



INDUSTRIAL EQUIPMENT

PARTS CATALOG
FOR MODELS

7BNCU15/18/20/25

Serial Number 50,001 and Up

CLICK HERE TO **DOWNLOAD** THE COMPLETE MANUAL

- Thank you very much for reading the preview of the manual.
- You can download the complete manual from: www.heydownloads.com by clicking the link below



- Please note: If there is no response to CLICKING the link, please download this PDF first and then click on it.

CLICK HERE TO **DOWNLOAD** THE COMPLETE MANUAL

Major Sections

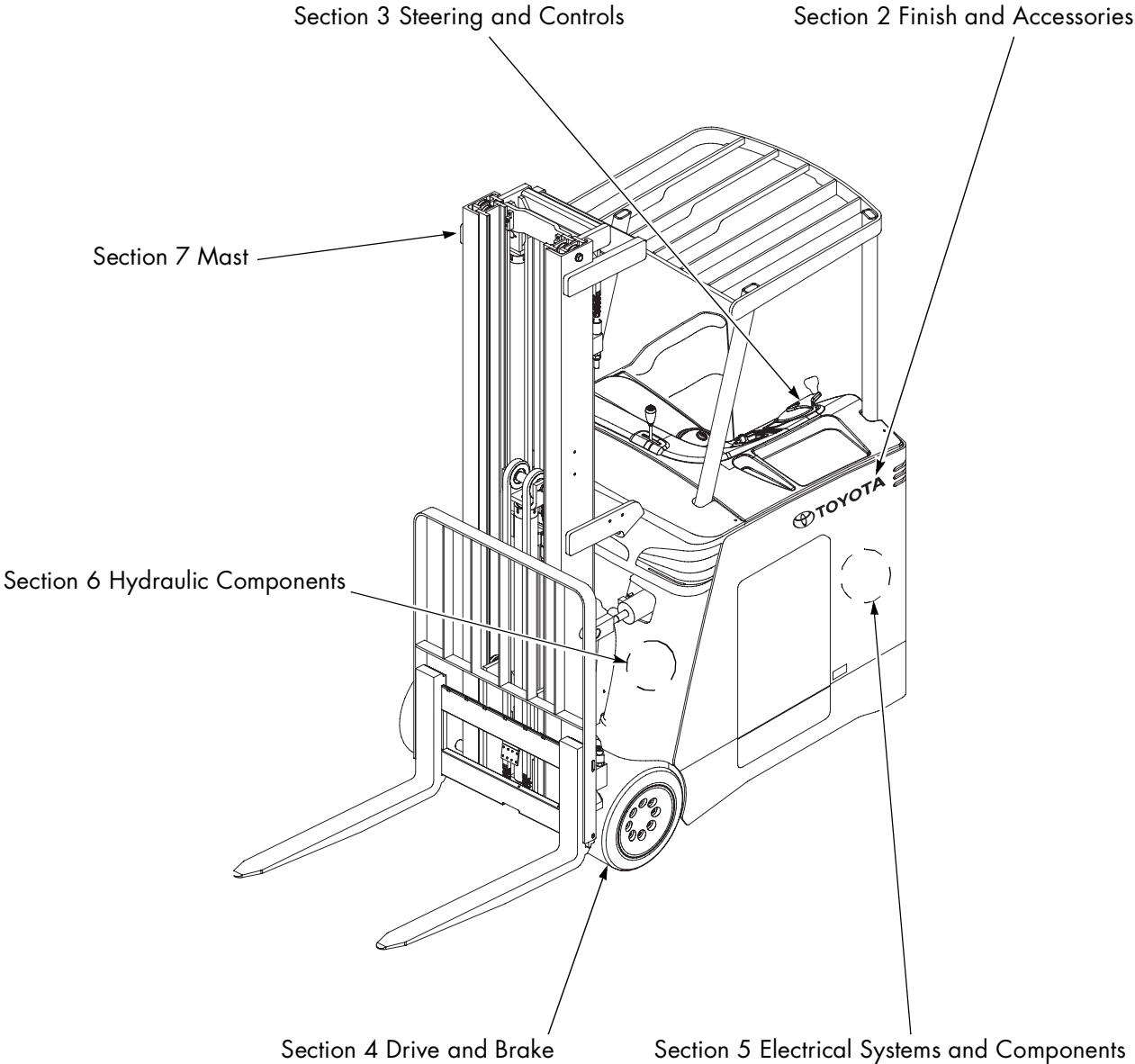


Figure 1-1: Major Sections

6365-005X

Power Section Mechanical Parts

FIGURE 2-2 ITEM NO.	QTY	PART NUMBER	DESCRIPTION	USED ON
1	1	00590-45375-71	Cover, Bracket	
2	2	00590-03421-71	Screw	
3	1	00590-44363-71	Shield, Tire, Right-Hand	A
4	1	00590-44364-71	Shield, Tire, Left-Hand	A
5	7	00590-03127-71	Screw	
6	4	00590-02940-71	Washer, Flat	
7	1	00590-45376-71	Cover, Bracket	
8	1	00590-45377-71	Cover, Bracket	
10	4	00590-03092-71	Washer, Flat	
11	4	00590-44507-71	Screw	
12	2	00590-03584-71	Nut	
13	2	00590-45378-71	Washer, Lock	
14	2	00590-42003-71	Screw	
15	2	00590-02973-71	Washer, Flat	
16	2	00590-45379-71	Strap, Static	
17	1	00590-44361-71	Bracket, Key Switch	
18	2	00590-44365-71	Screw	
19	4	00590-03422-71	Screw	
20	2	00590-45046-71	Washer, Flat	
21	1	00590-44362-71	Plate, Clamp	
22	1	00590-45380-71	Guard Weldment, Overhead	B
	1	00590-45381-71	Guard Weldment, Overhead	C
23	6	00590-03466-71	Screw	
24	1	00590-45382-71	Bracket, Mounting	

A= Standard Mast Only (Non-Quad Mast)

B= 83 in. OACH

C= 88 in. OACH

List 2-2: Power Section Mechanical Parts

FIGURE 2-3 ITEM NO.	QTY	PART NUMBER	DESCRIPTION	USED ON
6	1	00590-44367-71	Guard, Cable	
7	1	00590-39658-71	Screw	
12	1	Ref.	Plate, Type EE (Consult Technical Support)	E
14	1	00590-01265-71	Rivet, Tag	
15	1	00590-44380-71	Pad, Elbow	
16	1	00590-44370-71	Pad, Deadman Pedal	
17	1	00590-44360-71	Pad, Backseat	
18	1	00590-44372-71	Pad, Floor	
19	1	00590-44373-71	Cover Assembly, Console (Without High Speed Auxiliary) (includes:)	
	1	00590-39627-71	Clip	
20	1	00590-44374-71	Cover Assembly, Console (With High Speed Auxiliary) (includes:)	D
	1	00590-39627-71	Clip	
21	2	00590-44375-71	Screw	
22	14	00590-44376-71	Screw	
23	4	00590-44377-71	Screw	
24	2	00590-44378-71	Washer, Flat	
25	7	00590-44350-71	Nut, Retainer	
28	2	00590-44371-71	Decal, EE	E
29	2	00590-44369-71	Decal, Toyota	
30	1	00590-44341-71	Cover, Steer	
31	1	00590-44342-71	Cover, Eyebrow	A
32	1	00590-44343-71	Cover, Eyebrow	B
33	1	00590-44344-71	Cover, Eyebrow	C
34	1	00590-44345-71	Cover, Front, Left-Hand	
35	1	00590-44346-71	Cover, Knee	
36	1	00590-44347-71	Cover, Front, Center	
37	1	00590-44359-71	Cover, Front, Right-Hand	
39	1	00590-02770-71	Screw	D
40	1	00590-44349-71	Decal, Warning	
41	1	00590-44340-71	Brace, Cover (Without HAS)	
42	1	00590-44351-71	Brace, Cover (With HAS)	D
48	1	00590-44352-71	Decal, Warning	
44	1	00590-44353-71	Cover, HSA Handle	D
45	2	00590-44354-71	Decal, Warning	
46	1	00590-03578-71	Bag, Case	
47	1	00590-01255-71	Pocket	
48	1	00590-44355-71	Plate, Specification	
49	1	00590-44356-71	Decal, Control Handle (Standard)	
50	1	00590-44357-71	Decal, Control Handle (LSA)	

A= 18.5 in. Battery

B= 21.25 in. Battery

C= 23.75 in. Battery

D= High Speed Auxiliary (HSA)

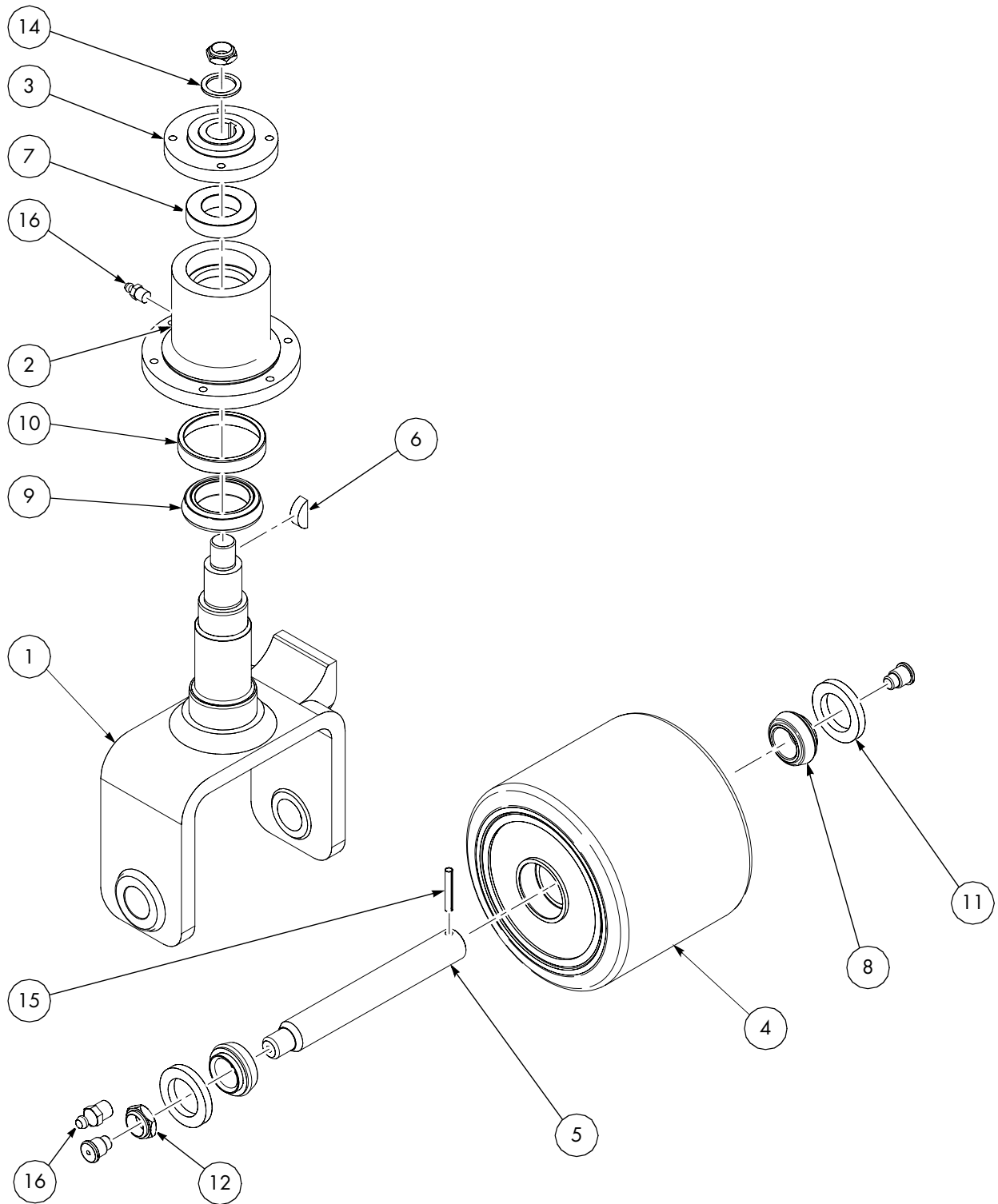
E= Electrically Enclosed (EE)

List 2-3: Finish Instructions (Sheet 1 of 2)

FIGURE 2-8 ITEM NO.	QTY	PART NUMBER	DESCRIPTION	USED ON
1	2	00590-00064-71	Washer	
2	2	00590-00065-71	Ring, Retainer	
3	2	00590-00063-71	Roller, Battery	
4	1	00590-44294-71	Shaft, Roller (18.31 in.)	
	1	00590-44295-71	Shaft, Roller (21.06 in.)	
	1	00590-44296-71	Shaft, Roller (23.56 in.)	
5	1	00590-44268-71	Spacer, Pipe (12.50 in.)	
	1	00590-44289-71	Spacer, Pipe (15.25 in.)	
	1	00590-44287-71	Spacer, Pipe (17.75 in.)	
	1	00590-44259-71	Spacer, Pipe (15.00 in.)	
	1	00590-44260-71	Spacer, Pipe (7.62 in.)	
	1	00590-44261-71	Spacer, Pipe (10.25 in.)	
	1	00590-44262-71	Spacer, Pipe (9.50 in.)	
6	1	00590-05313-71	Spacer, Pipe (0.50 in.)	
	1	00590-44263-71	Spacer, Pipe (2.88 in.)	

List 2-8: Roller Assembly

Steer Wheel Assembly



P123_003_235_D

Figure 3-2: Steer Wheel Assembly

FIGURE 4-1 ITEM NO.	QTY	PART NUMBER	DESCRIPTION	USED ON
3	1	00590-43600-71	Gear Reducer, Drive Unit, Right-Hand (See Figure 4-2.)	
4	1	00590-43601-71	Gear Reducer, Drive Unit, Left-Hand (See Figure 4-2.)	
5	6	00590-44536-71	Spacer, Brake Mount	
6	2	Ref.	Wheel, Hub Assembly (See Figure 4-3.)	
7	2	00590-44537-71	Spacer, Brake Rotor	
8	16	00590-44538-71	Bolt, Drive Tire	
9	2	00590-44539-71	Switch, Proximity	
11	2	00590-03422-71	Screw	
12	6	00590-02770-71	Screw	
13	6	00590-44540-71	Screw	
14	4	00590-03092-71	Washer, Flat	
15	4	00590-03088-71	Key, Woodruff	
16	12	00590-44541-71	Screw	
17	2	00590-03177-71	Nut	
18	2	00590-02881-71	Nut	
20	2	00590-45290-71	Motor, Traction (See Figure 5-9.)	A, B, C
	2	00590-45291-71	Motor, Traction (See Figure 5-10.)	D
	2	00590-44542-71	Motor, Traction (See Figure 5-11.)	E
21	2	00590-44514-71	Washer, Flat	
22	12	00590-44535-71	Washer, Flat, Hard	
23	2	00590-44533-71	Fitting, Reducer	
24	2	00590-02918-71	Plug, Mechanical	
25	2	00590-44505-71	Fitting, Air Vent	
26	2	00590-44506-71	Brake, Electric, 36 Volt (See Figure 4-5.)	
31	4	00590-44507-71	Screw	
32	8	00590-02940-71	Washer, Flat	
33	Ref.	00590-44515-71	Wrench, Spanner	
34	2	00590-44516-71	Shroud, Fan	
35	2	00590-44517-71	Spacer, Brake Mount	

A= 7BNCU15
 B= 7BNCU18
 C= 7BNCU20
 D= 7BNCU25
 E= Electrically Enclosed (EE)

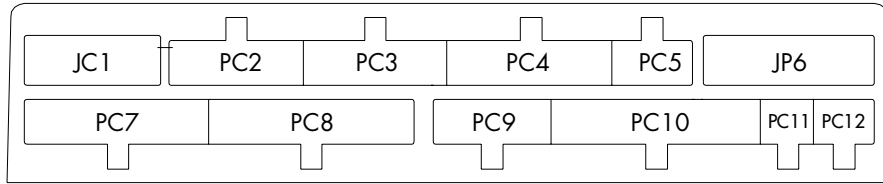
List 4-1: Drive and Brake Installation

FIGURE 4-6 ITEM NO.	QTY	PART NUMBER	DESCRIPTION	USED ON
1	1	00590-44545-71	Arm, Spring	
2	2	00590-44557-71	Rivet	
3	1	00590-44558-71	Bar, Pivot	
4	2	00590-44559-71	Bearing, Oilite	R
5	1	00590-44560-71	Bracket, Mounting	
6	1	00590-44561-71	Spring, Compression	R
7	1	00590-44562-71	Pedal Weldment	
8	1	00590-44563-71	Nut, Push	
9	1	00590-44502-71	Switch, Brake	R
10	2	00590-03628-71	Screw	
11	2	00590-44567-71	Washer	

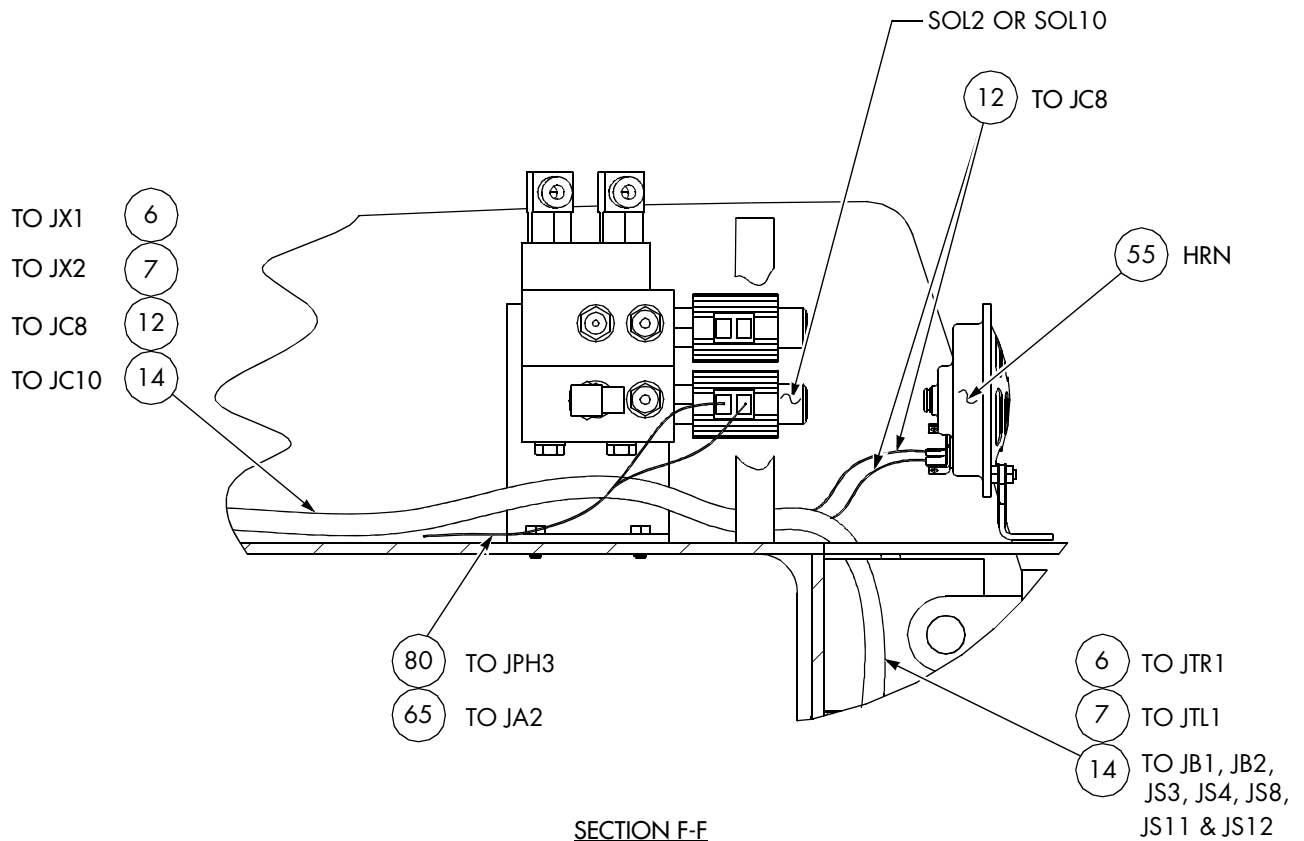
R= Recommended Spare

List 4-6: Deadman Brake Assembly

Electrical System



DETAIL G



SECTION F-F

P223-001-574-AB-4C, R223_001_574_AK03 SHT 7 OF 10

Figure 5-1g: Electrical System

FIGURE 5-2 ITEM NO.	QTY	PART NUMBER	DESCRIPTION	USED ON
1	2	00590-45299-71	Contactator (See Figure 5-3.)	R
2	2	00590-44496-71	Contactator (See Figure 5-3.)	R
3	8	00590-03093-71	Nut	
4	6	00590-03032-71	Screw	
5	1	00590-46360-71	Card Assembly, Fuse, Relay (includes: items 36 thru 38)	R
6	1	00590-44498-71	Plate, Contactator	
	1	00590-44499-71	Enclosure Weldment	A
7	1	00590-44500-71	Fuse (600 Amp)	R
8	1	00590-44501-71	Fuse (40 Amp)	R
9	1	00590-44473-71	Fuse (500 Amp)	R
11	2	00590-44494-71	Insulator, Standoff	
	6	00590-44492-71	Insulator, Standoff	A
12	1	00590-44464-71	Bar, Bus	
	1	00590-44465-71	Bar, Bus	A
13	8	00590-03434-71	Screw	A
	9	00590-03029-71	Screw	
14	1	00590-44466-71	Fuse (100 Amp)	
15	10	00590-44467-71	Screw	A
16	24	00590-02940-71	Washer	
17	24	00590-02840-71	Washer, Lock	
18	16	00590-03435-71	Nut	
19	1	00590-44468-71	Cover	
20	2	00590-45403-71	Bar, Bus	R
22	12	00590-44469-71	Screw	
23	2	00590-44470-71	Bar, Bus	
24	1	00590-47872-71	Bar, Bus	
25	1	00590-44472-71	Harness Assembly	
26	1	00590-44463-71	Harness Assembly	
27	1	00590-44474-71	Harness Assembly	
28	8	00590-44475-71	Screw	
29	1	00590-44476-71	Terminal Strip	
30	1	00590-44477-71	Insulator	
31	1	00590-44478-71	Decal	
32	2	00590-44479-71	Screw	
33	1	00590-01410-71	Terminal	
34	5	00590-03434-71	Screw	
35	2	00590-05283-71	Label	
36	2	00590-00552-71	Fuse (15 Amp) (FU5, FU6, FU7 and FU10)	
37	2	00590-03446-71	Fuse (5 Amp) (FU8 and FU9)	
38	3	00590-47884-71	Relay (K1, K2 and K3)	

A= EE

R= Recommended Spare

List 5-2: Contactor Panel Assembly

FIGURE 5-6 ITEM NO.	QTY	PART NUMBER	DESCRIPTION	USED ON
	1	00590-44115-71	Handle Assembly (Standard)	
1	1	00590-44105-71	Handle, Left-Hand	
2	1	00590-44099-71	Handle, Right-Hand	
3	1	00590-44100-71	Button, 4-Way, Raised	
4	1	00590-44101-71	Base, Spring	
5	1	00590-03405-71	Button, Reach Retract, Raised	
6	1	00590-44103-71	Button, Horn	
7	2	00590-03568-71	Spring, Horn, Reach	R
8	3	00590-44040-71	Switch	R
9	1	00590-43995-71	Handle, Base	
10	1	00590-44062-71	Cap, Base	
11	1	00590-43091-71	Spring, Travel	R
12	1	00590-44008-71	Yoke	
13	1	00590-44011-71	Arm, Yoke	
14	1	00590-44021-71	Ring, Retaining	
15	1	00590-44044-71	Potentiometer	
16	1	00590-44013-71	Arm	
17	1	00590-44005-71	Umbrella	
18	1	00590-44015-71	Ring, Retaining	
19	1	00590-44017-71	Card Assembly, SFC	R
20	1	00590-44018-71	Spring, 4-Way	R
21	2	00590-44019-71	Screw	
22	2	00590-43997-71	Screw, Connector	
23	1	00590-44014-71	Harness, Wiring	
24	5	00590-41968-71	Screw	
25	1	00590-43993-71	Pin	
26	1	00590-43994-71	Bolt, Shoulder	
27	2	00590-44004-71	Bolt, Shoulder	
28	1	00590-41971-71	Screw	
29	4	00590-43989-71	Screw	
31	1	00590-43999-71	Screw	
32	9 in.	00590-44000-71	Wire, Jumper	
34	1	00590-42984-71	Clamp	
36	1	00590-44003-71	Spring, Retract	R
39	6 in.	00590-00187-71	Tubing, Shrinkable	
42	2.25 in.	00590-43929-71	Tubing, Shrinkable	
43	1	00590-41928-71	Label	

R= Recommended Spare

List 5-6: Handle Assembly

FIGURE 5-11 ITEM NO.	QTY	PART NUMBER	DESCRIPTION	USED ON
		00590-44542-71	Motor, Traction (4K and 5K EE)	
1	1	00590-44207-71	Armature Kit	
2	1	00590-44037-71	Bearing and Snap Ring Kit	
3	1	00590-44129-71	Stator Kit (includes:)	
	1	00590-44239-71	Field Coil Kit	
4	1	00590-44107-71	End Head Assembly, Commutator (includes:)	
5	1	00590-44210-71	End Head Kit, Drive	
6	1	00590-44211-71	Brush Holder (includes:)	
	1	00590-44212-71	Brush Set	R
7	1	00590-44213-71	Spring Set	R
8	1	00590-44223-71	Fan, External	
9	1	00590-44215-71	Terminal, Power Kit	
10	1	00590-46458-71	Seal, Shaft	
11	1	00590-47857-71	Cover Kit (Not Shown)	

R= Recommended Spare

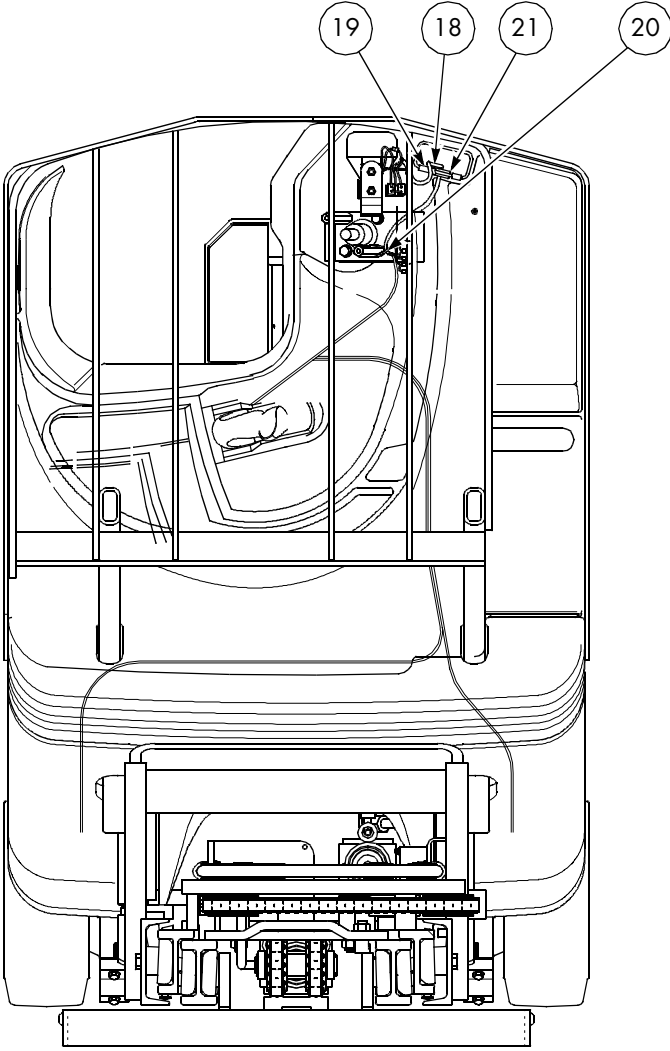
List 5-11: Traction Motor, 4K and 5K, EE

FIGURE 5-16 ITEM NO.	QTY	PART NUMBER	DESCRIPTION	USED ON
		00590-44227-71	Auxiliary Motor	
1	1	00590-44228-71	Brush Set	R
3	1	00590-44229-71	Spring Set	
4	1	00590-44230-71	Bearing and Snap Ring Kit	R

R= Recommended Spare

List 5-16: Auxiliary Motor

Working Light Installation



VIEW D-D

Figure 5-19e: Working Light Installation

P223-001-733-H6 SHT 5 OF 6

FIGURE 5-23 ITEM NO.	QTY	PART NUMBER	DESCRIPTION	USED ON
1	1	00590-44160-71	Bracket (83 in. OACH)	
	1	00590-44159-71	Bracket (88 in. OACH)	
	1	00590-44180-71	Bracket (95 in., 99 in. and 107 in. OACH)	
2	1	00590-44187-71	Bracket, Sensor	
3	1	00590-44186-71	Switch Assembly, Proximity	
4	2	00590-44185-71	Clamp, Hose	
5	4	00590-41863-71	Screw	
6	4	00590-03092-71	Washer, Flat	
8	22	00590-00811-71	Strap	
9	10	00590-00557-71	Anchor, Plastic Mount	

List 5-23: Lift Limit With Bypass Installation

FIGURE 6-1 ITEM NO.	QTY	PART NUMBER	DESCRIPTION	USED ON
1	1	00590-44189-71	Plug, Mechanical	
2	1	00590-44178-71	Reservoir Weldment	
3	1	00590-44157-71	Hose, Steer, Suction, Formed	
4	1	00590-44137-71	Hose, Suction, Auxiliary	
5	2	00590-47074-71	Hose Assembly	
7	1	00590-44123-71	Bracket, Auxiliary	
8	1	00590-44138-71	Hose, Lift, Suction	
9	1	Ref.	Manifold Assembly, Main (See Figure 6-3.)	
10	1	Ref.	Manifold Valve Assembly, High Speed (See Figure 6-7.)	B, C, D, F
11	1	Ref.	Manifold Assembly, Auxiliary (See Figure 6-5.)	B, C, E, F
12	1	00590-41882-71	Tray, Funnel	
13	1	00590-03189-71	Adapter, Filter	
14	1	00590-03551-71	Nut	
15	1	00590-03572-71	Ball	
16	8	00590-03029-71	Screw	
17	2	00590-03127-71	Screw	
18	2	00590-42003-71	Screw	
19	2	00590-03424-71	Screw	
20	6	00590-02940-71	Washer, Flat	
21	1	00590-03061-71	Filter, Element	R
22	4	00590-43234-71	Screw	
23	2	00590-47906-71	Clamp, Hose	
24	2	00590-44174-71	Clamp, Hose	
25	4	00590-03541-71	Clamp, Hose	
26	1	00590-03002-71	Cap, Filler, Breather	
27	1	00590-03441-71	O-Ring	R
28	1	00590-44238-71	Screw	
29	2	00590-03548-71	Hose, Drain	
30	1	00590-03567-71	Spring, Compression	R
31	1	00590-44237-71	Fitting, Hose	
32	1	00590-44236-71	Cap, Dust (Not Shown)	
33	1	Ref.	Guard, Hose	

A= Standard Mast (Without Auxiliary)
 B= Standard Mast (With Sideshift)
 C= Standard Mast (With HSA1)
 D= Standard Mast (With Sideshift, HSA1, HSA2)
 E= Quad Mast (With Sideshift)
 F= Quad Mast (HSA1)
 R= Recommended Spare

List 6-1: Hydraulic System

This Page Intentionally Blank

CLICK HERE TO **DOWNLOAD** THE COMPLETE MANUAL

- Thank you very much for reading the preview of the manual.
- You can download the complete manual from: www.heydownloads.com by clicking the link below



- Please note: If there is no response to CLICKING the link, please download this PDF first and then click on it.

CLICK HERE TO **DOWNLOAD** THE COMPLETE MANUAL

Manifold Assembly (High Speed Valve)

FIGURE 6-7 ITEM NO.	QTY	PART NUMBER	DESCRIPTION	USED ON
1	1	00590-45027-71	Line Assembly	
2	1	00590-45028-71	Line Assembly	
3	1	00590-45029-71	Manifold Assembly (High Speed) (See Figure 6-8.)	A
	1	00590-45306-71	Manifold Assembly (High Speed) (See Figure 6-8.)	B
4	1	00590-45030-71	Spool Assembly (See Figure 6-10.)	A
	1	00590-45031-71	Spool Assembly (See Figure 6-10.)	B
5	2	00590-45032-71	Screw	

A= Single Function

B= Dual Function

List 6-7: Manifold Assembly (High Speed Valve)

FIGURE 6-13 ITEM NO.	QTY	PART NUMBER	DESCRIPTION	USED ON
1	1	Ref.	Motor Assembly, Steer (See Figure 6-17.)	
2	1	Ref.	Motor Assembly, Lift (See Figure 6-14.)	
3	1	00590-45095-71	Fan, Lift Cooling	
4	1	00590-45096-71	Shroud Fan	
5	3	00590-45097-71	Standoff, Shroud	
6	8	00590-03435-71	Nut	
8	3	00590-46317-71	Screw	
9	1	00590-45111-71	Screw	
10	1	00590-00473-71	Washer, Flat	
11	1	00590-45100-71	Shroud Fan	

List 6-13: Lift and Steer Pump Motor Installation

FIGURE 6-19 ITEM NO.	QTY	PART NUMBER	DESCRIPTION	USED ON
		00590-47913-71	Orbitrol Valve	
1	1	00590-47914-71	Flange, Spigot	
2	6	00590-47915-71	Screw	
4	1	00590-47916-71	Seal, Dust	
6	1	00590-47917-71	Seal, Shaft	
7	1	00590-47918-71	O-Ring	
8	1	00590-47919-71	Bearing, Race	
9	1	00590-47920-71	Axle, Needle Bearing	
12	3	00590-47921-71	O-Ring	
13	1	00590-47922-71	Plate, Distributor	
14	1	00590-47923-71	Cover, End	
15	7	00590-47924-71	Washer	
16	1	00590-47925-71	Plug	
17	1	00590-47926-71	Washer	
19	1	00590-47927-71	Plate, Name	
22	2	00590-47928-71	Bearing, Needle (Not Shown)	
32	1	NSS	Housing	
33	1	NSS	Shaft, Output	
34	1	00590-47929-71	Key, Parallel	
35	1	00590-47930-71	Shaft, Drive	
37	7	00590-47931-71	Screw	
38	1	00590-47932-71	Gear, Wheel Set	
42	1	00590-47933-71	Plug, Port	
82	1	NSS	Spool With Pin (Not Shown)	

NSS= Not Sold Separately

List 6-19: Orbitrol Valve

Main Lift Cylinder (Two Stage, 3K and 3.5K)

FIGURE 6-25 ITEM NO.	QTY	PART NUMBER	DESCRIPTION	USED ON
	1	00590-45367-71	Cylinder, Main Lift (83 in. OACH)	
	1	00590-44951-71	Cylinder, Main Lift (88 in. OACH)	
2	1	00590-44952-71	Piston, Plated (83 in. OACH)	
	1	00590-44953-71	Piston, Plated (88 in. OACH)	
4	1	00590-44942-71	Seal, Square	
5	1	00590-44943-71	Seal, Piston	
6	1	00590-44944-71	Seal, Wiper	
7	1	00590-46092-71	Screw	
8	1	00590-03060-71	Ring, Back-Up	
9	1	00590-03438-71	Valve, Hydraulic Flow Control	
10	1	00590-44945-71	Elbow 90 Degree	
11	1	00590-44957-71	Cap, Piston	
13	1	00590-44947-71	Stop, Piston, Ring	
14	1	00590-44937-71	Plug, Mechanical	
15	2	00590-44954-71	Chain, Anchor	

List 6-25: Main Lift Cylinder (Two Stage, 3K and 3.5K)

Toyota Stand-Up End-Controlled Counterbalance, Model 7BNCU15/18/20/25 - Hydraulic Components

Main Lift Cylinder, Right-Hand (Two Stage, 5K Only)

FIGURE 6-30 ITEM NO.	QTY	PART NUMBER	DESCRIPTION	USED ON
	1	00590-45359-71	Cylinder Assembly (77 in. OACH)	
	1	00590-45358-71	Cylinder Assembly (83 in. OACH)	
	1	00590-45357-71	Cylinder Assembly (88 in. OACH)	
	1	00590-45356-71	Cylinder Assembly (95 in. OACH)	
1	1	NSS	Housing Weldment	
2	1	00590-45006-71	Piston	
3	1	NSS	Wire, Pull-In	A
4	1	00590-45007-71	Sleeve	
5	1	00590-45008-71	Ring, Retaining	
6	1	NSS	Seal, Washer	A
7	1	NSS	Screw, Bleed	A
8	1	NSS	Spacer	A
9	1	00590-45009-71	Retainer	
10	1	NSS	Ring, Wear	A
11	1	NSS	Ring, Back-Up	A
12	1	NSS	Seal, Piston	A
13	1	NSS	Ring, Back-Up	A
14	1	NSS	Ring, Back-Up	A
15	1	NSS	Seal, Rod	A
16	1	NSS	Wiper	A
17	1	00590-44978-71	Plug	
18	1	NSS	Plunger Assembly	
19	1	00590-45010-71	Service Kit (Not Shown)	

A= Included in Item 19

NSS= Not Sold Separately

List 6-30: Main Lift Cylinder, Right-Hand (Two Stage, 5K Only)

Toyota Stand-Up End-Controlled Counterbalance, Model 7BNCU15/18/20/25 - Hydraulic Components

Free Lift Cylinder (Quad Mast, Serial Number 1377 and Up*)

FIGURE 6-35 ITEM NO.	QTY	PART NUMBER	DESCRIPTION	USED ON
	1	00590-45336-71	Cylinder Assembly (77 in. OACH)	
	1	00590-45337-71	Cylinder Assembly (83 in. OACH)	
	1	00590-45338-71	Cylinder Assembly (89 in. OACH)	
	1	00590-45339-71	Cylinder Assembly (93 in. OACH)	
	1	00590-45340-71	Cylinder Assembly (98 in. OACH)	
1	1	NSS	O-Ring	A
2	1	NSS	Seal, Rod	A
3	1	NSS	Wiper	A
4	1	NSS	O-Ring	A
5	1	NSS	Ring, Back-Up	A
6	1	NSS	Seal, Piston	A
7	1	NSS	O-Ring	A
8	1	NSS	Ring, Wear	A
9	1	00590-45011-71	Seal Kit (Not Shown)	
10	1	00590-44982-71	Wire, Pull	
11	1	N/A	Plug (Not Shown)	
12	1	00590-44983-71	Valve, Check	
13	1	N/A	Pin, Roll	
14	1	N/A	Tube, Hydraulic	
15	1	N/A	Housing, Assembly	
16	1	N/A	Rod, Piston	
17	1	00590-44984-71	Retainer	
18	1	N/A	Piston	
19	1	00590-44985-71	Plug	
20	1	00590-44986-71	Ring, Snap	
21	1	00590-44987-71	Fitting	

A= Included in Item 7

N/A= Not Available

NSS= Not Sold Separately

*Note: Serial Number Stamped on MAST

List 6-35: Free Lift Cylinder (Quad Mast, Serial Number 1377 and Up*)

SECTION 7 Mast

Elevating Section (Two Stage, 3K Only)	7-3
Mast Finish Instructions	7-7
Elevating Section (Two Stage, 4K Only)	7-10
Carriage (4 Roller), One Auxiliary Function Only	7-14
Carriage (6 Rollers), Class II	7-16
Lowering Control Valve (Two Stage, 4K Only)	7-19
Internal Hose Reeving (Two Stage, 4K Only)	7-20
Mast Installation (Two Stage, 4K Only)	7-22
Mast Finish Instructions (Two Stage, 5K Only)	7-25
Mast Assembly (Two Stage, 5K Only)	7-26
Lowering Control Valve (Two Stage, 5K Only)	7-29
Carriage, Class II (6 Rollers, Two Stage, 5K Only)	7-30
Internal Hose Reeving (Two Stage, 5K Only)	7-32
Elevating Section (Three Stage)	7-35
Mast Finish Instructions (Quad Mast Only)	7-41
Hoist Chains and Free Lift Hoses (Quad Mast Only)	7-42
Mast Assembly (Quad Mast Only)	7-44
Control Valve, Lowering (Quad Mast Only)	7-47
Carriage, Class II (Quad Mast Only)	7-48
Internal Hose Reeving Group (Single, Quad Mast Only)	7-51
Internal Hose Reeving Group (Double, Quad Mast Only)	7-55
Mast Tilt Assembly	7-59
Sideshift Carriage Installation (Three Stage)	7-62
Sideshift Carriage Installation (Two Stage)	7-66
Sideshift Carriage Assembly (Cascade)	7-72
Sideshift Carriage Assembly (Bolzoni)	7-74
High Speed Auxiliary Installation	7-76
Standoff Assembly	7-81
Fork Assembly	7-84

Toyota Stand-Up End-Controlled Counterbalance, Model 7BNCU15/18/20/25 - Mast

Elevating Section (Two Stage, 4K Only)

FIGURE 7-3 ITEM NO.	QTY	PART NUMBER	DESCRIPTION	USED ON
1	1	00590-45266-71	Chain Assembly, Lift (77 in. OACH) (Not Shown)	
	1	00590-45278-71	Chain Assembly, Lift (83 in. OACH) (Not Shown)	
	1	00590-45279-71	Chain Assembly, Lift (89 in. OACH) (Not Shown)	
	1	00590-45280-71	Chain Assembly, Lift (95 in. OACH) (Not Shown)	
2	1	00590-45281-71	Retainer, Free Lift Ram	
4	1	00590-45282-71	Bracket, Lift Cylinder Mounting	
5	2	00590-45283-71	Bumper	
6	2	00590-45284-71	Screw	
7	3	00590-45285-71	Screw	
8	2	00590-45286-71	Screw	
9	4	00590-45255-71	Screw (Not Shown)	
10	4	00590-45253-71	Screw	
11	4	00590-45275-71	Chain Anchor	
12	2	00590-45246-71	Guard, Chain	
13	2	00590-45247-71	Clamp	
14	2	00590-45248-71	Pin, Cotter	
15	4	00590-45249-71	Pin, Cotter	
16	1	00590-45250-71	Crosshead	
17	1	00590-44990-71	Valve, Flow Control (16.7 GPM)	
18	1	00590-45251-71	Valve, Flow Control (20.5 GPM)	
19	1	00590-45252-71	Fitting	
20	1	00590-45265-71	Fitting	
21	1	00590-45254-71	Fitting	
22	2	00590-45244-71	Nut	
23	3	00590-45256-71	Clamp, Hose	
24	4	00590-45257-71	Nut, Jam	
25	7	00590-45258-71	Washer, Lock	
26	4	00590-45259-71	Washer, Lock (Not Shown)	
27	4	00590-45260-71	Washer, Lock	
28	2	00590-45261-71	Screw	
29	4	00590-45262-71	Nut, Jam	
30	4	00590-45263-71	Pin	
31	2	00590-45264-71	Plug, Wear	
33	8	00590-45189-71	Bearing, Mast Roller	
34	2	00590-45132-71	Sheave, Chain	
35	1	00590-45220-71	Shim, Wear Plug	
36	6	00590-45136-71	Shim, Load Roller	
37	6	00590-45137-71	Shim, Cylinder	
38	2	00590-45138-71	Ring, Snap	
39	1	00590-44986-71	Ring, Snap	
40	2	00590-45139-71	Ring, Snap	
42	AR	00590-45140-71	Shim, Cylinder	
43	1	00590-45141-71	Outer Upright (77 in. OACH)	
	1	00590-45142-71	Outer Upright (83 in. OACH)	
	1	00590-45155-71	Outer Upright (89 in. OACH)	

List 7-3: Elevating Section (Two Stage, 4K Only) (Sheet 1 of 2)

Toyota Stand-Up End-Controlled Counterbalance, Model 7BNCU15/18/20/25 - Mast

Internal Hose Reeving (Two Stage, 4K Only)

FIGURE 7-7 ITEM NO.	QTY	PART NUMBER	DESCRIPTION	USED ON
1	1	00590-45119-71	Upper Guide, Left-Hand (77 in. OACH)	
	1	00590-45120-71	Upper Guide, Left-Hand (83 in. OACH)	
	1	00590-45133-71	Upper Guide, Left-Hand (89 in. OACH)	
	1	00590-45122-71	Upper Guide, Left-Hand (95 in. OACH)	
	1	00590-45112-71	Upper Guide, Left-Hand (77 in. OACH)	
	1	00590-45112-71	Upper Guide, Left-Hand (83 in. OACH)	
	1	00590-45124-71	Upper Guide, Left-Hand (89 in. OACH)	
2	1	00590-45125-71	Upper Guide, Left-Hand (95 in. OACH)	
	1	00590-45126-71	Upper Guide, Right-Hand (77 in. OACH)	
	1	00590-45127-71	Upper Guide, Right-Hand (83 in. OACH)	
	1	00590-45128-71	Upper Guide, Right-Hand (89 in. OACH)	
	1	00590-45129-71	Upper Guide, Right-Hand (95 in. OACH)	
	1	00590-45130-71	Upper Guide, Right-Hand (77 in. OACH)	
	1	00590-45130-71	Upper Guide, Right-Hand (83 in. OACH)	
	1	00590-45131-71	Upper Guide, Right-Hand (89 in. OACH)	
	1	00590-45157-71	Upper Guide, Right-Hand (95 in. OACH)	
3	2	00590-45113-71	Hose (77 in. OACH)	
	2	00590-45145-71	Hose (83 in. OACH)	
	2	00590-45179-71	Hose (89 in. OACH)	
	2	00590-45180-71	Hose (95 in. OACH)	
4	AR	00590-45181-71	Fitting	A
5	AR	00590-45182-71	Fitting	A
6	AR	00590-45183-71	Fitting	A
7	1	00590-45184-71	Screw, Cap	A
8	1	00590-45185-71	Washer, Lock	A
9	1	00590-45186-71	Guard	A
10	1	00590-45199-71	Sheave, Hose	A
11	6	00590-45286-71	Screw, Cap	A
12	7	00590-45258-71	Washer, Lock	A
13	4	00590-45188-71	Clamp	A
14	1	00590-45178-71	Spacer	A
15	2	00590-45190-71	Screw, Cap	A
16	1	00590-45191-71	Bar	A
17	1	00590-45192-71	Screw, Cap	A
18	2	00590-45193-71	Cap	A
19	2	00590-45194-71	Cap	A

A= Double Quantities For Double Reeving

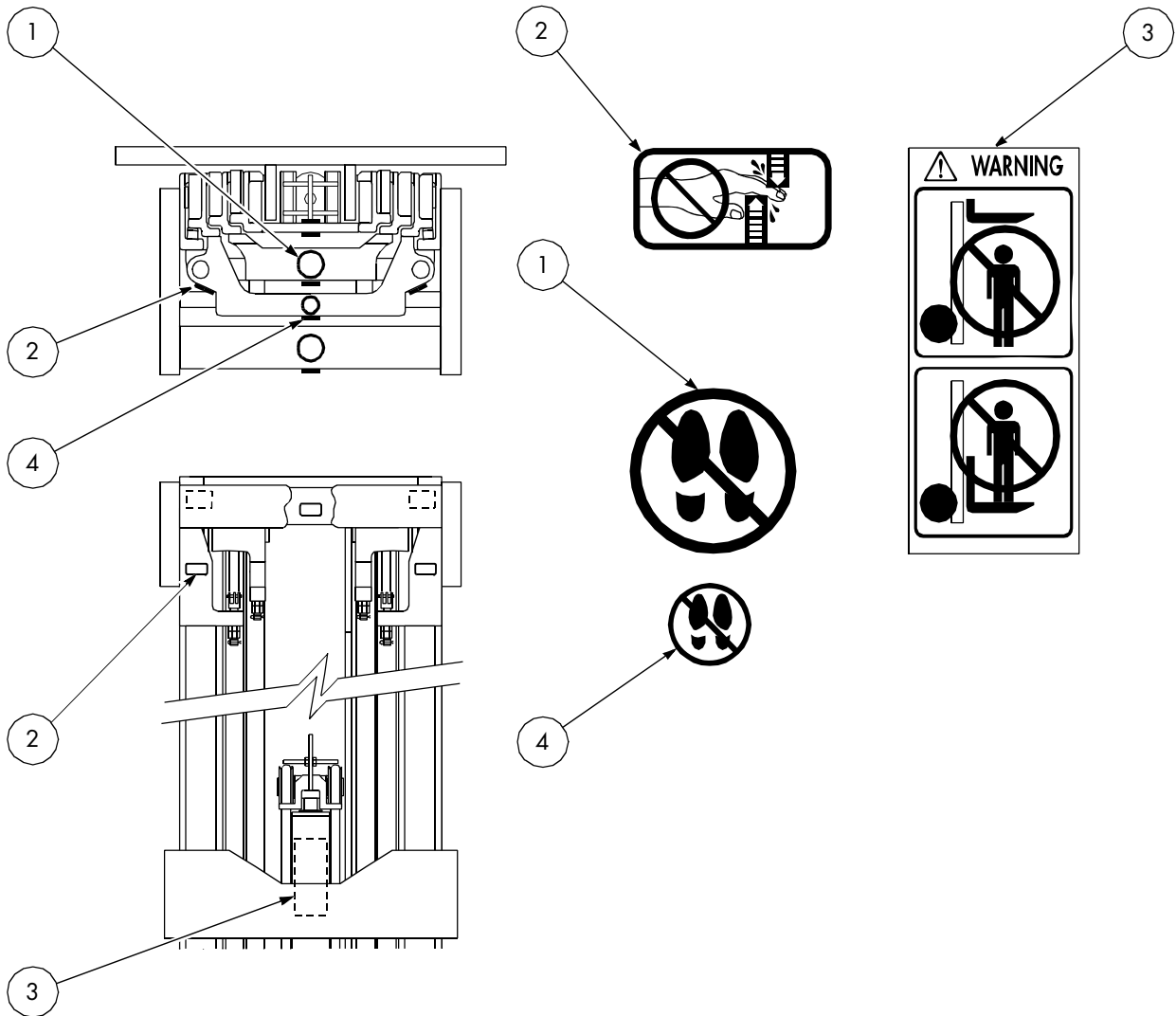
List 7-7: Internal Hose Reeving (Two Stage, 4K Only)

Toyota Stand-Up End-Controlled Counterbalance, Model 7BNCU15/18/20/25 - Mast
 Carriage, Class II (6 Rollers, Two Stage, 5K Only)

FIGURE7-12 ITEM NO.	QTY	PART NUMBER	DESCRIPTION	USED ON
	1	00590-45319-71	Carriage Class II (31 in.)	
	1	00590-45318-71	Carriage Class II (37 in.)	
	1	00590-45317-71	Carriage Class II (41 in.)	
1	4	00590-45255-71	Screw, Cap	
2	4	00590-45259-71	Washer, Lock	
3	4	00590-45153-71	Roller	
4	2	00590-45248-71	Pin, Cotter	
5	2	00590-45123-71	Chain Pin	
6	4	00590-45249-71	Pin, Cotter	
7	2	00590-45154-71	Anchor, Chain	
8	AR	00590-45136-71	Shim	
9	4	00590-45189-71	Bearing, Roller	
	2	00590-45257-71	Nut, Jam	
10	2	00590-45262-71	Nut	
13	2	00590-45143-71	Retainers	
14	4	00590-45114-71	Screw, Cap	
15	2	00590-45115-71	Roller	
16	1	00590-45121-71	Fork, Stop Kit (Not Shown)	

List 7-12: Carriage, Class II (6 Rollers, Two Stage, 5K Only)

Mast Finish Instructions (Quad Mast Only)



35D SAFETY DECALS

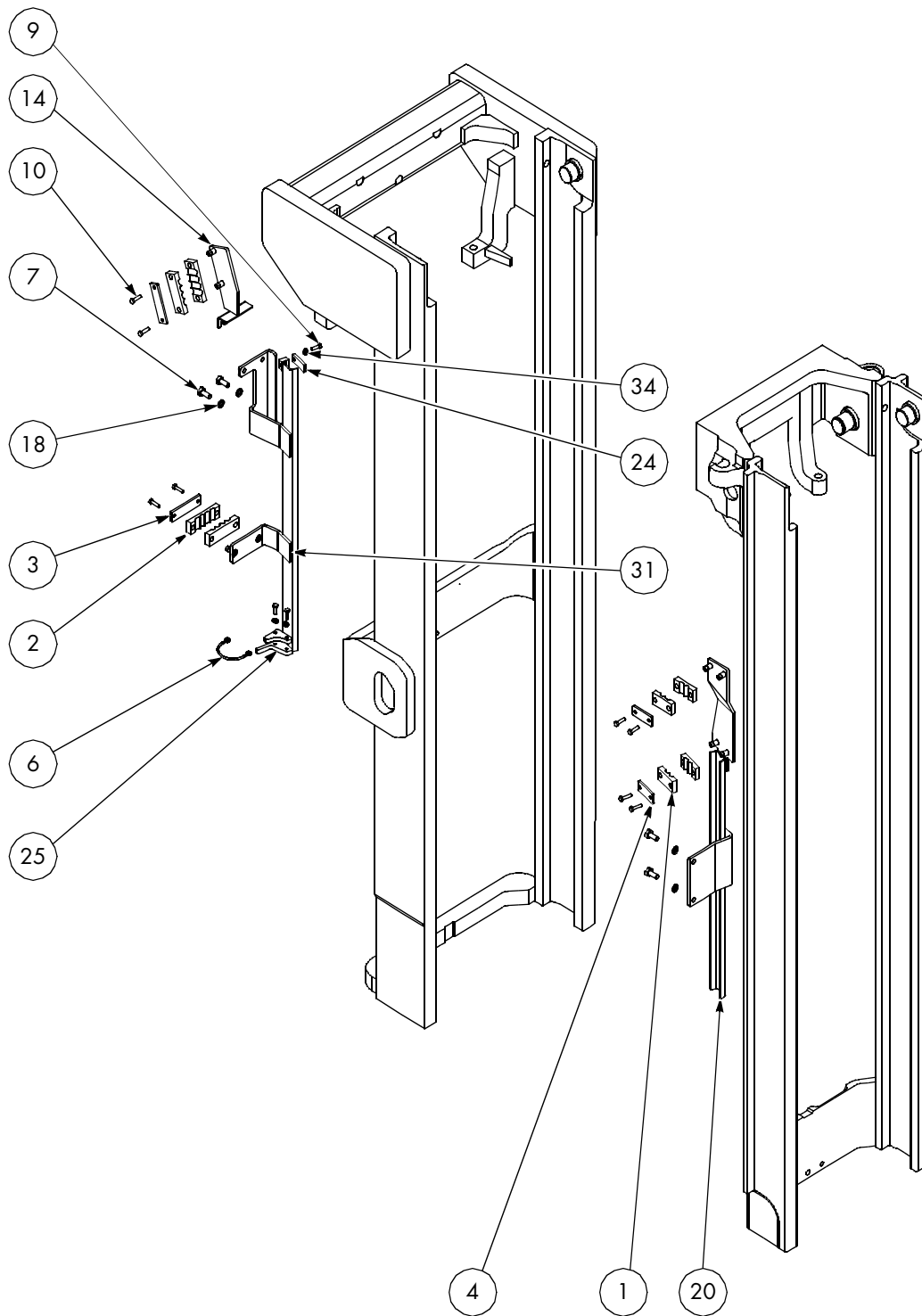
Figure 7-15: Mast Finish Instructions (Quad Mast Only)

FIGURE 7-15 ITEM NO.	QTY	PART NUMBER	DESCRIPTION	USED ON
1	2	00590-45271-71	Decal, No Step	
2	9	00590-45270-71	Decal, Hands Off	
3	1	00590-45272-71	Decal, Warning	
4	1	00590-45273-71	Decal, No Step	
5	1	00590-45276-71	Mast Mounting Kit (Not Shown)	
6	1	00590-44757-71	Slack Chain Valve Kit (Not Shown) (includes:)	A
	1	00590-44758-71	Slack Chain Valve (No Available Spare Parts)	A

A= Optional

List 7-15: Mast Finish Instructions (Quad Mast Only)

Internal Hose Reeving Group (Single, Quad Mast Only)



1012609A-723-1 SHT 1 OF 2

Figure 7-20a: Internal Hose Reeving Group (Single, Quad Mast Only)

FIGURE 7-22 ITEM NO.	QTY	PART NUMBER	DESCRIPTION	USED ON
1	2	00590-44880-71	Anchor, Tilt Cylinder (3.85 in. Long)	A, C
	2	00590-44851-71	Anchor, Tilt Cylinder (4.85 in. Long)	A, B
	2	00590-44852-71	Anchor, Tilt Cylinder (5.85 in. Long)	B
2	2	Ref	Ram Assembly, Tilt, Bottlers Tilt (See Figure 6-38b.)	C
	2	Ref	Ram Assembly, Tilt (See Figure 6-38a.)	A, B
3	2	00590-44853-71	Ring, Retaining	
4	2	00590-44854-71	Bushing, Oil Impreg	R
5	2	00590-44855-71	Nut	
6	1	00590-44856-71	Elbow, 90 Degree	
7	4	00590-45062-71	Adapter, Hydraulic	
8	2	00590-44857-71	Pin, Cotter	
9	2	00590-44870-71	Pin, Clevis	
12	2	00590-44580-71	Bearing	
13	6	00590-44581-71	Washer	
14	2	00590-47907-71	Clamp, Hose	
15	1	00590-44187-71	Bracket	
16	1	00590-47883-71	Sensor-Proximity	
17	1	00590-45276-71	Mast Mounting Kit (Not Shown)	

A= 3 Degree Forward, 5 Degree Back

B= 5 Degree Forward, 3 Degree Back

C= 10 Degree Forward, 3 Degree Back

List 7-22: Mast Tilt Assembly

Toyota Stand-Up End-Controlled Counterbalance, Model 7BNCU15/18/20/25 - Mast

Sideshift Carriage Installation (Two Stage)

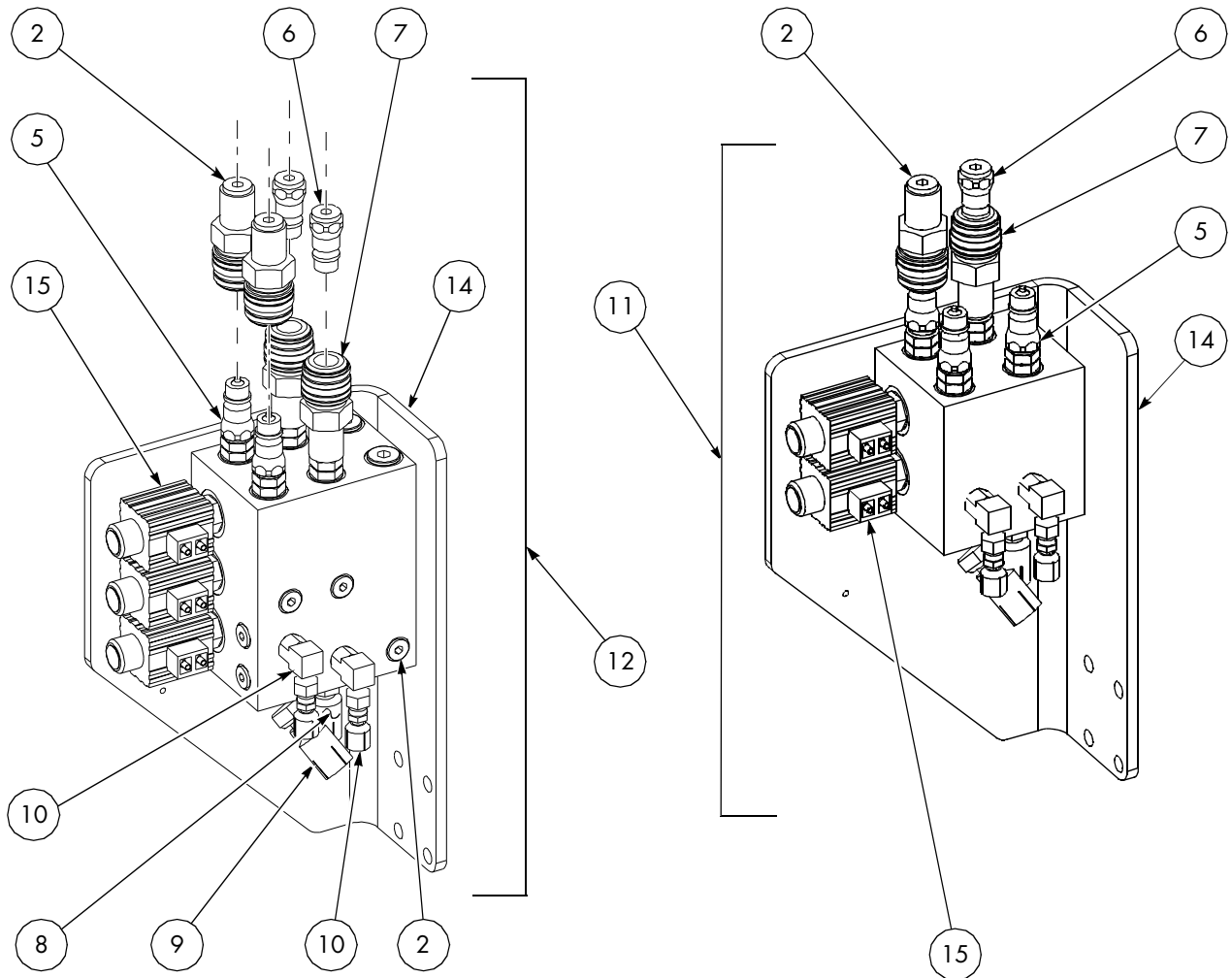
FIGURE 7-24 ITEM NO.	QTY	PART NUMBER	DESCRIPTION	USED ON
1	2	00590-44927-71	Hose Assembly	A
	1	00590-47909-71	Hose Assembly	B
4	1	00590-45602-71	Sideshift Carriage Assembly (37 in. Wide Bolzoni)	
	1	00590-45600-71	Sideshift Carriage Assembly (32 in. Wide Bolzoni)	
	1	00590-44863-71	Sideshift Carriage Assembly (32 in. Wide Cascade)	
	1	00590-44864-71	Sideshift Carriage Assembly (37 in. Wide Cascade)	
5	2	00590-44928-71	Elbow, 90 Degree	
6	2	00590-44929-71	Hose Assembly	B
9	2	00590-03207-71	Screw	
10	2	00590-03085-71	Screw	
11	4	00590-02992-71	Nut	
16	4	00590-44933-71	Pulley, Sideshift	
17	2	00590-44934-71	U-Bolt	
18	2	00590-44935-71	Line Assembly	
19	4	00590-44904-71	Cap, Tubing Clamp	
20	1	00590-44902-71	Spacer, Tubing Clamp	
21	1	00590-44924-71	Clamp Hose	
22	2	00590-00811-71	Strap	
24	2	00590-44895-71	Bracket, Hose Retainer	
28	2	00590-44925-71	Screw, Flow Control	

A= 83 in. OACH

B= 88 in. OACH

List 7-24: Sideshift Carriage Installation (Two Stage)

Standoff Assembly



VIEW A

2 AUXILIARY FUNCTIONS
WITH FACTORY INSTALLED SIDESHIFT

VIEW B

1 OR 2 AUXILIARY FUNCTIONS
WITH FACTORY INSTALLED SIDESHIFT

P223-001-997B_VIEW A, P223-001-997-B-2X SHT 1 OF 2

Figure 7-28a: Standoff Assembly

Toyota Stand-Up End-Controlled Counterbalance, Model 7BNCU15/18/20/25- Alphabetical Parts Index

Description	Part No.	Page	Description	Part No.	Page
Cylinder Assembly, Main Lift, Right (99 in. OACH)	00590-45347-71	6-55	Decal, Control	00590-44419-71	2-21
Cylinder, Free Lift (83 in. OACH)	00590-45321-71	6-57	Decal, EE	00590-44371-71	2-17
Cylinder, Free Lift (88 in. OACH)	00590-44938-71	6-57	Decal, Hands Off	00590-45270-71	7-41
Cylinder, Free Lift (96 in. OACH)	00590-45368-71	6-57	Decal, High Speed Auxiliary, Handle	00590-44411-71	2-21
Cylinder, Free Lift	00590-44938-71	7-5	Decal, Light	00590-44151-71	5-61
Cylinder, Free Lift	00590-45321-71	7-5	Decal, No Hand Hold	00590-45270-71	7-25
Cylinder, Free Lift	00590-45351-71	6-73	Decal, No Step	00590-45272-71	7-25
Cylinder, Main Lift (83 in. OACH)	00590-45367-71	6-59	Decal, No Step	00590-45273-71	7-25
Cylinder, Main Lift (88 in. OACH)	00590-44951-71	6-59	Decal, No Step	00590-45271-71	7-41
Cylinder, Main Lift	00590-45367-71	7-5	Decal, No Step	00590-45273-71	7-41
Cylinder, Main Lift	00590-44951-71	7-5	Decal, Toyota	00590-44348-71	2-18
Cylinder, Main Lift, Right-Hand (77 in. OACH)	00590-45331-71	6-81	Decal, Toyota	00590-44369-71	2-17
Cylinder, Main Lift, Right-Hand (83 in. OACH)	00590-45332-71	6-81	Decal, Toyota	00590-44421-71	2-18
Cylinder, Main Lift, Right-Hand (89 in. OACH)	00590-45333-71	6-81	Decal, Warning - Trapped Air	00590-45274-71	7-9
Cylinder, Main Lift, Right-Hand (93 in. OACH)	00590-45334-71	6-81	Decal, Warning	00590-41810-71	2-18
Cylinder, Main Lift, Right-Hand (95 in. OACH)	00590-45335-71	6-81	Decal, Warning	00590-44266-71	2-30
Cylinder, Main, Left-Hand (107 in. OACH)	00590-45343-71	6-77	Decal, Warning	00590-44349-71	2-17
Cylinder, Main, Left-Hand (83 in. OACH)	00590-45341-71	6-77	Decal, Warning	00590-44352-71	2-17
Cylinder, Main, Left-Hand (88 in. OACH)	00590-45344-71	6-77	Decal, Warning	00590-44354-71	2-17
Cylinder, Main, Left-Hand (95 in. OACH)	00590-45345-71	6-77	Decal, Warning	00590-44379-71	2-18
Cylinder, Main, Left-Hand (99 in. OACH)	00590-45342-71	6-77	Decal, Warning	00590-44402-71	2-18
Cylinder, Main, Right-Hand (107 in. OACH)	00590-45348-71	6-75	Decal, Warning	00590-44403-71	2-18
Cylinder, Main, Right-Hand (83 in. OACH)	00590-45346-71	6-75	Decal, Warning	00590-44404-71	2-18
Cylinder, Main, Right-Hand (88 in. OACH)	00590-45349-71	6-75	Decal, Warning	00590-44405-71	2-18
Cylinder, Main, Right-Hand (95 in. OACH)	00590-45350-71	6-75	Decal, Warning	00590-45287-71	7-25
Cylinder, Main, Right-Hand (99 in. OACH)	00590-45347-71	6-75	Decal, Warning, Carriage Stop	00590-45169-71	7-25
Cylinder, Sideshift Assembly	00590-44898-71	7-73	Decal, Warning	00590-45272-71	7-41
Dampener, Main Lift	00590-44750-71	7-40	Decal, Warning	00590-45272-71	7-9
Decal	00590-44406-71	2-18	Decal, Warning	00590-45287-71	7-9
Decal	00590-44478-71	5-19	Disc, Friction	00590-44551-71	4-13
Decal, Cold Storage	00590-47871-71	2-18	Display, Operator	00590-44069-71	5-23
Decal, Control Handle (HSA)	00590-44389-71	2-18	Door Weldment	00590-44275-71	2-30
Decal, Control Handle (LSA)	00590-44357-71	2-17	Door, Battery, Left-Hand	00590-44264-71	2-29
Decal, Control Handle (Standard)	00590-44356-71	2-17	Door, Battery, Left-Hand	00590-44265-71	2-29
Decal, Control Handle	00590-44356-71	2-21	Door, Battery, Left-Hand	00590-44277-71	2-29
Decal, Control Handle	00590-47902-71	2-21	Door, Battery, Right-Hand	00590-44258-71	2-29
Decal, Control	00590-44391-71	2-21	Door, Battery, Right-Hand	00590-44267-71	2-29
Decal, Control	00590-44401-71	2-21	Door, Battery, Right-Hand	00590-44269-71	2-29
Decal, Control	00590-44412-71	2-21	Drive End Head Kit	00590-44199-71	5-41
Decal, Control	00590-44413-71	2-21	Elbow 90 Degree	00590-44945-71	6-59
Decal, Control	00590-44414-71	2-21	Elbow	00590-39599-71	6-21
Decal, Control	00590-44415-71	2-21	Elbow, 45 Degree	00590-44843-71	7-83
Decal, Control	00590-44416-71	2-21	Elbow, 90 Degree	00590-44087-71	6-21
Decal, Control	00590-44417-71	2-21	Elbow, 90 Degree	00590-44057-71	6-21
Decal, Control	00590-44418-71	2-21	Elbow, 90 Degree	00590-44081-71	6-21
			Elbow, 90 Degree (V1)	00590-44945-71	6-21
			Elbow, 90 Degree Swivel	00590-44106-71	6-18
			Elbow, 90 Degree	00590-44057-71	6-31
			Elbow, 90 Degree	00590-44081-71	6-31
			Elbow, 90 Degree	00590-44087-71	6-25
			Elbow, 90 Degree	00590-44090-71	6-34
			Elbow, 90 Degree	00590-44109-71	6-25
			Elbow, 90 Degree	00590-44301-71	3-3
			Elbow, 90 Degree	00590-44844-71	7-83
			Elbow, 90 Degree	00590-44856-71	7-61
			Elbow, 90 Degree	00590-44928-71	7-71
			Elbow, 90 Degree	00590-44945-71	6-57
			Elbow, 90 Degree	00590-45034-71	6-31
			Elbow, 90 Degree	00590-45061-71	6-25
			Elbow, 90 Degree	00590-45069-71	6-34
			Elbow, 90 Degree, Swivel	00590-47905-71	6-31

Toyota Stand-Up End-Controlled Counterbalance, Model 7BNCU15/18/20/25- Alphabetical Parts Index

Description	Part No.	Page	Description	Part No.	Page
Shaft, Roller (21.06 in.)	00590-44295-71	2-27	Sideshift Carriage Assembly (32 in. Wide Cascade)	00590-44863-71	7-65
Shaft, Roller (23.56 in.)	00590-44296-71	2-27	Sideshift Carriage Assembly (32 in. Wide Cascade)	00590-44863-71	7-71
Shaft, Seal	00590-46458-71	5-35	Sideshift Carriage Assembly (37 in. Wide Bolzoni)	00590-45602-71	7-65
Shaft, Steer	00590-46996-71	3-3	Sideshift Carriage Assembly (37 in. Wide Cascade)	00590-44864-71	7-71
Shaft, Stub	00590-44637-71	7-53	Sideshift Carriage Assembly (37 in. Wide Cascade)	00590-44864-71	7-71
Shaft, Stub	00590-44885-71	7-57	Slack Chain Valve Kit	00590-44757-71	7-41
Sheave Assembly	00590-44598-71	7-45	Slack Chain Valve	00590-44758-71	7-41
Sheave	00590-44626-71	7-45	Sleeve	00590-45007-71	6-63
Sheave	00590-44627-71	7-45	Sleeve	00590-45007-71	6-65
Sheave	00590-44635-71	7-53	Sleeve	00590-45007-71	6-69
Sheave	00590-44635-71	7-57	Sleeve	00590-45007-71	6-71
Sheave	00590-44636-71	7-53	Sleeve, Pulley	00590-44715-71	7-39
Sheave	00590-44884-71	7-57	Sleeve, Pulley	00590-44715-71	7-65
Sheave	00590-45132-71	7-45	Sleeve, Pulley	00590-44715-71	7-79
Sheave, Chain	00590-45132-71	7-11	Solenoid 10-4B	00590-45035-71	6-27
Sheave, Chain	00590-45132-71	7-27	Solenoid 12-4B	00590-45033-71	6-27
Sheave, Hose	00590-45199-71	7-21	Solenoid Valve Assembly	00590-45033-71	7-83
Sheave, Hose	00590-45199-71	7-33	Solenoid, 3-Way, 2 Position (SOL-9)	00590-45036-71	6-33
Shield, Tire, Left-Hand	00590-44364-71	2-7	Solenoid, Spool (SOL-5)	00590-45035-71	6-33
Shield, Tire, Right-Hand	00590-44363-71	2-7	Spacer Assembly, 0.312 in.	00590-44396-71	2-23
Shield, Vehicle Manager	00590-47893-71	5-14	Spacer Assembly, 0.624 in.	00590-44397-71	2-23
Shim	00590-03159-71	7-5	Spacer Assembly, 0.936 in.	00590-44398-71	2-23
Shim	00590-44504-71	4-13	Spacer Assembly, 1.248 in.	00590-44399-71	2-23
Shim	00590-44508-71	4-13	Spacer Assembly, 1.560 in.	00590-44338-71	2-23
Shim	00590-44509-71	4-13	Spacer Assembly, Battery Gate	00590-44390-71	2-22
Shim	00590-44510-71	4-13	Spacer Assembly, Battery Gate	00590-44381-71	2-22
Shim	00590-44511-71	4-13	Spacer	00590-03454-71	5-61
Shim	00590-44513-71	4-13	Spacer	00590-03454-71	5-64
Shim	00590-44523-71	4-13	Spacer	00590-44337-71	3-3
Shim	00590-44592-71	7-46	Spacer	00590-44553-71	4-13
Shim	00590-44593-71	7-46	Spacer	00590-45178-71	7-21
Shim	00590-44619-71	7-45	Spacer	00590-45178-71	7-33
Shim	00590-44740-71	7-40	Spacer	00590-45210-71	7-5
Shim	00590-44752-71	7-40	Spacer	00590-45221-71	7-5
Shim	00590-45136-71	7-15	Spacer, Battery (Non-Weighted) 0.75 in.	00590-47894-71	2-25
Shim	00590-45136-71	7-17	Spacer, Battery (Non-Weighted) 1.00 in.	00590-47896-71	2-25
Shim	00590-45136-71	7-31	Spacer, Battery (Non-Weighted) 1.25 in.	00590-47895-71	2-25
Shim	00590-45136-71	7-49	Spacer, Battery (Non-Weighted) 2.25 in.	00590-44278-71	2-25
Shim	00590-45211-71	7-40	Spacer, Battery (Non-Weighted) 2.50 in.	00590-44290-71	2-25
Shim	00590-45242-71	7-40	Spacer, Battery (Non-Weighted) 2.75 in.	00590-44291-71	2-25
Shim, Cylinder	00590-45137-71	7-11	Spacer, Battery (Non-Weighted) 4.88 in.	00590-44292-71	2-25
Shim, Cylinder	00590-45137-71	7-27	Spacer, Battery (Non-Weighted) 5.00 in.	00590-44293-71	2-25
Shim, Cylinder	00590-45140-71	7-11	Spacer, Battery, 1.50 in.	00590-44285-71	2-25
Shim, Cylinder	00590-45140-71	7-27	Spacer, Battery, 1.75 in.	00590-44286-71	2-25
Shim, Drive Unit	00590-47892-71	4-7	Spacer, Battery, 2.12 in.	00590-47897-71	2-25
Shim, Load Roller	00590-45136-71	7-11	Spacer, Battery, 2.25 in.	00590-47898-71	2-25
Shim, Load Roller	00590-45136-71	7-27	Spacer, Brake Mount	00590-44517-71	4-5
Shim, Spacer	00590-00359-71	3-3	Spacer, Brake Mount	00590-44536-71	4-5
Shim, Spacer	00590-46712-71	3-3	Spacer, Brake Rotor	00590-44537-71	4-5
Shim, Spacer	00590-46713-71	3-3	Spacer, Cylinder	00590-44709-71	7-39
Shim, Spacer	00590-47889-71	3-3	Spacer, Drive Unit	00590-44546-71	4-7
Shim, Wear Plug	00590-45220-71	7-11	Spacer, Gland	00590-45229-71	6-87
Shim, Wear Plug	00590-45220-71	7-27	Spacer, Pipe (0.50 in.)	00590-05313-71	2-27
Shroud Fan	00590-45096-71	6-39	Spacer, Pipe (10.25 in.)	00590-44261-71	2-27
Shroud Fan	00590-45100-71	6-39			
Shroud, Fan	00590-44516-71	4-5			
Sideshift and Auxiliary Manifolds	00590-45058-71	6-27			
Sideshift Carriage Assembly (32 in. Wide Bolzoni)	00590-45600-71	7-65			
Sideshift Carriage Assembly (32 in. Wide Bolzoni)	00590-45600-71	7-71			

Toyota Stand-Up End-Controlled Counterbalance, Model 7BNCU15/18/20/25 - Numerical Parts Index

Part No.	Description	Page	Part No.	Description	Page
00590-44345-71	Cover, Front, Left-Hand	2-17	00590-44421-71	Decal, Toyota	2-18
00590-44346-71	Cover, Knee	2-17	00590-44422-71	Cable Assembly (LA-F1 to M1-E1)	5-13
00590-44347-71	Cover, Front, Center	2-17	00590-44423-71	Cable Assembly (TPC-1 to LA-B+)	5-13
00590-44348-71	Decal, Toyota	2-18	00590-44424-71	Cable Assembly (TPC-1 to RA-B+)	5-13
00590-44349-71	Decal, Warning	2-17	00590-44425-71	Cable Assembly (LA-B- to TP4)	5-13
00590-44351-71	Brace, Cover (With HAS)	2-17	00590-44426-71	Cable Assembly (LA-A1 to M1-A1)	5-13
00590-44352-71	Decal, Warning	2-17	00590-44427-71	Cable Assembly (M1-A2 to LA-A2)	5-13
00590-44353-71	Cover, HSA Handle	2-17	00590-44428-71	Cable Assembly (RA-A1 to M2-A1)	5-13
00590-44354-71	Decal, Warning	2-17	00590-44429-71	Cable Assembly (RA-A2 to M2-A2)	5-13
00590-44356-71	Decal, Control Handle (Standard)	2-17	00590-44430-71	Cable Assembly (JA1 to OJC7, OPC7)	5-14
00590-44356-71	Decal, Control Handle	2-21	00590-44431-71	Cable Assembly (Auxiliary-1 to MXA)	5-13
00590-44357-71	Decal, Control Handle (LSA)	2-17	00590-44432-71	Cable Assembly (MS- to TP4)	5-13
00590-44359-71	Cover, Front, Right-Hand	2-17	00590-44433-71	Cable Assembly (RA-F1 to M2-E2)	5-13
00590-44360-71	Pad, Backseat	2-17	00590-44434-71	Cable Assembly (RA-F2 to M2-E1)	5-13
00590-44361-71	Bracket, Key Switch	2-7	00590-44435-71	Cable Assembly (LA-F2 to M1-E2)	5-13
00590-44362-71	Plate, Clamp	2-7	00590-44436-71	Bar, Bus	5-13
00590-44363-71	Shield, Tire, Right-Hand	2-7	00590-44438-71	Insulator, Standoff	5-14
00590-44364-71	Shield, Tire, Left-Hand	2-7	00590-44440-71	Tire (Poly, Tan) 95 Durometer	3-7
00590-44366-71	Switch Rotary, 2 pos	5-14	00590-44441-71	Cable Assembly (MXS- to TP4)	5-13
00590-44367-71	Guard, Cable	2-17	00590-44442-71	Harness Assembly (JC10 to B1, S3, S4, S11 and S12)	5-13
00590-44367-71	Guard, Cable	5-51	00590-44443-71	Card Assembly, Translator	5-13
00590-44367-71	Guard, Cable	5-61	00590-44444-71	Harness Assembly (JC4 TO JX4, S13, S14, LPC-1, JF5)	5-13
00590-44367-71	Guard, Cable	5-64	00590-44445-71	Harness Assembly (JX1 to JTR1)	5-13
00590-44369-71	Decal, Toyota	2-17	00590-44446-71	Harness Assembly (JX2 to JLT1)	5-13
00590-44370-71	Pad, Deadman Pedal	2-17	00590-44447-71	Harness Assembly (JF3 to Key Switch, EPO)	5-13
00590-44371-71	Decal, EE	2-17	00590-44448-71	Harness Assembly (JC5 to JD1)	5-13
00590-44372-71	Pad, Floor	2-17	00590-44449-71	Harness Assembly (JC6 to JH1) (Control Handle)	5-13
00590-44373-71	Cover Assembly, Console (Without High Speed Auxiliary)	2-17	00590-44450-71	Harness Assembly (JC7 to S2 and JS2)	5-13
00590-44374-71	Cover Assembly, Console (With High Speed Auxiliary)	2-17	00590-44451-71	Cable Assembly (RA-B- to TP4)	5-13
00590-44379-71	Decal, Warning	2-18	00590-44452-71	Harness Assembly (JC9, SOL-1, SOL-4 thru 9 and JPH3)	5-13
00590-44380-71	Pad, Elbow	2-17	00590-44453-71	Power Amplifier, Traction	5-13
00590-44381-71	Spacer Assembly, Battery Gate	2-22	00590-44454-71	Harness Assembly (JF1, to TP1 and TP4)	5-13
00590-44382-71	Cap, Knob Insert	2-21	00590-44455-71	Harness Assembly (PS12 to BW and MT)	5-13
00590-44383-71	Cap, Knob Insert	2-21	00590-44456-71	Harness Assembly (PS11 to BW and MT)	5-13
00590-44384-71	Gate, Battery (With Spacer)	2-22	00590-44457-71	Harness Assembly (PS8 to BW and MT)	5-13
00590-44385-71	Gate, Battery (With Spacer)	2-22	00590-44458-71	Cable Assembly (LPC-1 to MP-D)	5-13
00590-44386-71	Gate, Battery (With Spacer)	2-22	00590-44459-71	Cable Assembly (MP-A- to TP4)	5-13
00590-44389-71	Decal, Control Handle (HSA)	2-18	00590-44460-71	Cable Assembly (STR-1 to MS+)	5-13
00590-44390-71	Spacer Assembly, Battery Gate	2-22	00590-44461-71	Cable Assembly (JPH3 to SOL-2)	5-14
00590-44391-71	Decal, Control	2-21	00590-44462-71	Harness Assembly (JC8 to JF2) and Contactor Panel	5-13
00590-44393-71	Roller Assembly	2-22	00590-44463-71	Harness Assembly	5-19
00590-44394-71	Roller Assembly	2-22	00590-44464-71	Bar, Bus	5-19
00590-44395-71	Roller Assembly	2-22			
00590-44396-71	Spacer Assembly, 0.312 in.	2-23			
00590-44397-71	Spacer Assembly, 0.624 in.	2-23			
00590-44398-71	Spacer Assembly, 0.936 in.	2-23			
00590-44399-71	Spacer Assembly, 1.248 in.	2-23			
00590-44401-71	Decal, Control	2-21			
00590-44402-71	Decal, Warning	2-18			
00590-44403-71	Decal, Warning	2-18			
00590-44404-71	Decal, Warning	2-18			
00590-44405-71	Decal, Warning	2-18			
00590-44406-71	Decal	2-18			
00590-44410-71	Cap, Knob Insert	2-21			
00590-44411-71	Decal, High Speed Auxiliary Handle	2-21			
00590-44412-71	Decal, Control	2-21			
00590-44413-71	Decal, Control	2-21			
00590-44414-71	Decal, Control	2-21			
00590-44415-71	Decal, Control	2-21			
00590-44416-71	Decal, Control	2-21			
00590-44417-71	Decal, Control	2-21			
00590-44418-71	Decal, Control	2-21			
00590-44419-71	Decal, Control	2-21			
00590-44420-71	Bearing, Cup	3-7			

CLICK HERE TO **DOWNLOAD** THE COMPLETE MANUAL

- Thank you very much for reading the preview of the manual.
- You can download the complete manual from: www.heydownloads.com by clicking the link below



- Please note: If there is no response to CLICKING the link, please download this PDF first and then click on it.

CLICK HERE TO **DOWNLOAD** THE COMPLETE MANUAL