



**CATALOGO PARTI DI RICAMBIO**  
**SPARE PARTS CATALOGUE**  
**CATALOGUE PIECES DETACHEES**  
**ERSATZEIL KATALOG**

CLICK HERE TO **DOWNLOAD** THE COMPLETE MANUAL

- Thank you very much for reading the preview of the manual.
- You can download the complete manual from: [www.heydownloads.com](http://www.heydownloads.com) by clicking the link below



- Please note: If there is no response to CLICKING the link, please download this PDF first and then click on it.

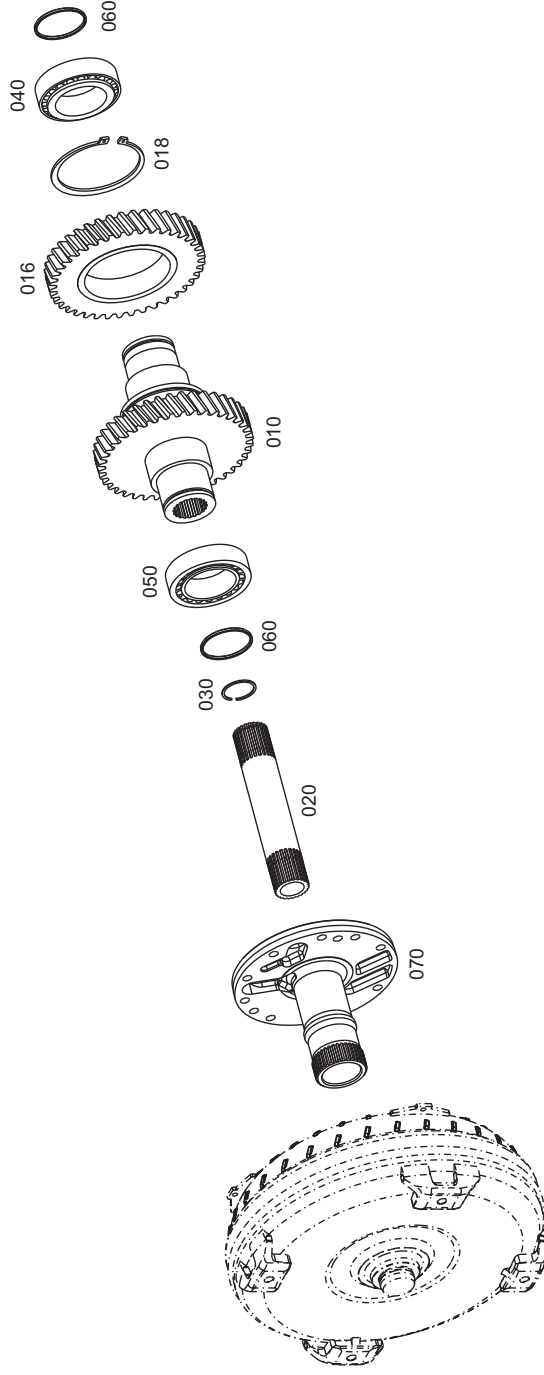
CLICK HERE TO **DOWNLOAD** THE COMPLETE MANUAL

## 7. Accessoires / Options

| Tav.<br>Drg. | rev.<br>rev. | Validità da<br>Validity from | Validità a<br>Validity to | Descrizione<br>Description             |
|--------------|--------------|------------------------------|---------------------------|--|
| R1726        | 0            | 409.001                      |                           | Air conditioned                        |
| R1727        | 0            | 409.001                      |                           | Air conditioned                        |
| R1728        | 0            | 409.001                      |                           | Air conditioned                        |
| R2002        | 0            | 409.001                      |                           | Auxiliary winch assembly               |
| R2003        | 0            | 409.001                      |                           | Hydraulic system - auxiliary winch     |
| R2000        | 0            | 409.001                      |                           | A/C valve                              |
| R2001        | 0            | 409.001                      |                           | A/C hydraulic system                   |
| R2027        | 0            | 409.001                      |                           | 8m (0°-20°) lattice extension assembly |
| R347         | 0            | 409.001                      |                           | 8m extension assembly                  |
| R348         | 0            | 409.001                      |                           | Upper sheave assembly                  |
| R349         | 0            | 409.001                      |                           | Auxiliary rod with wheel assembly      |
| R350         | 0            | 409.001                      |                           | Strut assembly                         |
| R353         | 0            | 409.001                      |                           | 8m extension sheave assembly           |
| R354         | 0            | 409.001                      |                           | 7m extension assembly                  |
| R361         | 0            | 409.001                      |                           | 8m+7m extension electric connection    |
| R356         | 0            | 409.001                      |                           | Rear support assembly                  |
| R357         | 0            | 409.001                      |                           | Front support assembly                 |
| 680          | 0            | 409.001                      |                           | Stationary head installation           |
| R355         | 0            | 409.001                      |                           | 7m extension sheave assembly           |
| R696         | 0            | 409.001                      |                           | Block 10T capacity                     |
| R2104        | 0            | 409.001                      |                           | 15 t hook block                        |
| R2105        | 0            | 409.001                      |                           | 25 t hook block                        |
| R703         | 0            | 409.001                      |                           | BLOCK "OFS" HANDLE 40T ANCHOR          |
| R2106        | 0            | 409.001                      |                           | Antislip                               |
| R2071        | 2            | 409.007                      |                           | Stickers                               |
| R908         | 1            | 409.001                      |                           | Electric box on boom head              |

**Bildtafel / Figure:**

| Dokument / Document    | Materialnr. / Material number | Benennung / Description | Technische Info / Technical info |
|------------------------|-------------------------------|-------------------------|----------------------------------|
| 4657.102.030-000-0-PLT | 4657.102.030                  | ANTRIEB<br>DRIVE        | n/a                              |
| 4657.10203000          |                               |                         |                                  |



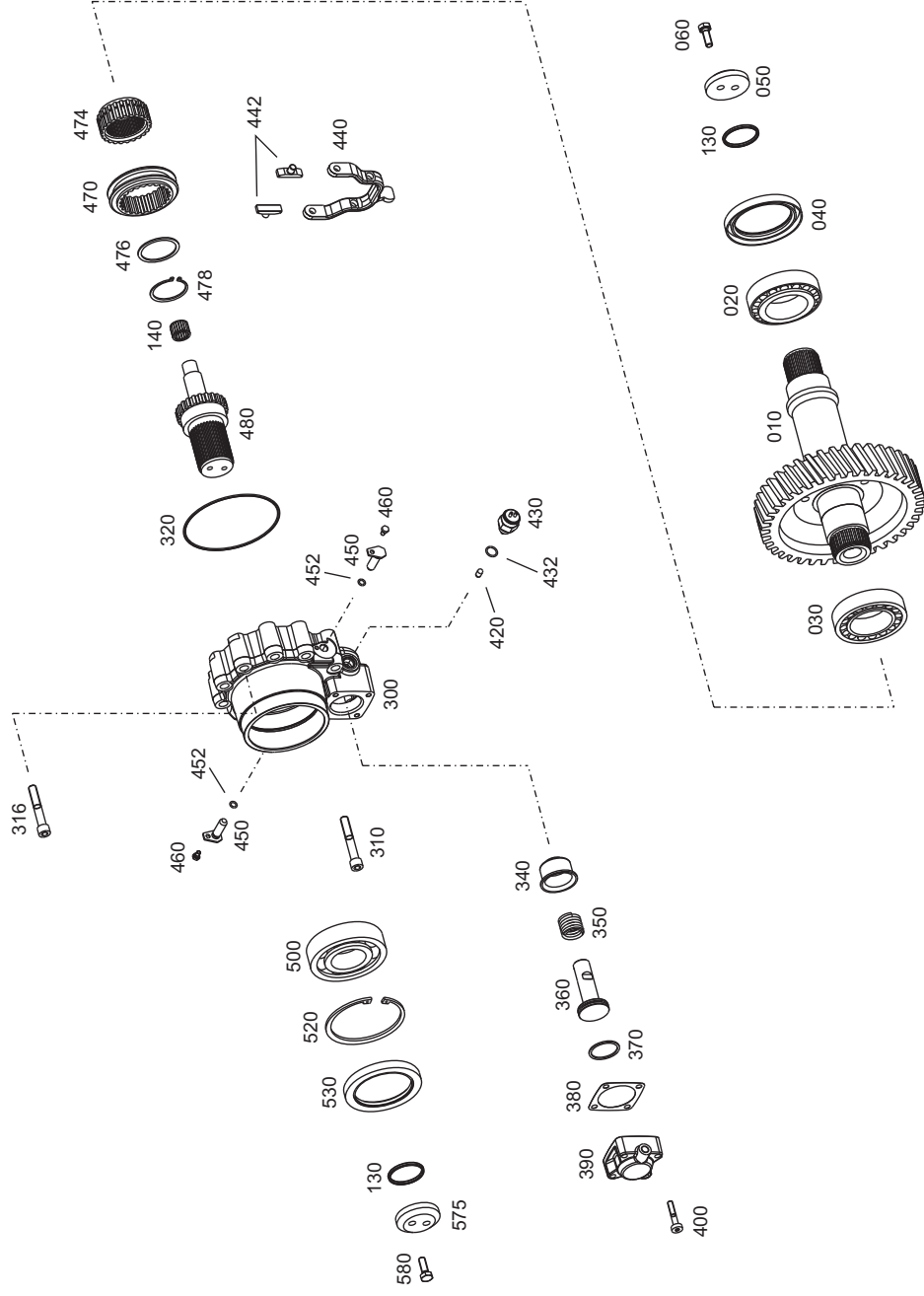
**Bildtafel / Figure:**

**Dokument / Document**      **Materialnr. / Material number**      **Benennung / Description**

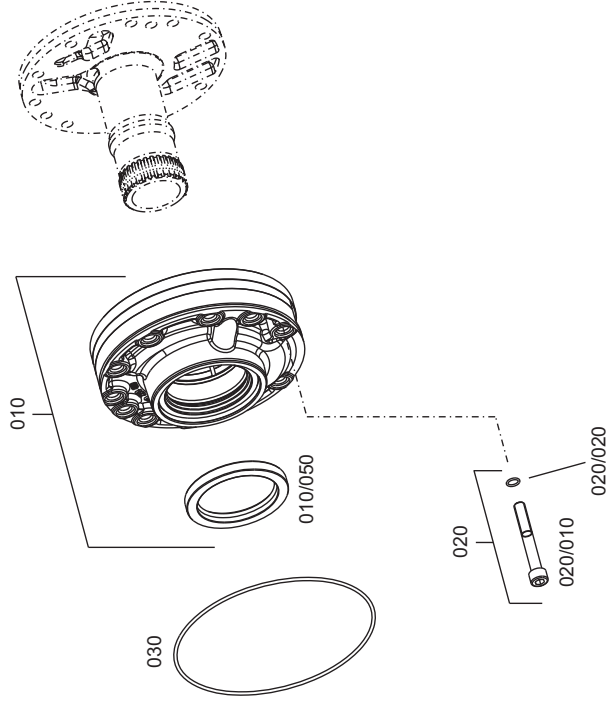
4657.105.008-000-2-PLT      4657.105.008      ACHSABSCHALTUNG  
 4657.10500800           AXLE DISCONNECTION

**Technische Info / Technical info**

HYDR.-PNEUM.,MIT ABTRIEB B

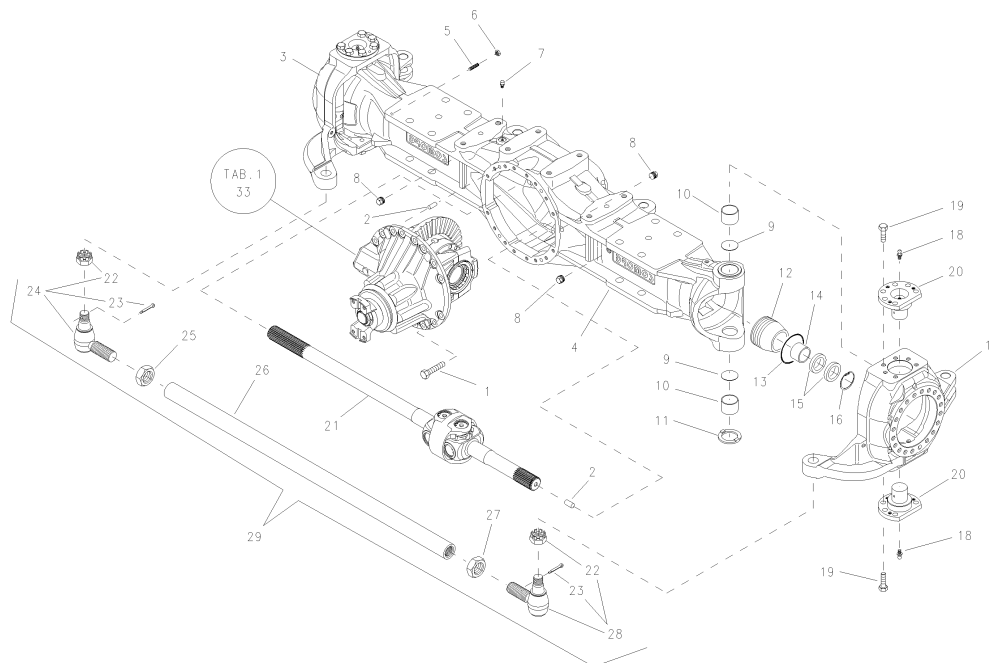


| Bildtafel / Figure:    |                               | Technische Info / Technical info |
|------------------------|-------------------------------|----------------------------------|
| Dokument / Document    | Materialnr. / Material number | Benennung / Description          |
| 4657.122.005-000-0-PLT | 4657.122.005                  | DRUCKOELPUMPE                    |
| 4657.12200500          |                               | PRESSURE OIL PUMP                |
|                        |                               | SHW/GLEITLAGER                   |



**Tavola/Drawing R2055 - Rev. 0**


|   |                          |                    |                    |
|---|--------------------------|--------------------|--------------------|
|  <b>TEREX®</b> | <b>PARTI DI RICAMBIO</b> | <b>SPARE PARTS</b> | <b>R2055 Rev.0</b> |
|---|--------------------------|--------------------|--------------------|

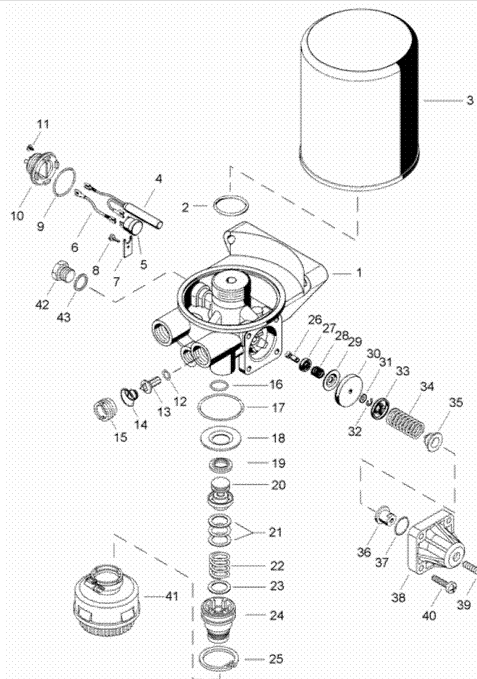


|                     |                                      |                     |                                |
|---------------------|--------------------------------------|---------------------|--------------------------------|
| <i>Descrizione:</i> | <b>Assale anteriore 09.0632.0781</b> | <i>Description:</i> | <b>Front axle 09.0632.0781</b> |
|---------------------|--------------------------------------|---------------------|--------------------------------|

| Rif. Ref. | Cod. P/N     | Q.tà Q.ty | Descrizione | Description | Beschreibung | Description            | Descricion            |
|-----------|--------------|-----------|-------------|-------------|--------------|------------------------|-----------------------|
| 2         | 07.0498.0073 | 6         | SPINA       | PIN         | STIFT        | GOUILLE                | ENCHUFE               |
| 7         | 07.0498.0132 | 1         | SFIATO      | BREATHER    | ENTLÜFTUNG   | RENIFLARD              | RESPIRADERO           |
| 9         | 07.0498.0104 | 4         | TAPPO       | PLUG        | VERSCHLUSS   | BOUCHON                | TAPÓN                 |
| 10        | 07.0498.0059 | 4         | BOCCOLA     | BUSH        | BUCHSE       | BAGUE                  | CASQUILLO             |
| 11        | 07.0498.0058 | 2         | RALLA       | FIFTH WHEEL | SPURPLATTE   | COURONNE D'ORIENTATION | CORONA DE ORIENTACIÓN |
| 12        | 07.0498.0060 | 2         | BUSSOLA     | BUSHING     | HÜLSE        | DOUILLE                | BRUJOLA               |
| 14        | 07.0498.0062 | 2         | BOCCOLA     | BUSH        | BUCHSE       | BAGUE                  | CASQUILLO             |
| 16        | 07.0498.0064 | 2         | ANELLO      | RING        | RING         | BAGUE                  | ANILLO                |
| 20        | 07.0498.0157 | 4         | PERNO       | PIN         | BOLZEN       | AXE                    | PERNO                 |
| 22        | 07.0498.0075 | 2         | DADO        | NUT         | MUTTER       | ECROU                  | TUERCA                |
| 23        | 07.0498.0097 | 2         | COPIGLIA    | SPLIT PIN   | SPLINT       | GOUILLE                | CLAVIJA               |
| 24        | 07.0498.0076 | 1         | TESTINA     | HEAD        | KOPF         | TETE                   | CABEZA                |
| 25        | 01.0030.0752 | 1         | DADO        | NUT         | MUTTER       | ECROU                  | TUERCA                |
| 27        | 01.0030.0751 | 1         | DADO        | NUT         | MUTTER       | ECROU                  | TUERCA                |
| 28        | 07.0498.0077 | 1         | TESTINA     | HEAD        | KOPF         | TETE                   | CABEZA                |
| 29        | 07.0498.0054 | 1         | FLANGIA     | FLANGE      | FLANSCH      | FLASQUE                | BRIDA                 |

**Tavola/Drawing R1181 - Rev. 0**


|   |                          |                    |                    |
|---|--------------------------|--------------------|--------------------|
|  <b>TEREX®</b> | <b>PARTI DI RICAMBIO</b> | <b>SPARE PARTS</b> | <b>R1181 Rev.0</b> |
|---|--------------------------|--------------------|--------------------|

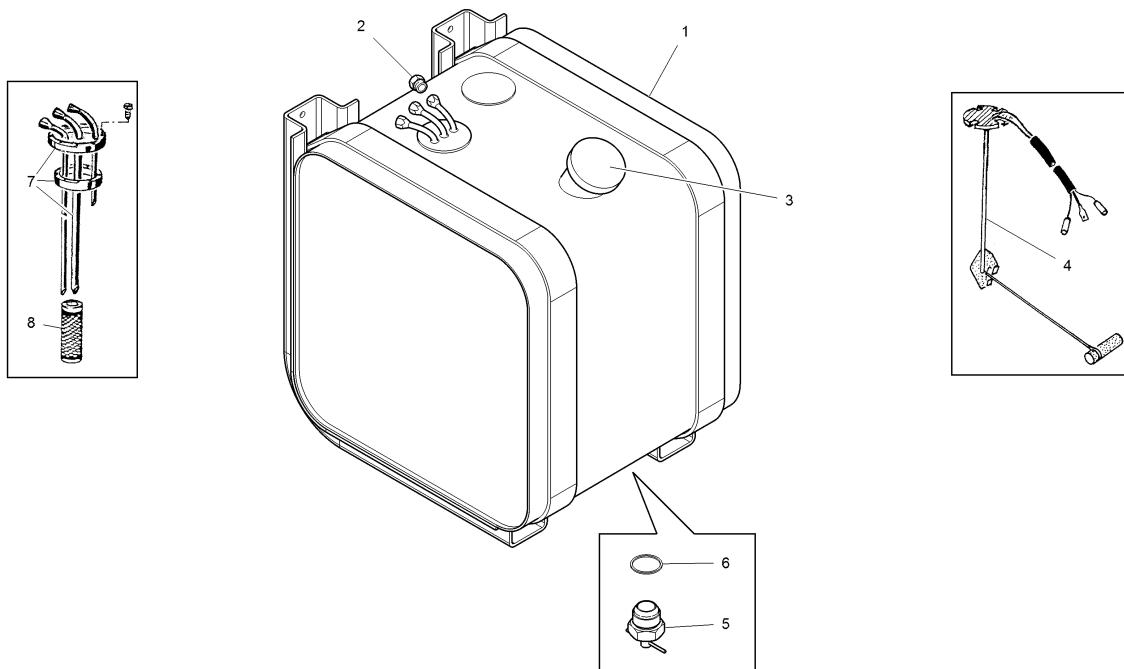


|                     |  |                   |  |                     |  |              |  |
|---------------------|--|-------------------|--|---------------------|--|--------------|--|
| <i>Descrizione:</i> |  | <b>Essicatore</b> |  | <i>Description:</i> |  | <b>Dryer</b> |  |
|---------------------|--|-------------------|--|---------------------|--|--------------|--|

| Rif. Ref. | Cod. P/N     | Q.tà Q.ty | Descrizione  | Description | Beschreibung  | Description | Descripcion |
|-----------|--------------|-----------|--------------|-------------|---------------|-------------|-------------|
| 3         | 09.0604.1031 | 1         | CARTUCCIA    | CARTRIDGE   | KARTUSCHE     | CARTOUCHE   | CARTUCHO    |
| 41        | 05.0343.0075 | 1         | SILENZIATORE | SILENCER    | SCHALLDÄMPFER | SILENCIEUX  | SILENCIADOR |

**Tavola/Drawing R1968 - Rev. 0**

|   |                          |                    |                    |
|---|--------------------------|--------------------|--------------------|
|  <b>TEREX®</b> | <b>PARTI DI RICAMBIO</b> | <b>SPARE PARTS</b> | <b>R1968 Rev.0</b> |
|---|--------------------------|--------------------|--------------------|

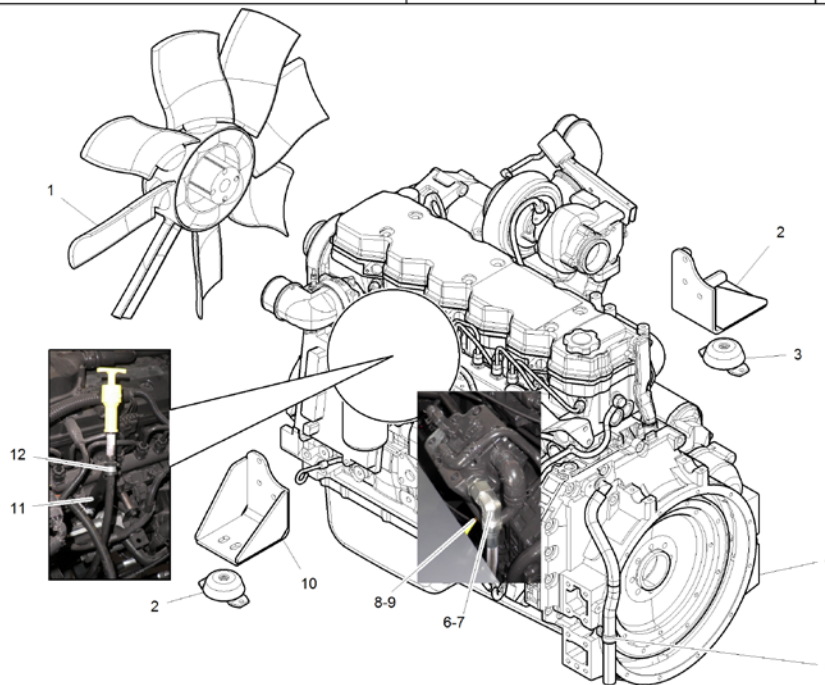


|                     |                             |                     |                  |
|---------------------|-----------------------------|---------------------|------------------|
| <i>Descrizione:</i> | <b>Serbatoio carburante</b> | <i>Description:</i> | <b>Fuel tank</b> |
|---------------------|-----------------------------|---------------------|------------------|

| Rif. Ref. | Cod. P/N             | Q.tà Q.ty | Descrizione                                       | Description     | Beschreibung | Description    | Descripcion |
|-----------|----------------------|-----------|---|-----------------|--------------|----------------|-------------|
| 6         | 06.0443.0057.C<br>RE | 1         | RONDELLA ALLUMINIO                                | WASHER          | DICHTUNG     | JOINT          |             |
| 2         | 27565.CRE            | 1         | TAPPO SU<br>SERBATOIO GASOLIO                     | PLUG            | DECKEL       | BOUCHON        |             |
| 1         | 09.0694.0101.C<br>RE | 1         | SERBATOIO GASOLIO<br>SERBATOIO GASOLIO<br>300 LT. | FUEL TANK       | BENZINTANK   | RESERVOIR      |             |
| 5         | 09.0694.0105.C<br>RE | 1         | VALVOLA DI SPURGO                                 | PURGE VALVE     | VENTIL       | VALVE DE PURGE |             |
| 3         | 09.0661.0057.C<br>RE | 1         | TAPPO A CHIAVE                                    | PLUG            | STOPSEL      | BOUCHON        |             |
| 4         | 09.0694.0108.C<br>RE | 1         | INDICATORE LIVELLO                                | LEVEL INDICATOR | EBENE        | GAUGE GASOIL   |             |
| 7         | 09.0694.0103.C<br>RE | 1         | PESCANTE<br>COMPLETO                              | PIPE            | ROHR         | TUYEAU         |             |
| 8         | 09.0604.0353.C<br>RE | 1         | FILTRO SERBATOIO<br>GASOLIO                       | FILTER          | FILTER       | FILTRE         |             |

**Tavola/Drawing R2037 - Rev. 0**

|   |                          |                    |                    |
|---|--------------------------|--------------------|--------------------|
|  <b>TEREX®</b> | <b>PARTI DI RICAMBIO</b> | <b>SPARE PARTS</b> | <b>R2037 Rev.0</b> |
|---|--------------------------|--------------------|--------------------|

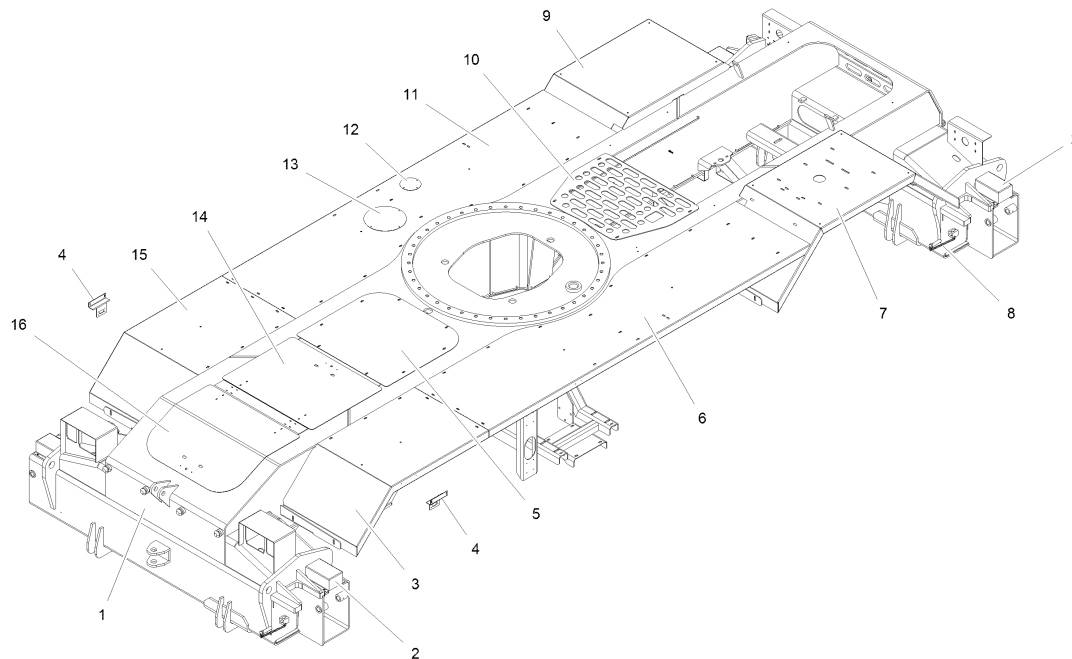


|   |   |
|---|---|
| <i>Descrizione:</i> <b>Gruppo motore fase IIIA - Tier 3</b> | <i>Description:</i> <b>Engine Stage IIIA - Tier 3</b> |
|---|---|

| Rif. Ref. | Cod. P/N             | Q.tà Q.ty | Descrizione                       | Description  | Beschreibung | Description | Descrpcion |
|-----------|----------------------|-----------|-----------------------------------|--------------|--------------|-------------|------------|
| 12        | 04.0227.0256.C<br>RE | 1         | FASCETTA                          | CLAMP        | SHELLE       | COLLIER     | ABRAZADERA |
| 8         | 05.0301.8549.C<br>RE | 1         | RACCORDO                          | FITTING      | FITTING      | JOINT       |            |
| 9         | 06.0442.0053.C<br>RE | 1         | RONDELLA RAME D.10                | WASHER       | DICHTUNG     | RONDELLE    |            |
| 1         | 09.0602.0166.C<br>RE | 1         | VENTOLA PER MOTORE CUMMINS        | ENGINE FAN   | VENTILATOR   | VENTILATEUR |            |
| 10        | 41309.CRE            | 1         | SUPPORTO POSTERIORE DX MOTORE     | SUPPORT      | HALTER       | SUPPORT     |            |
| 11        | 48880.CRE            | 1         | SUPPORTO ASTA OLIO                | SUPPORT      | HALTER       | SUPPORT     | SOPORTE    |
| 6         | 04.0216.0622.C<br>RE | 1         | RACCORDO DIRITTO M-M 3/4"G- M27x2 | CONNECTION   | CONNECTION   | CONNECTION  |            |
| 7         | 04.0216.0609.C<br>RE | 1         | RACCORDO                          | FITTING      | ANSCHLUSS    | ADAPTER     | CONEXIÓN   |
| 2         | 50658.CRE            | 1         | SUPPORTO POSTERIORE SX MOTORE     | SUPPORT      | SUPPORT      | SUPPORT     |            |
| 4         | 09.0601.0300.C<br>RE | 1         | MOTORE CUMMINS QSB6.7 IIIA 129KW  | ENGINE       | ENGINE       | ENGINE      |            |
| 5         | 04.0227.0167.C<br>RE | 1         | FASCETTA 25                       | CLAMP        | HALSBAND     | COLLIER     |            |
| 3         | 07.0503.0052.C<br>RE | 1         | TASSELLO ELASTICO                 | SILENT BLOCK | GUMMISTUECK  | TAMPON      |            |

## Tavola/Drawing R2223 - Rev. 0

|  |                          |                    |                    |
|--|--------------------------|--------------------|--------------------|
|  | <b>PARTI DI RICAMBIO</b> | <b>SPARE PARTS</b> | <b>R2223 Rev.0</b> |
|--|--------------------------|--------------------|--------------------|



|                     |                          |                     |                       |
|---------------------|--------------------------|---------------------|-----------------------|
| <i>Descrizione:</i> | <b>Componenti telaio</b> | <i>Description:</i> | <b>Frame assembly</b> |
|---------------------|--------------------------|---------------------|-----------------------|

| Rif. Ref. | Cod. P/N  | Q.tà Q.ty | Descrizione                                  | Description                       | Beschreibung              | Description                | Descrpcion            |
|-----------|-----------|-----------|--|-----------------------------------|---------------------------|----------------------------|-----------------------|
| 1         | 51981.CRE | 1         | STRUTTURA TELAIO                             | FRAME                             | RAHMEN                    | CHASSIS                    | BASTIDOR              |
| 2         | 49256.CRE | 4         | CARTER                                       | CARTER                            | CARTER                    | CARTER                     |                       |
| 3         | 51844.CRE | 1         | PROTEZ.RACCORDI PARAFANGO ANTERIORE SINISTRO | PROTEZ.RACCORDI FRONT LEFT FENDER | PROTEZ.RACCORDI KOTFLÜGEL | PROTEZ.RACCORDI GARDE-BOUE | GUARDABARROS          |
| 4         | 37265.CRE | 2         | SUPPORTO INDICATORE DIREZ.                   | SUPP.INDICAT.DIREZ.               | SUPP.INDICAT.DIREZ.       | SUPP.INDICAT.DIREZ.        |                       |
| 5         | 49324.CRE | 1         | SPORTELLO POSTERIORE                         | SPORTELLO POSTERIORE              | SPORTELLO POSTERIORE      | SPORTELLO POSTERIORE       |                       |
| 6         | 51837.CRE | 1         | PIANALE SINISTRO                             | LEFT COVER                        | FLACHBODEN                | WAGON PLAT                 | PLATAFORMA            |
| 7         | 51124.CRE | 1         | PARAFANGO POSTERIORE SINISTRO                | REAR LEFT FENDER                  | KOTFLÜGEL                 | GARDE-BOUE                 | GUARDABARROS          |
| 8         | 49326.CRE | 4         | PERNO ARRESTO TRAVE                          | PERNO ARRESTO TRAVE               | PERNO ARRESTO TRAVE       | PERNO ARRESTO TRAVE        |                       |
| 9         | 44423.CRE | 1         | PARAFANGO POSTERIORE DX                      | PARAFANGO POSTERIORE DX           | PARAFANGO POSTERIORE DX   | PARAFANGO POSTERIORE DX    |                       |
| 10        | 51982.CRE | 1         | CARTER                                       | GUARD                             | GEHÄUSE                   | CARTER                     | PROTECCIÓN PLATAFORMA |
| 11        | 51838.CRE | 1         | PIANALE DESTRO                               | RIGHT COVER                       | FLACHBODEN                | WAGON PLAT                 |                       |
| 12        | 46737.CRE | 1         | COPERCHIO PICCOLO PIANALE                    | COPERCHIO PICCOLO PIANALE         | COPERCHIO PICCOLO PIANALE | COPERCHIO PICCOLO PIANALE  |                       |
| 13        | 46735.CRE | 1         | COPERCHIO GRANDE PIANALE                     | COPERCHIO GRANDE PIANALE          | COPERCHIO GRANDE PIANALE  | COPERCHIO GRANDE PIANALE   |                       |
| 14        | 49330.CRE | 1         | SPORTELLO CENTRALE                           | SPORTELLO CENTRALE                | SPORTELLO CENTRALE        | SPORTELLO CENTRALE         |                       |
| 15        | 51842.CRE | 1         | PARAFANGO ANTERIORE DESTRO                   | FRONT RIGHT FENDER                | KOTFLÜGEL                 | GARDE-BOUE                 | GUARDABARROS          |
| 16        | 49329.CRE | 1         | SPORTELLO ANTERIORE                          | SPORTELLO ANTERIORE               | SPORTELLO ANTERIORE       | SPORTELLO ANTERIORE        |                       |

CLICK HERE TO **DOWNLOAD** THE COMPLETE MANUAL

- Thank you very much for reading the preview of the manual.
- You can download the complete manual from: [www.heydownloads.com](http://www.heydownloads.com) by clicking the link below



- Please note: If there is no response to CLICKING the link, please download this PDF first and then click on it.

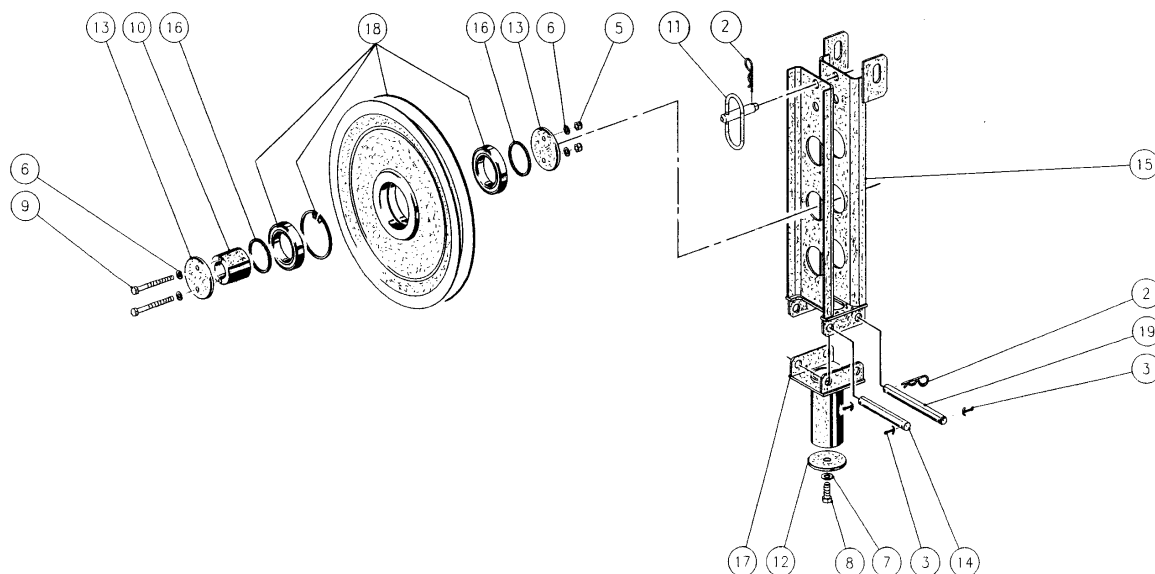
CLICK HERE TO **DOWNLOAD** THE COMPLETE MANUAL

## Tavola/Drawing R348 - Rev. 0



### PARTI DI RICAMBIO

Codice: 38371  
Rev. 00 del 01/03/02



Modello  
**A350-A400**

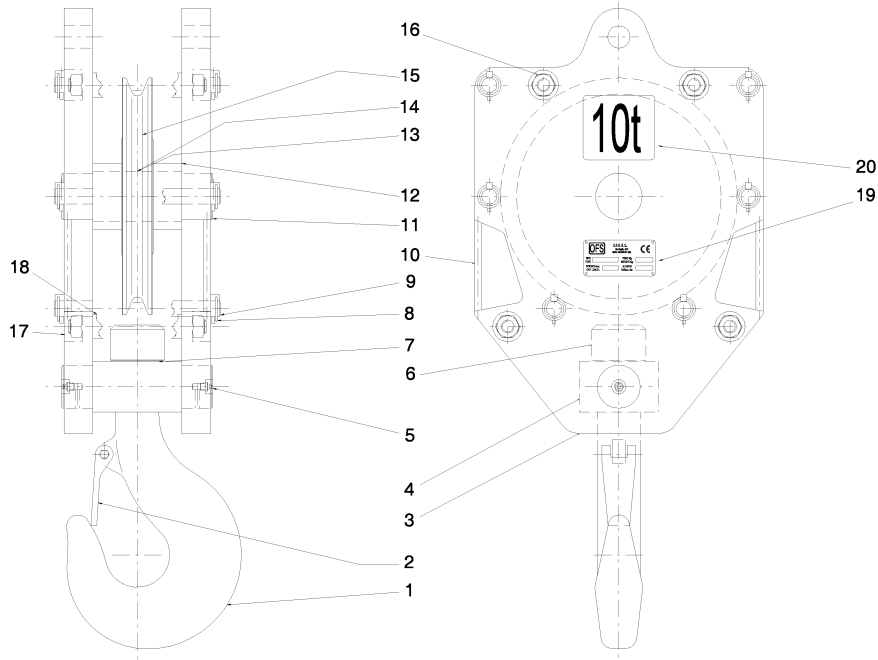
Descrizione:  
**MONTAGGIO CARRUCOLA RINVIO FUNE**

**R348** Rev.0

| Rif. Ref. | Cod. P/N     | Q.tà Q.ty | Descrizione | Description | Beschreibung    | Description         | Descrpcion |
|-----------|--------------|-----------|-------------|-------------|-----------------|---------------------|------------|
| 2         | 02.0113.0052 | 2         | COPIGLIA    | SPLIT PIN   | SPLINT          | GOUILLE             | CLAVIJA    |
| 3         | 02.0112.0155 | 3         | COPIGLIA    | SPLIT PIN   | SPLINT          | GOUILLE             | CLAVIJA    |
| 5         | 01.0023.0055 | 2         | DADO        | NUT         | MUTTER          | ECROU               | TUERCA     |
| 6         | 01.0031.0056 | 4         | RONDELLA    | WASHER      | UNTERLEGSCHIEBE | RONDELLE            | ARANDELA   |
| 7         | 01.0031.0058 | 1         | RONDELLA    | WASHER      | UNTERLEGSCHIEBE | RONDELLE            | ARANDELA   |
| 8         | 01.0001.0605 | 1         | VITE        | SCREW       | SCHRAUBE        | VIS                 | TORNILLO   |
| 9         | 01.0001.0315 | 2         | VITE        | SCREW       | SCHRAUBE        | VIS                 | TORNILLO   |
| 10        | 38864        | 1         | PERNO       | PIN         | BOLZEN          | AXE                 | PERNO      |
| 11        | 38893        | 1         | PERNO       | PIN         | BOLZEN          | AXE                 | PERNO      |
| 12        | 38869        | 1         | RONDELLA    | WASHER      | UNTERLEGSCHIEBE | RONDELLE            | ARANDELA   |
| 13        | 38865        | 2         | RONDELLA    | WASHER      | UNTERLEGSCHIEBE | RONDELLE            | ARANDELA   |
| 14        | 38866        | 1         | PERNO       | PIN         | BOLZEN          | AXE                 | PERNO      |
| 15        | 38863        | 1         | SUPPORTO    | SUPPORT     | HALTER          | SUPPORT             | SOPORTE    |
| 16        | 38868        | 2         | RONDELLA    | WASHER      | UNTERLEGSCHIEBE | RONDELLE            | ARANDELA   |
| 17        | 39683        | 1         | TUBO        | PIPE        | ROHR            | TUYAU               | TUBO       |
| 18        | 38448        | 1         | CARRUCOLA   | PULLEY      | SEILROLLE       | POULIE DE ROULEMENT | POLEA      |
| 19        | 38867        | 1         | PERNO       | PIN         | BOLZEN          | AXE                 | PERNO      |

## Tavola/Drawing R696 - Rev. 0

|  |                          |                                       |
|--|--------------------------|---------------------------------------|
|  | <b>PARTI DI RICAMBIO</b> | Codice: 38371<br>Rev. 00 del 01.03.02 |
|--|--------------------------|---------------------------------------|

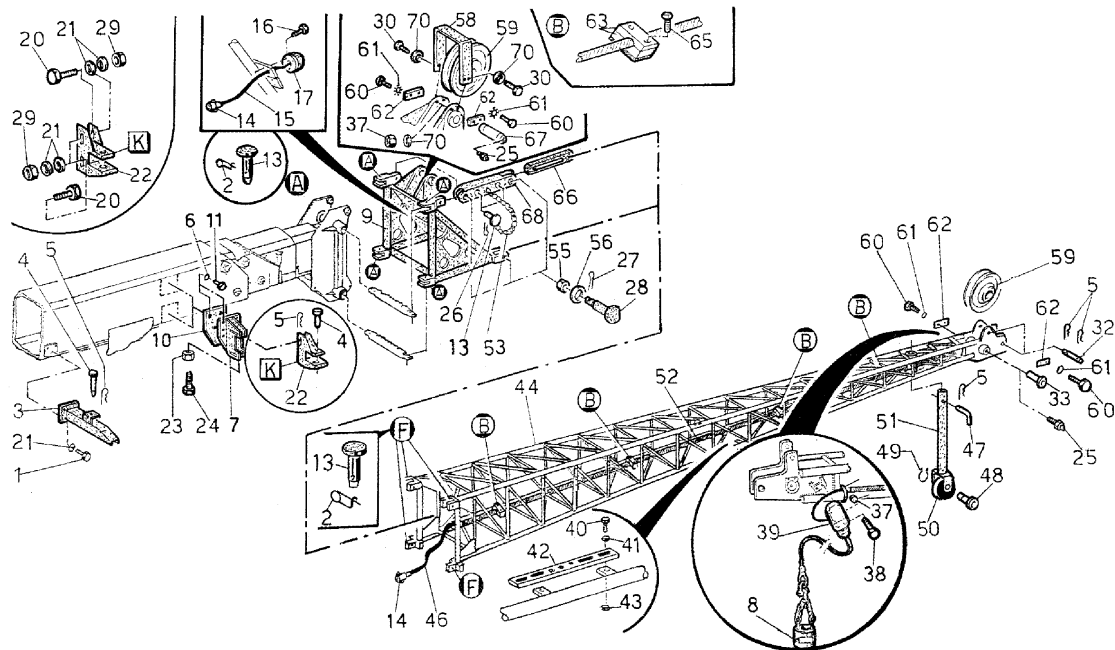


|                        |                                       |                   |
|------------------------|---------------------------------------|-------------------|
| Modello                | Descrizione:                          |                   |
| <b>Tutti i modelli</b> | <b>BOZZELLO "OFS" PORTATA 10 ton.</b> | <b>R696</b> Rev.0 |

| Rif. Ref. | Cod. P/N     | Q.tà Q.ty | Descrizione | Description    | Beschreibung | Description         | Descrpcion   |
|-----------|--------------|-----------|-------------|----------------|--------------|---------------------|--------------|
| 1         | 07.0494.0027 | 1         | GANCIO      | HOOK           | HAKEN        | CROCHET             | GANCHO       |
| 3         | 07.0494.0028 | 2         | FIANCATA    | SIDE PANEL     | FLANKE       | COTE                | LADO         |
| 4         | 07.0494.0029 | 1         | TRAVERSA    | CROSSPIECE     | QUERSTREBE   | TRAVERSE            | LARGUERO     |
| 6         | 07.0494.0030 | 1         | GHIERA      | RING NUT       | NUTMUTTER    | ECROU ANNULAIRE     | VÍROLA       |
| 7         | 07.0494.0031 | 1         | CUSCINETTO  | BEARING        | LAGER        | ROULEMENT           | COJINETE     |
| 9         | 07.0494.0032 | 6         | PERNO       | PIN            | BOLZEN       | AXE                 | PERNO        |
| 11        | 07.0494.0033 | 1         | PERNO       | PIN            | BOLZEN       | AXE                 | PERNO        |
| 12        | 07.0494.0034 | 2         | DISTANZIALE | SPACER         | DISTANZSTÜCK | ENTRETOISE          | DISTANCIADOR |
| 13        | 07.0494.0035 | 2         | CUSCINETTO  | BEARING        | LAGER        | ROULEMENT           | COJINETE     |
| 15        | 07.0494.0036 | 1         | CARRUCOLA   | PULLEY         | SEILROLLE    | POULIE DE ROULEMENT | POLEA        |
| 17        | 07.0494.0037 | 4         | TIRANTE     | TIE ROD        | ZUGSTANGE    | TIRANT              | TIRANTE      |
| 18        | 07.0494.0038 | 4         | DISTANZIALE | SPACER         | DISTANZSTÜCK | ENTRETOISE          | DISTANCIADOR |
| 100       | 41462        | 1         | BOZZELLO    | HOISTING BLOCK | SEILBLOCK    | MOUFLE              | MOTÓN        |

## Tavola/Drawing R2027 - Rev. 0

|  |                          |                    |                    |
|--|--------------------------|--------------------|--------------------|
|  | <b>PARTI DI RICAMBIO</b> | <b>SPARE PARTS</b> | <b>R2027 Rev.0</b> |
|--|--------------------------|--------------------|--------------------|

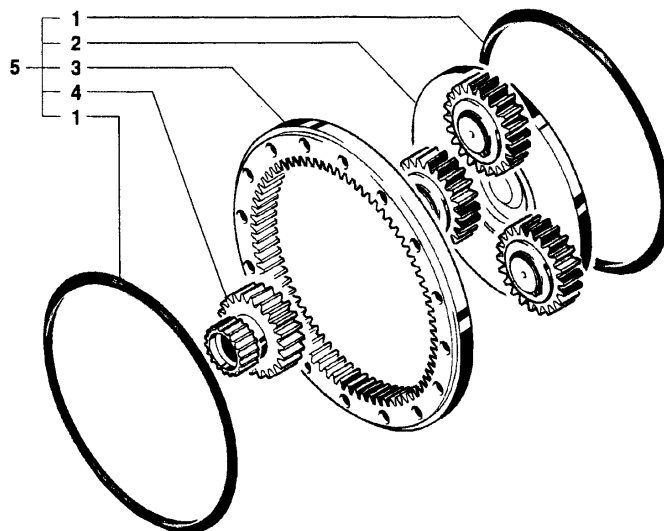


|              |   |              |   |
|--------------|---|--------------|---|
| Descrizione: | <b>Montaggio prolunga tralicciata 8m (0°-20°)</b> | Description: | <b>8m (0°-20°) lattice extension assembly</b> |
|--------------|---|--------------|---|

| Rif. Ref. | Cod. P/N     | Q.tà Q.ty | Descrizione       | Description       | Beschreibung    | Description         | Descrpcion          |
|-----------|--------------|-----------|-------------------|-------------------|-----------------|---------------------|---------------------|
| 1         | 01.0001.1490 | 3         | VITE              | SCREW             | SCHRAUBE        | VIS                 | TORNILLO            |
| 2         | 02.0113.0061 | 8         | COPIGLIA          | SPLIT PIN         | SPLINT          | GOUPILLE            | CLAVIJA             |
| 3         | 31313        | 1         | SUPPORTO          | SUPPORT           | HALTER          | SUPPORT             | SOPORTE             |
| 4         | 19734        | 3         | PERNO             | PIN               | BOLZEN          | AXE                 | PERNO               |
| 5         | 02.0113.0052 | 8         | COPIGLIA          | SPLIT PIN         | SPLINT          | GOUPILLE            | CLAVIJA             |
| 6         | 01.0034.0060 | 6         | RONDELLA          | WASHER            | UNTERLEGSCHIEBE | RONDELLE            | ARANDELA            |
| 7         | 23412        | 2         | SUPPORTO          | SUPPORT           | HALTER          | SUPPORT             | SOPORTE             |
| 8         | 08.0564.0115 | 1         | PESO FINE CORSA   | LIMIT STOP WEIGHT | ANSCHLAGGEWICHT | POIDS FIN DE COURSE | PESO FIN DE CARRERA |
| 9         | 22613        | 1         | SUPPORTO          | SUPPORT           | HALTER          | SUPPORT             | SOPORTE             |
| 10        | 24580        | 2         | SUPPORTO          | SUPPORT           | HALTER          | SUPPORT             | SOPORTE             |
| 11        | 01.0001.1504 | 6         | VITE              | SCREW             | SCHRAUBE        | VIS                 | TORNILLO            |
| 13        | 22608        | 10        | PERNO             | PIN               | BOLZEN          | AXE                 | PERNO               |
| 14        | 08.0581.2001 | 2         | SPINA             | PIN               | STIFT           | GOUPILLE            | ENCHUFE             |
| 15        | 08.0581.0352 | 9         | CAVO              | CABLE             | KABEL           | CABLE               | CABLE               |
| 16        | 01.0003.0108 | 3         | VITE              | SCREW             | SCHRAUBE        | VIS                 | TORNILLO            |
| 17        | 08.0581.2002 | 1         | PRESA             | ELECTRIC PLUG     | ANSCHLUSSBUCHSE | PRISE               | TOMA                |
| 20        | 01.0001.1491 | 8         | VITE              | SCREW             | SCHRAUBE        | VIS                 | TORNILLO            |
| 21        | 01.0031.0098 | 19        | RONDELLA          | WASHER            | UNTERLEGSCHIEBE | RONDELLE            | ARANDELA            |
| 22        | 19740        | 2         | SUPPORTO          | SUPPORT           | HALTER          | SUPPORT             | SOPORTE             |
| 23        | 01.0023.0060 | 2         | DADO              | NUT               | MUTTER          | ECROU               | TUERCA              |
| 24        | 01.0001.0913 | 2         | VITE              | SCREW             | SCHRAUBE        | VIS                 | TORNILLO            |
| 25        | 02.0117.0067 | 4         | INGRASSATORE      | GREASE NIPPLE     | SCHMIERNIPPEL   | GRAISSEUR           | ENGRASADOR          |
| 26        | 02.0113.0051 | 2         | COPIGLIA          | SPLIT PIN         | SPLINT          | GOUPILLE            | CLAVIJA             |
| 27        | 02.0112.0155 | 4         | COPIGLIA          | SPLIT PIN         | SPLINT          | GOUPILLE            | CLAVIJA             |
| 28        | 22580        | 8         | PERNO             | PIN               | BOLZEN          | AXE                 | PERNO               |
| 29        | 01.0023.0057 | 8         | DADO              | NUT               | MUTTER          | ECROU               | TUERCA              |
| 30        | 01.0003.0944 | 4         | VITE              | SCREW             | SCHRAUBE        | VIS                 | TORNILLO            |
| 32        | 22605        | 2         | GUIDAFUNE         | ROPE CLAMP        | SEILFUHRUNG     | GUIDE-CABLE         | GUÍA PARA CABLE     |
| 33        | 22591        | 1         | PERNO             | PIN               | BOLZEN          | AXE                 | PERNO               |
| 37        | 01.0023.0054 | 6         | DADO              | NUT               | MUTTER          | ECROU               | TUERCA              |
| 38        | 01.0003.0210 | 2         | VITE              | SCREW             | SCHRAUBE        | VIS                 | TORNILLO            |
| 39        | 08.0564.0114 | 1         | MICROINTERRUTTORE | MICROSWITCH       | MIKROSCHALTER   | MICRORUPTEUR        | MICROINTERRUPTOR    |
| 40        | 01.0001.1475 | 2         | VITE              | SCREW             | SCHRAUBE        | VIS                 | TORNILLO            |
| 41        | 01.0031.0301 | 4         | RONDELLA          | WASHER            | UNTERLEGSCHIEBE | RONDELLE            | ARANDELA            |
| 42        | 24574        | 1         | SUPPORTO          | SUPPORT           | HALTER          | SUPPORT             | SOPORTE             |
| 43        | 01.0023.0055 | 2         | DADO              | NUT               | MUTTER          | ECROU               | TUERCA              |
| 44        | 22609        | 1         | PROLUNGA          | EXTENSION         | VERLÄNGERUNG    | RALLONGE            | PROLONGACIÓN        |
| 47        | 22795        | 1         | PERNO             | PIN               | BOLZEN          | AXE                 | PERNO               |
| 48        | 37018        | 1         | PERNO             | PIN               | BOLZEN          | AXE                 | PERNO               |
| 49        | 02.0120.0060 | 1         | SEEGER            | CIRCLIP           | SEEGER          | CIRCLIP             | SEEGER              |
| 50        | 12843        | 1         | RULLO             | ROLLER            | WALZE           | ROULEAU             | RODILLO             |
| 51        | 22718        | 1         | ASTA              | ROD               | STANGE          | BARRE               | BARRA               |
| 52        | 11.0777.1001 | 7         | TUBO              | PIPE              | ROHR            | TUYAU               | TUBO                |
| 53        | 09.0646.0355 | 1         | CATENA            | CHAIN             | KETTE           | CHAINE              | CADENA              |
| 55        | 01.0023.0062 | 4         | DADO              | NUT               | MUTTER          | ECROU               | TUERCA              |
| 56        | 01.0031.0103 | 4         | RONDELLA          | WASHER            | UNTERLEGSCHIEBE | RONDELLE            | ARANDELA            |

**Tavola/Drawing R332 - Rev. 0**

**PARTI DI RICAMBIO**

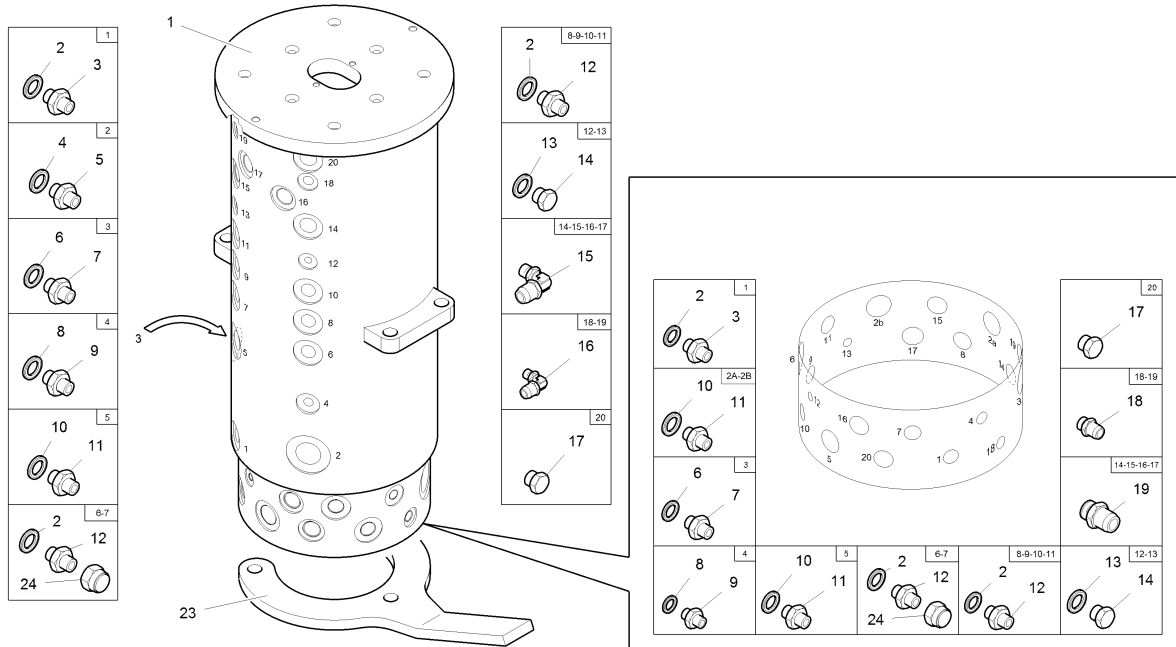
 Codice: 38371  
 Rev. 00 del 01.03.02


|                                       |  |                   |
|---------------------------------------|--|-------------------|
| Modello<br><b>A300-A350-A400-A450</b> | Descrizione:<br><b>RIDUTTORE "MT306L204007" – STADIO RIDUZIONE 303</b> | <b>R332</b> Rev.0 |
|---------------------------------------|--|-------------------|

| Rif.<br>Ref. | Cod.<br>P/N  | Q.tà<br>Q.ty | Descrizione         | Description     | Beschreibung       | Description                      | Descricipion            |
|--------------|--------------|--------------|---------------------|-----------------|--------------------|----------------------------------|-------------------------|
| 1            | 07.0496.0128 | 2            | OR                  | O-RING          | O-RING             | JOINT TORIQUE                    | ANILLO OR               |
| 2            | 07.0496.0129 | 1            | RIDUZIONE           | ADAPTER         | REDUZIERUNG        | REDUCTION                        | REDUCCIÓN               |
| 3            | 07.0496.0130 | 1            | ANELLO              | RING            | RING               | BAGUE                            | ANILLO                  |
| 4            | 07.0496.0131 | 1            | SOLARE              | SUN GEAR        | SONNENRAD          | ENGRENAGE                        | ENGRANAJE CENTRAL       |
| 5            | 07.0496.0132 | 1            | STADIO DI RIDUZIONE | REDUCTION STAGE | UNTERSETZUNGSSTUFE | CENTRAL<br>DEGRE DE<br>REDUCTION | ESTADIO DE<br>REDUCCIÓN |

**TEREX®****RT45****Tavola/Drawing R1981 - Rev. 0**

|               |                          |                    |                    |
|---------------|--------------------------|--------------------|--------------------|
| <b>TEREX®</b> | <b>PARTI DI RICAMBIO</b> | <b>SPARE PARTS</b> | <b>R1981 Rev.0</b> |
|---------------|--------------------------|--------------------|--------------------|

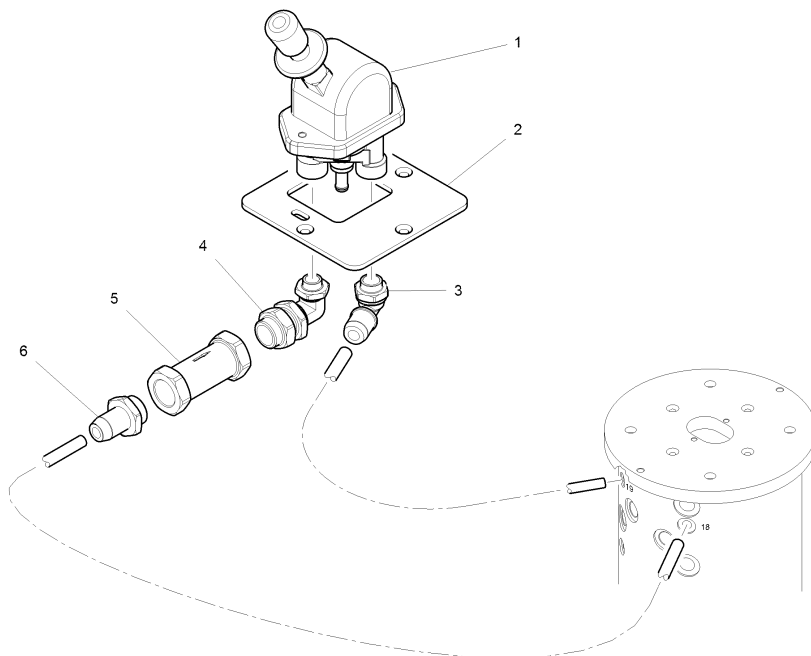


|              |                             |              |                       |
|--------------|-----------------------------|--------------|-----------------------|
| Descrizione: | <b>Centralina idraulica</b> | Description: | <b>Hydraulic unit</b> |
|--------------|-----------------------------|--------------|-----------------------|

| Rif. Ref. | Cod. P/N             | Q.tà Q.ty | Descrizione            | Description            | Beschreibung           | Description            | Descricion |
|-----------|----------------------|-----------|------------------------|------------------------|------------------------|------------------------|------------|
| 10        | 06.0422.0023.C<br>RE | 4         | RONDELLA DOWTY         | WASHER                 | SCHEIBE                | RONDELLE               |            |
| 4         | 06.0422.0026.C<br>RE | 1         | RONDELLA DOWTY 1"1/4   | WASHER                 | DICHTUNG               | JOINT                  |            |
| 12        | 04.0215.0092.C<br>RE | 12        | RIDUZIONE              | FITTING                | KUPPLUNG               | RACCORD                | CONEXIÓN   |
| 11        | 04.0215.0121.C<br>RE | 4         | RIDUZIONE              | FITTING                | ANSCHLUSS              | RACCORD                | CONEXIÓN   |
| 5         | 04.0215.0142.C<br>RE | 1         | NIPPLO RIDUZIONE       | FITTING                | ANSCHLUSS              | REDUCTION              |            |
| 3         | 04.0216.0101.C<br>RE | 2         | RACCORDO               | FITTING                | ANSCHLUSS              | RACCORD                | CONEXIÓN   |
| 7         | 04.0216.0131.C<br>RE | 1         | NIPLES                 | FITTING                | ANSCHLUSS              | JONCTION               | NIPLES     |
| 1         | 04.0235.2258.C<br>RE | 1         | GIUNTO ROTANTE 20 VIE  | HYDRAULIC SWIVEL       | DREHVERTEILER          | DISTRIBUTEUR TOURNANT  |            |
| 8         | 06.0422.0015.C<br>RE | 2         | RONDELLA DOWTY         | WASHER                 | SCHEIBE                | RONDELLE               | ARANDELA   |
| 2         | 06.0422.0018.C<br>RE | 14        | RONDELLA DOWTY         | WASHER                 | UNTERLEGSCHIEBE        | RONDELLE               | ARANDELA   |
| 6         | 06.0422.0027.C<br>RE | 2         | RONDELLA               | WASHER                 | DICHTUNG               | JOINT                  | ARANDELA   |
| 9         | 04.0215.0062.C<br>RE | 2         | RIDUZIONE              | FITTING                | ANSCHLUSS              | RACCORD                |            |
| 14        | 04.0220.0053.C<br>RE | 2         | TAPPO                  | PLUG                   | STOPFEN                | BOUCHON                |            |
| 13        | 06.0422.0014.C<br>RE | 2         | RONDELLA DOWTY         | WASHER                 | UNTERLEGSCHIEBE        | RONDELLE               | ARANDELA   |
| 15        | 05.0301.9914.C<br>RE | 4         | TERMINALE GIREVOLE     | JOINT                  | JOINT                  | JOINT                  |            |
| 16        | 05.0301.9933.C<br>RE | 2         | TERMINALE GIREVOLE 90° | TERMINALE GIREVOLE 90° | TERMINALE GIREVOLE 90° | TERMINALE GIREVOLE 90° |            |
| 17        | 05.0301.8528.C<br>RE | 2         | RACCORDO               | FITTING                | FITTING                | FITTING                |            |
| 23        | 49250.CRE            | 1         | FORCELLA ARRESTO       | FORK                   | GABEL                  | FOURCHE                | HORQUILLA  |

**TEREX®****RT45****Tavola/Drawing R1989 - Rev. 0**

|               |                          |                    |                    |
|---------------|--------------------------|--------------------|--------------------|
| <b>TEREX®</b> | <b>PARTI DI RICAMBIO</b> | <b>SPARE PARTS</b> | <b>R1989 Rev.0</b> |
|---------------|--------------------------|--------------------|--------------------|



|                     |                               |                     |                      |
|---------------------|-------------------------------|---------------------|----------------------|
| <i>Descrizione:</i> | <b>Freno di stazionamento</b> | <i>Description:</i> | <b>Parking brake</b> |
|---------------------|-------------------------------|---------------------|----------------------|

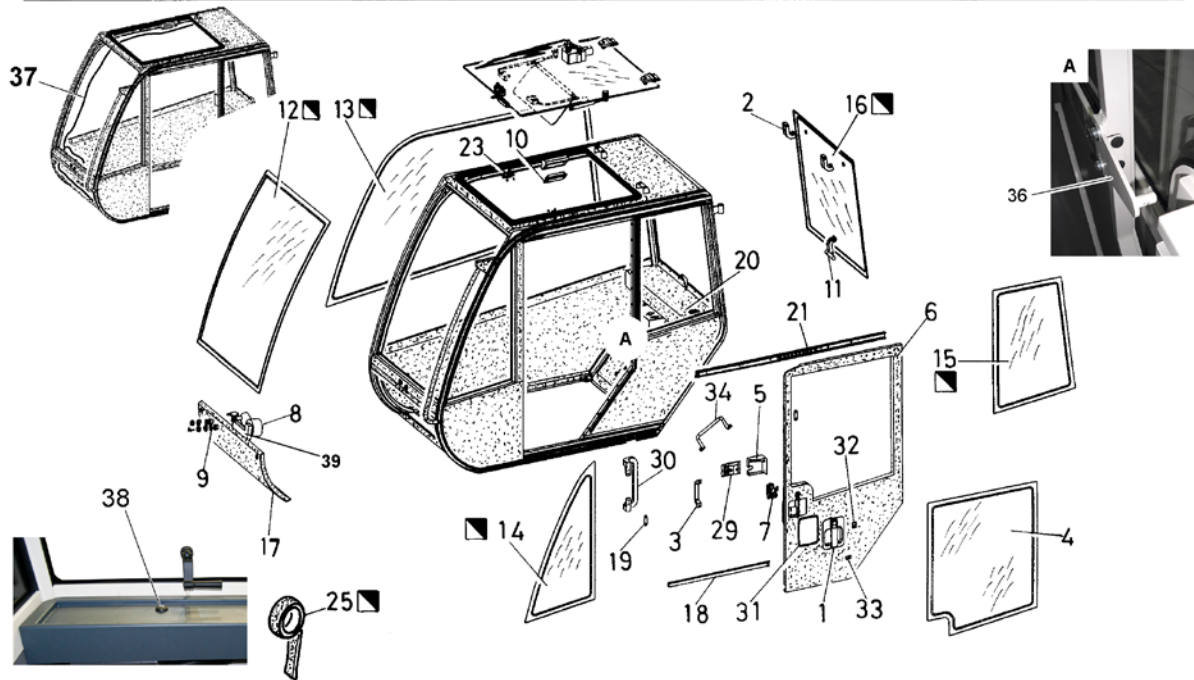
| Rif. Ref. | Cod. P/N     | Q.tà Q.ty | Descrizione | Description       | Beschreibung | Description        | Descripcion |
|-----------|--------------|-----------|-------------|-------------------|--------------|--------------------|-------------|
| 1         | 05.0343.0081 | 1         | MANETTINO   | AUX.BRAKE CONTROL | HANDHEBEL    | COMMANDE FREIN AUX | MANECILLA   |
| 2         | 46430        | 1         | SUPPORTO    | SUPPORT           | HALTERUNG    | SUPPORT            | SOPORTE     |
| 3         | 05.0301.9938 | 2         | RACCORDO    | FITTING           | ANSCHLUSS    | RACCORD            | CONEXIÓN    |
| 5         | 05.0343.0067 | 1         | VALVOLA     | VALVE             | VENTIL       | SOUPEPE            | VÁLVULA     |
| 6         | 05.0301.9943 | 1         | RACCORDO    | FITTING           | ANSCHLUSS    | RACCORD            | CONEXIÓN    |

## Tavola/Drawing R2113 - Rev. 3



### PARTI DI RICAMBIO

Codice: 35371  
Rev. 00 del 01.03.02




Modello  
A350 A400 A450 A600

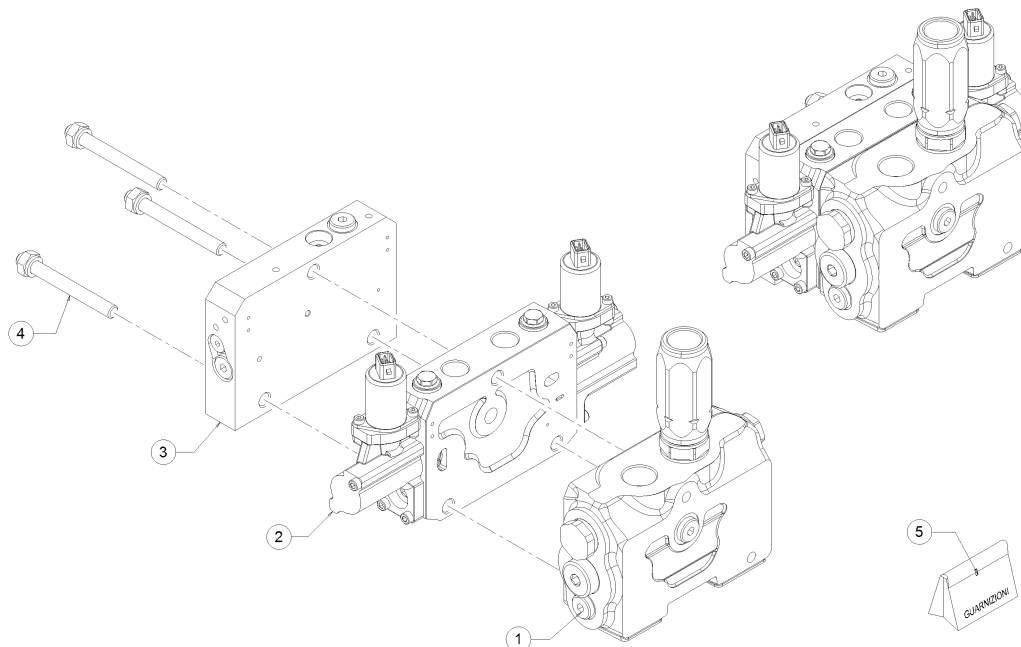
Descrizione:  
COMPONENTI SU CABINA DI GUIDA

**R2113** Rev.3

| Rif. Ref. | Cod. P/N          | Q.tà Q.ty | Descrizione             | Description           | Beschreibung          | Description           | Descrpcion            |
|-----------|-------------------|-----------|-------------------------|-----------------------|-----------------------|-----------------------|-----------------------|
| 0         | 37315             | 1         | CABINA                  | CAB                   | KABINE                | CABINE                | CABINA                |
| 1         | 09.0610.0484      | 1         | MANIGLIA                | HANDLE                | SCHÄKEL               | POIGNEE               | MANILLA               |
| 2         | 09.0610.1083      | 2         | CERNIERA                | HINGE                 | SCHARNIER             | CHARNIERE             | BISAGRA               |
| 3         | 09.0610.1084      | 1         | MANIGLIA                | HANDLE                | SCHÄKEL               | POIGNEE               | MANILLA               |
| 4         | 38616             | 1         | VETRO                   | GLASS                 | GLAS                  | GLACE                 | CRISTAL               |
| 5         | 09.0610.1085      | 1         | SCATOLA                 | BOX                   | KASTEN                | BOITE                 | CAJA                  |
| 6         | 38622             | 1         | PORTIERA                | DOOR                  | TÜR                   | PORTE                 | PUERTA                |
| 7         | 09.0610.1086      | 1         | KIT                     | KIT                   | SATZ                  | KIT                   | KIT                   |
| 8         | 09.0610.1079      | 1         | MOTORE                  | MOTOR                 | MOTOR                 | MOTEUR                | MOTOR                 |
| 9         | 09.0610.1087      | 4         | RONDELLA                | WASHER                | UNTERLEGSCHIEBE       | RONDELLE              | ARANDELA              |
| 10        | 08.0570.0152      | 1         | PLAFONIERA              | ROOF LAMP             | DECKENLEUCHE          | PLAFONNIER            | LÁMPARA DE PLAFÓN     |
| 11        | 09.0610.0466      | 1         | MANIGLIA                | HANDLE                | SCHÄKEL               | POIGNEE               | MANILLA               |
| 12        | 38617             | 1         | VETRO                   | GLASS                 | GLAS                  | GLACE                 | CRISTAL               |
| 13        | 38618             | 1         | VETRO                   | GLASS                 | GLAS                  | GLACE                 | CRISTAL               |
| 14        | 38619             | 1         | VETRO                   | GLASS                 | GLAS                  | GLACE                 | CRISTAL               |
| 15        | 38620             | 1         | VETRO                   | GLASS                 | GLAS                  | GLACE                 | CRISTAL               |
| 16        | 38621             | 1         | VETRO                   | GLASS                 | GLAS                  | GLACE                 | CRISTAL               |
| 17        | 38623             | 1         | CARTER                  | GUARD                 | GEHÄUSE               | CARTER                | PROTECCIÓN            |
| 18        | 09.0610.1088      | 1         | GUIDA                   | GUIDE                 | FÜHRUNG               | GUIDE                 | GUÍA                  |
| 19        | 09.0610.1089      | 2         | CARTER                  | GUARD                 | GEHÄUSE               | CARTER                | PROTECCIÓN            |
| 20        | 09.0610.1090      | 1         | CARTER                  | GUARD                 | GEHÄUSE               | CARTER                | PROTECCIÓN            |
| 21        | 09.0610.1091      | 1         | GUIDA                   | GUIDE                 | FÜHRUNG               | GUIDE                 | GUÍA                  |
| 23        | 09.0610.1058      | 2         | SUPPORTO                | SUPPORT               | HALTER                | SUPPORT               | SOPORTE               |
| 25        | 09.0610.1119      | 20        | GUARNIZIONE             | GASKET                | DICHTUNG              | JOINT D'ETANCHEITE    | JUNTA                 |
| 29        | 09.0610.0485      | 1         | MANIGLIA                | HANDLE                | SCHÄKEL               | POIGNEE               | MANILLA               |
| 30        | 09.0610.1093      | 1         | MANIGLIA                | HANDLE                | SCHÄKEL               | POIGNEE               | MANILLA               |
| 31        | 09.0610.1094      | 1         | GUARNIZIONE             | GASKET                | DICHTUNG              | JOINT D'ETANCHEITE    | JUNTA                 |
| 32        | 09.0610.1095      | 1         | GUARNIZIONE             | GASKET                | DICHTUNG              | JOINT D'ETANCHEITE    | JUNTA                 |
| 33        | 09.0610.1096      | 1         | GUARNIZIONE             | GASKET                | DICHTUNG              | JOINT D'ETANCHEITE    | JUNTA                 |
| 34        | 09.0610.1092      | 1         | MANIGLIA                | HANDLE                | SCHÄKEL               | POIGNEE               | MANILLA               |
| 36        | 09.0610.1763      | 1         | KIT SCONTRIO POSTERIORE | KIT SLIDING DOOR STOP | KIT SLIDING DOOR STOP | KIT SLIDING DOOR STOP | KIT SLIDING DOOR STOP |
| 37        | 09.0610.1171.C RE | 1         | CABLAGGIO               | WIRING                | WIRING                | WIRING                | WIRING                |
| 38        | 09.0610.1137.C RE | 1         | PRESA 24V               | 24V SOCKET            | 24V SOCKET            | 24V SOCKET            | 24V SOCKET            |
| 39        | 09.0610.1074      | 1         | PIASTRA                 | PLATE                 | PLATTE                | PLAQUE                | PLACA                 |

**Tavola/Drawing R2401 - Rev. 0**

|   |                          |                    |                    |
|---|--------------------------|--------------------|--------------------|
|  <b>TEREX®</b> | <b>PARTI DI RICAMBIO</b> | <b>SPARE PARTS</b> | <b>R2401 Rev.0</b> |
|---|--------------------------|--------------------|--------------------|

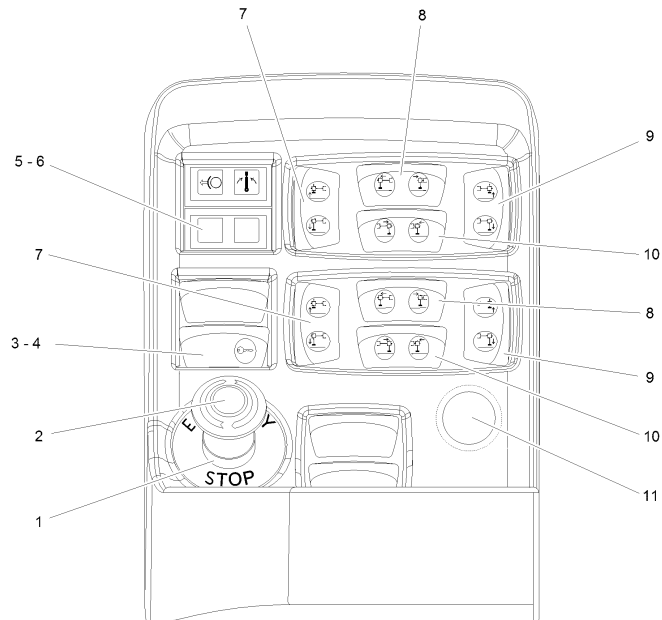


|   |  |
|---|--|
| <small>Descrizione:</small><br><b>Distributore rotazione 04.0236.0487.CRE</b> | <small>Description:</small><br><b>Slewing distributor 04.0236.0487.CRE</b> |
|---|--|

| Rif. Ref. | Cod. P/N             | Q.tà Q.ty | Descrizione          | Description     | Beschreibung    | Description     | Descrpcion |
|-----------|----------------------|-----------|----------------------|-----------------|-----------------|-----------------|------------|
| 1         | 07.0516.0147.C<br>RE | 1         | ELEMENTO DI TESTA    | HEAD ELEMENT    | HEAD ELEMENT    | HEAD ELEMENT    |            |
| 2         | 07.0516.0148.C<br>RE | 1         | ELEMENTO CENTRALE    | CENTRAL ELEMENT | CENTRAL ELEMENT | CENTRAL ELEMENT |            |
| 3         | 07.0516.0149.C<br>RE | 1         | ELEMENTO DI CHIUSURA | FINAL ELEMENT   | FINAL ELEMENT   | FINAL ELEMENT   |            |
| 5         | 07.0516.0150.C<br>RE | 1         | KIT GUARNIZIONI      | GASKET KIT      | GASKET KIT      | GASKET KIT      |            |

**TEREX®****RT45****Installation électrique****Tavola/Drawing R2012 - Rev. 1**

|               |                          |                    |                    |
|---------------|--------------------------|--------------------|--------------------|
| <b>TEREX®</b> | <b>PARTI DI RICAMBIO</b> | <b>SPARE PARTS</b> | <b>R2012 Rev.1</b> |
|---------------|--------------------------|--------------------|--------------------|



|                     |                           |                     |                       |
|---------------------|---------------------------|---------------------|-----------------------|
| <i>Descrizione:</i> | <b>Cruscotto laterale</b> | <i>Description:</i> | <b>Side dashboard</b> |
|---------------------|---------------------------|---------------------|-----------------------|

| Rif. Ref. | Cod. P/N             | Q.tà Q.ty | Descrizione                         | Description                  | Beschreibung                 | Description                    | Descripcion |
|-----------|----------------------|-----------|-------------------------------------|------------------------------|------------------------------|--------------------------------|-------------|
| 2         | 08.0559.0217.C<br>RE | 1         | FUNGO                               | MASHROOM BUTTON              | MASHROOM BUTTON              | BOUTON EN FORME DE CHAMPIGNON  |             |
| 3         | 08.0559.0260.C<br>RE | 1         | INTERRUTTORE                        | SWITCH                       | SWITCH                       | SWITCH                         |             |
| 4         | 08.0559.0259.C<br>RE | 1         | BASCULANTE CHIAVE                   | PUSH BUTTON                  | PUSH BUTTON                  | PUSH BUTTON                    |             |
| 6         | 08.0559.0591.C<br>RE | 2         | SPIA DOPPIA COMPLETA DI LAMPADE 24V | WARNING LIGHT                | WARNING LIGHT                | AMPOULE                        |             |
| 7         | 08.0559.0210.C<br>RE | 2         | PULSANTE D/S STABILIZZATORE SX      | BUTTON                       | BUTTON                       | BOUTON DU STABILISATEUR GAUCHE |             |
| 8         | 08.0559.0208.C<br>RE | 2         | PULSANTE U/R TRAVE SX               | LEFT BEAM TEL/RECTR.BUTTON   | LEFT BEAM TEL/RECTR.BUTTON   | BOUTON DE LA POUTRE GAUCHE     |             |
| 9         | 08.0559.0211.C<br>RE | 2         | PULSANTE D/S STABILIZZATORE DX      | BUTTON                       | BUTTON                       | BOUTON DU STABILISATEUR DROIT  |             |
| 10        | 08.0559.0209.C<br>RE | 2         | PULSANTE U/R TRAVE DX               | RIGHT BEAM TEL/RECTR. BUTTON | RIGHT BEAM TEL/RECTR. BUTTON | BOUTON DE LA POUTRE DROIT      |             |
| 11        | 08.0563.0103.C<br>RE | 1         | TAPPO                               | PLUG                         | BOUCHON                      | VERSCHLUSS                     |             |

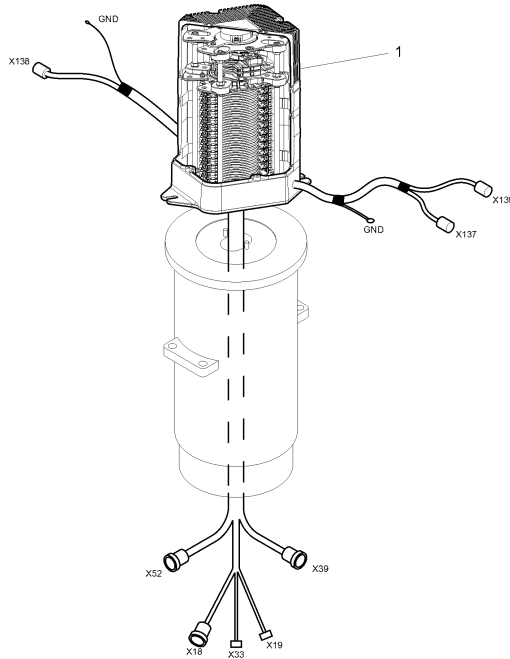


**TEREX®**

# RT45

Tavola/Drawing R2218 - Rev. 0

|               |                          |                    |                    |
|---------------|--------------------------|--------------------|--------------------|
| <b>TEREX®</b> | <b>PARTI DI RICAMBIO</b> | <b>SPARE PARTS</b> | <b>R2218 Rev.0</b> |
|---------------|--------------------------|--------------------|--------------------|



|                     |                             |                     |                          |
|---------------------|-----------------------------|---------------------|--------------------------|
| <i>Descrizione:</i> | <b>Collettore elettrico</b> | <i>Description:</i> | <b>Electric manifold</b> |
|---------------------|-----------------------------|---------------------|--------------------------|

| Rif.<br>Ref. | Cod.<br>P/N | Q.tà<br>Q.ty | Descrizione             | Description       | Beschreibung      | Description       | Descricion        |
|--------------|-------------|--------------|-------------------------|-------------------|-------------------|-------------------|-------------------|
| 1            | 52203.CRE   | 1            | COLLETTORE<br>ELETTRICO | ELECTRIC SLIPRING | ELECTRIC SLIPRING | ELECTRIC SLIPRING | ELECTRIC SLIPRING |

CLICK HERE TO **DOWNLOAD** THE COMPLETE MANUAL

- Thank you very much for reading the preview of the manual.
- You can download the complete manual from: [www.heydownloads.com](http://www.heydownloads.com) by clicking the link below



- Please note: If there is no response to CLICKING the link, please download this PDF first and then click on it.

CLICK HERE TO **DOWNLOAD** THE COMPLETE MANUAL