

**TS-75M-1-12200 LOWER,NISSAN DIESEL KK-MK25ABH**

PX1000671-01 MOUNTING PARTS

PY1000896-00 OPTIONS

ASSEMBLY

CLICK HERE TO **DOWNLOAD** THE COMPLETE MANUAL

- Thank you very much for reading the preview of the manual.
- You can download the complete manual from: [www.heydownloads.com](http://www.heydownloads.com) by clicking the link below



- Please note: If there is no response to CLICKING the link, please download this PDF first and then click on it.

CLICK HERE TO **DOWNLOAD** THE COMPLETE MANUAL

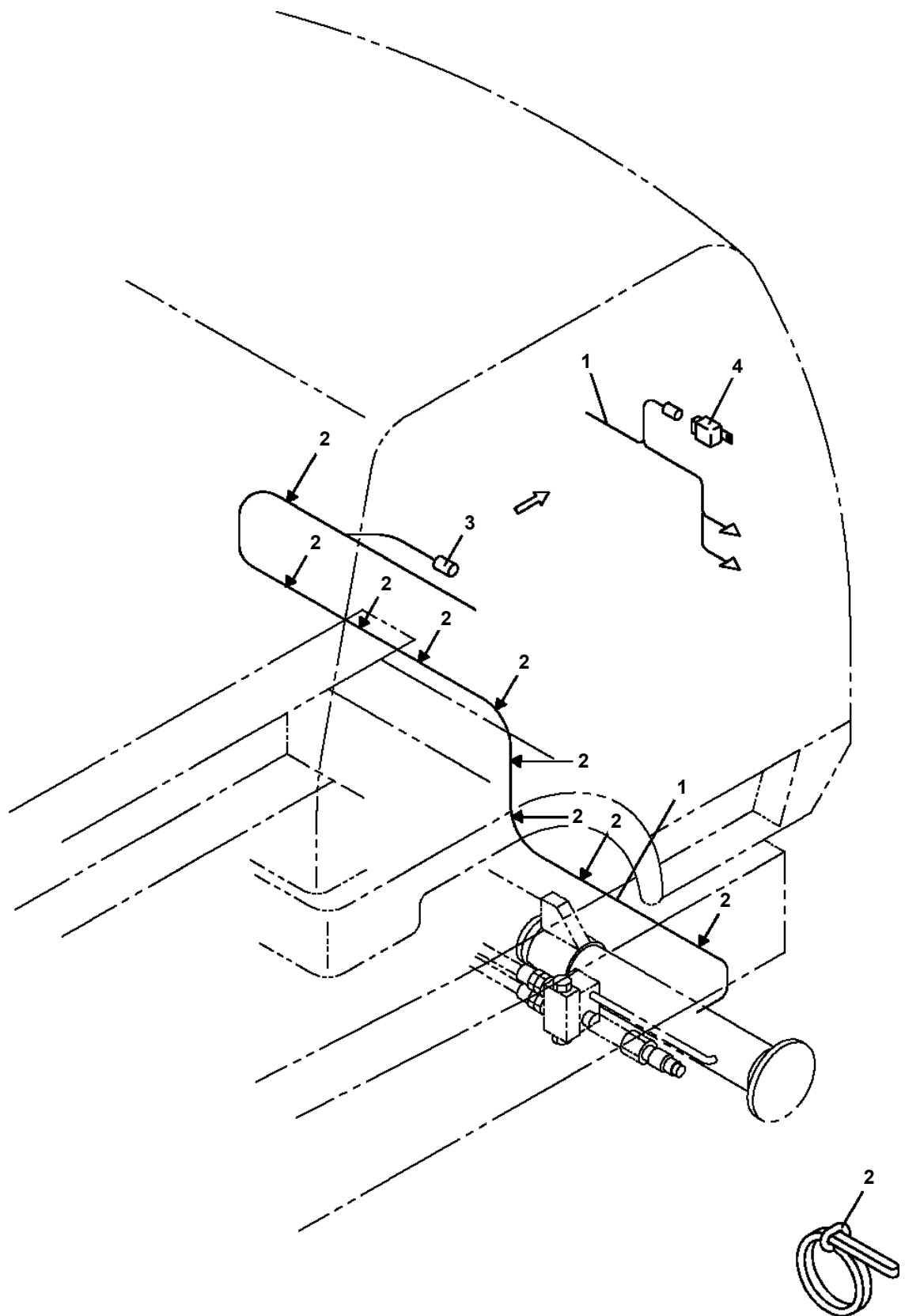
# TS-75M-1-12200 LOWER,NISSAN DIESEL KK-MK25ABH

Pos No.	Parts No	Parts Name	Qty	Unit	Technical Data	Serial No (Start)	Serial No (End)	Remark
1	90101508020	BOLT	8		M8X20			
2	90302040801	WASHER,SPRING	8		8			
3	36301960000	SHAFT,PROPELLER (PUMP)	1					
21	36300110010	COUPLING	1					
22	36301960010	PIPE	1					
23	36300110020	COUPLING	1					
31	36300115010	JOINT KIT	2					
34	82456101000	NIPPLE,GREASE	1		A-PT1/8			

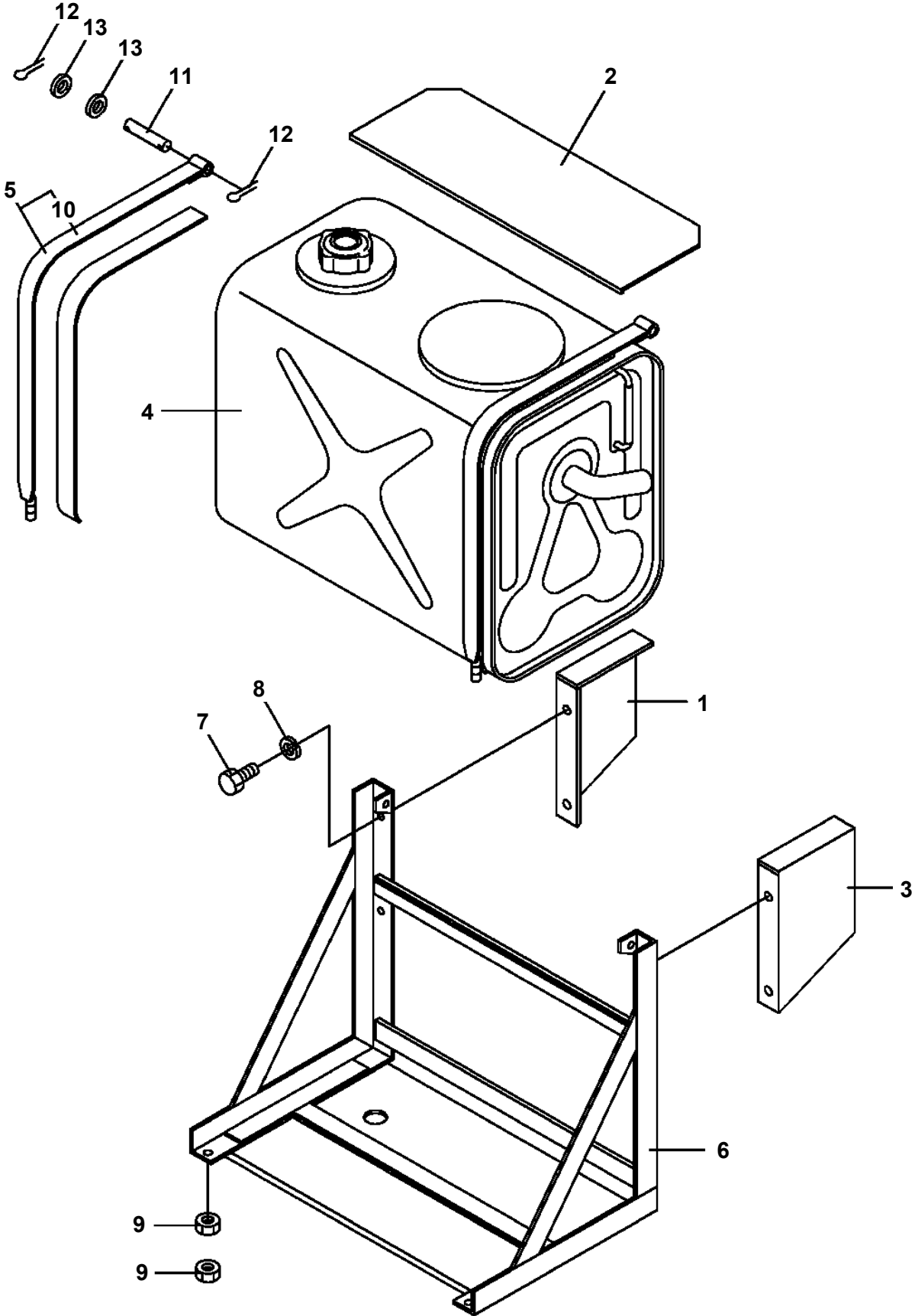
# TS-75M-1-12200 LOWER,NISSAN DIESEL KK-MK25ABH

Pos No.	Parts No	Parts Name	Qty	Unit	Technical Data	Serial No (Start)	Serial No (End)	Remarks	Pages
1	32772350100	PLATE	1						
2	32860192000	SUPPORT	1						
3	37000168650	PIN	1						
4	53617035000	PIN,SNAP	1						
5	37000108100	PIN	1						
6	80136340028	PIN,SPLIT	1		4X28				
7	37000560000	PLATE	1						
8	90201201000	NUT	1		M10				
9	90101210020	BOLT	1		M10X20				
10	90302041001	WASHER,SPRING	1		10				

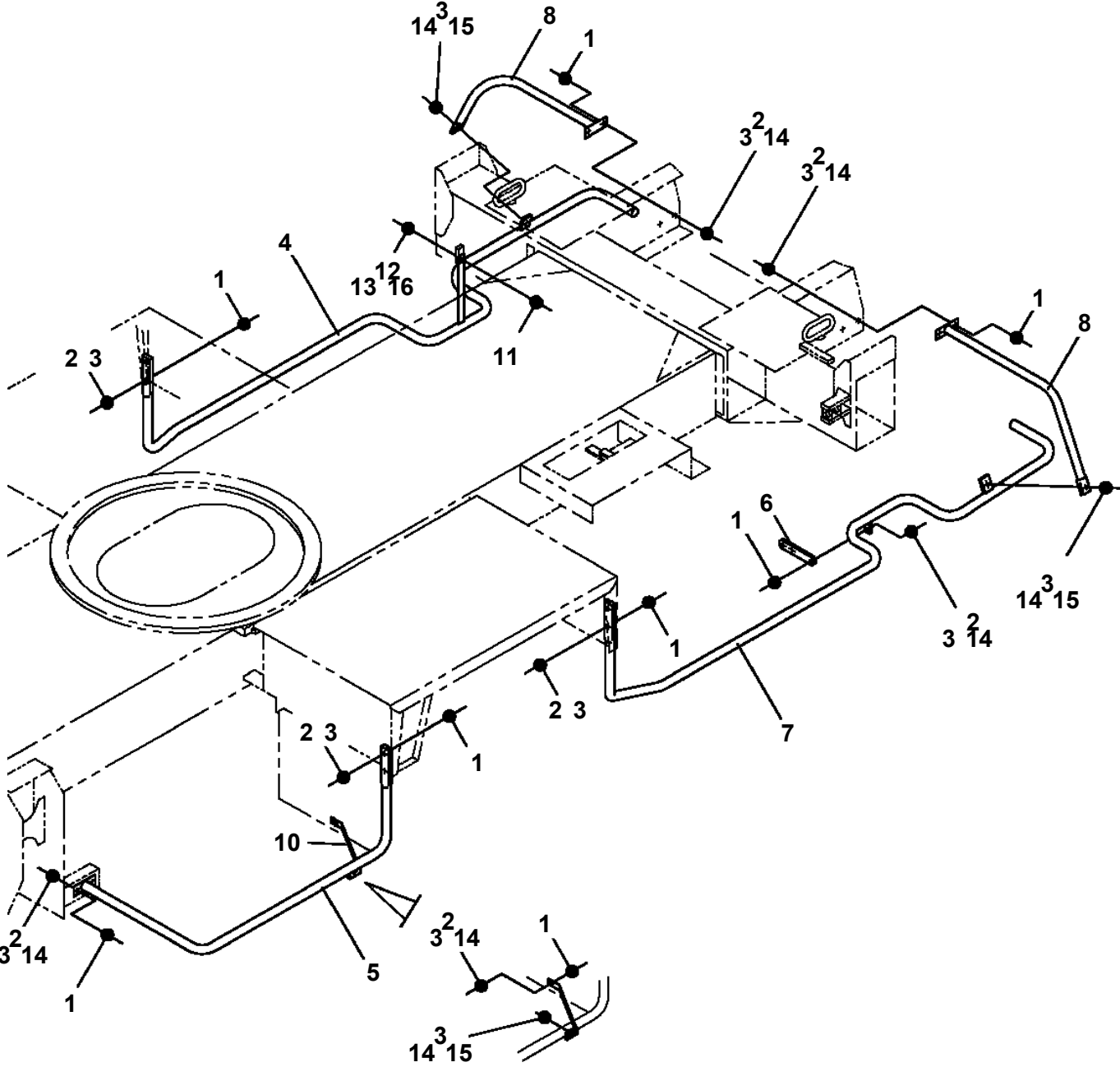
**TS-75M-1-12200 LOWER,NISSAN DIESEL KK-MK25ABH  
PN1011520-01 ELEC.ASSY (FRONT JACK)**



**TS-75M-1-12200 LOWER,NISSAN DIESEL KK-MK25ABH  
PX1100069-02 TANK SUPPORT INSTALLATION**



**TS-75M-1-12200 LOWER,NISSAN DIESEL KK-MK25ABH  
PX1200342-00 SIDE GUARD INSTALLATION**



CLICK HERE TO **DOWNLOAD** THE COMPLETE MANUAL

- Thank you very much for reading the preview of the manual.
- You can download the complete manual from: [www.heydownloads.com](http://www.heydownloads.com) by clicking the link below



- Please note: If there is no response to CLICKING the link, please download this PDF first and then click on it.

CLICK HERE TO **DOWNLOAD** THE COMPLETE MANUAL