

# **TC-4255-1-00200 FOR CHINA**

**PK1000616-00 CHASSIS SECTION**

**PK2000677-00 CAB SECTION**

**PO1000155-01 INDICATION PLATES**

**PQ2000003-00 ENGINE SECTION**

**PR1000123-00 DRIVE TRAIN SECTION**

**PT1000131-00 PIPING SECTION**

**PW1000097-02 ACCESSORIES & TOOLS**

**PX1000808-00 MOUNTING SECTION**

**PY1000373-00 OPTIONS**

**ASSEMBLY**

CLICK HERE TO **DOWNLOAD** THE COMPLETE MANUAL

- Thank you very much for reading the preview of the manual.
- You can download the complete manual from: [www.heydownloads.com](http://www.heydownloads.com) by clicking the link below



- Please note: If there is no response to CLICKING the link, please download this PDF first and then click on it.

CLICK HERE TO **DOWNLOAD** THE COMPLETE MANUAL

# TC-4255-1-00200 FOR CHINA

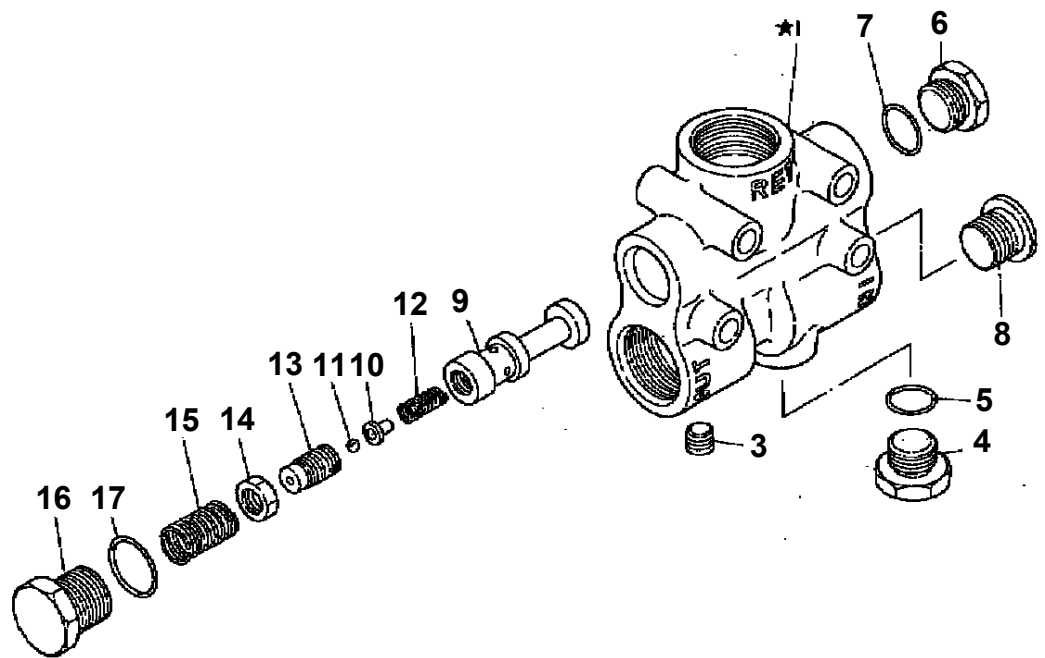
Pos No.	Parts No	Parts Name	Qty	Unit	Technical Data	Serial No (Start)	Serial No (End)	Remark
1	(*****)	CLUTCH	1					
2	(*****)	OPE.ASSY,TRANSMISSION	1					
3	(*****)	TRANSMISSION	1					
4	(*****)	SHAFT,PROPELLER	1					
5	(*****)	AXLE (FRONT)	1					
6	(*****)	AXLE (REAR)	1					
7	24031077017	TIRE	13					
8	37003901410	WHEEL,TIRE	13					
9	(*****)	ROD,TORQUE (REAR)	1					
10	(*****)	PIPING,BOOSTER (CLUTCH)	1					
11	(*****)	MOUNT (TRNSMISSION)	1					

## TC-4255-1-00200 FOR CHINA

PQ1010028-00 ENGINE (COMPRESSOR,AIR/INNER PARTS)  
PQ1010029-00 ENGINE (PUMP,HYDRAULIC/FITTING PARTS)  
PQ1010030-00 ENGINE (PUMP,HYDRAULIC/INNER PARTS)  
PQ1010031-00 ENGINE (PUMP,OIL/FITTING PARTS)  
PQ1010032-00 ENGINE (PUMP,OIL/INNER PARTS)  
PQ1010033-00 ENGINE (FILTER,OIL/FITTING PARTS)  
PQ1010034-00 ENGINE(FILTER,OIL/INNER PARTS:FULL FLOW)  
PQ1010035-00 ENGINE (FILTER,OIL/INNER PARTS:BY PASS)  
PQ1010036-00 ENGINE (FILTER,FUEL/FITTING PARTS)  
PQ1010037-00 ENGINE (FILTER,FUEL/INNER PARTS)  
PQ1010038-00 ENGINE (MANIFOLD,AIR INTAKE/AUTO AFTER H  
PQ1010039-00 ENGINE (PIPING,FUEL)  
PQ1010040-00 ENGINE (NOZZLE & HOLDER/INNER PARTS)  
PQ1010041-00 ENGINE (PUMP,FUEL INZECTION)  
PQ1010042-00 ENGINE (PUMP,INZECTION/INNER PARTS)  
PQ1010043-00 ENGINE (GOVERNOR/INNER PARTS)  
PQ1010044-00 ENGINE (TIMER,AUTOMATIC/INNER PARTS)  
PQ1010045-00 ENGINE (PUMP,FEED/INNER PARTS)  
PQ1010046-00 ENGINE (COUPLING/INNER PARTS)  
PQ1010047-00 ENGINE (ACTUATOR,PRESAT/INNER PARTS)  
PQ1010048-00 ENGINE (SUPPORT,PUMP/INNER PARTS)  
PQ1010049-00 ENGINE (SHUTTER,EXHAUST/FITTING PARTS)  
PQ1010050-00 ENGINE(SHUTTER,EXHAUST/INNER PARTS)  
PQ1010051-00 ENGINE (PUMP,WATER/FITTING PARTS)  
PQ1010052-00 ENGINE (PUMP,WATER/INNER PARTS)  
PQ1010053-00 ENGINE (COOLING SYSTEM,FAN)  
PQ1010054-00 ENGINE (COOLING SYSTEM,WATER)  
PQ1010055-00 ENGINE (COOLER,OIL)  
PQ1010056-00 ENGINE (GENERATOR/FITTING PARTS)  
PQ1010057-00 ENGINE (GENERATOR/INNER PARTS)  
PQ1010058-00 ENGINE (MOTOR,STARTING/FITTING PARTS)  
PQ1010059-00 ENGINE (MOTOR,STARTING/INNER PARTS)  
PQ1020094-00 RADIATOR  
PQ1020095-00 RADIATOR  
PQ1040064-00 EXHAUST  
PQ1060044-00 AIR INTAKE  
PQ1070042-00 CLEANER,AIR  
PQ1100045-00 TANK,FUEL  
PQ1180001-00 CLUTCH  
PQ1180002-00 CLUTCH (COVER & DISK)  
PQ1180003-00 CLUTCH (HOUSING)  
PQ1180004-00 CLUTCH (BOOSTER/FITTING PARTS)  
PQ1180005-00 CLUTCH (COVER)  
PQ1180006-00 CLUTCH (BOOSTER/INNER PARTS)  
PQ1260001-00 PIPING,OIL COOLER  
PR1010022-01 OPE.ASSY,TRANSMISSION  
PR1060010-00 OPE.ASSY,CLUTCH (PEDAL)  
PR1400046-00 TRANSMISSION  
PR1400048-00 TRANSMISSION (POWER TAKE OFF)  
PR1400049-00 TRANSMISSION (CASE)  
PR1400050-00 TRANSMISSION (GEAR)  
PR1400051-00 TRANSMISSION (PUMP & FILTER,OIL)  
PR1400052-00 TRANSMISSION (COVER)  
PR1400053-00 TRANSMISSION (POWER SHIFT)  
PR1580003-00 PIPING,TRANSMISSION (GEAR SHIFT)  
PR1600088-00 SHAFT,PROPELLER  
PR1600091-00 SHAFT,PROPELLER  
PR1600092-00 SHAFT,PROPELLER  
PR1600095-00 SHAFT,PROPELLER  
PR1780002-00 CYLINDER,CLUTCH  
PR1800025-00 TIRE  
PR1820024-00 WHEEL,TIRE  
PR1820025-00 WHEEL,TIRE  
PR2010061-00 AXLE (FRONT)

TC-4255-1-00200 FOR CHINA  
 PI1160046-00 VALVE, FLOW CONTROL

C497B

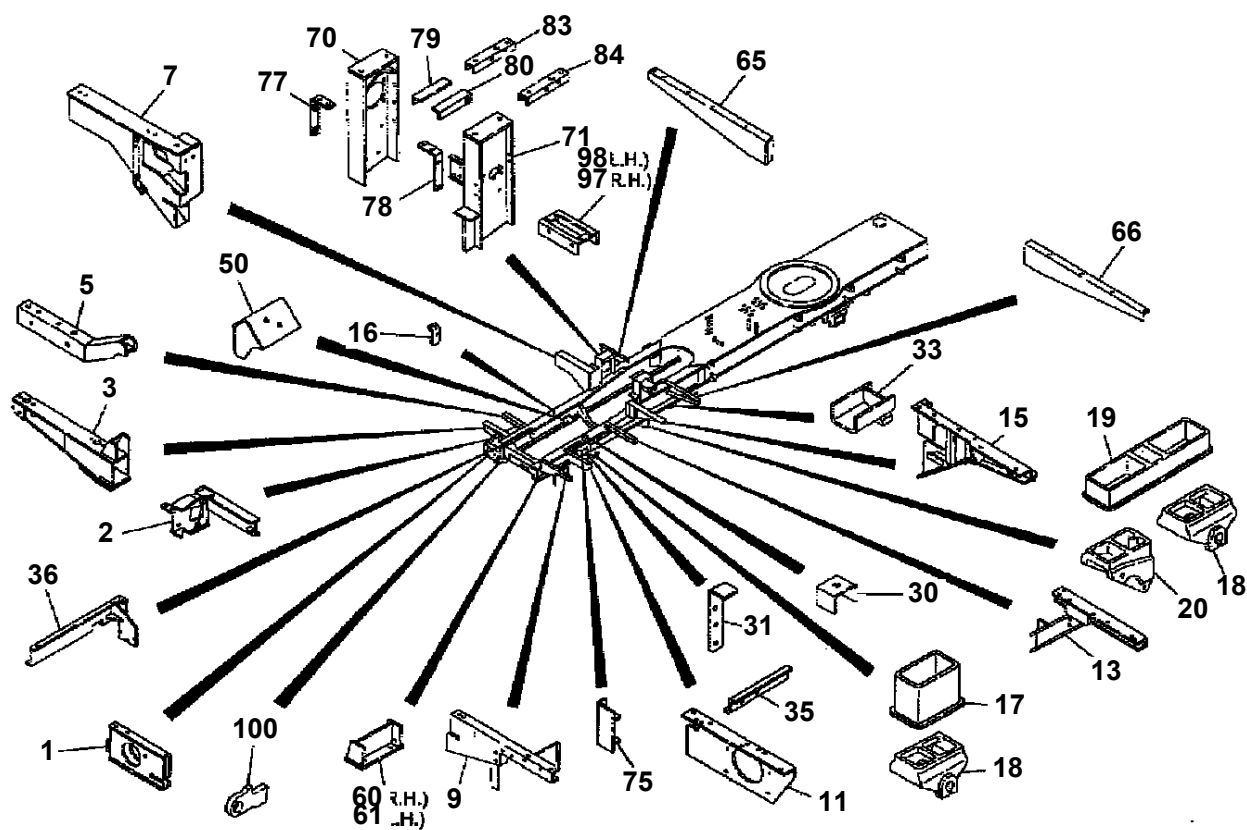


KEY NO. 1 - 17 VALVE ASSY-CONTROL (ASSY KEY NC200)  
 KEY NO. 9 - 14 VALVE ASSY (ASSY KEY NC100)

★印は非販売部品です。  
 各々のASSYにて御注文下さい。  
 NOTE: The Mark★ shown in the Key No. of the  
 figure is not for sale individually.  
 Please place an order as each Assembly.

TC-4255-1-00200 FOR CHINA  
 PK1011077-00 FRAME

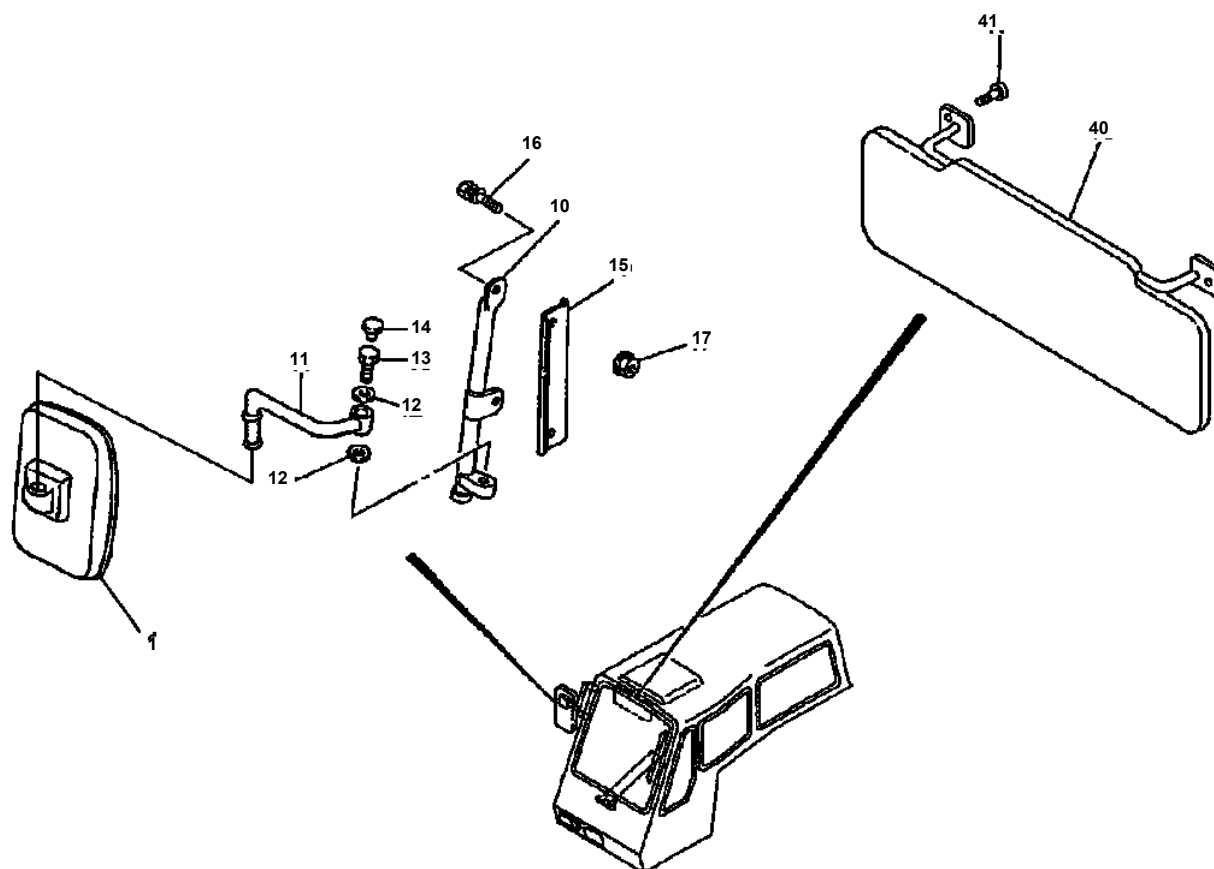
C500A-1



★印は非販売部品です。  
 各々のASSYにて御注文下さい。  
 NOTE: The Mark★ shown in the Key No. of the figure is not for sale individually.  
 Please place an order as each Assembly.

TC-4255-1-00200 FOR CHINA  
PK1140182-01 CAB, OPERATOR (MIRROR & SUNVISOR)

W963

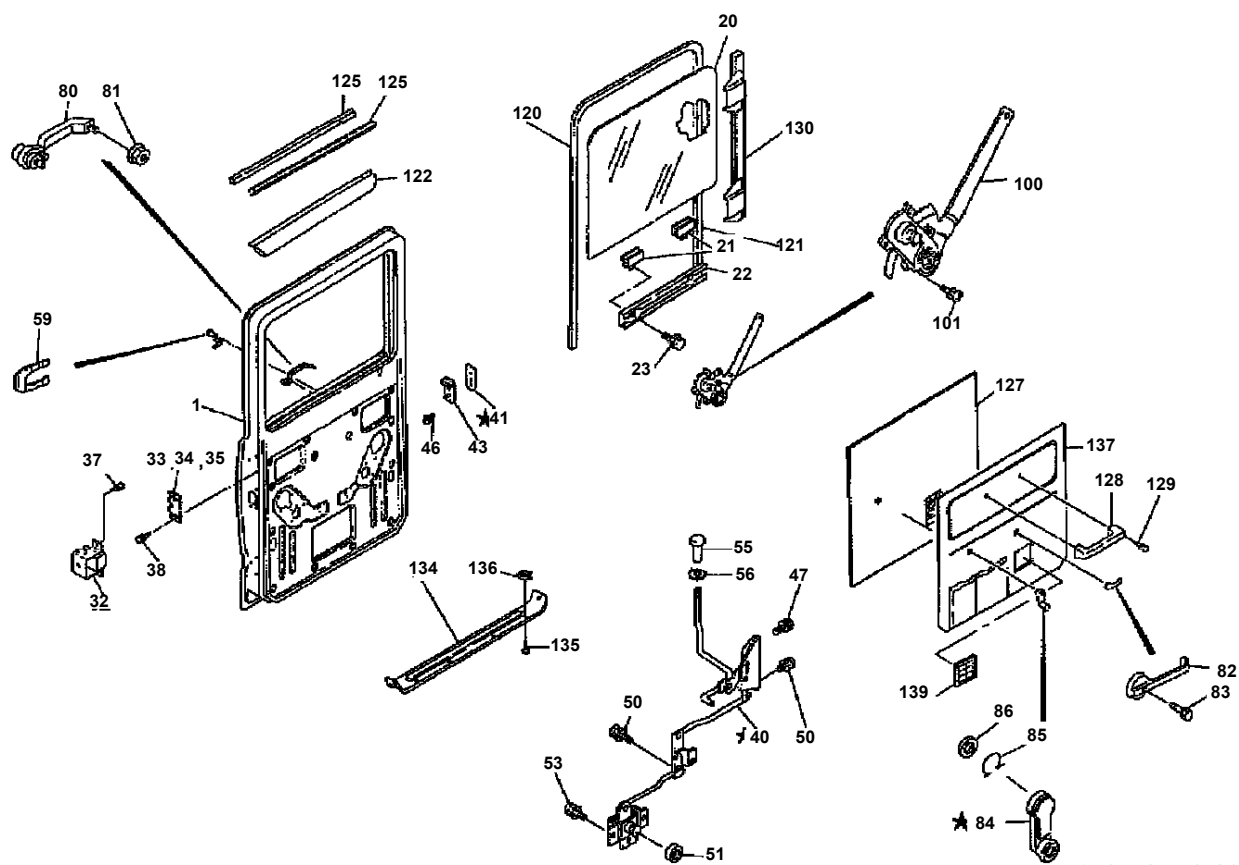


注：本図は右ハンドル車向けの図面です。  
部品取付位置は左右逆になります。  
NOTE: This illustration is for right-hand drive.  
The actual location of the parts is left-right reverse.

★印は非販売部品です。  
各々のASS'Yにて御注文下さい。  
NOTE: The Mark★ shown in the Key No. of the  
figure is not for sale individually.  
Please place an order as each Assembly.

**TC-4255-1-00200 FOR CHINA  
PK1140186-01 CAB, OPERATOR (DOOR)**

W800

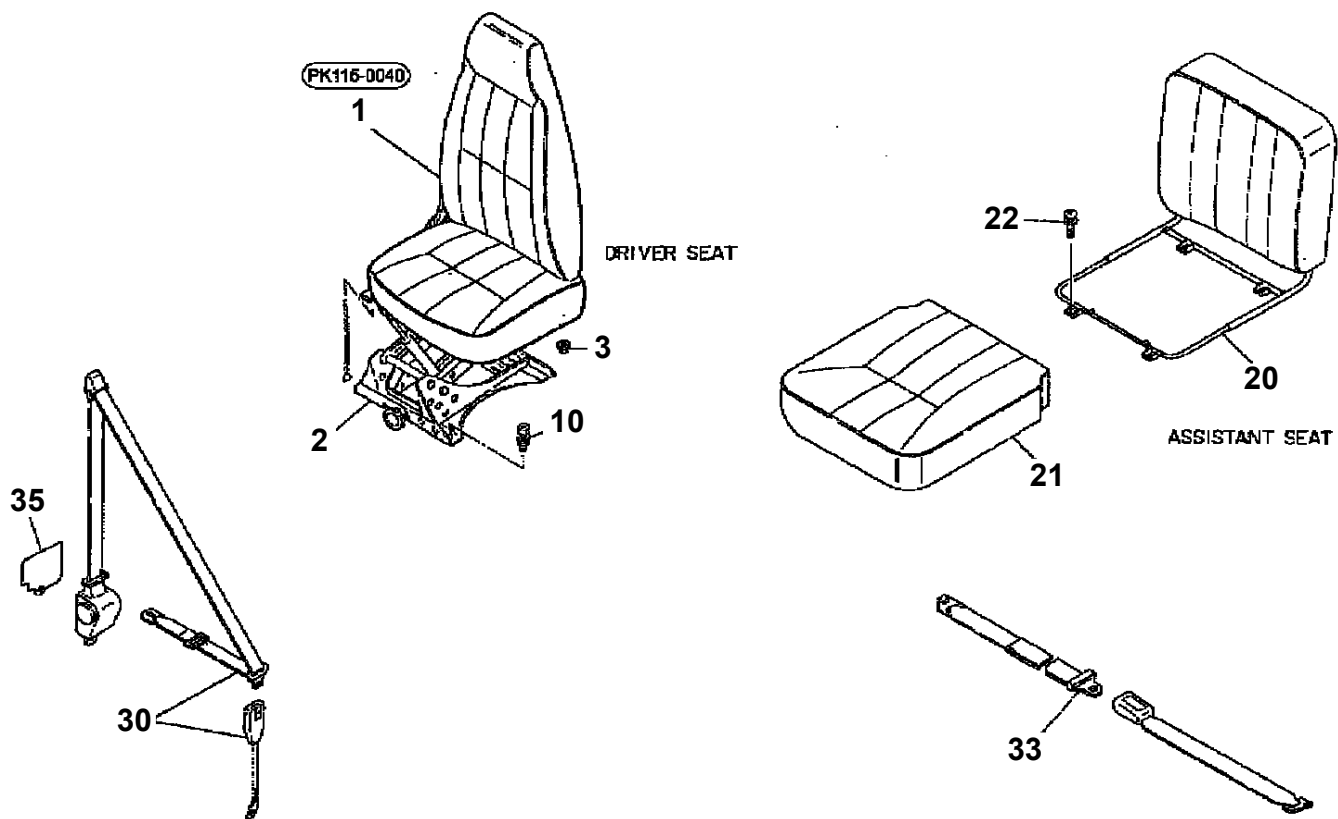


KEY NO. 1 - 139 DOOR COMPLETE (L.H. STEERING) (ASSY KEY NO. 300)  
 KEY NO. 40 - 43 LOCK ASSY-DOOR (ASSY KEY NO. 150)  
 KEY NO. 84 - 86 HANDLE ASSY (ASSY KEY NO. 160)

注：本図は右ハンドル車向けの図面です。  
 部品取付位置は左右逆になります。  
 NOTE: This illustration is for right-hand drive.  
 The actual location of the parts is left-right reverse.  
 ★印は非販売部品です。  
 各々のASSYにて御注文下さい。  
 NOTE: The Mark★ shown in the Key No. of the  
 figure is not for sale individually.  
 Please place an order as each Assembly.

**TC-4255-1-00200 FOR CHINA  
PK1150039-00 SEAT, OPERATOR**

W860A

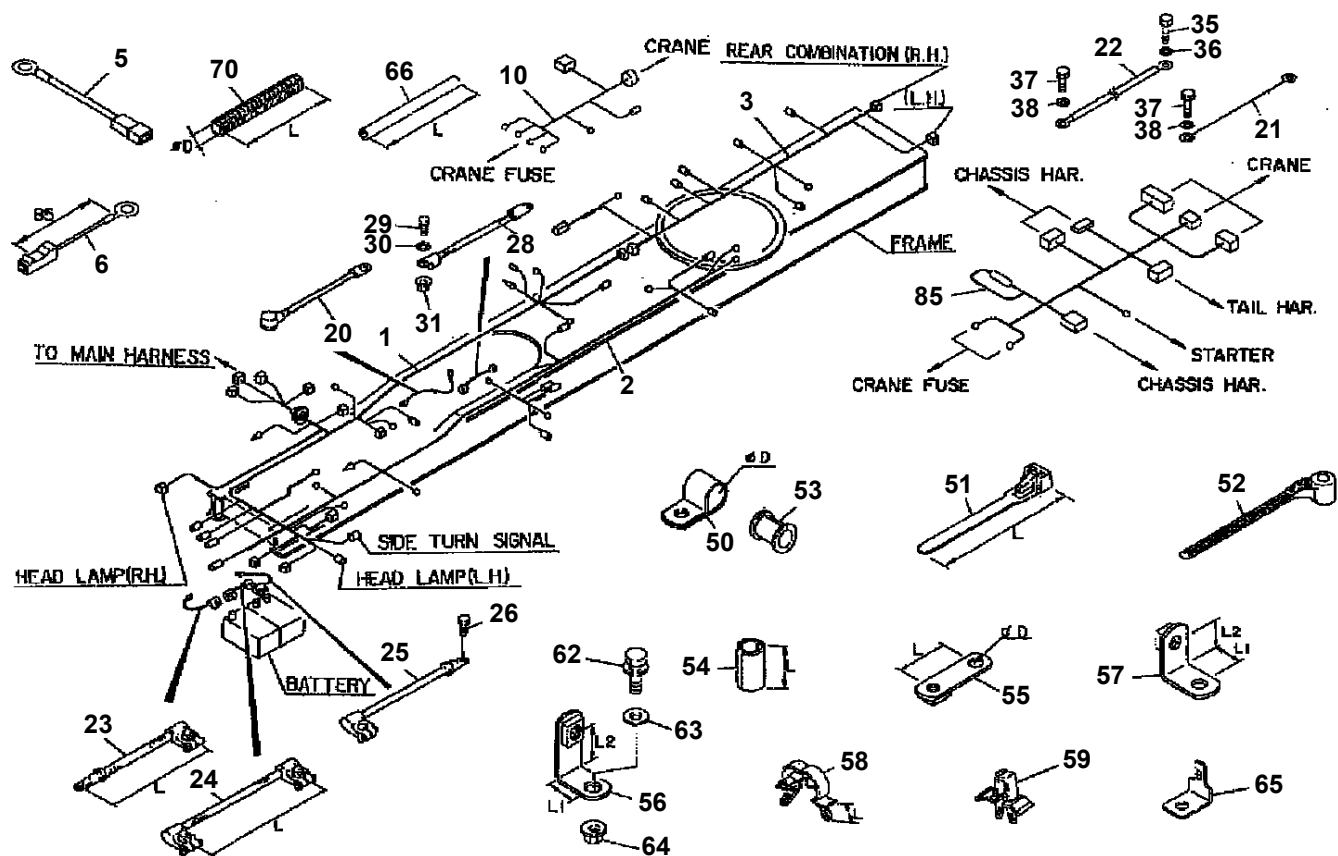


KEY NO. 1 - 3 SEAT ASSY-DRIVER (ASSY KEY NC **50**)  
KEY NO. 20, 21 SEAT ASSY-ASSISTANT (ASSY KEY NC **60**)

★印は非販売部品です。  
各々のASSYにて御注文下さい。  
NOTE: The Mark★ shown in the Key No. of the figure is not for sale individually.  
Please place an order as each Assembly.

TC-4255-1-00200 FOR CHINA  
 PN1014083-00 ELEC.ASSY

C241A



★印は非販売部品です。  
 各々のASSYにて御注文下さい。  
 NOTE: The Mark★ shown in the Key No. of the  
 figure is not for sale individually.  
 Please place an order as each Assembly.

## TC-4255-1-00200 FOR CHINA

Pos No.	Parts No	Parts Name	Qty	Unit	Technical Data	Serial No (Start)	Serial No (End)	Rema
2	22431577079	COVER-FUSE BOX	1					
3	22431577105	COVER-FUSE BOX	1					
4	22431577101	COVER-FUSE BOX	1					
5	22431577067	COVER-FUSE BOX	1					
6	22431175000	FUSE ASSY-BLADE, 10A	15					
	22431275000	FUSE ASSY-BLADE, 15A	4					
	22431375000	FUSE ASSY-BLADE, 5A	2					
7	22407872003	DIODE, ET02-2W	N					
	22433595000	DIODE, S10FL	N					
10	27684070001	PROTECTOR-RUBBER	3					
15	20193100014	SPACER	2					
16	20831354025	SCREW	2					
31	22400477204	HARNESS ASSY-SUB	1					
40	22402877001	HARNESS ASSY-SUB	1					
45	22401177000	HARNESS ASSY (BODY SIDE)	1					
46	22401177013	HARNESS ASSY	1					
50	22400277005	HARNESS ASSY-UNIT	1					
55	22400477008	HARNESS ASSY-SUB	1					
56	20155116104	CLIP (D=14)	2					
61	22541599003	FUSE (50A)	2					
70	20836061620	SCREW	1					
71	22422090001	CLIP	1					
80	22401077214	HARNESS ASSY-MAIN	1					
90	22541090210	BOX ASSY-FUSE (50A)	1					

# TC-4255-1-00200 FOR CHINA

Pos No.	Parts No	Parts Name	Qty	Unit	Technical Data	Serial No (Start)	Serial No (End)
231	20836361225	BOLT,W/WASHER	10				
235	20155100093	CLIP (L=70)	1				
	20155100013	CLIP (L=45)	2				
240	22564000712	BUZZER ASSY-BRAKE	1				
241	20831061298	SCREW,W/WASHER	1				
250	22515172002	CONTROL UNIT (WATER LEVEL)	1				
251	20831061298	SCREW,W/WASHER	2				

# TC-4255-1-00200 FOR CHINA

Pos No.	Parts No	Parts Name	Qty	Unit	Technical Data	Serial No (Start)	Serial No (End)	Remark
9	80172304025	SCREW,MACHINE	2		M4X25			
10	90201200400	NUT	2		M4			
30	35780220100	LAMP (TURN SIGNAL/LEFT)	1					

## TC-4255-1-00200 FOR CHINA

Pos No.	Parts No	Parts Name	Qty	Unit	Technical Data	Serial No (Start)	Serial No (End)	Rem
2	21645797062	LABEL-CAUTION,FUEL FLTR	1					
3	29706177004	CAUTION LABEL-TRANS CONT	1					
4	29705178004	PLATE-CAUTION	1					
5	21659597120	PLATE-REMARK,CYCLONE	1					
6	21659597078	PLATE-CAUTION	1					
7	29706178008	PLATE-CAUTION	1					
8	21528797073	LABEL-CAUTION,O/F	1					
10	22511361000	PLATE-CAUTION	1					
11	21845161001	PLATE-CAUTION	1					
12	(*****)	PLATE-CAUTION	1					
13	(*****)	LABEL-FUSE	1					
14	22148990006	LABEL-CAUTION,LLC	1					
15	29707630707	LABEL-CAUTION	1					
16	29706078005	PLATE-CAUTION	1					
17	29705400715	LABEL-CAUTION	1					

## TC-4255-1-00200 FOR CHINA

Pos No.	Parts No	Parts Name	Qty	Unit	Technical Data	Serial No (Start)	Serial No (End)	Remarks
1	21103761000	GASKET,CAM END	1					
2	21112161000	GASKET,OIL PAN	1					
3	21526962000	GASKET,OIL FILLER	2					
4	20100122004	O RING,OIL FILLER	1					
5	21303796065	GASKET,FR. COVER	1					
6	21227770000	SEAL-OIL	1					
7	21306895002	GASKET	1					
8	20100122034	O RING	1					
9	21303596010	GASKET,GEAR CASE	1					
10	21103396010	GASKET,CAMCHAMBER	2					
11	21104690003	RING-RUBBER	3					
12	21233296011	GASKET,FLY.HOUSING	2					
13	21227096005	SEAL-OIL (W/SLEEVE)	1					
14	21304976000	GASKET-POINTER	2					
15	21106296017	GASKET,HEAD SIDE	3					
16	22101996013	O RING	1					
17	21104496573	GASKET,CYL.HEAD	2					
18	21327996007	RING-RUBBER	2					
19	21527096004	GASKET,FILLER CAP	1					
20	21320797063	SEAL-VALVE,STEM	12					
21	21403596010	GASKET,INT.MANIFOLD	2					
22	21107097000	RING-RUBBER	4					
23	21103095503	GASKET,AIR DUCT	1					
24	21400596017	GASKET,EXH.MANIFOLD	6					
25	21423195500	GASKET-TURBO	1					
26	21421296009	GASKET,OIL ADAPTER	1					
27	21421496014	GASKET,OIL PIPE	1					
28	21421496015	GASKET,OIL PIPE	1					
29	21433596000	GASKET,EXH.CONNECTOR	1					
30	20100122044	O RING	1					
31	21467596001	RING-RUBBER,HYD.PUMP	1					
32	21469596001	O RING,HYD.PUMP	1					
33	21469096004	O RING,OIL CONNECTOR	1					
34	21506662000	GASKET	2					
35	21506661000	GASKET,OIL PUMP	1					
36	22138790001	RING-RUBBER	3					
37	21104990004	RING-RUBBER	1					
39	21663596002	GASKET	6					
40	21669996000	SEAL-RUBBER,NOZZLE	6					
41	20100122094	O RING	1					
43	22031096005	GASKET-SHUTTER	2					
44	21461290007	O RING	1					
45	22101996006	O RING	1					
46	22101996012	O RING	1					
47	22101996014	O RING	1					
48	22101996009	O RING	1					
49	21304397200	SEAL-OIL	1					
50	20100122054	O RING	1					
51	22120497000	RING-RUBBER	1					
52	22121096001	RING-RUBBER	1					
53	22101996010	O RING	2					
54	22131196006	GASKET,OIL COOLER	1					
55	20100122074	O RING	1					
56	22138796000	O RING,OIL COOLER	3					
61	21233296009	GASKET,FLY.HOUSING	1					
63	21234790015	RING-RUBBER	1					
64	21461296021	RING-RUBBER	1					
65	20100104014	O RING	1					
100	21010173727	OVERHAUL KIT-ENGINE	1					
110	21010661025	GASKET KIT-P.T.O.	1					

# TC-4255-1-00200 FOR CHINA

Pos No.	Parts No	Parts Name	Qty	Unit	Technical Data	Serial No (Start)	Serial No (End)	Remarks	Pa
1	21301696003	SHAFT-GEAR	1						
2	21325400706	BOLT-U.B.S.	3						
4	21303296001	BUSHING-GEAR	1						
5	21301195501	PLATE-IDLER GEAR	1						
6	20812082013	BOLT,W/WASHER	2						
10	21303496101	CASE-GEAR	1						
11	21303596010	GASKET,GEAR CASE	1						
12	29101196003	BOLT,W/WASHER	2						
13	29101196002	BOLT,W/WASHER	9						
14	20891114015	NUT,W/WASHER	2						
16	29101196004	BOLT,W/WASHER	2						
18	20082270501	STUD	1						
20	20152210184	PIN-STRAIGHT	2						
21	20164700124	PLUG-TAPER	1						
26	29945096773	STAY	1						
27	20812081613	BOLT,W/WASHER	1						
100	21301396006	GEAR ASSY-IDLER	1						

# TC-4255-1-00200 FOR CHINA

Pos No.	Parts No	Parts Name	Qty	Unit	Technical Data	Serial No (Start)	Serial No (End)	Remarks	Pages
1	21230496218	PULLEY-CRANK	1						
2	21230696503	DAMPER-CRANK	1						
3	21230895501	BOLT	6						
5	21230996005	BOLT-PULLEY	6						
11	21231296003	GEAR-RING	1						
12	20152210184	PIN-STRAIGHT	2						
13	22102362007	BEARING-BALL	1						
14	21231596014	BOLT-FLYWHEEL	10						
100	21231096565	FLYWHEEL ASSY	1						

# TC-4255-1-00200 FOR CHINA

Pos No.	Parts No	Parts Name	Qty	Unit	Technical Data	Serial No (Start)	Serial No (End)	Rem
1	21420161002	TURBO ASSY-EXHAUST	1					
2	21423195500	GASKET-TURBO	1					
3	20121100014	NUT	4					
4	21328896001	NUT	4					
12	20082238161	STUD	1					
13	21421296009	GASKET,OIL ADAPTER	1					
14	20112508254	BOLT,W/WASHER	2					
15	21511661001	TUBE-OIL,INLET	1					
16	20891110815	NUT,W/WASHER (M=8)	1					
18	20812082514	BOLT,W/WASHER	1					
20	20161900324	BOLT-EYE	1					
21	20161900504	BOLT-EYE	1					
22	20135121124	GASKET	4					
23	21511496064	PIPE-OIL,DRAIN	1					
24	21421496014	GASKET,OIL PIPE	1					
25	20112508204	BOLT,W/WASHER	2					
29	21421496015	GASKET,OIL PIPE	1					
30	20112508254	BOLT,W/WASHER	2					
31	21657440300	WASHER-PLAIN	2					
41	21425096506	PLATE-SHIELD	1					
42	21425196016	BRACKET-SHIELD	1					
43	20121100014	NUT	4					
44	20812081614	BOLT,W/WASHER	6					
45	21425296501	SUPPORT-SHIELD	1					
46	20121100014	NUT	4					
47	21425396501	STAY	1					
48	20008120825	BOLT	2					
49	20008915438	WASHER-PLAIN	2					
50	20131100274	WASHER-PLAIN	2					
51	21423396505	CONNECTOR-EXHAUST	1					
52	21433596000	GASKET,EXH.CONNECTOR	1					
53	21401896060	BOLT	6					
54	21401895001	STUD	1					
55	21401896019	STUD	1					
56	20115103064	STUD	1					
57	21424396503	BRACKET-CONNECTOR	1					
58	20812404013	BOLT,W/WASHER (M=10 L=40)	2					
59	20121100014	NUT	4					
60	20131100324	WASHER-PLAIN	2					
61	21405661006	PIPE-AIR,LOWER	1					
62	29945096778	BRACKET-PIPE	1					
63	20812081614	BOLT,W/WASHER	1					
64	20812102514	BOLT,W/WASHER	1					
65	20812407013	BOLT,W/WASHER	2					
67	21402061006	HOSE-AIR	1					
68	20155600364	CLAMP-HOSE	2					
100	21421076000	ADAPTER-INLET	1					

# TC-4255-1-00200 FOR CHINA

Pos No.	Parts No	Parts Name	Qty	Unit	Technical Data	Serial No (Start)	Serial No (End)	P
1	21501064000	ENGINE (PUMP,OIL/INNER PARTS)	1					
2	20812106513	BOLT,W/WASHER	4					
3	21506896019	PIPE-OIL	1					
5	21506662000	GASKET	1					
6	20812082513	BOLT,W/WASHER	1					
7	20812088013	BOLT,W/WASHER	1					
9	21506661000	GASKET,OIL PUMP	1					
10	20812107013	BOLT,W/WASHER	2					
11	21506496167	SCREEN-OIL	1					
12	21506662000	GASKET	1					
13	20812102513	BOLT,W/WASHER	2					
14	20812082013	BOLT,W/WASHER	2					

# TC-4255-1-00200 FOR CHINA

Pos No.	Parts No	Parts Name	Qty	Unit	Technical Data	Serial No (Start)	Serial No (End)
1	21640097076	ENGINE (FILTER,FUEL/INNER PARTS)	1				
2	20812104013	BOLT,W/WASHER	2				
3	21644190001	VALVE-OVER FLOW	1				
4	21643490000	BOLT-EYE	2				
5	21663597013	GASKET	6				
17	21751690000	CONNECTOR-FUEL	1				
18	21681796100	TUBE-FUEL,FEED PUMP	1				
19	21681896074	TUBE-FUEL,INJ. PUMP	1				
20	21681996079	TUBE-FUEL,OVER FLOW	1				
21	21682296071	TUBE-FUEL,RETURN	1				
22	21667196008	TUBE-FUEL,SPILL	1				
23	21667296100	TUBE-FUEL,NOZZLE	1				
24	20161900484	BOLT-EYE	1				
25	20161900474	BOLT-EYE	5				
26	21643496000	BOLT-CONNECTOR	1				
27	21663597011	GASKET	13				
28	21663597013	GASKET	3				
29	29945096570	CLAMP-TUBE	2				
30	29945096571	CLAMP-TUBE	2				
31	21682496018	SUPPORT-TUBE	1				
32	21682596010	BRACKET	1				
33	20812082013	BOLT,W/WASHER	2				
35	20812102513	BOLT,W/WASHER	2				
37	22421096000	CLAMP	1				
38	20891110637	NUT,W/WASHER (M=6)	2				
39	20812081610	BOLT	1				
40	20891533810	WASHER-SPRING (R.H. THREAD)	1				
41	22422097015	CLAMP-HARNESS	1				
43	20812081613	BOLT,W/WASHER	2				
100	21682496017	SUPPORT ASSY-TUBE	1				

# TC-4255-1-00200 FOR CHINA

Pos No.	Parts No	Parts Name	Qty	Unit	Technical Data	Serial No (Start)	Serial N
1	(*****)	ENGINE (PUMP,INZECTION/INNER PARTS)	1				
2	21910696578	ENGINE (GOVERNOR/INNER PARTS)	1				
3	21685196870	ENGINE (TIMER,AUTOMATIC/INNER PARTS)	1				
4	21664096519	ENGINE (PUMP,FEED/INNER PARTS)	1				
5	21682061000	ENGINE (COUPLING/INNER PARTS)	1				
6	21910796514	ENGINE (ACTUATOR,PRESAT/INNER PARTS)	1				
7	21663597013	GASKET	12				
8	21663597011	GASKET	2				
19	20112100124	BOLT,W/WASHER	3				
20	20112100074	BOLT,W/WASHER	1				
21	21681496010	BRACKET-INJ. PUMP	1				
22	21681596005	SHIM, T=0.10	N				
	21681596006	SHIM, T=0.20	N				
	21681596004	SHIM, T=0.05	N				
23	21681696001	PIN-STRAIGHT	2				
24	20812108013	BOLT,W/WASHER	2				
25	20812106013	BOLT,W/WASHER	2				
26	21691796500	BRACKET-INJ. PUMP	1				
27	20812102013	BOLT,W/WASHER	3				
28	21691896500	BRACKET-INJ. PUMP	1				
29	20812082014	BOLT,W/WASHER	4				
31	21305197502	ENGINE (SUPPORT,PUMP/INNER PARTS)	1				
32	20100122094	O RING	1				
33	20812103513	BOLT,W/WASHER	3				
34	21305296006	GEAR-DRIVE	1				
35	21459196504	SPACER	1				
36	21459696001	NUT	1				
37	21510597002	BOLT-EYE	1				
38	21663597011	GASKET	2				
39	21306696007	BRACKET-SUPPORT	1				
40	20812102513	BOLT,W/WASHER	4				
41	29101990004	WASHER-PLAIN	2				
55	21838096119	BRACKET-WIRE	1				
56	21838096163	BRACKET-WIRE	1				
57	20812081614	BOLT,W/WASHER	1				
58	20812102010	BOLT	2				
59	20891534010	WASHER-SPRING	2				
81	21510896505	TUBE-OIL,INLET	1				
83	21511096078	TUBE-OIL,OUTLET	1				
85	21510597002	BOLT-EYE	1				
100	21680161003	PUMP ASSY-FUEL INJ.	1				

# TC-4255-1-00200 FOR CHINA

Pos No.	Parts No	Parts Name	Qty	Unit	Technical Data	Serial No (Start)	Serial No (End)
1	21664899017	HOUSING	1				
2	21664537501	PISTON	1				
3	21664637500	SPRING	1				
4	21666399004	PLUG	1				
5	21665737500	GASKET	1				
6	21665799015	TAPPET	1				
7	21664779002	VALVE	4				
8	21665337500	SPRING	4				
9	21666399003	PLUG	3				
10	21665937500	GASKET	3				
11	21666099000	RING-SNAP	1				
12	21666599006	PUMP-PRIMING	1				
13	21675399102	BOLT-EYE	1				
14	21927899010	O RING	1				
15	21675399007	BOLT-EYE	1				
100	21664096519	ENGINE (PUMP,FEED/INNER PARTS)	1				

CLICK HERE TO **DOWNLOAD** THE COMPLETE MANUAL

- Thank you very much for reading the preview of the manual.
- You can download the complete manual from: [www.heydownloads.com](http://www.heydownloads.com) by clicking the link below



- Please note: If there is no response to CLICKING the link, please download this PDF first and then click on it.

CLICK HERE TO **DOWNLOAD** THE COMPLETE MANUAL

## TC-4255-1-00200 FOR CHINA

Pos No.	Parts No	Parts Name	Qty	Unit	Technical Data	Serial No (Start)	Serial No
2	22030499006	COVER	1				
3	22030999006	SEAL-RING	2				
4	22030999008	SEAL-RING	2				
5	22031979006	GASKET	1				
6	22031499314	PLATE	1				
7	24887699011	BOLT	2				
8	20891130820	NUT	2				
9	22031199000	BOLT	4				
10	24721842803	WASHER	4				
11	22030799011	LEVER	1				
12	22032579004	NUT	2				
22	22034999006	SEAL-DUST	1				
23	22034499013	SPRING	1				
24	22034399014	SHAFT	1				
25	22034799008	PROTECTOR	1				
26	22032199008	GUIDE	1				
27	22032499002	WASHER	1				
28	22034179000	PISTON	1				
29	22035579000	RING-WEAR	1				
30	22034799009	PACKING	1				
34	22034599005	O RING	1				
35	22034779001	COVER	1				
37	22031199010	BOLT,W/WASHER	2				
38	22035699000	FILTER	1				
39	22035599001	RING-RETAINER	1				
40	22034799006	COVER	1				
44	22031897014	PLATE-SHIELD	1				
45	22031179003	BOLT	1				
46	20812406010	BOLT	1				
48	22032579003	NUT	2				
49	22035079002	CLEVIS	1				
50	21938299505	BOLT	2				
51	20891110601	NUT	4				
52	20891544010	WASHER-PLAIN	2				
53	24716899000	WASHER	2				
100	22030196114	SHUTTER ASSY	1				
110	22031397109	CYLINDER ASSY	1				
200	22030096170	ENGINE(SHUTTER,EXHAUST/INNER PARTS)	1				

## TC-4255-1-00200 FOR CHINA

Pos No.	Parts No	Parts Name	Qty	Unit	Technical Data	Serial No (Start)	Serial No (End)	Remarks
1	21106196201	MANIFOLD-WATER	1					
2	20891160815	NUT,W/WASHER	8					
5	20893144610	PLUG	1					
6	22524996008	SENSOR-WATER THERMO.	1					
7	22525296001	SWITCH-OVER HEAT	1					
8	20135121164	GASKET	2					
10	21401596101	PLATE-SHIELD	1					
11	20812122014	BOLT,W/WASHER	2					
12	22404696505	STAY-HARNES	1					
13	20812082013	BOLT,W/WASHER	2					
15	22120097016	THERMOSTAT ASSY	1					
16	22120497000	RING-RUBBER	1					
21	22120196013	HOUSING-THERMOSTAT	1					
22	22121096001	RING-RUBBER	1					
23	20812104013	BOLT,W/WASHER	2					
24	21106396018	OUTLET-WATER	1					
25	20812083013	BOLT,W/WASHER	4					
31	29945096167	STAY	1					
35	20812082013	BOLT,W/WASHER	1					
36	29945096608	STAY	1					
38	20812082013	BOLT,W/WASHER	1					
40	22198075000	VALVE	1					
42	20812082014	BOLT,W/WASHER	2					
43	20812081614	BOLT,W/WASHER	1					
46	22141796004	HOSE-WATER	1					
47	20155801004	CLAMP-HOSE	2					
51	22141196510	PIPE-WATER,INLET	1					
52	20812082514	BOLT,W/WASHER	2					
53	22101996010	O RING	1					
54	20812082014	BOLT,W/WASHER	2					
100	22141596505	TUBE ASSY-AIR	1					

# TC-4255-1-00200 FOR CHINA

Pos No.	Parts No	Parts Name	Qty	Unit	Technical Data	Serial No (Start)	Serial No (E
1	22330299011	YOKE ASSY	1				
3	22333399017	SPRING-BRUSH	4				
5	22333199119	BRUSH	4				
7	22333799401	BRACKET-REAR	1				
8	22334099200	SCREW	2				
10	22338399117	BEARING-BALL	1				
11	22338399118	BEARING-BALL	1				
12	22334099213	BOLT	2				
13	22331899319	CASE-GEAR	1				
14	22332899013	SHIM	1				
15	22334099202	BOLT	1				
16	22334899104	SHAFT	1				
17	22332899001	SHIM	1				
18	22334299010	PACKING	1				
19	22333099203	HOLDER-CENTER	1				
20	22332299117	LEVER	1				
21	22333079009	HOLDER	1				
22	22331199003	PIN	1				
23	22333999003	SPRING	1				
25	22331399215	PINION ASSY- CLUTCH	1				
26	22336999107	STOPPER	1				
27	22331399218	LOCK-PINION	2				
28	22335799003	RING-RETAINER	1				
30	22331579000	BUSHING	1				
31	22334199012	COVER	1				
32	22330899004	SWITCH-ENGAGE	1				
33	22334099201	BOLT	2				
34	22330999011	CAP	1				
35	22334499207	O RING	2				
36	22334299012	PACKING	2				
37	22332899018	SHIM	1				
100	22333099304	HOLDER ASSY- BRUSH	1				
111	22333099303	HOLDER-BRUSH	1				
112	22333199203	BRUSH ASSY	1				
120	22331099301	ARMATURE ASSY	1				
130	22331899309	CASE ASSY- PINION	1				
200	22330096516	MOTOR ASSY-STARTING (INNER PARTS)	1				

# TC-4255-1-00200 FOR CHINA

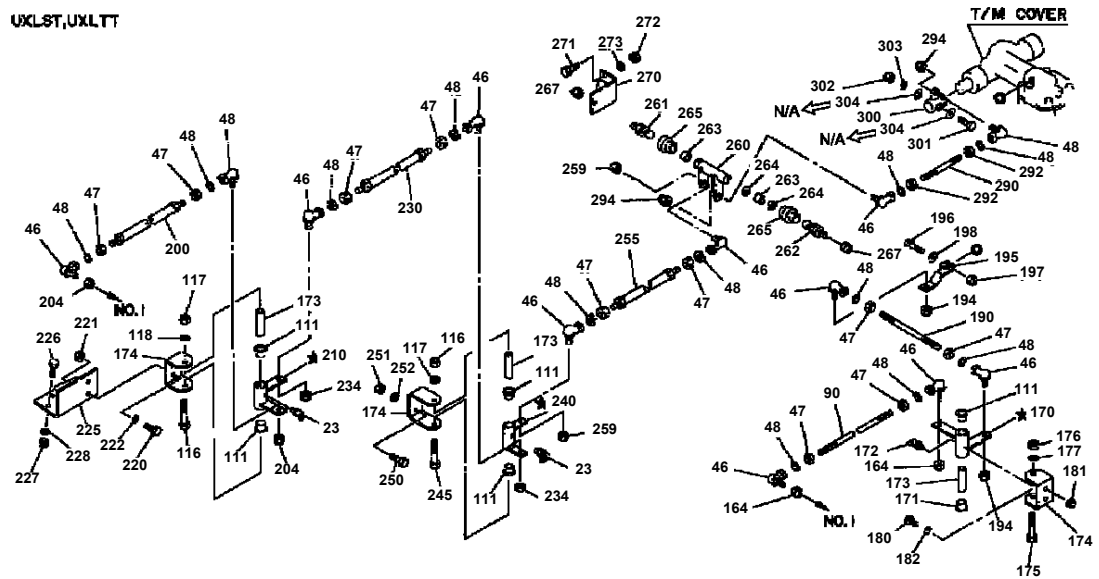
Pos No.	Parts No	Parts Name	Qty	Unit	Technical Data	Serial No (Start)	Serial No (End)	Rem
3	21652378006	DUCT-AIR	1					
4	20811081615	BOLT,W/WASHER (M=8 L=16)	4					
5	21657597005	HOSE-AIR	1					
6	20155600754	CLAMP-HOSE	1					
7	20155600784	CLAMP-HOSE	1					
8	21658077000	SPACER	1					
10	21653762000	CAP ASSY-REIN	1					
15	21651097001	BAND-LOCK	2					
16	20812404013	BOLT,W/WASHER (M=10 L=40)	2					
17	20891114010	NUT	2					
18	20812402513	BOLT,W/WASHER	4					
19	20891114015	NUT,W/WASHER	4					
30	21650197302	CLEANER,AIR	1					
40	21655096501	INDICATOR	1					

## TC-4255-1-00200 FOR CHINA

Pos No.	Parts No	Parts Name	Qty	Unit	Technical Data	Serial No (Start)	Serial No (End)	Remarks	Page
1	23040190476	HOUSING-CLUTCH	1						
2	23040290006	BEARING-NEEDLE	2						
3	23040390007	SEAL-OIL	4						
4	20093220110	NIPPLE-GREASE	2						
5	20000933114	PLUG-CUP	1						
6	20812465010	BOLT (L=50)	5						
	20812466510	BOLT, L=65	3						
7	20008915246	WASHER-SPRING	8						
15	23042390008	SEAT-RUBBER	1						
16	23042290114	COVER-TOP	1						
17	20836361262	SCREW,W/WASHER	2						
21	24742099000	ELEMENT	1						
22	20811081611	BOLT,W/WASHER	2						
25	23052290263	SHAFT-RELEASE	1						
28	23052697000	KEY-FEATHER	1						
29	23051590061	YORK	2						
30	23051790002	BOLT-SET	2						
31	23050190108	SLEEVE-RELEASE	1						
32	23050260008	BEARING-RELEASE	1						
33	23051390005	SPRING	1						
34	23051390006	SPRING	1						
36	23043090016	HOSE ASSY-FLEX	1						
37	20093220110	NIPPLE-GREASE	1						
40	20891274610	NUT-SELF LOCK	1						
45	20891124010	NUT	12						
46	20891524010	WASHER	12						
100	24741190061	CLEANER ASSY-AIR	1						

**TC-4255-1-00200 FOR CHINA  
PR1010022-01 OPE.ASSY,TRANSMISSION**

**C341B-2**

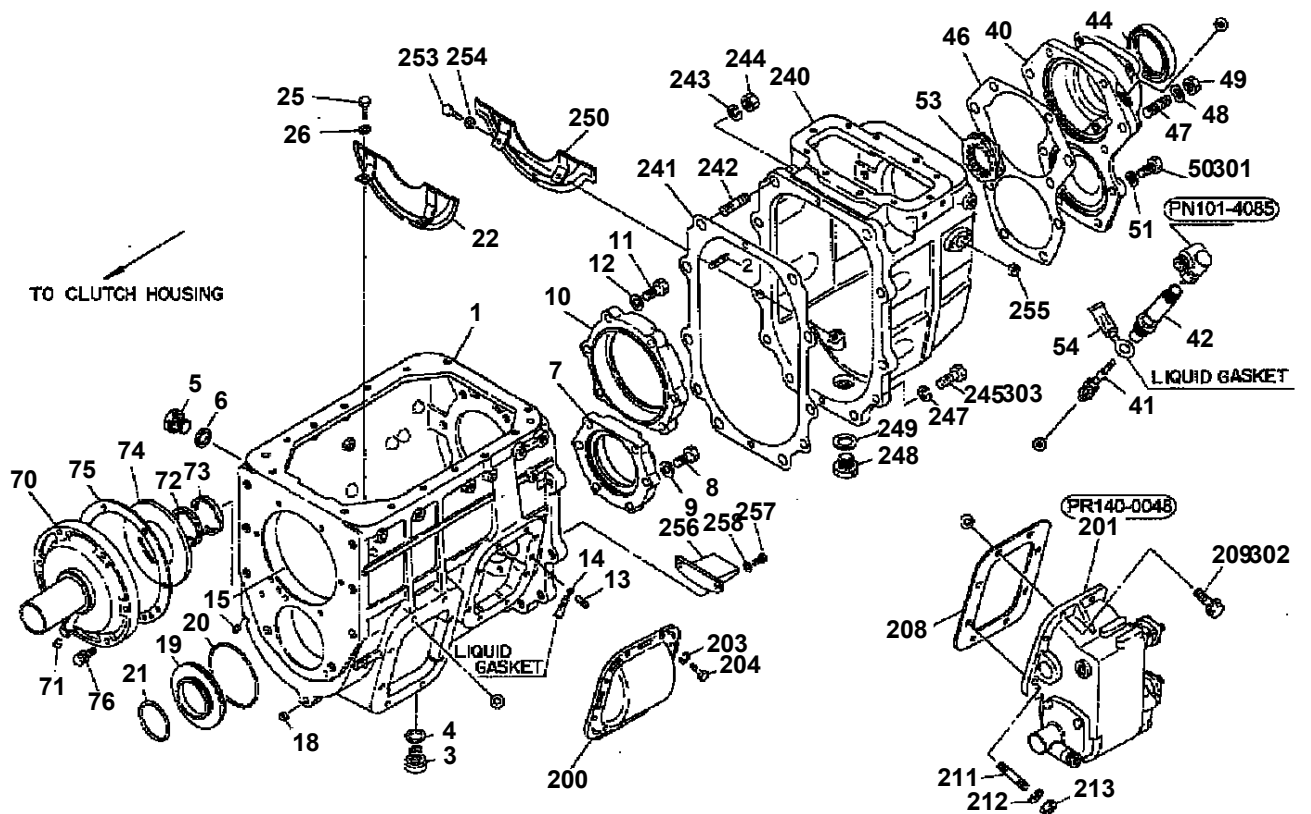


- KEY NO. 46 - 48 , 90 ROD ASSY-CONTROL (ASSY KEY NO 322
- KEY NO. 111 , 116 , 117 , 170 - 175 LEVER COMPLETE (ASSY KEY NO. 323
- KEY NO. 111 , 170 , 172 LEVER ASSY (ASSY KEY NO 324 )
- KEY NO. 46 - 48 , 190 ROD ASSY-CONTROL (ASSY KEY NO 325 )
- KEY NO. 46 - 48 , 200 ROD ASSY-CONTROL (ASSY KEY NO 326 )
- KEY NO. 23 , 111 , 116 , 117 , 173 - 175 , 210 LEVER COMPLETE (ASSY KEY NO 327
- KEY NO. 23 , 111 , 210 LEVER ASSY (ASSY KEY NO. 328 )
- KEY NO. 46 - 48 , 230 ROD ASSY-CONTROL (ASSY KEY NO 329 )
- KEY NO. 23 , 111 , 116 , 117 , 173 - 175 , 240 LEVER COMPLETE (ASSY KEY NO 330 )
- KEY NO. 23 , 111 , 240 LEVER ASSY (ASSY KEY NO 331 )
- KEY NO. 46 - 48 , 255 ROD ASSY-CONTROL (ASSY KEY NO 332 )
- KEY NO. 260 - 265 LEVER COMPLETE (ASSY KEY NO. 333
- KEY NO. 46 , 48 , 255 ROD ASSY-CONTROL (ASSY KEY NO 334 )

★印は非販売部品です。  
各々のASSYにて御注文下さい。  
NOTE:The Mark★shown in the Key No.of the  
figure is not for sale individually.  
Please place an order as each Assembly.

**TC-4255-1-00200 FOR CHINA  
PR1400049-00 TRANSMISSION (CASE)**

U321Z



[FIG PR140-0049 KEY NO. 20, 21, 44, 46, 72, 75, 208, 241] GASKET KIT (KIT KEY NO400)  
[FIG PR140-0052 KEY NO. 1, 42, 162, 230]

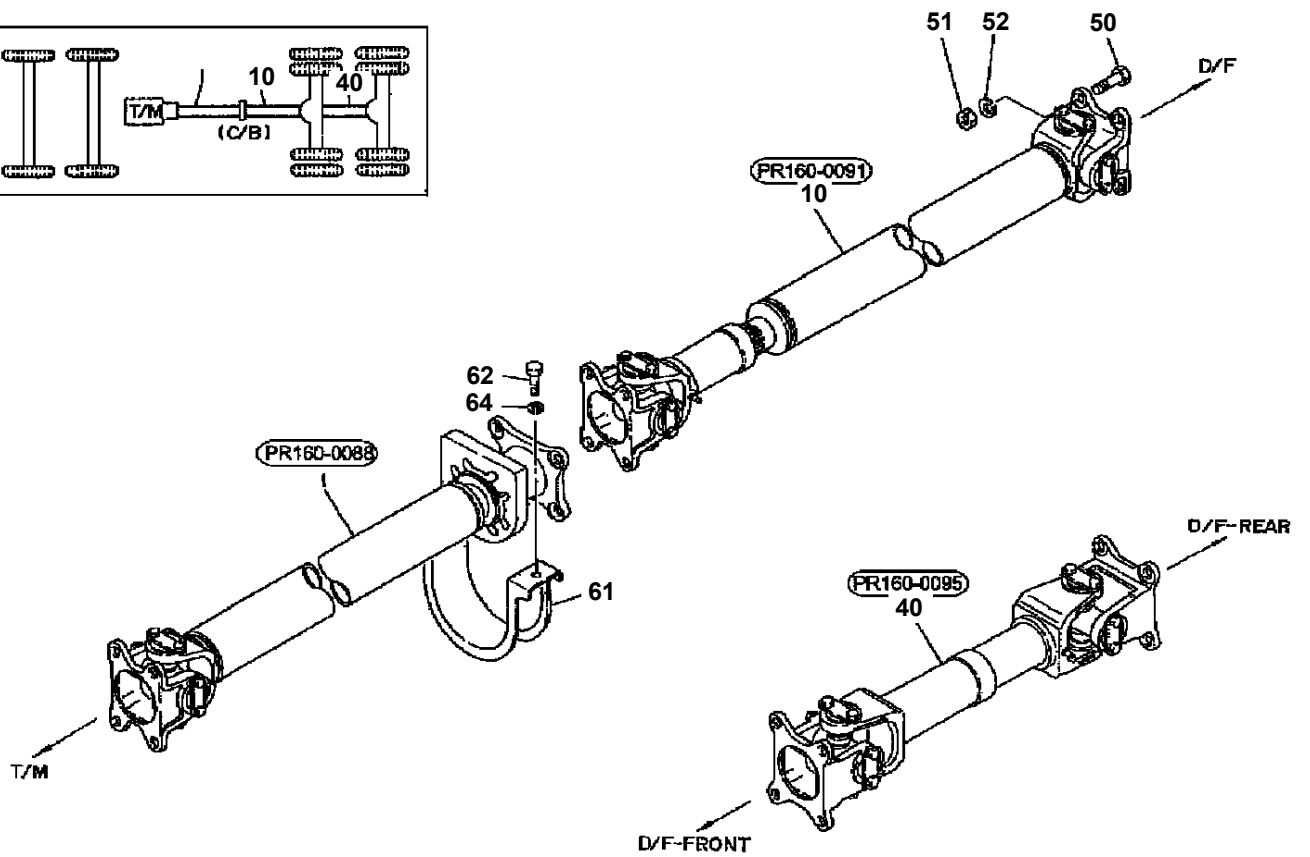
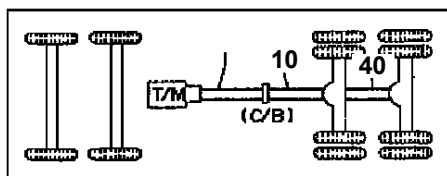
★印は非販売部品です。  
各々のASSYにて御注文下さい。  
NOTE: The Mark★ shown in the Key No. of the figure is not for sale individually.  
Please place an order as each Assembly.

# TC-4255-1-00200 FOR CHINA

Pos No.	Parts No	Parts Name	Qty	Unit	Technical Data	Serial No (Start)	Serial No (End)	Re
160	20164800214	PLUG-WELCH	1					
161	23288090015	LEVER ASSY-SELECT	1					
162	23312590016	O RING	1					
163	23292175000	WASHER-THRUST	1					
164	20000922117	RING-SNAP	1					
165	23832290072	BREATHER	1					
166	23218290072	PLATE-GUIDE	1					
167	20812402010	BOLT	3					
168	23218590002	SPACER	3					
169	23211090073	GASKET-COVER	1					
170	23291890004	PLATE ASSY	1					
171	23211090074	GASKET-COVER	1					
172	23217290175	TRANSMISSION (POWER SHIFT)	1					
173	20811405012	BOLT,W/WASHER	2					
174	20811408010	BOLT	4					
175	20891514010	WASHER-SPRING	4					
176	20891544010	WASHER-PLAIN	4					
177	20891154010	NUT	2					
178	24342790000	BALL-STEEL	1					
179	24752790000	BALL-STEEL	1					
180	23283090009	SPRING-CHECK	1					
181	23230890008	PLUG	1					
184	23216690062	GASKET	1					
185	29101390069	BOLT,W/SEAL	4					
186	23298190007	VALVE ASSY-CONTROL	1					
187	23211090077	GASKET-COVER	2					
188	20811086011	BOLT,W/WASHER	2					
189	20161221424	ELBOW	2					
190	24521390014	CONNECTOR	1					
230	23531090006	GASKET-COVER	1					
231	20812403013	BOLT,W/WASHER (L=30)	6					
233	20161211214	CONNECTOR	2					
234	24521390014	CONNECTOR	1					
235	20161221424	ELBOW	1					
250	23530290013	COVER-TRANSMISSION (SUB)	1					
251	23530390013	SHAFT-SHIFT	1					
252	23530490009	FORK-SHIFTT (HIGH & LOW)	1					
253	23287990060	PIN-COTTER	1					
254	20891180810	NUT-SLOTTED	1					
255	20891543810	WASHER-PLAIN	1					
256	20000921118	PIN-SPLIT	1					
257	23530890002	CLAW-FORK	2					
258	20000922112	RING-SNAP	2					
259	23312590065	SAEL-AIR	1					
260	23530590005	PISTON-CYLINDER	1					
261	23895290000	O RING	1					
262	23530790060	PACKING-PISTON	2					
263	20891545010	WASHER-PLAIN	1					
264	24006490003	NUT-SLOTTED	1					
265	20092143020	PIN-SPLIT	1					
266	23531490005	ORIFICE-AIR	1					
267	23285290017	CAP	1					
268	23530690005	CAP-CYLINDER	1					
269	23531490006	ORIFICE-AIR	1					
270	23531590010	O RING	1					
271	20812402513	BOLT,W/WASHER	4					
272	23298190009	VALVE ASSY-CONTROL	1					
273	20811082512	BOLT,W/WASHER	3					
274	23287390010	PLUG	1					
275	20135122184	GASKET	1					
276	23282890007	SPRING-LOCK	1					
277	23295990000	BALL-STEEL	1					
301	20812409013	BOLT,W/WASHER (L=90)	4					

TC-4255-1-00200 FOR CHINA  
 PR1600092-00 SHAFT,PROPELLER

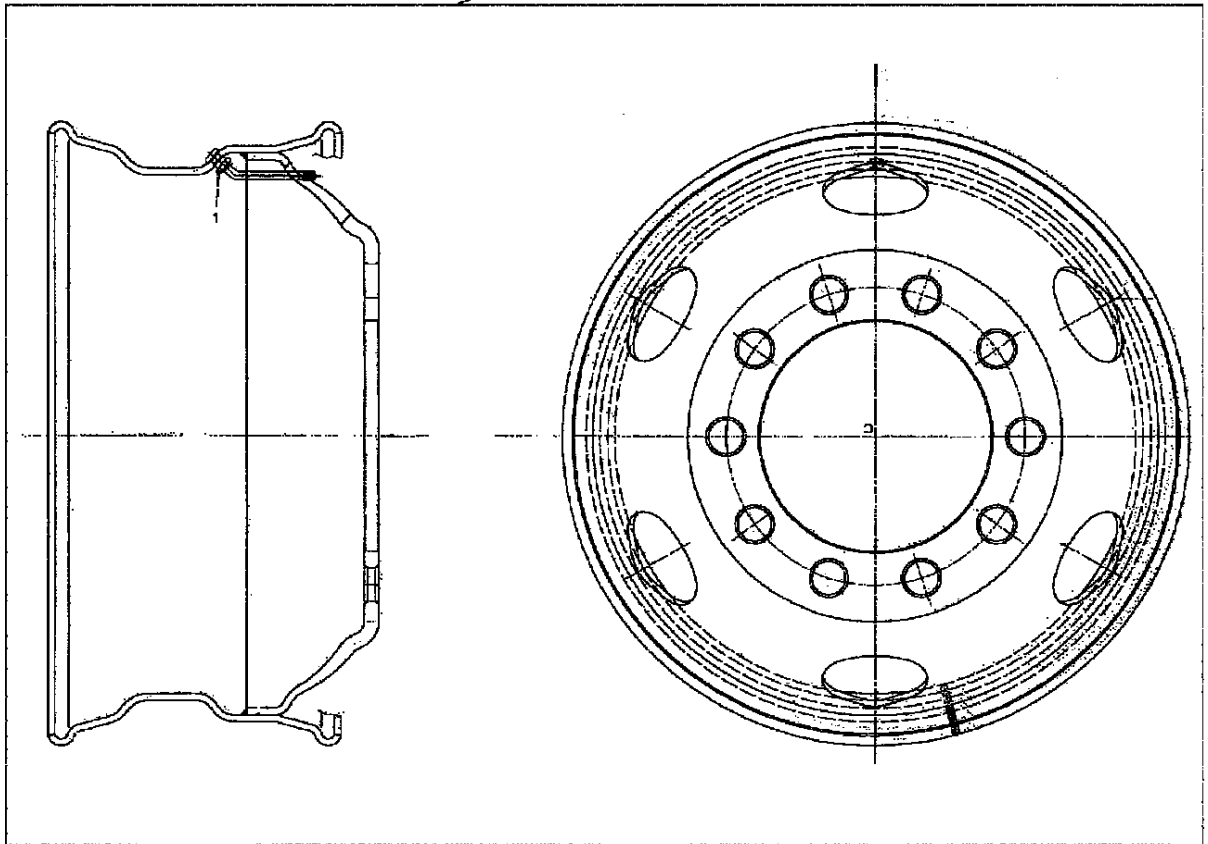
U370B



★印は非販売部品です。  
 各々のASSYにて御注文下さい。  
 NOTE: The Mark★ shown in the Key No. of the  
 figure is not for sale individually.  
 Please place an order as each Assembly.

TC-4255-1-00200 FOR CHINA  
PR1820025-00 WHEEL,TIRE

100



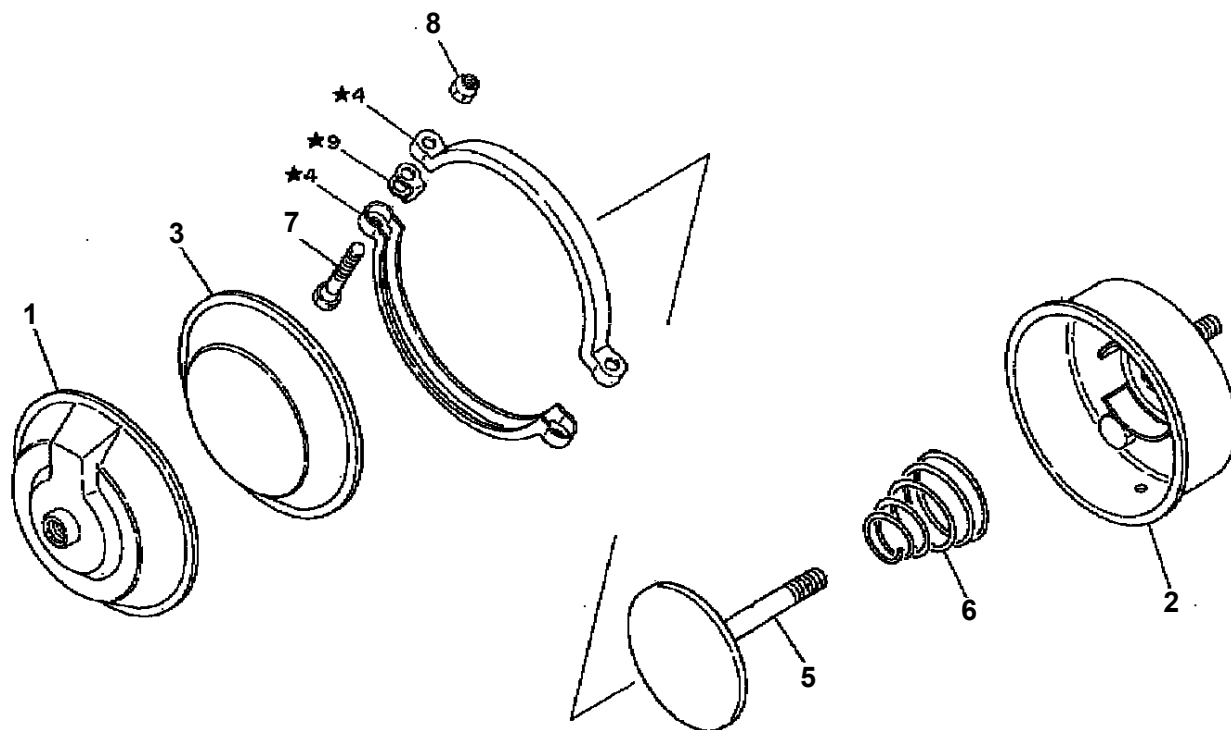
★印は非販売部品です。  
各々のASSYにて御注文下さい。  
NOTE: The Mark★ shown in the Key No. of the  
figure is not for sale individually.  
Please place an order as each Assembly.

# TC-4255-1-00200 FOR CHINA

Pos No.	Parts No	Parts Name	Qty	Unit	Technical Data	Serial No (Start)	Serial No (End)	Remarks
1	24000390161	AXLE-WELD	1					
4	24001790063	BUSHING	4					
6	24001890005	SEAL-DUST	2					
8	24022890015	RETAINER	2					
12	24007290007	SHIM, T=2.5	N					
	24007690009	SHIM, T=2.9	N					
	24007790004	SHIM, T=3.0	N					
	24006890009	SHIM, T=2.1	N					
	24006990007	SHIM, T=2.2	N					
	24007490007	SHIM, T=2.7	N					
	24007590007	SHIM, T=2.8	N					
	24007090007	SHIM, T=2.3	N					
	24007390007	SHIM, T=2.6	N					
	24007190007	SHIM, T=2.4	N					
15	24022990003	PIN-DOWEL	2					
21	24005690064	BOLT-STOPPER	2					
22	20891125010	NUT	2					
23	21106890004	PLUG-SCREW	2					
24	24002390001	PIN-COTTER	2					
25	24005890001	NUT	2					
26	20891544210	WASHER-PLAIN	2					
30	20891514210	WASHER-SPRING	2					
32	24003490010	BEARING-THRUST	2					
35	24003190006	COVER-DUST,UPPER	2					
36	24003290006	COVER-DUST,LOWER	2					
37	24004090061	CAP-KING PIN	4					
38	24135390013	GASKET-KINGPIN	4					
39	20812081210	BOLT (M=8 L=12)	24					
40	20891513810	WASHER-PLAIN	24					
41	20093220110	NIPPLE-GREASE	4					
45	24135190063	BRACKET-CHAMBER,RH	1					
	24135290063	BRACKET-CHAMBER,LH	1					
47	25552290003	BOLT	4					
48	20891525010	WASHER-SPRING	4					
49	20891165010	NUT	4					
61	24005290415	ARM-STEERING	1					
62	24057790106	BOLT-STRG ARM (L=227)	2					
	24057790105	BOLT-STRG ARM (L=250)	2					
63	24006400703	NUT-SLOTTED	4					
64	20891525010	WASHER-SPRING	4					
65	20092144020	PIN-SPLIT	4					
70	24055290273	ARM-TIEROD,L.H.	1					
	24055290272	ARM-TIEROD,R.H.	1					
72	24856790200	STUD-TIEROD ARM	8					
73	24006400703	NUT-SLOTTED	8					
74	20092144020	PIN-SPLIT	8					
80	24020390177	HUB-FRONT	2					
82	24020790009	BEARING-TAPER (INNER)	2					
83	23832890005	BEARING-TAPER (OUTER)	2					
85	24020690114	DRUM-BRAKE	2					
87	24022300701	NUT	20					
88	24022690002	NUT-WHEEL,L.H.	10					
	24022590004	NUT-WHEEL R.H.	10					
90	24309090060	SEAL-OIL	2					
100	24003690019	WASHER-KNUCKLE	2					
101	24003990014	NUT-ADJUSTING	2					
102	24007690007	PLATE-LOCK	2					
105	20831061662	SCREW,W/WASHER	6					
110	24023490078	CAP-HUB	2					
112	24023590061	GASKET	2					
113	24023790001	BOLT	16					
130	24101490011	BOLT	16					
131	20891515010	WASHER-SPRING	16					

**TC-4255-1-00200 FOR CHINA  
PR2010071-00 AXLE (CHAMBER,AIR/LEFT)**

U421C

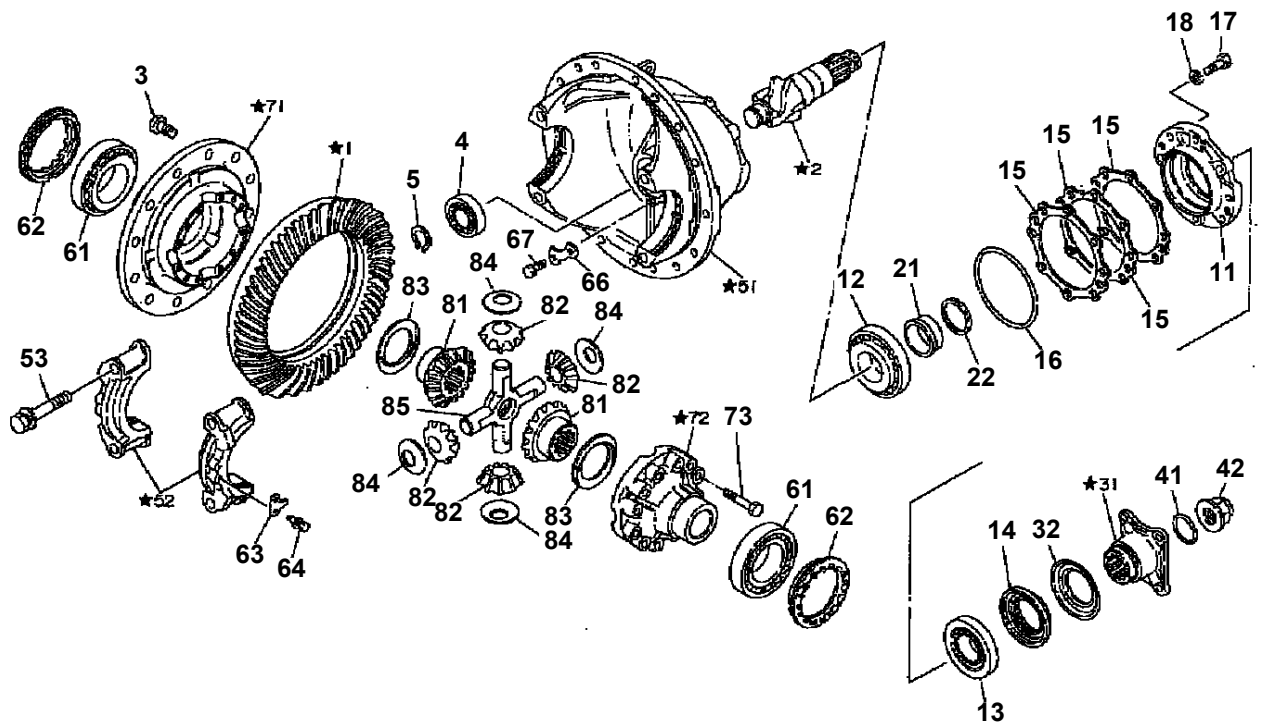


KEY NO. 1 - 9 CHAMBER ASSY-FRONT (ASSY KEY NC200)  
KEY NO. 4, 9 CLAMP BAND KIT (KIT KEY NC100)

★印は非販売部品です。  
各々のASSYにて御注文下さい。  
NOTE: The Mark★ shown in the Key No. of the  
figure is not for sale individually.  
Please place an order as each Assembly.

**TC-4255-1-00200 FOR CHINA  
PR2010075-00 AXLE (CARRIER,DIFFERENTIAL)**

U451D

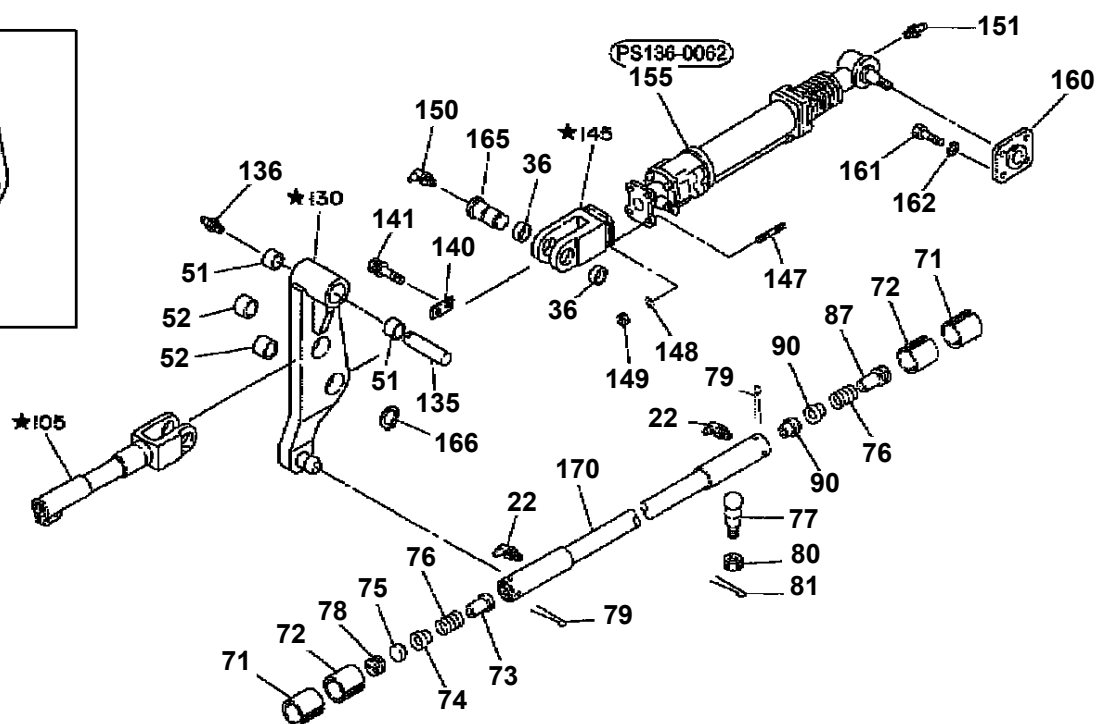
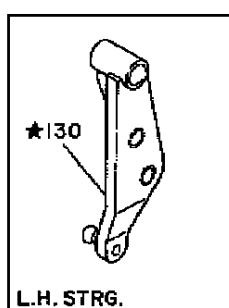


- KEY NO. 1 - 85 FINAL ASSY (ASSY KEY NC 500)  
 KEY NO. 1, 2 GEAR SET-DRIVE (SET KEY NC 300)  
 KEY NO. 31, 32 FLANGE ASSY (ASSY KEY NC 310)  
 KEY NO. 51 - 53 CARRIER ASSY (ASSY KEY NC 320)  
 KEY NO. 71 - 73 CASE ASSY-DIFF (ASSY KEY NC 330)  
 KEY NO. 5, 14, 41, 42, 83, 83, 84 GASKET KIT (KIT KEY NO340)

★印は非販売部品です。  
 各々のASSYにて御注文下さい。  
 NOTE: The Mark★ shown in the Key No. of the  
 figure is not for sale individually.  
 Please place an order as each Assembly.

TC-4255-1-00200 FOR CHINA  
 PS1010055-00 OPE.ASSY,STEERING (LINKAGE)

C485A-2

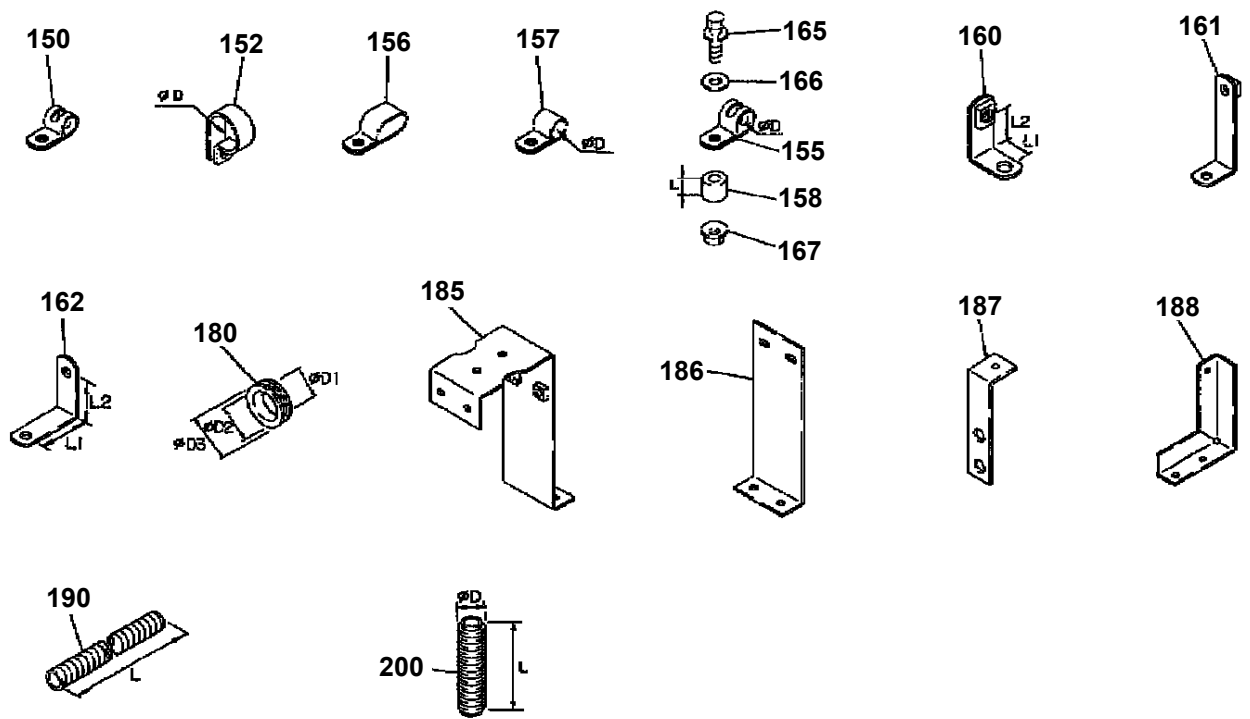


KEY NO. 51, 52, 130    ARM ASSY-IDLER    (ASSY KEY NO280)  
 KEY NO. 36, 145    END ASSY-BOOSTER    (ASSY KEY NC290)  
 KEY NO. 22, 70 - 90, 170    LINK ASSY-DRAG    (ASSY KEY NC300)

★印は非販売部品です。  
 各々のASSYにて御注文下さい。  
 NOTE: The Mark★ shown in the Key No. of the figure is not for sale individually.  
 Please place an order as each Assembly.

TC-4255-1-00200 FOR CHINA  
 PS1200169-00 PIPING,STEERING

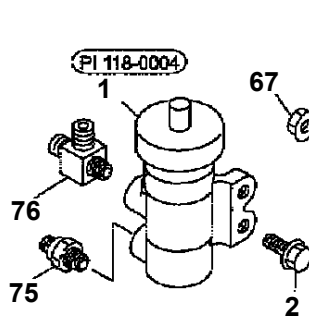
C497A-2



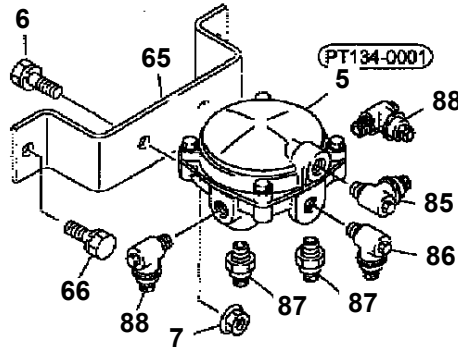
★印は非販売部品です。  
 各々のASSYにて御注文下さい。  
 NOTE: The Mark★ shown in the Key No. of the figure is not for sale individually.  
 Please place an order as each Assembly.

**TC-4255-1-00200 FOR CHINA  
PT1220075-00 PIPING,AIR (BRAKE UNIT)**

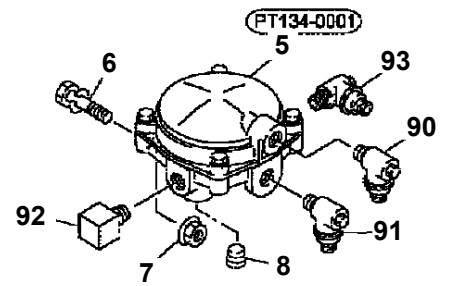
C451-1



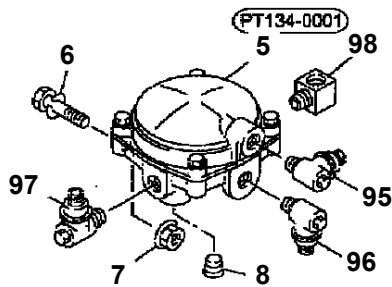
AIR PRESSURE GOV.



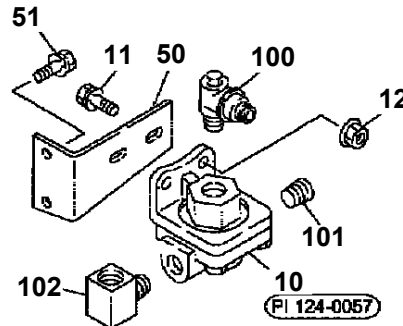
FRONT RELAY VALVE



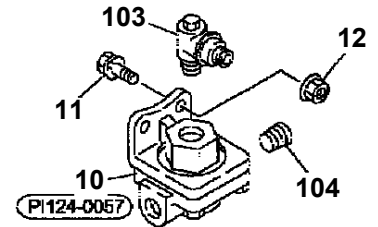
REAR RELAY VALVE



SPRING BRAKE RELAY VALVE



QUICK RELEASE VALVE



SPRING BRAKE Q.R. VALVE

★印は非販売部品です。  
各々のASSYにて御注文下さい。  
NOTE: The Mark★ shown in the Key No. of the figure is not for sale individually.  
Please place an order as each Assembly.

## TC-4255-1-00200 FOR CHINA

Pos No.	Parts No	Parts Name	Qty	Unit	Technical Data	Serial No (Start)	Serial No (End)	Rema
185	24514908769	ELBOW	1					
186	20163201114	ADAPTER	1					
190	24514908768	ELBOW	1					
192	22032878001	HOSE ASSY-AIR	1					
193	20161211214	CONNECTOR	1					
194	24545578061	TUBE-NYLON	1					
195	24545578116	TUBE-NYLON	1					
196	24545478205	TUBE-NYLON	1					
197	24545578007	TUBE-NYLON	1					
198	24545478200	TUBE-NYLON	1					
200	24514908711	ADAPTER	1					
201	21307590002	ADAPTER	1					
202	20161705074	CONNECTOR-3WAY	1					
203	20161101514	CAP-FLARE	1					
204	24514908707	ADAPTER	1					
210	24514910766	CONNECTOR-3WAY	1					
211	24514908708	ADAPTER	1					
215	24514910719	ADAPTER	1					
220	24514908711	ADAPTER	1					
221	24878190000	ADAPTER	2					
230	24600770025	TUBE-NYLON (D=6 L=5000)	1					
232	24600770026	TUBE-NYLON (D=8 L=5000)	1					
233	20199400804	TUBE-NYLON (D=8 L=50000)	1					
234	24600770027	TUBE-NYLON (D=10 L=5000)	1					
235	20199401004	TUBE-NYLON (D=10 L=20000)	1					
236	24600770028	TUBE-NYLON (D=12 L=5000)	1					
237	20199401204	TUBE-NYLON (D=12 L=20000)	1					
238	24600770029	TUBE-NYLON (D=15 L=5000)	1					
239	20199401504	TUBE-NYLON (D=15 L=20000)	1					

# TC-4255-1-00200 FOR CHINA

Pos No.	Parts No	Parts Name	Qty	Unit	Technical Data	Serial No (Start)	Serial No (End)
1	24511679104	BODY	1				
2	24754279004	RELAY PISTON	1				
4	24731379000	INLET EXHAUST VALVE COMPLITE	1				
11	24755079001	COVER	1				
12	24731779000	EXHAUST COVER	1				
13	24731879000	EXHAUST CHECK	1				
14	24731979000	SEALING RING	1				
15	24732079000	PISTON RETURN -SPRING	1				
16	24754379004	RING-O	1				
17	24732279000	SCREW-MACHINE	2				
18	24752579004	WASHER-SPRING	2				
21	24732179000	BOLT,W/WASHER	4				
100	24518479025	REPAIR KIT	1				
200	24518400714	VALVE,RELAY	1				

## TC-4255-1-00200 FOR CHINA

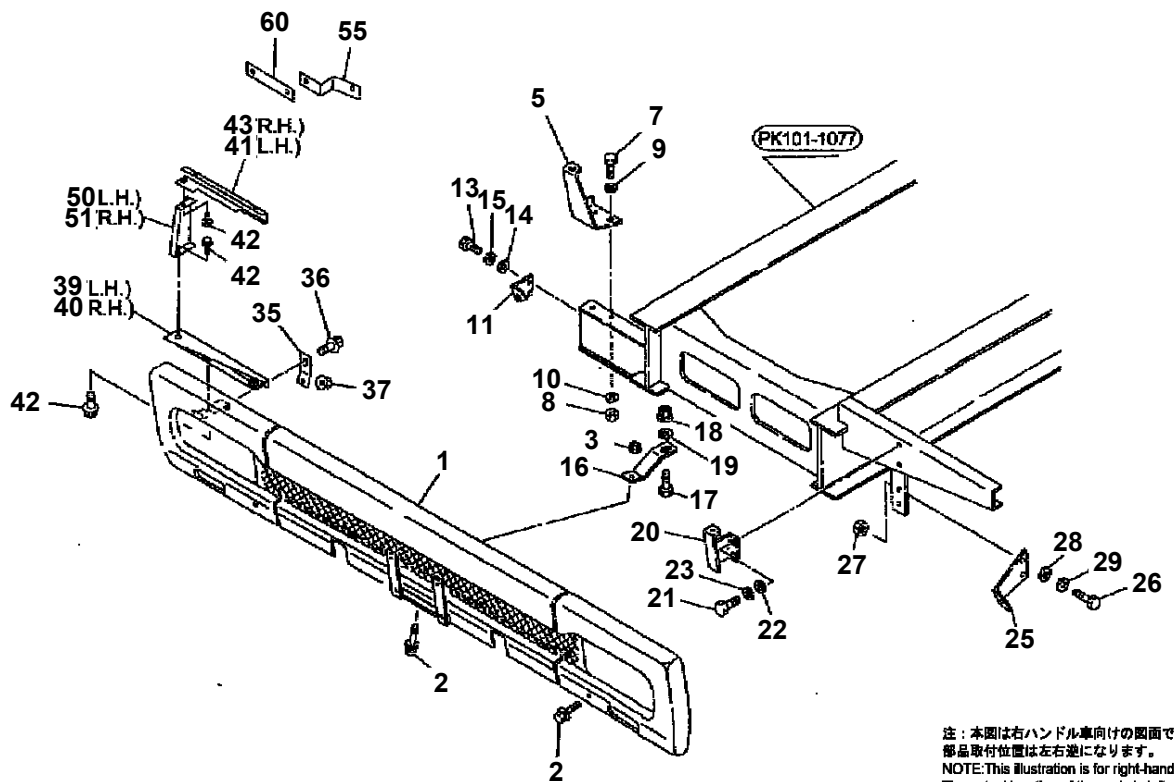
Pos No.	Parts No	Parts Name	Qty	Unit	Technical Data	Serial No (Start)	Serial No (End)
1	35410191000	BEAM-EQUALIZER	2				
2	82456101000	NIPPLE,GREASE	6		A-PT1/8		
5	25552390016	BUSHING-BEAM (L=80)	2				
	25552390015	BUSHING-BEAM (L=60)	2				
6	35410190100	SHAFT-EQUALIZER	2				
7	25551590007	SEAL-DUST	4				
8	25527290005	SHIM	12				
9	25528290005	BEARING ASSY	4				
10	35410190200	STOPPER-BEAM	4				
11	20817082510	BOLT	16				
12	20008915238	WASHER-SPRING	16				
13	35410190300	COVER-DUST	8				
14	35410190400	SPACER-BEAM END (OUTER SIDE)	4				
15	35410190500	SPACER-BEAM END (INNER SIDE)	4				
16	35410190600	SHAFT-HANGER	4				
17	20813463510	BOLT	12				
18	20008915246	WASHER-SPRING	12				
19	20131902014	SHIM (T=1.0)	8				
	20131902004	SHIM (T=0.7)	8				
	20131902024	SHIM (T=3.0)	8				

## TC-4255-1-00200 FOR CHINA

Pos No.	Parts No	Parts Name	Qty	Unit	Technical Data	Serial No (Start)	Serial No (End)
1	35590141000	FENDER-SIDE (LOWER, FRONT)	1				
4	26310298079	FENDER-SIDE (UPPER)	1				
5	20811406015	BOLT,W/WASHER	2				
6	20891274010	NUT-SELF LOCK	2				
7	22002671000	WASHER-PLAIN	4				
8	22064171000	CUSHION-RUBBER	4				
9	35590140200	FLOOR-FENDER (CENTER)	1				
10	20811402515	BOLT,W/WASHER (L=25)	6				
13	35590140300	FLOOR-FENDER (R.H. FRONT)	1				
14	20811402515	BOLT,W/WASHER (L=25)	7				
15	20891114015	NUT,W/WASHER	3				
18	35590140400	LID ASSY	1				
19	26517398002	SEAT-HINGE	1				
20	20083204141	SCREW	3				
21	20089111041	NUT	3				
22	20089151341	WASHER-SPRING	3				
23	26516598003	LATCH ASSY	1				
24	26516798001	CLIP	1				
27	35590140600	PLATE-FLOOR	1				
28	20811402015	BOLT,W/WASHER (L=20)	4				
30	35590140700	FENDER-FLOOR (R.H. MIDDLE)	1				
33	35590140800	FENDER-FLOOR	1				
35	35590142000	FENDER ASSY-FLOOR (R.H. REAR)	1				
36	20811402515	BOLT,W/WASHER (L=25)	6				
37	20891114015	NUT,W/WASHER	4				
40	35590140900	PLATE-MUD GUARD	1				
41	35590143100	STAY-MUD GUARD	1				
42	20811082015	BOLT,W/WASHER (M=8 L=20)	8				
43	20891110815	NUT,W/WASHER (M=8)	6				
50	35590143300	FENDER-FRONT (R.H. OUTER)	1				
53	35590143200	FENDER-FRONT (R.H. INNER)	1				
55	35590143400	FENDER-FRONT (L.H.)	1				
65	35590143500	BRACKET	2				
67	35590143600	BRACKET	2				
70	35590143700	BRACKET	2				
75	35590172100	REINFORCEMENT	1				
76	35590172200	REINFORCEMENT	1				
80	35590144000	MUD GUARD (R.H.)	1				
81	35590144100	MUD GUARD (L.H.)	1				
100	20811402515	BOLT,W/WASHER (L=25)	41				
101	20891114015	NUT,W/WASHER	41				
102	20891554010	WASHER-PLAIN	14				
110	20811423510	BOLT	8				
112	20891514210	WASHER-SPRING	8				
113	20891544210	WASHER-PLAIN	2				
118	20891114210	NUT	8				
120	35590144200	COVER	1				
121	20811081615	BOLT,W/WASHER (M=8 L=16)	2				
122	20891110815	NUT,W/WASHER (M=8)	2				

TC-4255-1-00200 FOR CHINA  
 PX1650035-00 BUMPER (FRONT)

C621

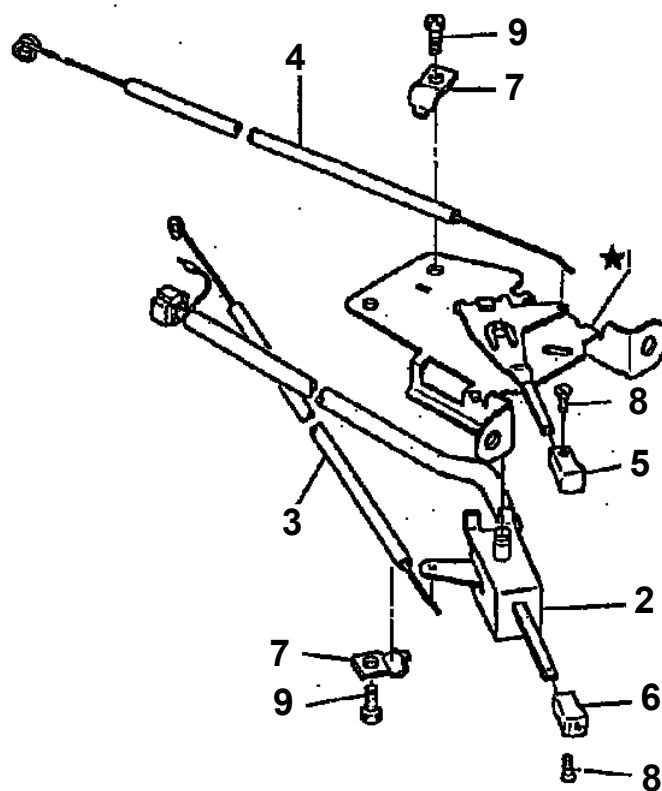


注：本図は右ハンドル車向けの図面です。  
 部品取付位置は左右逆になります。  
 NOTE: This illustration is for right-hand drive.  
 The actual location of the parts is left-right reverse.

★印は非販売部品です。  
 各々のASSYにて御注文下さい。  
 NOTE: The Mark★ shown in the Key No. of the  
 figure is not for sale individually.  
 Please place an order as each Assembly.

TC-4255-1-00200 FOR CHINA  
PY1120046-00 HEATER (CONTROL/INNER PARTS)

W270B



KEY NO. 1 - 9 CONTROL ASSY-HEATER (ASSY KEY NO100)

★印は非販売部品です。  
各々のASSYにて御注文下さい。  
NOTE: The Mark★ shown in the Key No. of the  
figure is not for sale individually.  
Please place an order as each Assembly.

CLICK HERE TO **DOWNLOAD** THE COMPLETE MANUAL

- Thank you very much for reading the preview of the manual.
- You can download the complete manual from: [www.heydownloads.com](http://www.heydownloads.com) by clicking the link below



- Please note: If there is no response to CLICKING the link, please download this PDF first and then click on it.

CLICK HERE TO **DOWNLOAD** THE COMPLETE MANUAL