

LS-1800-1-41107 UPPER,LOWER,ISUZU KK-NPS72LN

PD2000108-00 SWING UNIT

PG2000074-01 BOOM UNIT

PH1000554-00 SAFETY DEVICES (WORKING AREA LIMITER)

PK2000249-01 FRAME UNIT

PN2000006-01 LIGHTING UNIT

PO1000154-00 INDICATION PLATES

PW1000109-01 ACCESSORIES & TOOLS

PX2000077-01 CARRIER UNIT

PX3000087-01 MOUNTING UNIT

ASSEMBLY

CLICK HERE TO **DOWNLOAD** THE COMPLETE MANUAL

- Thank you very much for reading the preview of the manual.
- You can download the complete manual from: www.heydownloads.com by clicking the link below



- Please note: If there is no response to CLICKING the link, please download this PDF first and then click on it.

CLICK HERE TO **DOWNLOAD** THE COMPLETE MANUAL

LS-1800-1-41107 UPPER,LOWER,ISUZU KK-NPS72LN

Pos No.	Parts No	Parts Name	Qty	Unit	Technical Data	Serial No (Start)	Serial No (End)	Remarks	Pa
1	(*****)	TILTING SYSTEM,LAMP	1						000

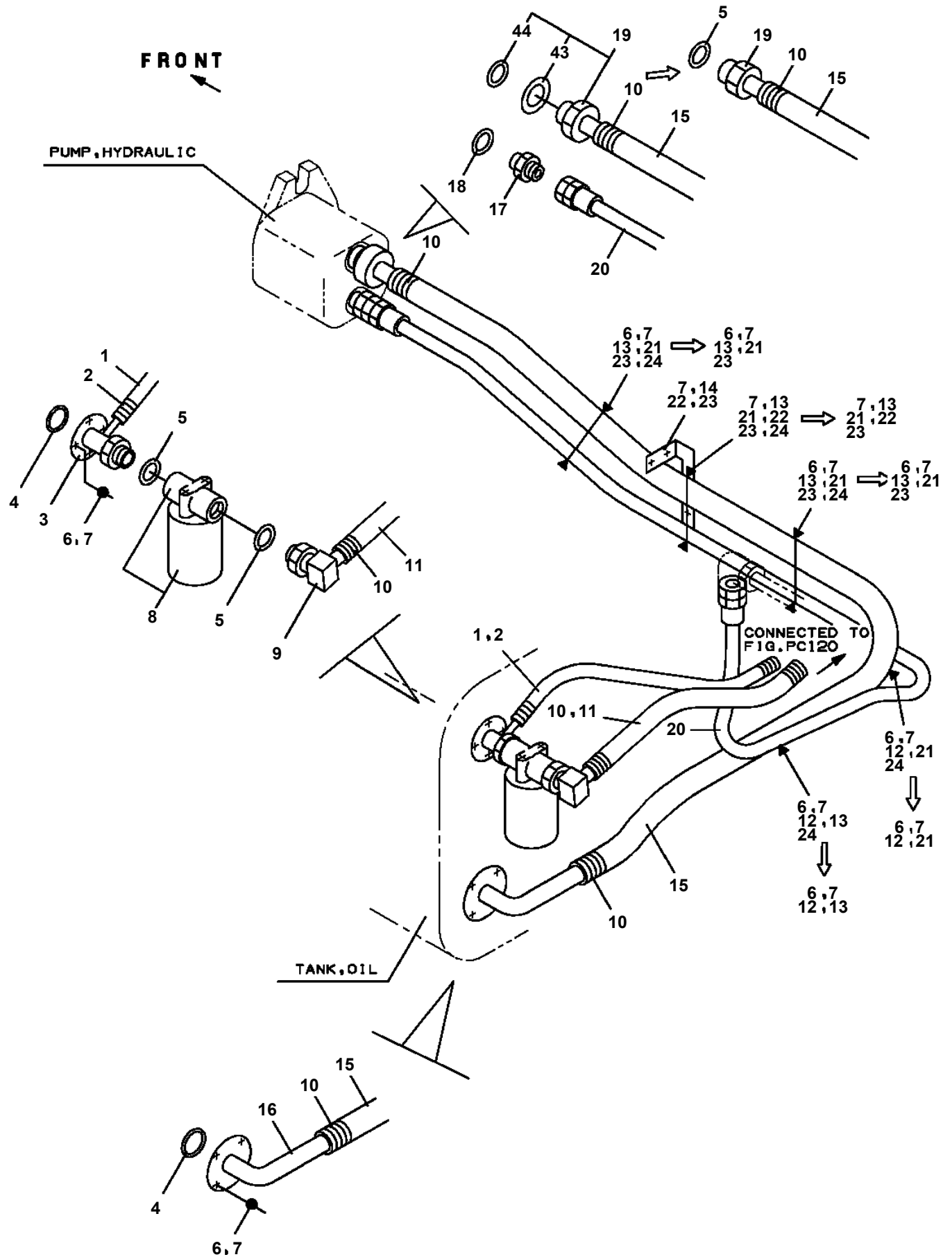
LS-1800-1-41107 UPPER,LOWER,ISUZU KK-NPS72LN

PI1140003-01 VALVE,CHECK
PI1140162-01 VALVE,CHECK
PI1250006-03 VALVE,COUNTERBALANCE
PI1250027-00 VALVE,COUNTERBALANCE
PI1250040-02 VALVE,COUNTERBALANCE
PI1250063-00 VALVE,COUNTERBALANCE
PI1300061-02 FILTER,OIL (YAMASHIN)
PK1010588-00 FRAME
PK1100277-01 SWING FRAME
PK1200314-01 COVER,SWING FRAME
PL1010765-00 OPERATION SYSTEM, CONTROL VALVE
PL1030807-01 OPE.ASSY,ACCELERATOR
PM5230001-01 MOTOR,OIL
PN1012122-03 ELEC.ASSY (SWING FRAME)
PN1012402-04 ELEC.ASSY (JIB)
PN1012404-03 ELEC.ASSY (FRAME)
PN1012714-02 ELEC.ASSY (FRAME)
PN1012716-03 ELEC.ASSY (CARRIER)
PN1012727-01 ELEC.ASSY (BOOM)
PN1060102-01 SWITCH PANEL
PN1080090-01 LAMP (FLOOD LIGHT)
PN1080094-01 LAMP (HALOGEN LIGHT/AC120V 300W)
PN1080096-01 LAMP (WORKING)
PN1080144-00 LAMP
PN1110239-00 RELAY
PN1350029-01 REEL,CORD (FOR EARTHING)
PN1450036-00 HARNESS
PO1013080-02 PLATE ASSY,NAME (UPPER)
PO1013081-01 PLATE ASSY,NAME (GENERATOR)
PO1013092-02 PLATE ASSY,NAME (LOWER)
PO1050008-00 MARKING (BOOM)
PP5500003-00 PUMP,OIL (32CC:L)
PQ1100021-01 TANK,FUEL
PQ1100039-00 TANK,FUEL
PQ1150002-00 PUMP,FUEL
PV1020200-01 VALVE,REMOTE CONTROL
PW1010240-01 ACCESSORIES
PW1030049-01 TOOLS
PW1050018-01 WEDGE (STOPPER FOR TIRE/JUSTIN)
PW5110002-00 WEDGE (STOPPER FOR TIRE/WAZUMI)
PW5110003-00 WEDGE (STOPPER FOR TIRE/NAKAMURA KIKI)
PX1030421-00 FENDER
PX1100005-01 TANK SUPPORT INSTALLATION
PX1120371-02 BOOM REST INSTALLATION
PX1170382-00 ATTACHMENT PARTS, CRANE FRAME
PX1200376-01 SIDE GUARD INSTALLATION
PX1210012-00 GUARD INSTALLATION
PX1290332-00 WEIGHT INSTALLATION
PX1310096-00 MOUNT,LAMP (TAIL)
PX1350489-00 BOX,TOOL (MOUNT)
PX1360015-01 REFLECTOR INSTALLATION
PX1390506-01 MODIFICATION PARTS
PX1480024-01 MOUNT,GENERATOR
PX1640009-00 BOARD (SWITCH BOARD)
PY1650066-02 EARTHING DEVICE

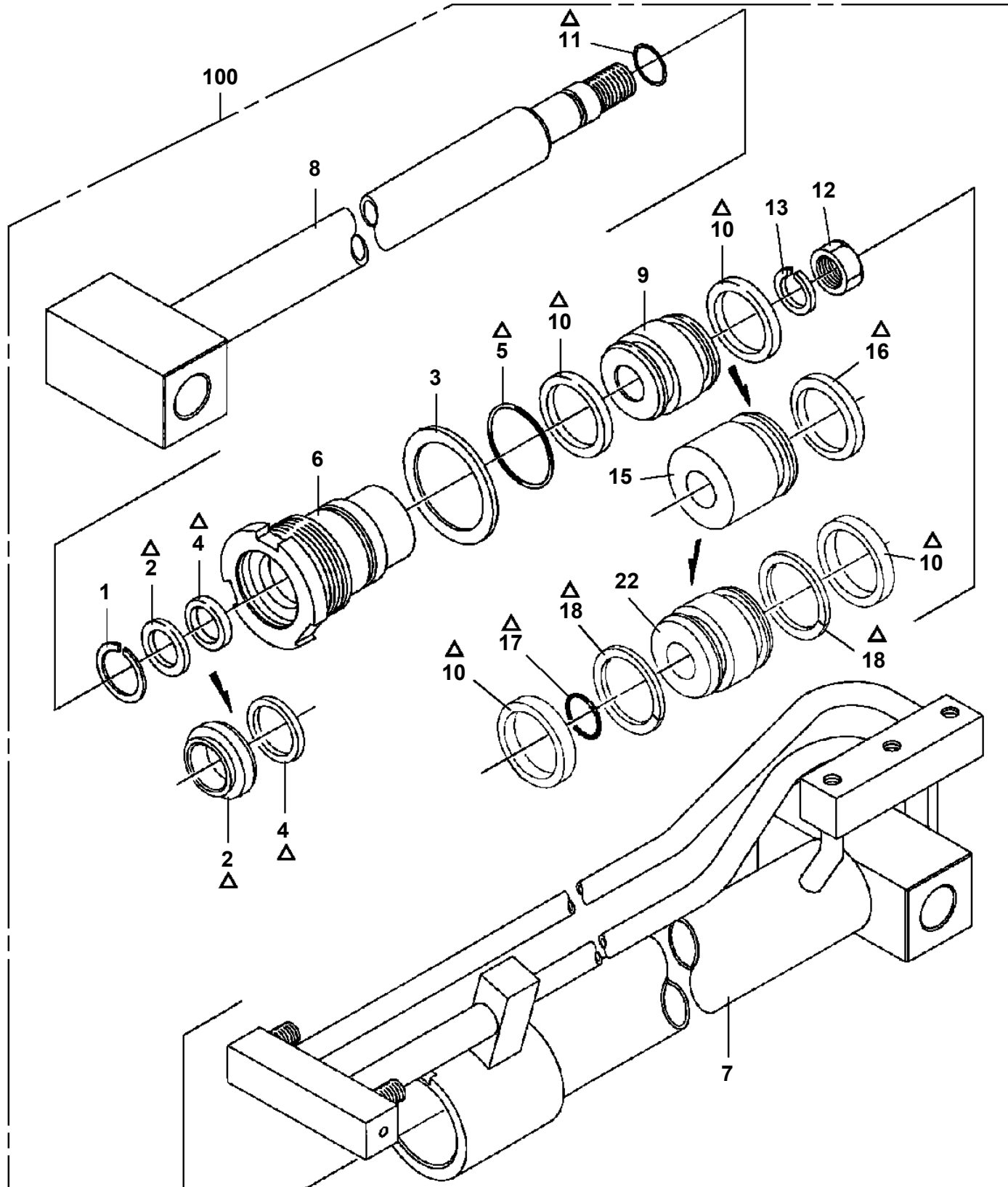
LS-1800-1-41107 UPPER,LOWER,ISUZU KK-NPS72LN

Pos No.	Parts No	Parts Name	Qty	Unit	Technical Data	Serial No (Start)	Serial No (End)	Remarks
2	42630682001	BRUSH,ROTARY JOINT	1					
3	90101208022	BOLT	3		M8X22			
4	90302040801	WASHER,SPRING	3		8			
21	53154004000	BUSH (THRUST)	1					
22	42630551100	BODY	1					
23	42630681100	CORE	1					
24	91531211000	PACKING	2					
25	91100211000	SEAL,RING	2					
26	82456101000	NIPPLE,GREASE	1		A-PT1/8			
27	42630681200	JOINT	1					
28	91002802200	O-RING	1		1B P22			
29	91002801800	O-RING	1		1B P18			
30	91002801400	O-RING	1		1B P14			
31	91002801100	O-RING	1		1B P11			
32	90131510050	BOLT,HEXAGON SOCKET	3		M10X50			
33	90302041001	WASHER,SPRING	3		10			
50	42630680000	JOINT,ROTARY	1					

**LS-1800-1-41107 UPPER,LOWER,ISUZU KK-NPS72LN
PB1411033-01 PIPING,HYDRAULIC LOWER**

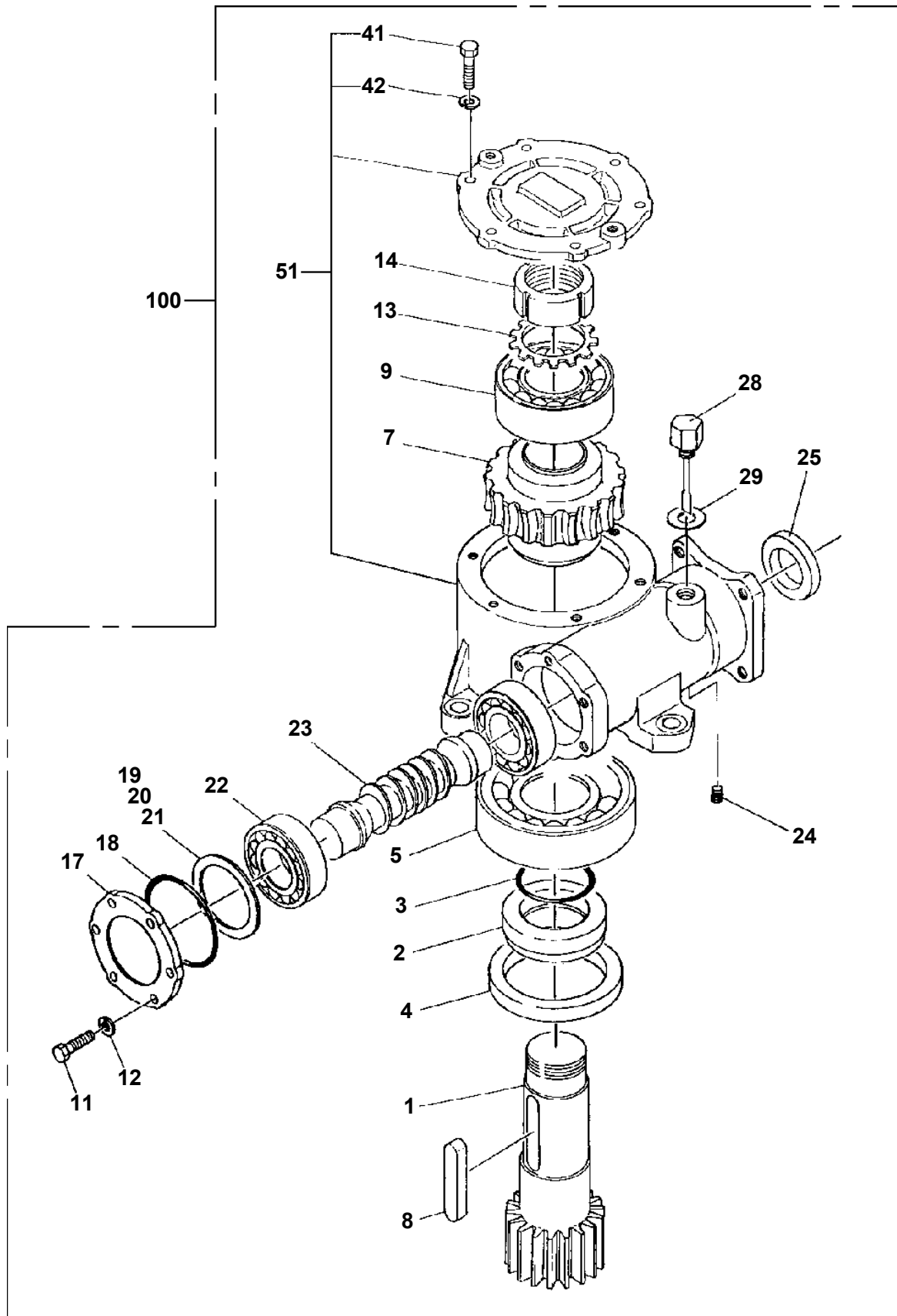


**LS-1800-1-41107 UPPER,LOWER,ISUZU KK-NPS72LN
PC1050219-00 CYLINDER,EXTENSION (REAR)**

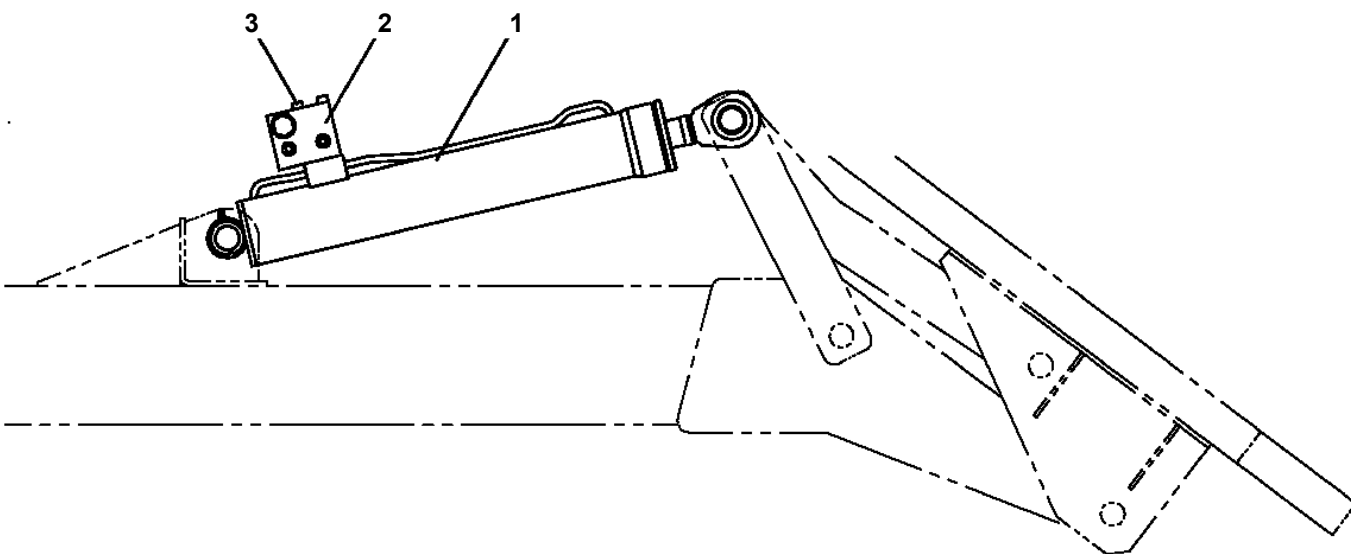
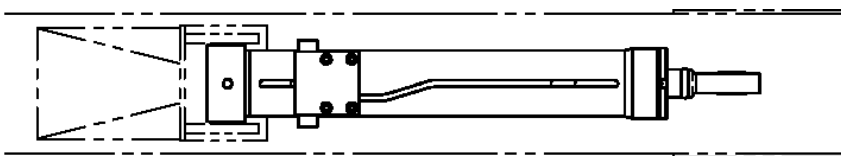


- Δ : PACKING SET KEY NO.30 (KEY NO.2,4,5,10,11)
- ↓
- Δ : PACKING SET KEY NO.40 (KEY NO.2,4,5,16)
- ↓
- Δ : PACKING SET KEY NO.50 (KEY NO.2,4,5,10,17,18)

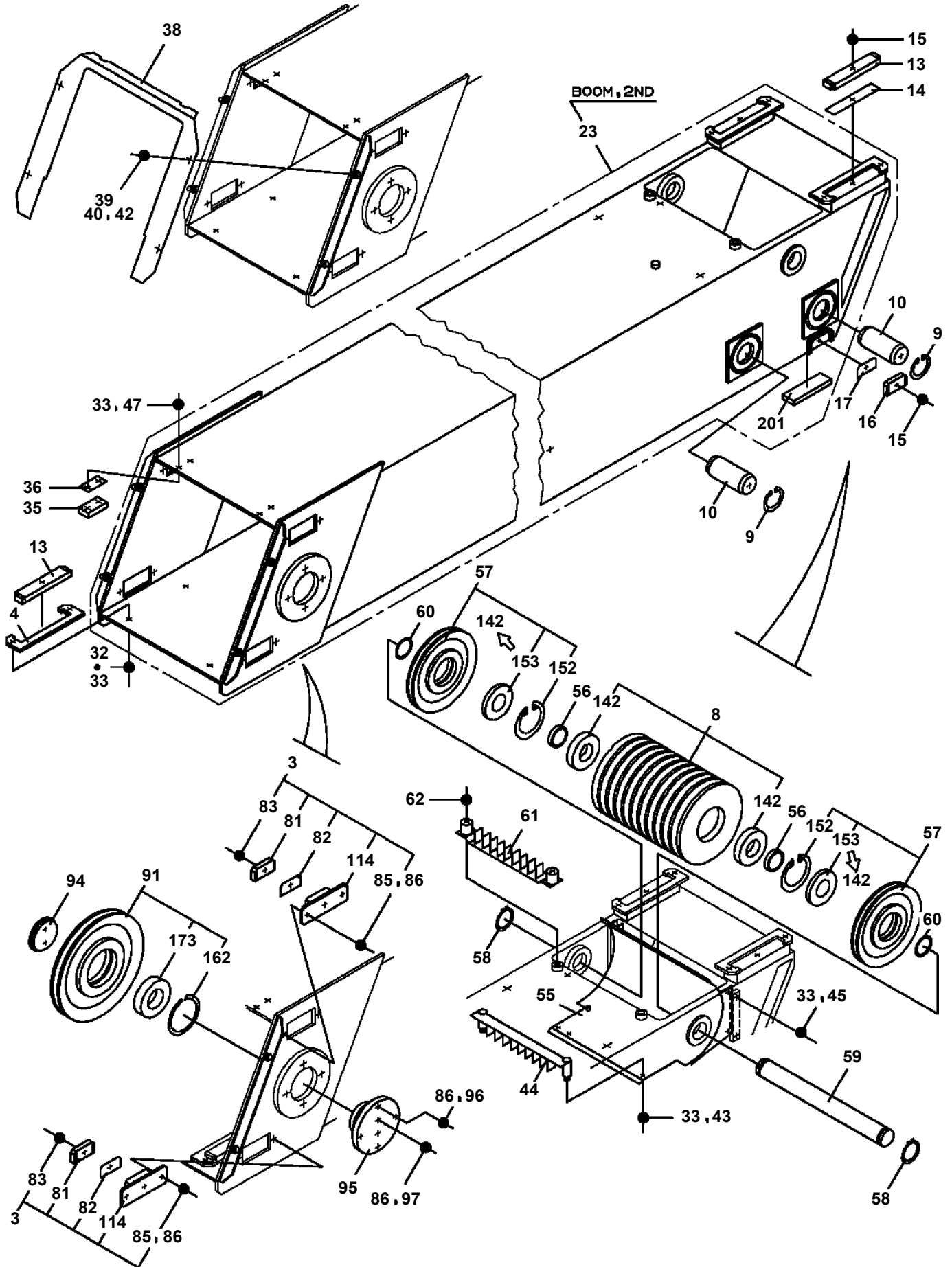
LS-1800-1-41107 UPPER,LOWER,ISUZU KK-NPS72LN
PD1010106-01 REDUCER,SWING SPEED



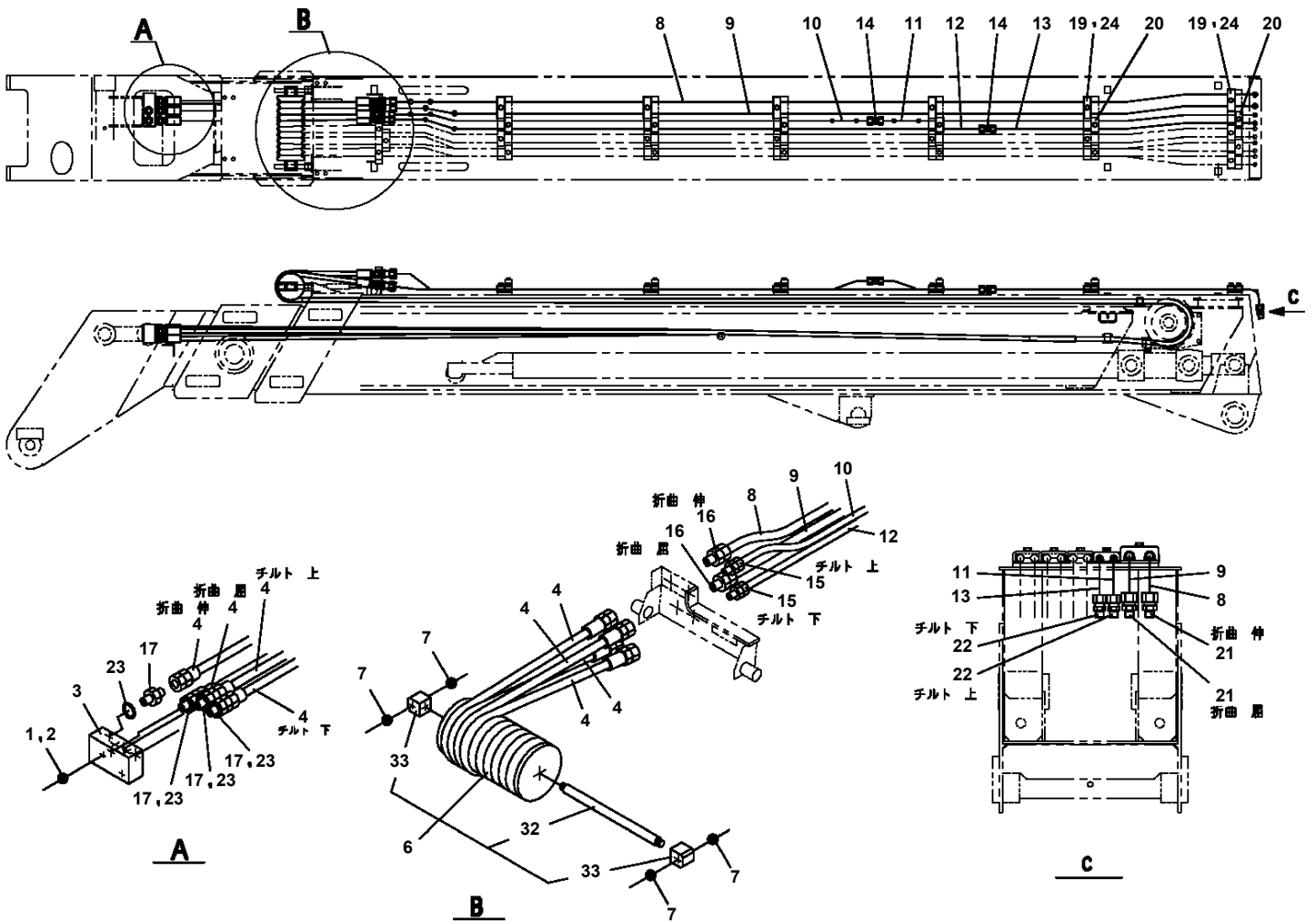
LS-1800-1-41107 UPPER,LOWER,ISUZU KK-NPS72LN
PE1390001-00 CYLINDER,TILT (MOUNT)



LS-1800-1-41107 UPPER,LOWER,ISUZU KK-NPS72LN
PG1010564-05 BOOM



LS-1800-1-41107 UPPER,LOWER,ISUZU KK-NPS72LN
 PG1220021-02 PIPING,BOOM



LS-1800-1-41107 UPPER,LOWER,ISUZU KK-NPS72LN

Pos No.	Parts No	Parts Name	Qty	Unit	Technical Data	Serial No (Start)	Serial No (End)
1	90304110601	WASHER,TOOTH	4		6		
2	90201200600	NUT	4		M6		
3	90302040601	WASHER,SPRING	10		6		
4	36130230000	DETECTOR,BOOM LENGTH	1				
5	90101206010	BOLT	10		M6X1.0		
6	42350230100	COVER	1				HD0265
	42352910100	COVER	1			HD0266	
7	42350071000	ROLLER ASSY	2				
8	42360030060	WASHER	1				
9	82100001735	SLEEVE	1				
10	82100001737	SLEEVE	2				
11	80175304010	SCREW,MACHINE	1		M4X10		
12	90101208014	BOLT	4		M8X14		
13	90302040801	WASHER,SPRING	4		8		
14	90303070801	WASHER,PLAIN	4		8		
15	82100001411	TUBE,SPIRAL	1	M	SE-08BK		
16	36140010000	DETECTOR ASSY,ANGLE (ASSY ONLY)	1				
17	82100002035	CLAMP	1		WE8		
18	82100002037	CLAMP	1		WE10		
20	82100002010	CLAMP	2		WR15		
21	91810130240	FASTENER	4				
31	42360030040	SUPPORT	2				
32	37001102350	ROLLER	2				
33	37000302060	SPACER	2		L=11.2		
35	90201201000	NUT	2		M10		
36	90302041001	WASHER,SPRING	2		10		
37	90303071001	WASHER,PLAIN	2		10		

LS-1800-1-41107 UPPER,LOWER,ISUZU KK-NPS72LN

Pos No.	Parts No	Parts Name	Qty	Unit	Technical Data	Serial No (Start)	Serial No (End)	Remarks	Pages
100	42352260500	HARNESS	1						

LS-1800-1-41107 UPPER,LOWER,ISUZU KK-NPS72LN

Pos No.	Parts No	Parts Name	Qty	Unit	Technical Data	Serial No (Start)	Serial No (End)	Remarks	Pages
1	42806770300	HARNESS	1						

CLICK HERE TO **DOWNLOAD** THE COMPLETE MANUAL

- Thank you very much for reading the preview of the manual.
- You can download the complete manual from: www.heydownloads.com by clicking the link below



- Please note: If there is no response to CLICKING the link, please download this PDF first and then click on it.

CLICK HERE TO **DOWNLOAD** THE COMPLETE MANUAL

LS-1800-1-41107 UPPER,LOWER,ISUZU KK-NPS72LN

Pos No.	Parts No	Parts Name	Qty	Unit	Technical Data	Serial No (Start)	Serial No (End)	Remarks	Pages
100	42712341010	HARNESS	1						

LS-1800-1-41107 UPPER,LOWER,ISUZU KK-NPS72LN

Pos No.	Parts No	Parts Name	Qty	Unit	Technical Data	Serial No (Start)	Serial No (End)	Remarks	Pages
100	42352270010	HARNESS	1						

LS-1800-1-41107 UPPER,LOWER,ISUZU KK-NPS72LN

Pos No.	Parts No	Parts Name	Qty	Unit	Technical Data	Serial No (Start)	Serial No (End)	Remarks	Pages
100	42612533100	HARNESS	1						

LS-1800-1-41107 UPPER,LOWER,ISUZU KK-NPS72LN

Pos No.	Parts No	Parts Name	Qty	Unit	Technical Data	Serial No (Start)	Serial No (End)	Remarks	Pages
1	36620650000	VALVE,CHECK	1						
2	36620030050	PLUG	1						
4	91002801000	O-RING	1		1B P10				
5	52255101000	SPRING	1						
7	91002801400	O-RING	2		1B P14				
8	36620030010	PLUG	1		PF3/8				
9	91002801200	O-RING	2		1B P12				

LS-1800-1-41107 UPPER,LOWER,ISUZU KK-NPS72LN

Pos No.	Parts No	Parts Name	Qty	Unit	Technical Data	Serial No (Start)	Serial No (End)	Remark
3	91002801400	O-RING	3		1B P14			
7	36601665020	SPRING	1					
10	91001001000	O-RING	1		1A S10			
11	36601665030	SPRING	1					
13	91002803400	O-RING	1		1B P34			
14	36601665050	O-RING	1		P25			
15	91410002500	RING,BACKUP	1		P25			
18	91002802600	O-RING	1		1B P26			
19	91001301600	O-RING	1		WP16			
20	91002801000	O-RING	1		1B P10			
21	91410001000	RING,BACKUP	1		P10			
50	36601660001	VALVE,COUNTERBALANCE	1					

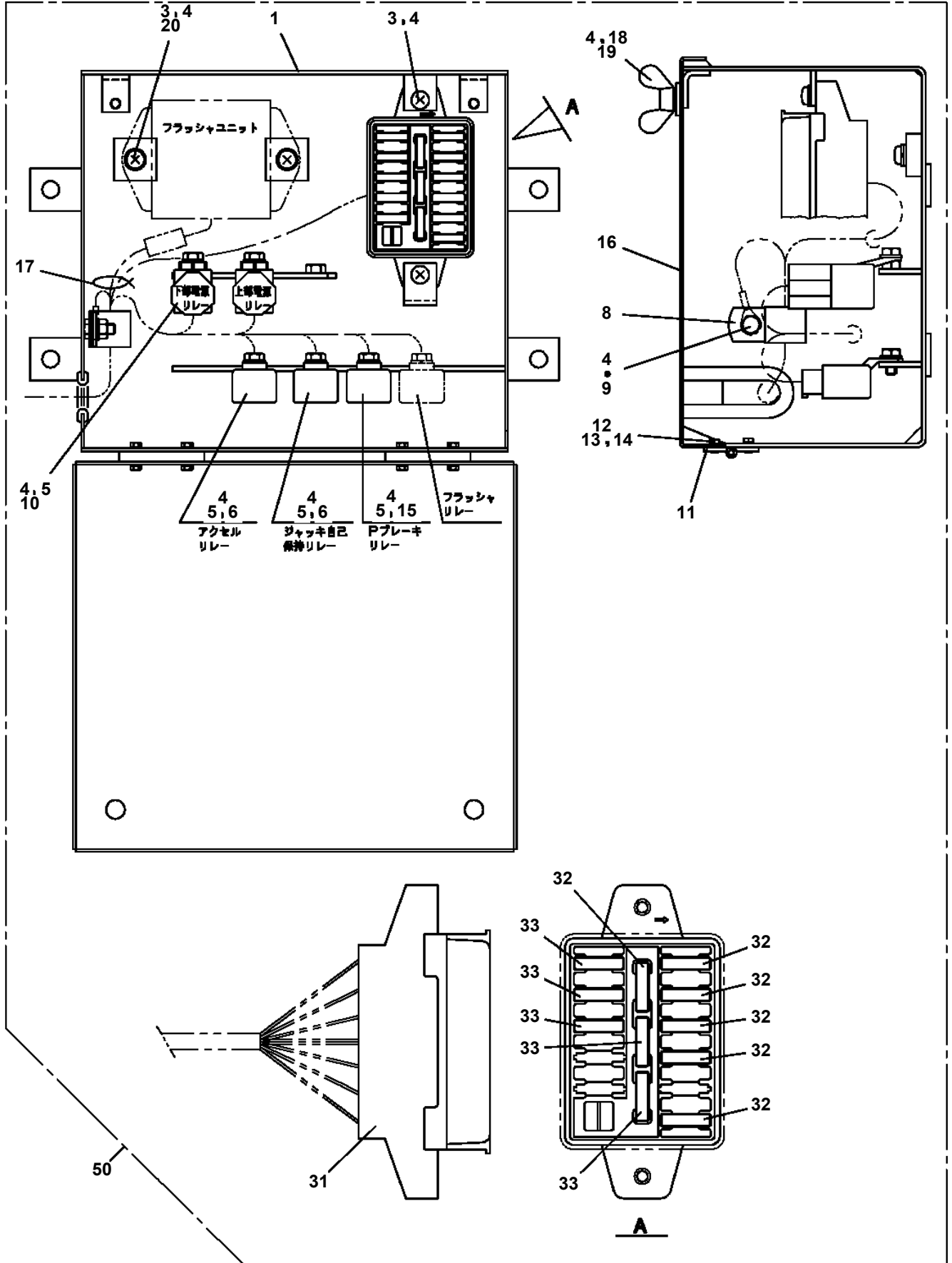
LS-1800-1-41107 UPPER,LOWER,ISUZU KK-NPS72LN

Pos No.	Parts No	Parts Name	Qty	Unit	Technical Data	Serial No (Start)	Serial No (End)	Remarks
1	31322050500	KNOB (BLACK)	5					
2	42320870100	LEVER	1					
3	42320870200	LEVER	1					
4	42320790300	LEVER	1					
5	37000168420	PIN	1					
6	80728104020	PIN,SPRING	1					
7	42320870400	LEVER	1					
8	36647780000	VALVE,REMOTE CONTROL	1					
9	42320871000	SUPPORT	1					
10	90101210025	BOLT	4		M10X25			
11	90201201000	NUT	4		M10			
12	90302041001	WASHER,SPRING	4		10			
13	90101208022	BOLT	4		M8X22			
14	90201200800	NUT	4		M8			
15	90302040801	WASHER,SPRING	4		8			
16	37000105610	PIN	5		L=18			
17	80136320010	PIN,SPLIT	5		2X10			
18	37000537270	PLATE	2					
19	42320870300	LEVER	1					

LS-1800-1-41107 UPPER,LOWER,ISUZU KK-NPS72LN

Pos No.	Parts No	Parts Name	Qty	Unit	Technical Data	Serial No (Start)	Serial No
1	42352340100	HARNESS	1				HD0152
	42353500100	HARNESS	1			HD0153	
2	42352340200	HARNESS	1				
3	37000711220	CLAMP ASSY	2				
4	37000714020	CLAMP ASSY	3		12X2		
5	42352340300	HARNESS	2				
6	37000601110	CLAMP	8				
7	37000601410	CUSHION	16				
8	37000714210	CLAMP ASSY	1		12X4		
9	90302040801	WASHER,SPRING	6		8		
10	90171108070	BOLT	4		M8X70		
11	90201400800	NUT	4		M8		
12	42352340400	COVER	1				
13	82104501250	SWITCH,LIMIT (2 PCS/SET,WITH HARNESS)	1				
14	90101206014	BOLT	3		M6X14		
15	90302040601	WASHER,SPRING	9		6		HD0152
	90302040601	WASHER,SPRING	12		6	HD0153	
16	34430050500	SWITCH ASSY (WITH CONNECTOR)	2				
17	80192484020	SCREW,MACHINE	2		M4X20		
18	42352340500	SUPPORT	1				
19	90101208016	BOLT	2		M8X16		
20	90303070801	WASHER,PLAIN	2		8		
21	82100002037	CLAMP	1		WE10		
22	90201200600	NUT	7		M6		HD0152
	90201200600	NUT	10		M6	HD0153	
23	82100002006	CLAMP	3		WR10		HD0152
	82100002006	CLAMP	6		WR10	HD0153	
24	82100002004	CLAMP	1		WR8		
25	90131505025	BOLT,HEXAGON SOCKET	2		M5X25		
26	90303070501	WASHER,PLAIN	2		5		
27	90302040501	WASHER,SPRING	2		5		
28	90201200500	NUT	2		M5		
29	37000103740	PIN	2				
30	90303071201	WASHER,PLAIN	4		12		
31	80136340025	PIN,SPLIT	4		4X25		
32	37000714080	CLAMP ASSY	2		12X3		
33	82100002002	CLAMP	1		WR6		
34	82100002008	CLAMP	1		WR12		
35	42351790010	PLUG	1				
36	42353080300	HARNESS	1				
37	42350250070	PLUG (2 POLES,MALE)	1			HD0153	

LS-1800-1-41107 UPPER,LOWER,ISUZU KK-NPS72LN
 PN1110239-00 RELAY

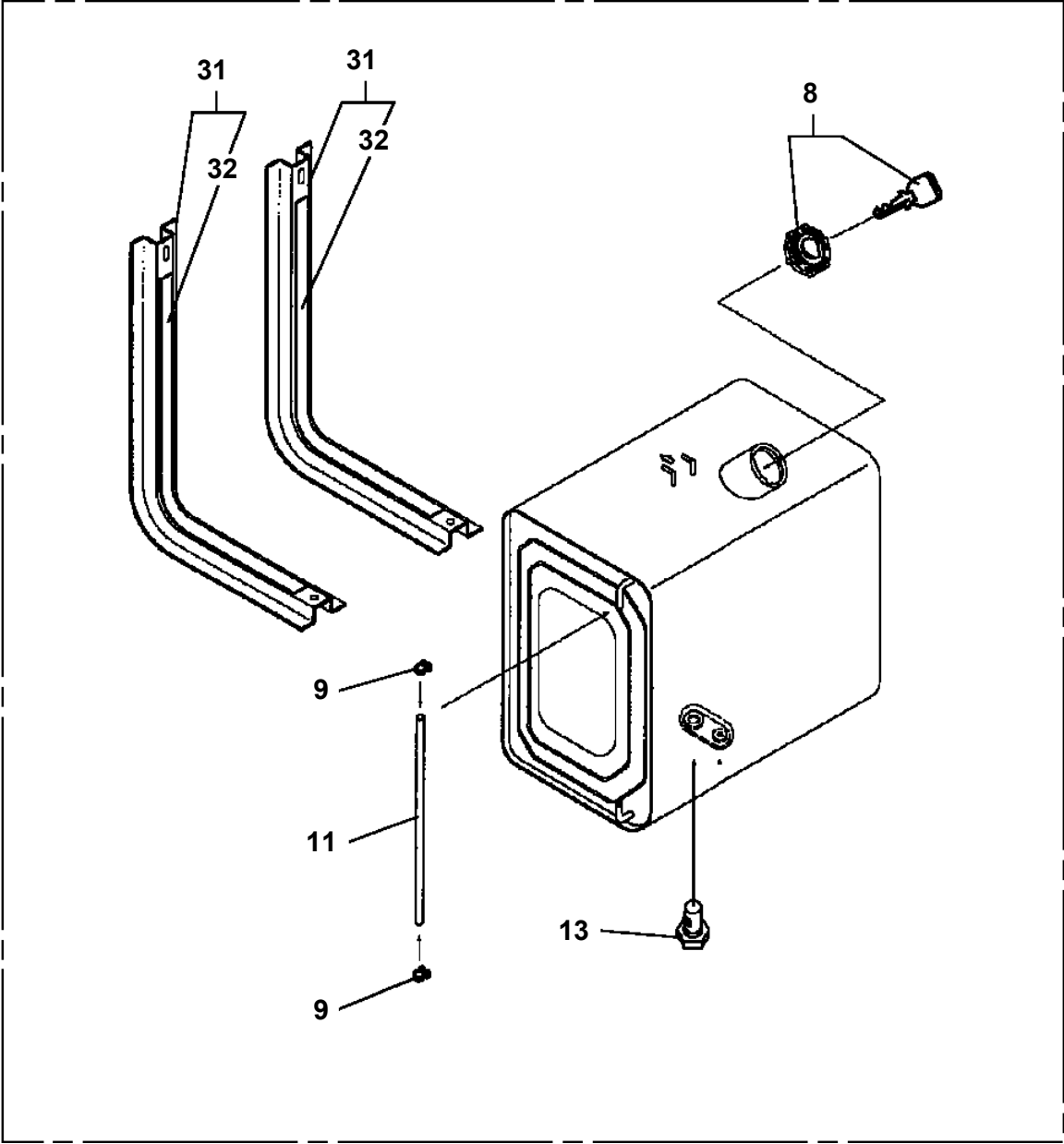


LS-1800-1-41107 UPPER,LOWER,ISUZU KK-NPS72LN

Pos No.	Parts No	Parts Name	Qty	Unit	Technical Data	Serial No (Start)	Serial No (End)	Remarks	Pages
1	37002222390	PLATE,NAME	1						
2	42393622040	PLATE,CAUTION	1						
3	42394412010	PLATE,NAME	1						
4	42805473050	PLATE,CAUTION	1						
5	42941480230	PLATE,NAME	1						
6	42394412020	PLATE,NAME	1						
7	42394412030	PLATE,NAME	1						
8	42394072010	PLATE,CAUTION	1						
9	42394412040	PLATE,CAUTION	1						
10	42394472040	PLATE,NAME	1						

LS-1800-1-41107 UPPER,LOWER,ISUZU KK-NPS72LN
PQ1100039-00 TANK,FUEL

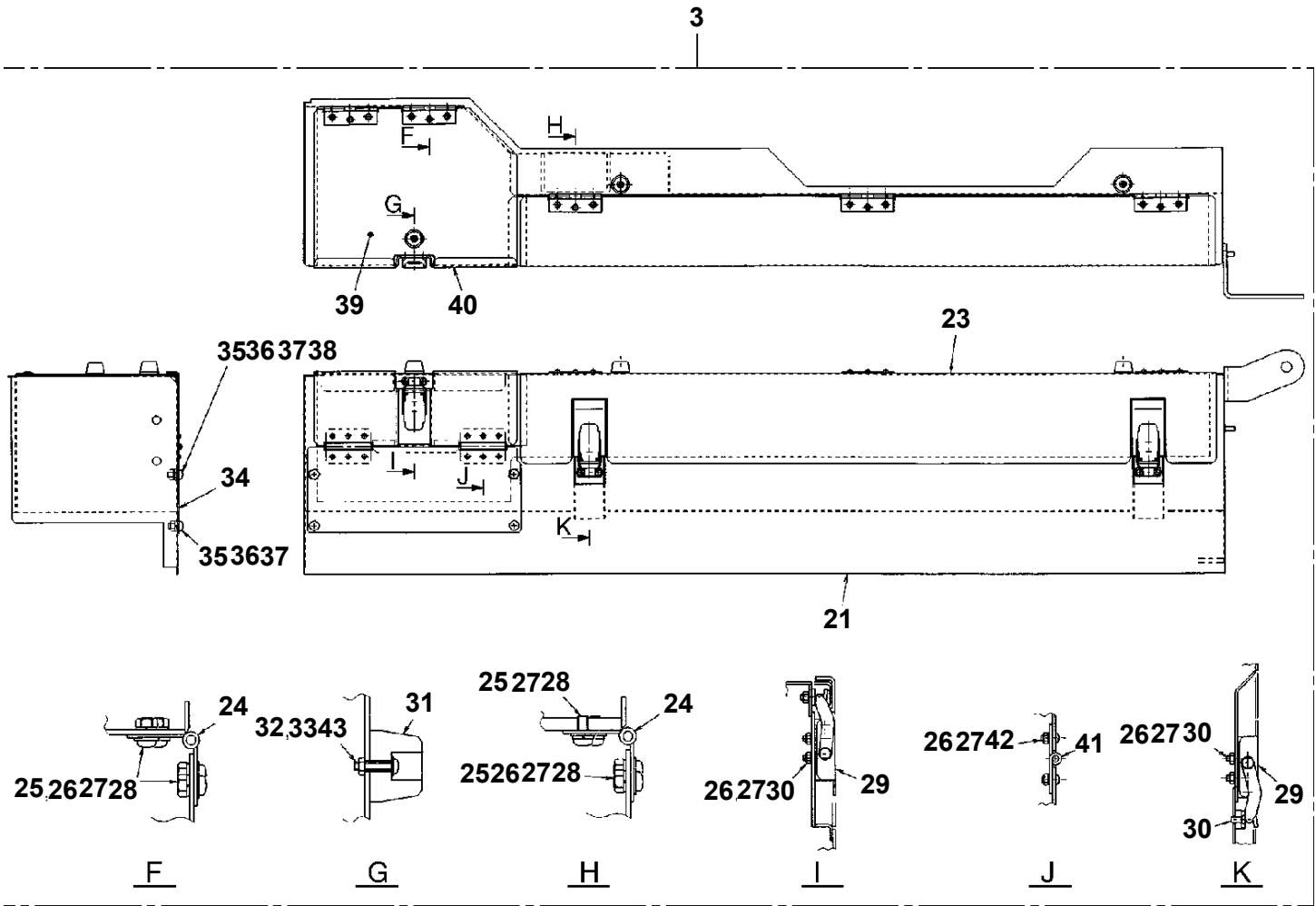
100



LS-1800-1-41107 UPPER,LOWER,ISUZU KK-NPS72LN

Pos No.	Parts No	Parts Name	Qty	Unit	Technical Data	Serial No (Start)	Serial No (End)
2	37004100040	PUMP,GREASE (DOMESTIC)	1				
3	42473931000	TOOLS	1				
4	42890034000	BLOCK,WOOD	4		W=350,H=80		
5	42895020100	CABLE	3		L=10000		
6	42894810200	LAMP (HALOGEN LIGHT/AC120V 300W)	1				
7	42895022000	BOX ASSY	1				
8	90101208012	BOLT	4		M8X12		
9	90302040801	WASHER,SPRING	8		8		
10	42895020400	PUMP,FUEL	1				
11	90101208020	BOLT	4		M8X20		
12	42895020500	HOSE	1		L=2000		
13	42895020600	HOSE	1		L=2000		
31	42460012530	WEDGE (STOPPER FOR TIRE/WAZUMI)	4				HD03
	42460012540	WEDGE (STOPPER FOR TIRE/NAKAMURA KIKI)	4				HD03
	42460012550	WEDGE (STOPPER FOR TIRE/JUSTIN)	4			HD0310	
41	42895022100	BOX	1				
42	42895022200	COVER	1				
43	90813106012	BOLT,WING	4		M6X12		
44	37000513410	PLATE	4				
45	90302040601	WASHER,SPRING	4		6		

LS-1800-1-41107 UPPER,LOWER,ISUZU KK-NPS72LN
PX1030421-00 FENDER



LS-1800-1-41107 UPPER,LOWER,ISUZU KK-NPS72LN

Pos No.	Parts No	Parts Name	Qty	Unit	Technical Data	Serial No (Start)	Serial No (End)	Remarks	Pages
1	42773431000	GUARD,SIDE	1						
3	42773433000	GUARD,SIDE	1						
4	42773434000	GUARD,SIDE	1						
5	42773435000	GUARD,SIDE	1						
6	42772914000	GUARD,SIDE	1						
7	37000533160	PLATE	1			HD0127			
9	90101210020	BOLT	20		M10X20		HD0126		
	90101210020	BOLT	16		M10X20	HD0127			
10	90302041001	WASHER,SPRING	28		10				
11	90101210025	BOLT	6		M10X25		HD0126		
	90101210025	BOLT	10		M10X25	HD0127			
12	90101210030	BOLT	2		M10X30				
13	90201201000	NUT	10		M10				
14	90303071001	WASHER,PLAIN	12		10		HD0126		
	90303071001	WASHER,PLAIN	14		10	HD0127			
15	42773436001	GUARD,SIDE	1						
31	42773435100	GUARD,SIDE	1						
32	42773435200	COVER	1						
33	82400000313	HINGE	2						
34	80172805014	SCREW,MACHINE	4		M5X14				
35	90201500500	NUT	4		M5				
36	90302510501	WASHER,SPRING	8		5				
37	80175805010	SCREW,MACHINE	6		M5X10				
38	82466101222	CATCH	1						
39	80175803006	SCREW,MACHINE	4		M3X6				
40	82466188304	LOCK	1						
41	80172805008	SCREW,MACHINE	4		M5X8				

CLICK HERE TO **DOWNLOAD** THE COMPLETE MANUAL

- Thank you very much for reading the preview of the manual.
- You can download the complete manual from: www.heydownloads.com by clicking the link below



- Please note: If there is no response to CLICKING the link, please download this PDF first and then click on it.

CLICK HERE TO **DOWNLOAD** THE COMPLETE MANUAL