

LS-1800-1-40500 LOWER,ISUZU KC-NPS72LN
PX1000696-00 MOUNTING PARTS
ASSEMBLY

CLICK HERE TO **DOWNLOAD** THE COMPLETE MANUAL

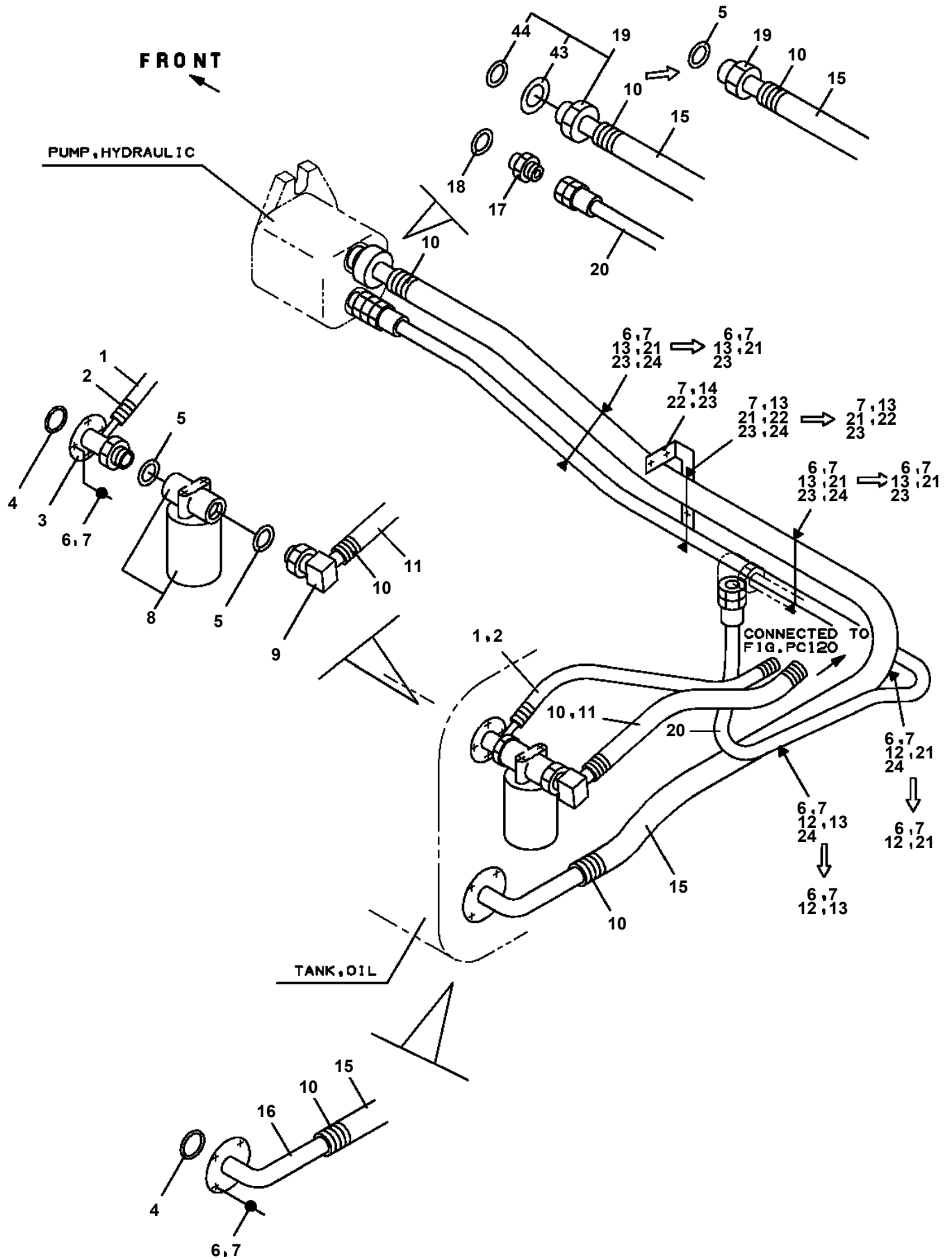
- Thank you very much for reading the preview of the manual.
- You can download the complete manual from: www.heydownloads.com by clicking the link below



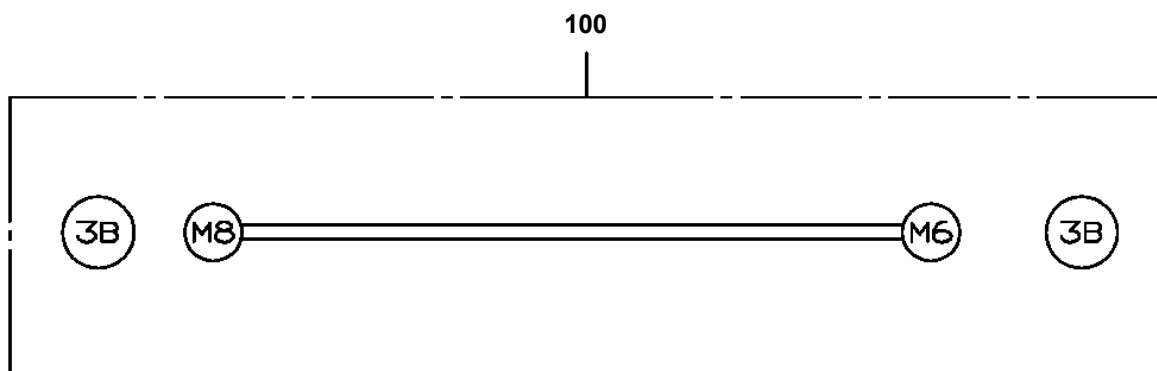
- Please note: If there is no response to CLICKING the link, please download this PDF first and then click on it.

CLICK HERE TO **DOWNLOAD** THE COMPLETE MANUAL

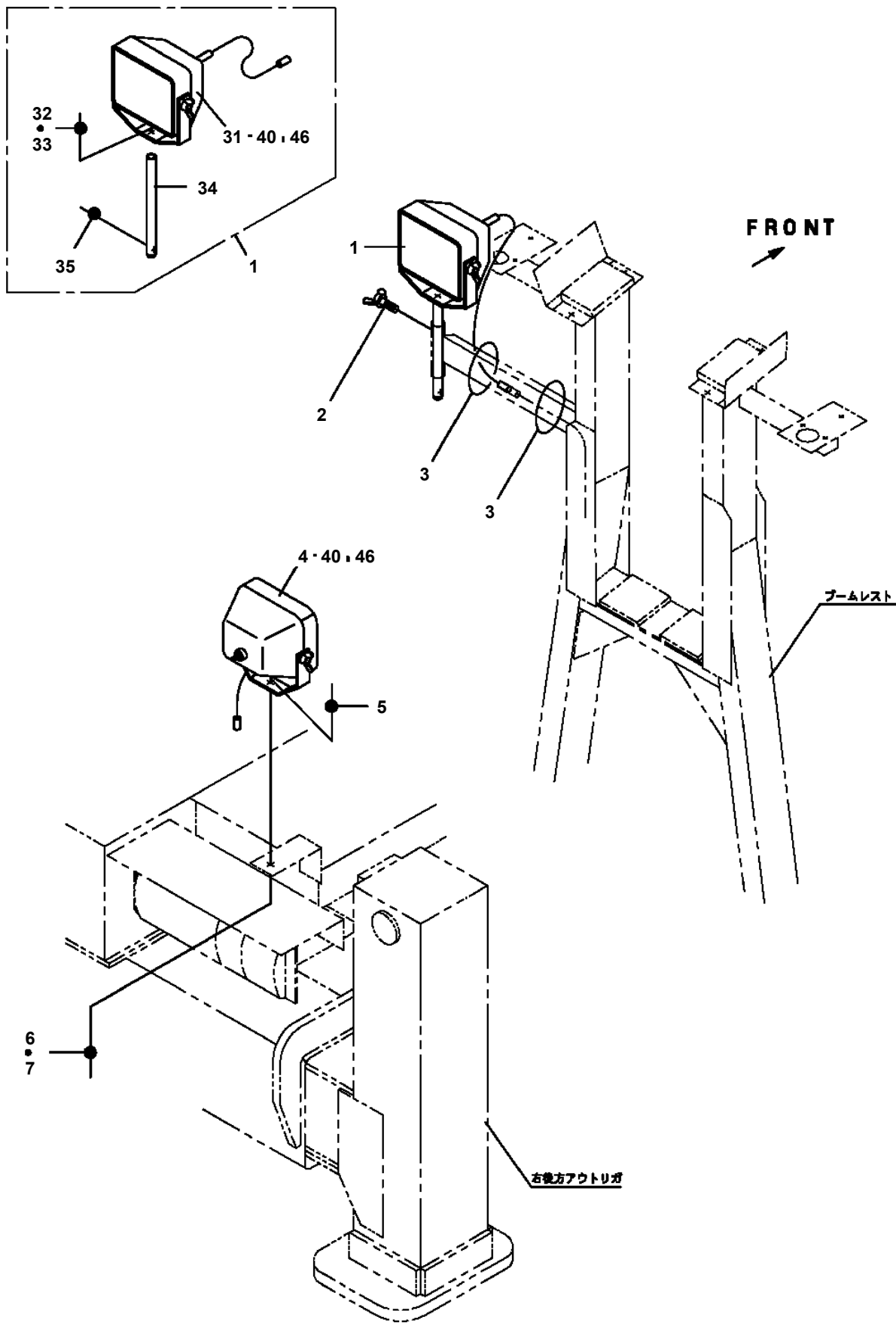
**LS-1800-1-40500 LOWER, ISUZU KC-NPS72LN
PB1411033-01 PIPING, HYDRAULIC LOWER**



LS-1800-1-40500 LOWER,ISUZU KC-NPS72LN
PH5034451-00 HARNESS



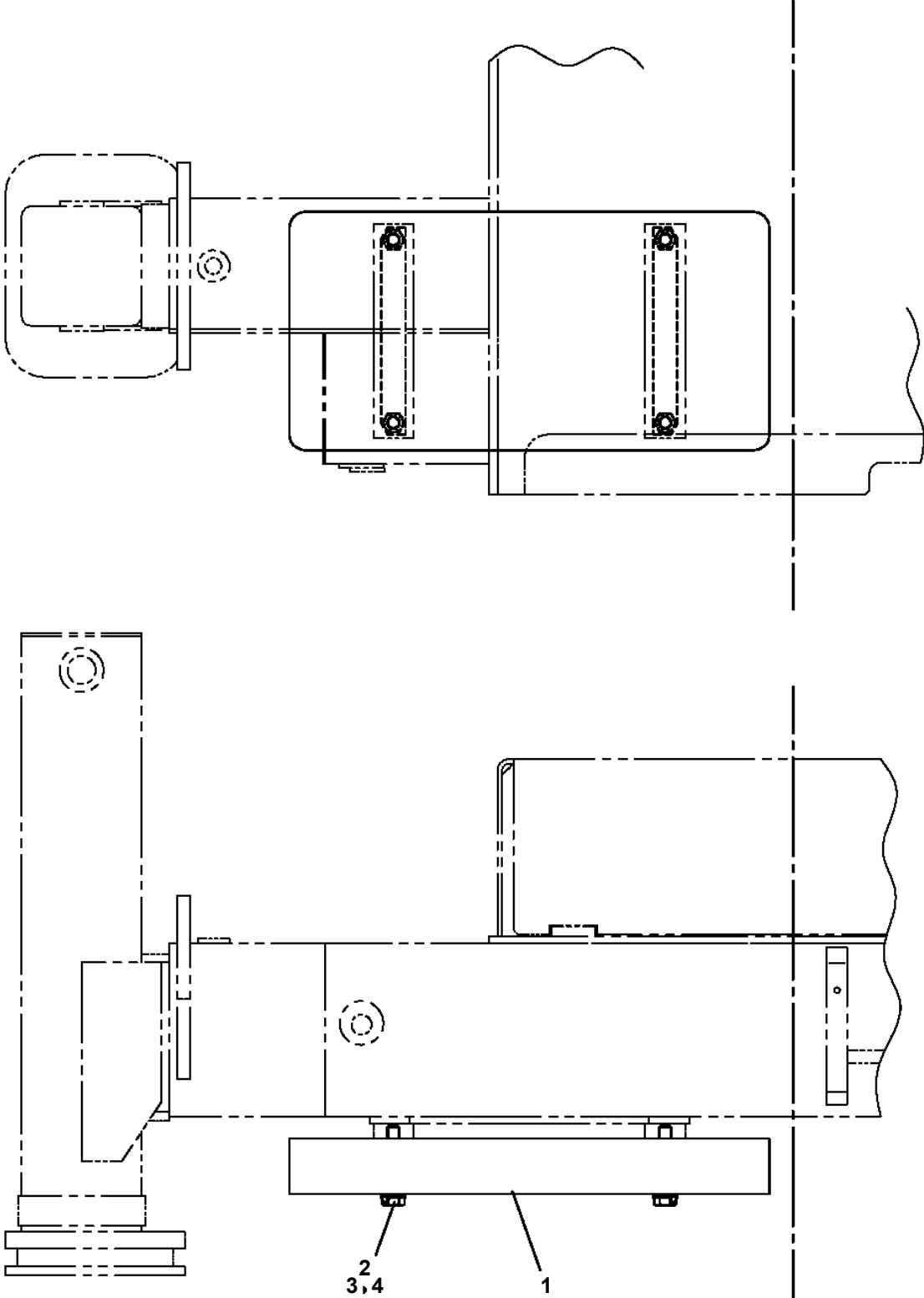
LS-1800-1-40500 LOWER, ISUZU KC-NPS72LN
PN1080096-01 LAMP (WORKING)



LS-1800-1-40500 LOWER,ISUZU KC-NPS72LN

Pos No.	Parts No	Parts Name	Qty	Unit	Technical Data	Serial No (Start)	Serial No (End)	Remarks	P
1	42695161000	FENDER	1						
2	42695162000	FENDER (FRONT,LEFT)	1						
3	42695163000	BOX ASSY	1						
4	42694524000	FENDER	1						
5	90303071001	WASHER,PLAIN	4		10				
6	90101210020	BOLT	8		M10X20				
7	90302041001	WASHER,SPRING	24		10				
8	90201201000	NUT	4		M10				
9	90101210025	BOLT	16		M10X25				
10	42692330100	PLATE	8		T=1				
11	37000505950	PLATE	16		T=3.2				
12	82400000201	GROMMET	5		KG-016				
31	42695163100	BOX	1						
33	42695163800	COVER	1						
34	82464110006	HINGE	5						
35	80172804008	SCREW,MACHINE	30		M4X8				
36	90201500400	NUT	47		M4				
37	90302510401	WASHER,SPRING	50		4				
38	90303520401	WASHER,PLAIN	30		4				
39	82466153903	CATCH	3						
40	80175804010	SCREW,MACHINE	12		M4X10				
41	82400000393	INSULATOR	3						
42	80172803014	SCREW,MACHINE	3		M3X14				
43	90201500300	NUT	3		M3				
44	42695164200	COVER	1						
45	80182808016	SCREW,MACHINE	4						
46	90201200800	NUT	4		M8				
47	90302040801	WASHER,SPRING	4		8				
48	90303070801	WASHER,PLAIN	2		8				
49	42695164000	COVER	1						
50	42695164100	COVER	1						
51	82464107813	HINGE	2						
52	80172804010	SCREW,MACHINE	12		M4X10				
53	90303520301	WASHER,PLAIN	3		3				
69	82400000204	GROMMET	1	M	L=320				

LS-1800-1-40500 LOWER, ISUZU KC-NPS72LN
PX1290332-00 WEIGHT INSTALLATION



CLICK HERE TO **DOWNLOAD** THE COMPLETE MANUAL

- Thank you very much for reading the preview of the manual.
- You can download the complete manual from: www.heydownloads.com by clicking the link below



- Please note: If there is no response to CLICKING the link, please download this PDF first and then click on it.

CLICK HERE TO **DOWNLOAD** THE COMPLETE MANUAL