

HT-300-1-30105 UPPER,LOWER,HINO PB-XZU404M-TKFRW3

PB000012-00 UPPER STRUCTURE SYSTEM

PB0000306-00 LOWER STRUCTURE SYSTEM

PH1000550-00 SAFETY DEVICES (MOTION CONTROLLER)

PO1000182-00 INDICATION PLATES (UPPER)

PO1000183-00 INDICATION PLATES (LOWER)

PY1001754-00 OPTION UNIT,1 (UPPER)

PY2000261-00 OPTION UNIT,2 (UPPER)

ASSEMBLY

CLICK HERE TO **DOWNLOAD** THE COMPLETE MANUAL

- Thank you very much for reading the preview of the manual.
- You can download the complete manual from: www.heydownloads.com by clicking the link below



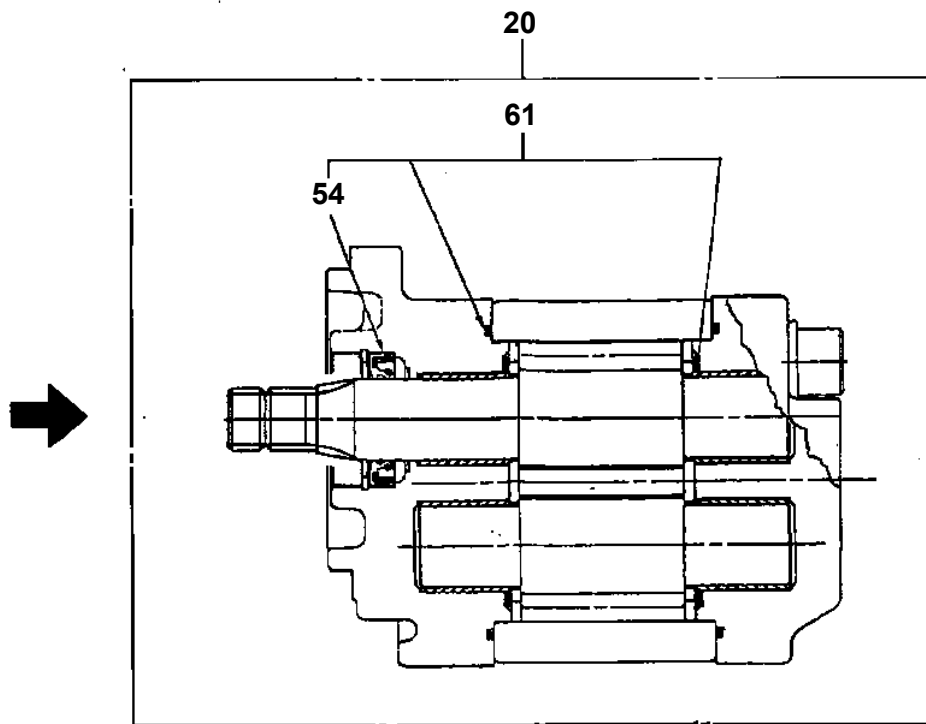
- Please note: If there is no response to CLICKING the link, please download this PDF first and then click on it.

CLICK HERE TO **DOWNLOAD** THE COMPLETE MANUAL

HT-300-1-30105 UPPER,LOWER,HINO PB-XZU404M-TKFRW3

Pos No.	Parts No	Parts Name	Qty	Unit	Technical Data	Serial No (Start)	Serial No (End)	Rem
1	(*****)	NAME PLATE ASSY (INSIDE CAB)	1					

HT-300-1-30105 UPPER,LOWER,HINO PB-XZU404M-TKFRW3
PB1100190-03 PUMP,HYDRAULIC



HT-300-1-30105 UPPER,LOWER,HINO PB-XZU404M-TKFRW3

Pos No.	Parts No	Parts Name	Qty	Unit	Technical Data	Serial No (Start)	Serial No (End)	Remarks	Pages
100	42230630000	BOX ASSY (TOOL)	1						

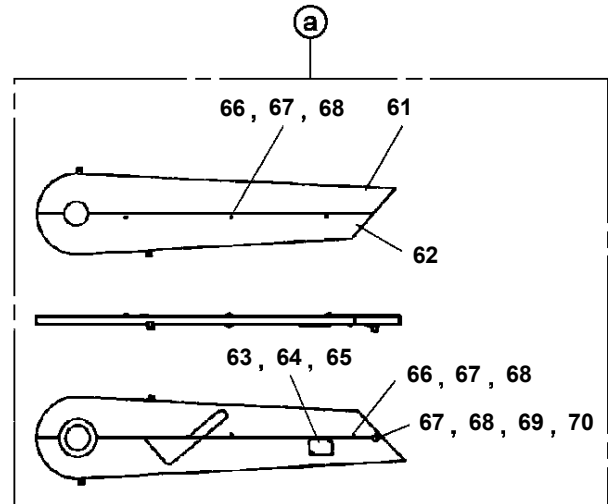
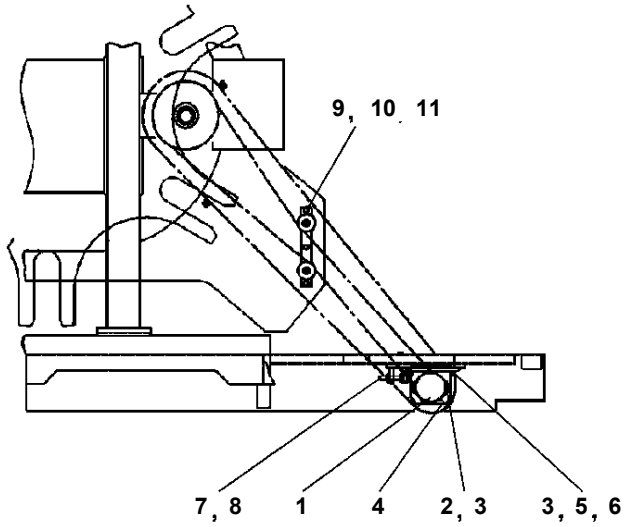
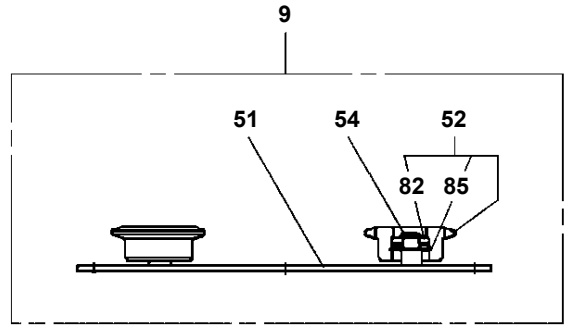
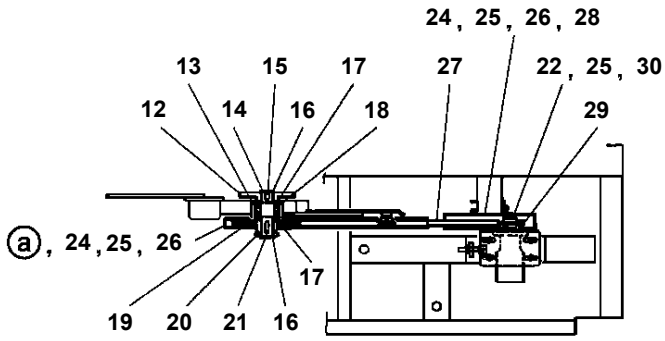
HT-300-1-30105 UPPER,LOWER,HINO PB-XZU404M-TKFRW3

Pos No.	Parts No	Parts Name	Qty	Unit	Technical Data	Serial No (Start)	Serial No (End)	Remarks
1	42300310100	ARM	1					
2	42300230200	SPACER	1					
3	42300240600	RETAINER	1					
4	80516006016	BEARING,BALL	3					
5	90101512025	BOLT	8		M12X25			
6	90302041201	WASHER,SPRING	12		12			
7	42300230300	PLATE	1					
8	42300310900	ARM	1					
9	42300310500	SHAFT	1				055243	
	42300310501	SHAFT	1			055244		
10	42300240700	SPACER	1					
11	42300230600	SPACER	1					
12	90131516045	BOLT,HEXAGON SOCKET	5		M16X45			
13	90302041601	WASHER,SPRING	5		16			
14	42300221000	WORM ASSY	1				055230	
	42300221001	WORM ASSY	1			055231	055243	
	42300221002	WORM ASSY	1			055244		
15	42300240800	RETAINER	1					
16	90131512025	BOLT,HEXAGON SOCKET	4		M12X25			
17	14123000400	BREATHER	1		PT1/8			
18	42300240950	STOPPER	2					
19	42300230700	SHIM	10					
20	42300230800	SHIM	10					

HT-300-1-30105 UPPER,LOWER,HINO PB-XZU404M-TKFRW3

Pos No.	Parts No	Parts Name	Qty	Unit	Technical Data	Serial No (Start)	Serial No (End)	Rem
1	42310491100	GUIDE	1					
2	37000146190	PIN	1					
3	90101208010	BOLT	3		M8X10			
4	90302040801	WASHER,SPRING	8		8			
5	42310191250	PIN	2					
6	42310491200	ROLLER	1					
7	42310191280	ROLLER	2					
8	42310191290	PIN	1					
9	90303071201	WASHER,PLAIN	2		12			
10	42310499510	PIN ASSY	1					
11	80136340028	PIN,SPLIT	4		4X28			
12	42310191330	SPACER	1					
13	42430372180	SPRING	1					
14	42310191340	STOPPER	1					
15	90101508028	BOLT	1		M8X28			
16	42310291300	ROLLER	1					
18	90303070801	WASHER,PLAIN	3		8			
19	80720103012	PIN,SPRING	1		3X12			
20	82456101000	NIPPLE,GREASE	1		A-PT1/8			
21	42310291400	COVER	1					
22	80516006005	BEARING,BALL	1					
23	80601110250	RING,RITAINING	1		S25			
24	90101208014	BOLT	4		M8X14			
25	42310291500	PIN	1					
26	80601110150	RING,RITAINING	4		15			
27	90303071401	WASHER,PLAIN	2		14			
28	42310291600	ROLLER	2					
29	37000134180	PIN	2					
50	42310491000	CABLE TRAVERSER (ROLLER)	1					

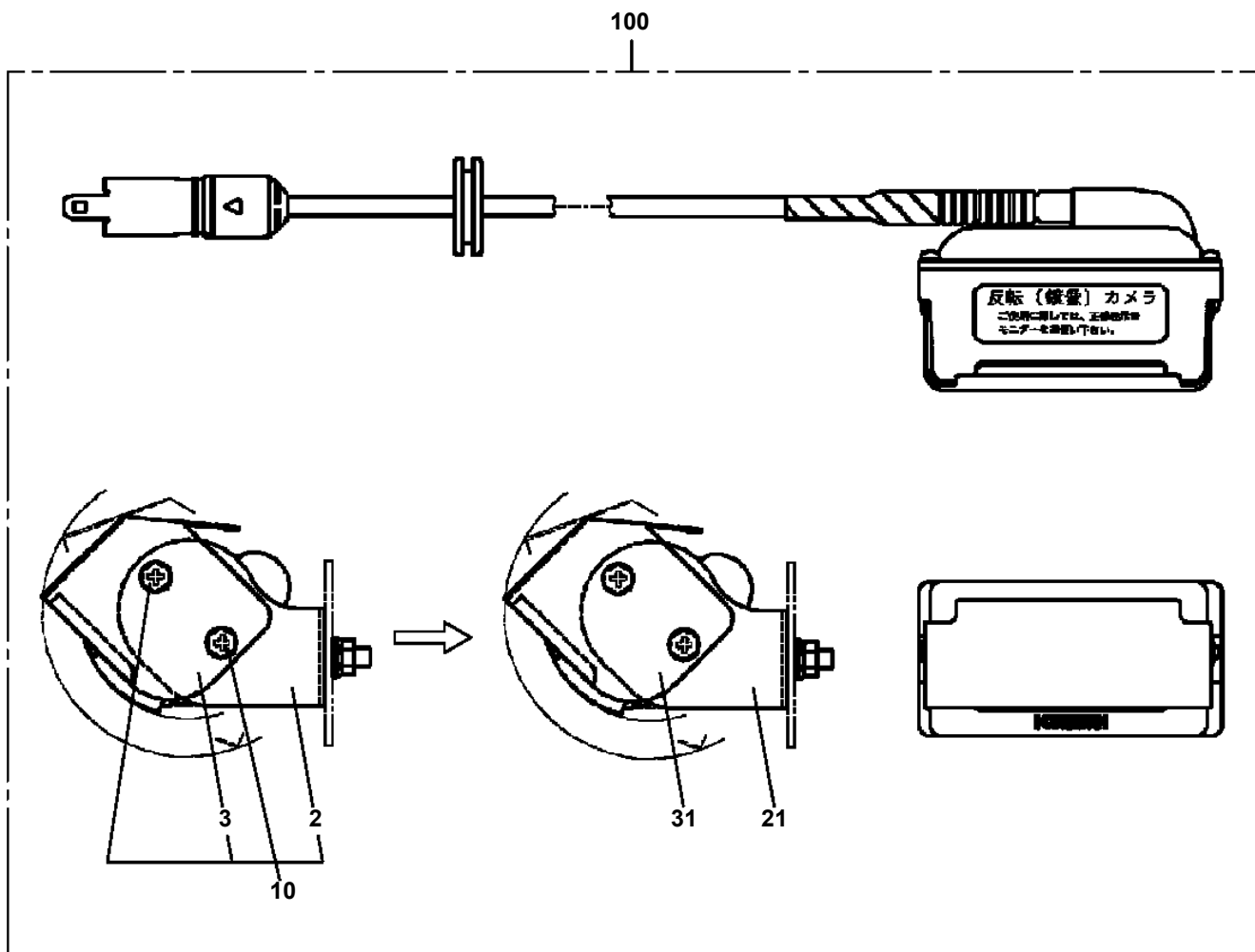
**HT-300-1-30105 UPPER,LOWER,HINO PB-XZU404M-TKFRW3
PF2100005-01 DRUM DRIVE DEVICE**



HT-300-1-30105 UPPER,LOWER,HINO PB-XZU404M-TKFRW3
PH1700385-00 VIEW SYSTEM (BACK MONITOR/ICHIKO)

指示番号 KEY NO.	ビユー システム (バックモニタ/イチコウ) VIEW SYSTEM (BACK MONITOR/ICHIKO)
1	ビユー システム (モニタ) VIEW SYSTEM (MONITOR)
2	ビユー システム (カメラ) VIEW SYSTEM (CAMERA)

HT-300-1-30105 UPPER,LOWER,HINO PB-XZU404M-TKFRW3
PH1750017-02 CAMERA



HT-300-1-30105 UPPER,LOWER,HINO PB-XZU404M-TKFRW3

Pos No.	Parts No	Parts Name	Qty	Unit	Technical Data	Serial No (Start)	Serial No (End)	Remarks	Pages
100	42434710300	HARNESS	1						

CLICK HERE TO **DOWNLOAD** THE COMPLETE MANUAL

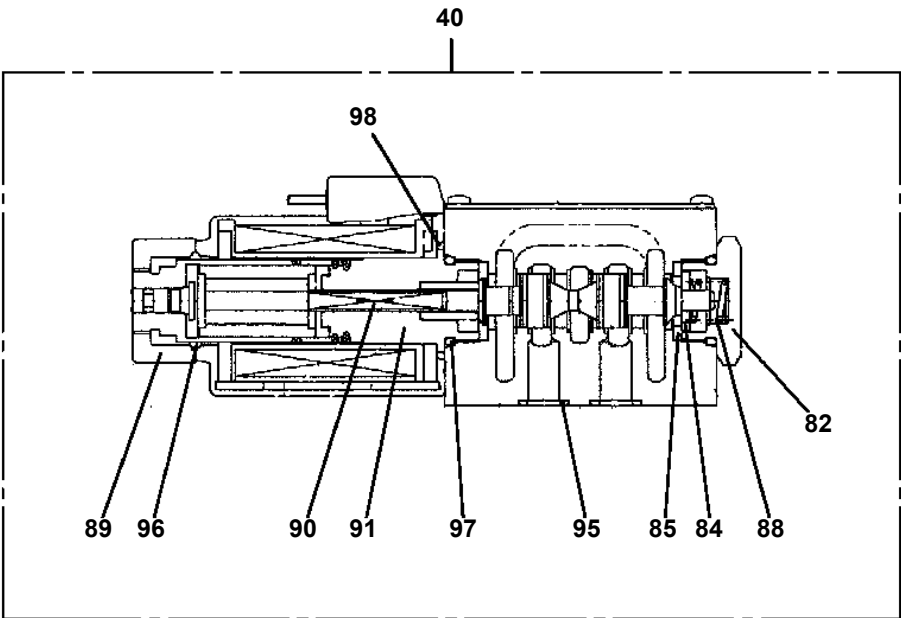
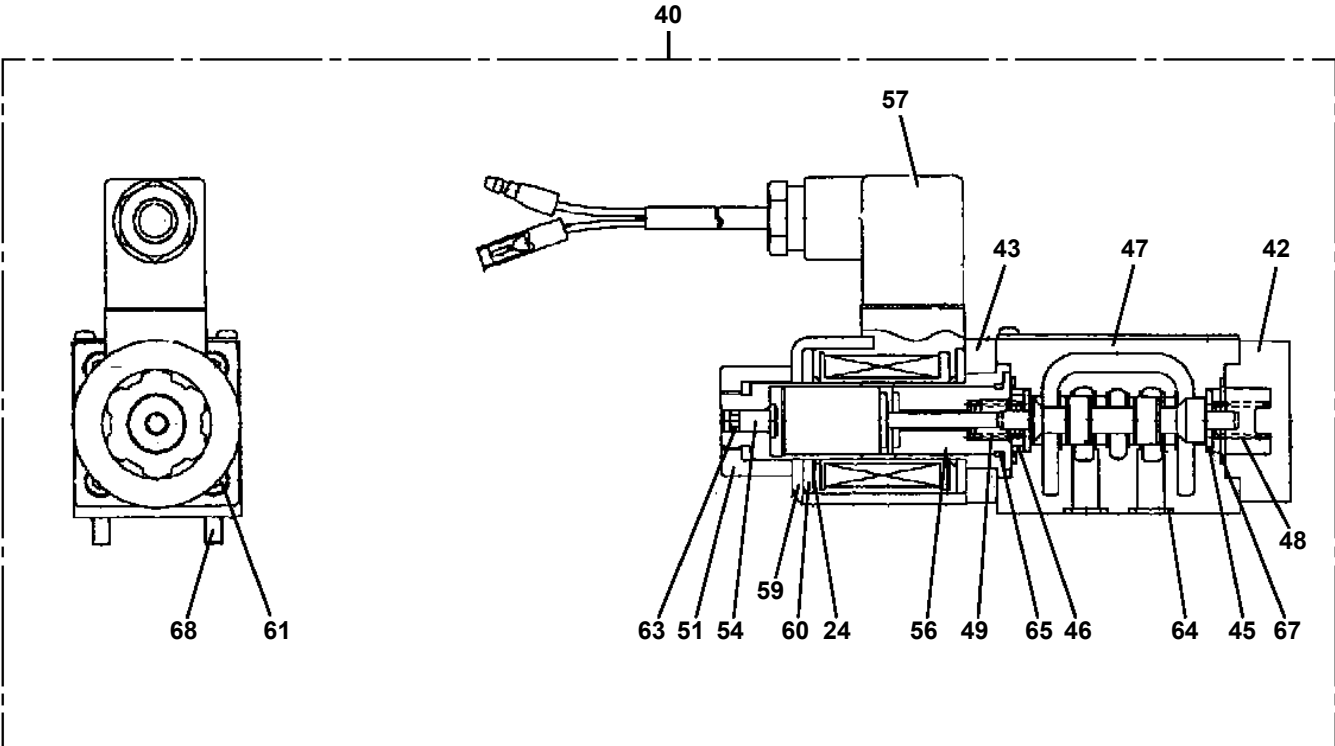
- Thank you very much for reading the preview of the manual.
- You can download the complete manual from: www.heydownloads.com by clicking the link below



- Please note: If there is no response to CLICKING the link, please download this PDF first and then click on it.

CLICK HERE TO **DOWNLOAD** THE COMPLETE MANUAL

HT-300-1-30105 UPPER,LOWER,HINO PB-XZU404M-TKFRW3
PI1120014-01 VALVE,SOLENOID



HT-300-1-30105 UPPER,LOWER,HINO PB-XZU404M-TKFRW3

Pos No.	Parts No	Parts Name	Qty	Unit	Technical Data	Serial No (Start)	Serial No (End)	Remarks	Pages
1	16515122010	O-RING	1						
2	16515122020	SPRING	1						
4	80602110140	RING,RITAINING	1		R14				
5	16515122000	VALVE,CHECK	1						

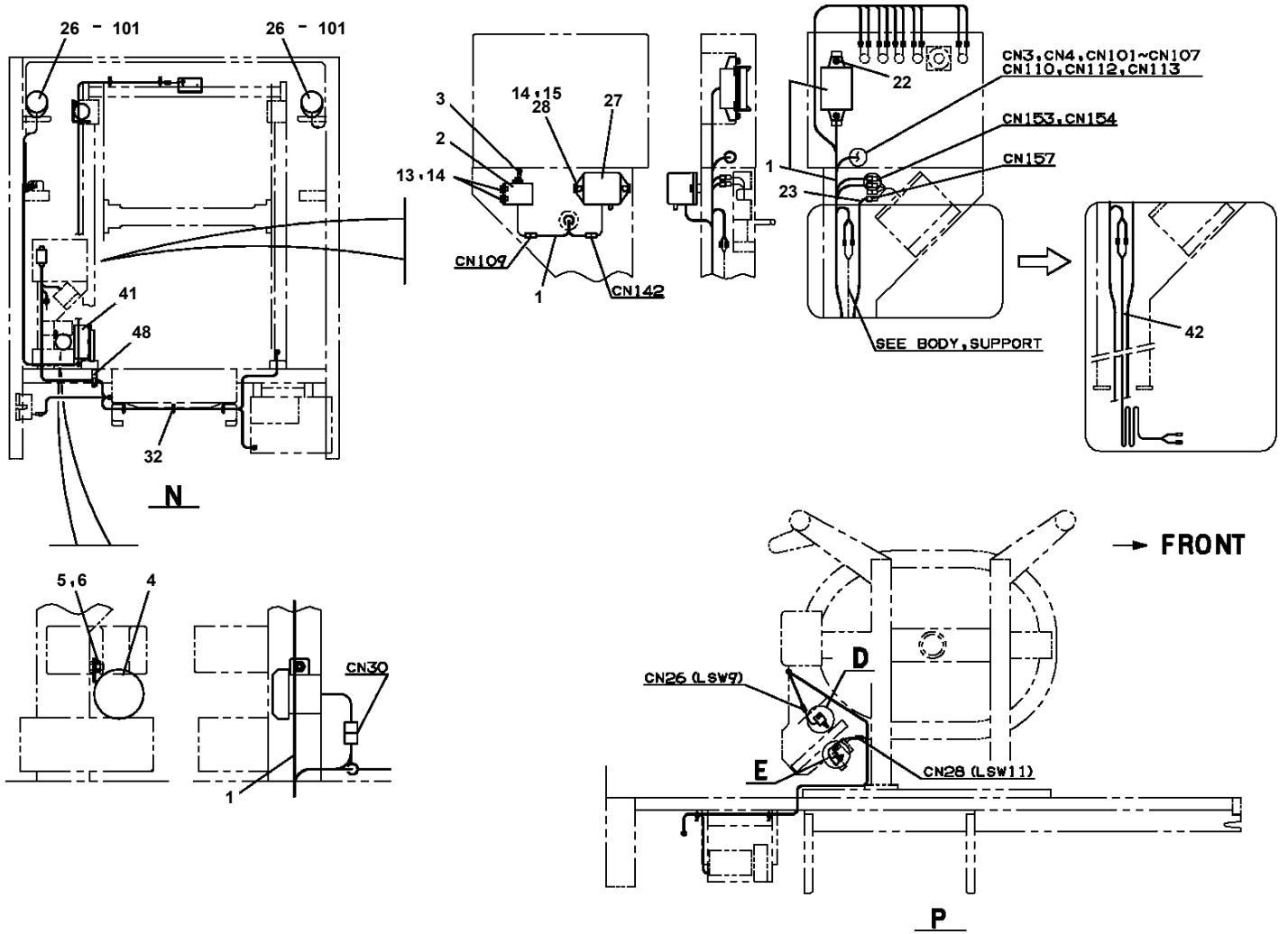
HT-300-1-30105 UPPER,LOWER,HINO PB-XZU404M-TKFRW3

Pos No.	Parts No	Parts Name	Qty	Unit	Technical Data	Serial No (Start)	Serial No (End)	Remarks	Pages
1	42786320100	PLATE	4						
2	90171310020	BOLT	16		M10X20				
3	90302041001	WASHER,SPRING	16		10				
4	90101208020	BOLT	2		M8X20				
5	90302040801	WASHER,SPRING	2		8				
6	90201200800	NUT	2		M8				
7	82100001412	TUBE,SPIRAL	1	M	SE-12BK				

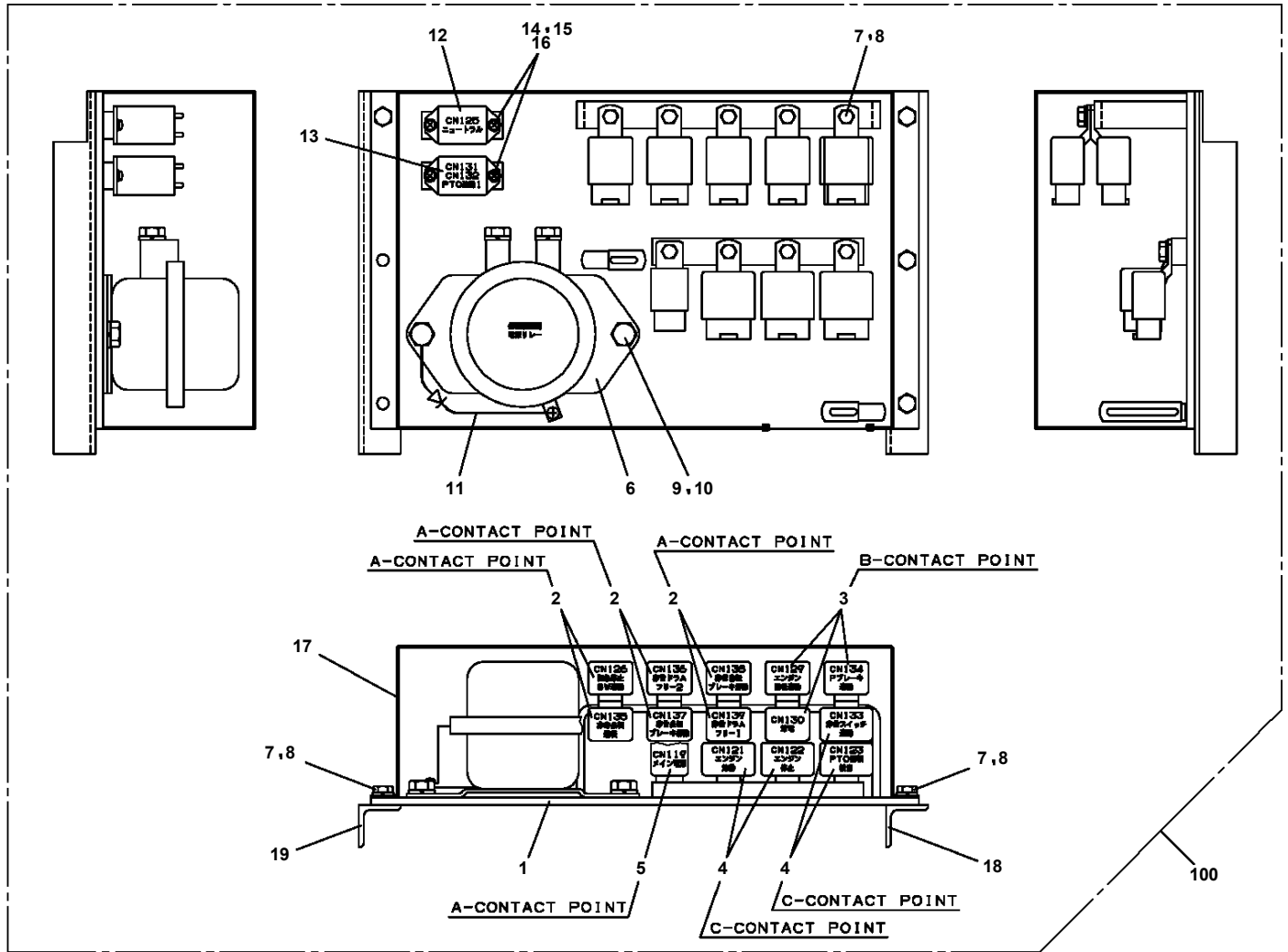
HT-300-1-30105 UPPER,LOWER,HINO PB-XZU404M-TKFRW3

Pos No.	Parts No	Parts Name	Qty	Unit	Technical Data	Serial No (Start)	Serial No
1	37002201980	PLATE,NAME	3				055213
	37002201980	PLATE,NAME	5			055214	
2	42940430040	PLATE,NAME	1				055213
3	37002209670	PLATE,NAME (TADANO)	2				
4	42391950010	PLATE,NAME (HT-300)	2				
5	12117140000	PLATE,NAME (GREASE)	5				
6	42397360050	PLATE,NAME (DRUM CONTROL PANEL)	1				
7	80147310420	RIVET	4		3.2X6		
9	42470480020	PLATE,NAME	1				055210
10	42393380010	PLATE,CAUTION	1				
11	37002202260	PLATE,NAME	1				
12	42390790020	PLATE,NAME	1				
13	42943630070	PLATE,NAME	1				
14	42390980100	PLATE,NAME	1				
15	42390980080	PLATE,NAME	1				
16	42390790060	PLATE,NAME	1				
17	42390980110	PLATE,NAME	2				
18	42390980130	PLATE,NAME	1				
19	42390980120	PLATE,NAME	1				
20	42393000030	PLATE,CAUTION	1				
21	42390980190	PLATE,NAME	1				
22	42390980180	PLATE,NAME	1				
23	42390980170	PLATE,NAME	1				
24	42393000070	PLATE,CAUTION	1				
25	42393080010	PLATE,CAUTION	1				
26	42393000090	PLATE,CAUTION (WARNING POWER GATE)	2				
27	42393080020	PLATE,CAUTION	2				
28	42393080030	PLATE,CAUTION	2				
29	42391230070	PLATE,CAUTION	2				
31	42397650010	PLATE,NAME	1				
32	42397360020	PLATE,NAME	1				
33	42700260300	PLATE,NAME	1				
34	42700260400	PLATE,NAME	1				
35	42330480400	PLATE,NAME	1				
37	42330480600	PLATE,NAME	1				
38	42392330210	PLATE,NAME	1				
41	42393000190	PLATE,CAUTION	1				
42	42397360030	PLATE,NAME (FUSE)	1				
43	37002226550	PLATE,NAME	1				
44	37002216230	PLATE,NAME (HIGH/LOW)	1				
49	37002227800	PLATE,CAUTION	1			055211	

**HT-300-1-30105 UPPER,LOWER,HINO PB-XZU404M-TKFRW3
PP5100098-00 PARTS ASSY,ELECTRICITY**

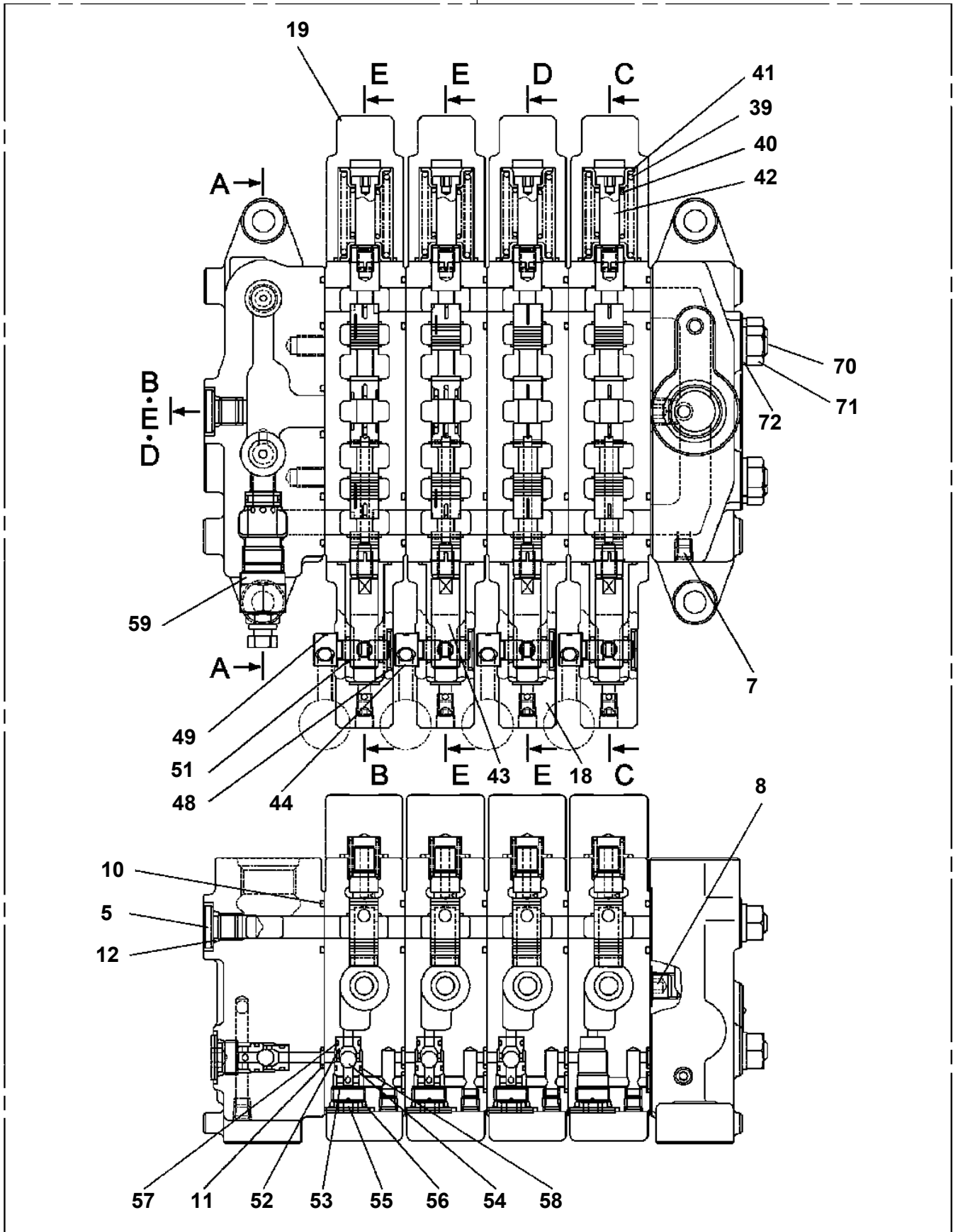


**HT-300-1-30105 UPPER,LOWER,HINO PB-XZU404M-TKFRW3
PR5100052-00 RELAY BOX ASSY**



HT-300-1-30105 UPPER,LOWER,HINO PB-XZU404M-TKFRW3
PV5060020-00 VALVE ASSY,CONTROL

100



HT-300-1-30105 UPPER,LOWER,HINO PB-XZU404M-TKFRW3

Pos No.	Parts No	Parts Name	Qty	Unit	Technical Data	Serial No (Start)	Serial No (End)
1	42460012550	WEDGE (STOPPER FOR TIRE/JUSTIN)	1				

HT-300-1-30105 UPPER,LOWER,HINO PB-XZU404M-TKFRW3

Pos No.	Parts No	Parts Name	Qty	Unit	Technical Data	Serial No (Start)	Serial No (End)
1	42460012540	WEDGE (STOPPER FOR TIRE/NAKAMURA KIKI)	1				

HT-300-1-30105 UPPER,LOWER,HINO PB-XZU404M-TKFRW3

Pos No.	Parts No	Parts Name	Qty	Unit	Technical Data	Serial No (Start)	Serial No (End)	Remarks	Pages
1	31790650100	COUPLING	1						
2	80720104040	PIN,SPRING	1		4X40				
50	31790650000	COUPLING	1						

CLICK HERE TO **DOWNLOAD** THE COMPLETE MANUAL

- Thank you very much for reading the preview of the manual.
- You can download the complete manual from: www.heydownloads.com by clicking the link below



- Please note: If there is no response to CLICKING the link, please download this PDF first and then click on it.

CLICK HERE TO **DOWNLOAD** THE COMPLETE MANUAL