



HYDRAULIC CRANE PARTS CATALOG

MODEL TS-70M-3

**INFORMATION No. TS-70M-3/P-02
SERIAL No. 239049 ~**

**Used Crane Specialist
Sales, Service & Parts
Manufacture Support**

CLICK HERE TO **DOWNLOAD** THE COMPLETE MANUAL

- Thank you very much for reading the preview of the manual.
- You can download the complete manual from: www.heydownloads.com by clicking the link below



- Please note: If there is no response to CLICKING the link, please download this PDF first and then click on it.

CLICK HERE TO **DOWNLOAD** THE COMPLETE MANUAL

上 部

UPPER STRUCTURE

システム
SYSTEM

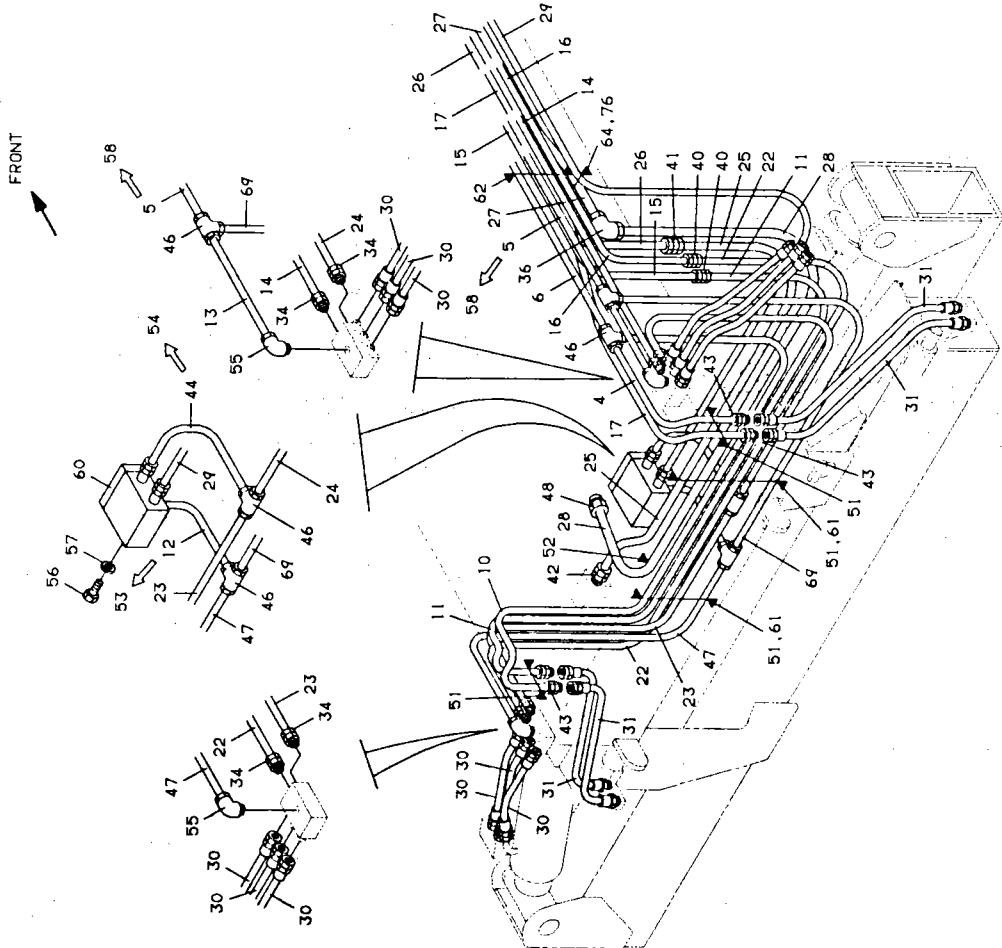
上 部

UPPER STRUCTURE

アッセンブリ(組立)
ASSEMBLY

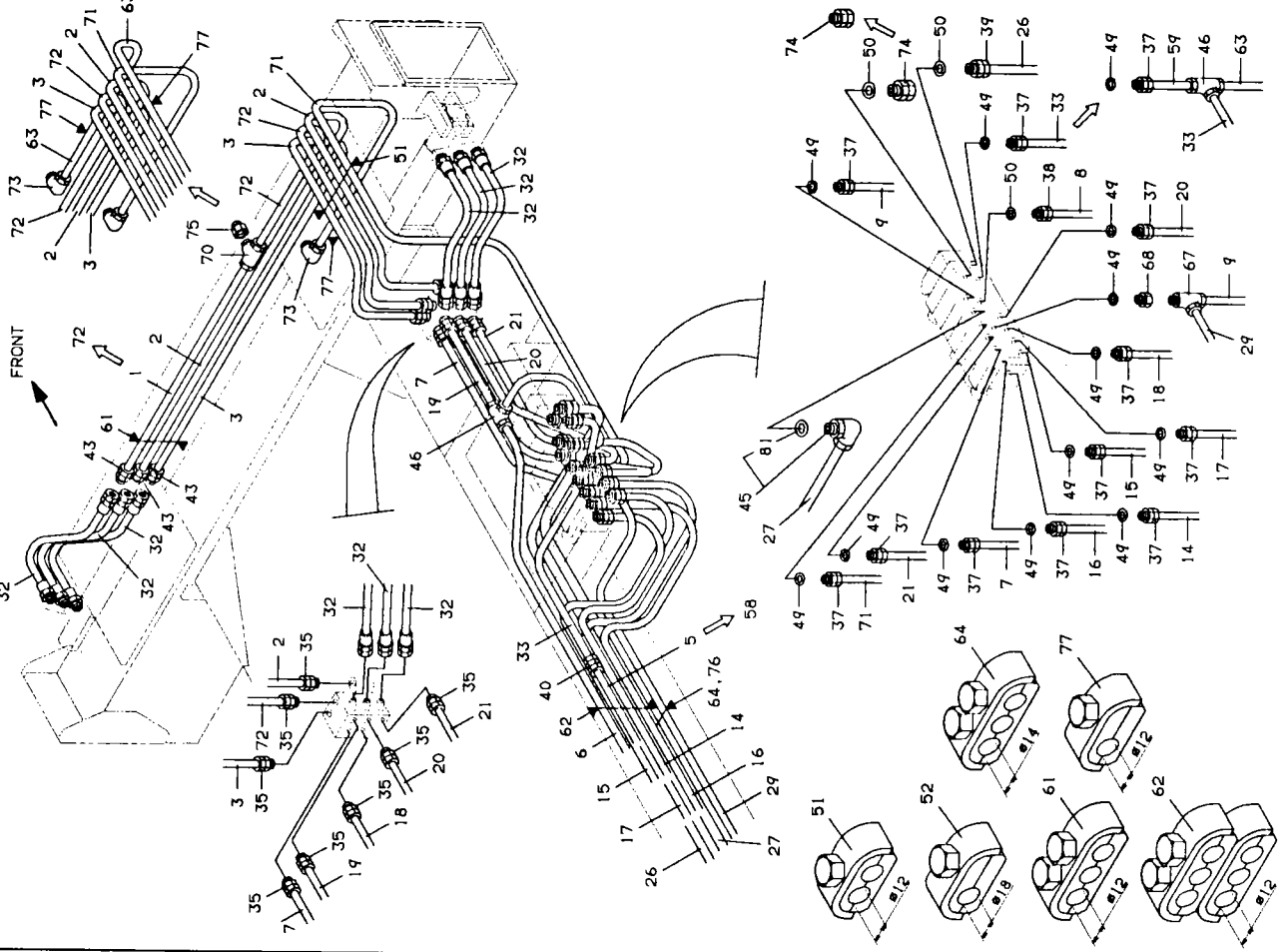
組立名称 ハイレック・トリガ
Assembly Name PIPNG,OUTRIGGER

PC120-0106-01

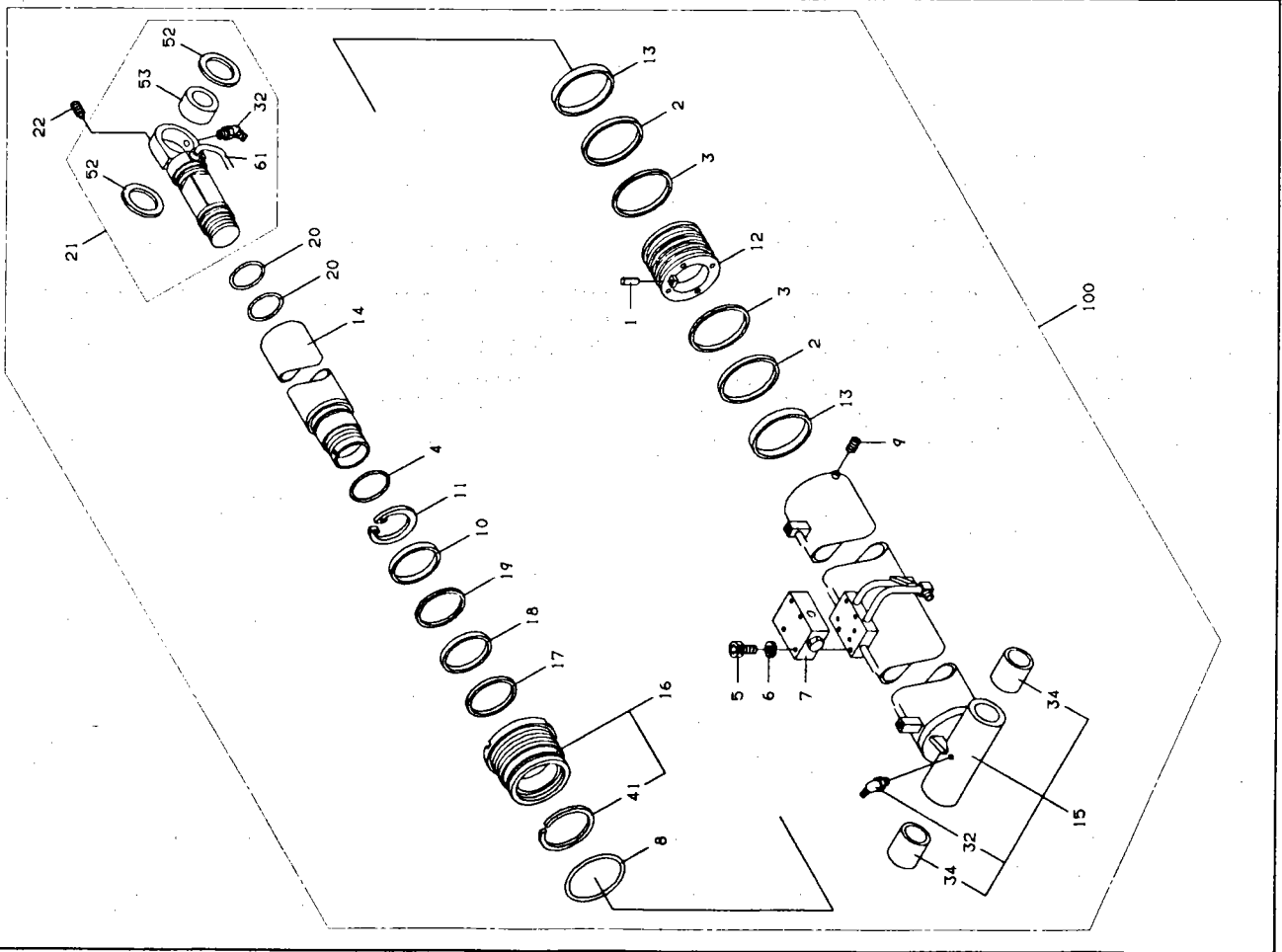


組立名称 ハイレック・トリガ
Assembly Name PIPNG,OUTRIGGER

PC120-0106-01

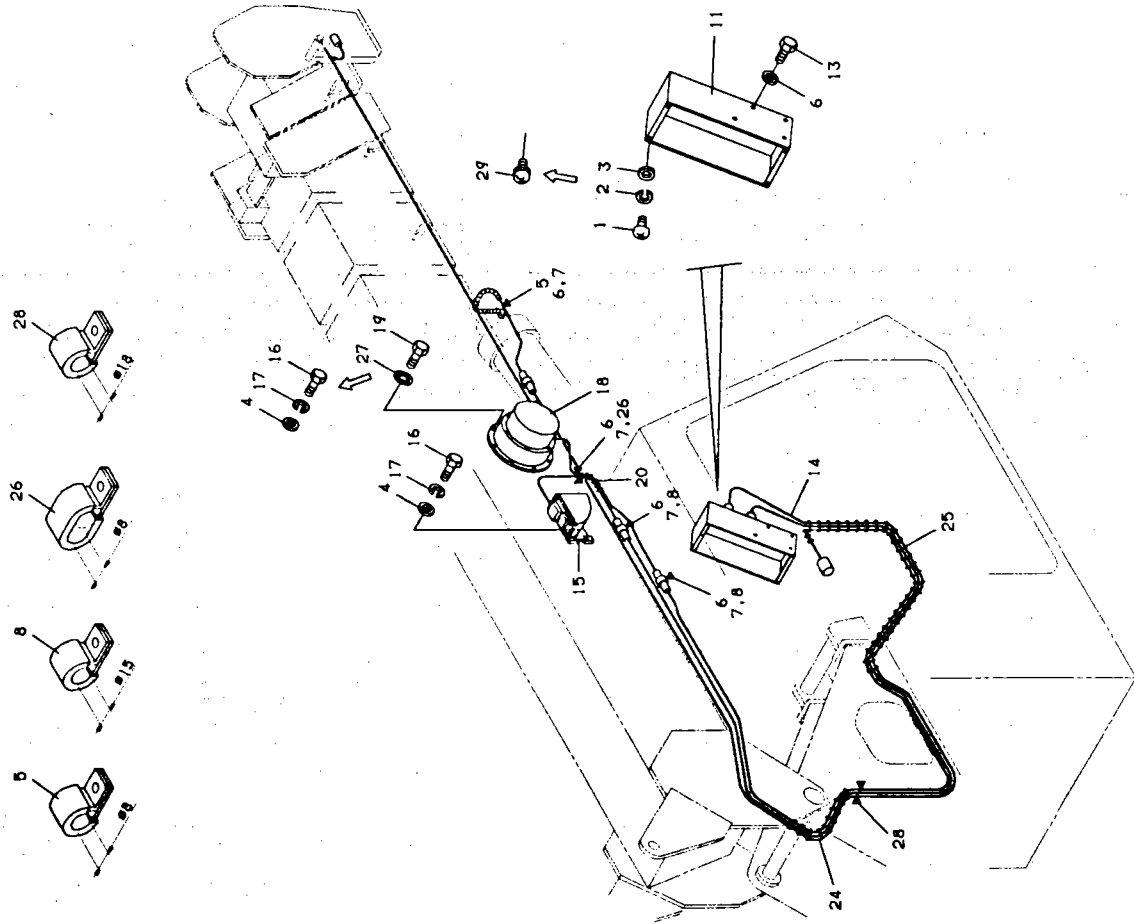


組立名 称 シリンダ、エレベ、イテイング*
 Assembly Name CYLINDER,ELEVATING
 PE101-0106-01



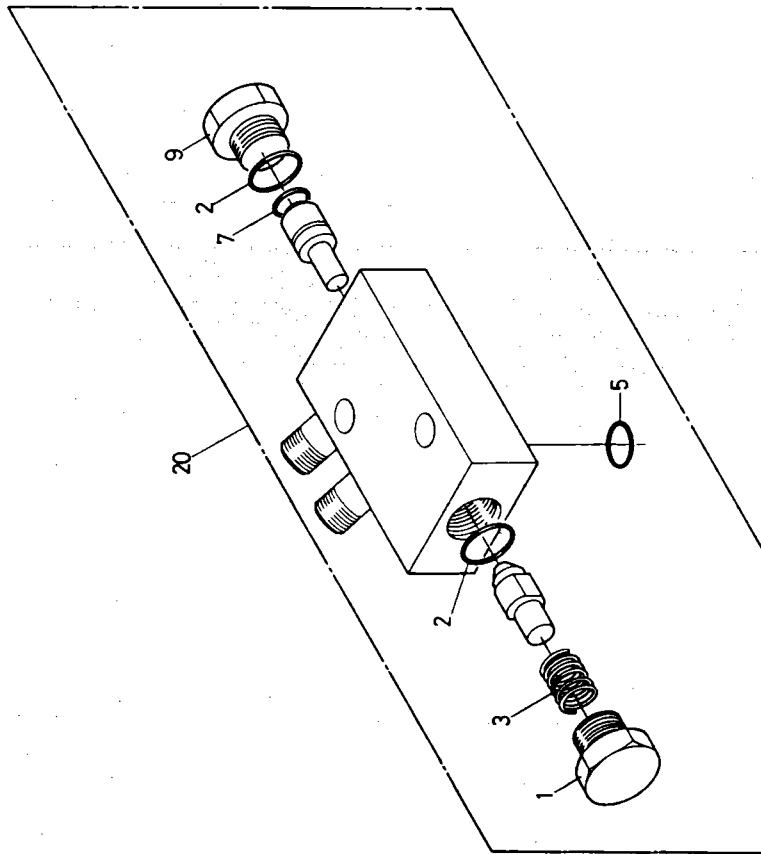
組立名 称 シリンダ、エレベ、イテイング*
 Assembly Name CYLINDER,ELEVATING
 FIG. PE101-0106-01
 スペック番号 A < 15-70M-3-0001 > B < 15-70M-3-00004 > C < TS-70H-3-00005 >
 Specification No.

指示番号 Key No.	部品番号 Part No.	部品名 Part Name	Qty Per Section													実務号順 Serial No. (変更番号 Modifi. No.)	ページ Page		
			A	B	C	D	E	F	G	H	I	J	K	L	M			N	O
1	807-201-05040	PIN,SPRING SX40	1	1															
2	916-840-14500	PACKING	2	2															
3	914-112-13001	RING,BACKUP	2	2															
4	910-028-08500	O-RING 1B P85	1	1															
5	901-315-08070	BOLT,HEXAGON SOCKET HX70	4	4															
6	903-020-40801	WASHER,SPRING 8	4	4															
7	366-016-60000	VALVE,COUNTERBALANCE	1	1															232
8	910-028-13500	O-RING 1B P135	1	1															
9	907-500-06121	SCREW,SET M6X12	-	1														(- 239 386 - 2054931)
9	907-500-06061	SCREW,SET	-	1															
9	907-500-06061	SCREW,SET	-	1															239387 - (2054931 -)
10	916-600-11000	SEAL,DUST	1	1															
11	806-220-01100	RING,RETAINING SP110	1	1															
12	360-201-80020	PISTON	1	1															
13	913-012-14500	BEARING,PLAIN	2	2															
14	360-227-70010	ROD	1	1															
15	360-227-70020	CYLINDER ASSY	1	1															
16	360-201-80040	COVER ASSY,ROD	1	1															
17	912-511-01100	RING,DAMPER	1	1															
18	916-941-11000	PACKING	1	1															
19	914-102-11002	RING,BACKUP	1	1															
20	910-012-07500	O-RING 1A G75	2	2															
21	360-227-79520	END ASSY,ROD	1	1															
22	907-200-08350	SCREW,SET HX35	1	1															
32	824-581-02000	NIPPLE,GREASE H-PT1178	2	2															
34	370-004-00950	BEARING,PLAIN	2	2															
41	806-121-11250	RING,RETAINING AR-123	1	1															
52	360-205-42020	RETAINER	2	2															
53	805-300-00112	BEARING,SPHERICAL SO-50A	1	1															
61	821-000-01802	TUBE	1	1															
100	360-227-79510	CYLINDER,ELEVATING	1	1															



消番 Key No.	部品番号 Part No.	部品名称 Part Name	Qty Per Section													実番 Serial No. (原番 Modifi. No.)	ページ Page	
			A	B	C	D	E	F	G	H	I	J	K	L	M			N
1	801-824-05016	SCREW,MACHINE M5X16	4	4													(239553 - 2055149)	
2	903-023-50501	WASHER,SPRING	4	4													(239553 - 2055149)	
3	903-033-60501	WASHER,PLAIN 5	4	4													(239553 - 2055149)	
4	903-030-70801	WASHER,PLAIN 8	4	4													(239495 - 2056795)	
4	903-030-70801	WASHER,PLAIN 8	8	8													(239496 - 2056795)	
4	903-030-70801	WASHER,PLAIN 8	8	8													(239496 - 2056795)	
5	821-000-02004	CLAMP WRE	1	1	1												(239633 - 2055853)	
6	903-020-40601	WASHER,SPRING M6	9	9													(239633 - 2055853)	
6	903-020-40601	WASHER,SPRING M6	5	5													(239634 - 2055853)	
6	903-020-40601	WASHER,SPRING M6	5	5													(239634 - 2055853)	
7	902-012-00600	NOT M6	5	5	5												(239496 - 2056795)	
8	821-000-02010	CLAMP	3	3	3												(239633 - 2055853)	
11	323-600-80010	CASE	1	1	1												(239633 - 2055853)	
13	901-012-06010	BOLT M6X10	4	4	4												(239633 - 2055853)	
14	323-600-80020	HARNES	1	1	1												(239496 - 2056795)	
15	361-400-70000	DETECTOR ASSY,ANGL	1	1	1												(239495 - 2056795)	
16	901-012-08016	BOLT M8X16	4	4	4												(239496 - 2056795)	
16	901-012-08016	BOLT M8X16	8	8	8												(239496 - 2056795)	
16	901-012-08016	BOLT M8X16	8	8	8												(239496 - 2056795)	
17	903-020-40801	WASHER,SPRING 8	4	4	4												(239495 - 2056795)	
17	903-020-40801	WASHER,SPRING 8	8	8	8												(239495 - 2056795)	
17	903-020-40801	WASHER,SPRING 8	8	8	8												(239495 - 2056795)	
18	361-505-90000	DETECTOR,BOOH LENGTH	1	1	1												(239495 - 2056795)	186
18	361-308-10000	DETECTOR,J10 LENGTH	1	1	1												(239495 - 2056795)	188
18	361-308-10000	DETECTOR,J10 LENGTH	1	1	1												(239495 - 2056795)	188
19	901-012-06012	BOLT M6X12	4	4	4												(239495 - 2056795)	
20	821-000-01802	TUBE	1	1	1												(239495 - 2056795)	
24	821-000-01802	TUBE	1	1	1												(239633 - 2055853)	
25	821-000-01802	TUBE	1	1	1												(239633 - 2055853)	
26	821-000-02035	CLAMP	1	1	1												(239495 - 2056795)	
27	903-041-10601	WASHER,TCTH 6	4	4	4												(239495 - 2056795)	
28	821-000-02012	CLAMP WR18	1	1	1												(239495 - 2056795)	
29	801-924-85014	SCREW,MACHINE M5X14	4	4	4												(239554 - 2055149)	
29	801-924-85014	SCREW,MACHINE M5X14	4	4	4												(239554 - 2055149)	

組立名称
 Assembly Name
 バルブ、パイロットチェック (リヤ)
 VALVE, PILOT CHECK (REAR)
 P1128-0008-01



組立名称
 Assembly Name
 バルブ、パイロットチェック
 VALVE, PILOT CHECK
 FIG. P1128-0008-01

仕様書番号
 Specification No.
 A < T5-70H-3-00001 > B < T5-70H-3-00004 > C < T5-70H-3-00005 >

指示番号 Key No.	部品番号 Part No.	部品名称 Part Name	Qty Per Section													実装号 Serial No. (変更番号 Modif. No.)	ページ Page		
			A	B	C	D	E	F	G	H	I	J	K	L	M			N	O
1	366-202-30060	PLUG	1	1															
2	910-028-01400	O-RING 1B P14	2	2	2														
3	125-151-86000	SPRING	1	1	1														
5	910-028-01000	O-RING 1B P10	1	1	1														
7	910-028-00700	O-RING 1B P7	1	1	1														
9	366-200-30050	PLUG	1	1	1														
20	366-217-30000	VALVE, PILOT CHECK (REAR)	1	1	1														

CLICK HERE TO **DOWNLOAD** THE COMPLETE MANUAL

- Thank you very much for reading the preview of the manual.
- You can download the complete manual from: www.heydownloads.com by clicking the link below



- Please note: If there is no response to CLICKING the link, please download this PDF first and then click on it.

CLICK HERE TO **DOWNLOAD** THE COMPLETE MANUAL

MEMO

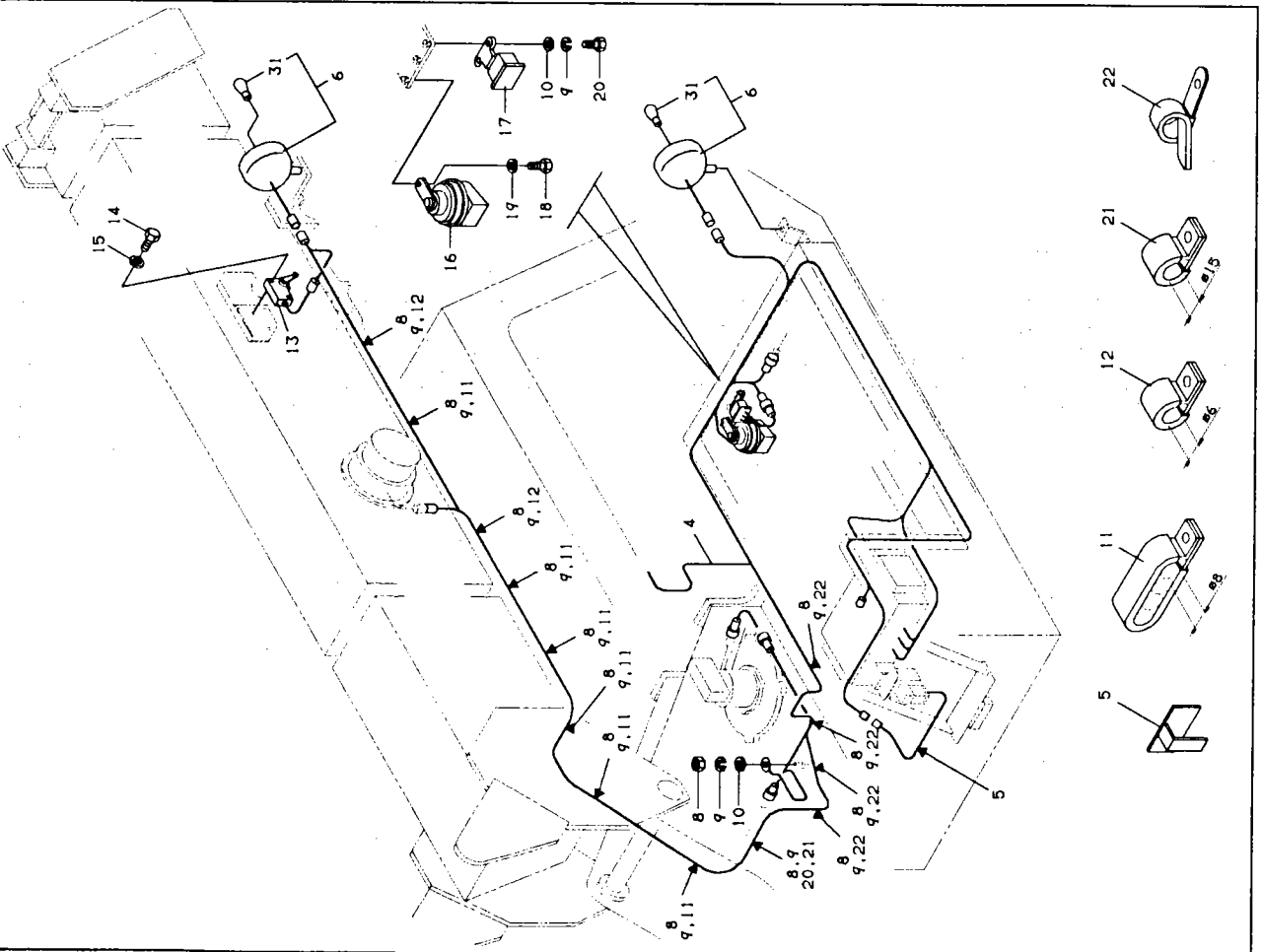
組立名称 Assembly Name		部品番号 Part No.		部品名称 Part Name		QTY Per Section													家番号 Serial No. (変更番号 Modif. No.)		ページ Page		
仕様書 Specifiation		部品番号 Part No.		部品名称 Part Name		A	B	C	D	E	F	G	H	I	J	K	L	M	N	O	家番号 Serial No. (変更番号 Modif. No.)		ページ Page
29	322-602-27600		SASH GLASS ASSY			1	1	1													365998 - (2067154 -)		
30	322-602-28050		U RUBBER (SASH GLASS)			1	1	1													365997 - (2067154 -)		
30	322-602-28050		U RUBBER (SASH GLASS)			1	1	1													365998 - (2067154 -)		
31	322-602-27710		GLASS, DOOR			1	1	1													365997 - (2067154 -)		
31	322-602-27710		GLASS, DOOR			1	1	1													365998 - (2067154 -)		
32	322-602-27950		H RUBBER (DOOR GLASS)			1	1	1													365997 - (2067154 -)		
32	322-602-27960		H RUBBER (DOOR GLASS)			1	1	1													365998 - (2067154 -)		
33	322-602-28000		MALL (DOOR GLASS)			1	1	1													365997 - (2067154 -)		
33	322-602-28000		MALL (DOOR GLASS)			1	1	1													365998 - (2067154 -)		
34	322-602-27820		STRIKER ASSY			1	1	1															
35	322-602-28040		COVER ASSY (LOWER RAIL)			1	1	1															
36	322-602-27840		GLIP ASSY, FRONT			1	1	1															
37	322-602-27850		COVER ASSY, REAR			1	1	1															
38	322-602-27860		TRIM (DOOR)			1	1	1															
39	322-602-27870		TRIM (ROOF)			1	1	1															
40	322-602-27620		LAMP, ROOM			1	1	1															
41	821-000-00786		BULB 24V 10W			1	1	1													365997 - (2067154 -)		
42	322-602-27900		COVER ASSY			1	1	1													365998 - (2067154 -)		
42	322-602-27901		COVER ASSY			1	1	1													365998 - (2067154 -)		
43	322-602-27890		PLATE			6	6	6															
51	322-602-27670		GLASS, FRONT			1	1	1													365997 - (2067154 -)		
51	322-602-27670		GLASS, FRONT			1	1	1													365998 - (2067154 -)		
52	322-602-27680		GLASS, REAR			1	1	1													365997 - (2067154 -)		
52	322-602-27680		GLASS, REAR			1	1	1													365998 - (2067154 -)		
61	322-602-27750		GLASS, FRONT			1	1	1													365997 - (2067154 -)		
62	322-602-27740		GLASS, REAR			1	1	1															
100	322-602-20000		CAU, OPERATOR			1	1	1															
100	322-602-90000		CAU, OPERATOR			-	-	-															

組立名称
 Assembly Name
 電気用アクセサリー
 ELECTRICAL ACCESSORIES
 FIG. PN101-0765-00

仕様書 No.
 Specification No.
 A < IS-70M-3-00001 > B < IS-70M-3-00004 > C < IS-70M-3-00005 >

指示番号 Key No.	部品番号 Part No.	部品名称 Part Name	Qty Per Section													実施号 Serial No. (変更番号 Modifi. No.)	ページ Page		
			A	B	C	D	E	F	G	H	I	J	K	L	M			N	O
4	324-302-11000	HARNISS	1	1	1													(239725 - 2059242) (239726 - 2059242)	
5	824-000-00024	CLAMP	1	1	1														
6	821-000-01354	LAMP 24V60W	2	2	2														
8	902-012-00600	NUT M6	16	16	16														
8	902-012-00600	NUT M6	13	13	13														
9	903-020-40601	WASHER-SPRING M6	16	16	16													(239725 - 2059242)	
9	903-020-40601	WASHER-SPRING M6	13	13	13													(239726 - 2059242)	
10	903-030-70601	WASHER-PLAIN 6	2	2	2														
11	370-006-03110	CLAMP	6	6	6														
12	821-000-02002	CLAMP HK6	2	2	2														
13	324-301-20030	SWITCH ASSY	1	1	1														
14	901-012-04025	BOLT M4X25	2	2	2														
15	903-020-40401	WASHER-SPRING 4	2	2	2														
16	821-000-00001	HORN	1	1	1														
17	334-317-51050	RELAY ASSY	1	1	1														
18	901-012-08016	BOLT M8X16	1	1	1														
19	903-020-40801	WASHER-SPRING 8	1	1	1														
20	901-012-06016	BOLT M6X16	3	3	3														
21	821-000-02010	CLAMP	1	1	1														
22	821-000-02052	CLAMP	4	4	4													(239725 - 2059242)	
22	821-000-02052	CLAMP	1	1	1													(2059242 -)	
31	821-000-00044	BULB 24V 60W	2	2	2														

組立名称
 Assembly Name
 電気用アクセサリー
 ELECTRICAL ACCESSORIES
 PN101-0765-00



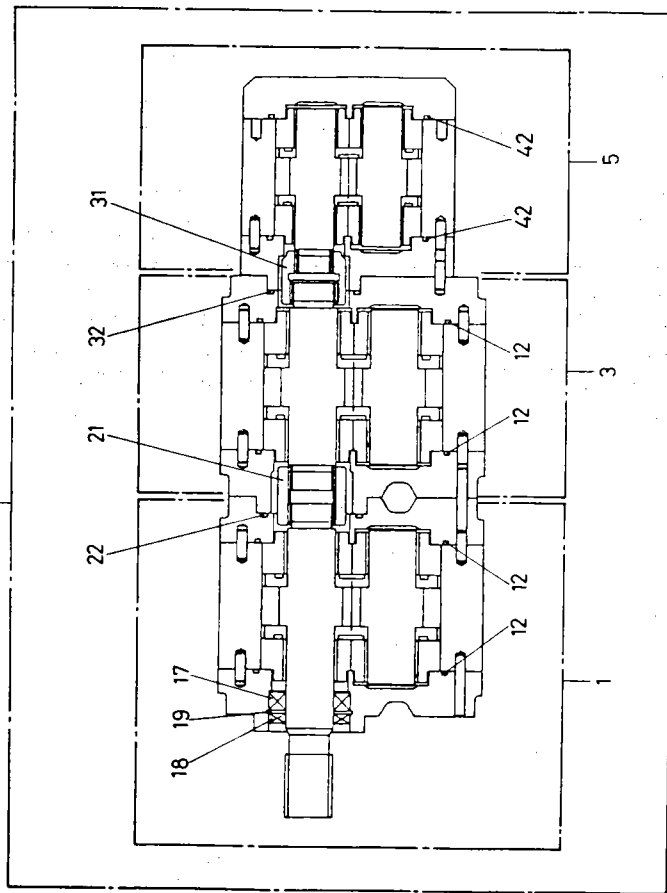
変更番号 Modifi. No.	実務番号 Serial No.	組立名称 Assembly Name	ページ Page	旧部品 Old Parts			新部品 New Parts		
				指示番号 Key No.	部品番号 Part No.	個数 Qty	指示番号 Key No.	部品番号 Part No.	個数 Qty
2055858	239914-	HYDRAULIC PRESSURE GENERATING SYSTEM	6	6 366-423-20000	1	6 366-433-70000	1		
		HYDRAULIC DEVICES	26	5 366-423-20000	1	5 366-433-70000	1		
2055888	239514-	PIPING, HYDRAULIC UPPER	58	6 370-024-13300	1	6 370-024-04010	1		
2056304	239652-	VALVE, MANUAL CONTROL	50	6 366-334-05040	1	6 366-341-55010	1		
		VALVE, MANUAL CONTROL		8 366-334-05050	1	8 366-341-55020	1		
2056434	-239633	PLATE, INDICATION (UPPER)	316	39 324-301-22030	1				
2056625	239733-	VALVE, CHECK	230	14 541-550-02000	1	14 366-201-76400	1		
2056717	239514-	CAB. OPERATOR	274	2 901-800-08030	9	2 370-015-06190	9		
2056719	239634-	SWING TABLE	266	9 901-012-08020	33	9 901-012-08020	5		
		SWING TABLE		14 901-012-08020	33	14 370-015-06190	29		
2056779	239594-	PIPING, HYDRAULIC UPPER	62	37 803-030-30100	5	37 803-030-30100	4		
		PIPING, HYDRAULIC UPPER		38 803-030-40060	1	38 803-030-40060	2		
		PIPING, HYDRAULIC UPPER		37 803-030-30100	5	37 803-030-30100	4		
		PIPING, HYDRAULIC UPPER		38 803-030-40060	1	39 803-050-50080	2		
2056795	239496-	TELESCOPING SYSTEM	20	4 361-305-90000	1	4 361-308-10000	1		
		TELESCOPING SYSTEM		4 903-030-70801	4	4 903-030-70801	8		
		CONNECTION, MOMENT LIMITER SYSTEM	200	16 901-012-08016	4	16 901-012-08016	8		
		CONNECTION, MOMENT LIMITER SYSTEM		17 903-020-40801	4	17 903-020-40801	8		
		CONNECTION, MOMENT LIMITER SYSTEM		18 361-308-90000	1	18 361-308-10000	1		
		CONNECTION, MOMENT LIMITER SYSTEM		19 901-012-06012	4				
		CONNECTION, MOMENT LIMITER SYSTEM		27 903-041-10601	4				
2057234	239496-	SAFETY DEVICES	22	7 361-143-00000	1	7 361-143-00001	1		
2059242	239726-	ELECTRICAL ACCESSORIES	300	8 902-012-00600	16	8 902-012-00600	13		
		ELECTRICAL ACCESSORIES		9 903-020-40601	16	9 903-020-40601	13		
		ELECTRICAL ACCESSORIES		22 821-000-02052	4	22 821-000-02052	1		

変更番号 Modifi. No.	実務番号 Serial No.	組立名称 Assembly Name	ページ Page	旧部品 Old Parts			新部品 New Parts		
				指示番号 Key No.	部品番号 Part No.	個数 Qty	指示番号 Key No.	部品番号 Part No.	個数 Qty
2053144	239331-	PLATE, INDICATION	312	2 323-900-00020	3	2 370-022-09480	2		
		PLATE, INDICATION		44 370-022-09490	1				
2054796	239554-	ELEVATING SYSTEM	14	1 360-227-79510	1	1 360-235-20000	1		
		ELEVATING SYSTEM		2 366-016-60000	1	2 366-016-60001	1		
2054931	239387-	HYDRAULIC DEVICES	26	7 366-016-60000	1	7 366-016-60001	1		
2055149	239554-	CYLINDER, ELEVATING	120	9 907-500-06121	1	9 907-500-06061	1		
		CYLINDER, ELEVATING		1 801-824-05016	4	29 801-924-05014	4		
		CONNECTION, MOMENT LIMITER SYSTEM	200	2 903-023-50501	4				
		CONNECTION, MOMENT LIMITER SYSTEM		3 903-033-60501	4				
2055339	239514-	HEATER SYSTEM	322	12 362-901-30001	1	13 801-723-04006	4		
		HEATER SYSTEM		13 801-723-04006	8	14 903-020-40401	4		
		HEATER SYSTEM		14 903-020-40401	8				
2055345	239514-	WINCH SYSTEM	16	11 366-335-80000	1	11 366-343-30000	1		
2055348	239634-	FRAME	30			5 322-602-20000	1		
2055349	239634-	SWING TABLE	266	3 322-500-90020	1	3 322-501-51000	1		
		SWING TABLE		6 322-500-90050	1	6 322-501-54000	1		
		SWING TABLE		10 903-020-40401	38	10 903-020-40801	39		
		SWING TABLE		11 903-030-70801	36	11 903-030-70801	37		
		SWING TABLE		21 322-500-98010	1	21 322-501-58010	1		
		SWING TABLE		22 322-500-02010	1	22 322-500-02010	1		
		SWING TABLE		23 322-500-02020	1	23 322-500-02020	1		
		SWING TABLE		24 322-500-00080	1	24 322-500-00080	1		
2055569	239554-	CYLINDER, ELEVATING	122	9 907-500-06121	1	9 907-500-06061	1		
2055803	239445-	JIN	180	10 901-022-10060	6	10 901-022-10065	6		
2055804	239514-	PIPING, HYDRAULIC UPPER	62	31 803-020-90101	6	31 803-020-90101	4		
		PIPING, HYDRAULIC UPPER		35 804-001-60102	6	35 804-001-60102	5		
		PIPING, HYDRAULIC UPPER		37 803-030-30100	4	37 803-030-30100	5		
		PIPING, HYDRAULIC UPPER		44 803-150-40040	3	44 803-150-40040	4		
		PIPING, HYDRAULIC UPPER		47 910-028-01100	11	47 910-028-01100	10		
		PIPING, HYDRAULIC UPPER		78 804-001-60108	1	78 804-001-60108	1		
		PIPING, HYDRAULIC UPPER		79 803-031-50101	1	79 803-031-50101	1		
2055853	239634-	CONNECTION, MOMENT LIMITER SYSTEM	200	6 903-020-40601	9	6 903-020-40601	5		
		CONNECTION, MOMENT LIMITER SYSTEM		11 321-600-80010	1				
		CONNECTION, MOMENT LIMITER SYSTEM		13 901-012-06010	4				
		CONNECTION, MOMENT LIMITER SYSTEM		25 821-000-01802	1				

部 品 番 号 Part No.	頁 Page	指示番号 Key No.	部 品 番 号 Part No.	頁 Page	指示番号 Key No.	部 品 番 号 Part No.	頁 Page	指示番号 Key No.
370-019-04020	169	76	370-022-07010	313	12	370-024-13300	59	6
370-019-04210	177	76	370-022-07050	317	12	370-024-13930	108	29
370-019-04230	169	77	370-022-07310	313	24	370-024-21410	77	13
370-020-00650	177	77	370-022-07350	317	24	370-024-27850	67	5
370-020-04200	168	76	370-022-07480	313	16	370-024-28930	59	11
370-020-04210	176	76	370-022-09490	317	16	370-024-29720	63	27
370-020-04220	168	36	370-023-01990	313	17	370-024-45900	67	27
370-020-04230	176	36	370-023-01990	317	17	370-024-46580	71	13
370-020-04240	168	37	370-023-02040	313	2	370-025-00040	108	30
370-020-04250	176	37	370-023-02050	317	2	370-025-01000	44	57
370-020-04260	168	38	370-023-02050	314	44	370-025-01110	48	57
370-020-04270	176	38	370-023-02050	318	44	370-026-00200	59	13
370-020-04280	167	35	370-023-02050	115	1	370-026-00200	143	5
370-020-04290	175	35	370-023-02050	119	1	370-026-00200	143	4
370-020-04300	137	7	370-023-02050	115	1	370-026-00200	137	2
370-020-04310	313	30	370-023-02050	119	1	370-026-00200	89	18
370-020-04320	317	30	370-023-02050	115	1	370-026-00200	283	36
370-020-04330	314	34	370-023-02050	119	1	370-026-00200	247	3
370-020-04340	318	63	370-023-02050	63	29	370-026-00200	248	3
370-020-04350	314	31	370-023-02050	67	28	370-026-00200	256	37
370-020-04360	318	31	370-023-02050	59	6	370-026-00200	263	15
370-020-04370	314	31	370-023-02050	59	5	370-026-00200	265	23
370-020-04380	318	32	370-023-02050	102	10	370-026-00200	321	3
370-020-04390	314	32	370-023-02050	108	31	370-026-00200	43	29
370-020-04400	318	61	370-023-02050	111	31	370-026-00200	47	29
370-020-04410	314	33	370-023-02050	102	32	370-026-00200	43	30
370-020-04420	318	62	370-023-02050	108	32	370-026-00200	47	30
370-020-04430	313	9	370-023-02050	111	32	370-026-00200	231	14
370-020-04440	317	9	370-023-02050	59	7	370-026-00200	231	10
370-020-04450	309	1	370-023-02050	102	30	370-026-00200	57	24
370-020-04460	309	1	370-023-02050	111	30	370-026-00200	57	24
370-020-04470	310	1	370-023-02050	59	1	370-026-00200	57	29

部 品 番 号 Part No.	頁 Page	指示番号 Key No.	部 品 番 号 Part No.	頁 Page	指示番号 Key No.	部 品 番 号 Part No.	頁 Page	指示番号 Key No.
561	257	54	801-360-32036	73	17	801-823-06012	211	12
561-540-04000	260	54	801-360-32050	77	11	801-824-05016	201	1
565	297	53	801-360-50036	79	17	801-824-06014	213	1
565-460-00040	43	33	801-360-50050	145	11	801-833-06016	97	35
565-540-11000	47	33	801-360-50050	321	5	801-924-85014	99	45
594	146	98	801-360-63071	81	2	802-050-00600	201	29
594-571-58000	161	31	801-363-63040	82	2	802	126	41
801	185	21	801-473-10420	85	3	803-010-10080	64	71
801-160-06004	227	11	801-521-05012	86	3	803-010-10100	68	64
801-360-20010	97	3	801-611-04014	89	3	803-010-10100	103	40
801-360-20014	99	3	801-613-05035	143	7	803-020-10100	108	40
801-360-20016	182	84	801-620-04012	182	48	803-020-10140	112	40
801-360-20016	257	61	801-620-05010	182	48	803-020-10160	59	41
801-360-20016	261	61	801-620-05016	182	48	803-020-10160	103	30
801-360-20016	133	22	801-620-06012	182	48	803-020-10160	67	30
801-360-20016	135	22	801-623-03025	182	48	803-020-10160	203	4
801-360-20016	151	23	801-623-04014	195	4	803-020-10160	102	34
801-360-20016	153	23	801-623-04014	197	4	803-020-10160	111	34
801-360-20016	268	69	801-623-05016	296	43	803-020-10160	102	35
801-360-20016	285	9	801-650-04012	297	49	803-020-10160	108	35
801-360-20016	289	33	801-650-05016	271	39	803-020-10160	111	35
801-360-20016	257	56	801-650-05016	271	37	803-020-10180	103	42
801-360-30020	260	56	801-663-04010	296	2	803-020-10180	109	42
801-360-30020	257	60	801-663-04014	297	52	803-020-10230	112	42
801-360-30020	261	60	801-713-04012	209	3	803-020-90101	109	42
801-360-30020	145	20	801-723-03010	211	3	803-020-90151	63	31
801-360-30020	151	11	801-723-03014	297	55	803-020-90151	67	31
801-360-30020	151	31	801-723-04006	297	58	803-020-90151	205	10
801-360-30020	155	11	801-723-05010	323	13	803-020-90151	231	19
801-360-30020	155	32	801-723-05016	331	9	803-020-90151	102	38
801-360-30020	289	5	801-823-06012	333	4	803-020-90151	108	38
801-360-30020	71	11	801-823-06012	209	12	803-020-90151	111	38

組立名称
 Assembly Name
 ポンプ, ハイドロリック
 PUMP, HYDRAULIC
 PB110-0049-00



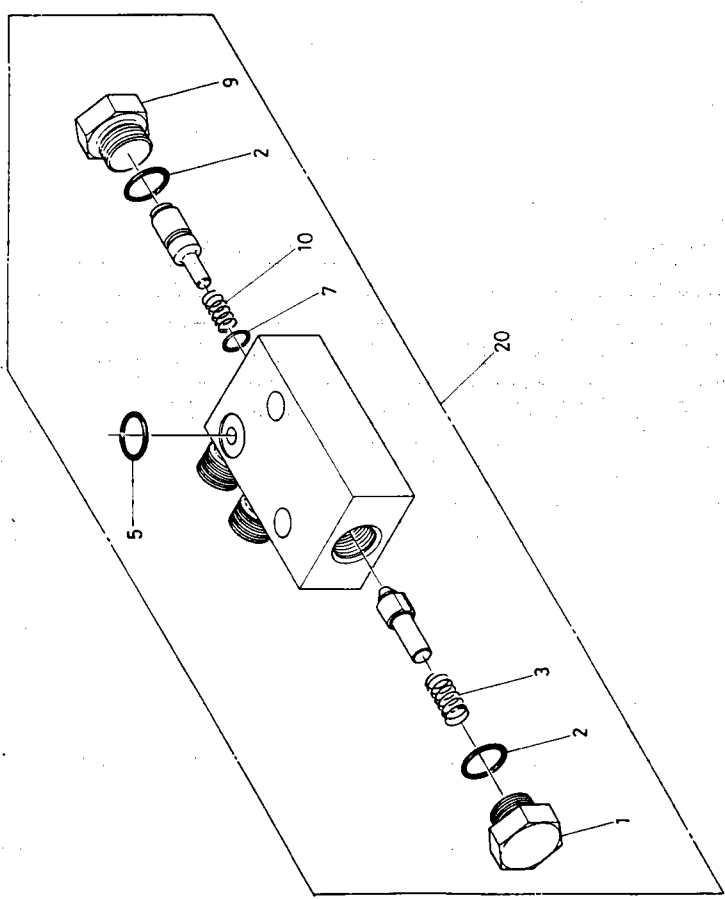
組立名称
 Assembly Name
 ポンプ, ハイドロリック
 PUMP, HYDRAULIC
 FIG. PB110-0049-00

スベック
 Specification
 No.
 A < IS-70M-3-10100
 D < IS-70M-3-20200
 G < IS-70M-3-30200
 J < IS-70M-3-40200

> B < IS-70M-3-10200
 > E < IS-70M-3-20300
 > H < IS-70M-3-30300
 > I < IS-70M-3-40100

指示番号 Key No.	部品番号 Part No.	部品名称 Part Name	Qty Per Section													実番号 Serial No. (実定番号 Modifl. No.)	ページ Page		
			A	B	C	D	E	F	G	H	I	J	K	L	M			N	O
1	366-517-65010	PUMP ASSY NO.1	1	1	1	1	1	1	1	1	1	1	1	1	1	1			
3	366-517-65030	PUMP ASSY NO.2	1	1	1	1	1	1	1	1	1	1	1	1	1	1			
5	366-517-65050	PUMP ASSY NO.3	1	1	1	1	1	1	1	1	1	1	1	1	1	1			
12	910-029-09500	O-RING 1B G95	4	4	4	4	4	4	4	4	4	4	4	4	4	4			
17	366-508-85030	SEAL OIL 1CV284811	1	1	1	1	1	1	1	1	1	1	1	1	1	1			
18	366-508-85040	SEAL OIL 1CV28486	1	1	1	1	1	1	1	1	1	1	1	1	1	1			
19	806-021-10480	RING, RETAINING R48	1	1	1	1	1	1	1	1	1	1	1	1	1	1			
21	366-502-05010	JOINT	1	1	1	1	1	1	1	1	1	1	1	1	1	1			
22	910-029-05500	O-RING 1B G55	1	1	1	1	1	1	1	1	1	1	1	1	1	1			
31	366-502-05020	JOINT	1	1	1	1	1	1	1	1	1	1	1	1	1	1			
32	910-029-05000	O-RING 1B G50	1	1	1	1	1	1	1	1	1	1	1	1	1	1			
42	910-029-07500	O-RING 1B G75	2	2	2	2	2	2	2	2	2	2	2	2	2	2			
50	366-517-60000	PUMP, HYDRAULIC	1	1	1	1	1	1	1	1	1	1	1	1	1	1			

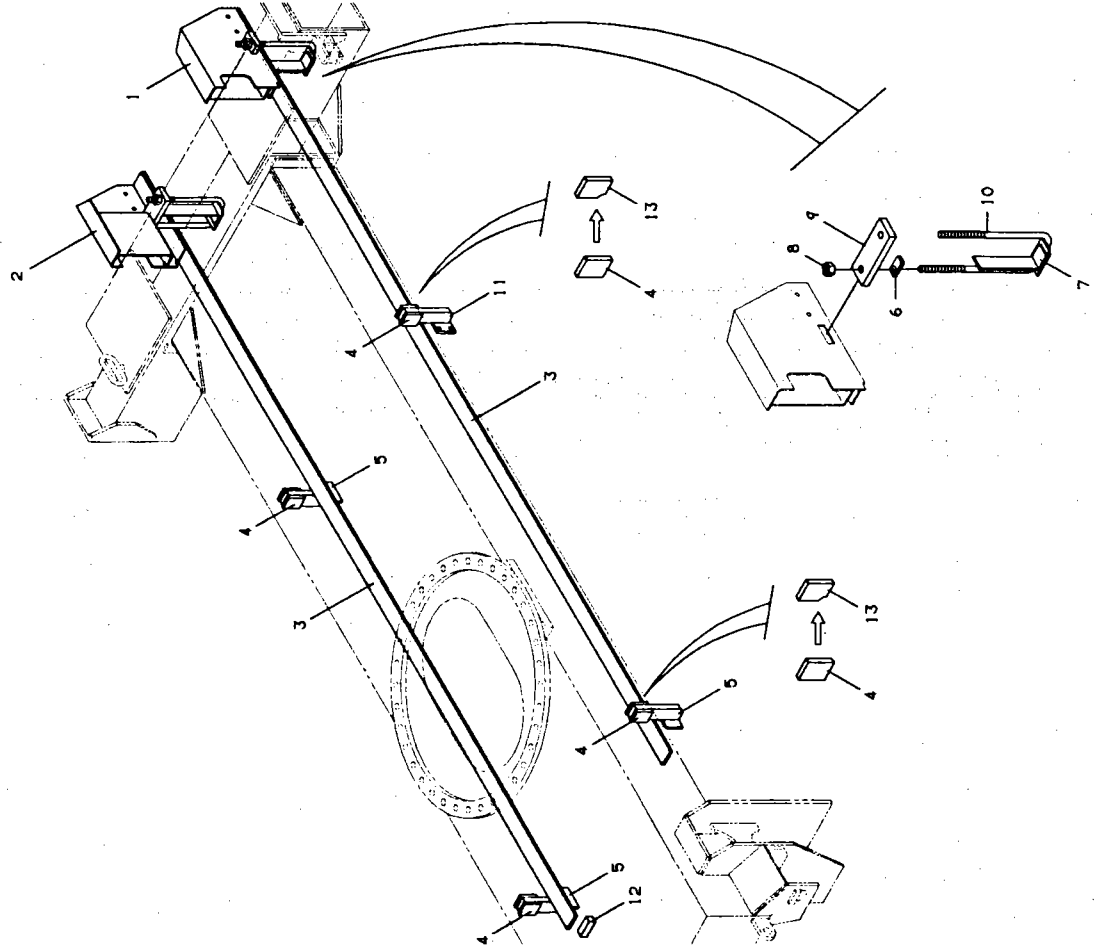
組立名 称 Name
 Assembly Name
 バルブ、パイロット チェック VALVE, PILOT CHECK
 FIG. PI128-0042-00



組立名 称 Name
 Assembly Name
 バルブ、パイロット チェック VALVE-PILOT CHECK
 FIG. PI128-0042-00
 スペック 番号 No.
 Specification
 A < TS-70M-3-10100 > B < TS-70M-3-10200 > C < TS-70M-3-20100 >
 D < TS-70M-3-20200 > E < TS-70M-3-20300 > F < TS-70M-3-30100 >
 G < TS-70M-3-30200 > H < TS-70M-3-30300 > I < TS-70M-3-40100 >
 J < TS-70M-3-40200 >

部品番号 Part No.	部品名 Part Name	Qty Per Section													実測号 Serial No. (実測番号 Modif. No.)	ページ Page		
		A	B	C	D	E	F	G	H	I	J	K	L	M			N	O
1	366-229-50010 PLUG	1	1	1	1	1	1	1	1	1	1	1	1	1	1			
2	910-028-01400 O-RING 1B P14	2	2	2	2	2	2	2	2	2	2	2	2	2	2			
3	522-551-01000 SPRING	1	1	1	1	1	1	1	1	1	1	1	1	1	1			
5	910-028-01000 O-RING 1B P10	2	2	2	2	2	2	2	2	2	2	2	2	2	2			
7	910-028-00700 O-RING 1B P7	1	1	1	1	1	1	1	1	1	1	1	1	1	1			
9	366-200-30050 PLUG	1	1	1	1	1	1	1	1	1	1	1	1	1	1			
10	370-012-01120 SPRING	1	1	1	1	1	1	1	1	1	1	1	1	1	1			
20	366-229-50000 VALVE-PILOT CHECK	1	1	1	1	1	1	1	1	1	1	1	1	1	1			

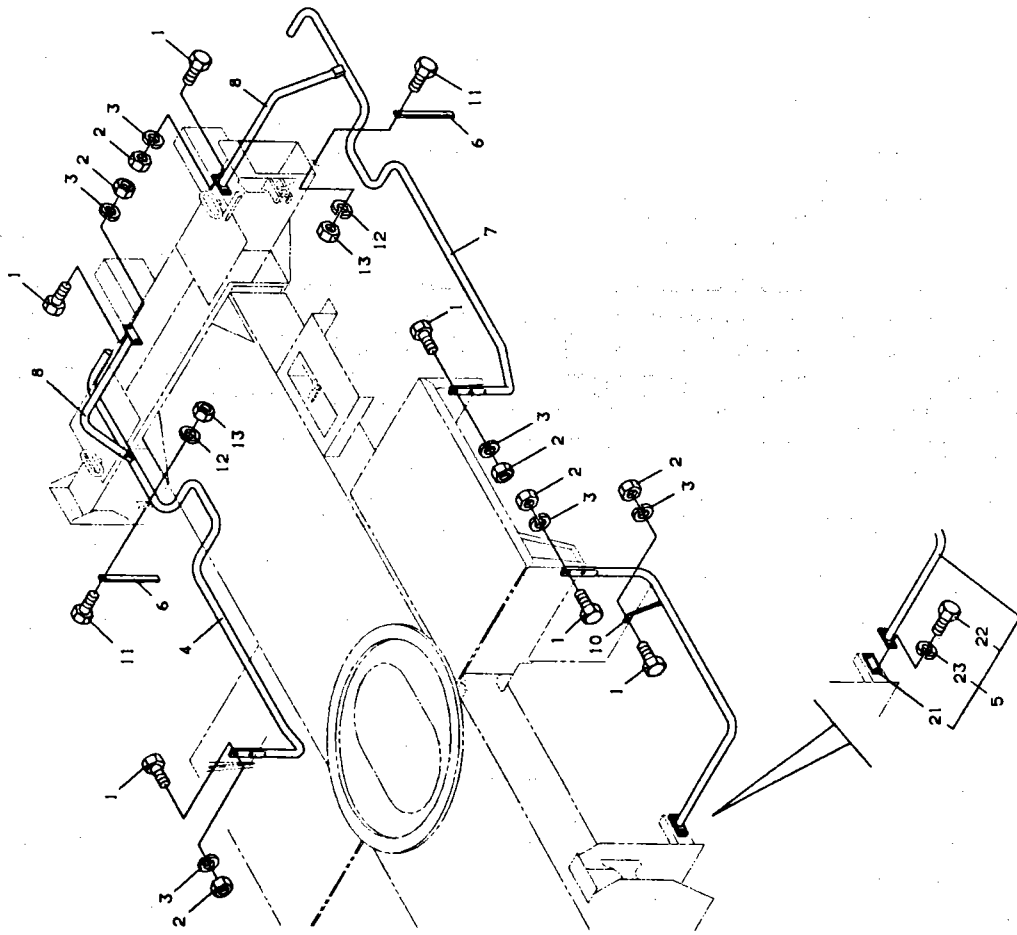
組立名称 アタッチメントパワークレーンフレーム (フレーム)
 Assembly Name ATTACHMENT PARTS, CRANE FRAME (FRAME) PX117-0068-01



組立名称 アタッチメントパワークレーンフレーム (フレーム)
 Assembly Name ATTACHMENT PARTS, CRANE FRAME (FRAME) FIG. PX117-0068-01

部品番号 Part No.	部品名 Part Name	Qty Per Section													実測号 Serial No. (実測番号 Modifi. No.)	ページ Page		
		A	B	C	D	E	F	G	H	I	J	K	L	M			N	O
1	327-608-00011 SUPPORT	1	1															
2	327-612-20020 SUPPORT	1	1															
3	327-607-60010 SPACER	2	2															
4	370-005-07930 PLATE	8															(- 238659 - 2048553)	
4	370-005-07930 PLATE	4															238660 - (2048553 -)	
5	327-612-20030 SUPPORT	3	3															
6	370-005-07970 PLATE	2	2															
7	327-602-10030 SUPPORT	2	2															
8	902-012-01600 NUT M16	4	4															
9	370-005-07980 PLATE	2	2															
10	327-607-60030 U-BOLT	2	2															
11	327-612-20050 SUPPORT	1	1															
12	327-607-60040 STOPPER	1	1															
13	370-005-45420 PLATE	4	4														238660 - (2048553 -)	
13	370-005-45420 PLATE	4	4															

組立名称 サイドガード インスタレーション
 Assembly Name SIDE GUARD INSTALLATION PX120-0067-00

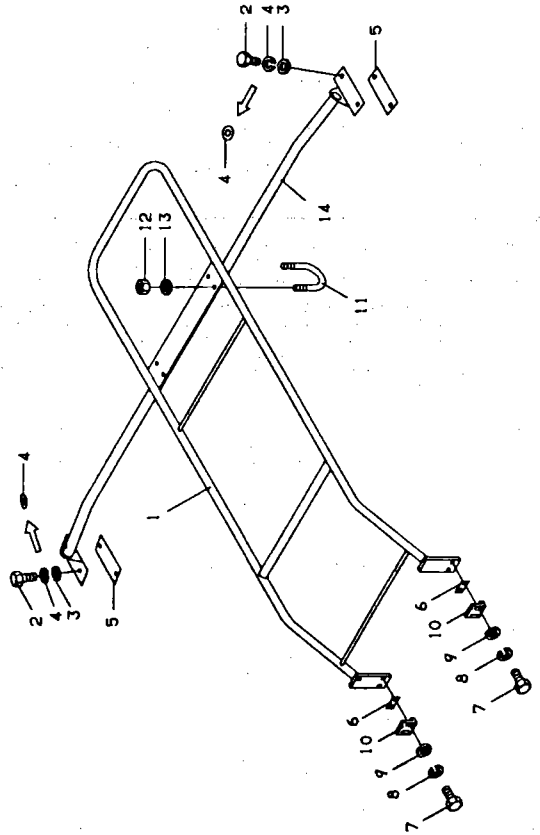
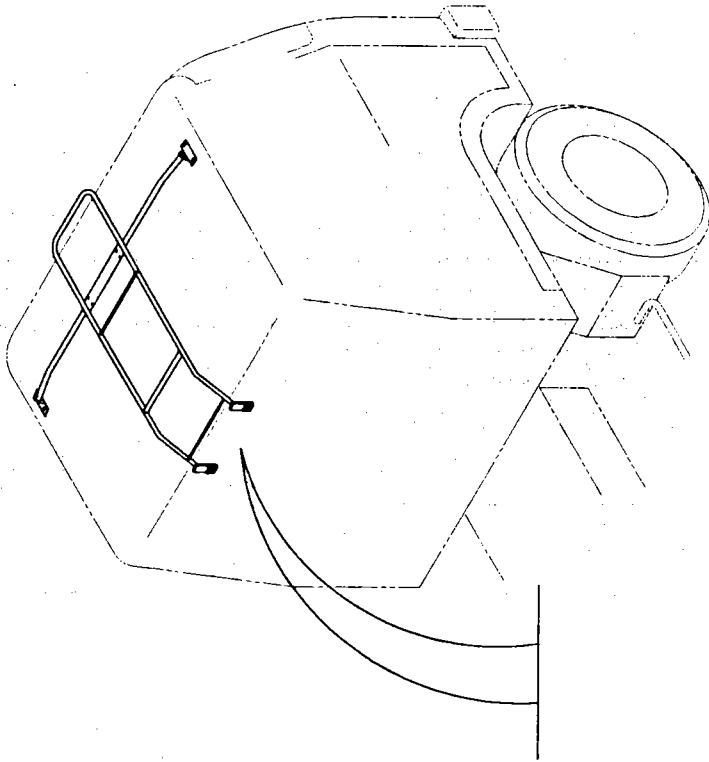


組立名称 サイドガード インスタレーション
 Assembly Name SIDE GUARD INSTALLATION FIG. PX120-0067-00

スペック番号
 Specification No. A < TS-70M-3-10100
 B < TS-70M-3-10200
 C < TS-70M-3-20100
 D < TS-70M-3-20200
 E < TS-70M-3-20300
 F < TS-70M-3-30100
 G < TS-70M-3-30200
 H < TS-70M-3-30300
 I < TS-70M-3-40100
 J < TS-70M-3-40200

指示番号 Key No.	部品番号 Part No.	部品名称 Part Name	QTY Per Section													原機番号 Serial No. (変更番号 Modif. No.)	ページ Page	
			A	B	C	D	E	F	G	H	I	J	K	L	M			N
1	901-012-10035	BOLT M10X35	10	10	10	10	10	10	10	10	10	10	10	10	10	10	(239797)	
1	901-012-10035	BOLT M10X35	11	11	11	11	11	11	11	11	11	11	11	11	11	11	(239798)	
2	902-012-01000	NUT M10	10	10	10	10	10	10	10	10	10	10	10	10	10	10	(2057057)	
2	902-012-01000	NUT M10	11	11	11	11	11	11	11	11	11	11	11	11	11	11	(239797)	
3	903-020-41001	WASHER-SPRING 10	10	10	10	10	10	10	10	10	10	10	10	10	10	10	(2057057)	
3	903-020-41001	WASHER-SPRING 10	11	11	11	11	11	11	11	11	11	11	11	11	11	11	(239798)	
4	327-607-70010	GUARD-SIDE	1	1	1	1	1	1	1	1	1	1	1	1	1	1	(2057057)	
5	327-607-70020	GUARD-SIDE	1	1	1	1	1	1	1	1	1	1	1	1	1	1		
6	370-005-06090	PLATE	2	2	2	2	2	2	2	2	2	2	2	2	2	2		
7	327-607-70030	GUARD-SIDE	1	1	1	1	1	1	1	1	1	1	1	1	1	1		
8	327-600-70050	SUPPORT	2	2	2	2	2	2	2	2	2	2	2	2	2	2		
10	327-607-70050	SUPPORT	1	1	1	1	1	1	1	1	1	1	1	1	1	1		
11	901-012-12035	BOLT M12X35	2	2	2	2	2	2	2	2	2	2	2	2	2	2		
12	903-020-41201	WASHER-SPRING 12	2	2	2	2	2	2	2	2	2	2	2	2	2	2		
13	902-012-01200	NUT M12	2	2	2	2	2	2	2	2	2	2	2	2	2	2		
21	563-600-13000	PLATE	1	1	1	1	1	1	1	1	1	1	1	1	1	1		
22	901-012-10016	BOLT M10X16	2	2	2	2	2	2	2	2	2	2	2	2	2	2		
23	903-020-41001	WASHER-SPRING 10	2	2	2	2	2	2	2	2	2	2	2	2	2	2		

組立名称 キヤブ・ガード インスタレーション
 Assembly Name CAB GUARD INSTALLATION
 PX137-0060-00



組立名称 キヤブ・ガード インスタレーション
 Assembly Name CAB GUARD INSTALLATION
 FIG. PX137-0060-00

仕様書番号 A < TS-70H-3-10100 > B < TS-70H-3-10200 > C < TS-70H-3-20100 >
 D < TS-70H-3-20200 > E < TS-70H-3-20300 > F < TS-70H-3-30100 >
 G < TS-70H-3-30200 > H < TS-70H-3-30300 > I < TS-70H-3-40100 >
 J < TS-70H-3-40200 >

部品番号 Key No.	部品番号 Part No.	部品名称 Part Name	Qty Per Section													実装位置 Serial No. (実装番号 Modifi. No.)	ページ Page		
			A	B	C	D	E	F	G	H	I	J	K	L	M			N	O
1	327-717-21000	GUARD																(239727 2057757)	
2	901-900-00051	BOLT M8X25																	
3	903-035-20801	WASHER, PLAIN 8																	
4	903-025-10801	WASHER, SPRING 8																	
4	370-005-48920	PLATE																	
5	370-005-48500	PLATE																	
6	536-286-05000	SPACER																	
7	901-012-06020	BOLT M6X20																	
8	903-020-40601	WASHER, SPRING M6																	
9	903-030-70601	WASHER, PLAIN 6																	
10	536-286-04000	SUPPORT																	
11	532-709-31000	U-BOLT																	
12	902-012-00800	NUT M8																	
13	903-020-40801	WASHER, SPRING 8																	
14	327-717-22000	GUARD																(239727 2057757)	
14	327-717-22001	GUARD																(239728 - 366699 2057757 - 2081416 366700 - 2081416)	
14	327-717-22002	GUARD																	

部品変更リスト
PARTS REVISION LIST

CLICK HERE TO **DOWNLOAD** THE COMPLETE MANUAL

- Thank you very much for reading the preview of the manual.
- You can download the complete manual from: www.heydownloads.com by clicking the link below



- Please note: If there is no response to CLICKING the link, please download this PDF first and then click on it.

CLICK HERE TO **DOWNLOAD** THE COMPLETE MANUAL