

DT-720-1-31500 LOWER,HINO TKG-GD7JGAA-SA

PB1000717-00 HYDRAULIC PRESSURE GENERATING SYSTEM

PC1000315-01 OUTRIGGER SYSTEM

PK1000637-00 FRAME

PL1000654-00 CONTROL DEVICES

PN1000596-00 ELECTRIC EQUIPMENT

PO1000169-00 INDICATION PLATES

PW1000028-00 ACCESSORIES & TOOLS

PX1001261-00 MOUNTING PARTS

PY1001654-02 OPTION UNIT,1 (LOWER)

PY5000013-01 OPTION UNIT,2 (LOWER)

ASSEMBLY

CLICK HERE TO **DOWNLOAD** THE COMPLETE MANUAL

- Thank you very much for reading the preview of the manual.
- You can download the complete manual from: www.heydownloads.com by clicking the link below



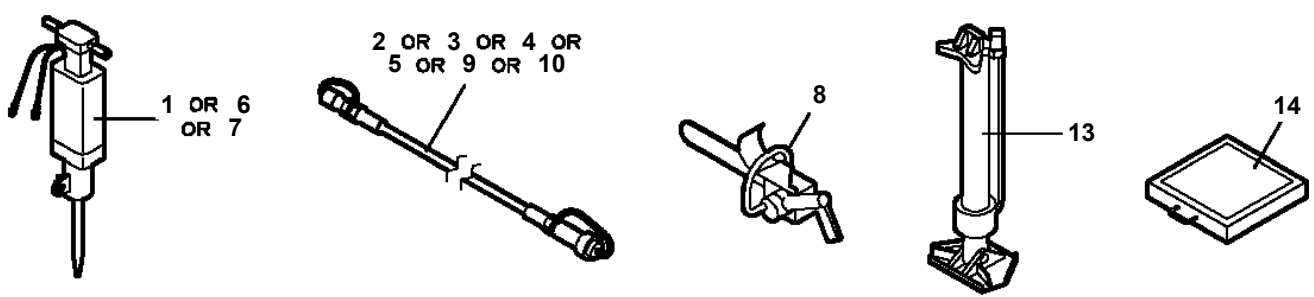
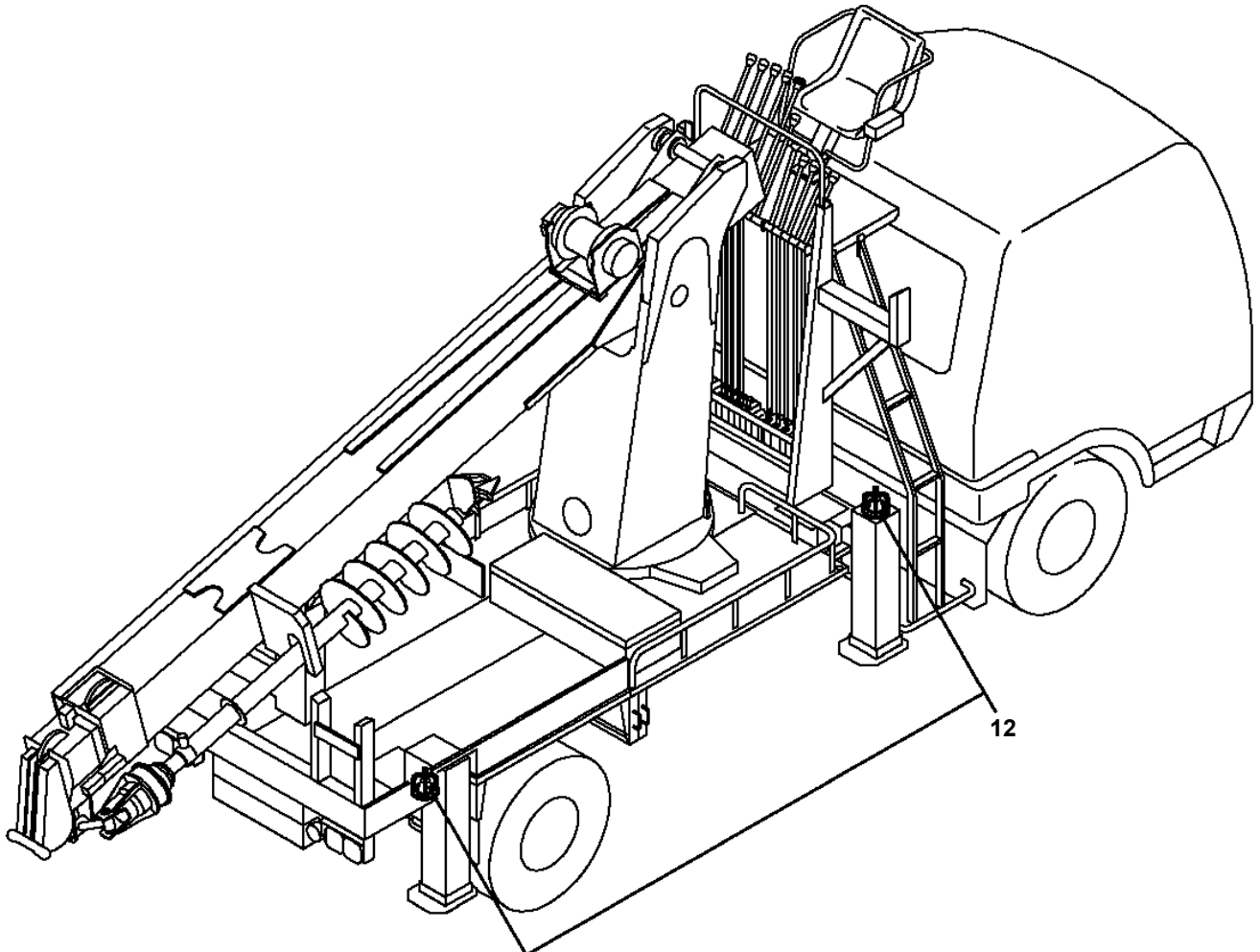
- Please note: If there is no response to CLICKING the link, please download this PDF first and then click on it.

CLICK HERE TO **DOWNLOAD** THE COMPLETE MANUAL

DT-720-1-31500 LOWER,HINO TKG-GD7JGAA-SA

Pos No.	Parts No	Parts Name	Qty	Unit	Technical Data	Serial No (Start)	Se
1	(*****)	MOUNT ASSY,TAIL LAMP	1				
2	(*****)	ELEC.ASSY,CARRIER	1				
3	(*****)	ELEC.ASSY (WITH BOOM RETRACTION DETECTOR)	1				

**DT-720-1-31500 LOWER,HINO TKG-GD7JGAA-SA
PY5000013-01 OPTION UNIT,2 (LOWER)**

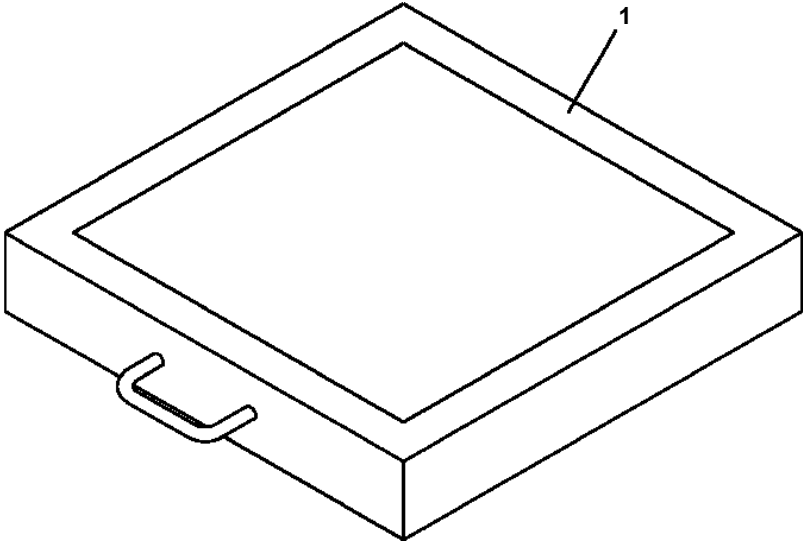


適用製造番号によっては取り付けがないものもあります。
MACHINES OF SOME SERIAL NO. ARE NOT EQUIPPED WITH THESE PARTS.

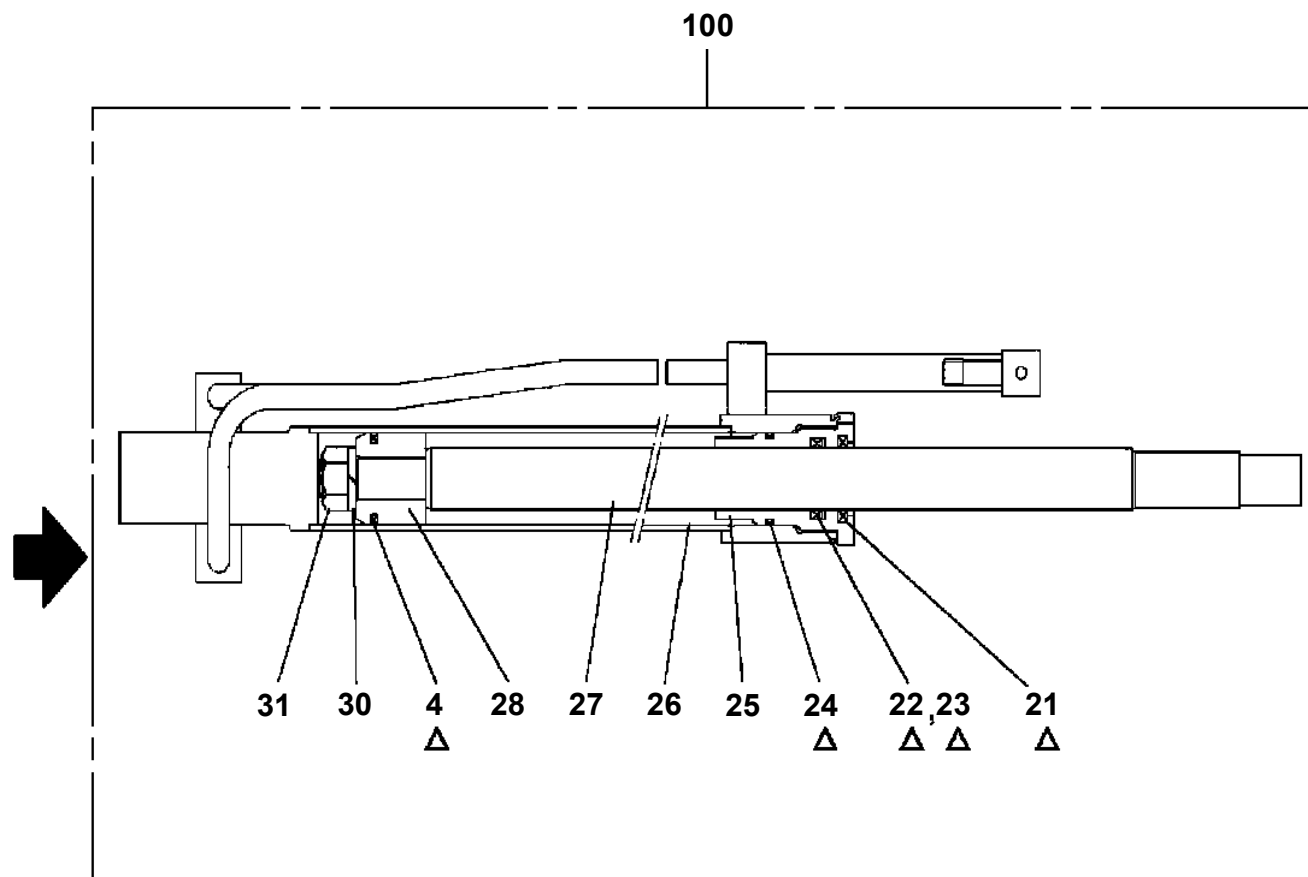
DT-720-1-31500 LOWER,HINO TKG-GD7JGAA-SA

Pos No.	Parts No	Parts Name	Qty	Unit	Technical Data	Serial No (Start)	Serial No (End)	Remarks
1	32820640100	SUPPORT	1					
2	90171112025	BOLT	4		M12X25			
3	90302041201	WASHER,SPRING	4		12			
4	90172110035	BOLT,HEXAGON SOCKET	2		M10X35			
5	90302041001	WASHER,SPRING	2		10			
6	90303071001	WASHER,PLAIN	2		10			
7	90201401000	NUT	2		M10			
8	90171106020	BOLT	1		M6X20			
9	90302040601	WASHER,SPRING	1		6			
10	32811100020	SUPPORT	1					
11	32811100030	COUPLING	1					
12	37000913850	JOINT (WITH O-RING)	1		L,G3/4-G1/2			
14	36651390000	PUMP,HYDRAULIC	1					
31	91002802400	O-RING	1		1B P24			

DT-720-1-31500 LOWER,HINO TKG-GD7JGAA-SA
PB5140007-00 BLOCK,WOOD



DT-720-1-31500 LOWER,HINO TKG-GD7JGAA-SA
PC1050214-02 CYLINDER,EXTENSION (REAR)



Δ : PACKING SET KEY NO.41 (NO.4,21,22,23,24)

DT-720-1-31500 LOWER,HINO TKG-GD7JGAA-SA

Pos No.	Parts No	Parts Name	Qty	Unit	Technical Data	Serial No (Start)	Serial No (End)	Remarks
141	91002801400	O-RING	2		1B P14			
151	42340017550	CAP (DUST)	1					
161	91071011500	O-RING	1		Y22550-115-A			
172	37000711170	CLAMP ASSY	4		12X3			
201	32640220160	JOINT	1			390614		
202	90172105045	BOLT,HEXAGON SOCKET	4		M5X45	390614		
203	80302090241	FITTING	2		KCO18-040N	390614		
204	80302090201	FITTING	1		KCO15-040N	390614		
205	80302090231	FITTING	2		KCO18-030N	390614		
206	81408000241	PIPE,STEEL	1	M	18X1.9T	390614		
207	91002801400	O-RING	2		1B P14	390614		
208	91002801800	O-RING	3		1B P18	390614		
209	37000521400	PLATE	2			390614		
210	36646790000	VALVE,SOLENOID	1			390614		
211	42643770400	FITTING,FLANGE	1			390614		
212	90101208055	BOLT	2		M8X55	390614		
213	90302040801	WASHER,SPRING	2		8	390614		
214	90303070801	WASHER,PLAIN	2		8	390614		
215	81408000241	PIPE,STEEL	1	M	18X1.9T	390614		
221	32640222400	JOINT	1			390718		
222	37002505580	HOSE	1		L=800	390718		
223	91803600550	CLIP	4		D=40-55	390718	390720	
	91803600550	CLIP	8		D=40-55	390721		
224	32640222200	JOINT	1			390718		
225	91001203500	O-RING	1		1A G35	390718		
226	90101208030	BOLT	2		M8X30	390718		
227	90302040801	WASHER,SPRING	4		8	390718	390720	
	90302040801	WASHER,SPRING	9		8	390721		
228	32640220040	JOINT	1			390718		
229	80302010180	FITTING	1		KCT15-030N	390718		
230	81408000210	PIPE,STEEL	3	M	15X2.0T	390718		
231	32640222300	SUPPORT	1			390718		
232	90101208018	BOLT	2		M8X18	390718	390720	
	90101208018	BOLT	3		M8X18	390721		
233	37002514080	HOSE	1		L=820	390718		
234	91803600400	CLIP	4		D=27-40	390718		
235	36671080000	FILTER ASSY	1			390718		
236	32640222500	JOINT	1			390721		
237	32640222600	JOINT	1			390721		
238	32640222700	JOINT	1			390721		
239	37002500380	HOSE	1		L=195	390721		
240	37002501960	HOSE	1		L=300	390721		
241	32640222800	SUPPORT	1			390721		
242	32640222900	SUPPORT	1			390721		
243	90101208045	BOLT	4		M8X45	390721		
244	90303070801	WASHER,PLAIN	4		8	390721		
245	90101210025	BOLT	2		M10X25	390721		
246	90201201000	NUT	2		M10	390721		
247	90302041001	WASHER,SPRING	2		10	390721		
248	90303071001	WASHER,PLAIN	2		10	390721		
249	90201200800	NUT	1		M8	390721		
250	91810132530	FASTENER	1			390721		
251	82100002019	CLAMP	1		WR40	390721		

DT-720-1-31500 LOWER,HINO TKG-GD7JGAA-SA

Pos No.	Parts No	Parts Name	Qty	Unit	Technical Data	Serial No (Start)	Serial No (End)
2	80136340045	PIN,SPLIT	2		4X45		
3	37000119320	PIN	1				
4	36050190020	FLOAT	1				
21	80456120610	JOINT,SELF SEALING (PLUG)	1				
22	91332207500	BEARING,PLAIN	1				
23	91350307500	PACKING ASSY (PACKING X2+BACKUP RING X2)	1				
25	36050192120	CYLINDER	1				
26	80457030600	CAP	1				
27	80458010600	PLUG (FOR FEMAIL)	1		06		
28	80456110610	JOINT,SELF SEALING (SOCKET)	1				
29	91002907500	O-RING	1		1B G75		
30	36050192040	COVER,ROD	1				
31	91001208500	O-RING	1		1A G85		
33	91694006000	PACKING	1				
34	91410206002	RING,BACKUP	1				
35	91660006000	SEAL,DUST	1				
36	80622000600	RING,RITAINING	1		SP60		
38	91002801400	O-RING	2		1B P14		
39	90730008120	SCREW,SET	1		M8X12		
40	91002802600	O-RING	1		1B P26		
41	36054260020	PISTON	1				
42	36050192130	ROD	1				
51	91071011500	O-RING	1		Y22550-115-A		
52	91470000600	RING,BACKUP	1		Y22021-06		
80	36054269900	PACKING SET	1		60X75		
100	36054260000	CYLINDER ASSY (POLE PULLER)	1				

DT-720-1-31500 LOWER,HINO TKG-GD7JGAA-SA

Pos No.	Parts No	Parts Name	Qty	Unit	Technical Data	Serial No (Start)	Serial No (End)	Remarks	Pages
2	32730520010	SUPPORT	1						
3	90101208020	BOLT	2		M8X20				
4	90201200800	NUT	2		M8				
5	90302040801	WASHER,SPRING	2		8				
11	32700007500	LEVEL	1						

DT-720-1-31500 LOWER,HINO TKG-GD7JGAA-SA

Pos No.	Parts No	Parts Name	Qty	Unit	Technical Data	Serial No (Start)	Serial No (End)	Remarks	Pages
1	32930900201	HARNESS	1						

DT-720-1-31500 LOWER,HINO TKG-GD7JGAA-SA

Pos No.	Parts No	Parts Name	Qty	Unit	Technical Data	Serial No (Start)	Serial No (End)	Remarks	Pages
1	82100000895	SWITCH,TOGGLE	1						
2	82100000665	CAP (BLACK)	1						
5	82161324080	RELAY	1						
10	82100000792	FUSE	1		25A,6.5X30				
100	32732931100	HARNESS	1						

DT-720-1-31500 LOWER,HINO TKG-GD7JGAA-SA

Pos No.	Parts No	Parts Name	Qty	Unit	Technical Data	Serial No (Start)	Serial No (End)	Remarks	Pages
100	32731960010	HARNESS	1						

DT-720-1-31500 LOWER,HINO TKG-GD7JGAA-SA

Pos No.	Parts No	Parts Name	Qty	Unit	Technical Data	Serial No (Start)	Serial No (End)	Rem
1	80456010610	JOINT,SELF SEALING	1					
2	91810130240	FASTENER	2					
3	37002427920	HOSE	1		L=10000			
4	80456020610	JOINT,SELF SEALING	1					
21	91071011500	O-RING	1		Y22550-115-A			
31	42340017550	CAP (DUST)	1					
50	32732450000	HOSE ASSY (FOR EXTENSION)	1		10M			

CLICK HERE TO **DOWNLOAD** THE COMPLETE MANUAL

- Thank you very much for reading the preview of the manual.
- You can download the complete manual from: www.heydownloads.com by clicking the link below



- Please note: If there is no response to CLICKING the link, please download this PDF first and then click on it.

CLICK HERE TO **DOWNLOAD** THE COMPLETE MANUAL

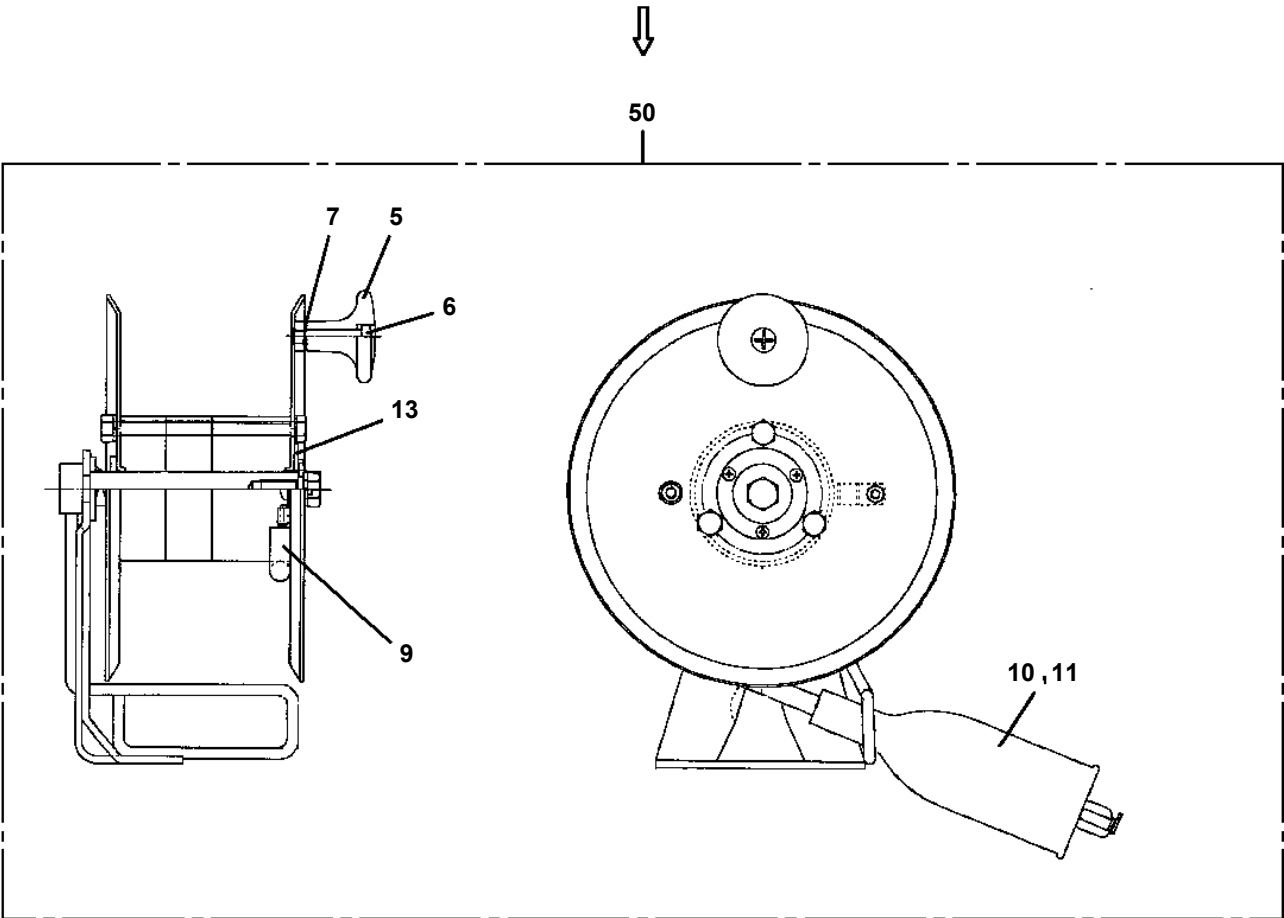
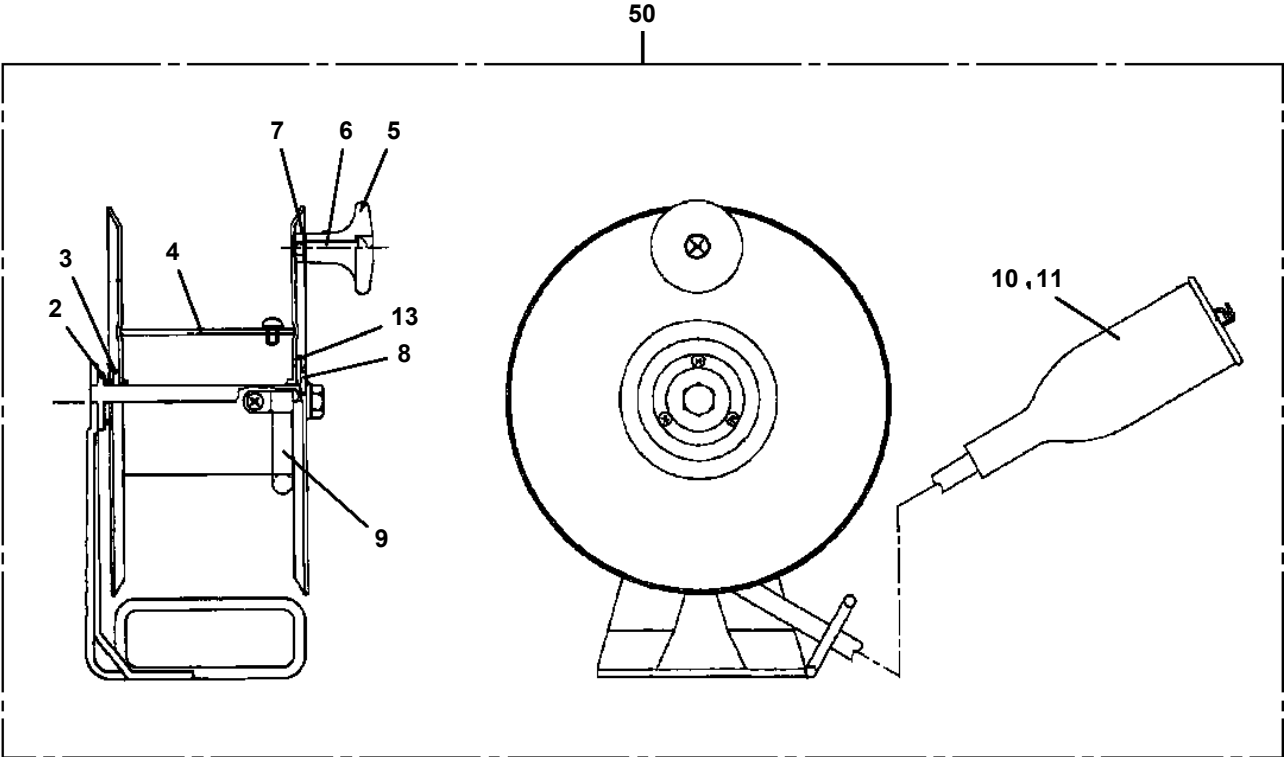
DT-720-1-31500 LOWER,HINO TKG-GD7JGAA-SA

Pos No.	Parts No	Parts Name	Qty	Unit	Technical Data	Serial No (Start)	Serial No (End)	Remarks	Pa
1	36620250060	PLUG	1						
2	91002801400	O-RING	2		1B P14				
3	12515186000	SPRING	1						
6	91002801000	O-RING	2		1B P10				
7	36622941100	PISTON	1						
8	91002800700	O-RING	1		1B P7				
9	36620030050	PLUG	1						
10	80400160127	JOINT	2						
11	91002801100	O-RING	2		1B P11				
12	37001201120	SPRING	1						
20	36622940000	VALVE,PILOT CHECK	1						

DT-720-1-31500 LOWER,HINO TKG-GD7JGAA-SA

Pos No.	Parts No	Parts Name	Qty	Unit	Technical Data	Serial No (Start)	Serial No (End)	Remarks	Pages
1	32710000010	PEDAL	1						
2	32710000020	ROD	1						
3	32710000030	LEVER	1						
5	90303071001	WASHER,PLAIN	2		10				
6	80136320018	PIN,SPLIT	2		2X18				
7	37000104920	PIN	1						
8	90303071201	WASHER,PLAIN	4		12				
9	80136332025	PIN,SPLIT	2		3.2X25				
10	90201200800	NUT	1		M8				
11	90303070801	WASHER,PLAIN	2		8				
12	90203201200	NUT	2		M12				
13	90309331201	WASHER	2		L12				
14	32710000050	SUPPORT	1						
15	16314010000	SPRING	1						
16	90102210050	BOLT	1		M10X50				
17	90201201000	NUT	2		M10				
18	82400000218	GROMMET	1						
19	37000530590	PLATE	1		T=3				
22	90102210060	BOLT	1		M10X60				
23	31320020010	KNOB (BLACK)	1						
25	37000400510	BEARING,PLAIN	2						

DT-720-1-31500 LOWER,HINO TKG-GD7JGAA-SA
PN1350027-01 REEL,CORD



DT-720-1-31500 LOWER,HINO TKG-GD7JGAA-SA

Pos No.	Parts No	Parts Name	Qty	Unit	Technical Data	Serial No (Start)	Serial No (End)	Remarks
1	32701560100	ROD	1					
2	56140022000	TURN BUCKLE	1					
3	32701560200	ROD	1					
4	37000105720	PIN	2					
5	90303070601	WASHER,PLAIN	2		6			
6	80136320012	PIN,SPLIT	2		2X12			
7	90201200600	NUT	3		M6			
8	90291200600	NUT(LEFT HAND SCREW)	1		M6			
9	32701560300	SUPPORT	1					
10	32701560400	COVER	1					
11	32701560500	COVER	1					
12	37000536370	PLATE	1					
13	90201200800	NUT	2		M8			
14	90101208025	BOLT	2		M8X25			
15	90302040801	WASHER,SPRING	2		8			
16	90101206020	BOLT	2		M6X20			
17	90302040601	WASHER,SPRING	6		6			
18	91810132530	FASTENER	10					
19	90101206014	BOLT	4		M6X14			

DT-720-1-31500 LOWER,HINO TKG-GD7JGAA-SA

Pos No.	Parts No	Parts Name	Qty	Unit	Technical Data	Serial No (Start)	Serial No (End)	Remarks	Page
1	36161705010	CASE	1						
2	36132015010	PLATE (BASE)	1						
3	36161705020	PACKING	1						
4	36161715010	SPRING ASSY	1						
5	32360005050	RING,SLIP	1						
6	32360005060	CONTACTOR ASSY	1						
7	31370005070	GROMMET	1						
8	31370005080	GUIDE (CORD)	1						
10	36160935030	WASHER	2						
22	36160325010	COLLAR	1						
24	36131745090	CORD	13	M					
100	36161720000	REEL ASSY,CORD	1						

DT-720-1-31500 LOWER,HINO TKG-GD7JGAA-SA

Pos No.	Parts No	Parts Name	Qty	Unit	Technical Data	Serial No (Start)	Serial No (End)	Remarks	Pages
1	32620527510	SEAT	1						
2	32620527520	ADJUSTER (SEAT)	1						
3	32620527530	ADJUSTER (SEAT)	1						
4	32620527540	BOLT	4		M8X20				
100	32620521000	SEAT ASSY	1						

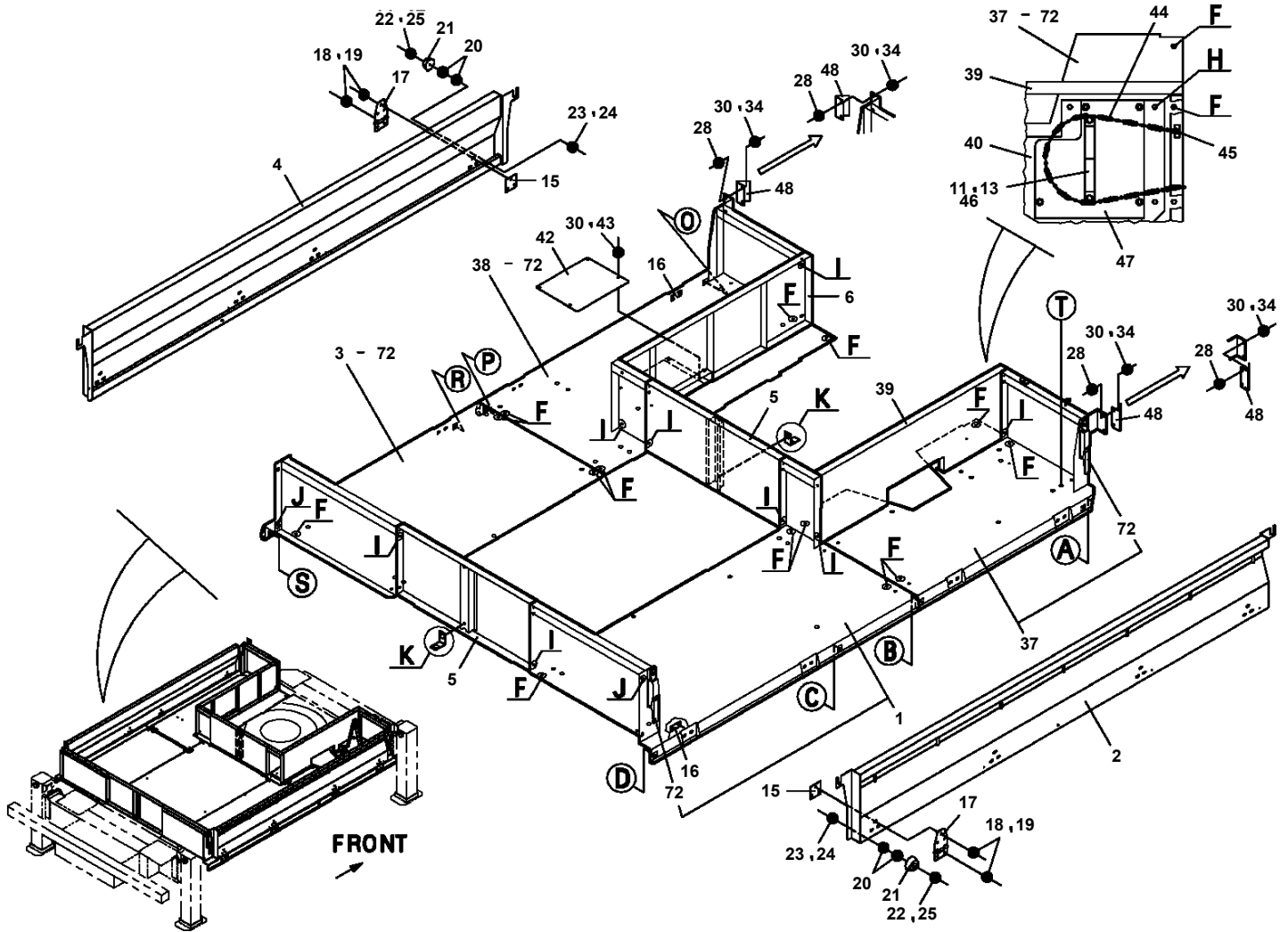
DT-720-1-31500 LOWER,HINO TKG-GD7JGAA-SA

Pos No.	Parts No	Parts Name	Qty	Unit	Technical Data	Serial No (Start)	Serial No (End)	Remarks	Pages
1	32730452040	PLATE,NAME	1						000044
2	32732931100	HARNESS	1						
3	32732931200	COVER	1						
4	90101206012	BOLT	2		M6X12				
5	90302040601	WASHER,SPRING	2		6				
6	82100002010	CLAMP	1		WR15				
7	32732931300	SUPPORT	1						
8	90201200500	NUT	1		M5				
9	80172305012	SCREW,MACHINE	1		M5X12				
10	90302040501	WASHER,SPRING	1		5				
11	90303070501	WASHER,PLAIN	1		5				
100	32732931000	SWITCH ASSY	1						

DT-720-1-31500 LOWER,HINO TKG-GD7JGAA-SA

Pos No.	Parts No	Parts Name	Qty	Unit	Technical Data	Serial No (Start)	Serial No (End)	Remarks	Pages
1	36100610001	TANK,OIL	1						000015
2	32660130010	SUPPORT	1						
3	32660030020	BAND	2						
4	90201201000	NUT	4		M10				
6	90101512025	BOLT	4		M12X25				
7	90302041201	WASHER,SPRING	4		12				
15	32660130030	SUPPORT	4						

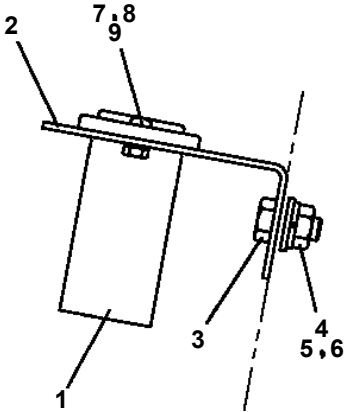
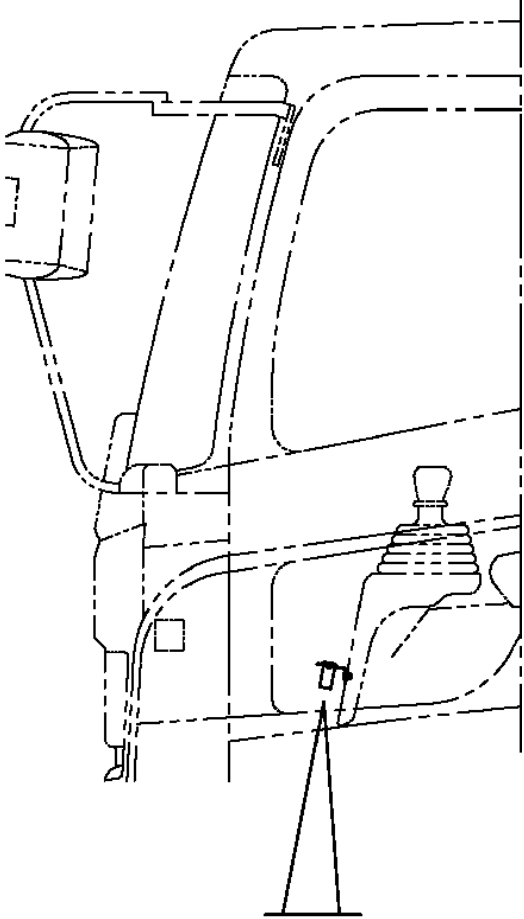
**DT-720-1-31500 LOWER,HINO TKG-GD7JGAA-SA
PX5280007-02 MOUNT ASSY,DECK**



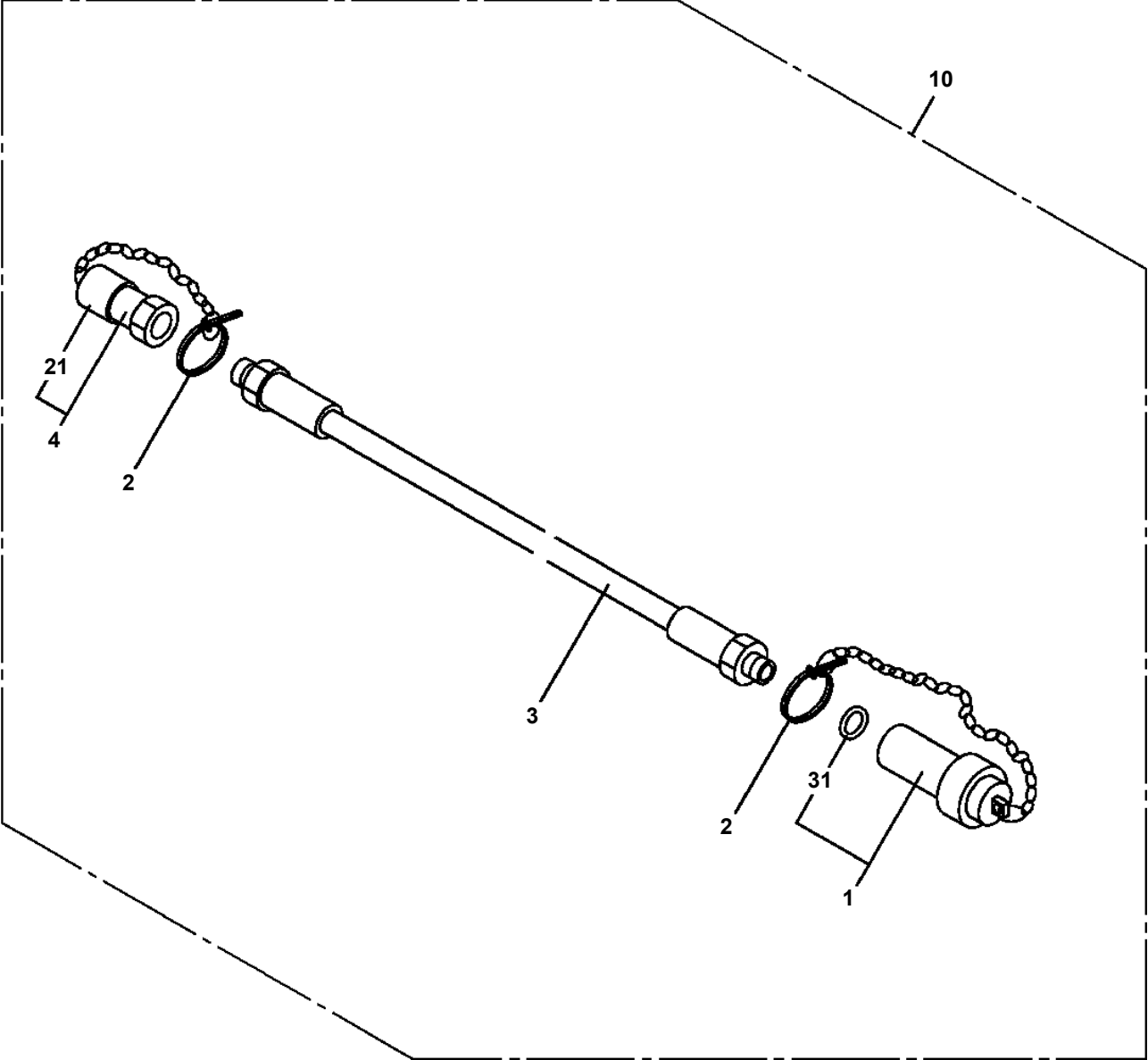
DT-720-1-31500 LOWER,HINO TKG-GD7JGAA-SA

Pos No.	Parts No	Parts Name	Qty	Unit	Technical Data	Serial No (Start)	Serial No (End)	Remarks	Page
1	32930890100	SUPPORT	1						
2	90101208020	BOLT	10		M8X20				
3	90201200800	NUT	8		M8				
4	90302040801	WASHER,SPRING	13		8				
5	90303070801	WASHER,PLAIN	8		8				
6	82440720020	PLATE,REFLECTOR	1						
7	91850400601	CLAMP	22						
8	91810130240	FASTENER	50						
9	90155306015	BOLT,WELD	3		M6X15				
10	91850310305	CLAMP	20						
15	82420506412	TRIM	1	M					
16	42809800300	SUPPORT	2						
25	90101208025	BOLT	4		M8X25				
26	80147390640	RIVET	8						

DT-720-1-31500 LOWER,HINO TKG-GD7JGAA-SA
PY1510049-00 HOUR METER



**DT-720-1-31500 LOWER,HINO TKG-GD7JGAA-SA
PY1910005-02 HOSE (15M.210KG/CM2)**



CLICK HERE TO **DOWNLOAD** THE COMPLETE MANUAL

- Thank you very much for reading the preview of the manual.
- You can download the complete manual from: www.heydownloads.com by clicking the link below



- Please note: If there is no response to CLICKING the link, please download this PDF first and then click on it.

CLICK HERE TO **DOWNLOAD** THE COMPLETE MANUAL