

DT-720-1-40500 LOWER,ISUZU KK-NRR35G3XN

PB1000397-00 HYDRAULIC PRESSURE GENERATING SYSTEM

PC1000315-01 OUTRIGGER SYSTEM

PK1000638-00 FRAME

PL1000387-01 CONTROL DEVICES

PN1000269-01 ELECTRIC EQUIPMENT

PO1000169-00 INDICATION PLATES

PW1000028-00 ACCESSORIES & TOOLS

PX1000705-02 MOUNTING PARTS

PY1000609-03 OPTIONS

ASSEMBLY

CLICK HERE TO **DOWNLOAD** THE COMPLETE MANUAL

- Thank you very much for reading the preview of the manual.
- You can download the complete manual from: www.heydownloads.com by clicking the link below



- Please note: If there is no response to CLICKING the link, please download this PDF first and then click on it.

CLICK HERE TO **DOWNLOAD** THE COMPLETE MANUAL

DT-720-1-40500 LOWER,ISUZU KK-NRR35G3XN

Pos No.	Parts No	Parts Name	Qty	Unit	Technical Data	Serial No (Start)	Se
1	(*****)	ELEC.ASSY (TAIL LAMP)	1				
2	(*****)	ELEC.ASSY (POWER SUPPLY)	1				
3	(*****)	ELEC.ASSY (WITH BOOM RETRACTION DETECTOR)	1				

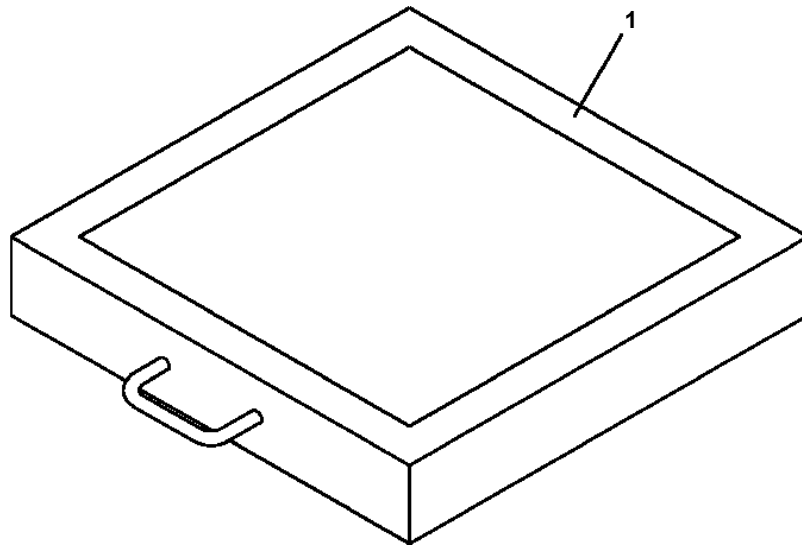
DT-720-1-40500 LOWER,ISUZU KK-NRR35G3XN

PN1010869-01 ELEC.ASSY (OP.,OIL COOLER)
PN1010920-00 ELEC.ASSY (TAIL LAMP)
PN1013097-00 ELEC.ASSY (POWER SUPPLY)
PN1013598-04 ELEC.ASSY (WITH BOOM RETRACTION DETECTOR)
PN1060137-03 SWITCH PANEL
PN1100019-01 RELAY BOX
PN1350032-02 REEL,CORD
PN1350070-02 REEL,CORD
PN1350111-02 REEL,CORD
PO1013691-03 PLATE ASSY,NAME (CRANE)
PR5050008-00 REEL ASSY,CORD
PR5050015-00 REEL ASSY,CORD
PR5050034-00 REEL ASSY,CORD
PR5090120-00 RELAY ASSY
PR5100032-00 RELAY BOX ASSY
PR5100098-00 RELAY BOX ASSY
PS5050006-01 SEAT ASSY
PS5050009-00 SEAT ASSY
PS5380006-00 STOPPER
PS5530169-01 SWITCH ASSY
PS5530239-01 SWITCH ASSY
PV5040006-00 VALVE ASSY,CHECK
PW1010334-04 ACCESSORIES
PW1030013-01 TOOLS
PW1050011-00 STOPPER,TIRE
PW1100000-00 CHAIN
PX1030552-01 FENDER
PX1100102-01 TANK SUPPORT INSTALLATION
PX1100257-00 TANK SUPPORT (REAR)
PX1120127-00 BOOM REST INSTALLATION
PX1170457-02 ATTACHMENT PARTS, CRANE FRAME
PX1200130-00 GUARD,SIDE (2)
PX1200437-00 GUARD,SIDE (FENDER)
PX1270021-02 WOOD BLOCK INSTALLATION
PX1350024-00 TOOL BOX INSTALLATION
PX1350415-01 BOX,TOOL
PX1390708-00 MODIFICATION PARTS
PX1540016-01 WEDGE INSTALLATION
PX1940030-01 MOUNT(FRAME)
PX1940032-00 MOUNT(REFLECTOR)
PX5010154-01 MOUNT ASSY
PY1180302-07 LAMP (FLICKER)
PY1230009-01 OIL COOLER INSTALLATION (HYDRAULIC)
PY1230010-04 OIL COOLER INSTALLATION (ELECTRIC)
PY1300002-04 COOLER,OIL (MOUNT)
PY1300003-00 COOLER,OIL
PY1300006-02 COOLER,OIL (ELECTRIC)
PY1510024-01 HOUR METER
PY1560009-00 ALARM SYSTEM (OVERRUN/OVER FRONT AREA)
PY1600003-04 CYLINDER,POLE PULLER
PY1600006-04 CYLINDER,POLE PULLER
PY1650088-01 EARTHING DEVICE
PY1840001-04 BREAKER (BR37)
PY1840002-04 BREAKER (BR45)
PY1840003-03 BREAKER (BR67)
PY1910000-03 HOSE (6M.210KG/CM2)
PY1910001-01 HOSE (6M.70KG/CM2)
PY1910002-01 HOSE (10M.70KG/CM2)
PY1910004-00 HOSE (15M.70KG/CM2)
PY1910005-02 HOSE (15M.210KG/CM2)
PY1910011-00 HOSE
PY1920000-00 CHAIN SAW (STANLEY)
PY2360004-01 PUMP,WATER (MOUNT)
PZ0000000-00 HARNESS

DT-720-1-40500 LOWER,ISUZU KK-NRR35G3XN

Pos No.	Parts No	Parts Name	Qty	Unit	Technical Data	Serial No (Start)	Serial No (End)	Remarks
1	32820640100	SUPPORT	1				390722	
	32820640200	SUPPORT	1			390723		
2	90171112025	BOLT	4		M12X25			
3	90302041201	WASHER,SPRING	4		12			
4	90172110035	BOLT,HEXAGON SOCKET	2		M10X35			
5	90302041001	WASHER,SPRING	2		10			
6	90303071001	WASHER,PLAIN	2		10			
7	90201401000	NUT	2		M10		390624	
	90201781000	NUT	2		M10	390625		
8	90171106020	BOLT	1		M6X20			
9	90302040601	WASHER,SPRING	1		6			
10	32811100020	SUPPORT	1					
11	32811100030	COUPLING	1					
12	37000913850	JOINT (WITH O-RING)	1		L,G3/4-G1/2		390722	
14	36651390000	PUMP,HYDRAULIC	1					
31	91002802400	O-RING	1		1B P24		390722	

DT-720-1-40500 LOWER,ISUZU KK-NRR35G3XN
PB5140007-00 BLOCK,WOOD



DT-720-1-40500 LOWER,ISUZU KK-NRR35G3XN

Pos No.	Parts No	Parts Name	Qty	Unit	Technical Data	Serial No (Start)	Serial No (End)	Re
4	91100104500	SEAL,RING	1					
21	91660003001	SEAL,DUST	1					
22	91694003000	PACKING	1					
23	91410203001	RING,BACKUP	1					
24	91002904000	O-RING	1		1B G40			
25	36040655100	COVER,ROD	1					
26	36040655200	CYLINDER	1					
27	36040655400	ROD	1					
28	36041030300	PISTON	1					
30	90302041801	WASHER,SPRING	1		18			
31	90209201800	NUT	1		M18			
41	36042169900	PACKING SET	1		30X45			
100	36040650000	CYLINDER,EXTENSION (FRONT)	1					

DT-720-1-40500 LOWER,ISUZU KK-NRR35G3XN

Pos No.	Parts No	Parts Name	Qty	Unit	Technical Data	Serial No (Start)	Serial No (End)	Remarks
1	32641990100	JOINT	1					
2	80302010160	FITTING	6		KCT12-030N			
3	37002409730	HOSE	9		L=475			
4	81408000160	PIPE,STEEL	4	M	12X1.4T			
5	81408000160	PIPE,STEEL	4	M	12X1.4T			
6	81408000160	PIPE,STEEL	4	M	12X1.4T			
8	81408000160	PIPE,STEEL	3	M	12X1.4T			
9	81408000160	PIPE,STEEL	3	M	12X1.4T			
10	81408000160	PIPE,STEEL	2	M	12X1.4T			
11	81408000160	PIPE,STEEL	2	M	12X1.4T			
12	81408000160	PIPE,STEEL	2	M	12X1.4T			
13	80302090161	FITTING	10		KCO12-030N			
14	91002801400	O-RING	10		1B P14			
15	80302090201	FITTING	2		KCO15-040N			
16	91002801800	O-RING	15		1B P18			
17	81408000160	PIPE,STEEL	1	M	12X1.4T			
18	80302090151	FITTING	4		KCO12-040N			
19	80400160130	JOINT	3		S,G1/2-G3/8			
20	80302090241	FITTING	2		KCO18-040N			
21	80302090281	FITTING	1		KCO22-060N			
22	91002802400	O-RING	3		1B P24			
23	80301010100	FITTING	11		KUA12-000N			
24	81408000160	PIPE,STEEL	1	M	12X1.4T			
25	81408000160	PIPE,STEEL	1	M	12X1.4T			
26	81408000160	PIPE,STEEL	2	M	12X1.4T			
27	81408000160	PIPE,STEEL	2	M	12X1.4T			
28	81408000160	PIPE,STEEL	2	M	12X1.4T			
29	81408000160	PIPE,STEEL	2	M	12X1.4T			
30	81408000290	PIPE,STEEL	1	M	22X2.5T			
31	81408000160	PIPE,STEEL	2	M	12X1.4T			
32	81408000160	PIPE,STEEL	2	M	12X1.4T			
33	81408000160	PIPE,STEEL	2	M	12X1.4T			
34	81408000160	PIPE,STEEL	2	M	12X1.4T			
35	81408000160	PIPE,STEEL	2	M	12X1.4T			
36	81408000160	PIPE,STEEL	2	M	12X1.4T			
37	81408000160	PIPE,STEEL	2	M	12X1.4T			
38	81408000160	PIPE,STEEL	2	M	12X1.4T			
39	32640220130	JOINT	1				390613	
40	80302010180	FITTING	3		KCT15-030N		390613	
	80302010180	FITTING	2		KCT15-030N	390614	390717	
	80302010180	FITTING	1		KCT15-030N	390718		
41	81408000241	PIPE,STEEL	1	M	18X1.9T			
42	81408000210	PIPE,STEEL	1	M	15X2.0T			
43	36683020000	METER,LOAD	1				390558	
	36684260000	METER,HOOK LOAD	1			390559		
44	80172304010	SCREW,MACHINE	3		M4X10			
45	90302040401	WASHER,SPRING	3		4			
46	37000908850	JOINT	1					
47	14115209000	PACKING	1					
48	80303030100	FITTING,ELBOW	1		KLN10-020N			
49	81408000130	PIPE,STEEL	3	M	10X1.8T			
50	80400160133	JOINT	2					
51	80302090322	FITTING	1		KCO28-080N			
52	91001102900	O-RING	1		1A P29			
53	37002504850	HOSE	1		L=450		390631	
	37002518620	HOSE	1		L=470	390632		
54	91801300530	CLIP	4		D=48-53		390580	
	91803600550	CLIP	4		D=40-55	390581		
55	32640220030	JOINT	1				390717	
56	90101208030	BOLT	2		M8X30		390717	
57	32640220040	JOINT	1				390717	
58	91001203500	O-RING	1		1A G35		390717	
59	36671080000	FILTER ASSY	1				390717	

DT-720-1-40500 LOWER,ISUZU KK-NRR35G3XN

Pos No.	Parts No	Parts Name	Qty	Unit	Technical Data	Serial No (Start)	Serial No (End)
1	37001920380	ROPE,WIRE (FOR RIGGING:12X2.5M)	1				

DT-720-1-40500 LOWER,ISUZU KK-NRR35G3XN

Pos No.	Parts No	Parts Name	Qty	Unit	Technical Data	Serial No (Start)	Serial No (End)	Remarks	Pages
24	82182809623	DIODE	1						
50	32430452100	HARNESS	1						

DT-720-1-40500 LOWER,ISUZU KK-NRR35G3XN

Pos No.	Parts No	Parts Name	Qty	Unit	Technical Data	Serial No (Start)	Serial No (End)	Remarks	Pages
3	82100001658	SWITCH,PUSH	1						
5	82100000895	SWITCH,TOGGLE	1						
6	82100000897	SWITCH,TOGGLE	1						
7	82105220256	SWITCH,TOGGLE	1						
19	82105220286	SWITCH,TOGGLE	1						
21	82100001839	FUSE	1		10A.RED	390659			
100	32430453200	HARNESS	1						

DT-720-1-40500 LOWER,ISUZU KK-NRR35G3XN

Pos No.	Parts No	Parts Name	Qty	Unit	Technical Data	Serial No (Start)	Serial No (End)	Remarks	Pages
100	32731960010	HARNESS	1						

DT-720-1-40500 LOWER,ISUZU KK-NRR35G3XN

Pos No.	Parts No	Parts Name	Qty	Unit	Technical Data	Serial No (Start)	Serial No (End)	Remarks
1	37002457440	HOSE	1		L=3600			
2	80430410850	JOINT	2					
3	91810130230	FASTENER	2					
4	80456010810	JOINT,SELF SEALING	1					
5	80456020810	JOINT,SELF SEALING	1					
10	32732070001	HOSE ASSY (FOR TANK)	1		3.6M			

DT-720-1-40500 LOWER,ISUZU KK-NRR35G3XN

Pos No.	Parts No	Parts Name	Qty	Unit	Technical Data	Serial No (Start)	Serial No (End)	Remarks
1	36640315010	VALVE,SOLENOID	1					
2	36640315020	PLATE	1					
3	90131506035	BOLT,HEXAGON SOCKET	4		M6X35			
4	80316030080	PLUG	1		PT1/2			
10	36640310000	VALVE,SOLENOID	1					
12	36640165010	COVER (A)	1					
13	19045104110	COVER (B)	1					
15	19045104120	RETAINER	2					
16	19045110030	PIN	1					
17	36640165020	SPRING	1					
18	36640165050	GUIDE KIT	1					
22	36640375010	NUT	1					
24	36640315040	COIL KIT	1					
25	36640255040	CONNECTOR	1					
26	36640165040	PACKING	1					
27	90131506015	BOLT,HEXAGON SOCKET	8		M6X15			
28	80316030020	PLUG	1		PT1/8			
29	91001100300	O-RING	1		1A P3			
30	91002801200	O-RING	5		1B P12			
31	91002102800	O-RING	3		1B P28			
32	91001203000	O-RING	1		1A G30			
35	36640315030	SPRING	1					
36	90131504008	BOLT,HEXAGON SOCKET	1		M4X8			

DT-720-1-40500 LOWER,ISUZU KK-NRR35G3XN

Pos No.	Parts No	Parts Name	Qty	Unit	Technical Data	Serial No (Start)	Serial No (End)	Remarks	Pages
2	36620405010	VALVE ASSY	1				390703		
34	36620405020	VALVE ASSY	1			390704			
100	36620400000	VALVE,CHECK	1						

CLICK HERE TO **DOWNLOAD** THE COMPLETE MANUAL

- Thank you very much for reading the preview of the manual.
- You can download the complete manual from: www.heydownloads.com by clicking the link below



- Please note: If there is no response to CLICKING the link, please download this PDF first and then click on it.

CLICK HERE TO **DOWNLOAD** THE COMPLETE MANUAL

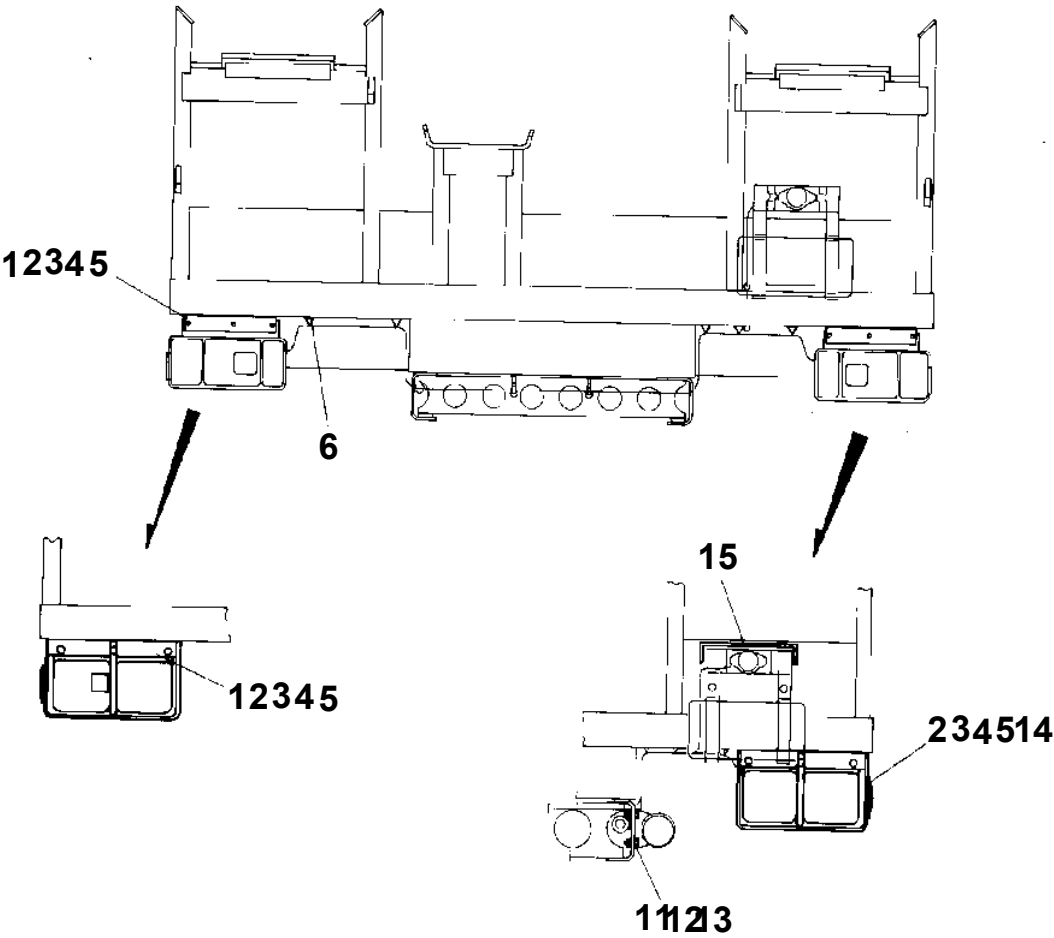
DT-720-1-40500 LOWER,ISUZU KK-NRR35G3XN

Pos No.	Parts No	Parts Name	Qty	Unit	Technical Data	Serial No (Start)	Serial No (End)	Remarks	Pages
1	32620080020	FRAME	1						
2	32620070110	CUSHION	2						
6	90201201000	NUT	4		M10				
7	90302041001	WASHER,SPRING	4		10				

DT-720-1-40500 LOWER,ISUZU KK-NRR35G3XN

Pos No.	Parts No	Parts Name	Qty	Unit	Technical Data	Serial No (Start)	Serial No (End)	Remarks	Pages
1	32710000010	PEDAL	1						
2	32710000020	ROD	1						
3	32710000030	LEVER	1						
5	90303071001	WASHER,PLAIN	2		10				
6	80136320018	PIN,SPLIT	2		2X18				
7	37000104920	PIN	1						
8	90303071201	WASHER,PLAIN	4		12				
9	80136332025	PIN,SPLIT	2		3.2X25				
10	90201200800	NUT	1		M8				
11	90303070801	WASHER,PLAIN	2		8				
12	90203201200	NUT	2		M12				
13	90309331201	WASHER	2		L12				
14	32710000050	SUPPORT	1						
15	16314010000	SPRING	1						
16	90102210050	BOLT	1		M10X50				
17	90201201000	NUT	2		M10				
18	82400000218	GROMMET	1						
19	37000530590	PLATE	1		T=3				
22	90102210060	BOLT	1		M10X60				
23	31320020010	KNOB (BLACK)	1						
25	37000400510	BEARING,PLAIN	2						

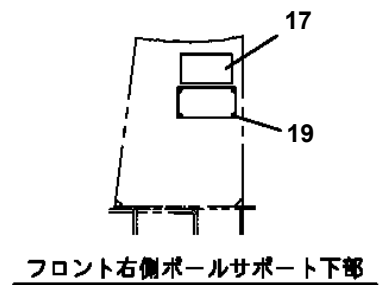
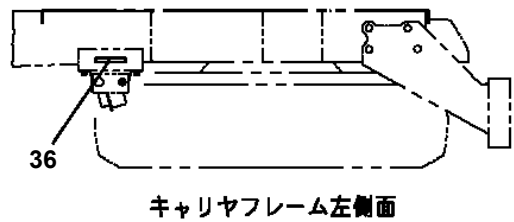
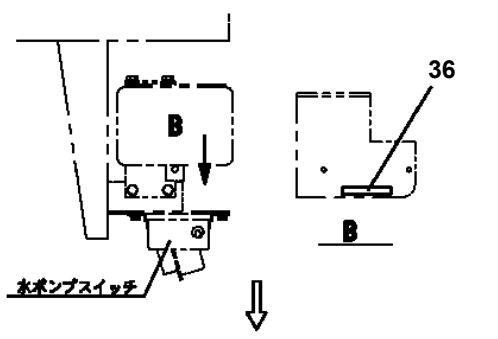
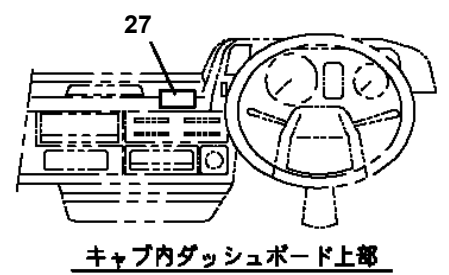
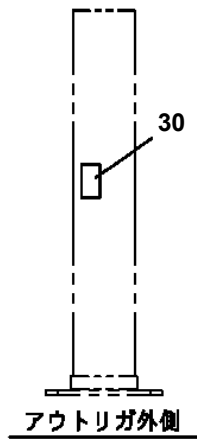
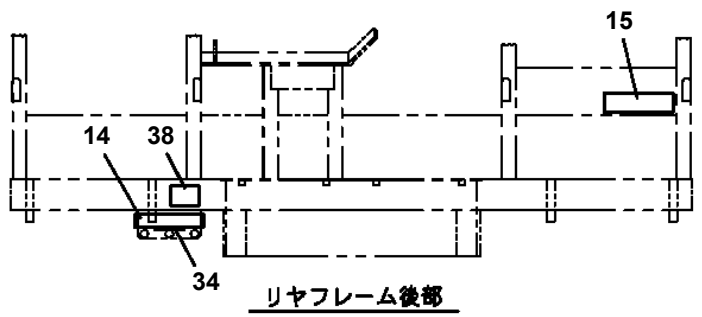
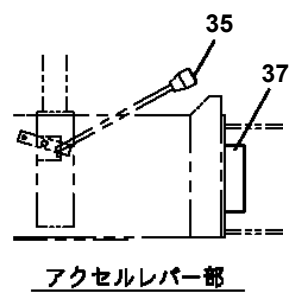
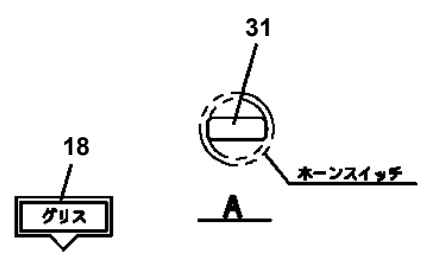
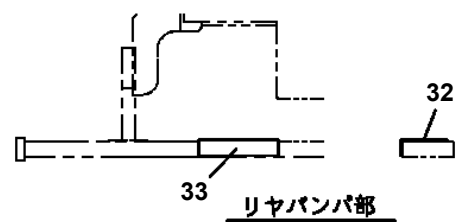
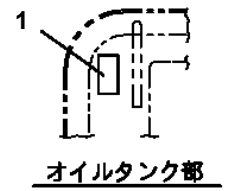
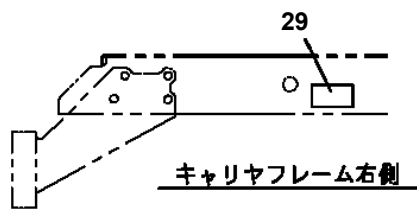
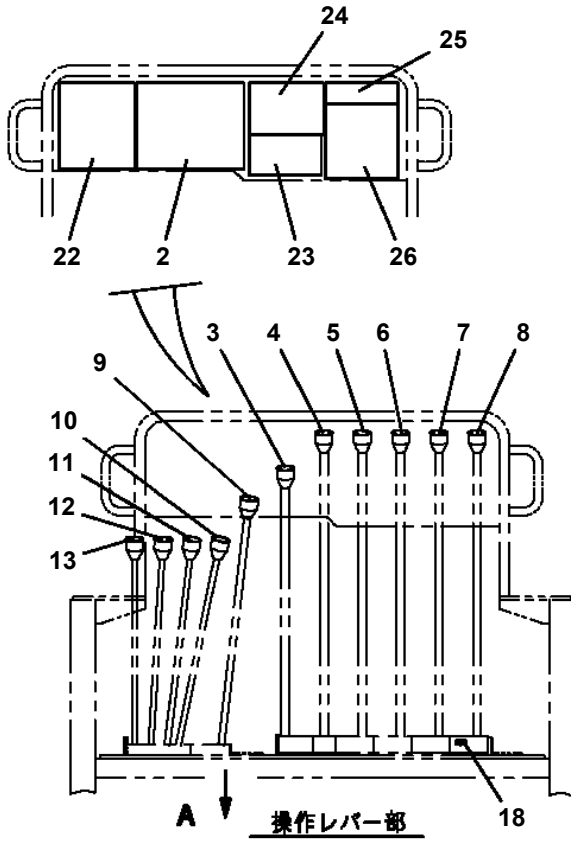
**DT-720-1-40500 LOWER,ISUZU KK-NRR35G3XN
PN1010920-00 ELEC.ASSY (TAIL LAMP)**



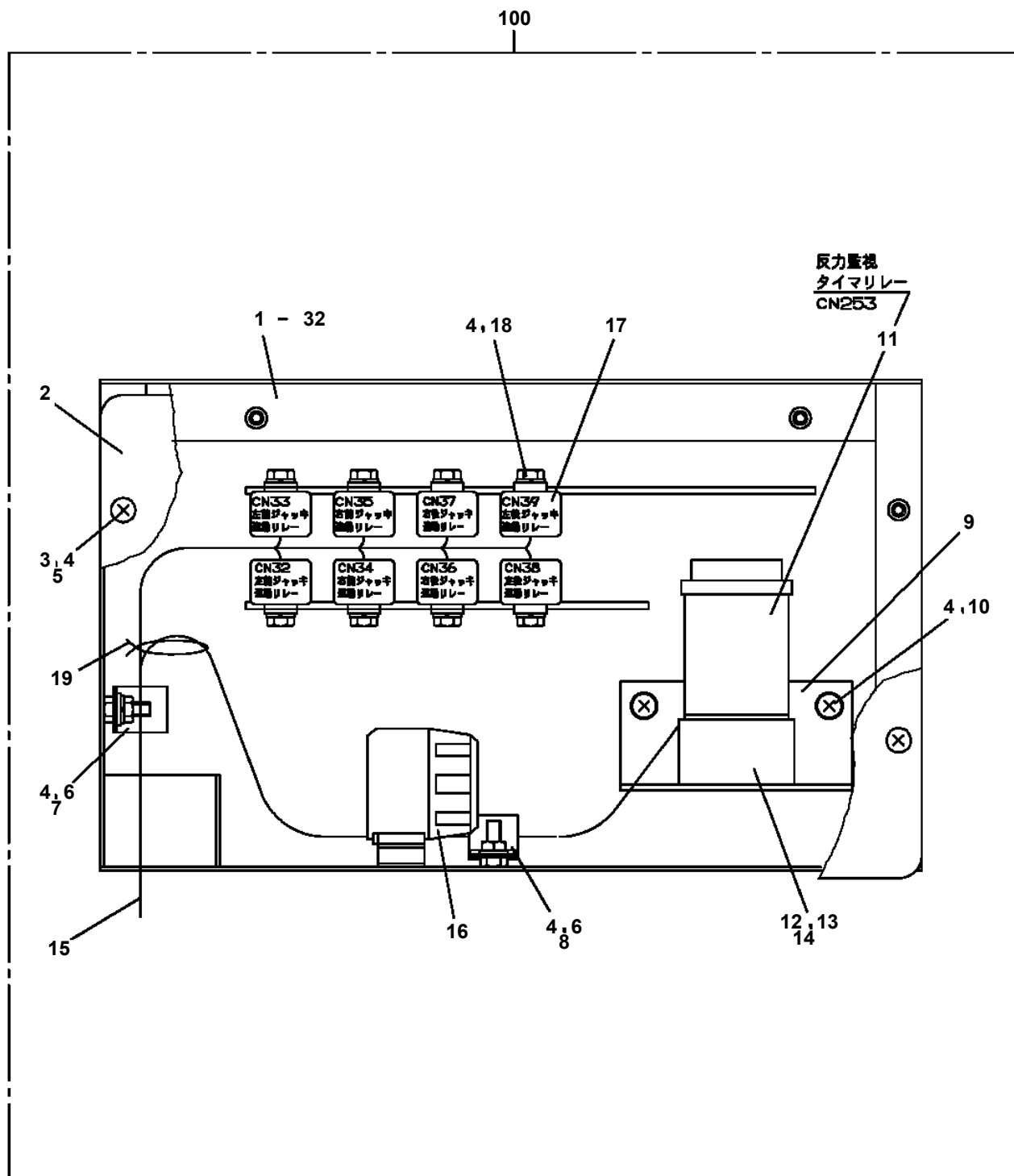
DT-720-1-40500 LOWER,ISUZU KK-NRR35G3XN

Pos No.	Parts No	Parts Name	Qty	Unit	Technical Data	Serial No (Start)	Serial No (End)	Remarks
1	32430422100	COVER	1					
2	32430422200	SUPPORT	1					
3	32430422300	HARNESS	1					
4	32430422400	PLATE,NAME	1					
5	82100002004	CLAMP	1		WR8			
6	82100000665	CAP (BLACK)	3					
7	90101206012	BOLT	5		M6X12			
8	90302040601	WASHER,SPRING	5		6			
9	82100002851	RELAY	1					
10	90201200600	NUT	1		M6			
11	42940100030	PLATE,NAME (PLUG)	1					
12	32430422500	GUARD	2					
13	90201200500	NUT	8		M5			
14	90302040501	WASHER,SPRING	4		5			
15	42801710200	LAMP ASSY (RED)	1					
16	32430422600	PLATE,NAME	1					
17	32430422700	PLATE,NAME	1					
18	32430422800	PLATE,NAME	1					
19	82100001694	COVER (RUBBER/BLACK)	1					
20	90303070601	WASHER,PLAIN	3		6			
100	32430422000	SWITCH PANEL	1					

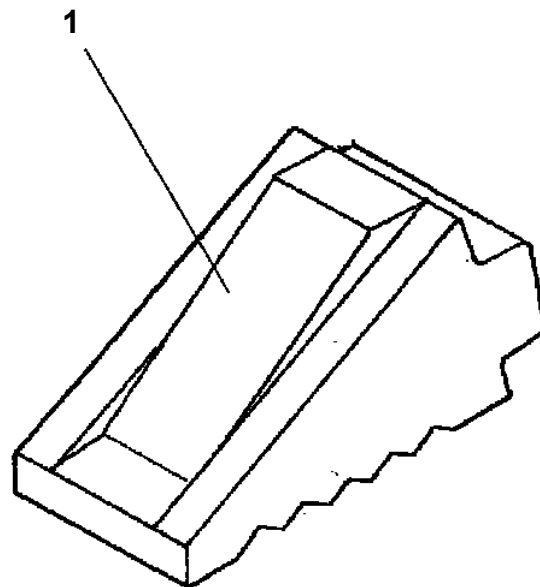
DT-720-1-40500 LOWER, ISUZU KK-NRR35G3XN
 PO1013691-03 PLATE ASSY, NAME (CRANE)



DT-720-1-40500 LOWER,ISUZU KK-NRR35G3XN
PR5090120-00 RELAY ASSY

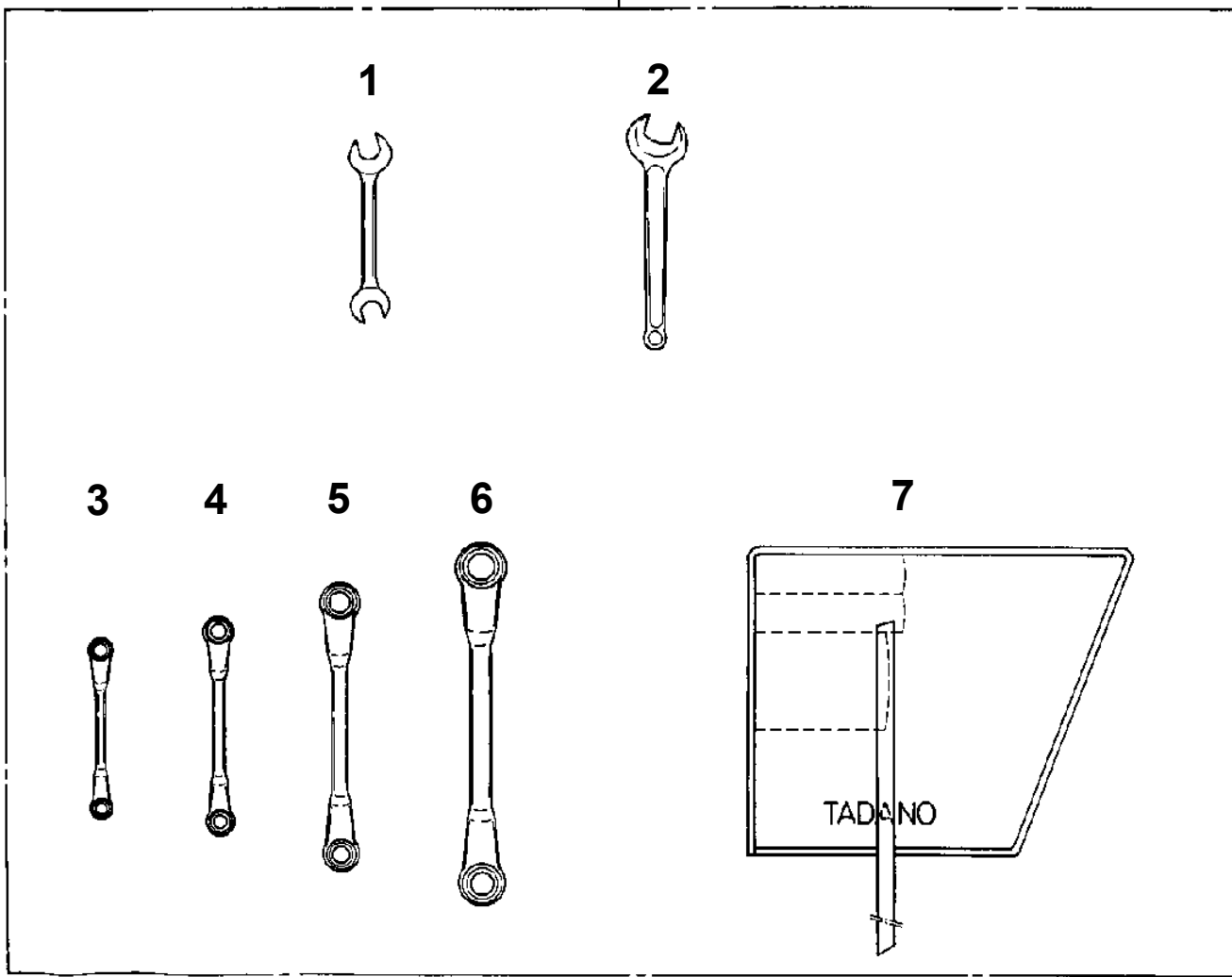


**DT-720-1-40500 LOWER,ISUZU KK-NRR35G3XN
PS5380006-00 STOPPER**

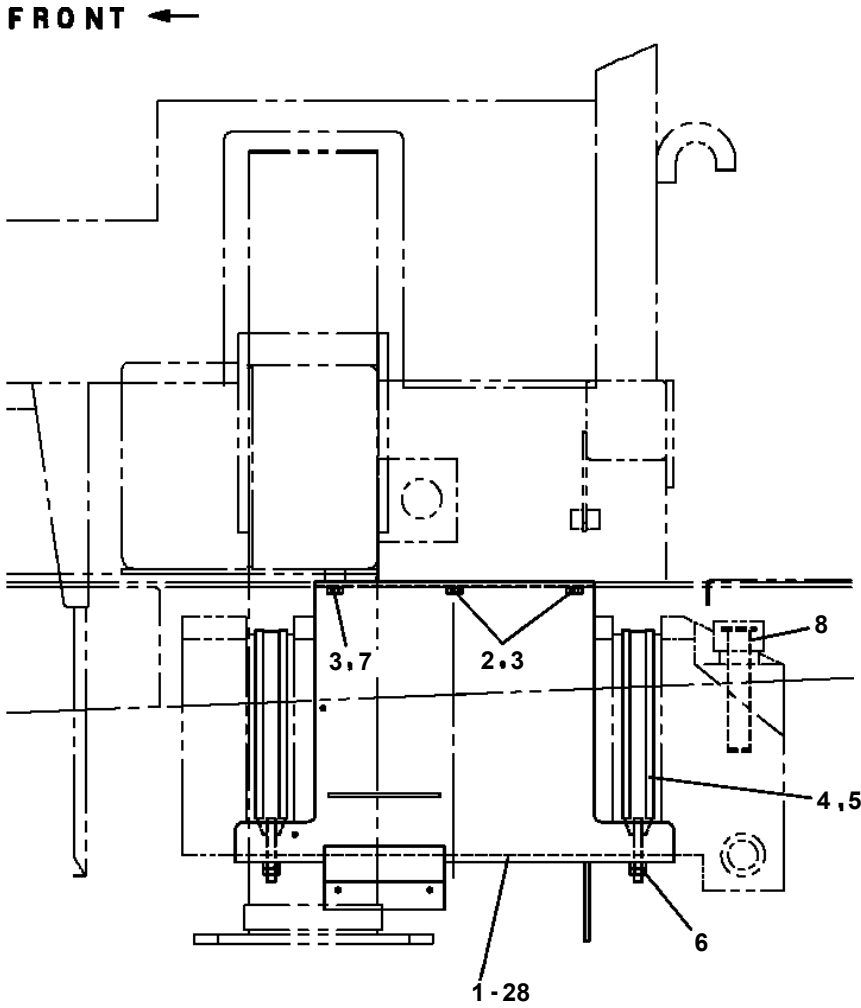


DT-720-1-40500 LOWER, ISUZU KK-NRR35G3XN
PW1030013-01 TOOLS

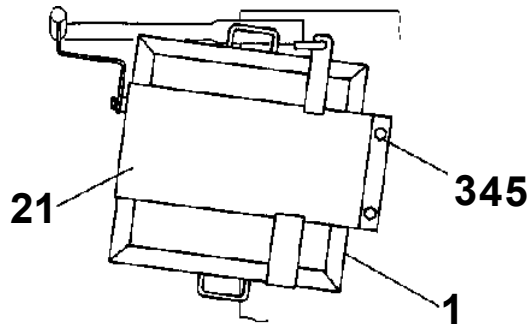
50



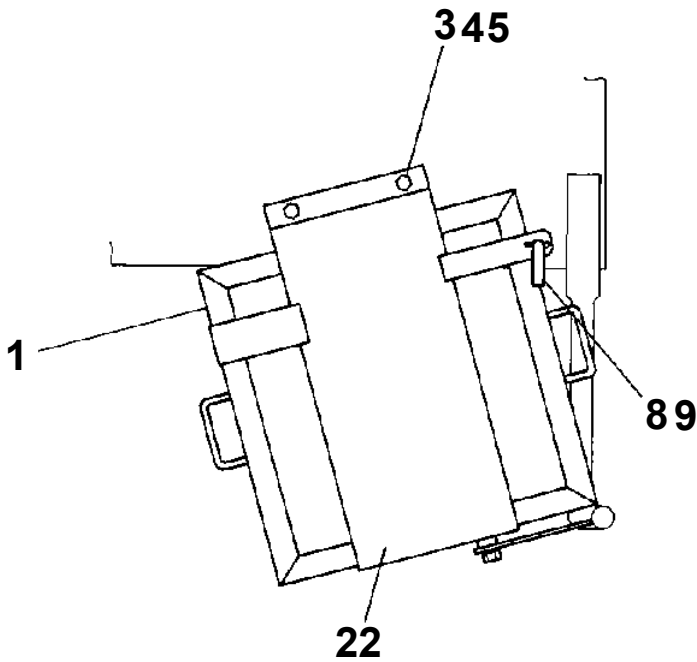
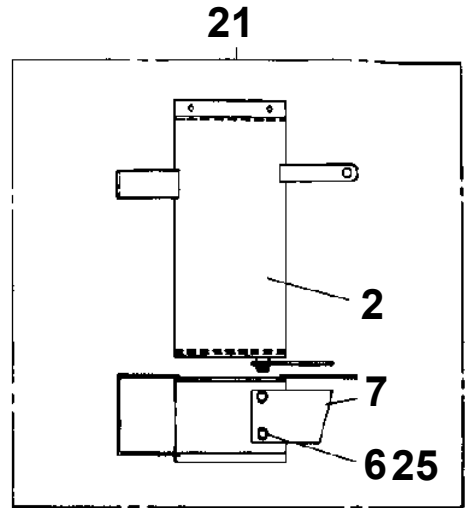
**DT-720-1-40500 LOWER,ISUZU KK-NRR35G3XN
PX1100257-00 TANK SUPPORT (REAR)**



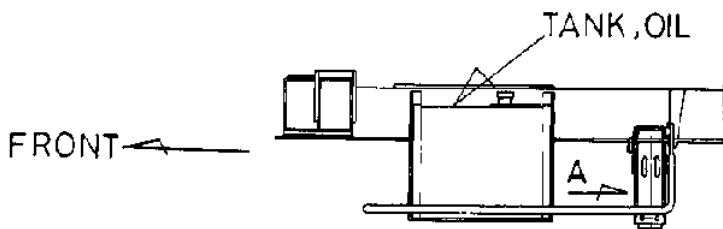
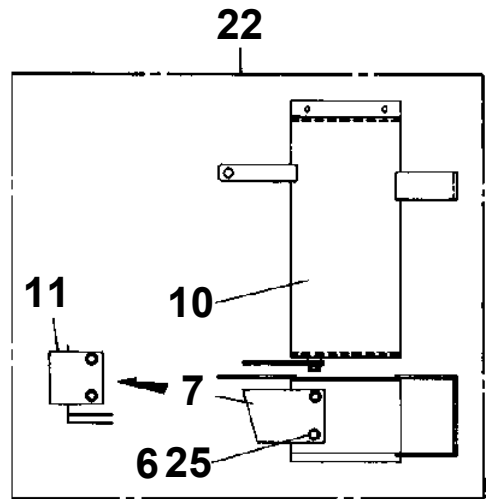
**DT-720-1-40500 LOWER, ISUZU KK-NRR35G3XN
PX1270021-02 WOOD BLOCK INSTALLATION**



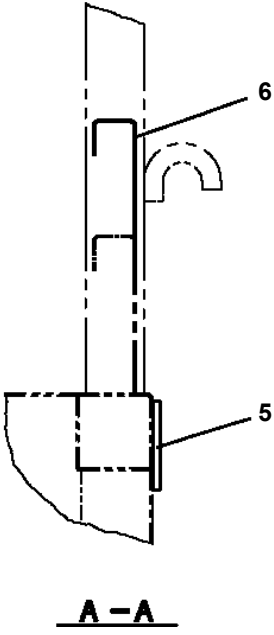
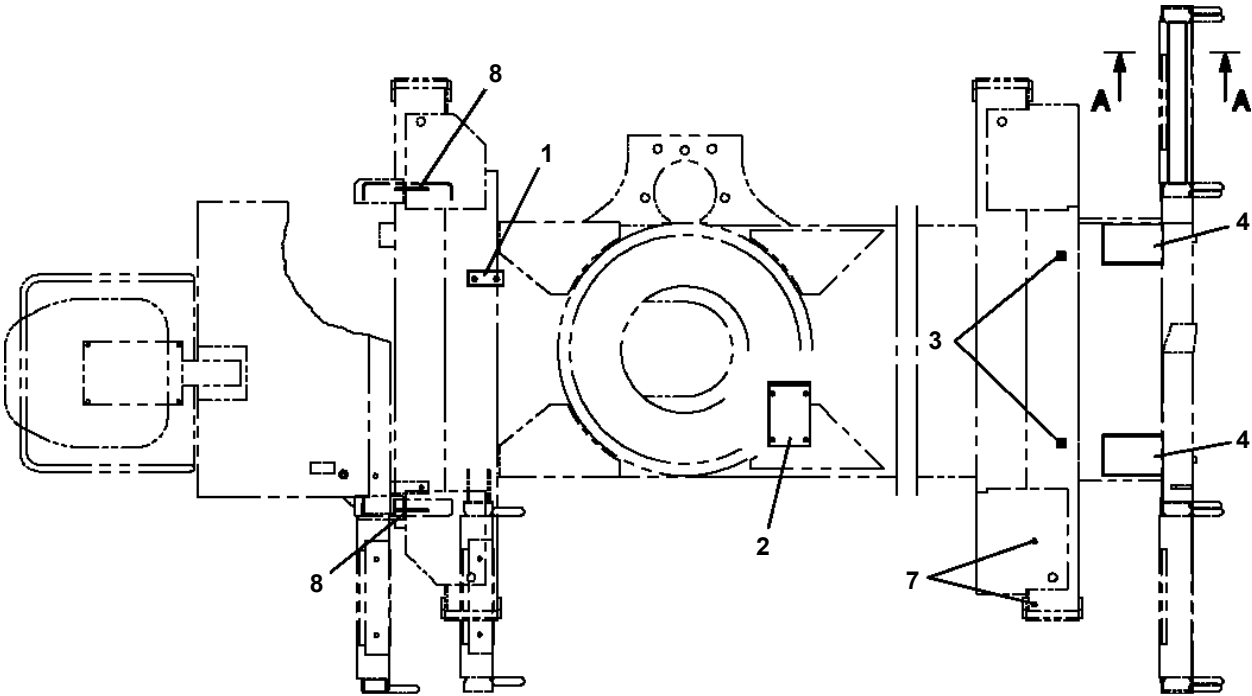
(RIGHT)



VIEW A (LEFT)



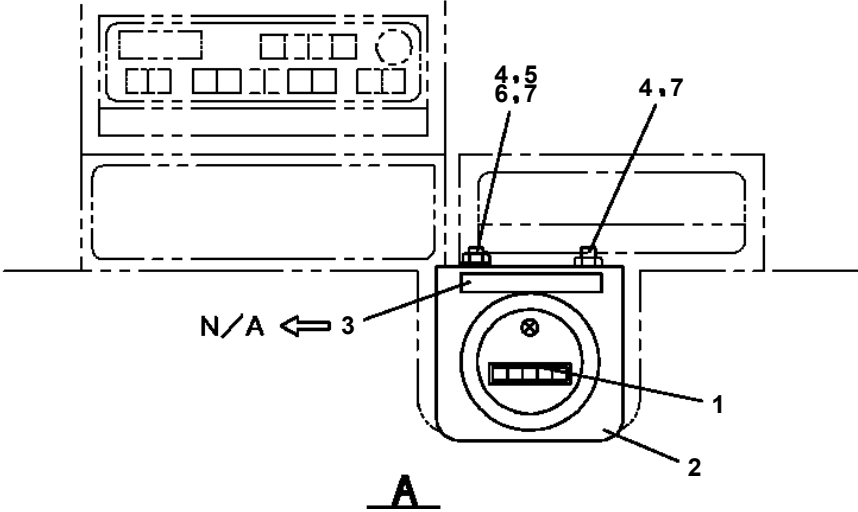
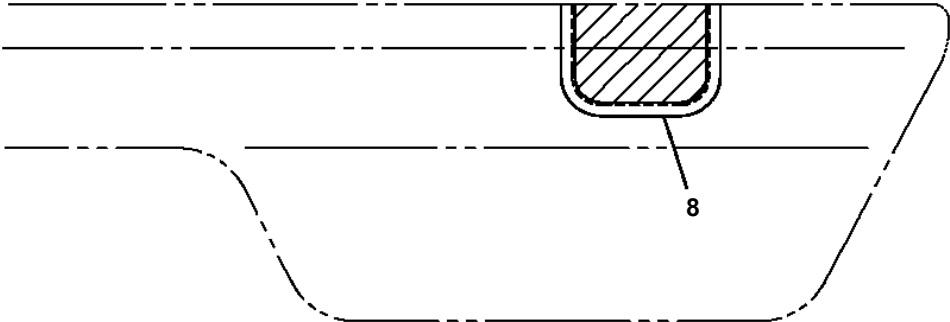
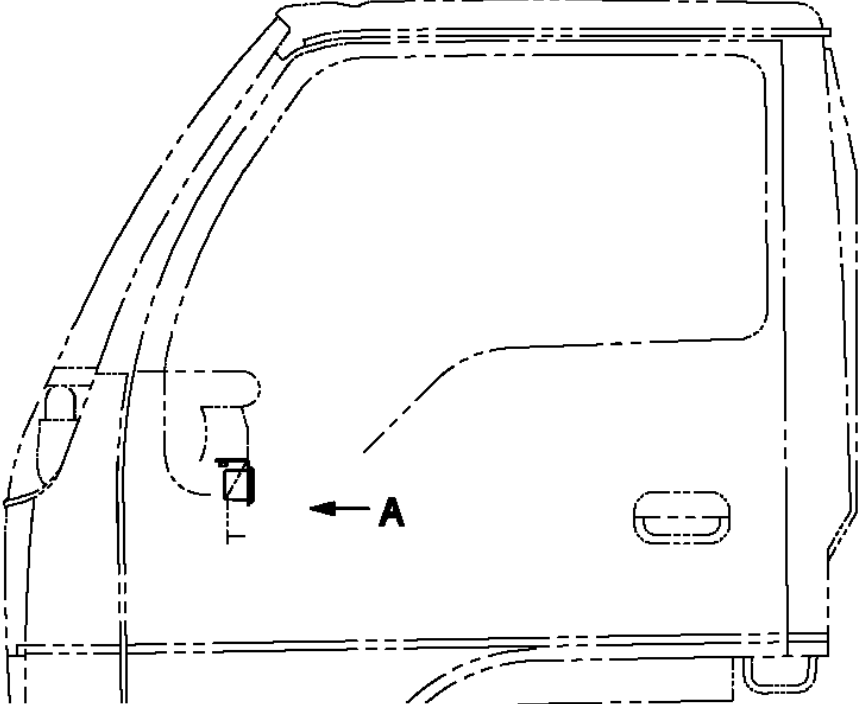
**DT-720-1-40500 LOWER,ISUZU KK-NRR35G3XN
PX1940030-01 MOUNT(FRAME)**



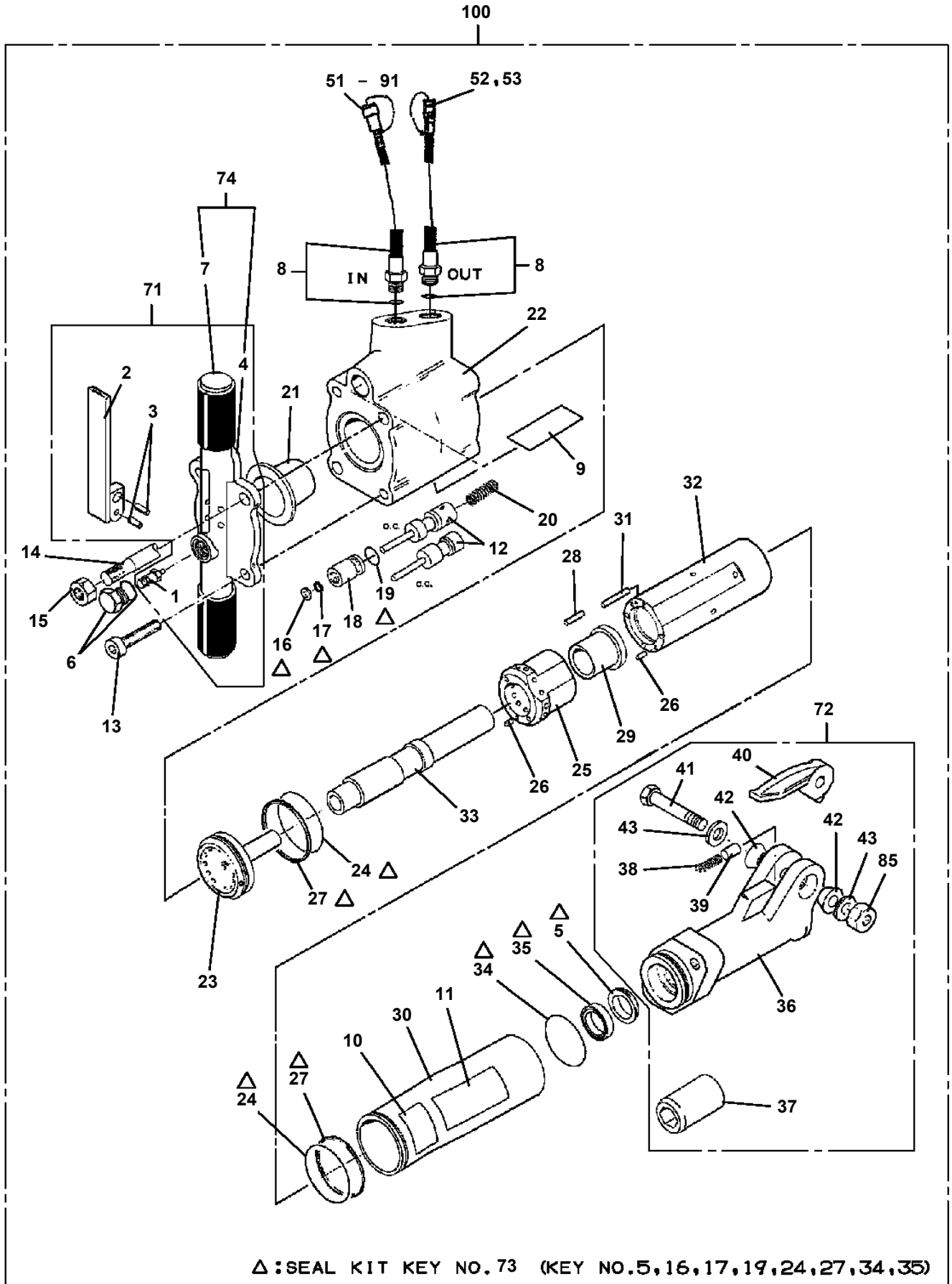
DT-720-1-40500 LOWER,ISUZU KK-NRR35G3XN

Pos No.	Parts No	Parts Name	Qty	Unit	Technical Data	Serial No (Start)	Serial No
1	36651610000	PUMP,HYDRAULIC	1				
2	80430620800	JOINT	1				
3	91002803800	O-RING	4		1B P38		
4	37002428060	HOSE	1		L=2800		
5	37000710090	CLAMP ASSY	3		25		
6	32730450010	JOINT	1				
7	80305050130	FITTING,TEE	2				
8	81408000210	PIPE,STEEL	1	M	15X2.0T		
9	80302010180	FITTING	1		KCT15-030N		
10	36601080000	VALVE,RELIEF	1				
11	90101206060	BOLT	2		M6X60		
12	90201200600	NUT	2		M6		
13	90302040601	WASHER,SPRING	2		6		
14	90303070601	WASHER,PLAIN	2		6		
15	80303030180	FITTING,ELBOW	3		KLN15-030N		
16	81408000210	PIPE,STEEL	1	M	15X2.0T		
17	37000913630	JOINT	1				
18	42340013100	JOINT	1				
19	37002426270	HOSE	1		L=550		
20	80430450450	JOINT	1		YL502		
21	80302010200	FITTING	1		KCT15-040N		
22	81408000210	PIPE,STEEL	1	M	15X2.0T		
23	42340240370	JOINT	1		RT,R1/2-R1/2-R3/8		
24	80315020180	JOINT,BUSHING	1				
25	36671020000	FILTER,OIL	1				
26	80306030100	JOINT,NIPPLE	1				
27	37000910600	JOINT	1				
28	37002415800	HOSE	1		L=750		
29	37002415640	HOSE	1		L=425		
30	37000910760	JOINT	1				
31	80430450650	JOINT	1				
32	36640310000	VALVE,SOLENOID	1				
33	(*****)	COOLER,OIL (MOUNT)	1				
34	32730450020	SUPPORT	1				
35	90101210030	BOLT	10		M10X30		
36	90302041001	WASHER,SPRING	12		10		
37	90303071001	WASHER,PLAIN	12		10		
38	32730450030	SUPPORT	1				
39	32730450040	SUPPORT	1				
40	32730450050	JOINT	2				
41	91801300530	CLIP	8		D=48-53		
42	37002503090	HOSE	1		L=1000		
43	37002505090	HOSE	1		L=670		
45	36620400000	VALVE,CHECK	1				
46	32730450070	JOINT	1				
47	90101210045	BOLT	2		M10X45		
48	90201201000	NUT	2		M10		
51	32730450090	SUPPORT	1				
53	(*****)	ELEC.ASSY (OP.,OIL COOLER	1				
54	80302090322	FITTING	1		KCO28-080N		
55	37000707810	CLAMP ASSY	1		18		
56	32730450100	SHAFT	1				
57	(*****)	OPE.ASSY,ACCELERATOR (OPTION,OIL)	1				
58	32730450110	JOINT	1				
59	81408000210	PIPE,STEEL	1	M	15X2.0T		
64	32730450120	JOINT	1				
71	91002801800	O-RING	1		1B P18		

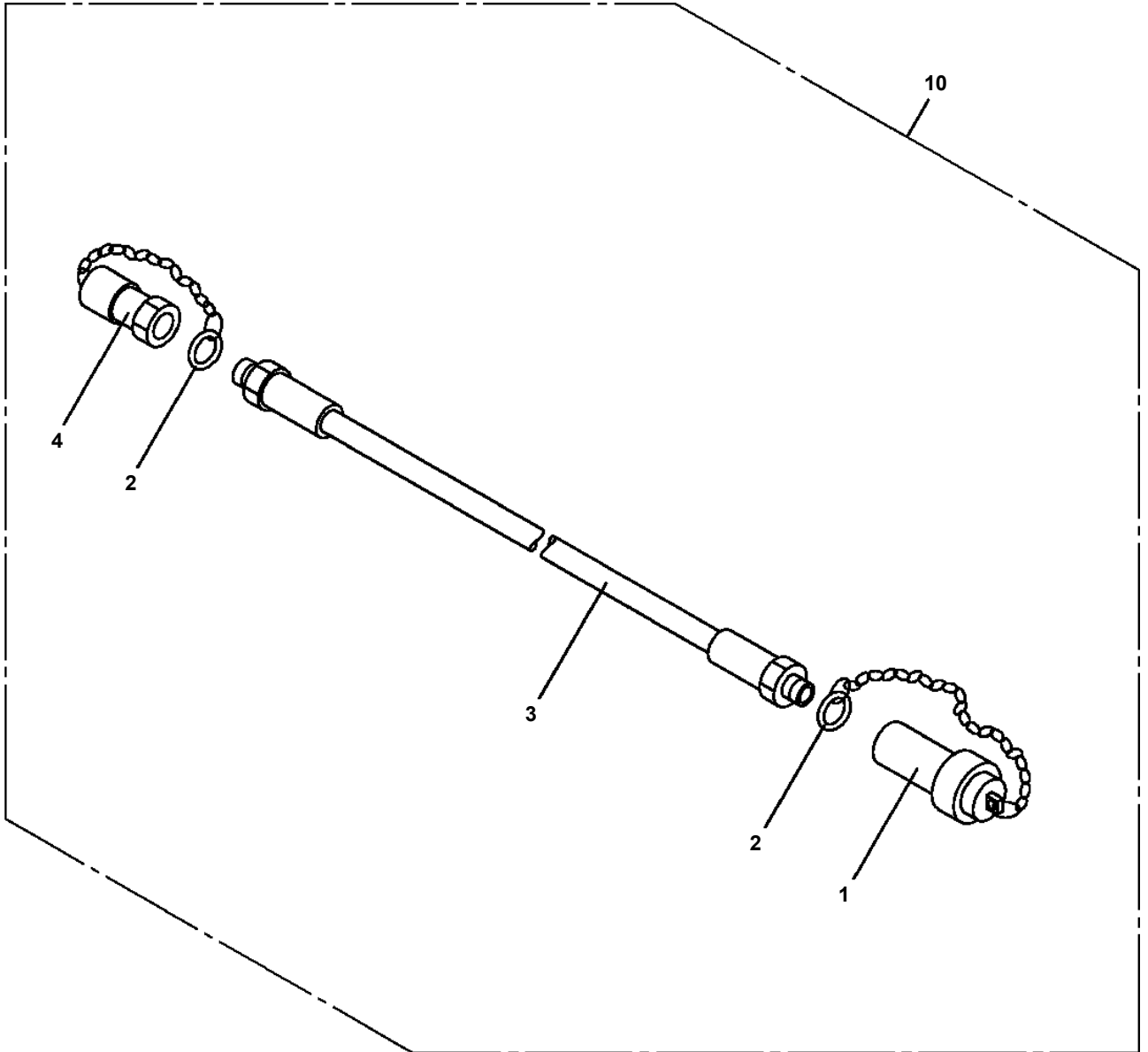
DT-720-1-40500 LOWER, ISUZU KK-NRR35G3XN
PY1510024-01 HOUR METER



**DT-720-1-40500 LOWER,ISUZU KK-NRR35G3XN
PY1840001-04 BREAKER (BR37)**



**DT-720-1-40500 LOWER,ISUZU KK-NRR35G3XN
PY1910002-01 HOSE (10M.70KG/CM2)**



CLICK HERE TO **DOWNLOAD** THE COMPLETE MANUAL

- Thank you very much for reading the preview of the manual.
- You can download the complete manual from: www.heydownloads.com by clicking the link below



- Please note: If there is no response to CLICKING the link, please download this PDF first and then click on it.

CLICK HERE TO **DOWNLOAD** THE COMPLETE MANUAL