

DT-700-1-41400 LOWER,ISUZU KC-FRR33G2

PX1000282-02 MOUNTING PARTS

PY1000574-00 OPTIONS

ASSEMBLY

CLICK HERE TO **DOWNLOAD** THE COMPLETE MANUAL

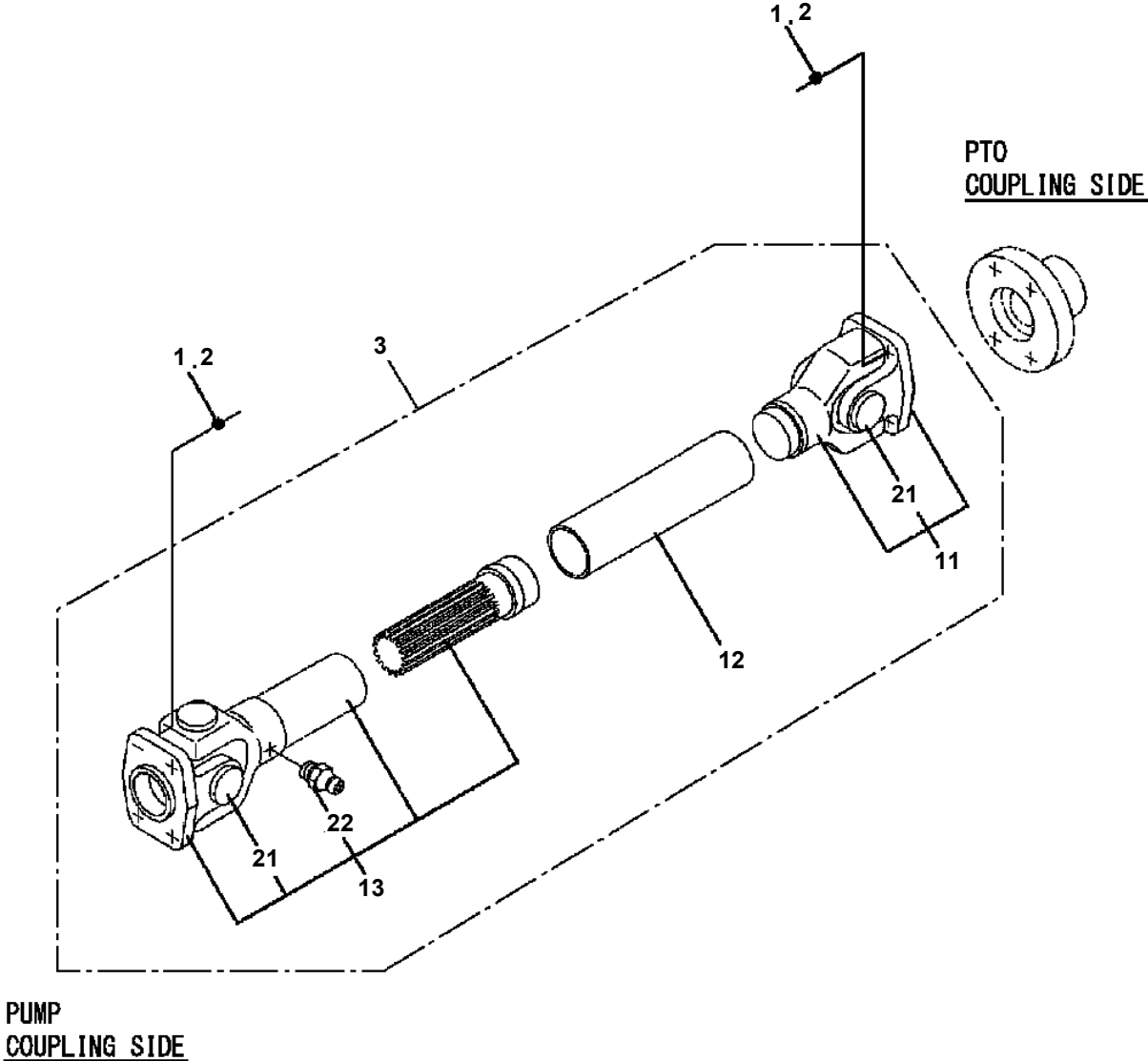
- Thank you very much for reading the preview of the manual.
- You can download the complete manual from: www.heydownloads.com by clicking the link below



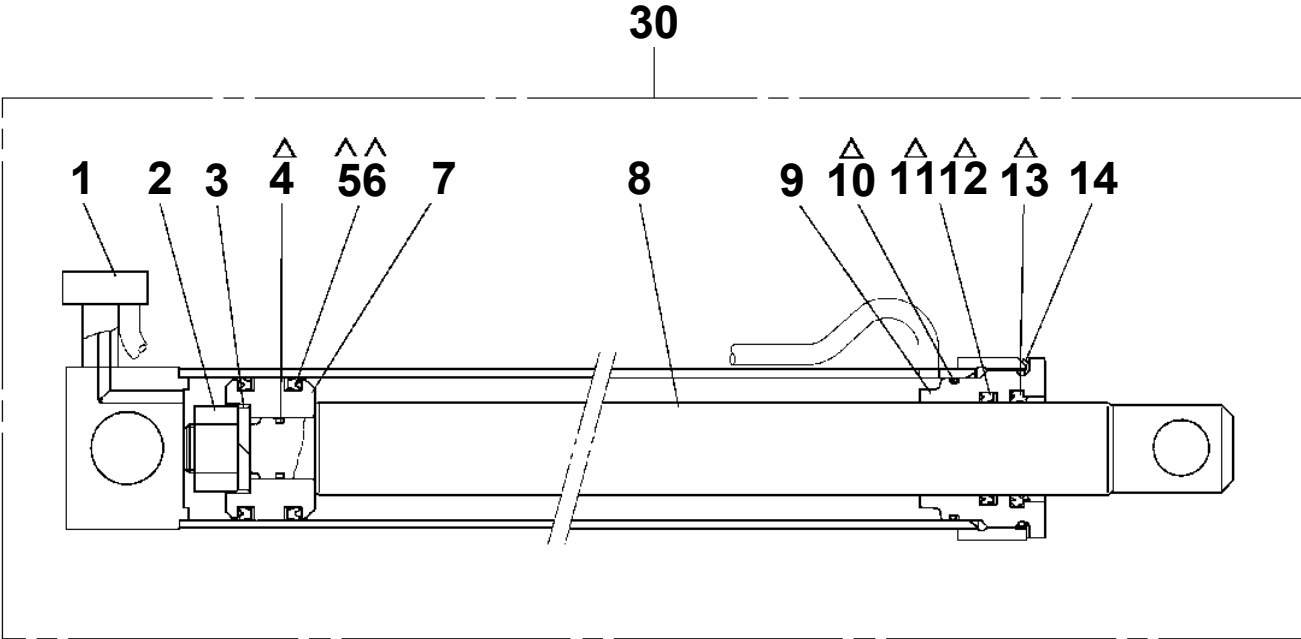
- Please note: If there is no response to CLICKING the link, please download this PDF first and then click on it.

CLICK HERE TO **DOWNLOAD** THE COMPLETE MANUAL

**DT-700-1-41400 LOWER,ISUZU KC-FRR33G2
PB1070022-02 PROPELLER SHAFT,PUMP**

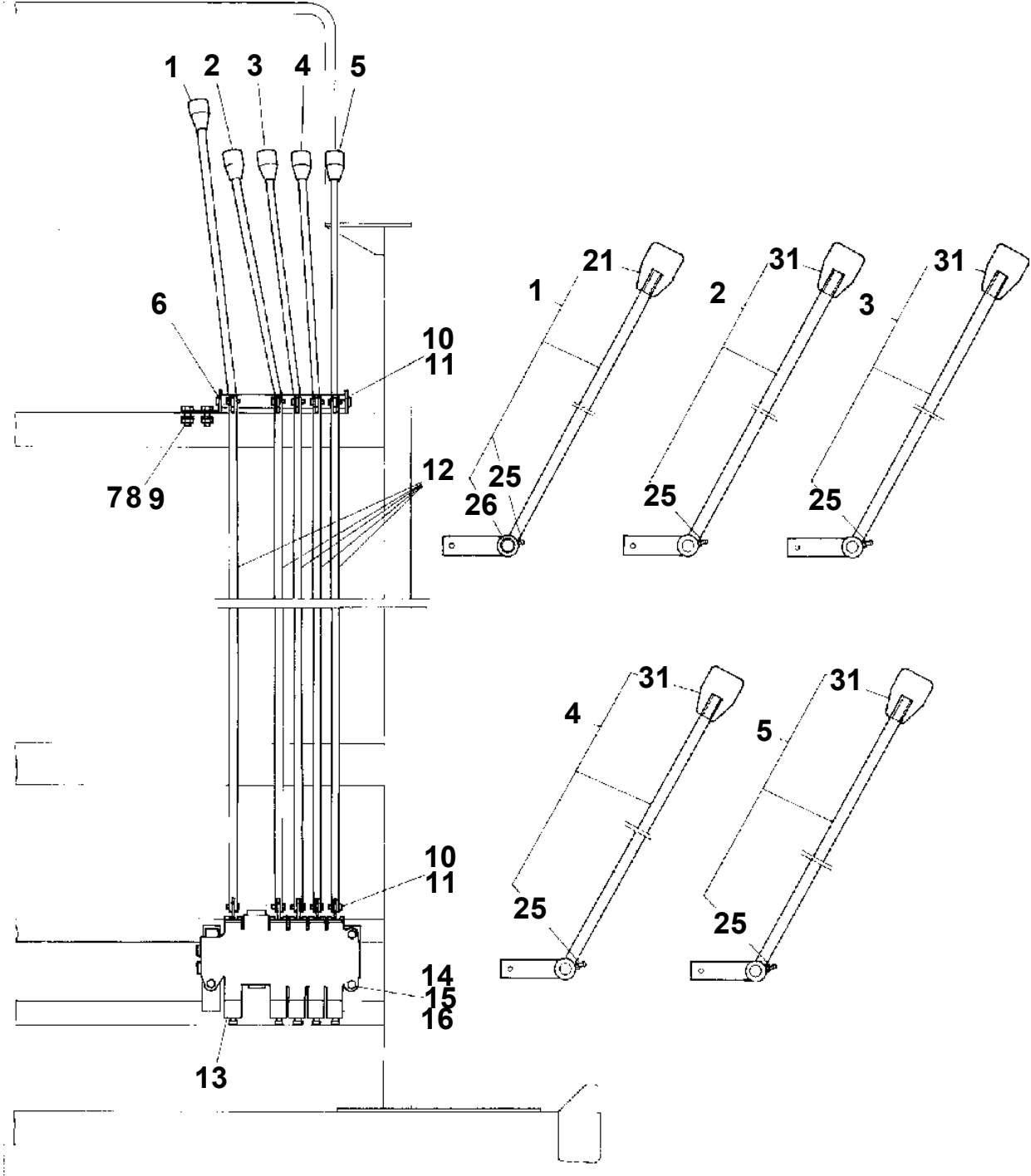


**DT-700-1-41400 LOWER,ISUZU KC-FRR33G2
PC1030024-01 CYLINDER,JACK**

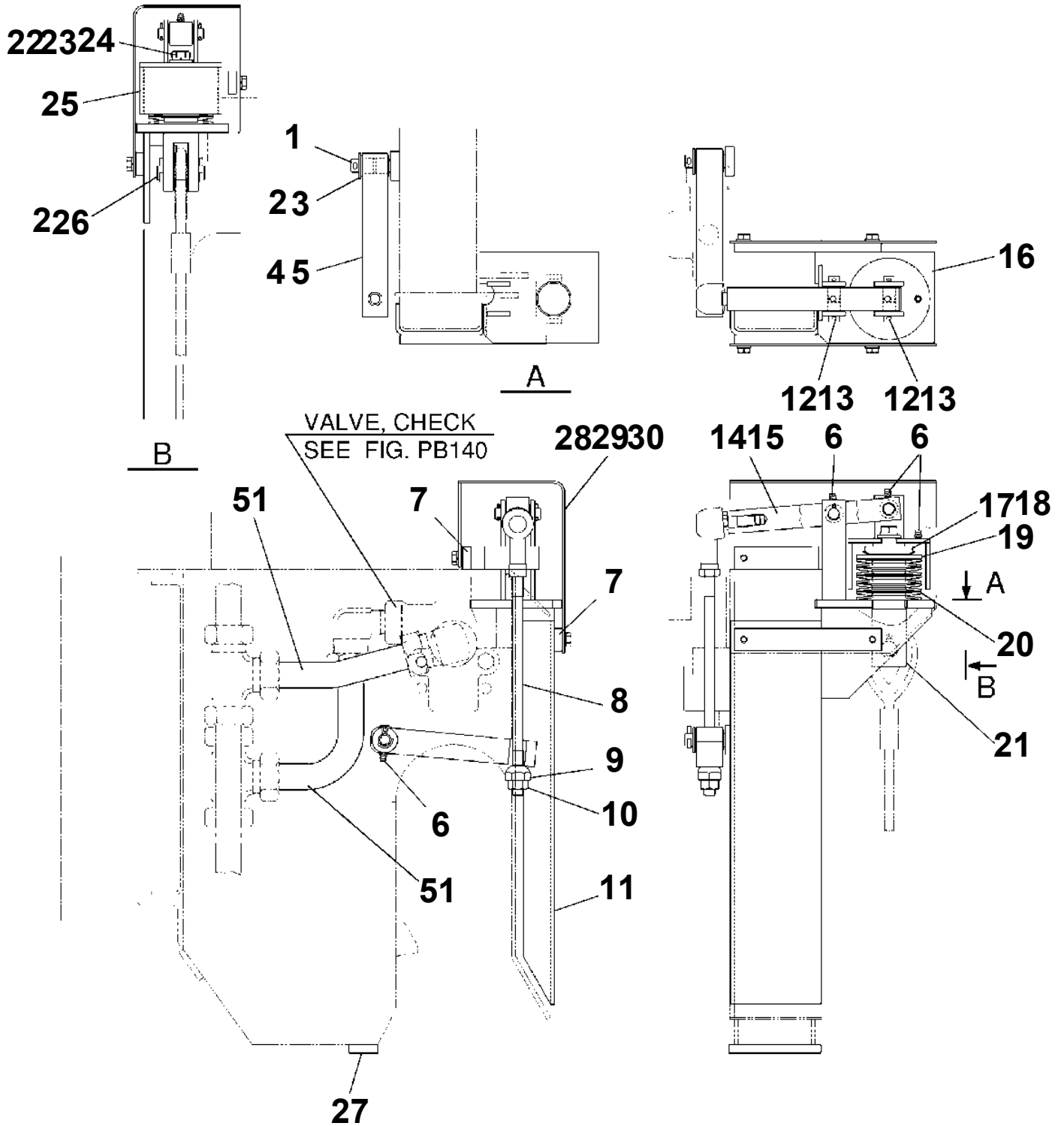


Δ : PACKING SET KEY NC51 (KEY NO. 4,5,6,10,11,12,13)

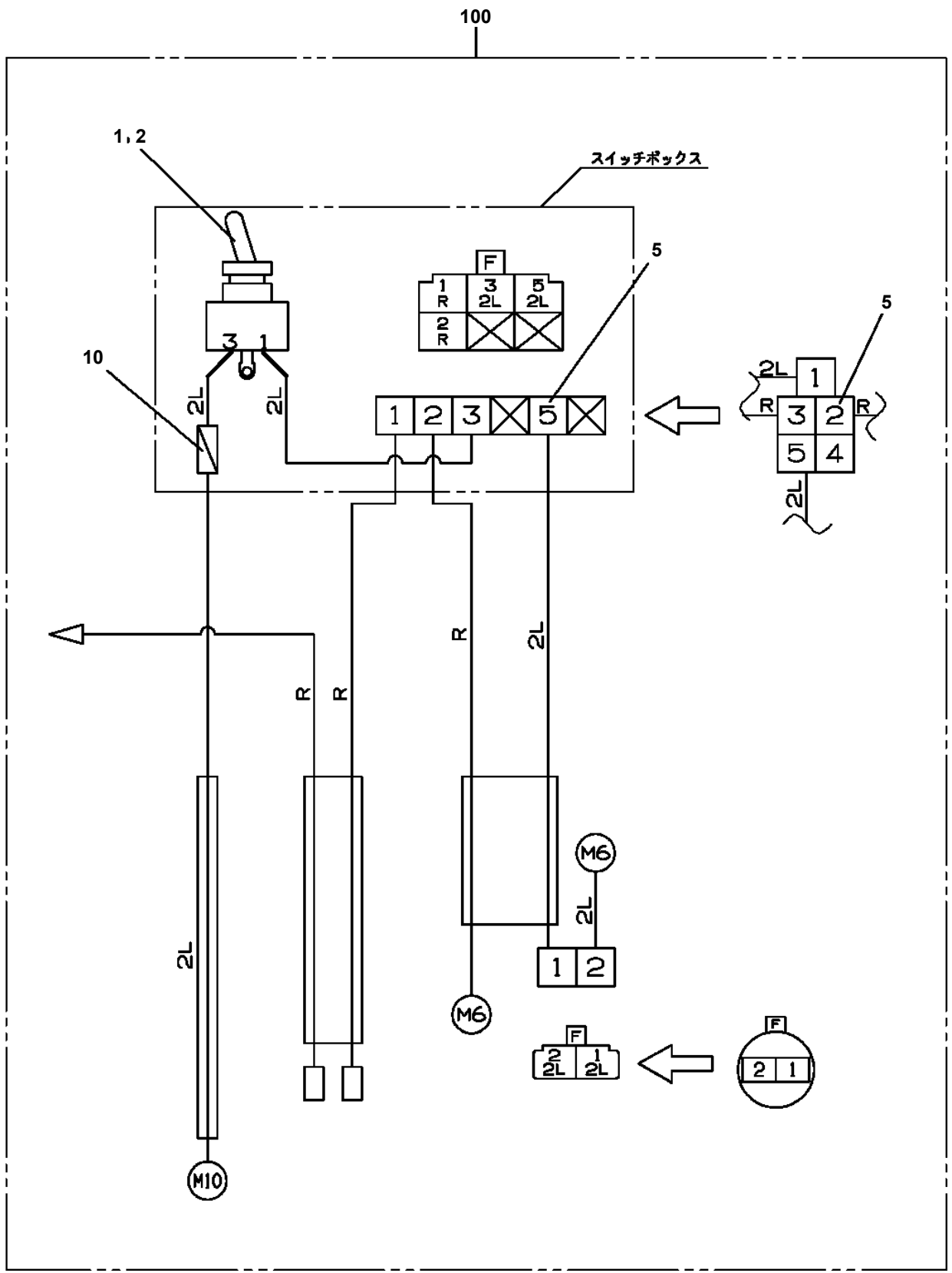
**DT-700-1-41400 LOWER, ISUZU KC-FRR33G2
PC1100029-01 OPERATION SYSTEM, OUTRIGGER**



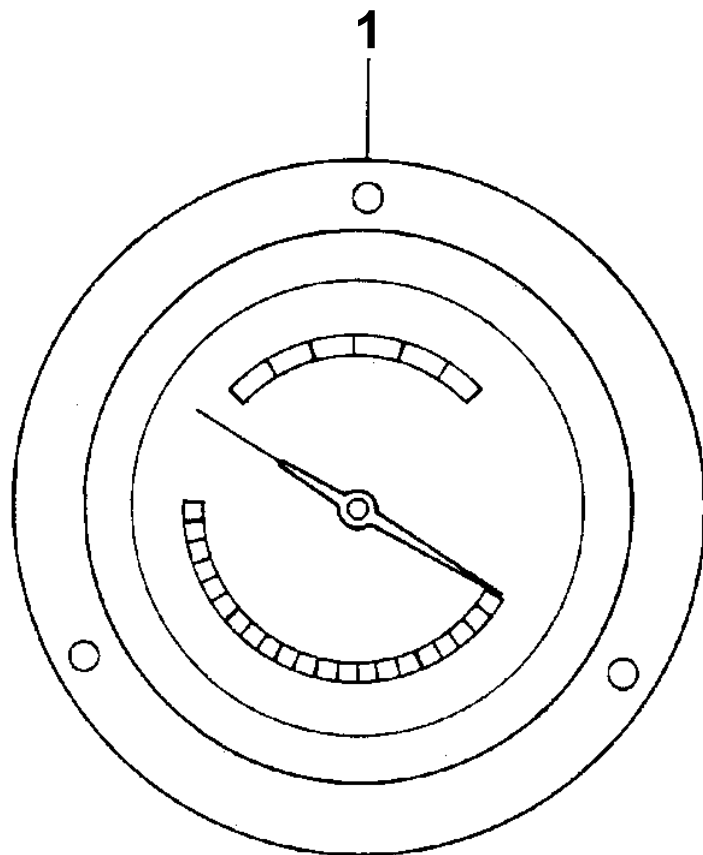
**DT-700-1-41400 LOWER, ISUZU KC-FRR33G2
PH1060389-00 DETECTOR, OVERWIND**



DT-700-1-41400 LOWER, ISUZU KC-FRR33G2
 PH5034427-00 HARNESS (WITH SWITCH)



DT-700-1-41400 LOWER,ISUZU KC-FRR33G2
PI1440004-00 METER,LOAD



CLICK HERE TO **DOWNLOAD** THE COMPLETE MANUAL

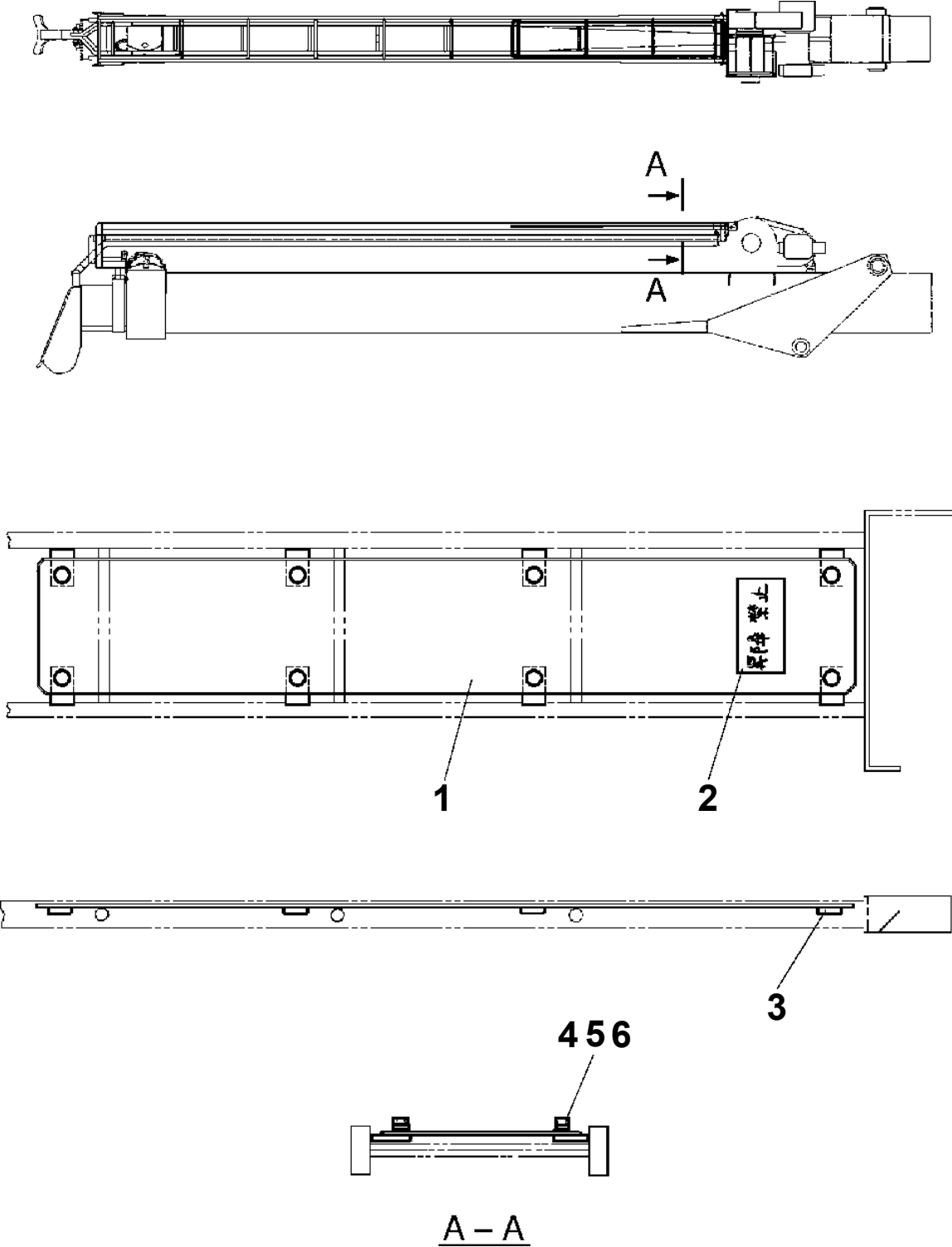
- Thank you very much for reading the preview of the manual.
- You can download the complete manual from: www.heydownloads.com by clicking the link below



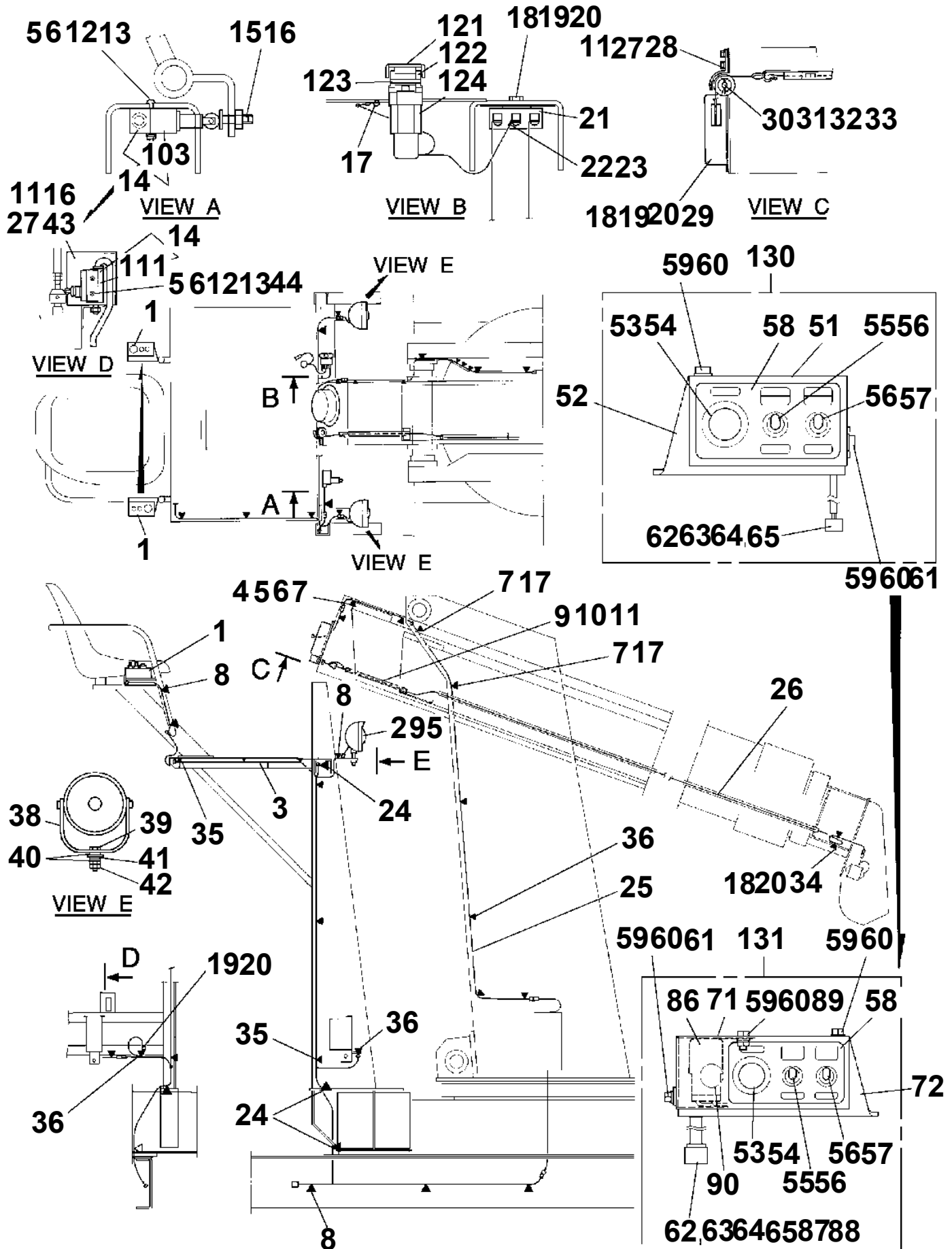
- Please note: If there is no response to CLICKING the link, please download this PDF first and then click on it.

CLICK HERE TO **DOWNLOAD** THE COMPLETE MANUAL

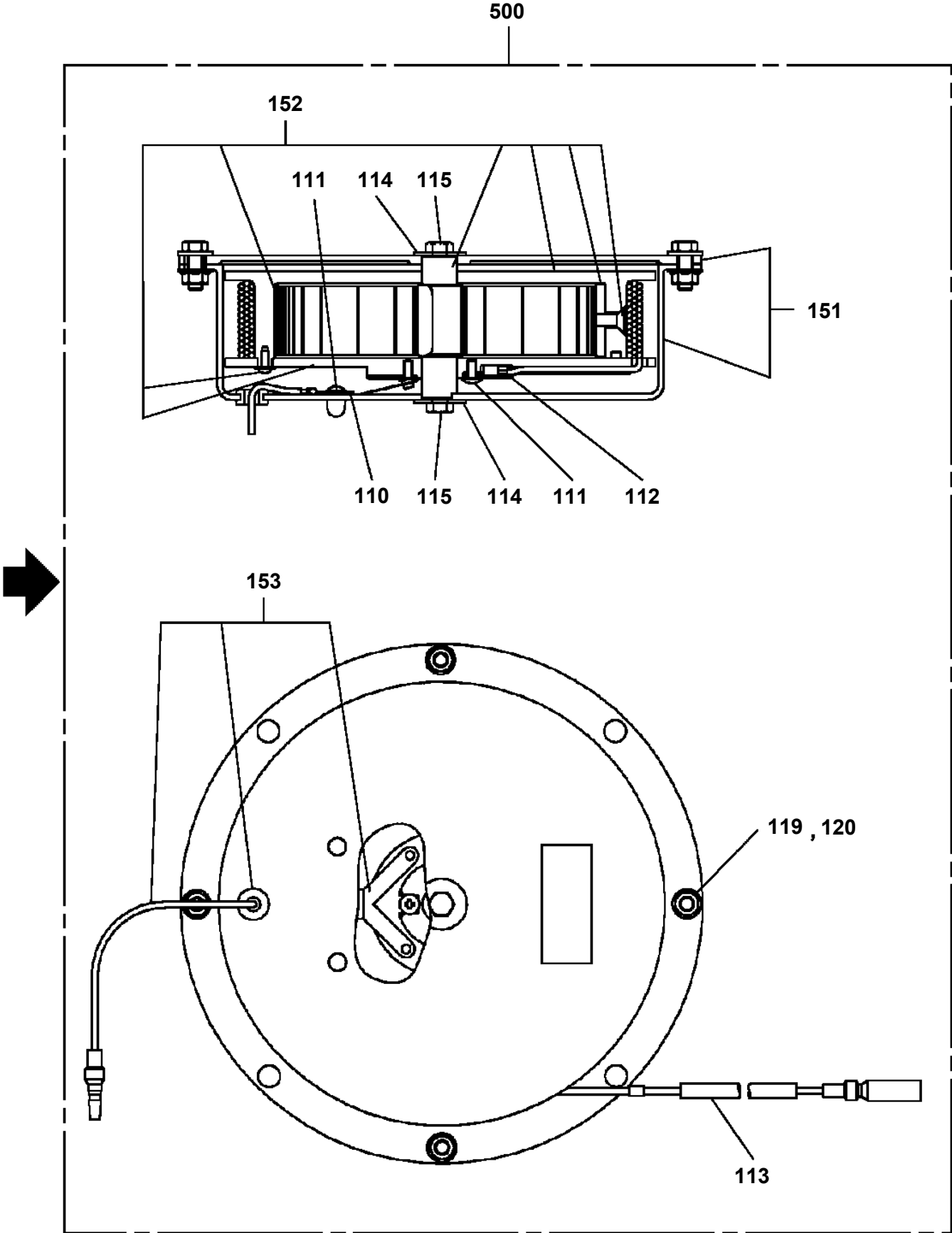
**DT-700-1-41400 LOWER,ISUZU KC-FRR33G2
PK1330107-00 COVER (GUARD,WIRE)**



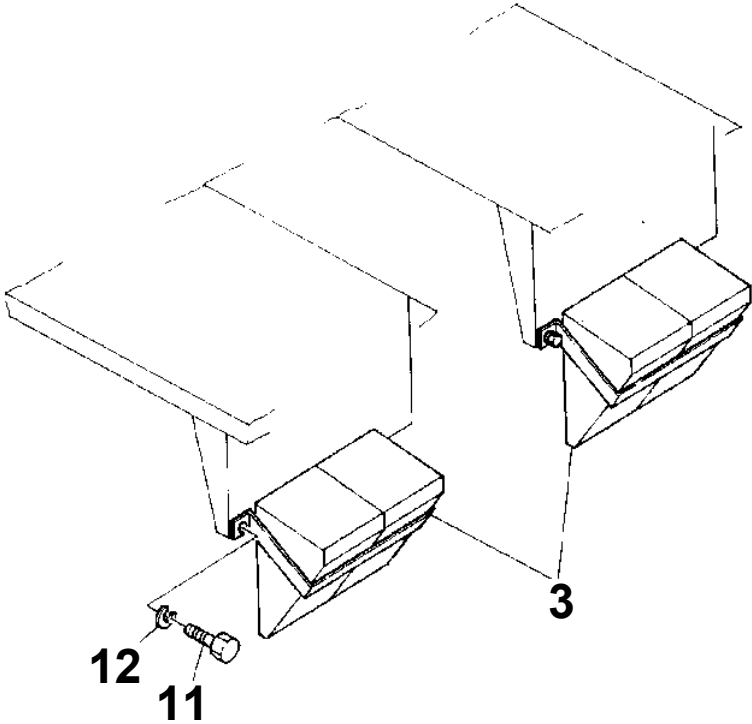
DT-700-1-41400 LOWER, ISUZU KC-FRR33G2
 PN1010104-04 ELECTRICAL ACCESSORIES



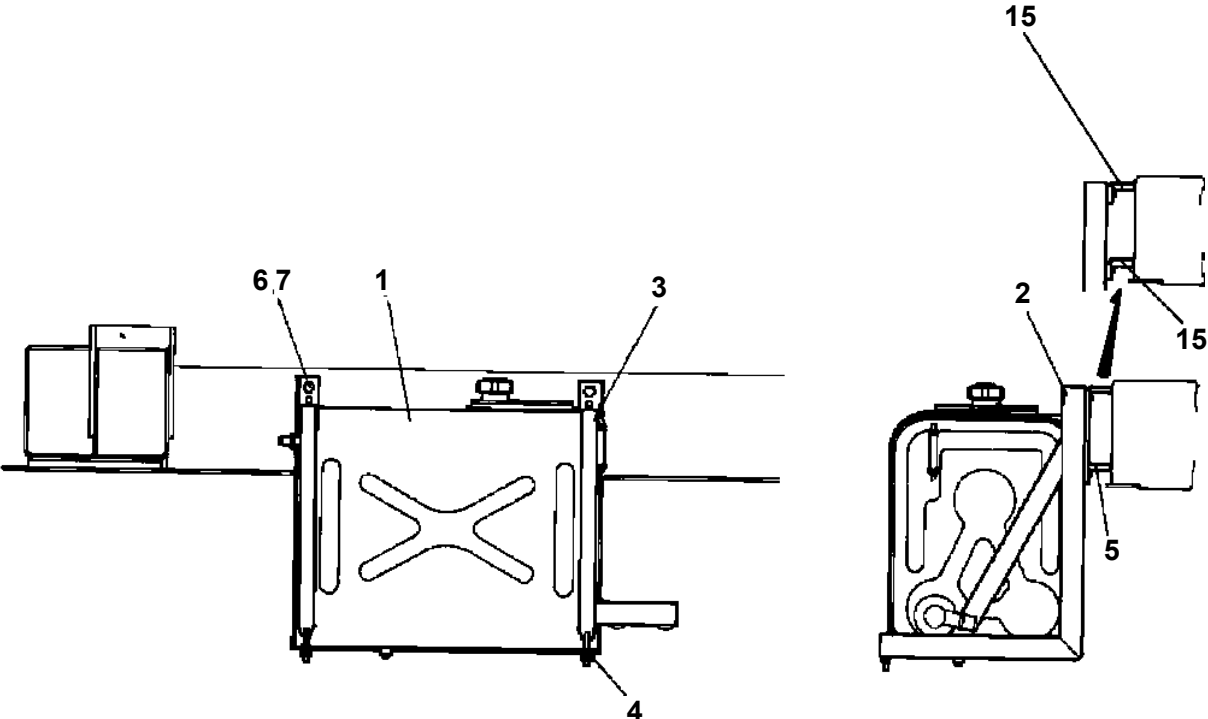
DT-700-1-41400 LOWER,ISUZU KC-FRR33G2
PN1350070-02 REEL,CORD



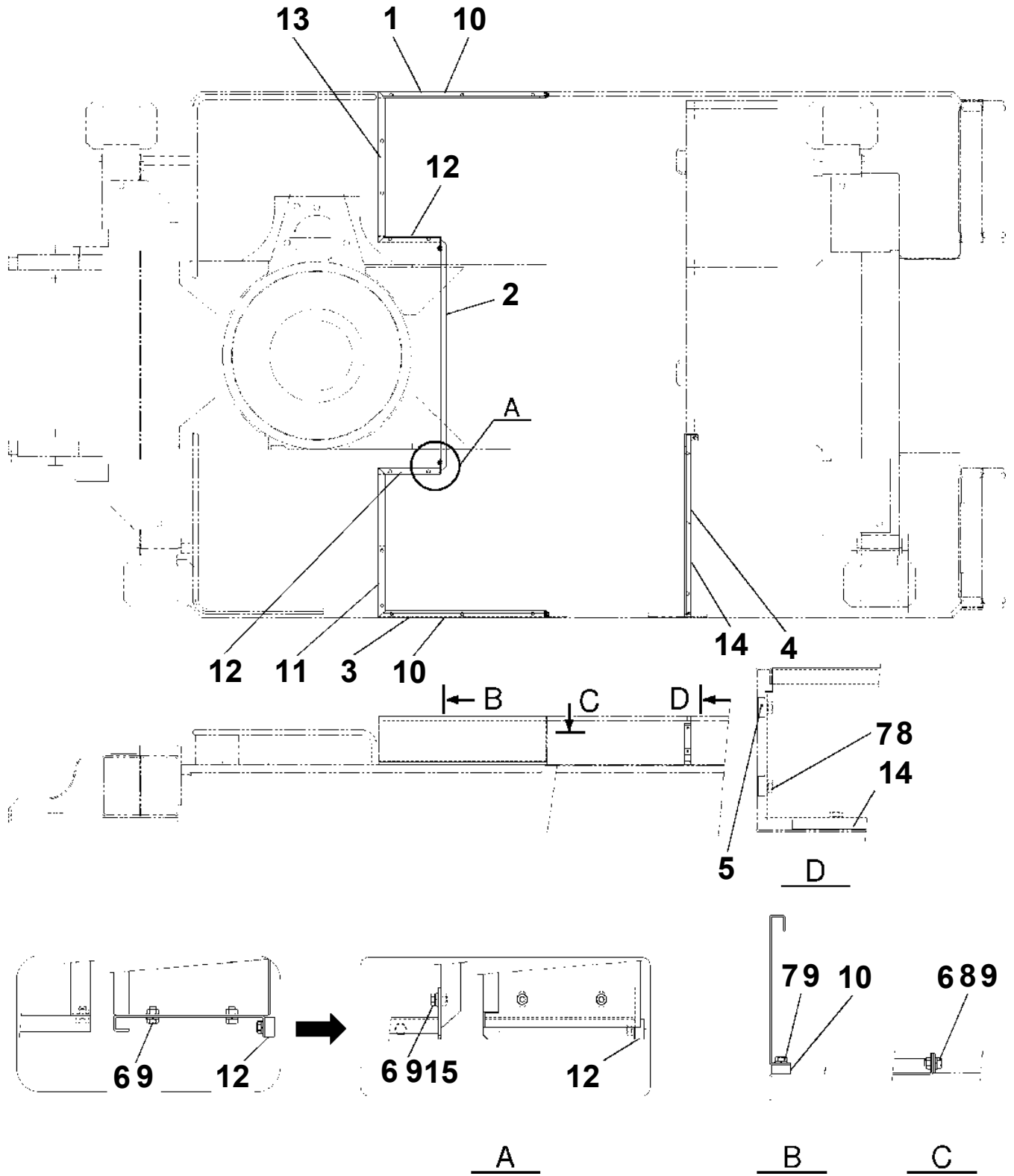
**DT-700-1-41400 LOWER,ISUZU KC-FRR33G2
PW1010105-00 ACCESSORIES**



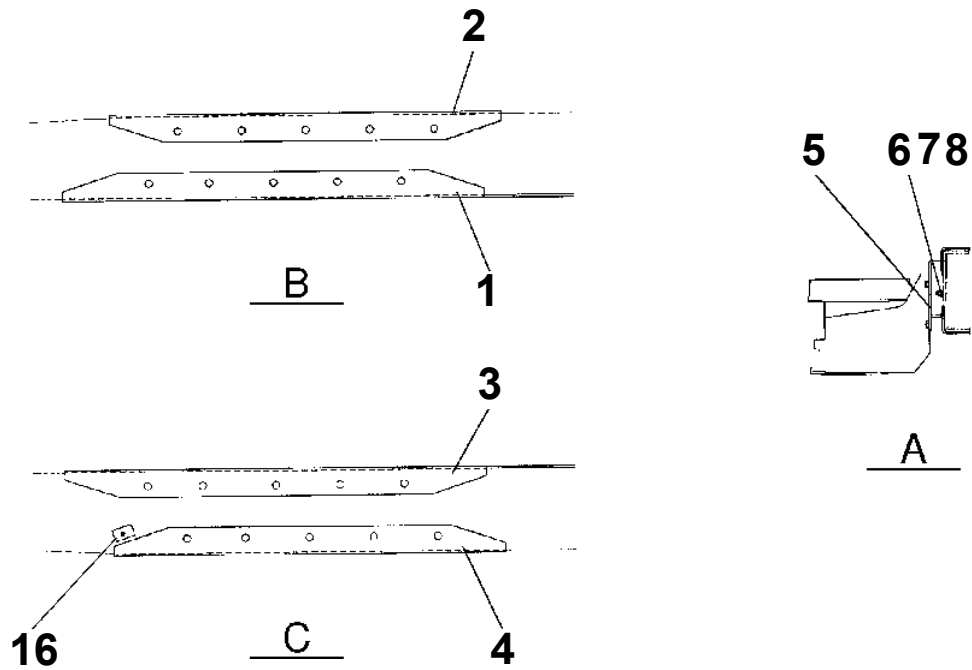
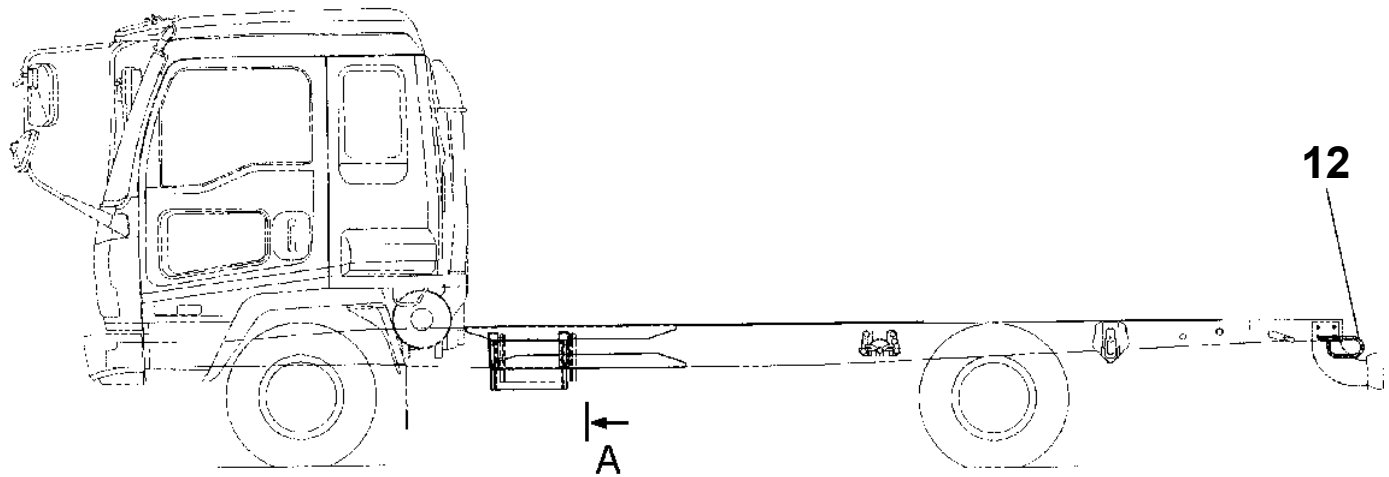
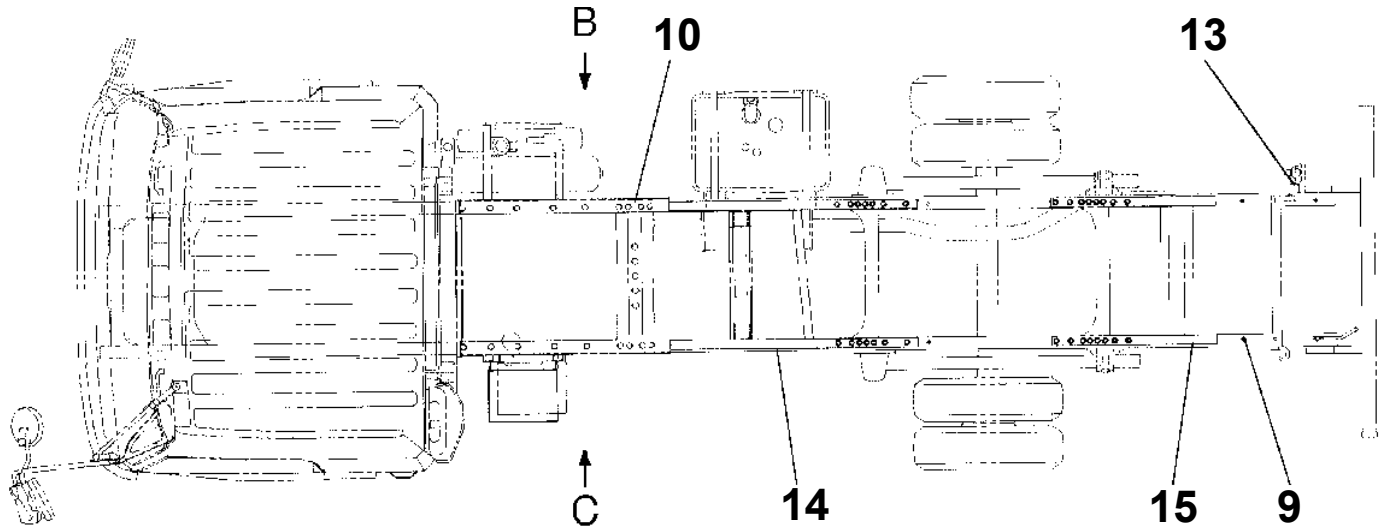
**DT-700-1-41400 LOWER,ISUZU KC-FRR33G2
PX1100102-01 TANK SUPPORT INSTALLATION**



**DT-700-1-41400 LOWER,ISUZU KC-FRR33G2
PX1210034-00 GUARD**



**DT-700-1-41400 LOWER,ISUZU KC-FRR33G2
PX1390554-00 MODIFICATION PARTS**



DT-700-1-41400 LOWER,ISUZU KC-FRR33G2

Pos No.	Parts No	Parts Name	Qty	Unit	Technical Data	Serial No (Start)	Serial No (End)	Remarks
1	(*****)	COOLER,OIL (ELECTRIC)	1					
2	32730450050	JOINT	1					
3	91002803800	O-RING	4		1B P38			
4	32730450070	JOINT	1					
5	32730450120	JOINT	1					
6	80302090322	FITTING	1		KCO28-080N			
7	32730510010	JOINT	1					
8	37004000010	SWITCH,THERMO	1		50C			
9	32730510020	SWITCH ASSY	1					
10	32730510030	SUPPORT	1					
11	91810130240	FASTENER	7					
12	37002503090	HOSE	1		L=1000			
13	91801300530	CLIP	8		D=48-53		390585	
	91803600500	CLIP	8		D=35-50	390586		
14	37002503770	HOSE	1		L=750			
15	36620400000	VALVE,CHECK	1					
16	82100002006	CLAMP	2		WR10			
17	90201200600	NUT	3		M6			
18	90302040601	WASHER,SPRING	3		6			
19	90101210025	BOLT	4		M10X25			
20	90302041001	WASHER,SPRING	8		10		390375	
	90302041001	WASHER,SPRING	4		10	390376		
21	90201201000	NUT	8		M10		390375	
	90201201000	NUT	4		M10	390376		
22	90101212030	BOLT	4		M12X30			
23	90302041201	WASHER,SPRING	4		12			
24	90201201200	NUT	4		M12			
25	37001504980	U-BOLT	2				390375	
	90162150200	U-BOLT	2		M8X20A	390376		
26	90303071001	WASHER,PLAIN	2		10			
28	32730510040	ROD	1					
30	80316030060	PLUG	1		PT3/8		390375	
31	90201200800	NUT	4		M8	390376		
32	90302040801	WASHER,SPRING	4		8	390376		
33	90303070801	WASHER,PLAIN	4		8	390376		

DT-700-1-41400 LOWER,ISUZU KC-FRR33G2

Pos No.	Parts No	Parts Name	Qty	Unit	Technical Data	Serial No (Start)	Serial No (End)	Re
1	32730297510	VALVE (CHARGING)	1					
2	32730297520	TRIGGER	1					
3	32730297530	PIN,SPRING	2					
4	32730297540	HANDLE	1					
5	32730297550	ROD (WIPER)	1					
6	32730297560	CAP (VALVE)	1					
7	32730297570	GRIP (HANDLE)	2					
8	32730297580	HOSE	2					
9	32730297590	STICKER	1					
10	32730297600	STICKER	1					
11	32730297610	STICKER	1					
12	32730297620	SPOOL	1					
13	32730297630	BOLT,HEXAGON SOCKET	2					
14	32730297640	ROD (SIDE)	2					
15	32730297650	NUT,LOCK	1					
16	32730297660	ROD (WIPER)	1					
17	32730297670	O-RING	1					
18	32730297680	BUSHING	1					
19	32730297690	O-RING	1					
20	32730297700	SPRING	1					
21	32730297710	DIAPHRAGM	1					
22	32730297720	BLOCK,VALVE (ACCUMULATOR)	1					
23	32730297730	BLOCK	1					
24	32730297740	O-RING	2					
25	32730297750	BODY,VALVE	1					
26	32730297760	PIN,ROLL	2					
27	32730297770	RING,BACKUP	2					
28	32730297780	PIN (BUSH)	2					
29	32730297790	VALVE,AUTOMATIC	1					
30	32730297800	TUBE (FLOW SLEEVE)	1					
31	32730297810	PIN (BUSH)	4					
32	32730297820	SLEEVE,FLOW	1					
33	32730297830	PISTON	1					
34	32730297840	O-RING	1					
35	32730297850	SEAL,CUP	1					
36	32730297860	FOOT,BREAKER	1					
37	32730297870	BUSHING	1					
38	32730297880	SPRING	1					
39	32730297890	DETENT	1					
40	32730297900	LATCH	1					
41	32730297910	BOLT (LATCH)	1					
42	32730297920	WASHER	2					
43	32730297930	WASHER,SPRING	2					
51	80456010610	JOINT,SELF SEALING	1					
52	80456020810	JOINT,SELF SEALING	1					
53	80315020080	JOINT,BUSHING	1					
71	32730297940	HANDLE ASSY	1					
72	32730297950	FOOT,BREAKER	1					
73	32730297960	SEAL KIT	1					
74	32730297970	HANDLE ASSY	1					
85	32730297650	NUT,LOCK	1					
91	91071011500	O-RING	1		Y22550-115-A			
100	32730290000	BREAKER (BR37)	1					

CLICK HERE TO **DOWNLOAD** THE COMPLETE MANUAL

- Thank you very much for reading the preview of the manual.
- You can download the complete manual from: www.heydownloads.com by clicking the link below



- Please note: If there is no response to CLICKING the link, please download this PDF first and then click on it.

CLICK HERE TO **DOWNLOAD** THE COMPLETE MANUAL