

DT-700-1-10600 LOWER,NISSAN U-MK210EN

PX1000081-04 MOUNTING PARTS

PY1000573-00 OPTIONS

ASSEMBLY

CLICK HERE TO **DOWNLOAD** THE COMPLETE MANUAL

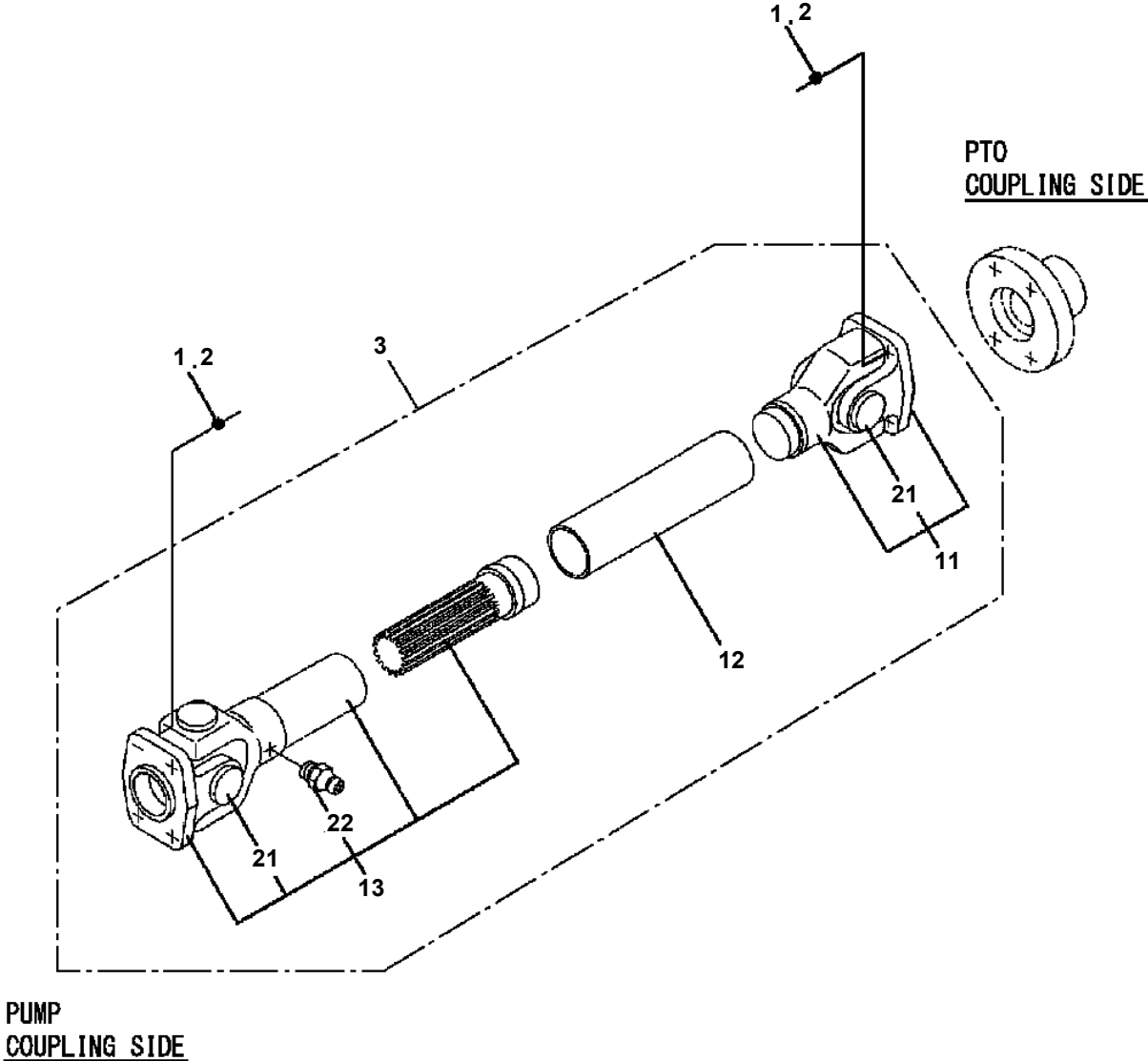
- Thank you very much for reading the preview of the manual.
- You can download the complete manual from: www.heydownloads.com by clicking the link below



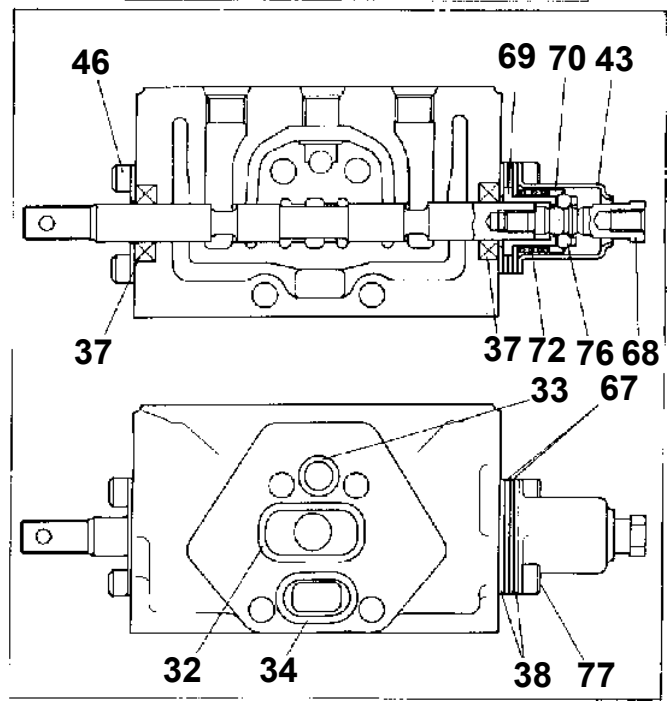
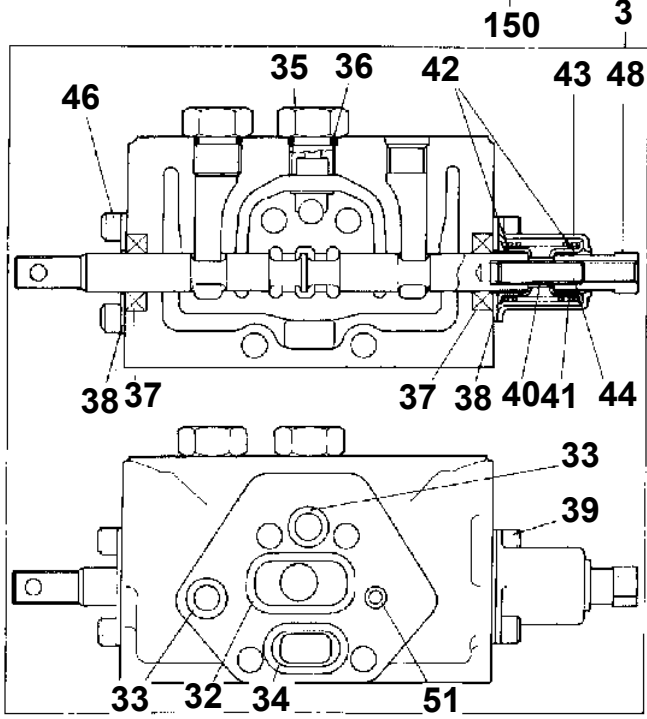
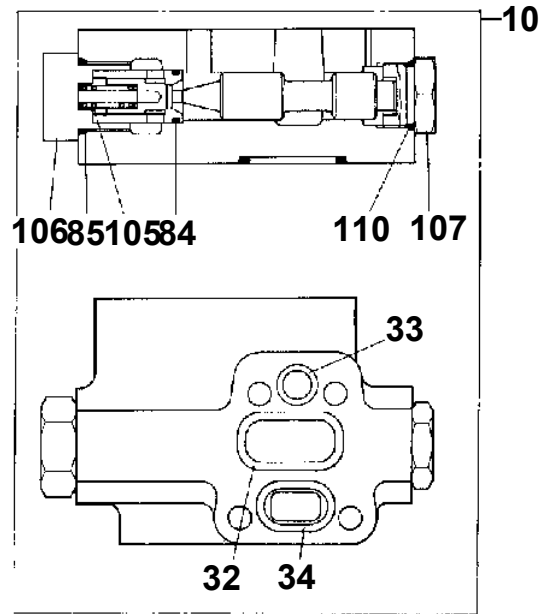
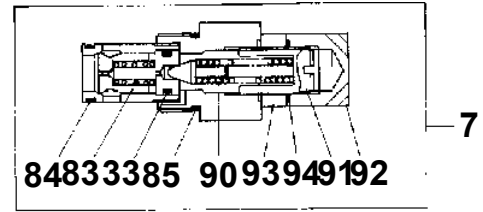
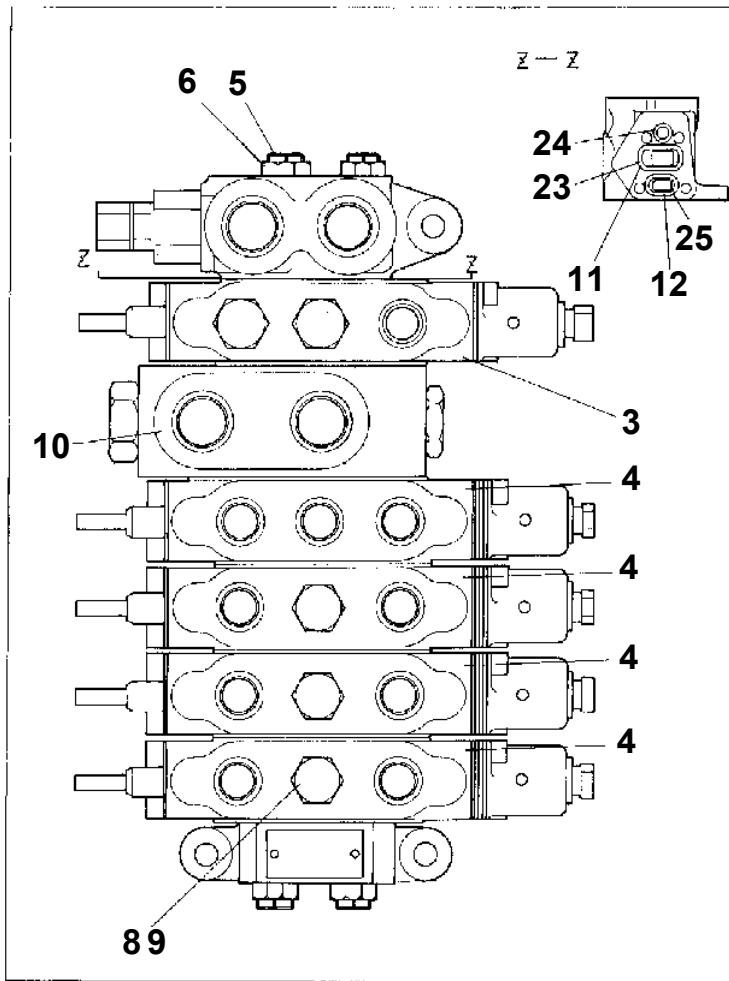
- Please note: If there is no response to CLICKING the link, please download this PDF first and then click on it.

CLICK HERE TO **DOWNLOAD** THE COMPLETE MANUAL

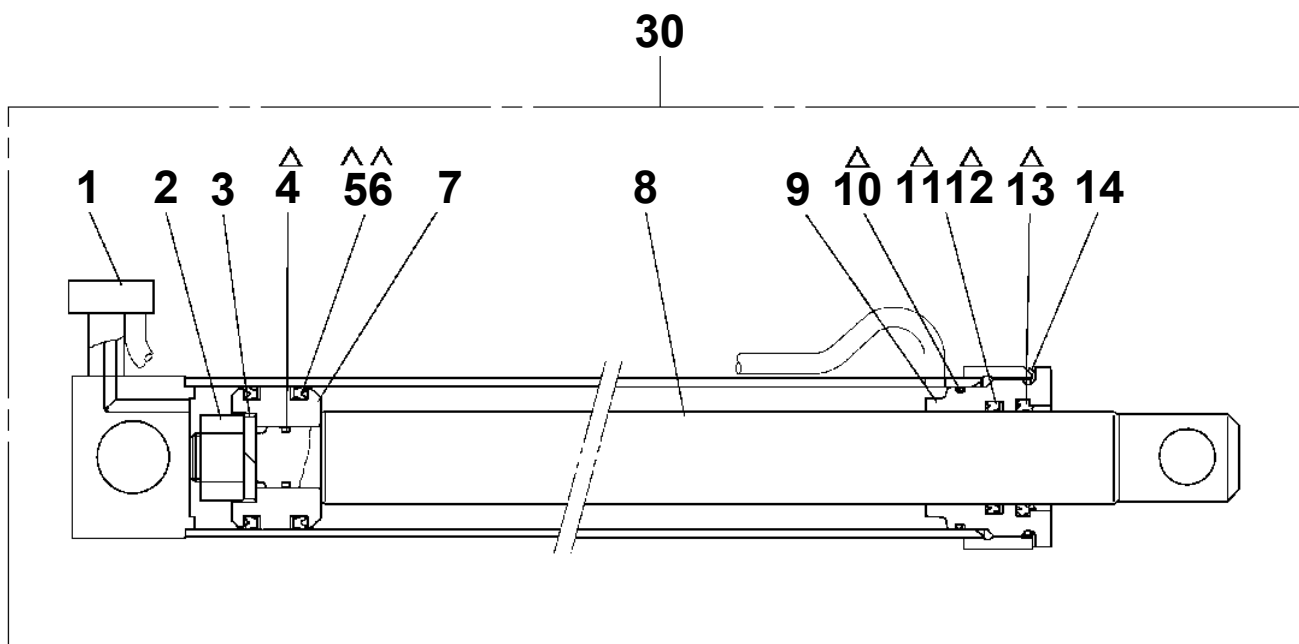
**DT-700-1-10600 LOWER,NISSAN U-MK210EN
PB1070022-02 PROPELLER SHAFT,PUMP**



**DT-700-1-10600 LOWER,NISSAN U-MK210EN
PB1320118-00 VALVE,MANUAL CONTROL**

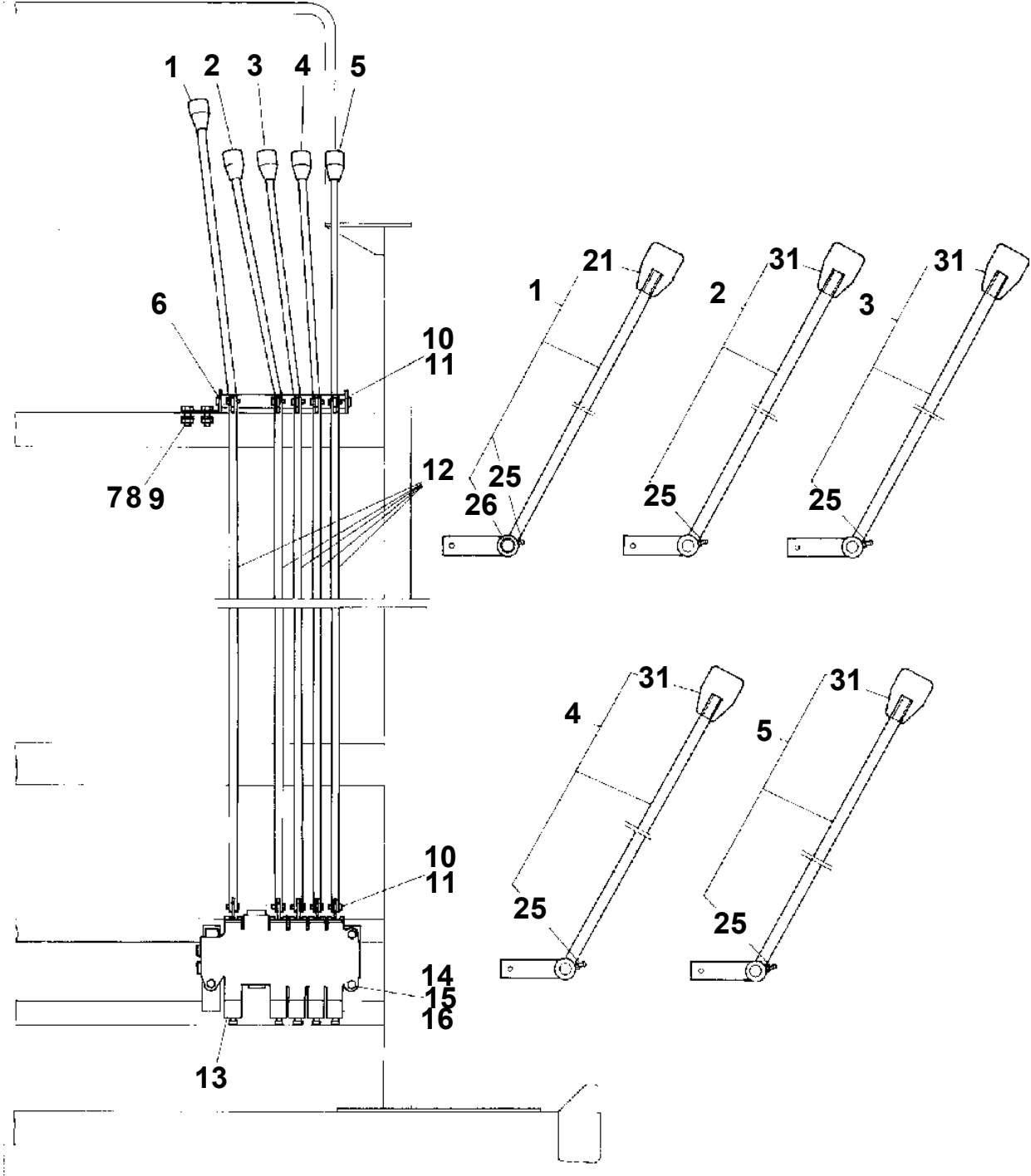


DT-700-1-10600 LOWER,NISSAN U-MK210EN
PC1030024-01 CYLINDER,JACK

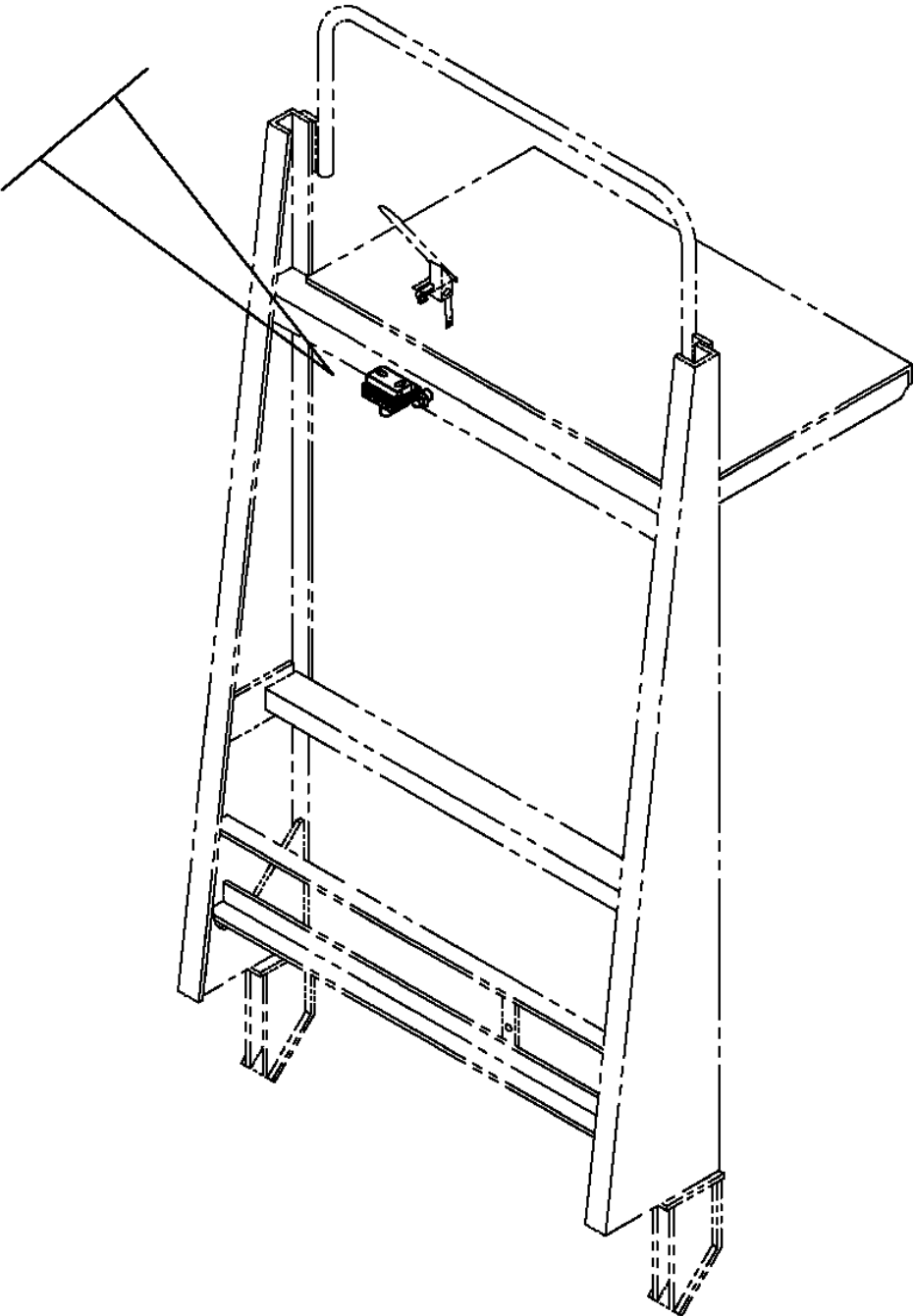
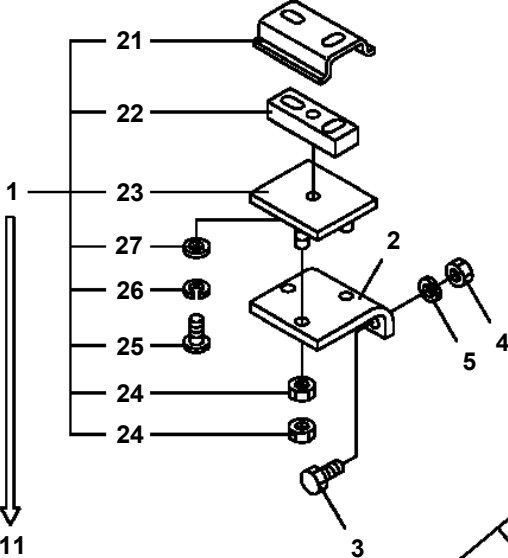


Δ : PACKING SET KEY NC**51** (KEY NO. 4,5,6,10,11,12,13)

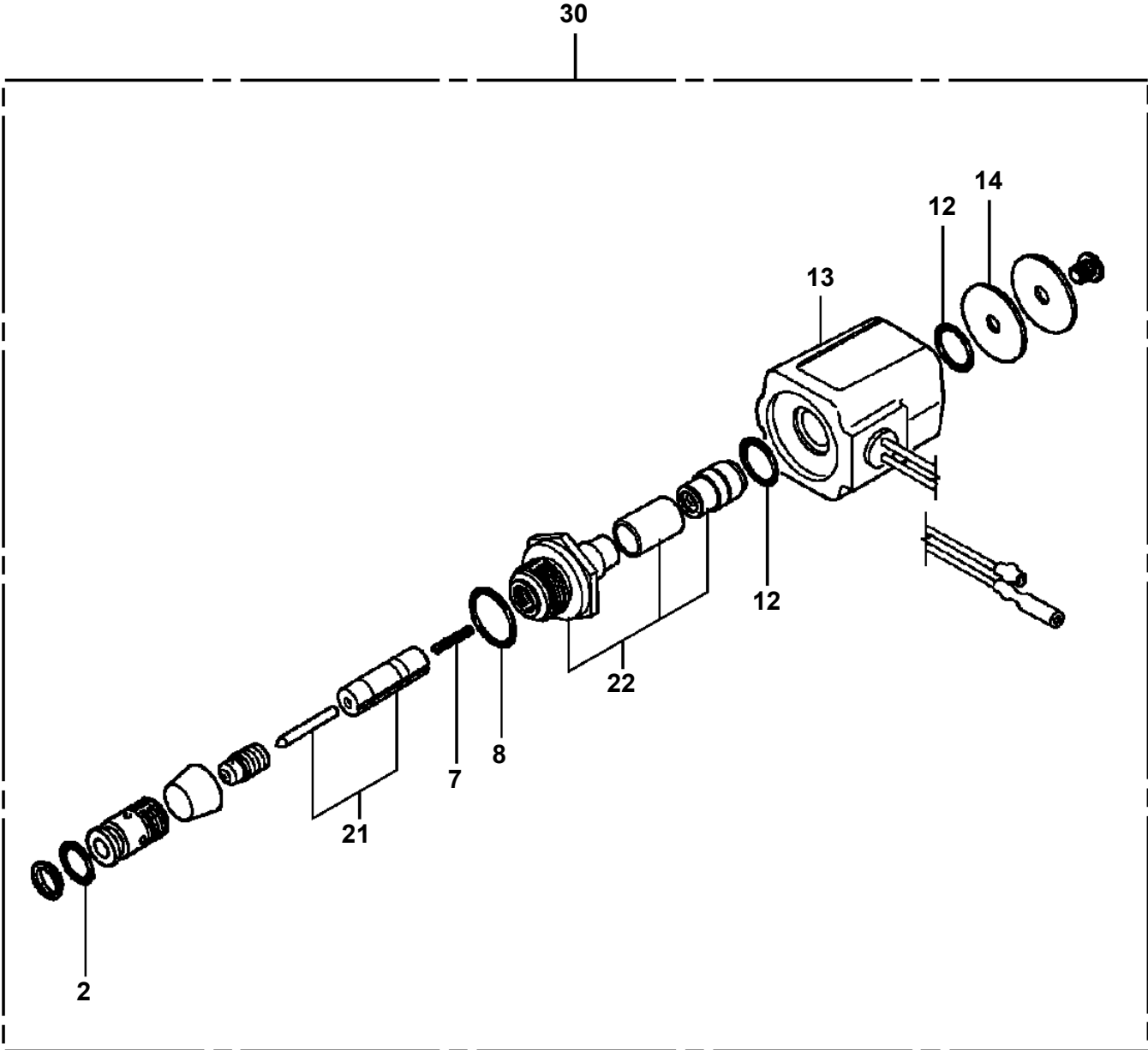
**DT-700-1-10600 LOWER,NISSAN U-MK210EN
PC1100029-01 OPERATION SYSTEM, OUTRIGGER**



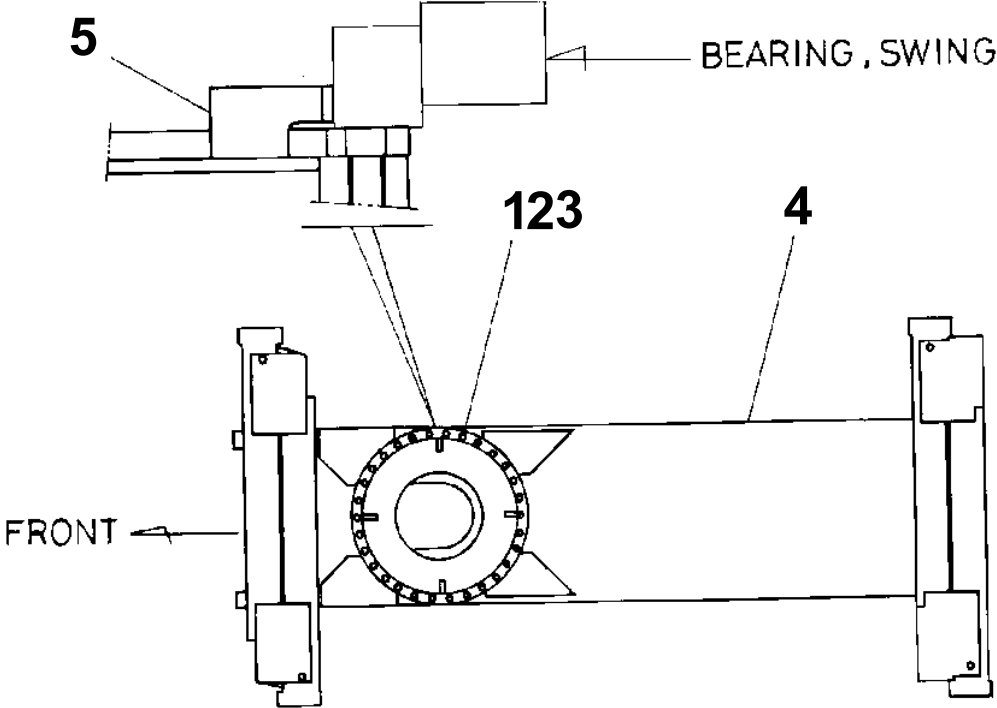
**DT-700-1-10600 LOWER,NISSAN U-MK210EN
PH1390001-02 LEVEL GAUGE (OPTION)**



DT-700-1-10600 LOWER,NISSAN U-MK210EN
PI1120034-01 VALVE,SOLENOID



**DT-700-1-10600 LOWER,NISSAN U-MK210EN
PK1010032-00 FRAME (CRANE)**



CLICK HERE TO **DOWNLOAD** THE COMPLETE MANUAL

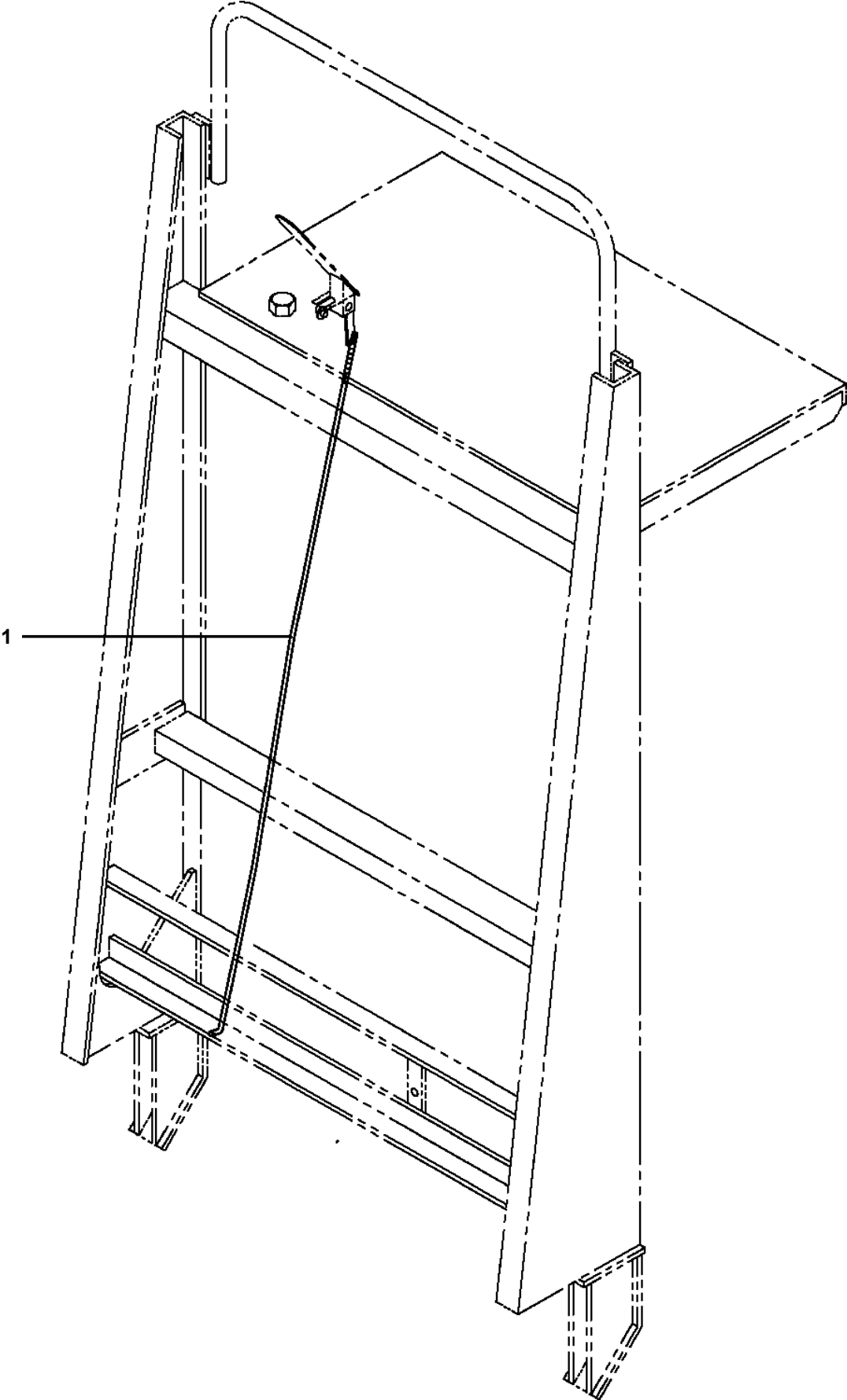
- Thank you very much for reading the preview of the manual.
- You can download the complete manual from: www.heydownloads.com by clicking the link below



- Please note: If there is no response to CLICKING the link, please download this PDF first and then click on it.

CLICK HERE TO **DOWNLOAD** THE COMPLETE MANUAL

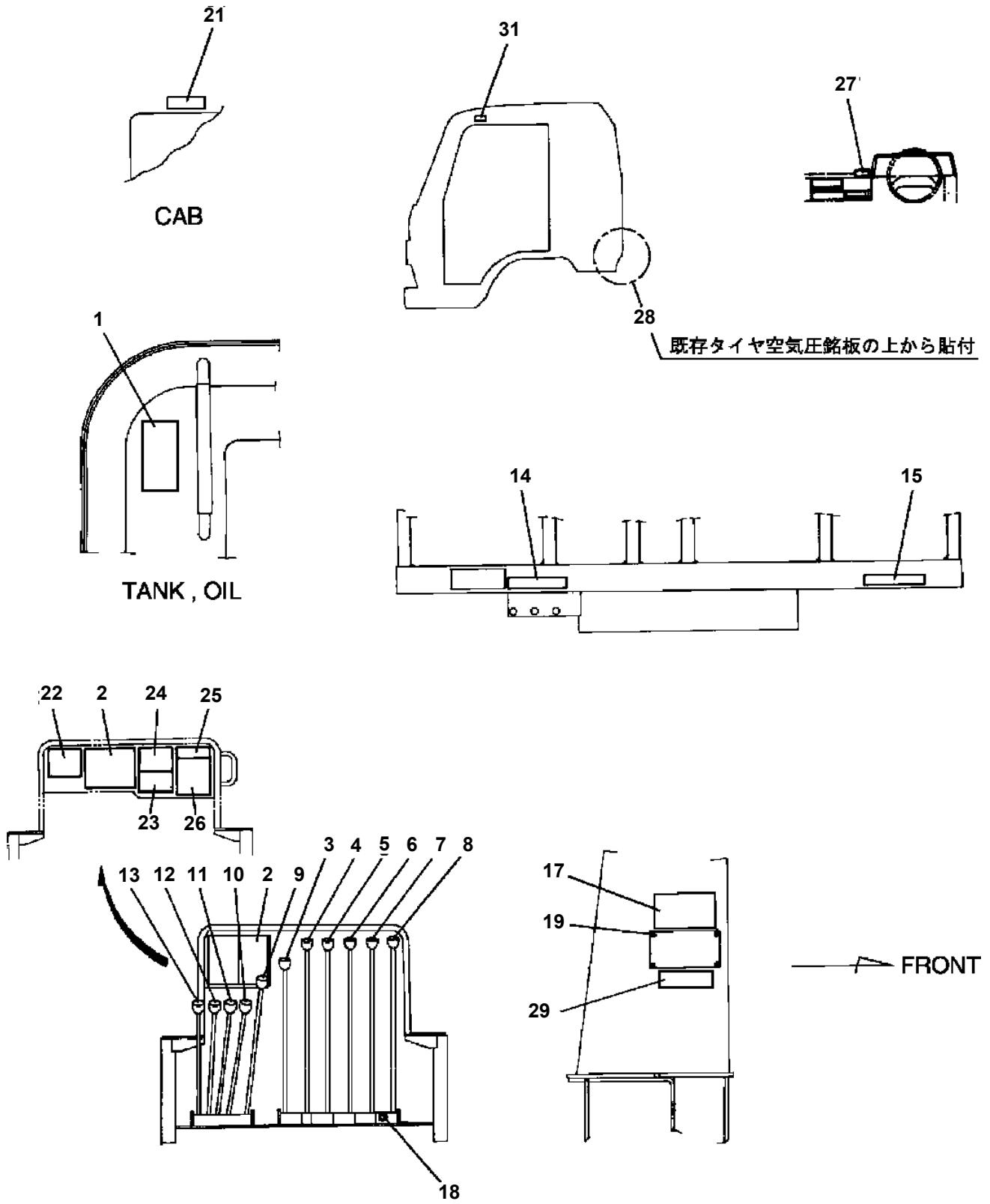
**DT-700-1-10600 LOWER,NISSAN U-MK210EN
PL1030286-00 OPE.ASSY,ACCELERATOR (OPTION,OIL)**



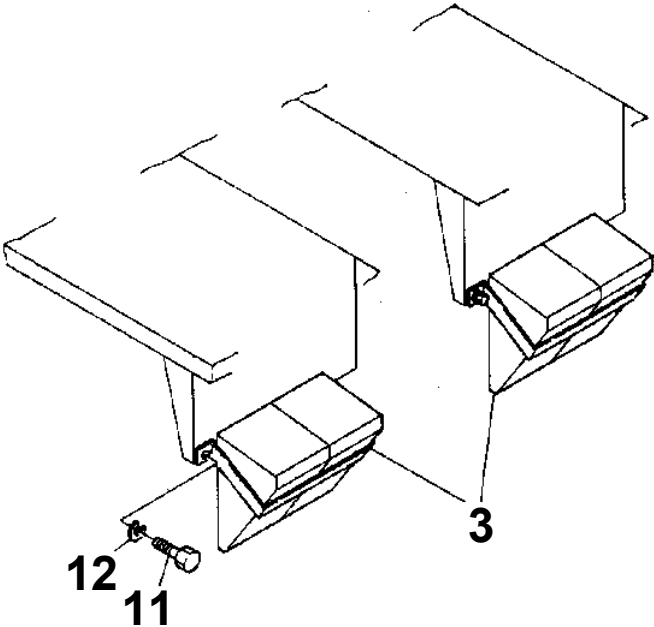
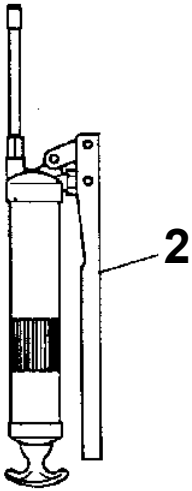
DT-700-1-10600 LOWER,NISSAN U-MK210EN

Pos No.	Parts No	Parts Name	Qty	Unit	Technical Data	Serial No (Start)	Serial No (End)	Remarks	Pages
1	32730452010	SWITCH ASSY	1						
2	91810130240	FASTENER	4						
3	32730452020	HARNESS	1		L=1000				
4	37004000010	SWITCH,THERMO	1		50C				
11	32730452030	COVER	1						
12	32430062010	SUPPORT	1						
13	82100002004	CLAMP	1		WR8				
14	82100000895	SWITCH,TOGGLE	1						
15	82100000665	CAP (BLACK)	1						
16	90101206012	BOLT	3		M6X12				
17	90302040601	WASHER,SPRING	3		6				
22	32730452040	PLATE,NAME	1						
23	90201200600	NUT	1		M6				

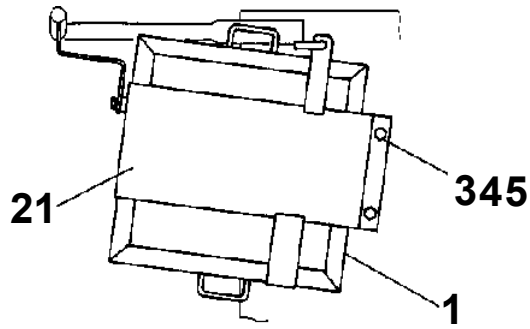
**DT-700-1-10600 LOWER,NISSAN U-MK210EN
PO1011095-04 NAME PLATE ASSY (CRANE)**



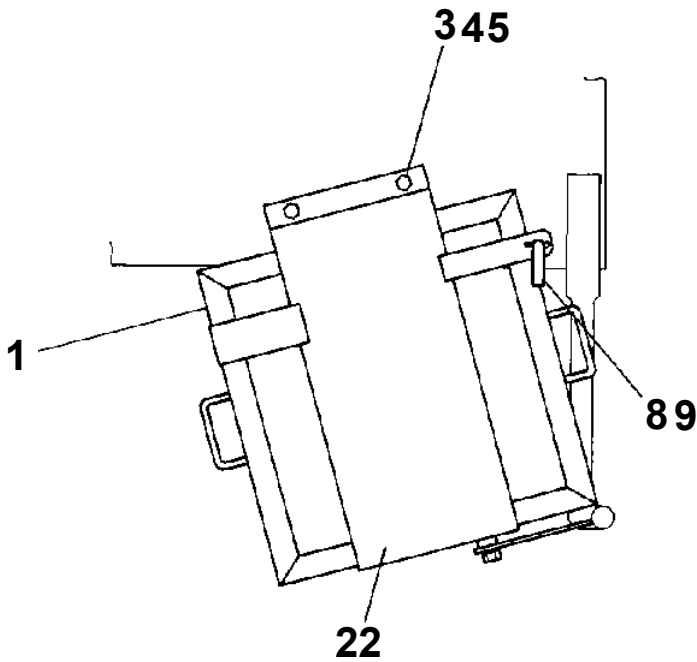
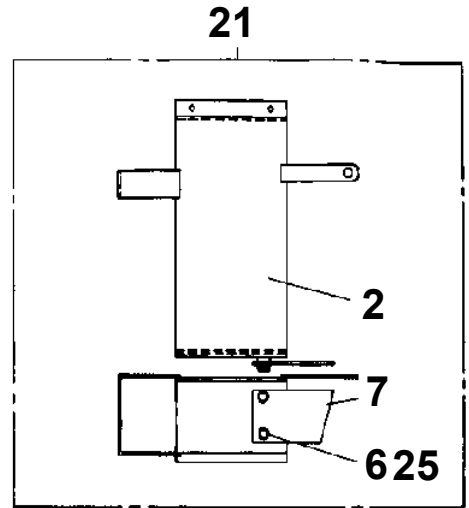
**DT-700-1-10600 LOWER,NISSAN U-MK210EN
PW1010030-00 ACCESSORIES**



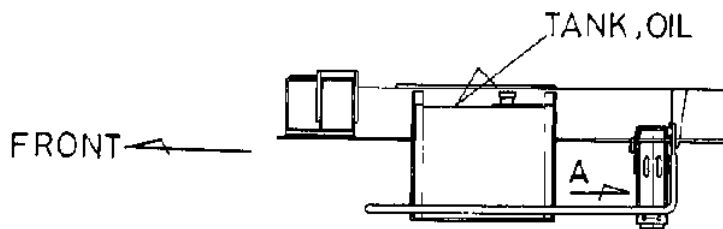
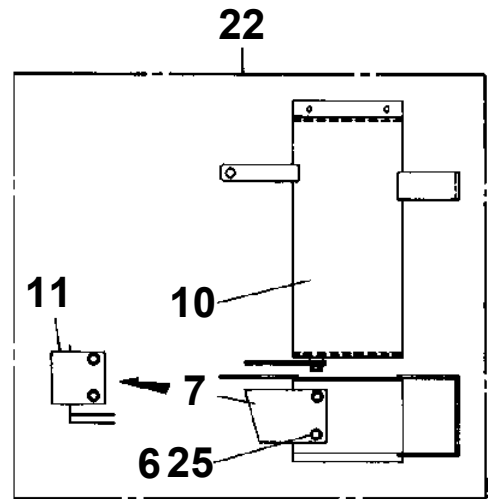
**DT-700-1-10600 LOWER,NISSAN U-MK210EN
PX1270021-02 WOOD BLOCK INSTALLATION**



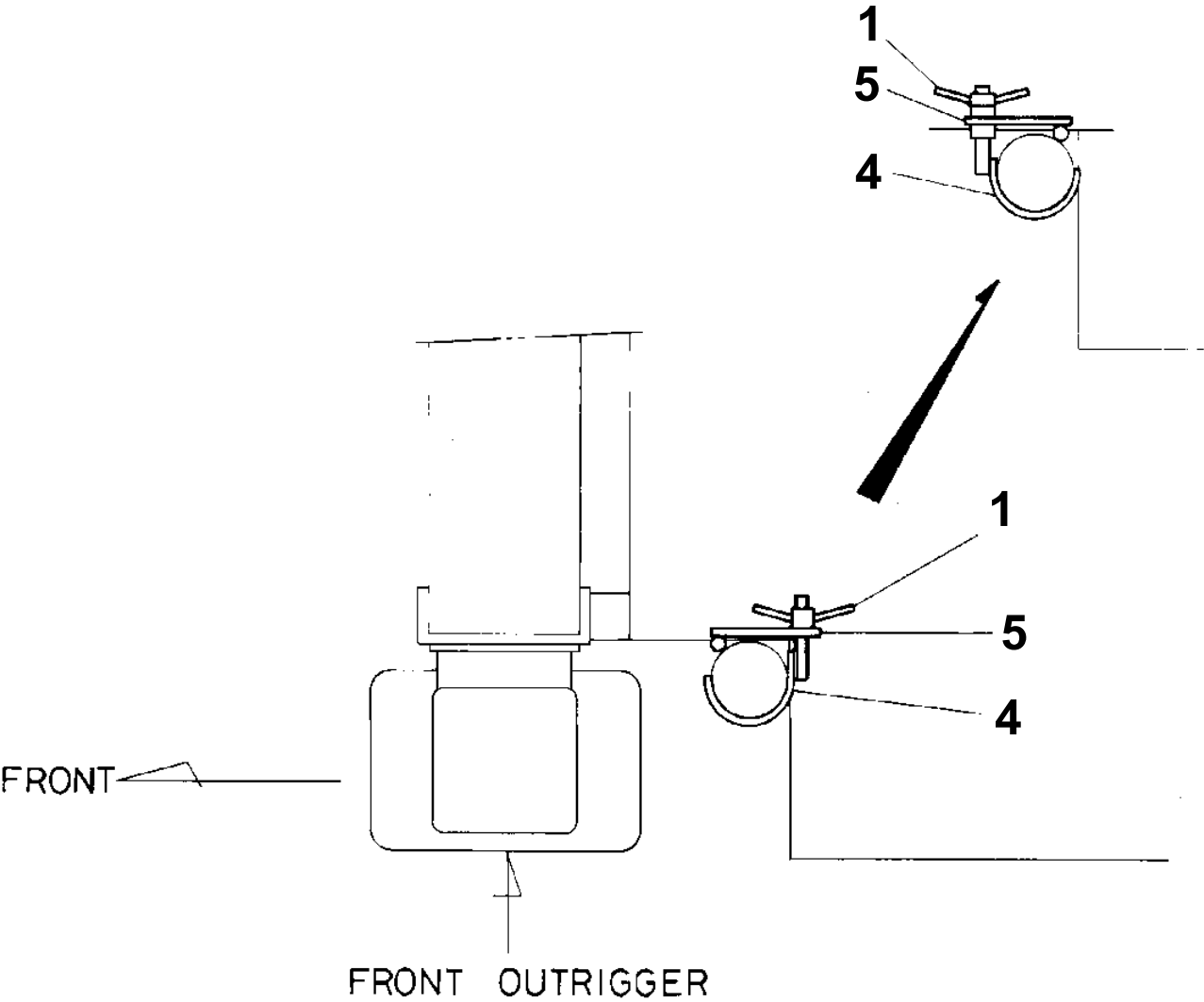
(RIGHT)



VIEW A (LEFT)



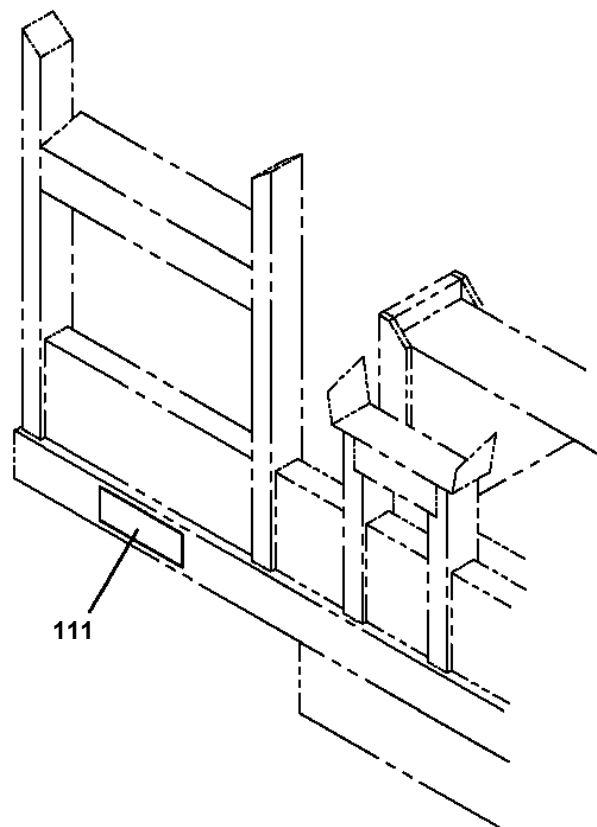
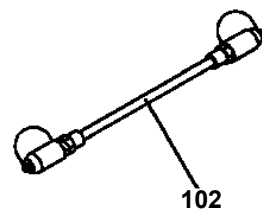
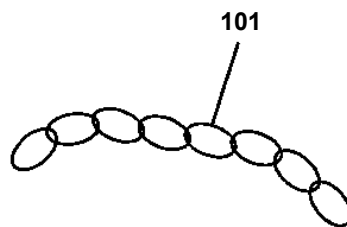
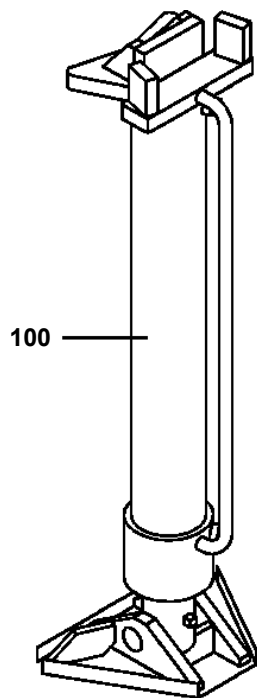
**DT-700-1-10600 LOWER,NISSAN U-MK210EN
PX1450001-01 MOUNT,POLE PULLER (OPTION)**



DT-700-1-10600 LOWER,NISSAN U-MK210EN

Pos No.	Parts No	Parts Name	Qty	Unit	Technical Data	Serial No (Start)	Serial No (End)	Remarks
1	(*****)	COOLER,OIL (ELECTRIC)	1					
2	32730450050	JOINT	1					
3	91002803800	O-RING	4		1B P38			
4	32730450070	JOINT	1					
5	32730450120	JOINT	1					
6	80302090322	FITTING	1		KCO28-080N			
7	32730510010	JOINT	1					
8	37004000010	SWITCH,THERMO	1		50C			
9	32730510020	SWITCH ASSY	1					
10	32730510030	SUPPORT	1					
11	91810130240	FASTENER	7					
12	37002503090	HOSE	1		L=1000			
13	91801300530	CLIP	8		D=48-53		390585	
	91803600500	CLIP	8		D=35-50	390586		
14	37002503770	HOSE	1		L=750			
15	36620400000	VALVE,CHECK	1					
16	82100002006	CLAMP	2		WR10			
17	90201200600	NUT	3		M6			
18	90302040601	WASHER,SPRING	3		6			
19	90101210025	BOLT	4		M10X25			
20	90302041001	WASHER,SPRING	8		10		390375	
	90302041001	WASHER,SPRING	4		10	390376		
21	90201201000	NUT	8		M10		390375	
	90201201000	NUT	4		M10	390376		
22	90101212030	BOLT	4		M12X30			
23	90302041201	WASHER,SPRING	4		12			
24	90201201200	NUT	4		M12			
25	37001504980	U-BOLT	2				390375	
	90162150200	U-BOLT	2		M8X20A	390376		
26	90303071001	WASHER,PLAIN	2		10			
28	32730510040	ROD	1					
30	80316030060	PLUG	1		PT3/8		390375	
31	90201200800	NUT	4		M8	390376		
32	90302040801	WASHER,SPRING	4		8	390376		
33	90303070801	WASHER,PLAIN	4		8	390376		


DT-700-1-10600 LOWER,NISSAN U-MK210EN
 PY1600001-06 CYLINDER,POLE PULLER (STOWING AT LEFT FRONT)



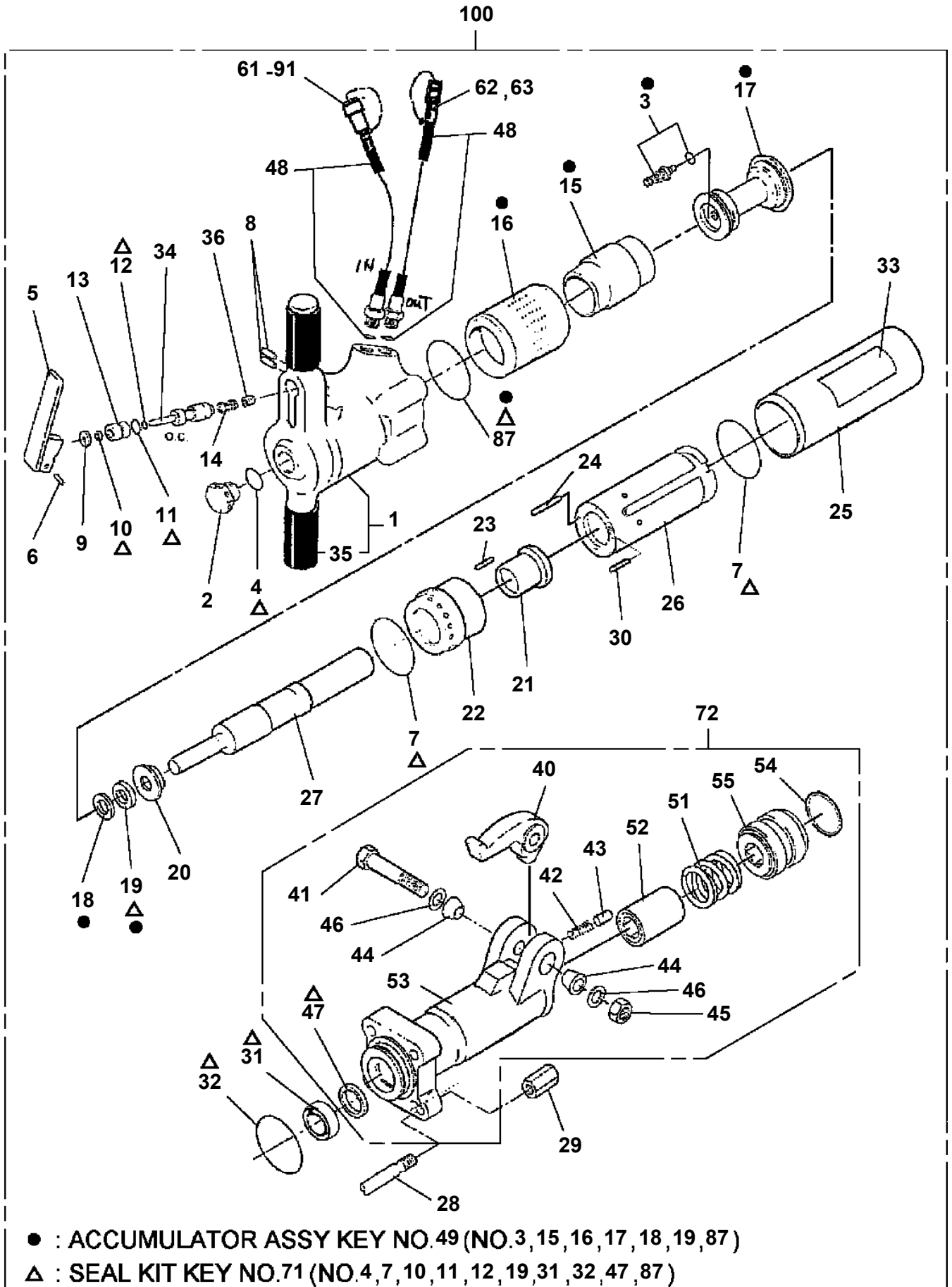
111

抜柱機取扱い方法

1. 抜柱機を電機に接続し、チェーンをゆるいように
 2段に巻き付けてください。
2. 抜柱機が取付位置に到達したら、電源を切ってください。
3. ホース端、抜柱機と取付位置の間に接続してください。
4. レバーをゆっくり操作し、抜柱機を挿入してください。



**DT-700-1-10600 LOWER,NISSAN U-MK210EN
PY1840003-03 BREAKER (BR67)**



- : ACCUMULATOR ASSY KEY NO.49 (NO.3, 15, 16, 17, 18, 19, 87)
- Δ : SEAL KIT KEY NO.71 (NO.4, 7, 10, 11, 12, 19, 31, 32, 47, 87)

CLICK HERE TO **DOWNLOAD** THE COMPLETE MANUAL

- Thank you very much for reading the preview of the manual.
- You can download the complete manual from: www.heydownloads.com by clicking the link below



- Please note: If there is no response to CLICKING the link, please download this PDF first and then click on it.

CLICK HERE TO **DOWNLOAD** THE COMPLETE MANUAL