

DT-620-1-21100 LOWER,MITSUBISHI PDG-FE73DBY6KA4

PB1000400-01 HYDRAULIC PRESSURE GENERATING SYSTEM

PC1000669-00 OUTRIGGER SYSTEM

PK1000381-00 FRAME

PL1000668-00 CONTROL DEVICES

PN1000721-00 ELECTRIC EQUIPMENT

PO1000169-00 INDICATION PLATES

PW1000028-00 ACCESSORIES & TOOLS

PX1001308-00 MOUNTING PARTS

PY1000352-07 OPTIONS

ASSEMBLY

CLICK HERE TO **DOWNLOAD** THE COMPLETE MANUAL

- Thank you very much for reading the preview of the manual.
- You can download the complete manual from: www.heydownloads.com by clicking the link below



- Please note: If there is no response to CLICKING the link, please download this PDF first and then click on it.

CLICK HERE TO **DOWNLOAD** THE COMPLETE MANUAL

DT-620-1-21100 LOWER,MITSUBISHI PDG-FE73DBY6KA4

Pos No.	Parts No	Parts Name	Qty	Unit	Technical Data	Serial No (Start)	Serial No (End)	Remarks	P
1	(*****)	MOUNT ASSY,TAIL LAMP	1						00
2	(*****)	POWER SUPPLY	1				275725		00
	(*****)	POWER SUPPLY	1			275726			00

DT-620-1-21100 LOWER,MITSUBISHI PDG-FE73DBY6KA4

PX1350416-01 BOX,TOOL
PX1410233-01 MOUNT,TIRE
PX1450002-02 MOUNT,POLE PULLER
PX1490010-00 FIRE EXTINGUISHER
PX1540019-00 WEDGE (MOUNT)
PX5360126-00 MOUNT ASSY,FRAME
PX5590002-00 MOUNT ASSY,PUMP (200L)
PX5740072-00 MOUNT ASSY,TAIL LAMP
PY1040000-01 SUPPORT,POLE (FOR LEFT)
PY1040001-01 SUPPORT,POLE (FOR BOTH SIDE)
PY1040005-00 SUPPORT,POLE
PY1180138-10 LAMP ASSY (YELLOW)
PY1230017-04 OIL COOLER INSTALLATION (ELECTRIC TYPE)
PY1300006-02 COOLER,OIL (ELECTRIC)
PY1300038-03 COOLER,OIL (ELECTRIC TYPE,TRANSVERSELY)
PY1600000-05 CYLINDER,POLE PULLER
PY1600003-04 CYLINDER,POLE PULLER
PY1620000-02 MOUNT,LEVEL
PY1650006-01 EARTHING DEVICE
PY1840001-04 BREAKER (BR37)
PY1840002-04 BREAKER (BR45)
PY1840003-03 BREAKER (BR67)
PY1910000-03 HOSE (6M.210KG/CM2)
PY1910001-01 HOSE (6M.70KG/CM2)
PY1910002-01 HOSE (10M.70KG/CM2)
PY1910011-00 HOSE
PY1920000-00 CHAIN SAW (STANLEY)
PY2360006-02 PUMP,WATER (MOUNT/100L)

DT-620-1-21100 LOWER,MITSUBISHI PDG-FE73DBY6KA4

Pos No.	Parts No	Parts Name	Qty	Unit	Technical Data	Serial No (Start)	Serial No (End)	R
1	90171112022	BOLT	4		M12X22			
2	90302041201	WASHER,SPRING	4		12			
3	32820910100	SUPPORT	1					
4	32811100030	COUPLING	1					
5	90172110035	BOLT,HEXAGON SOCKET	2		M10X35			
6	90201781000	NUT	2		M10			
7	90302041001	WASHER,SPRING	2		10			
8	90303071001	WASHER,PLAIN	2		10			
9	36651150000	PUMP,HYDRAULIC (27CC,23CC:L)	1					
10	90302040601	WASHER,SPRING	1		6			
11	90171106020	BOLT	1		M6X20			
12	32811100020	SUPPORT	1					

DT-620-1-21100 LOWER,MITSUBISHI PDG-FE73DBY6KA4

Pos No.	Parts No	Parts Name	Qty	Unit	Technical Data	Serial No (Start)	Serial No (End)	Remarks	Pages
1	32732241000	FLOAT ASSY	1						
2	32732240010	PLATE	8						
3	32732242000	FLOAT ASSY	3						

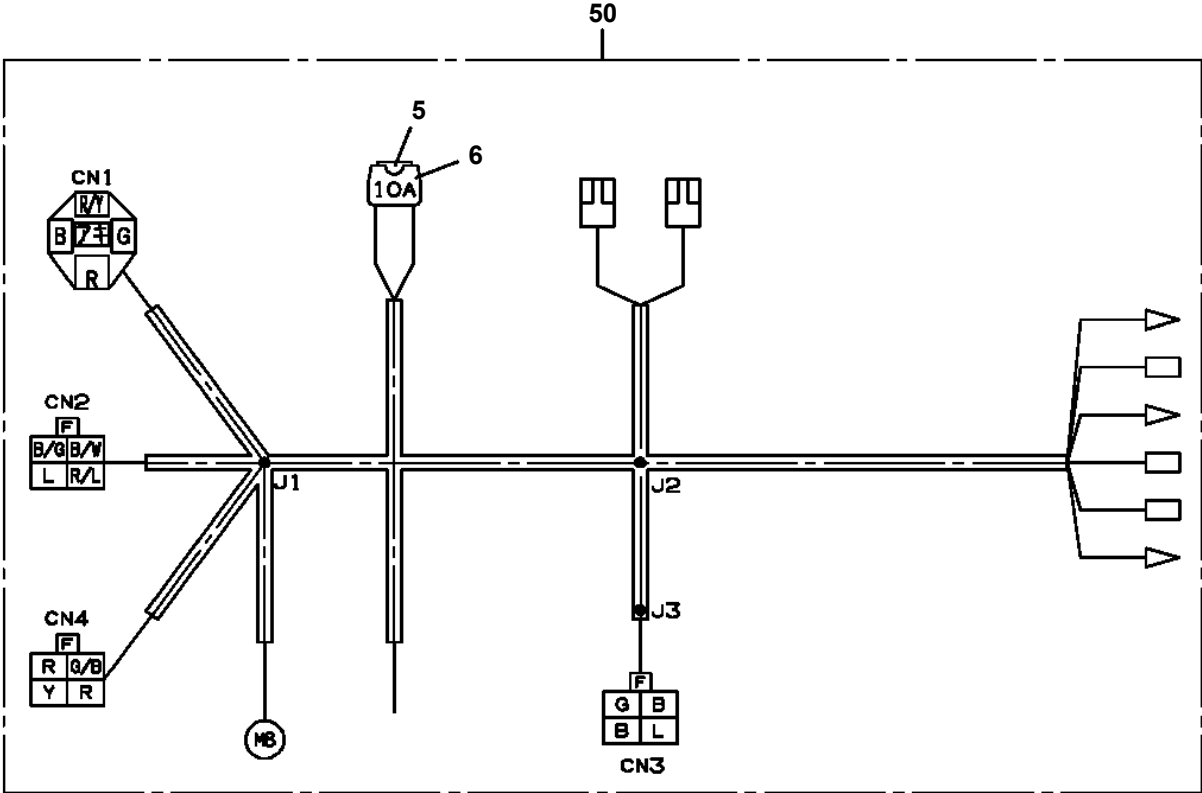
DT-620-1-21100 LOWER,MITSUBISHI PDG-FE73DBY6KA4

Pos No.	Parts No	Parts Name	Qty	Unit	Technical Data	Serial No (Start)	Serial No (End)	Rem
1	37000301630	SPACER	2		L=12			
2	32610040030	COVER	1					
3	90101208016	BOLT	2		M8X16			
4	90302040801	WASHER,SPRING	2		8			
5	37000118720	PIN	1					
6	80601110300	RING,RITAINING	2		S30			
7	36622940000	VALVE,PILOT CHECK	1				275782	
	36622940001	VALVE ASSY,CHECK	1			275783		
8	90172110025	BOLT,HEXAGON SOCKET	2		M10X25			
9	32611031101	CASE,INNER	1					
11	36032970000	CYLINDER,JACK	1					
12	37000114790	PIN	1					
13	80136332036	PIN,SPLIT	2		3.2X36			
15	37002412710	HOSE,TWIN	1		L=2240 TO 2145			
16	36040410000	CYLINDER ASSY,EXTENSION	1					
18	32611021200	CASE,INNER	1					
19	37000118740	PIN	1					
20	80601110250	RING,RITAINING	2		S25			
21	80172304010	SCREW,MACHINE	4		M4X10			
22	90302040401	WASHER,SPRING	4		4			
23	37000530620	PLATE	2					
24	32610050020	HARNES	1		L=3550			
25	91810130240	FASTENER	10					
26	90101206016	BOLT	1		M6X16			
27	90302040601	WASHER,SPRING	1		6			
28	90201200600	NUT	1		M6			

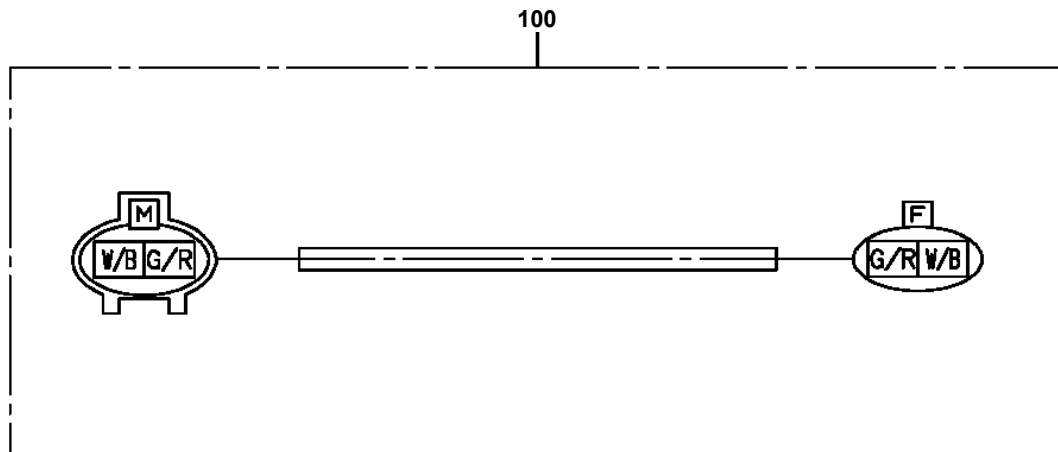
DT-620-1-21100 LOWER,MITSUBISHI PDG-FE73DBY6KA4

Pos No.	Parts No	Parts Name	Qty	Unit	Technical Data	Serial No (Start)	Serial No (End)
1	32700212000	LINK ASSY	1				
2	36631590001	VALVE,MANUAL CONTROL (OUTRIGGER)	1				
3	37000517690	PLATE	1				
4	37000105610	PIN	10		L=18		
5	80136320010	PIN,SPLIT	10		2X10		
6	32700430010	SUPPORT	1				
7	37000127610	PIN	1				
9	37000502190	PLATE	1				
10	31320020010	KNOB (BLACK)	4				
11	31320020020	KNOB (RED)	1				
13	32700210020	LEVER	1				
14	32700210030	LEVER	1				
15	32700210040	LEVER	1				
16	32700210050	LEVER	1				
17	32700210060	LEVER	1				
20	37000303030	SPACER	2		L=33.5		
21	37000302240	SPACER	1		L=46		
22	90101208014	BOLT	4		M8X14		
23	90302040801	WASHER,SPRING	7		8		
24	90201200800	NUT	1		M8		
25	90101208025	BOLT	3		M8X25		
26	32700210070	ROD	5				
27	90303070801	WASHER,PLAIN	2		8		
28	80456950401	JOINT,SELF SEALING (COUPLER)	1				
31	32700212010	SUPPORT	1				
32	90132210020	BOLT,HEXAGON SOCKET	2		M10X20		
33	90302041001	WASHER,SPRING	2		10		
34	90303071001	WASHER,PLAIN	2		10		
35	90102208050	BOLT	1		M8X50		
36	90201200800	NUT	2		M8		
37	32700212020	SUPPORT	1				
38	37000303000	SPACER	1				
39	32700212030	LEVER	1				
40	37000303010	SPACER	1				
41	90303071201	WASHER,PLAIN	1		12		
42	90101212045	BOLT	1		M12X45	275720	275719
	90101212060	BOLT	1		M12X60		
43	90101208014	BOLT	2		M8X14		
44	32700212040	END	1				
45	37000115480	PIN	1				
46	80136320016	PIN,SPLIT	1		2X16		
47	90302041201	WASHER,SPRING	1		12	275720	
63	90302040801	WASHER,SPRING	1		8		
100	32700438010	LEVER ASSY	1				
129	80307010080	FITTING	1				
130	81408000130	PIPE,STEEL	1	M	10X1.8T		
131	80302090101	FITTING	1		KCO10-020N		
132	91002801100	O-RING	1		1B P11		

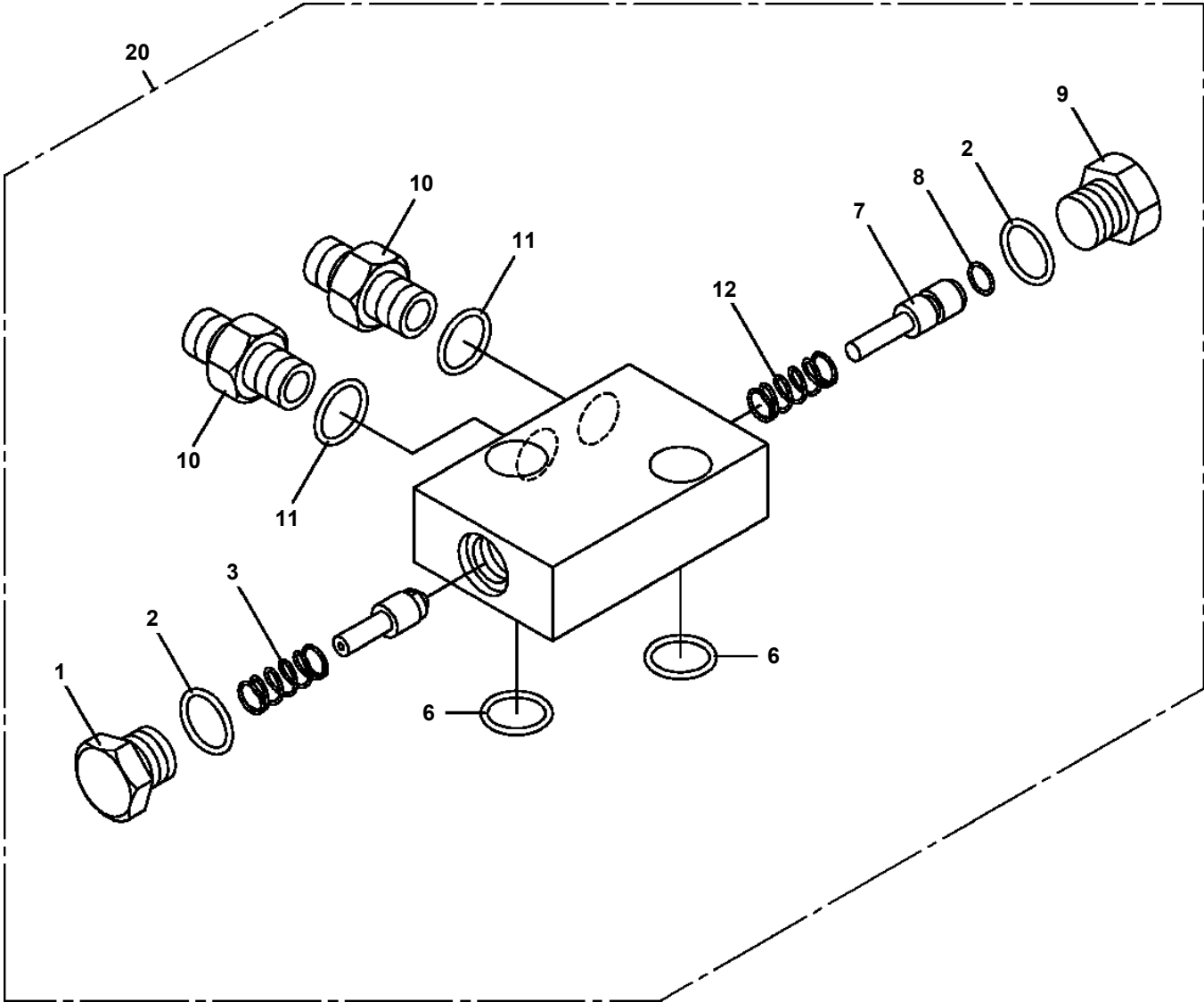
DT-620-1-21100 LOWER, MITSUBISHI PDG-FE73DBY6KA4
PH5031660-00 HARNESS (IN CAB)



DT-620-1-21100 LOWER, MITSUBISHI PDG-FE73DBY6KA4
PH5034401-00 HARNESS



DT-620-1-21100 LOWER, MITSUBISHI PDG-FE73DBY6KA4
PI1280035-00 VALVE, PILOT CHECK



CLICK HERE TO **DOWNLOAD** THE COMPLETE MANUAL

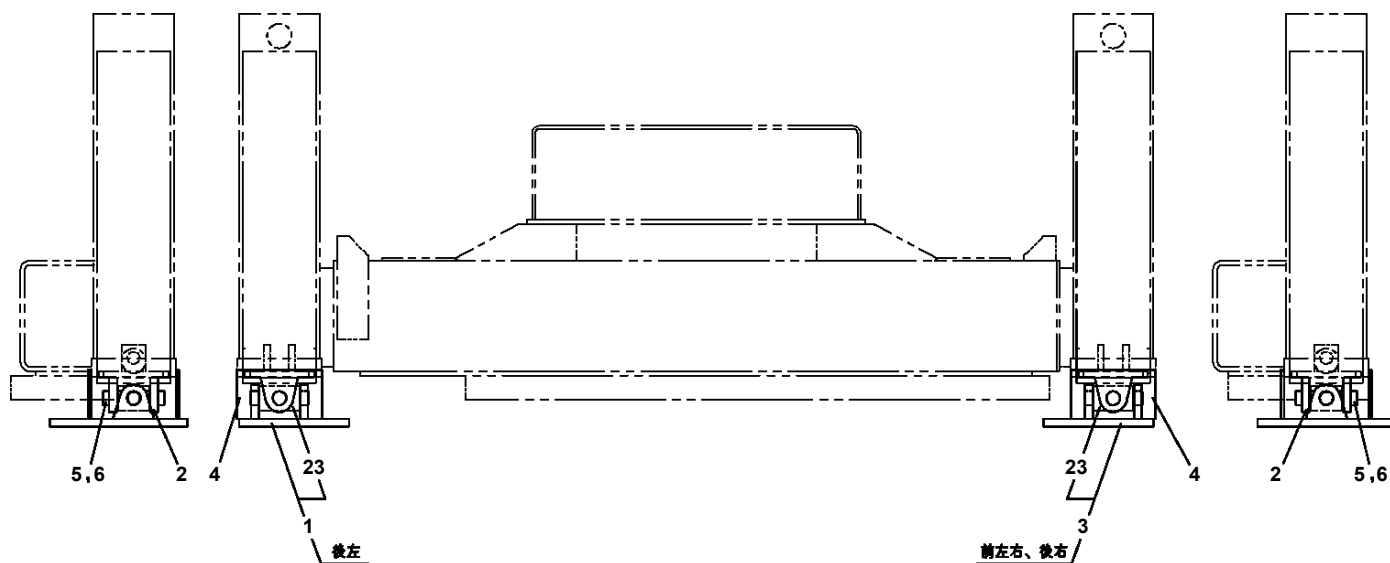
- Thank you very much for reading the preview of the manual.
- You can download the complete manual from: www.heydownloads.com by clicking the link below



- Please note: If there is no response to CLICKING the link, please download this PDF first and then click on it.

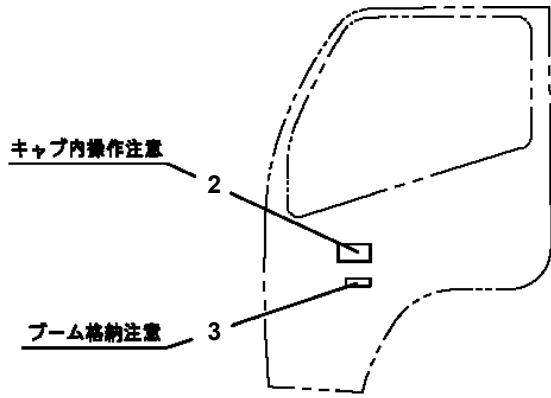
CLICK HERE TO **DOWNLOAD** THE COMPLETE MANUAL

DT-620-1-21100 LOWER, MITSUBISHI PDG-FE73DBY6KA4
PM5150247-00 MODIFICATION ASSY (O/R FLOAT: TRUNNION)

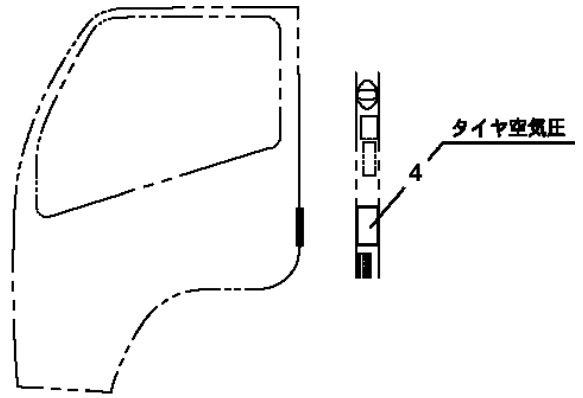


リヤO/R 後方より見る

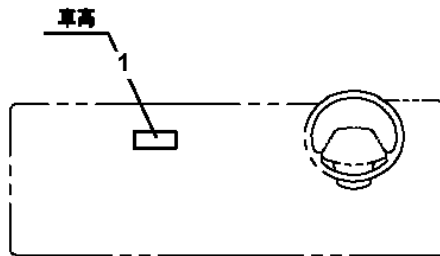
DT-620-1-21100 LOWER, MITSUBISHI PDG-FE73DBY6KA4
 PN5011207-00 NAME PLATE ASSY (VEHICLE HEIGHT)



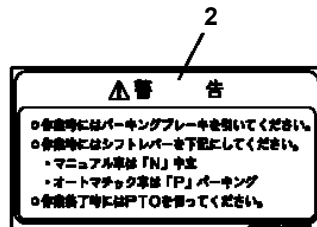
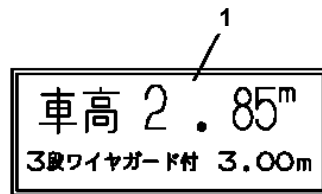
ドア内側参考貼付位置



ドア側面部参考貼付位置



インパネ部参考貼付位置

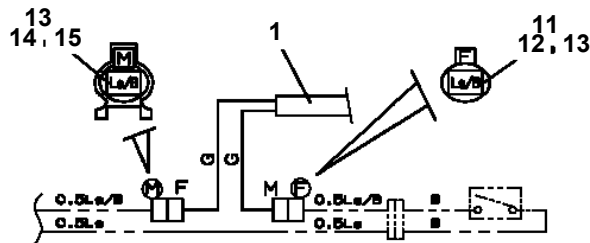
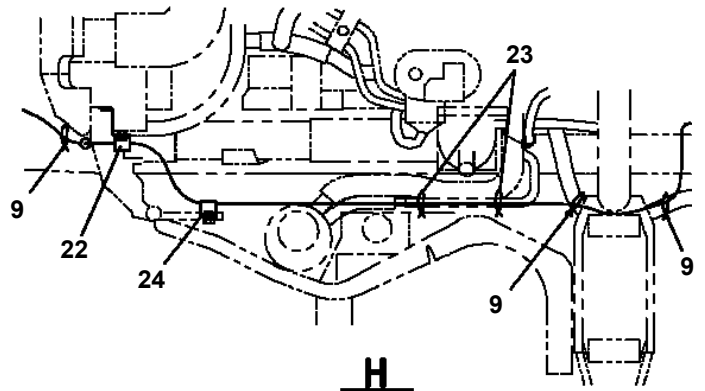
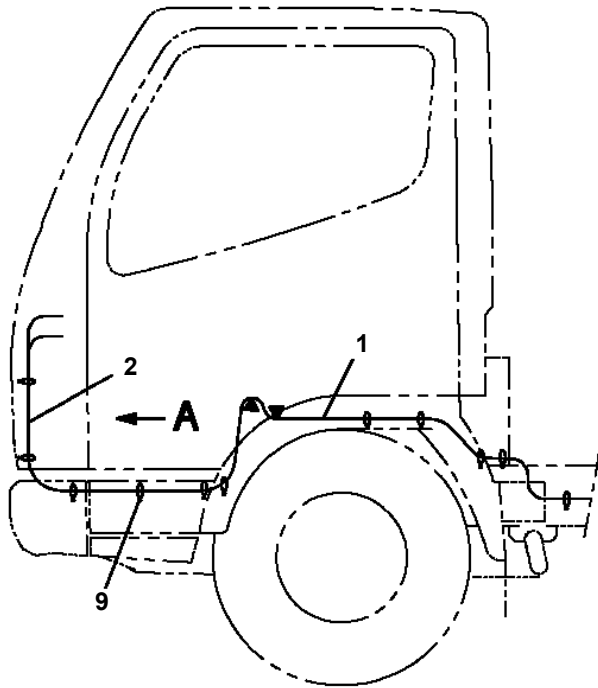
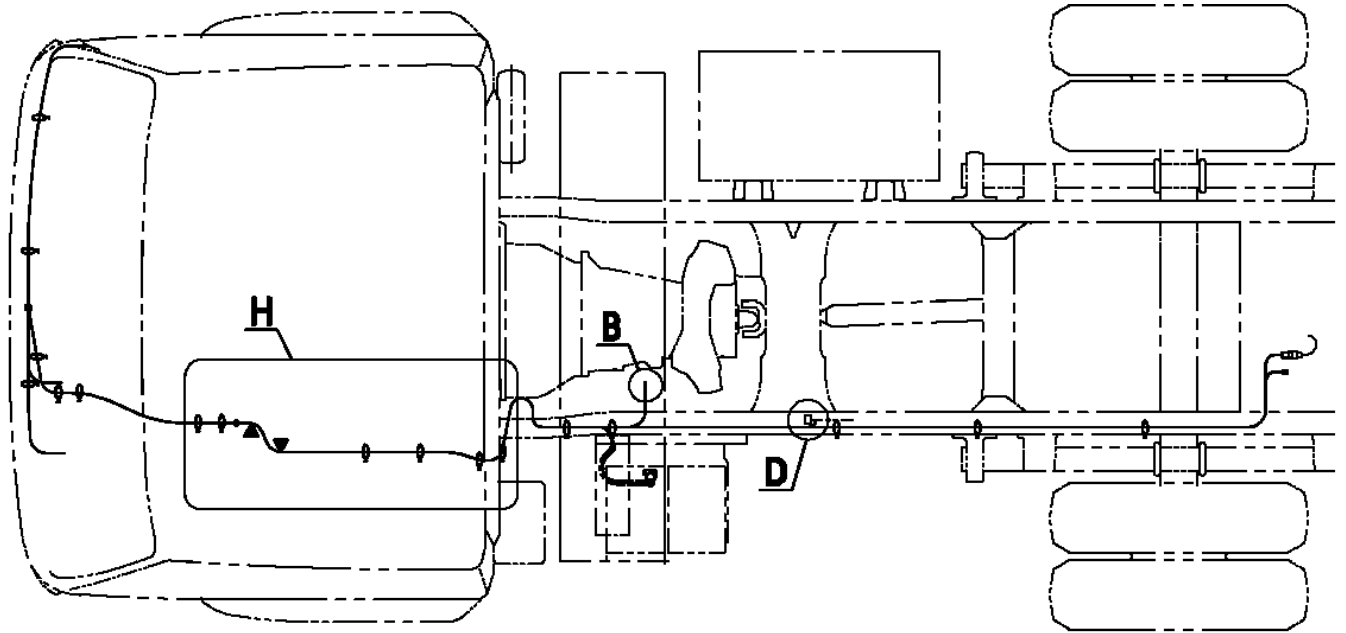


4

タイヤ空気圧 kPa (kgf/cm ²)		
タイヤサイズ	前輪	後輪
195/85R16	600	600
114/112L	65.000	65.000
205/80R17.5	600	600
120/118L	65.000	65.000
205/85R16	600	600
117/115L	65.000	65.000
215/70R17.5	775	775
133/121J	77.750	77.750
215/85R16	600	600
120/118L	65.000	65.000
225/70R16	600	600
118/116L	65.000	65.000
225/85R16	600	600
121/119L	65.000	65.000
225/80R17.5	700	700
123/122L (14PRL)	77.000	77.000
7.00-16-12PRL	575	575
	6.750	6.750
7.50-16-10PRL	525	525
	6.250	6.250
7.50-16-12PRL	600	600
	65.000	65.000
7.50-16-14PRL	650	650
	65.000	65.000
7.50R16-12PRL	600	600
	65.000	65.000
7.50R16-14PRL	700	700
	77.000	77.000
0.250R16-12PRL	575	575

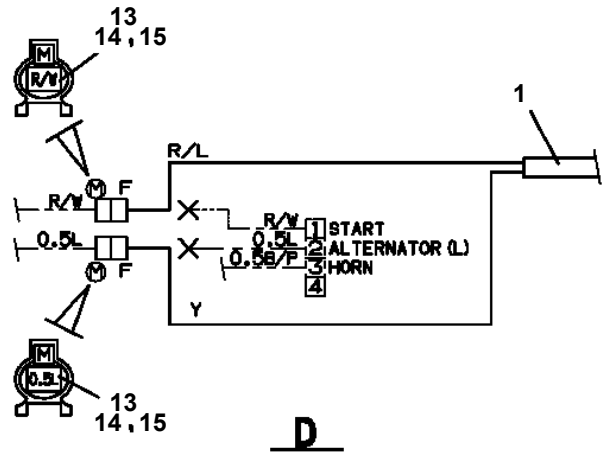
270-599-01-020

**DT-620-1-21100 LOWER, MITSUBISHI PDG-FE73DBY6KA4
PP5320004-00 POWER SUPPLY**



B
PTO操作検出

PTO OPERATION DETECTION



D
エンジン始動
エンジン回転中検出

ENGINE START
ENGINE REVOLUTION DETECTION

DT-620-1-21100 LOWER,MITSUBISHI PDG-FE73DBY6KA4

Pos No.	Parts No	Parts Name	Qty	Unit	Technical Data	Serial No (Start)	Serial No (End)	Remarks	Page
1	36622941300	PLUG	1						
2	91002801400	O-RING	2		1B P14				
3	12515186000	SPRING	1						
6	91002801000	O-RING	2		1B P10				
7	36622941200	PISTON	1						
8	91002800700	O-RING	1		1B P7				
9	36620030050	PLUG	1						
10	80400160127	JOINT	2						
11	91002801100	O-RING	2		1B P11				
12	37001202220	SPRING	1						
20	36622940001	VALVE ASSY,CHECK	1						

DT-620-1-21100 LOWER,MITSUBISHI PDG-FE73DBY6KA4

Pos No.	Parts No	Parts Name	Qty	Unit	Technical Data	Serial No (Start)	Serial No (End)	Remarks	Pages
1	32691020010	PLATE	2						
2	32691020020	PLATE	2						

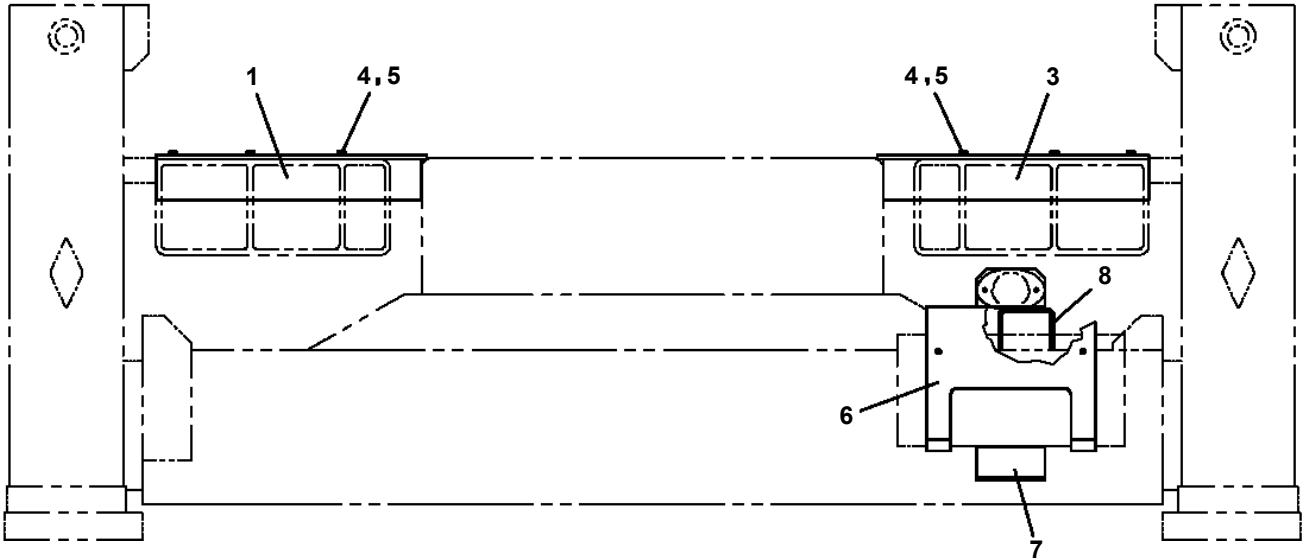
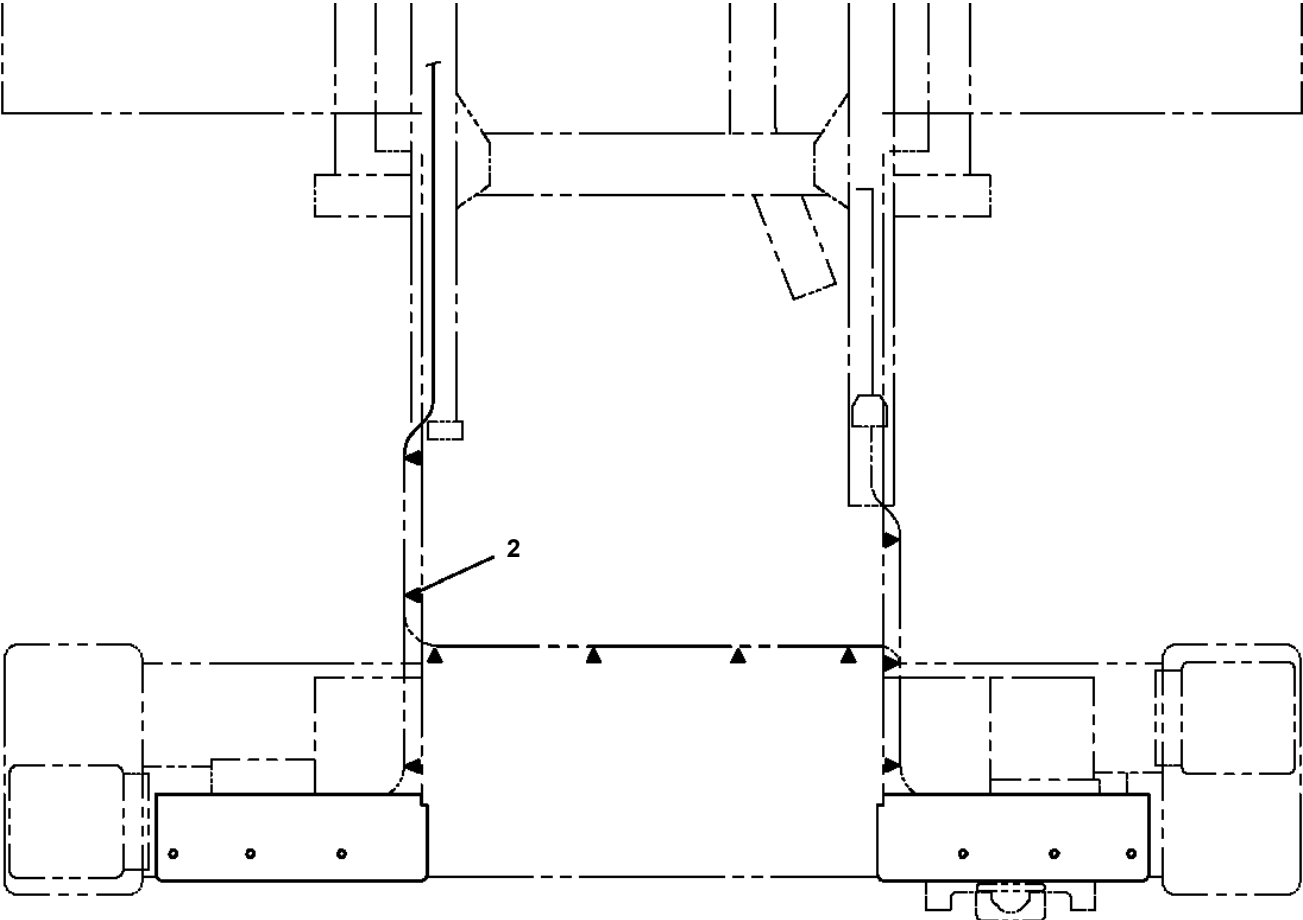
DT-620-1-21100 LOWER,MITSUBISHI PDG-FE73DBY6KA4

Pos No.	Parts No	Parts Name	Qty	Unit	Technical Data	Serial No (Start)	Serial No (End)	Remarks	Pages
1	32731990100	GUARD,SIDE	1						
2	90101210020	BOLT	1		M10X20				
3	32731990300	SUPPORT	1						
4	42783301200	BOLT	2						
5	90258901000	NUT,WING	2		M10				
6	90303071001	WASHER,PLAIN	2		10				

DT-620-1-21100 LOWER,MITSUBISHI PDG-FE73DBY6KA4

Pos No.	Parts No	Parts Name	Qty	Unit	Technical Data	Serial No (Start)	Serial No (End)	Remarks	Pages
2	32760950010	NUT	1						
3	32730082030	SUPPORT	1						
5	32730122020	SUPPORT	1						
6	90101210016	BOLT	2		M10X16				
7	90302041001	WASHER,SPRING	2		10				

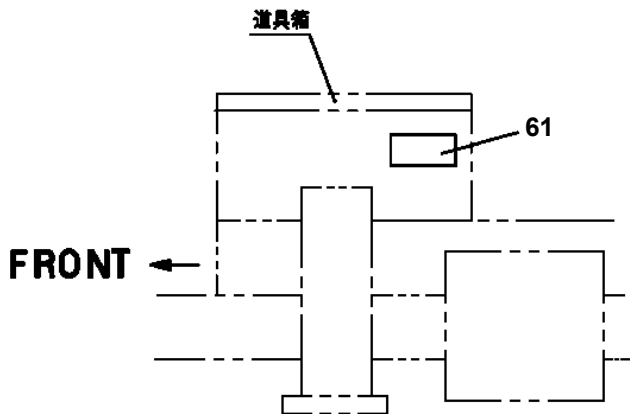
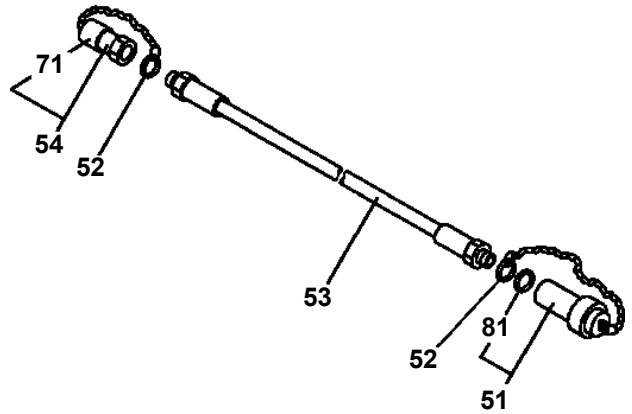
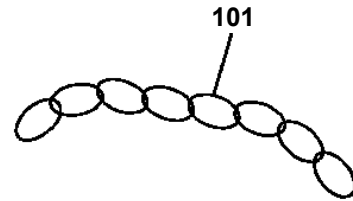
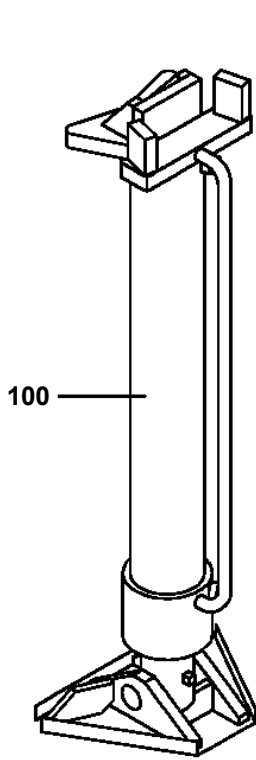
**DT-620-1-21100 LOWER, MITSUBISHI PDG-FE73DBY6KA4
PX5740072-00 MOUNT ASSY, TAIL LAMP**



DT-620-1-21100 LOWER,MITSUBISHI PDG-FE73DBY6KA4

Pos No.	Parts No	Parts Name	Qty	Unit	Technical Data	Serial No (Start)	Serial No (End)	Remark
1	32730380010	SWITCH ASSY	1				275708	
2	32730250010	HARNESS	1				275708	
	32730250040	HARNESS	1			275709		
3	82100001173	CLAMP ASSY	14		L=65			
5	42730071000	GUARD	4					
6	90101206016	BOLT	16		M6X16			
7	90302040601	WASHER,SPRING	16		6			
8	90201200600	NUT	16		M6			
9	32730250020	COVER	4					
10	82100002002	CLAMP	4		WR6			
11	91810130240	FASTENER	10					
12	82100001840	FUSE	1		15A,BLUE			
13	82199444326	LAMP (YELLOW) <24V 12W)	4					
14	37000302980	SPACER	8		L=10		275727	
15	90186206030	BOLT,FLANGE	16		M6X30		275727	
	90186206030	BOLT,FLANGE	8		M6X30	275728		
16	37000306130	SPACER	8		L=8		275727	
17	42502980100	SUPPORT	4				275727	
18	90280200600	NUT,FLANGE	16		M6		275727	
	90280200600	NUT,FLANGE	8		M6	275728		
20	42505221200	GUARD	4			275728		
	42505221100	GUARD (STEEL CAST)	4			275728		
21	42505000010	HARNESS	4			275728		
31	90101208016	BOLT	2		M8X16			
32	90302040801	WASHER,SPRING	2		8			
33	82100000895	SWITCH,TOGGLE	1					
34	82100000665	CAP (BLACK)	1					
35	32730380500	COVER	1					
36	32730382020	SUPPORT	1					
38	90101206012	BOLT	2		M6X12	275829		
39	90302040601	WASHER,SPRING	2		6	275829		
46	90201200600	NUT	2		M6	275829		
49	42502020010	PLATE,NAME	1					
51	32730250030	SWITCH ASSY	1			275709		
53	82199444329	LAMP (YELLOW)	4		24V 12W			
55	42737850100	GUARD	4				275727	
66	82166136411	BULB,LAMP	4		24V/12W			
81	82166600010	BULB,LAMP	4		24V/12W			
112	82100002785	HOLDER,FUSE	1			275829		
113	82100001837	FUSE	1		5A	275829		
114	82100002033	CLAMP	1			275829		

DT-620-1-21100 LOWER, MITSUBISHI PDG-FE73DBY6KA4
 PY1600000-05 CYLINDER, POLE PULLER

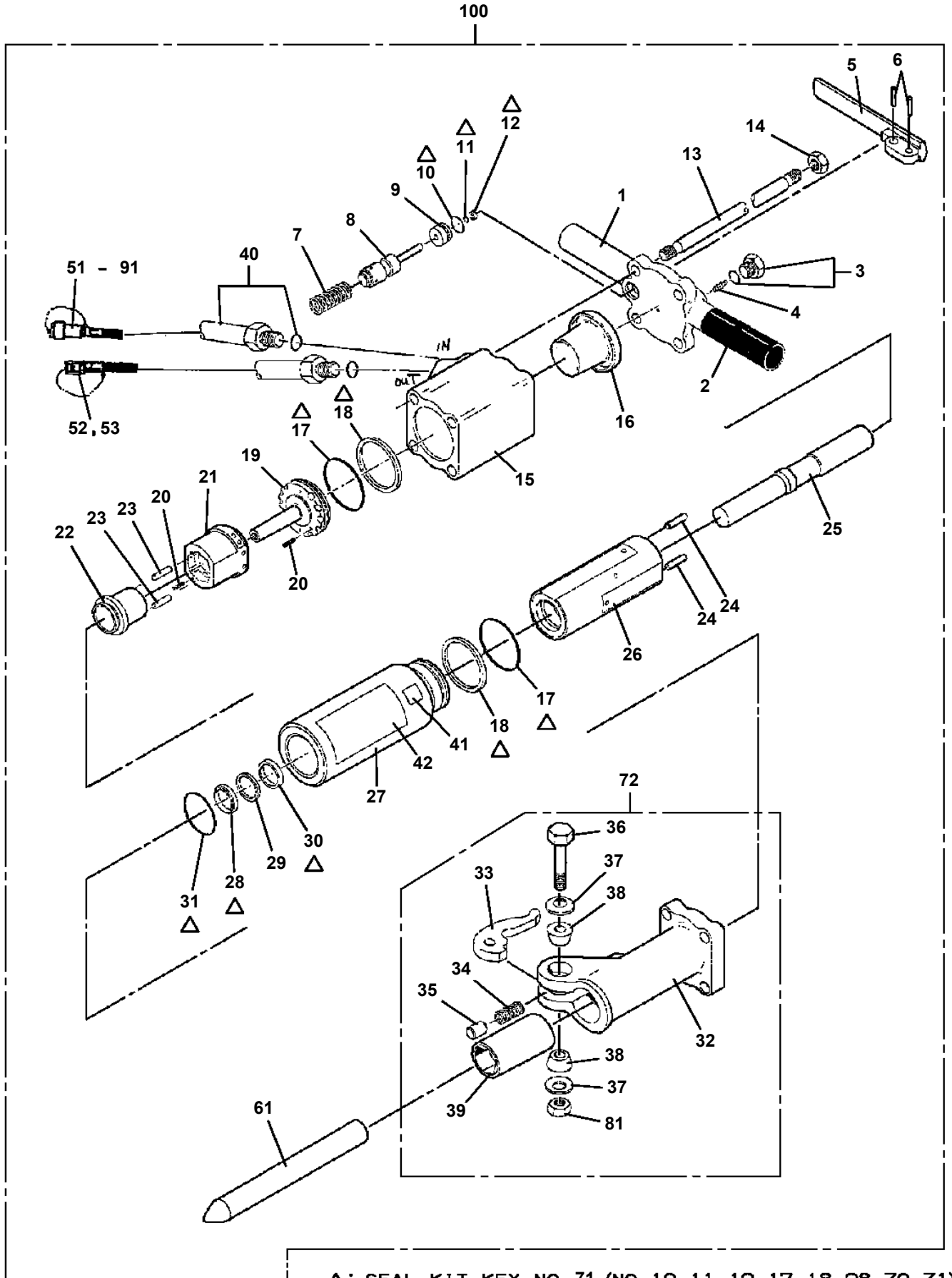


61

抜柱機取扱い方法

1. 抜き機を電機に接続し、チェーンをねじらないように2層に巻回す。
2. 抜き機が使用本機とは、向きを逆にしてください。
3. ホースを、抜き機と油圧源出口に接続してください。
4. レバーをゆっくり操作し、抜き機を降下してください。

**DT-620-1-21100 LOWER, MITSUBISHI PDG-FE73DBY6KA4
PY1840002-04 BREAKER (BR45)**



Δ: SEAL KIT KEY NO. 71 (NO. 10, 11, 12, 17, 18, 28, 30, 31)

CLICK HERE TO **DOWNLOAD** THE COMPLETE MANUAL

- Thank you very much for reading the preview of the manual.
- You can download the complete manual from: www.heydownloads.com by clicking the link below



- Please note: If there is no response to CLICKING the link, please download this PDF first and then click on it.

CLICK HERE TO **DOWNLOAD** THE COMPLETE MANUAL