

AT-80-1 42006142200 LOWER,ISUZU KR-NHR69EV-4VXHY

PB3000070-00 POWER UNIT

PO1000149-00 INDICATION PLATES

PX2000454-00 CARRIER UNIT

PX3000039-01 MOUNTING UNIT

PY1000916-00 OPTIONS

ASSEMBLY

CLICK HERE TO **DOWNLOAD** THE COMPLETE MANUAL

- Thank you very much for reading the preview of the manual.
- You can download the complete manual from: www.heydownloads.com by clicking the link below



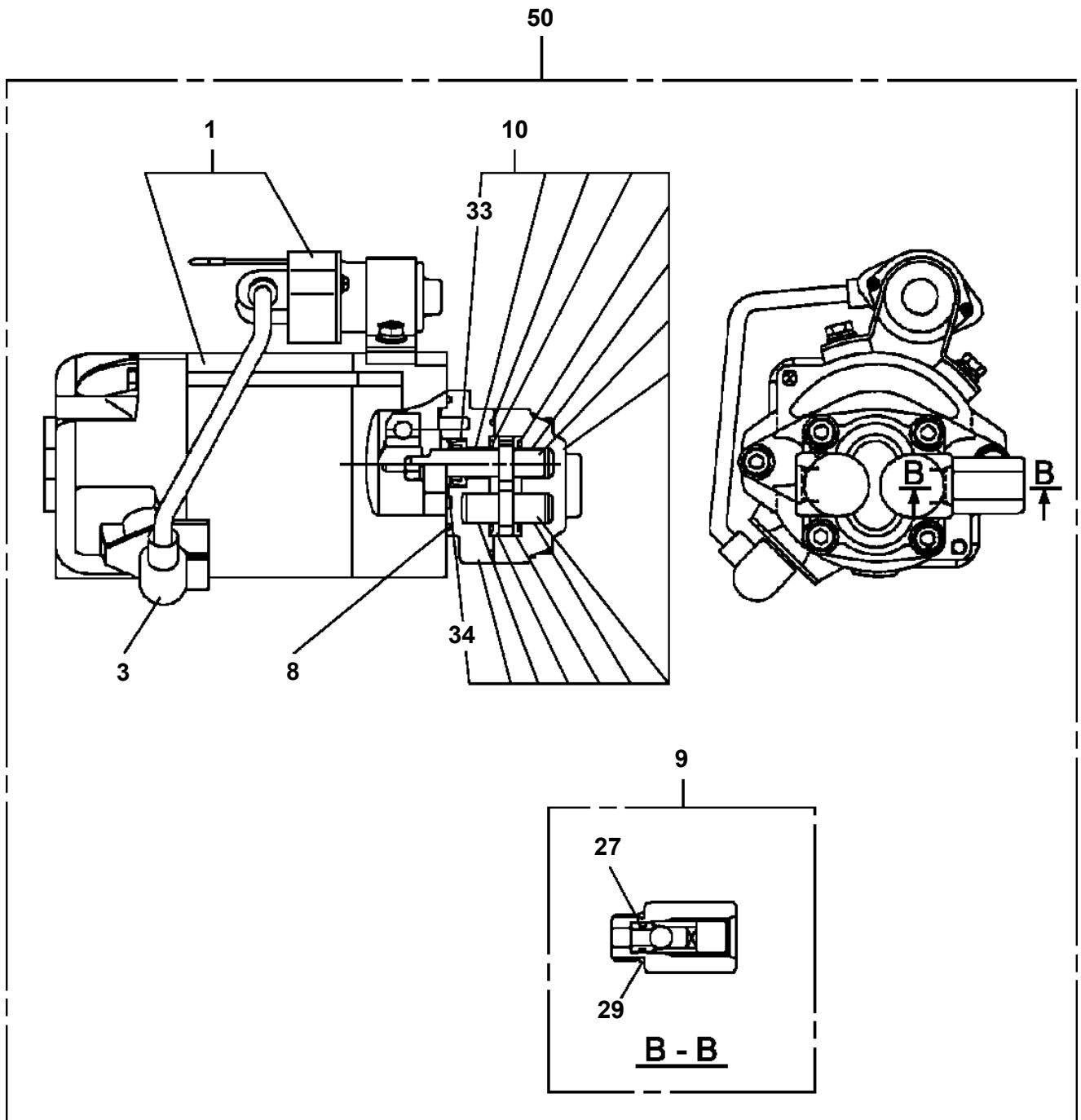
- Please note: If there is no response to CLICKING the link, please download this PDF first and then click on it.

CLICK HERE TO **DOWNLOAD** THE COMPLETE MANUAL

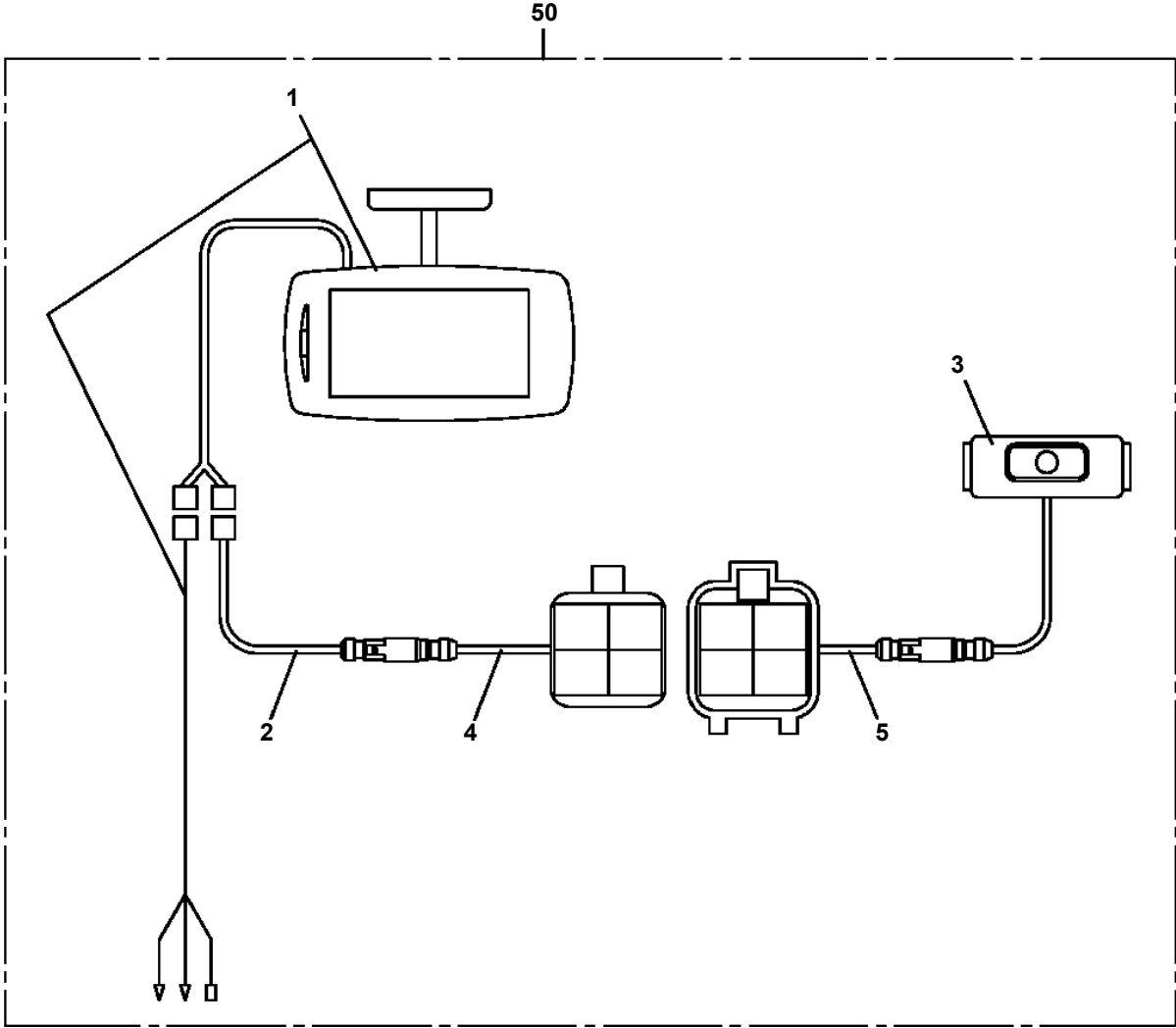
AT-80-1 42006142200 LOWER,ISUZU KR-NHR69EV-4VXHY

Pos No.	Parts No	Parts Name	Qty	Unit	Technical Data	Serial No (Start)	Serial
1	(*****)	BOX,TOOL (LEFT)	1				
2	(*****)	BOX,TOOL (RIGHT)	1				
3	(*****)	COVER (FOR NTT/EMERGENCY STOP SW)	1				
4	(*****)	ELEC.ASSY	1				
5	(*****)	VIEW SYSTEM (BACK MONITOR/MONOCROME)	1				
6	(*****)	VIEW SYSTEM (ISUZU/COLOR:ST-800)	1				
7	(*****)	WOOD BLOCK (LARGE-SIZE)	1				

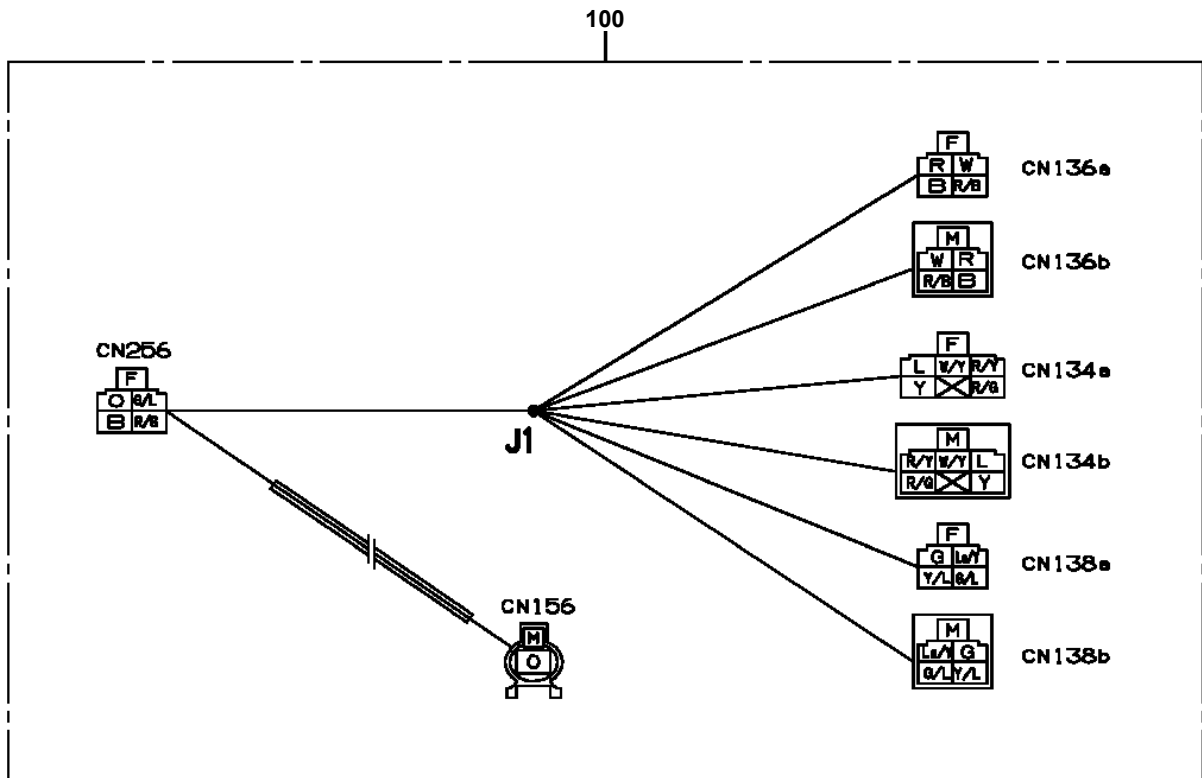
AT-80-1 42006142200 LOWER,ISUZU KR-NHR69EV-4VXHY
PB1100337-00 PUMP,HYDRAULIC (EMERGENCY)



AT-80-1 42006142200 LOWER,ISUZU KR-NHR69EV-4VXHY
PH1700167-00 VIEW SYSTEM

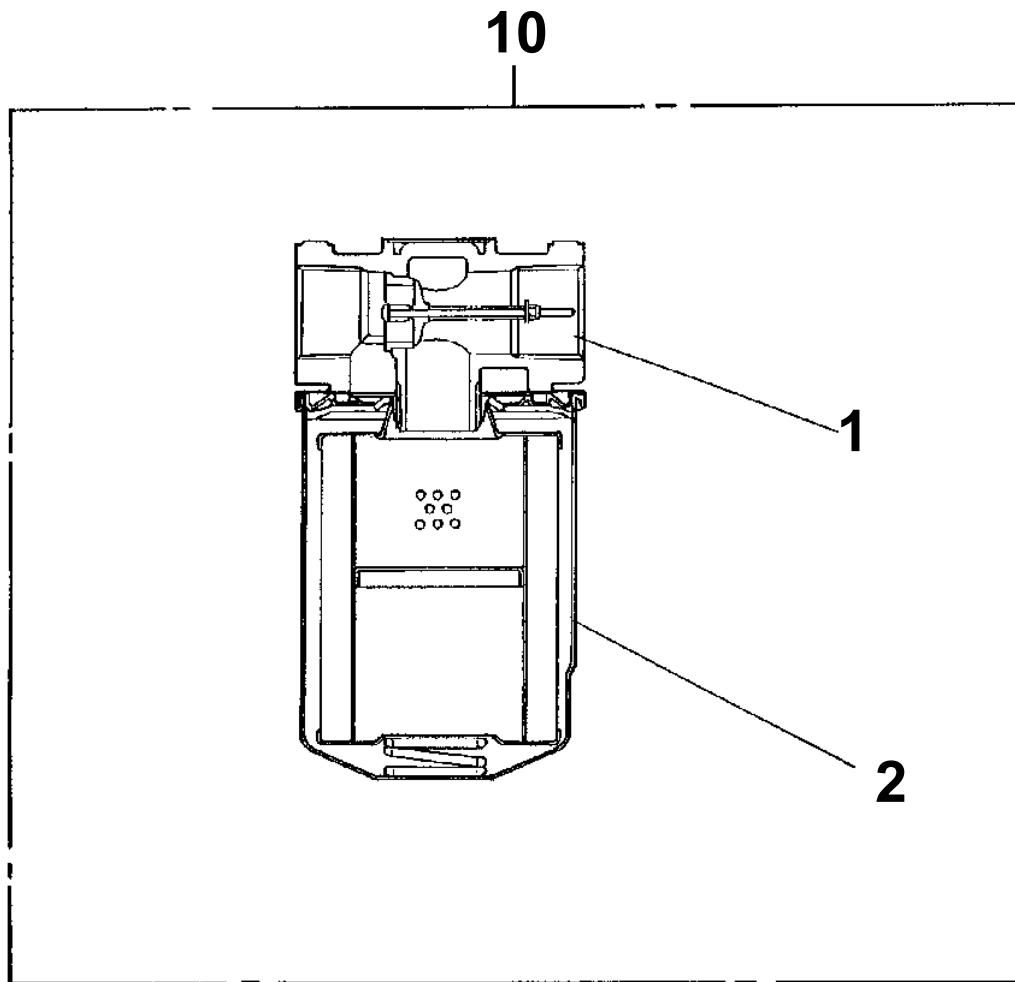


AT-80-1 42006142200 LOWER,ISUZU KR-NHR69EV-4VXH
 PH5033109-00 HARNESS



AT-80-1 42006142200 LOWER, ISUZU KR-NHR69EV-4VXHY
PI1300061-02 FILTER, OIL (YAMASHIN)

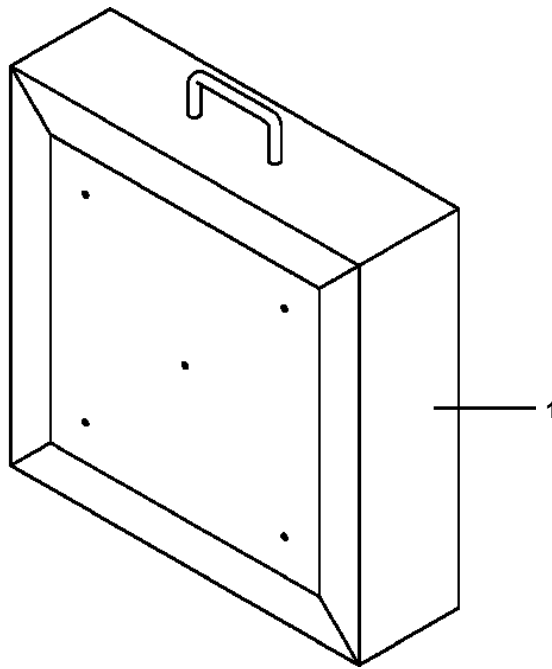
Assembly Name FILTER, OIL



AT-80-1 42006142200 LOWER,ISUZU KR-NHR69EV-4VXHY

Pos No.	Parts No	Parts Name	Qty	Unit	Technical Data	Serial No (Start)	Serial No (End)	Remarks	Pages
2	37001709170	CABLE,CONTROL	1				HH5078		
	37001709171	CABLE,CONTROL	1		L=2250	HH5079			
3	42714340800	SUPPORT	1				HH5048		
	42714340801	SUPPORT	1			HH5049			
4	90101206016	BOLT	1		M6X16				
5	90302040601	WASHER,SPRING	5		6				
6	42714340700	SUPPORT	1				HH5048		
	42714340701	SUPPORT	1			HH5049			
7	31710230200	PIN	1						
8	90303070601	WASHER,PLAIN	3		6				
10	91810130240	FASTENER	6						
12	42714344500	HARNESS	1						000020
13	80136320012	PIN,SPLIT	1		2X12				
14	37000105720	PIN	1						
15	90101206010	BOLT	4		M6X1.0				
16	42714344600	SUPPORT	1						
17	90101208016	BOLT	3		M8X16				
18	90302040801	WASHER,SPRING	3		8				
19	80136325014	PIN,SPLIT	1		2.5X14				
20	90303070801	WASHER,PLAIN	1		8				
21	80172303010	SCREW,MACHINE	1		M3X10		HH5048		
	90101204012	BOLT	1		M4X12	HH5049			
22	90201200300	NUT	1		M3				
23	90201200400	NUT	1		M4	HH5049			
31	80172303008	SCREW,MACHINE	8		M3X8				
32	90302040301	WASHER,SPRING	8		3				
33	80192484008	SCREW,MACHINE	4		M4X8				
34	42710010270	COVER	1						
35	42714344100	SOLENOID ASSY	1						
36	90201200800	NUT	4		M8				
37	90190208030	BOLT	2		M8X30				
38	42710040110	BOLT	1						
39	42710010280	LINK	1						
40	42713541100	CASE	1						
41	16311103000	SPRING	1						
42	37000112850	PIN	2						
43	90303070401	WASHER,PLAIN	2		4				
44	80136316010	PIN,SPLIT	2		1.6X10				
55	82100001706	SOLENOID	2		12V				
58	82100000266	DIODE	2						
69	80172303025	SCREW,MACHINE	1		M3X25				
71	90302040301	WASHER,SPRING	1		3				

AT-80-1 42006142200 LOWER,ISUZU KR-NHR69EV-4VXHY
PX1270125-00 WOOD BLOCK (WITH RUBBER,T=100)



AT-80-1 42006142200 LOWER,ISUZU KR-NHR69EV-4VXHY

Pos No.	Parts No	Parts Name	Qty	Unit	Technical Data	Serial No (Start)	Serial No (End)
1	42833977500	BOX,TOOL (FRONT)	1				
2	42833977502	BOX,TOOL (REAR)	1				
3	42833977504	PACKING	1				
4	42833977506	PACKING	1				
5	42833977508	PACKING	1				
6	42833977716	LAMP	3				
7	42833977512	HARNESS	1				
8	42833977514	STRAP (CABLE)	16				
9	42833977516	BOLT (BUTTON)	4		M8X10		
10	42833977518	BOLT (BUTTON)	55		M8X14		
11	42833977520	BOLT	15		M8X14		
12	42833977522	CAP	19				
13	42833977524	PLATE	1				
14	42833977526	RIVET	14				
15	42833977528	RACK (LEFT)	2				
16	42833977530	RACK (RIGHT)	2				
17	42833977532	BULB,LAMP (24V)	3				
18	42833977534	SCREW,MACHINE (WITH W,SW)	6		M5X16		
19	42833977536	BOX,TOOL (SLIDING DOOR,LEFT)	1				
20	42833977538	BOX,TOOL (SLIDING DOOR,RIGHT)	1				
21	42833977540	CUSHION	6				
22	42833977542	SEAT (FLOOR,LEFT)	1				
23	42833977544	SEAT (FLOOR,RIGHT)	1				
24	42833977546	SEAT (RACK,LEFT)	2				
25	42833977548	SEAT (RACK,RIGHT)	2				
101	82466188304	LOCK	4				
102	42833971710	PLATE	2				
103	42833971720	PLATE	2				
104	42833971730	PLATE	2				
105	42833971740	SUPPORT	2				HH5075
	42833971740	SUPPORT	1			HH5076	
106	80172804020	SCREW,MACHINE	8		M4X20		HH5075
	80172804025	SCREW,MACHINE	8		M4X25	HH5076	
107	90303520401	WASHER,PLAIN	28		4		
108	80172804012	SCREW,MACHINE	12		M4X12		HH5075
	80172804020	SCREW,MACHINE	8		M4X20	HH5076	
109	90201500400	NUT	28		M4		
110	80172804016	SCREW,MACHINE	8		M4X16		HH5075
	80172804016	SCREW,MACHINE	12		M4X16	HH5076	
111	90302510401	WASHER,SPRING	28		4	HH5076	
112	42833971790	SUPPORT	1			HH5076	
500	42833971001	BOX,TOOL	1				

CLICK HERE TO **DOWNLOAD** THE COMPLETE MANUAL

- Thank you very much for reading the preview of the manual.
- You can download the complete manual from: www.heydownloads.com by clicking the link below



- Please note: If there is no response to CLICKING the link, please download this PDF first and then click on it.

CLICK HERE TO **DOWNLOAD** THE COMPLETE MANUAL