

AT-270-2 42083230700 LOWER,HINO ADG-FC6JGWA-PK

PB3000218-00 POWER UNIT

PO1000123-00 INDICATION PLATES

PX2000709-00 CARRIER UNIT

PX3000415-01 MOUNTING UNIT

ASSEMBLY

CLICK HERE TO **DOWNLOAD** THE COMPLETE MANUAL

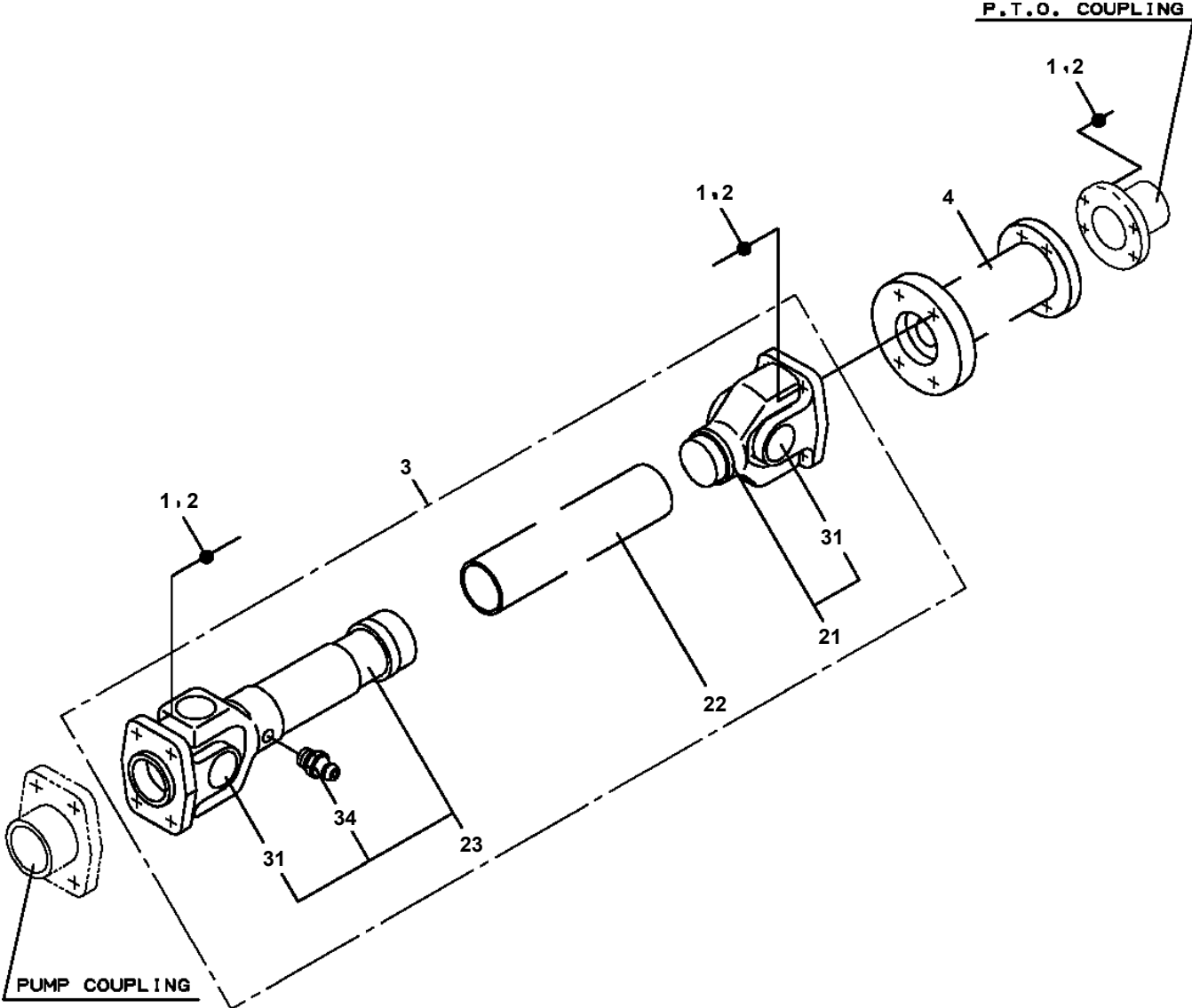
- Thank you very much for reading the preview of the manual.
- You can download the complete manual from: www.heydownloads.com by clicking the link below



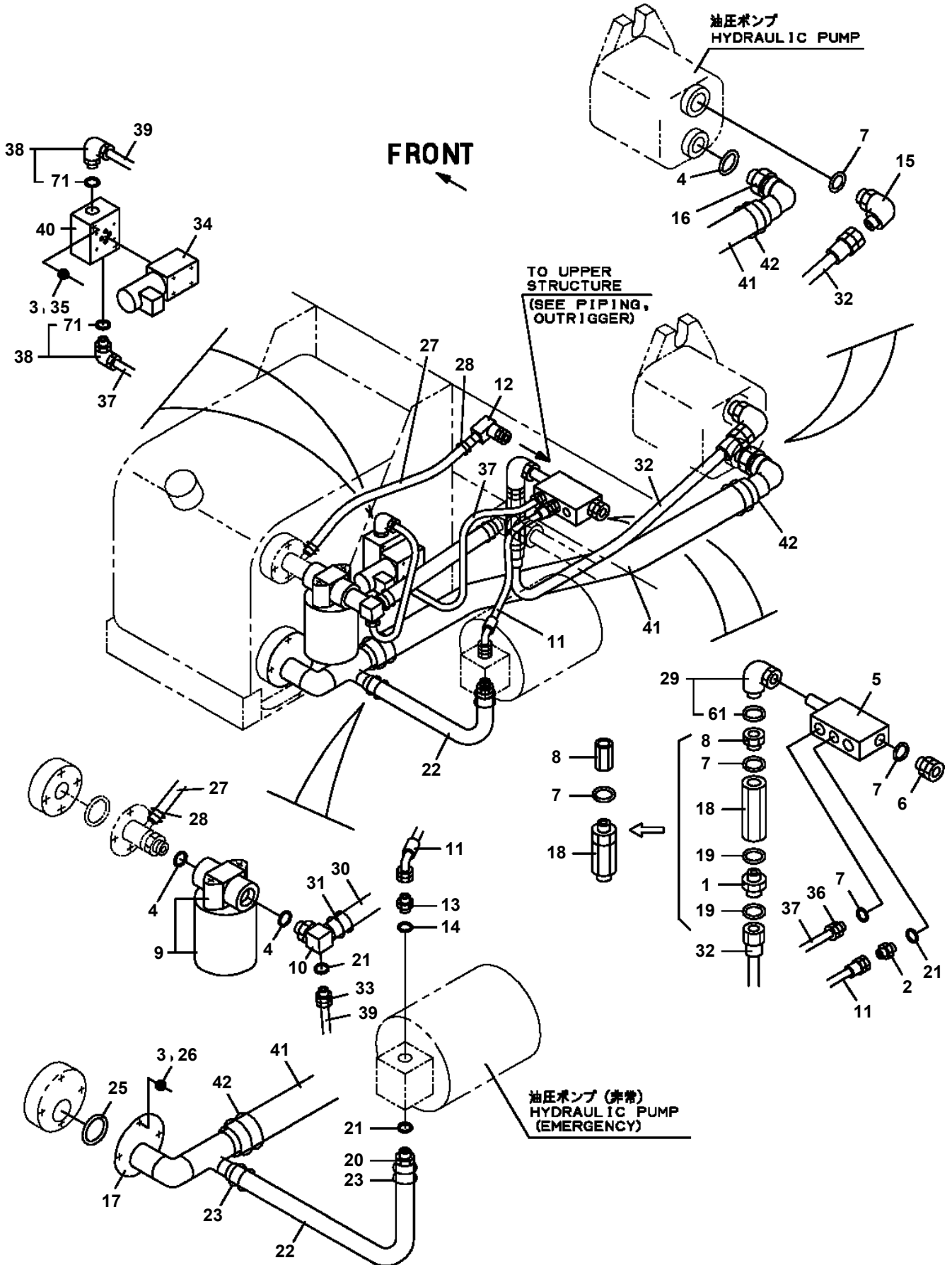
- Please note: If there is no response to CLICKING the link, please download this PDF first and then click on it.

CLICK HERE TO **DOWNLOAD** THE COMPLETE MANUAL

**AT-270-2 42083230700 LOWER,HINO ADG-FC6JGWA-PK
PB1070340-00 PROPELLER SHAFT,PUMP**

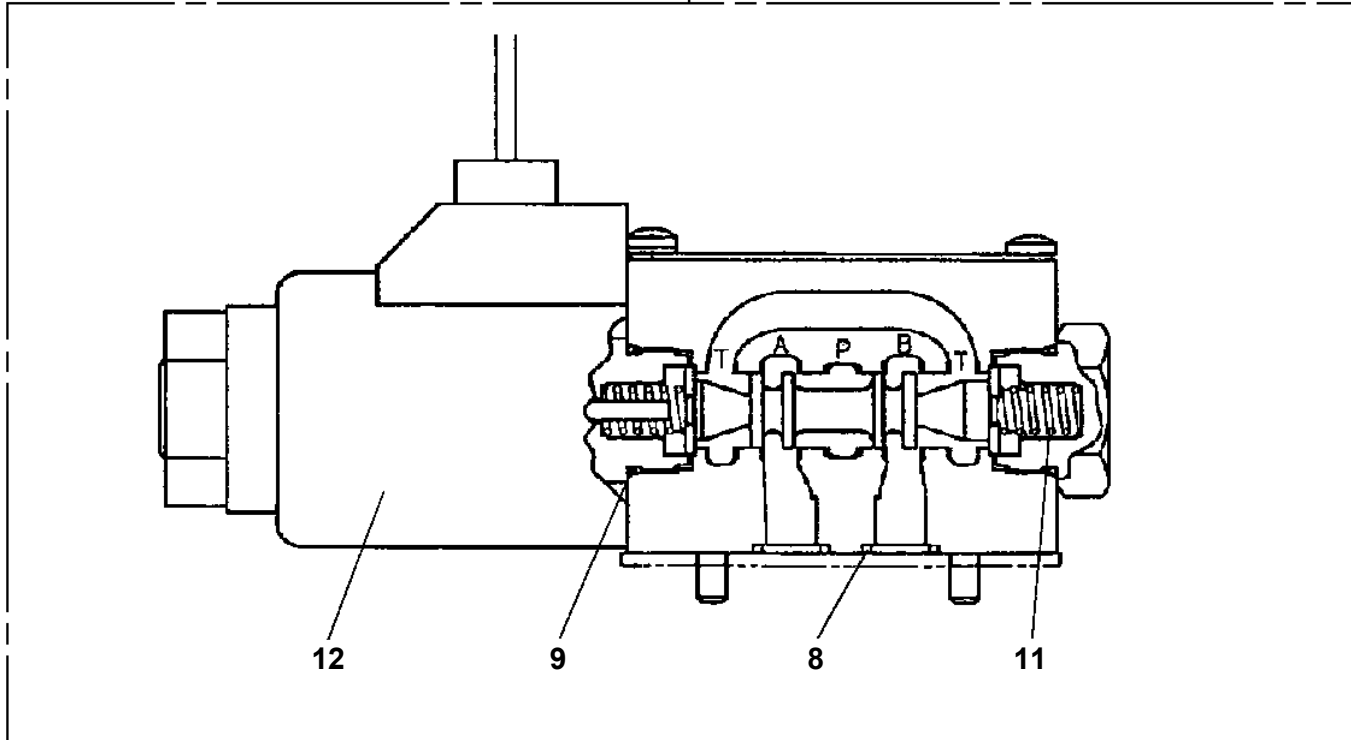


**AT-270-2 42083230700 LOWER,HINO ADG-FC6JGWA-PK
PB1411376-01 PIPING,LOWER**

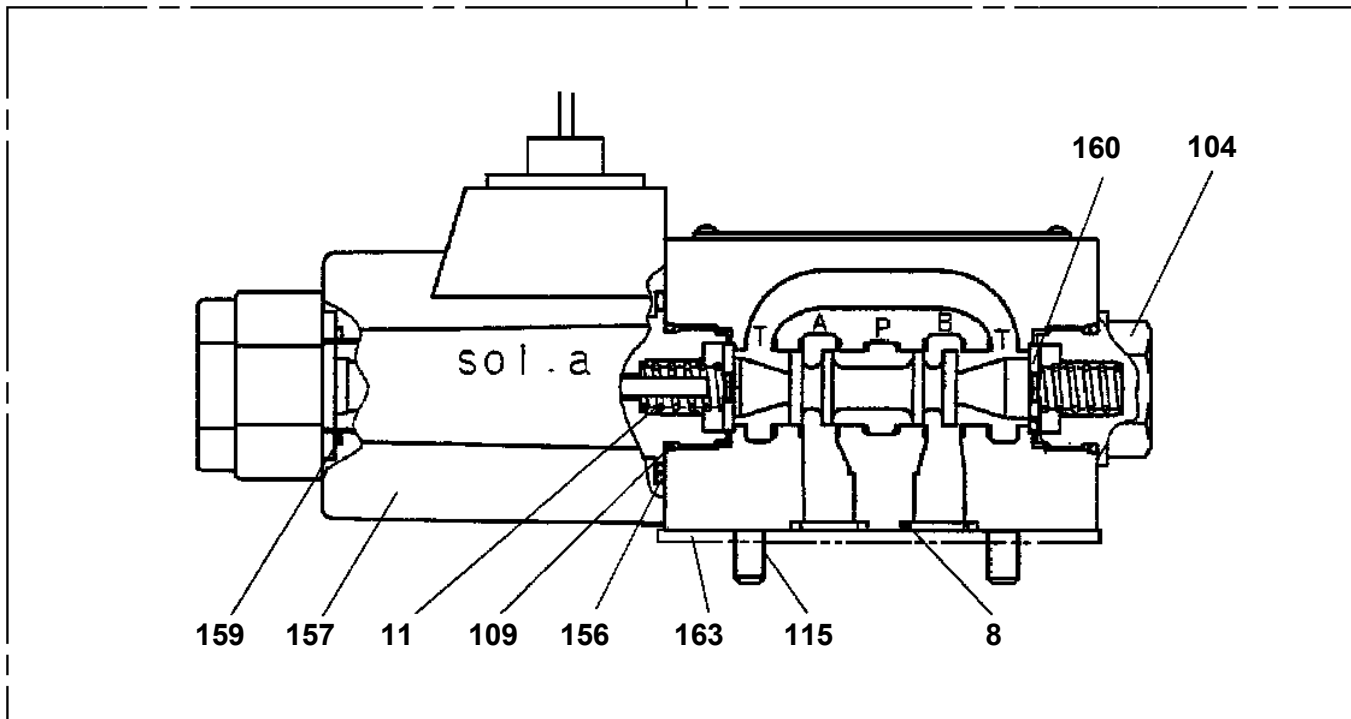


AT-270-2 42083230700 LOWER, HINO ADG-FC6JGWA-PK
PI1120265-01 VALVE, SOLENOID

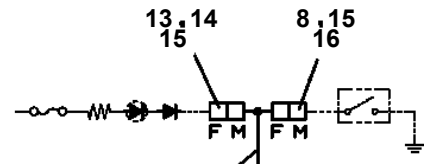
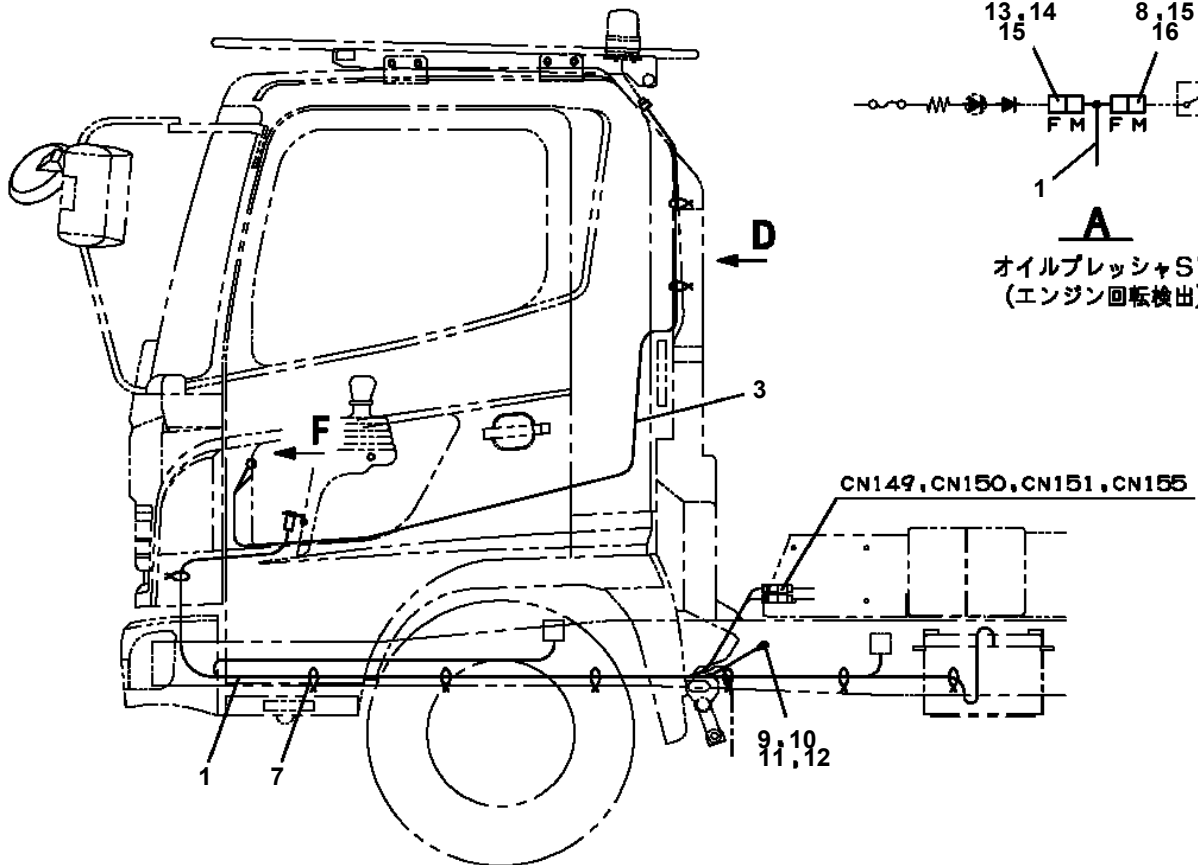
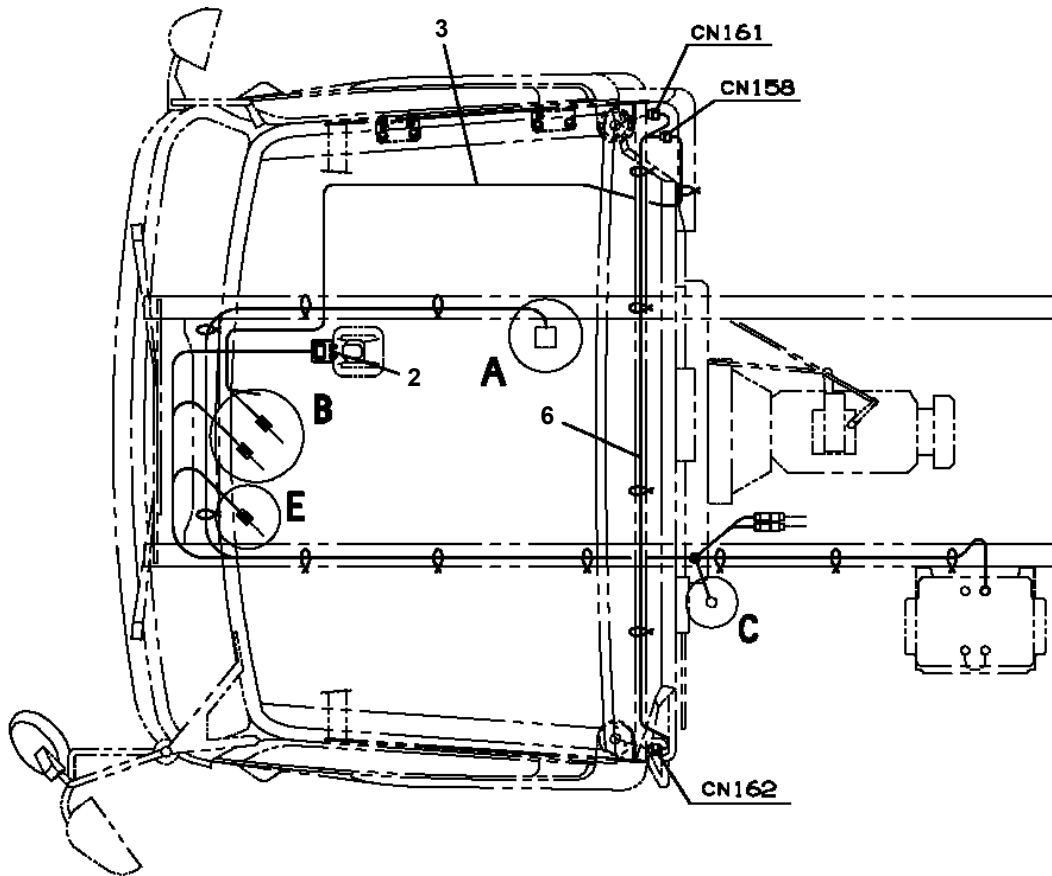
200



200



AT-270-2 42083230700 LOWER, HINO ADG-FC6JGWA-PK
 PN1014277-01 ELEC.ASSY (CARRIER)

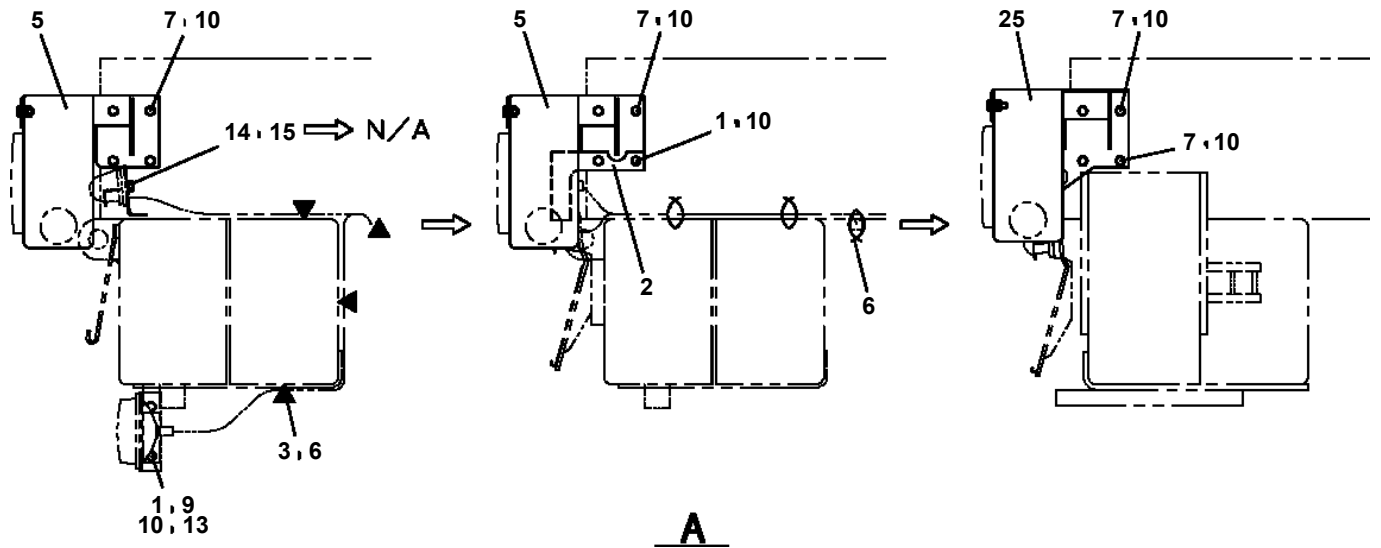


A
 オイルプレッシャSW
 (エンジン回転検出)

AT-270-2 42083230700 LOWER,HINO ADG-FC6JGWA-PK

Pos No.	Parts No	Parts Name	Qty	Unit	Technical Data	Serial No (Start)	Serial No (End)	Remarks	Pages
1	42698461000	FENDER (RIGHT)	1						
2	42698462000	FENDER (LEFT)	1						
3	42695100300	FENDER (RIGHT)	1				370819		
	42695100301	FENDER (RIGHT)	1			370820			
4	42695100400	FENDER (LEFT)	1						
5	42696460200	FENDER (RIGHT)	1						
6	42696460300	FENDER (LEFT)	1						
7	42696717000	SUPPORT	2						
8	37000505950	PLATE	24		T=3.2				
9	90186210025	BOLT,FLANGE	36		M10X25				
10	90186210020	BOLT,FLANGE	2		M10X20				
11	90280201000	NUT,FLANGE	10		M10				
12	42692330100	PLATE	N		T=1				

AT-270-2 42083230700 LOWER, HINO ADG-FC6JGWA-PK
PX1310267-02 MOUNT, LAMP (TAIL)



CLICK HERE TO **DOWNLOAD** THE COMPLETE MANUAL

- Thank you very much for reading the preview of the manual.
- You can download the complete manual from: www.heydownloads.com by clicking the link below



- Please note: If there is no response to CLICKING the link, please download this PDF first and then click on it.

CLICK HERE TO **DOWNLOAD** THE COMPLETE MANUAL