

# **AT-170-2 42087290130 MOUNTING ON SITE**

**PB0000275-02 UPPER STRUCTURE SYSTEM**

**PB0000501-00 LOWER STRUCTURE SYSTEM**

**ASSEMBLY**

CLICK HERE TO **DOWNLOAD** THE COMPLETE MANUAL

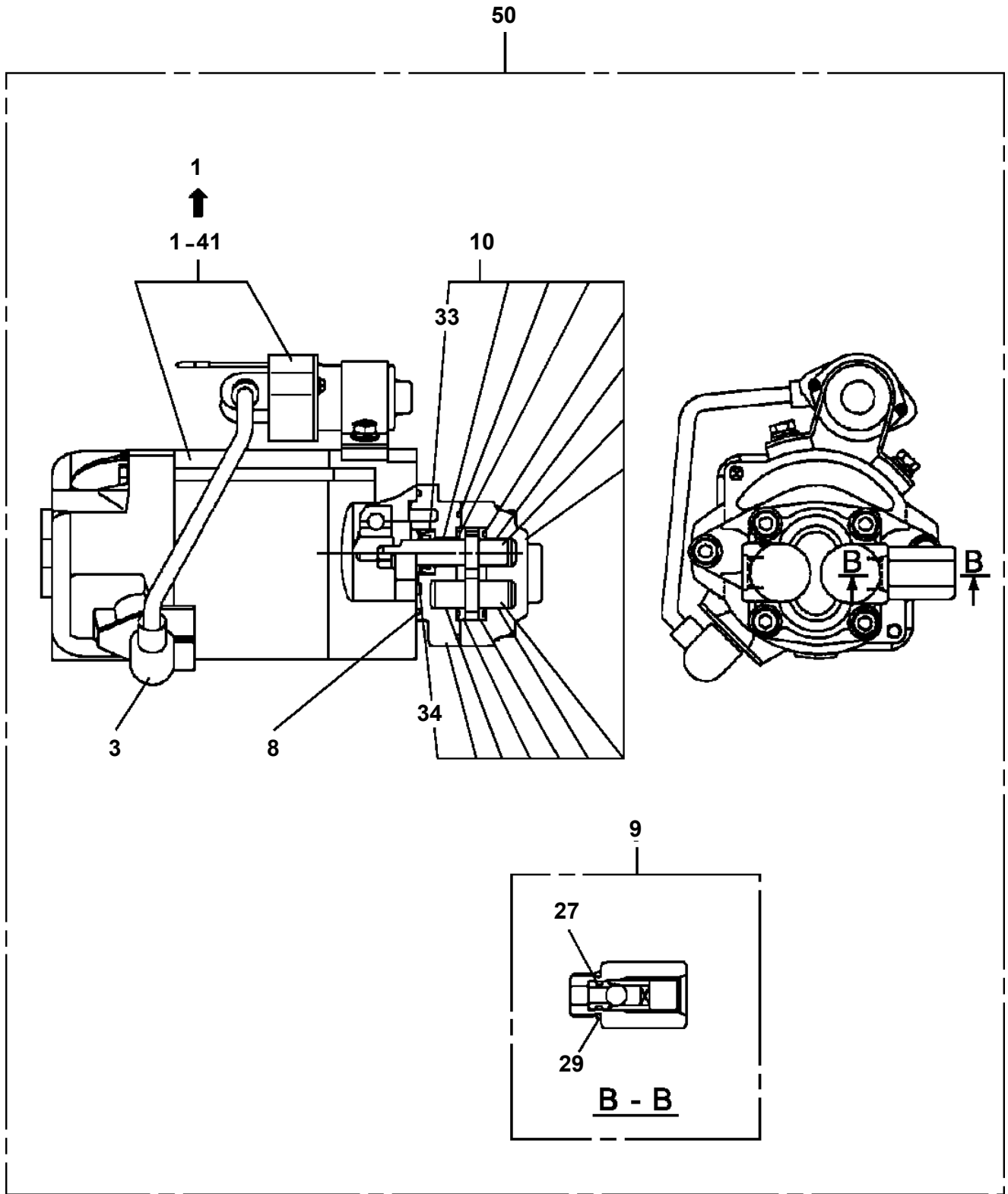
- Thank you very much for reading the preview of the manual.
- You can download the complete manual from: [www.heydownloads.com](http://www.heydownloads.com) by clicking the link below



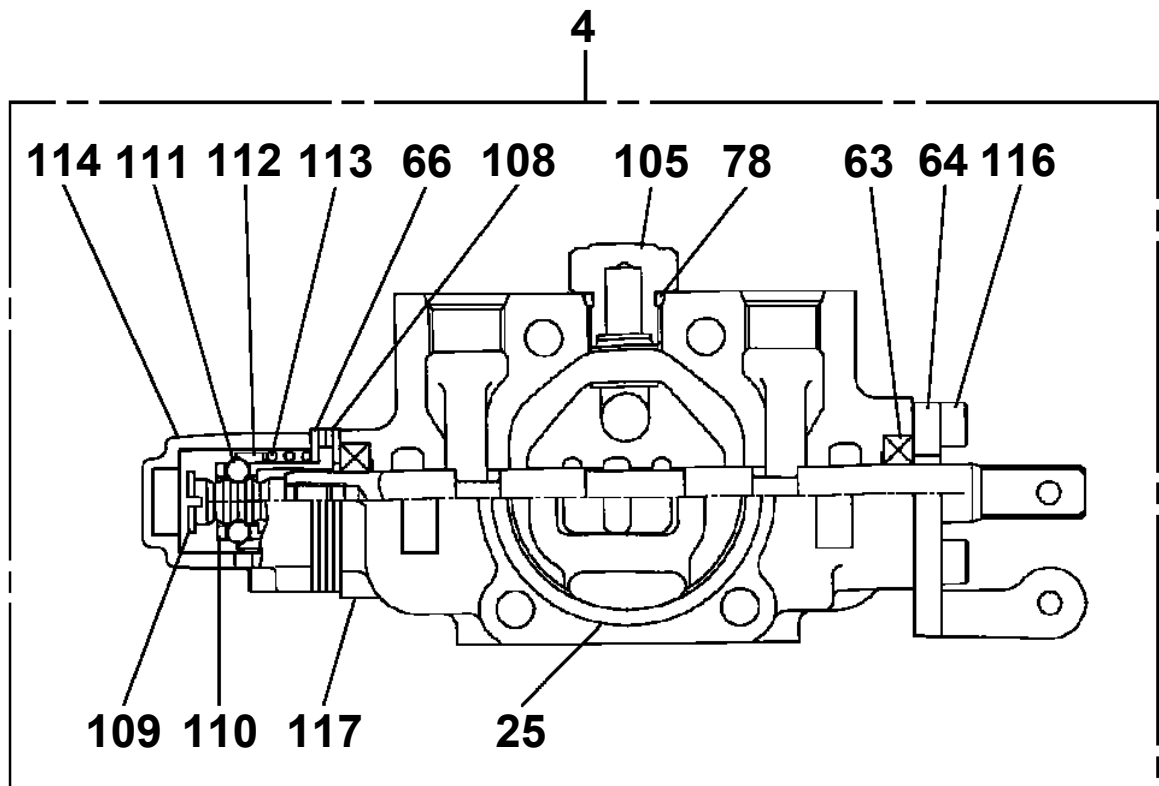
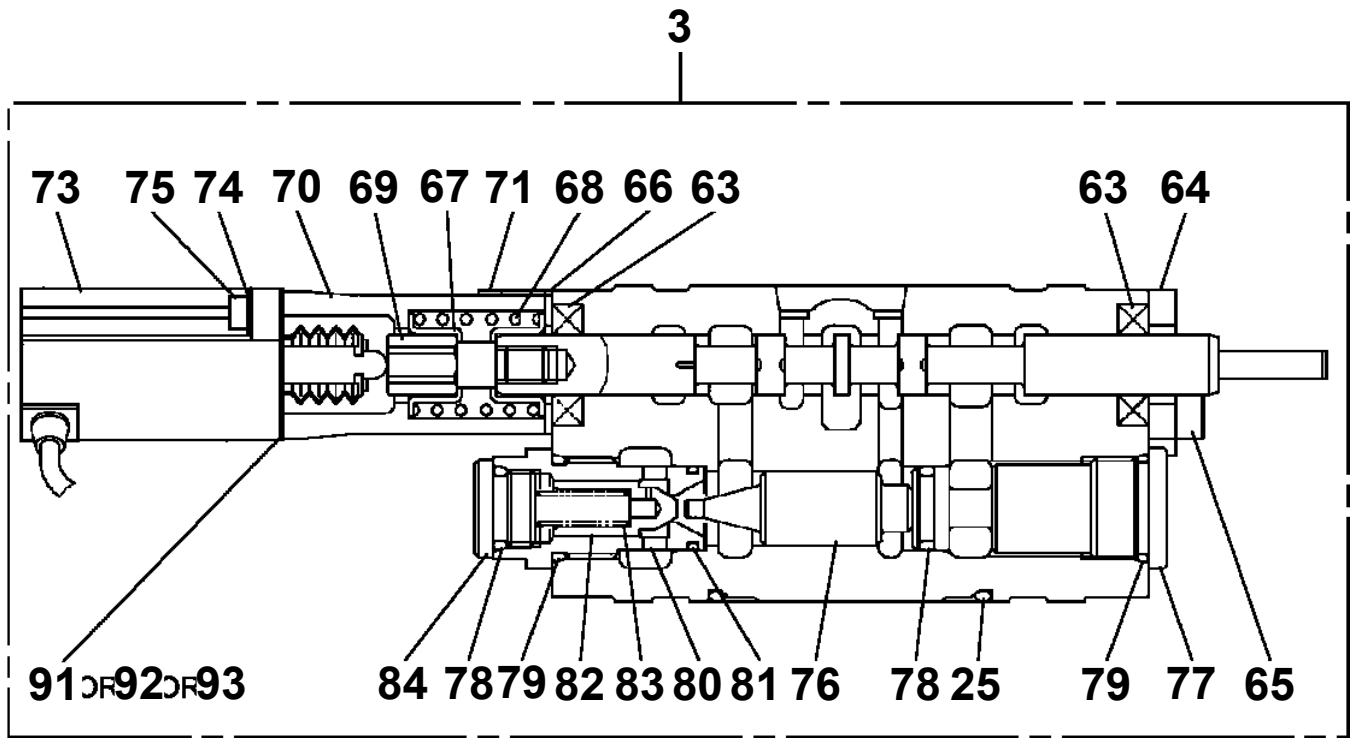
- Please note: If there is no response to CLICKING the link, please download this PDF first and then click on it.

CLICK HERE TO **DOWNLOAD** THE COMPLETE MANUAL

**AT-170-2 42087290130 MOUNTING ON SITE  
PB1100101-02 PUMP, HYDRAULIC (EMERGENCY)**



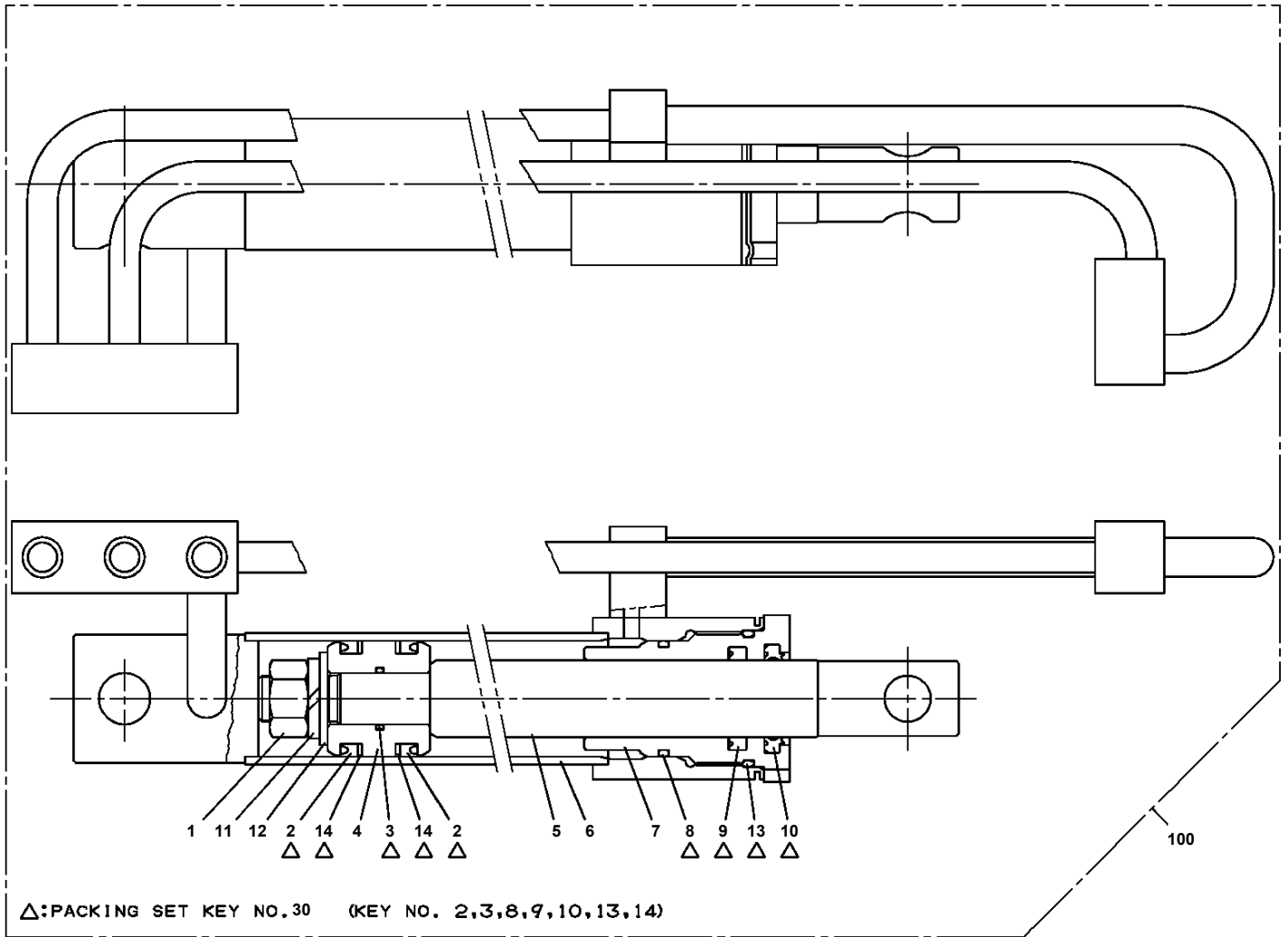
**AT-170-2 42087290130 MOUNTING ON SITE  
PB1320537-01 VALVE, MANUAL CONTROL**



# AT-170-2 42087290130 MOUNTING ON SITE

Pos No.	Parts No	Parts Name	Qty	Unit	Technical Data	Serial No (Start)	Serial No (End)	Remarks
1	42203309510	BOOM,BASE	1					
2	42203122000	BOOM,2ND	1					
3	42203123000	BOOM,TOP	1					
4	37001918060	ROPE,WIRE (KOKOKU)	2		8X5.95M			
	37001918050	ROPE,WIRE (TESAC)	2		8X5.95M			
5	90202781200	NUT	4					
6	37001924650	ROPE,WIRE (TESAC)	2		L=11550			
7	90202781600	NUT	4		M16			
8	89631601000	HOSE,VINYL	1		15X20,1M			
9	91810130240	FASTENER	2					
10	37002019820	PLATE,SLIDE	4					
11	37002019730	PLATE,SLIDE	4					
12	37000573180	PLATE	1					
13	37000144700	PIN	1					
14	90172110030	BOLT,HEXAGON SOCKET	2		M10X30			
15	90302041001	WASHER,SPRING	48		10			
16	90172110020	BOLT,HEXAGON SOCKET	2		M10X20			
17	37000524070	PLATE	1		T=6			
18	37000144710	PIN	1					
19	37000115380	PIN	1					
20	90238403008	NUT,CASTLE	1		M30X2			
21	80136060050	PIN,SPLIT	1		6X50			
22	90303073001	WASHER,PLAIN	1		30			
23	37000176280	PIN	1					
24	80601110300	RING,RITAINING	2		S30			
25	37000400950	BEARING,PLAIN	2					
26	37002020370	PLATE,SLIDE	2		T=15			
27	37000573190	PLATE	18		T=1.0			
28	82455106000	NIPPLE,GREASE	4		A-M6F FE			
30	90171212040	BOLT	4					
31	90171106012	BOLT	4		M6X12			
32	90302040601	WASHER,SPRING	4		6			
33	37001007740	SHEAVE ASSY	2					
34	42200021510	PLATE	2					
35	42201520010	PIN	2					
36	90171110025	BOLT	12		M10X25			
37	90171110055	BOLT	4		M10X55			
38	90303501201	WASHER,PLAIN	2		12			
39	37002020890	PLATE,SLIDE	4					
40	37001007240	SHEAVE ASSY	2					
41	90171212030	BOLT	8		M12X30			
42	90171210030	BOLT	12		M10X30			
43	37002020800	PLATE,SLIDE	2					
44	82441435040	SPRING	2					
46	37002020880	PLATE,SLIDE	2					
47	90303501601	WASHER,PLAIN	2		16			
48	37010501730	PLATE	6		T=1.0			
49	37010501750	PLATE	4		T=1.0			
50	37002020900	PLATE,SLIDE	2					
51	42202590011	PLATE	8					
52	42202820010	PLATE	6		T=2.3			
53	80601110200	RING,RITAINING	4		S20			
54	37000168230	PIN	2					
55	37000123060	PIN	2					
56	80184306012	SCREW,MACHINE	6		M6X12			
57	37002006500	PLATE,SLIDE	2					
58	37000508520	PLATE	20		T=0.8			
59	37000314530	SPACER	2					
60	42203120100	SHEAVE ASSY	1					
61	37000176290	PIN	1					
62	80602110300	RING,RITAINING	2		R30			
63	37000176300	PIN	2					
64	80602110400	RING,RITAINING	2		R40			

**AT-170-2 42087290130 MOUNTING ON SITE  
PC1050224-00 CYLINDER,EXTENSION**



# AT-170-2 42087290130 MOUNTING ON SITE

Pos No.	Parts No	Parts Name	Qty	Unit	Technical Data	Serial No (Start)	Serial No (End)	Remarks	Pa
107	37000908730	JOINT (WITH O-RING)	4		L,G3/8-G1/4				
108	80491303020	JOINT (WITH O-RING)	4		L,G3/8-G1/4				
110	37000927930	JOINT	1						
111	80430620800	JOINT	1						
121	91002802900	O-RING	1		1B P29				
131	91002801400	O-RING	8		1B P14				

# AT-170-2 42087290130 MOUNTING ON SITE

Pos No.	Parts No	Parts Name	Qty	Unit	Technical Data	Serial No (Start)	Serial No (End)	Remarks	Pages
3	90101208014	BOLT	4		M8X14				
5	90302040801	WASHER,SPRING	8		8				
6	90240200800	NUT,CAP	4		M8				
7	82466003010	CUSHION	3						
8	42268773202	COVER	1						
9	42268773402	COVER	1						
10	37000553000	PLATE	8						

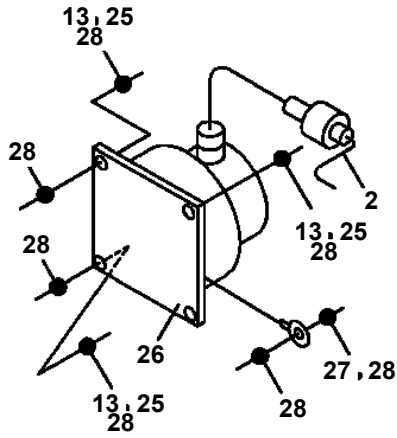
## AT-170-2 42087290130 MOUNTING ON SITE

Pos No.	Parts No	Parts Name	Qty	Unit	Technical Data	Serial No (Start)	Serial No (End)
1	36028759510	CYLINDER ASSY	1				
2	90302042401	WASHER,SPRING	1		24		
3	90209402400	NUT	1		M24		
4	36028370010	PISTON	1				
5	91350207500	BEARING,PLAIN (WITH PACKINGX2)	1				
6	91002802000	O-RING	1		1B P20		
7	36028759520	ROD ASSY	1				
8	36026159530	COVER,ROD	1				
9	80612110400	RING,RITAINING	1		AR40		
10	91002907000	O-RING	1		1B G70		
11	80801003525	BEARING,PLAIN	1				
12	91694003500	PACKING	1				
13	91410203501	RING,BACKUP	1				
14	91660003501	SEAL,DUST	1				
15	82455106000	NIPPLE,GREASE	2		A-M6F FE		
16	90303072401	WASHER,PLAIN	1		24		
17	80820003020	BEARING,PLAIN	4				
18	91002907500	O-RING	1		1B G75		
80	36026489900	PACKING SET	1		35X75		
100	36028750000	CYLINDER ASSY,LEVELING (UPPER)	1				

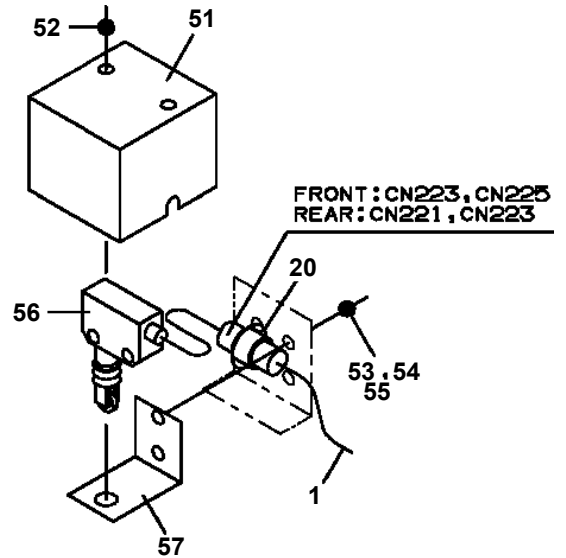
# AT-170-2 42087290130 MOUNTING ON SITE

Pos No.	Parts No	Parts Name	Qty	Unit	Technical Data	Serial No (Start)	Serial No (End)	R
1	36028730001	CYLINDER ASSY,DERRICK	1					
2	36606450000	VALVE ASSY,COUNTERBALANCE	1					
3	90171108060	BOLT	4		M8X70			
4	90302040801	WASHER,SPRING	4		8			

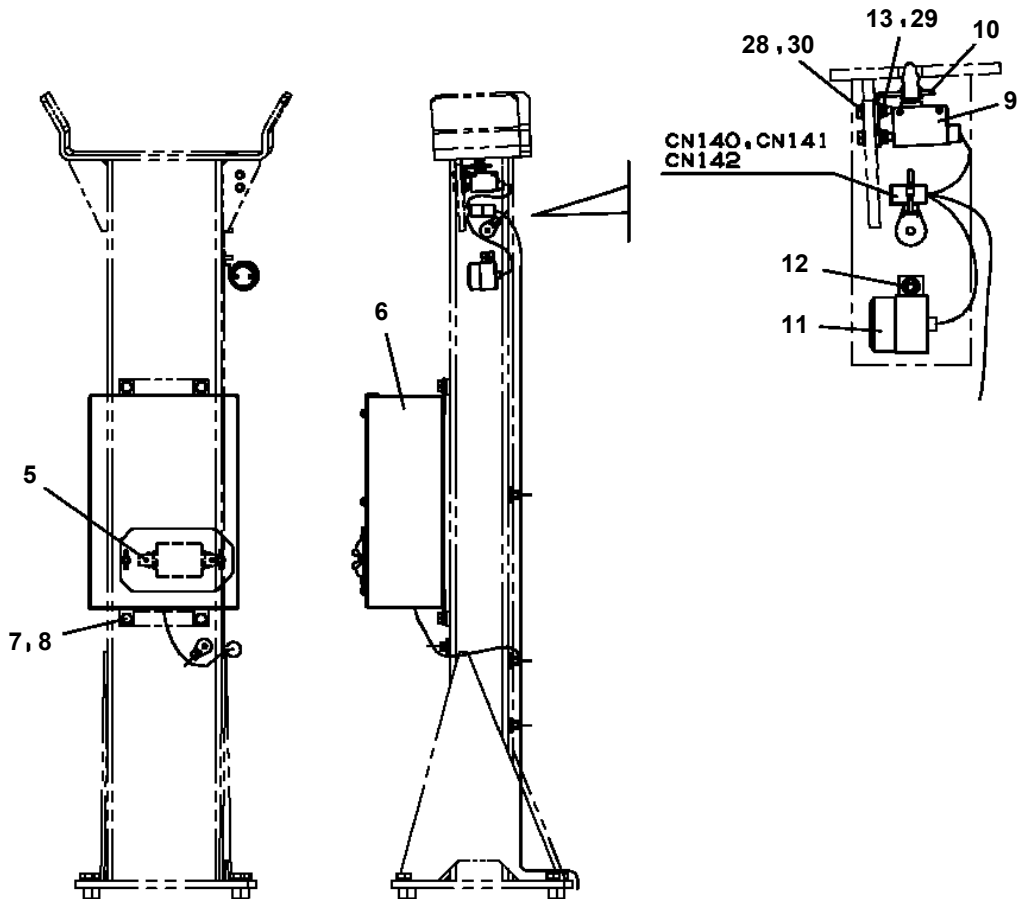
**AT-170-2 42087290130 MOUNTING ON SITE  
PE5110071-00 ELEC.ASSY,FRAME**



**C**

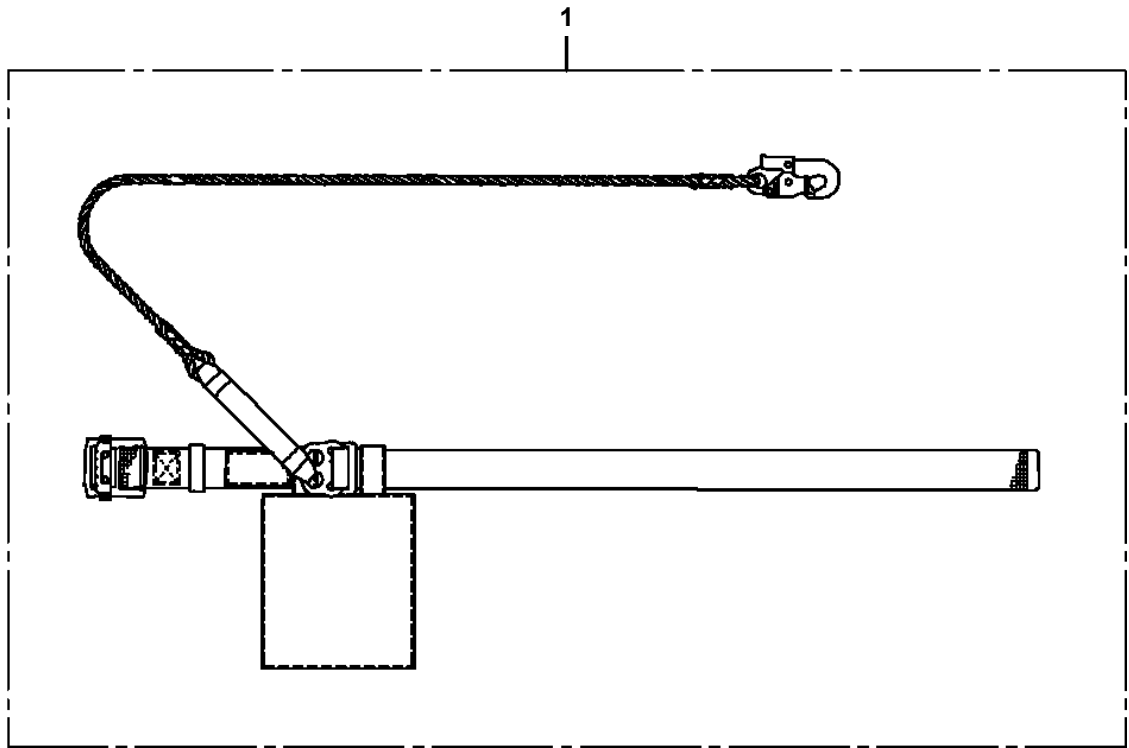


**D**

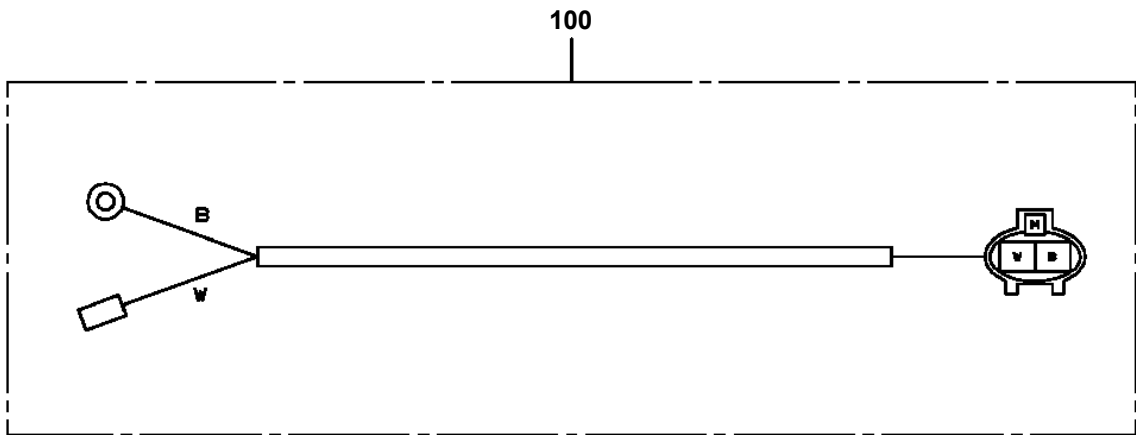


**E**

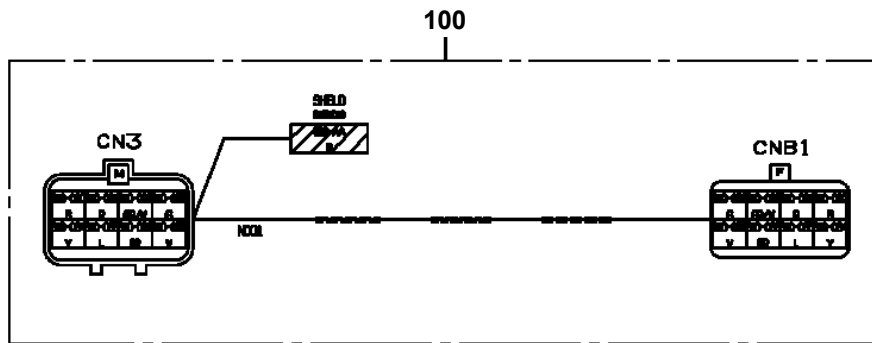
**AT-170-2 42087290130 MOUNTING ON SITE  
PF5190001-00 FALL ARREST SYSTEM (TB-LSA-550/FUJII-DENKO)**



AT-170-2 42087290130 MOUNTING ON SITE  
PH5031711-00 HARNESS



AT-170-2 42087290130 MOUNTING ON SITE  
PH5031981-00 HARNESS



# AT-170-2 42087290130 MOUNTING ON SITE

Pos No.	Parts No	Parts Name	Qty	Unit	Technical Data	Serial No (Start)	Serial No (End)	Remarks	Pages
100	42358000012	HARNESS	1						

# AT-170-2 42087290130 MOUNTING ON SITE

Pos No.	Parts No	Parts Name	Qty	Unit	Technical Data	Serial No (Start)	Serial No (End)	Remarks	Pages
100	42507740100	HARNESS	1						

CLICK HERE TO **DOWNLOAD** THE COMPLETE MANUAL

- Thank you very much for reading the preview of the manual.
- You can download the complete manual from: [www.heydownloads.com](http://www.heydownloads.com) by clicking the link below



- Please note: If there is no response to CLICKING the link, please download this PDF first and then click on it.

CLICK HERE TO **DOWNLOAD** THE COMPLETE MANUAL

## AT-170-2 42087290130 MOUNTING ON SITE

Pos No.	Parts No	Parts Name	Qty	Unit	Technical Data	Serial No (Start)	Serial No (End)	Remark
1	80316100040	PLUG	1		PF1/2			
2	91002801800	O-RING	1		1B P18			
7	91002801600	O-RING	1		1B P16			
10	36605515030	SPRING	1					
11	91002902500	O-RING	1		1B G25			
12	36605515040	GUIDE	1					
13	36605515050	COVER	1					
14	36620030010	PLUG	1		PF3/8			
15	91002801400	O-RING	2		1B P14			
16	52255101000	SPRING	1					
18	36605515060	PISTON	1					
19	91002801000	O-RING	1		1B P10			
20	80316100030	PLUG	1		G3/8			
21	91002801200	O-RING	2		1B P12			
22	90131708035	BOLT,HEXAGON SOCKET	4		M8X35			
23	80316090020	PLUG	3		KKT PT1/8			
31	36605515070	BODY ASSY	1					
32	36605515082	VALVE,CHECK	1					
50	36605510001	VALVE,COUNTERBALANCE	1					

# AT-170-2 42087290130 MOUNTING ON SITE

Pos No.	Parts No	Parts Name	Qty	Unit	Technical Data	Serial No (Start)	Serial No (End)	Remarks	Pages
1	(***** 90101208016	MOTOR,ELECTRIC	1						00008
2	90101208016	BOLT	4		M8X16				
3	90302040801	WASHER,SPRING	4		8				
4	91810130240	FASTENER	10						
5	42714372000	HARNESS	1						00006

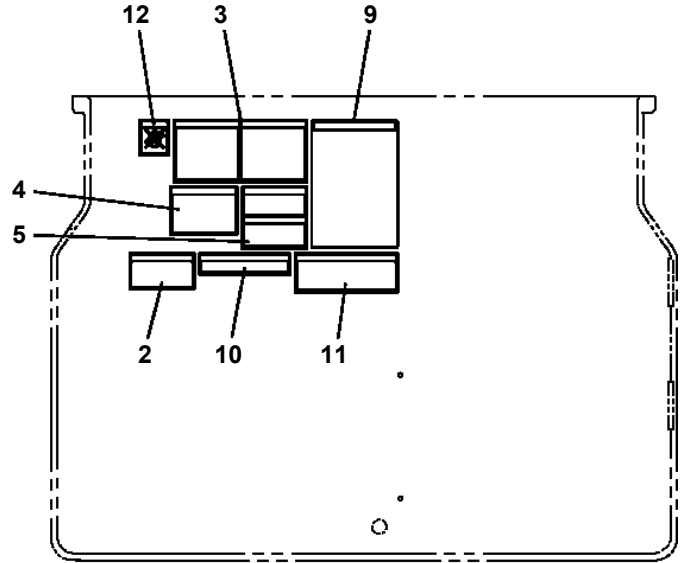
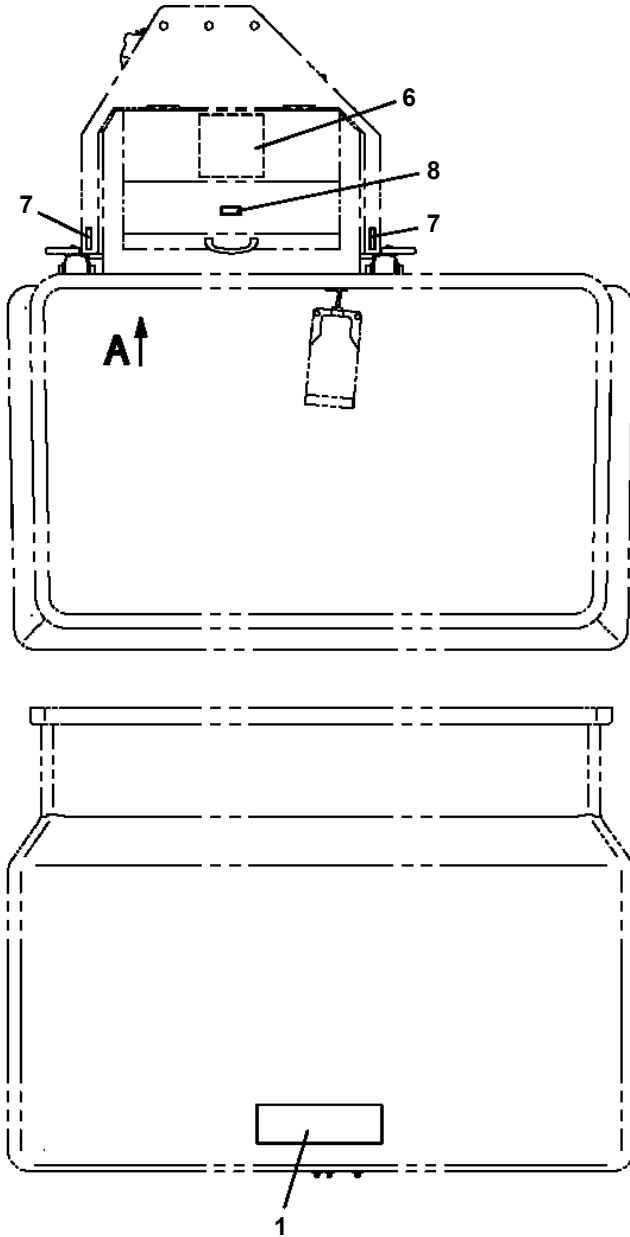
# AT-170-2 42087290130 MOUNTING ON SITE

Pos No.	Parts No	Parts Name	Qty	Unit	Technical Data	Serial No (Start)	Serial No (End)
1	36028750000	CYLINDER ASSY,LEVELING (UPPER)	1				
2	36624110000	VALVE,CHECK	1				
3	90180210050	BOLT,BUTTON	4		M10X50		

## AT-170-2 42087290130 MOUNTING ON SITE

Pos No.	Parts No	Parts Name	Qty	Unit	Technical Data	Serial No (Start)	Serial No
1	42591663010	PLATE,NAME	1				
2	42591663020	PLATE,NAME	1				
3	42591663030	PLATE,NAME	1				
4	42396591040	PLATE,NAME (O/R LEFT/REAR)	1				
5	42396591050	PLATE,NAME (O/R LEFT/FRONT)	1				
6	42396591060	PLATE,NAME (O/R RIGHT/FRONT)	1				
7	42396591070	PLATE,NAME (O/R RIGHT/REAR)	1				
8	42396591080	PLATE,NAME (O/R EXT./STOW.)	1				
9	42475910010	PLATE,NAME	2				
10	42390852030	PLATE,NAME (ACCEL./EMARGENCY PUMP)	1				
11	42390852020	PLATE,NAME (ENGINE/START,STOP)	1				
12	42940300010	PLATE,NAME (DO NOT SPATTER WATER)	1				
13	42395981090	PLATE,NAME (STOP)	1				
14	42591663040	PLATE,NAME	1				
15	42591663050	PLATE,NAME	1				
16	42591663060	PLATE,NAME (FAULT)	1				

# AT-170-2 42087290130 MOUNTING ON SITE PN5012226-00 NAME PLATE ASSY (FRP BUCKET)



**A**

**2**

**CAUTION/BUCKET TILTING**

⊙ If the bucket is tilted forward or backward for 20 or more, reverse the horizontal adjustment of the bucket.

⊙ When the ambient temperature is low, the bucket will not follow the elevation operation quickly enough and the tilting state may become. In this case, raise the bucket again and adjust it horizontally in its lowering operation.

**3**

**WARNING/PRE-OPERATION CHECK**

Before starting the first operation of day, perform following pre-operation check reference to operation manual.

- ⊙ Check of the JIS safety and health according to the JIS pre-operation check procedure.
- ⊙ Check of switches, lamp, bucket and orientation of the load.
- ⊙ Please check in an element such as, hydraulic oil level, etc.
- ⊙ Check of bucket location device.
- ⊙ The bucket is to be raised when the boom is raised or lowered.
- ⊙ Check of safety device such as the emergency stop device and foot switch.
- ⊙ Check that reliable place are safe.

**IF VEHICLE DOES NOT OPERATE**

- ⊙ Check the observed job time for (adjustment of the bucket, turntable and control of switches).
- ⊙ After observation, release the stop switch to cut through the boom.
- ⊙ Check to see if the foot switch is depressed at the bucket.
- ⊙ Release the load switch.
- ⊙ Check to see if the load indicator is lit.
- ⊙ Release the lock to check the load indicator.
- ⊙ Check the boom for overcurrent when starting the boom.
- ⊙ Fully extend the boom over the boom end.
- ⊙ Check the boom switch for contact at the boom end.
- ⊙ Stop case of (1,2)

**10**

**VEHICLE BATTERY MONITOR**

If the vehicle battery monitor blinks, the voltage of the vehicle battery is low. Start the engine to perform work.

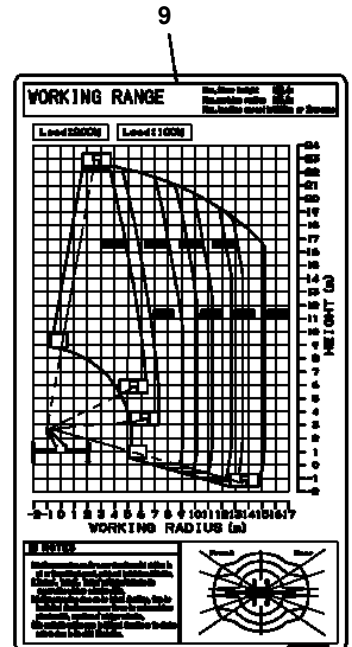
**11**

**IDLE STOP FUNCTION**

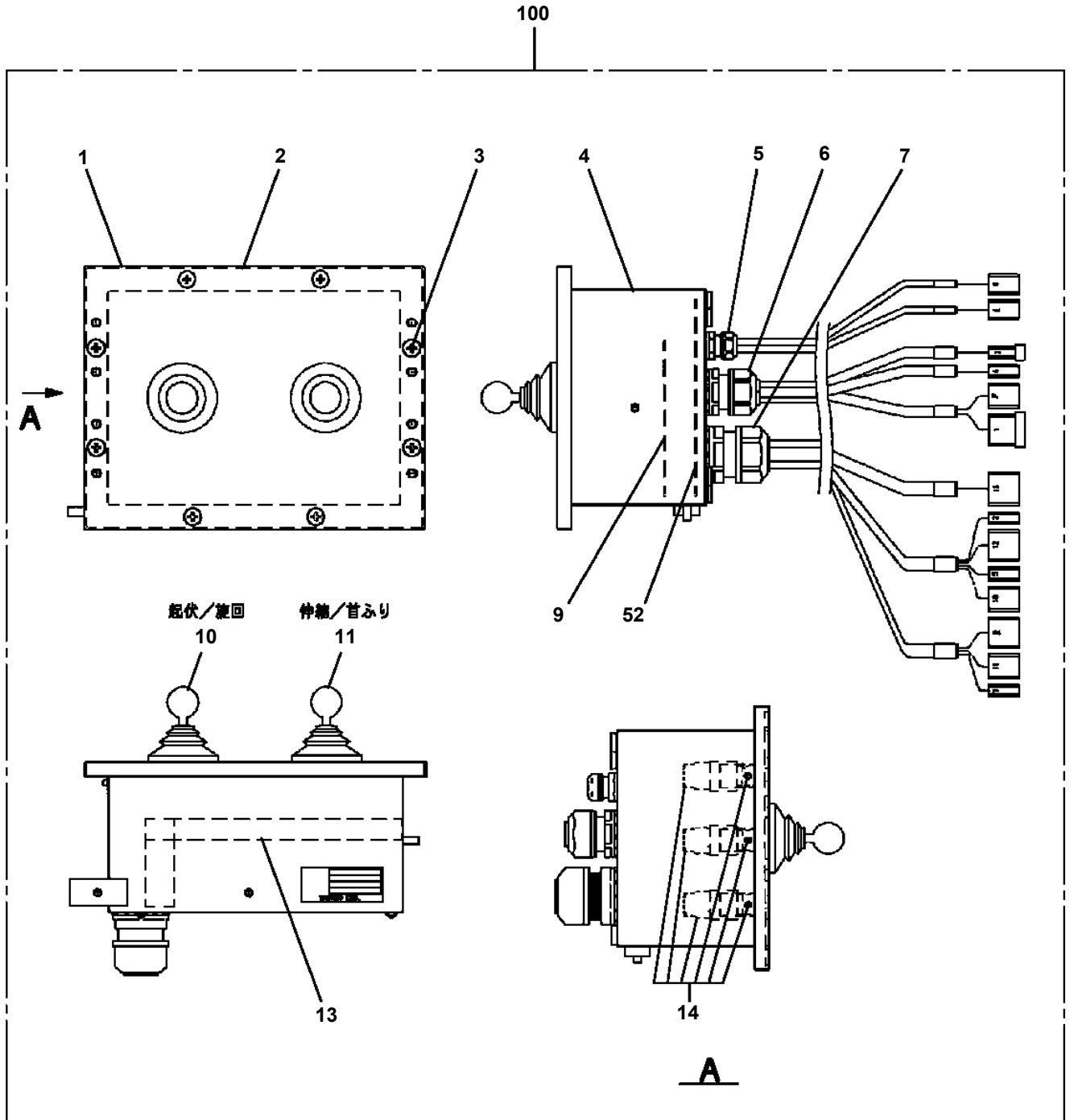
When the idle stop function is activated on the lower controller, the idle stop function is also effective while operation on the lower controller.

⊙ When the lower priority switch is not operated for a while, the engine stops automatically.

⊙ After start the engine after the engine stops, turn on the lower priority switch.



AT-170-2 42087290130 MOUNTING ON SITE  
PO5010034-01 OPE.ASSY



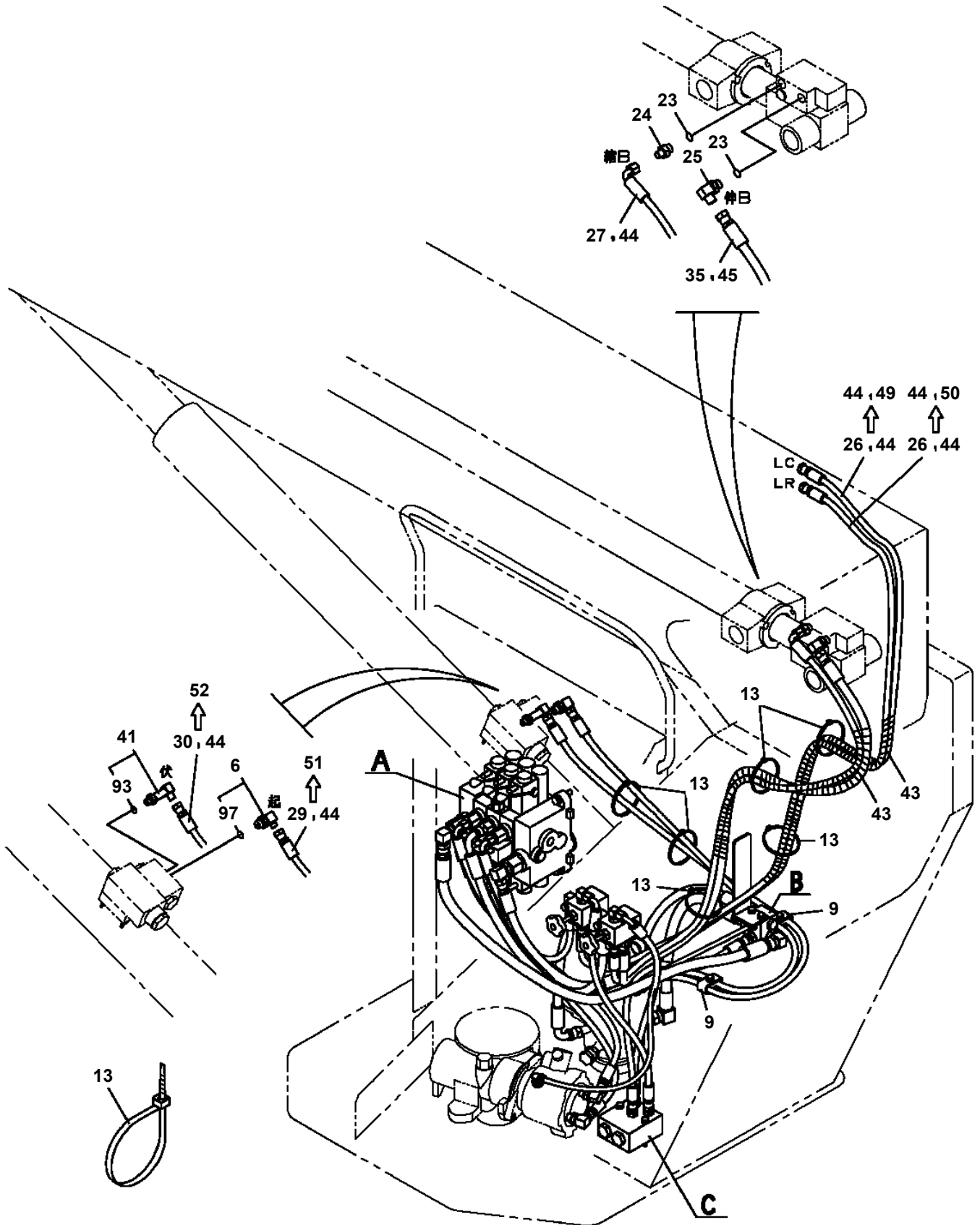
## AT-170-2 42087290130 MOUNTING ON SITE

Pos No.	Parts No	Parts Name	Qty	Unit	Technical Data	Serial No (Start)	Serial No (End)	Remarks
2	37002011280	PLATE,SLIDE	16		T=9.5			
3	37000581940	PLATE	N		T=0.5			
4	37000506590	PLATE	N		T=1.6			
5	31611640150	SPRING	2					
6	90171108016	BOLT	4		M8X16			
7	37000504780	PLATE	4		T=0.6			
8	42612850120	BLADE	2					
9	42612850100	PLATE	4					
10	90101206014	BOLT	4		M6X14			
11	90302040601	WASHER,SPRING	4		6			
12	90303070601	WASHER,PLAIN	4		6			
13	90101208012	BOLT	4		M8X12			
14	90302040801	WASHER,SPRING	4		8			
15	37000575240	PLATE	2		T=3			
16	37000178190	PIN	2					
18	42613350100	PLATE	12					
19	90171110025	BOLT	24		M10X25			
20	90302041001	WASHER,SPRING	24		10			
22	42614981001	CASE ASSY,INNER (REAR)	2					
23	42614050020	PLATE,SLIDE	2					
24	37001510810	BOLT	4		M8X25			

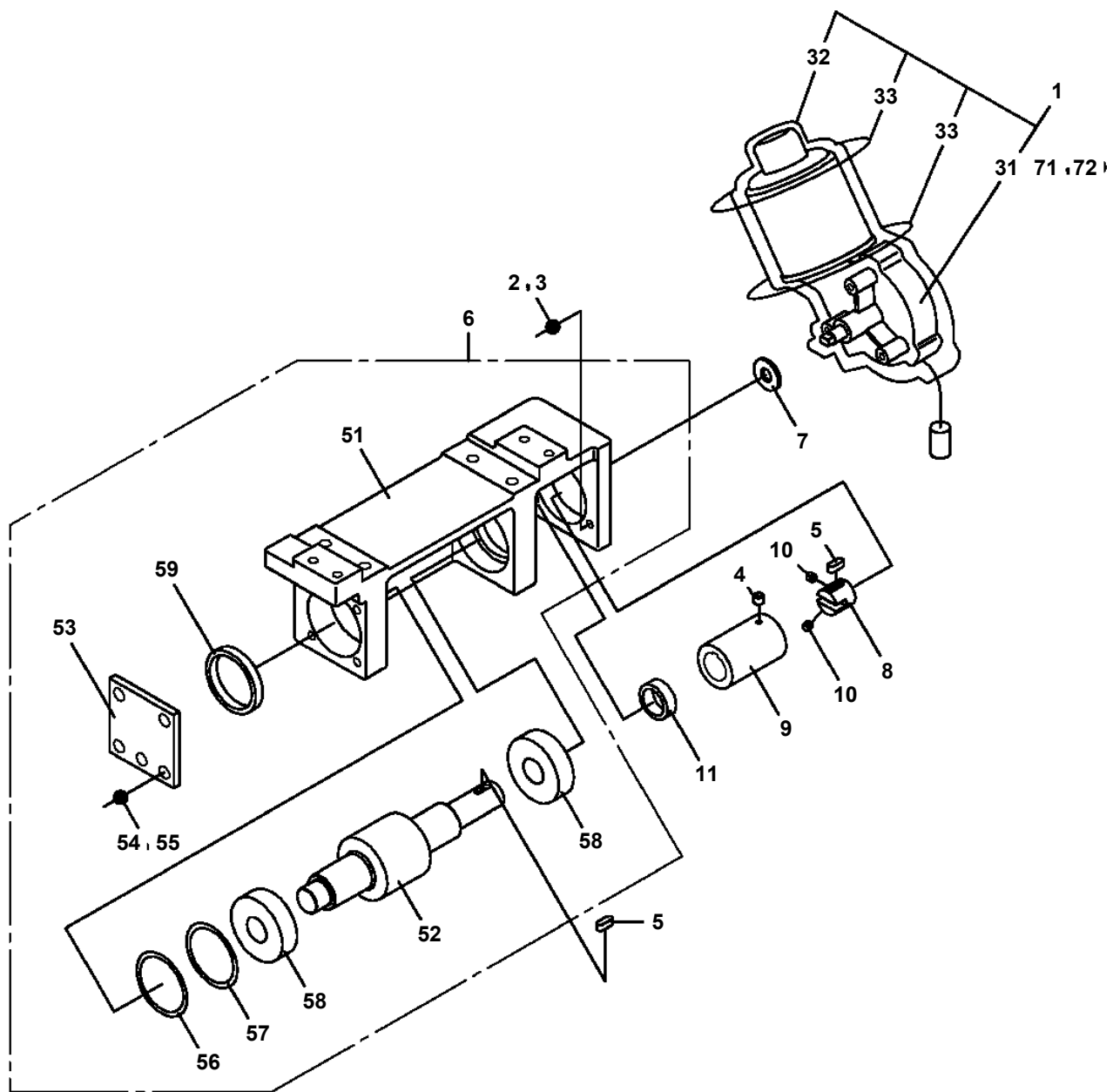
# AT-170-2 42087290130 MOUNTING ON SITE

Pos No.	Parts No	Parts Name	Qty	Unit	Technical Data	Serial No (Start)	Serial No (End)	Remarks	P
1	37004100030	PUMP,GREASE (240CC)	1						

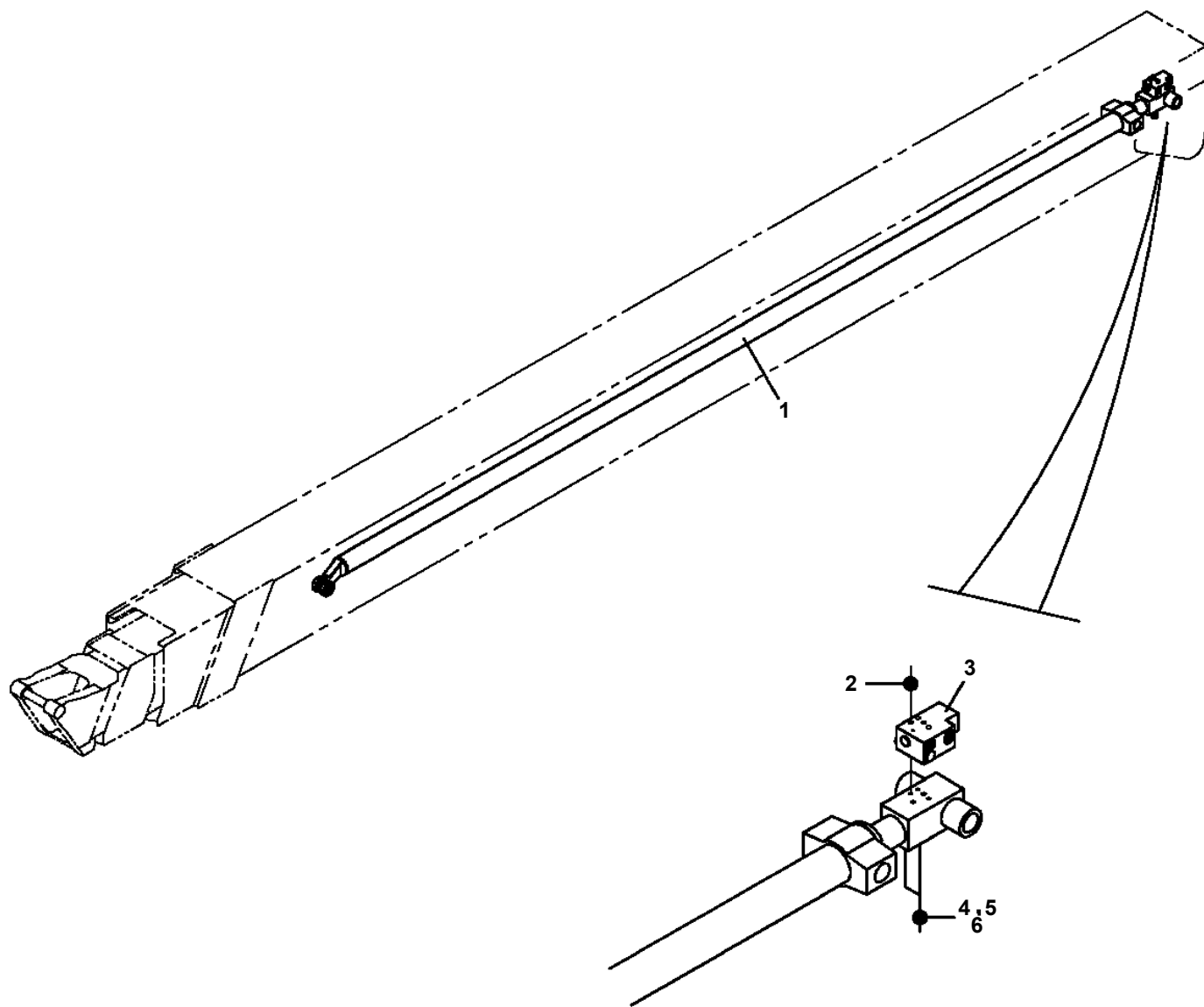
**AT-170-2 42087290130 MOUNTING ON SITE  
PP6330011-01 PIPING ASSY, SWING FRAME**



**AT-170-2 42087290130 MOUNTING ON SITE  
PS5500033-00 SWING ASSY**



AT-170-2 42087290130 MOUNTING ON SITE  
PT5130072-00 TELESCOPE ASSY

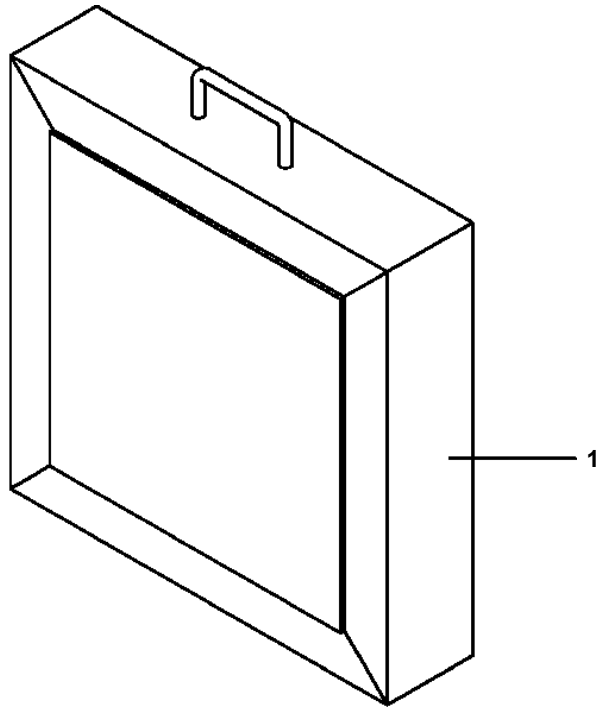


**AT-170-2 42087290130 MOUNTING ON SITE  
PW1000118-00 ACCESSORIES & TOOLS**

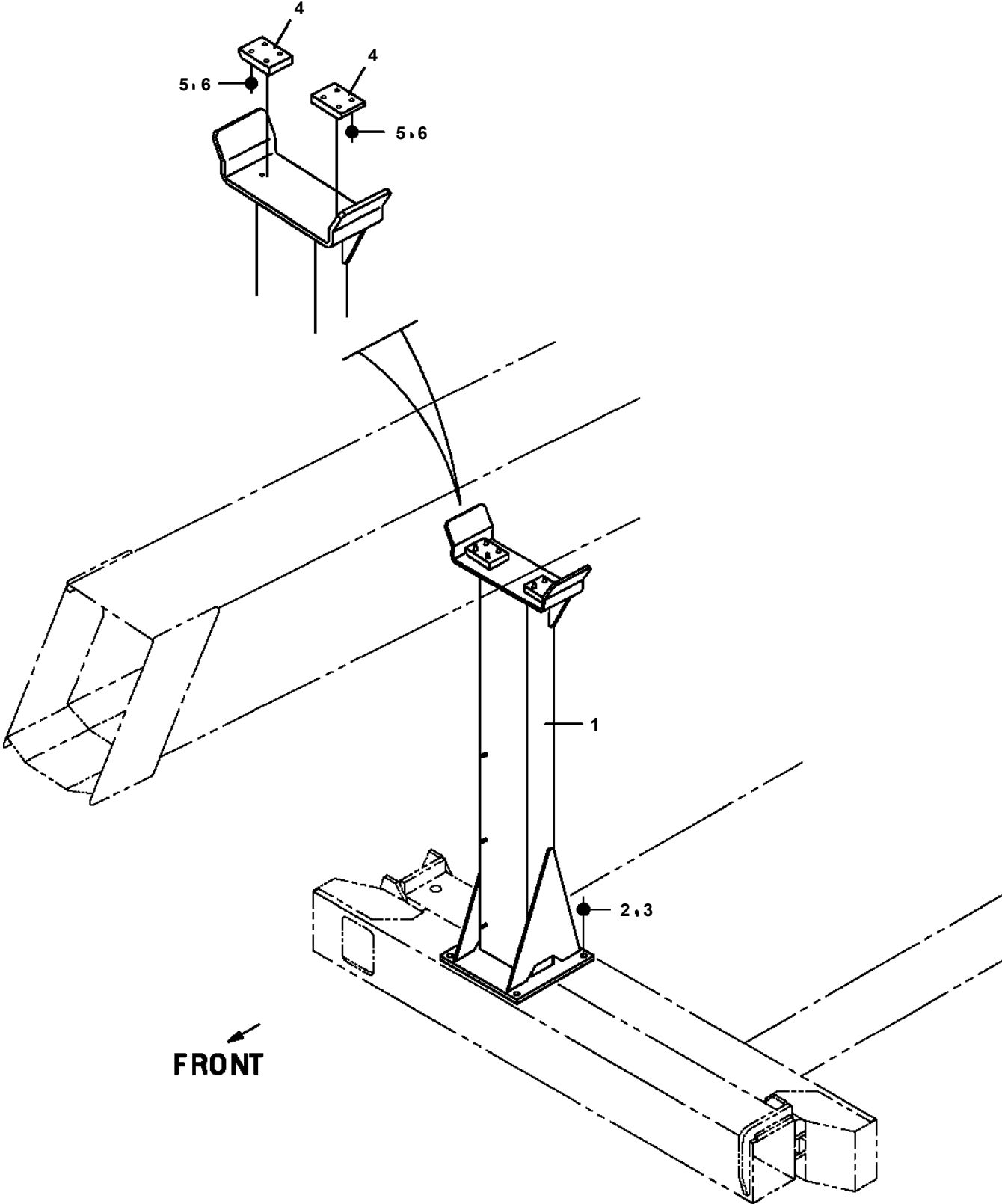
フソク ア ヒン  
ACCESSORIES & TOOLS

〔組立名称一覧〕より選択してください。  
SEE THE CORRESPONDING "ASSEMBLY NAME" LIST.

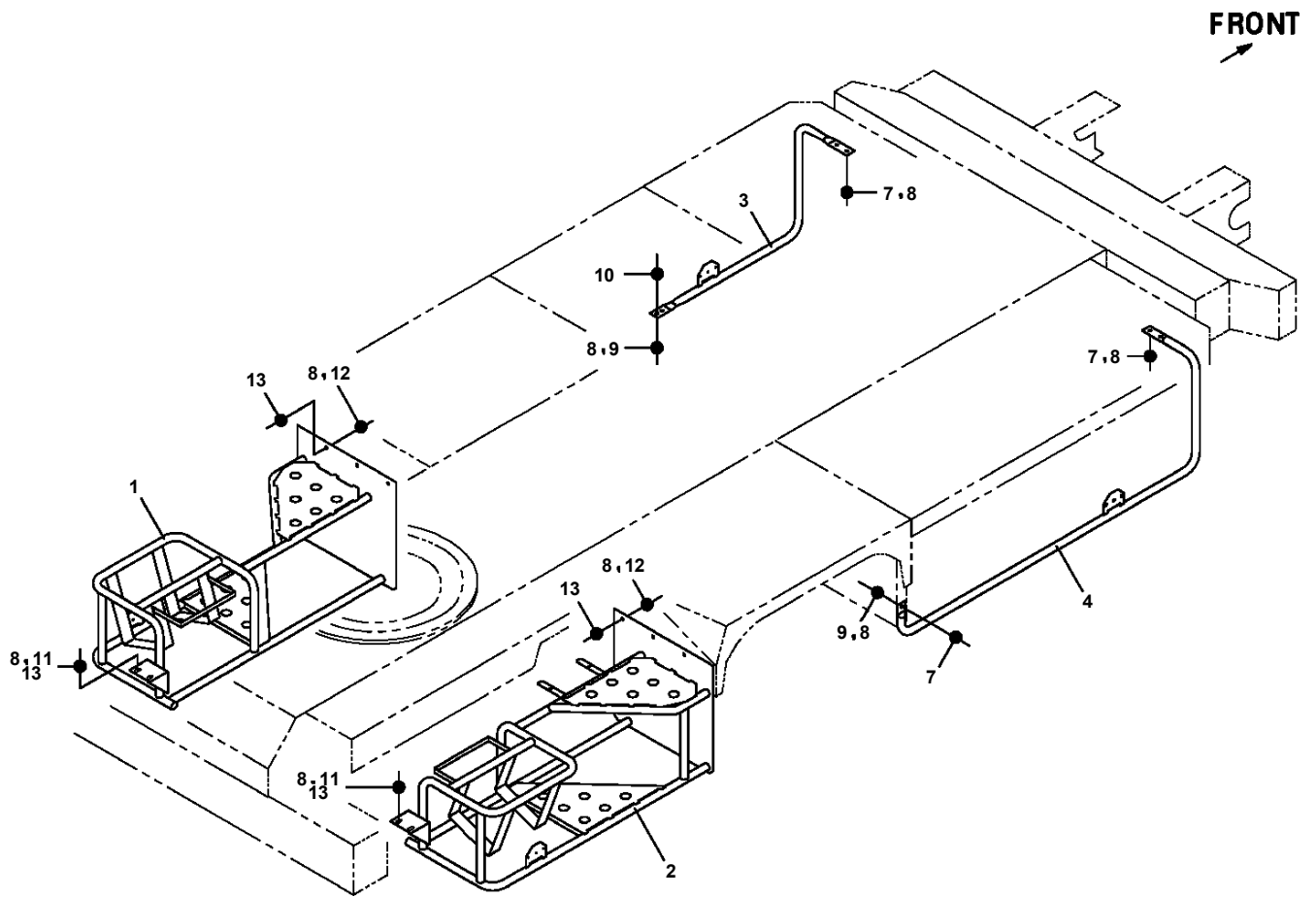
**AT-170-2 42087290130 MOUNTING ON SITE  
PX1270086-01 WOOD BLOCK (W=350,H=80)**



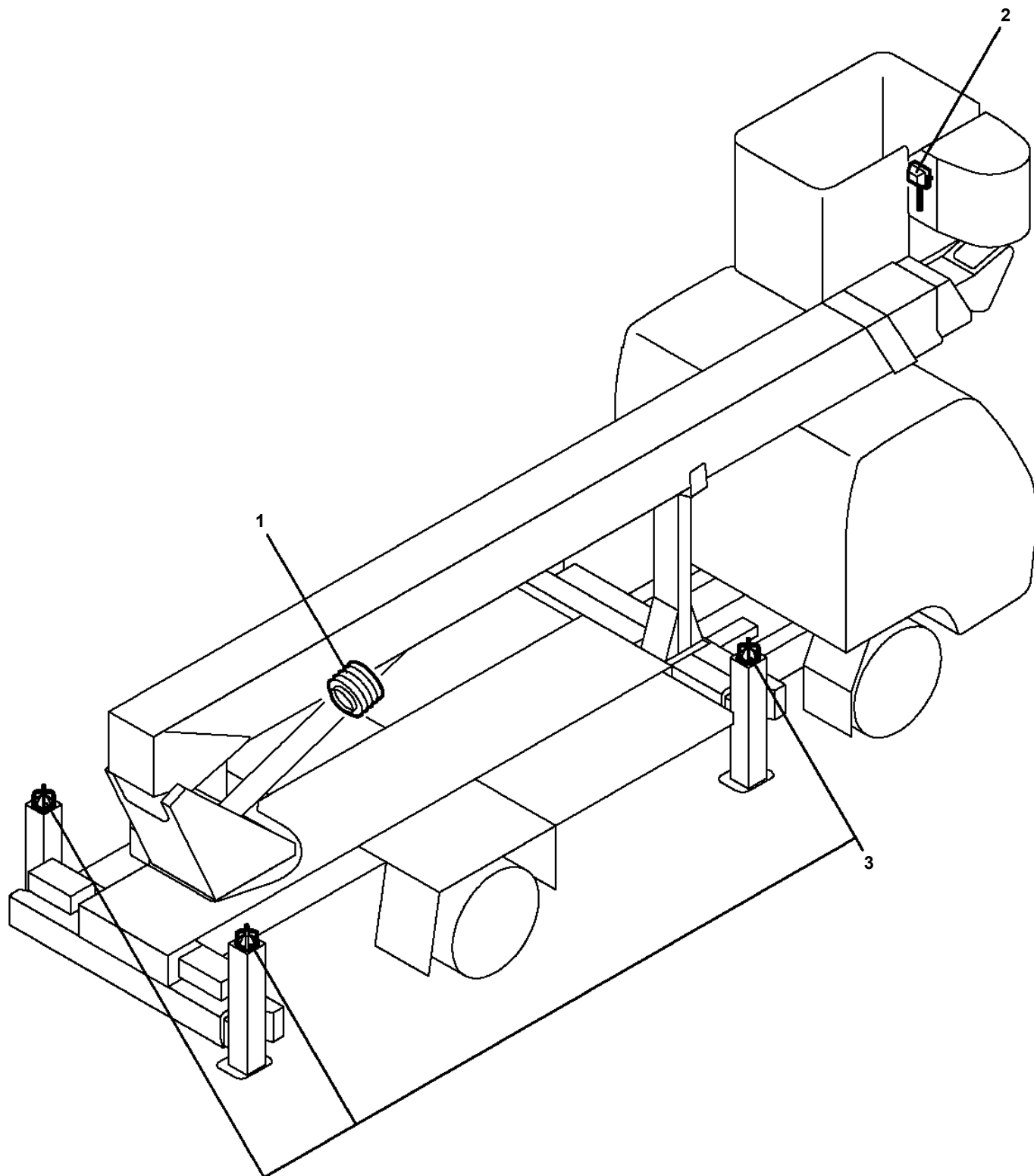
**AT-170-2 42087290130 MOUNTING ON SITE  
PX5110061-00 MOUNT ASSY,BOOM SUPPORT**



**AT-170-2 42087290130 MOUNTING ON SITE  
PX5650083-00 MOUNT ASSY, SIDE GUARD**



**AT-170-2 42087290130 MOUNTING ON SITE  
PY1001816-00 OPTION UNIT,1 (UPPER)**



適用製造番号によっては取り付けがないものもあります。

MACHINES OF SOME SERIAL NO. ARE NOT EQUIPPED WITH THESE PARTS.

CLICK HERE TO **DOWNLOAD** THE COMPLETE MANUAL

- Thank you very much for reading the preview of the manual.
- You can download the complete manual from: [www.heydownloads.com](http://www.heydownloads.com) by clicking the link below



- Please note: If there is no response to CLICKING the link, please download this PDF first and then click on it.

CLICK HERE TO **DOWNLOAD** THE COMPLETE MANUAL