

AT-157-1 43002120500 LOWER,MITSUBISHI KK-FE73EB6KA1

PB3000025-00 POWER UNIT

PO1000183-00 INDICATION PLATES (LOWER)

PX2000243-01 CARRIER UNIT

PX3000019-00 MOUNTING UNIT

ASSEMBLY

CLICK HERE TO **DOWNLOAD** THE COMPLETE MANUAL

- Thank you very much for reading the preview of the manual.
- You can download the complete manual from: www.heydownloads.com by clicking the link below

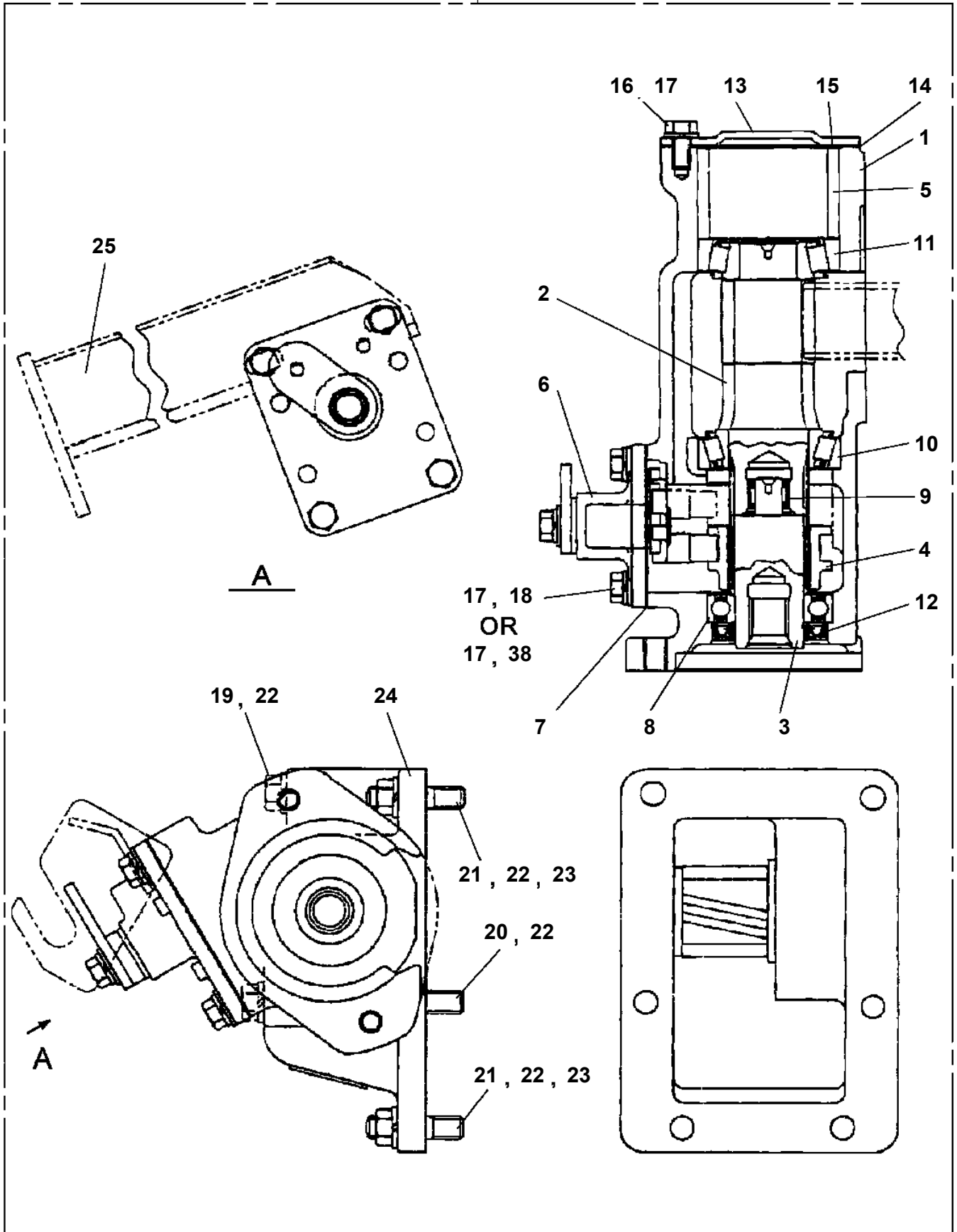


- Please note: If there is no response to CLICKING the link, please download this PDF first and then click on it.

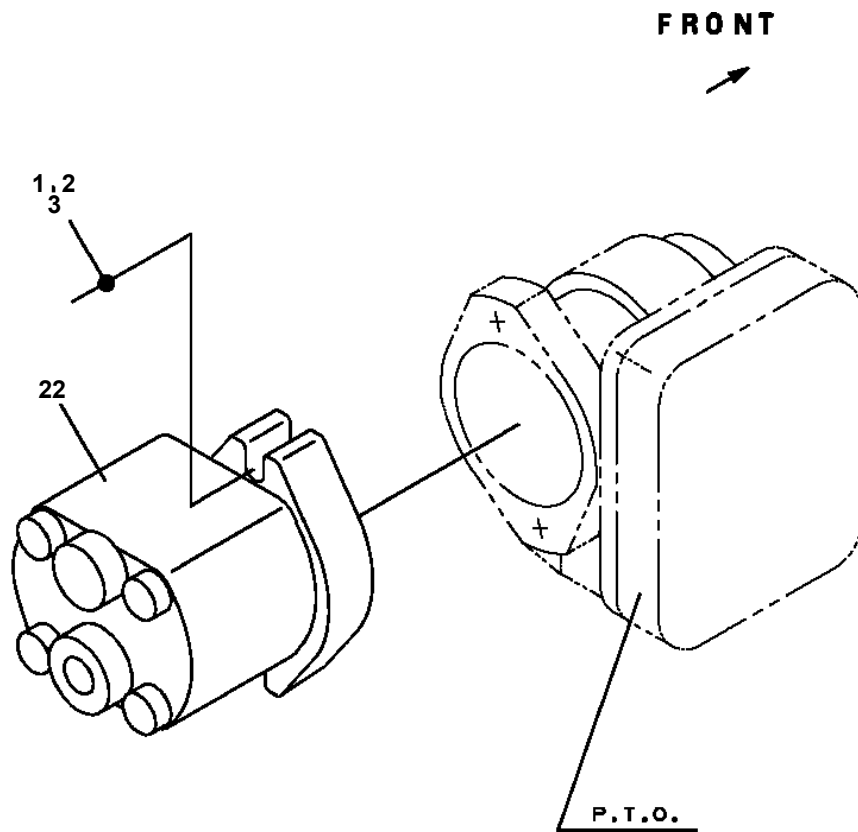
CLICK HERE TO **DOWNLOAD** THE COMPLETE MANUAL

AT-157-1 43002120500 LOWER, MITSUBISHI KK-FE73EB6KA1
PB1030164-02 POWER TAKE OFF

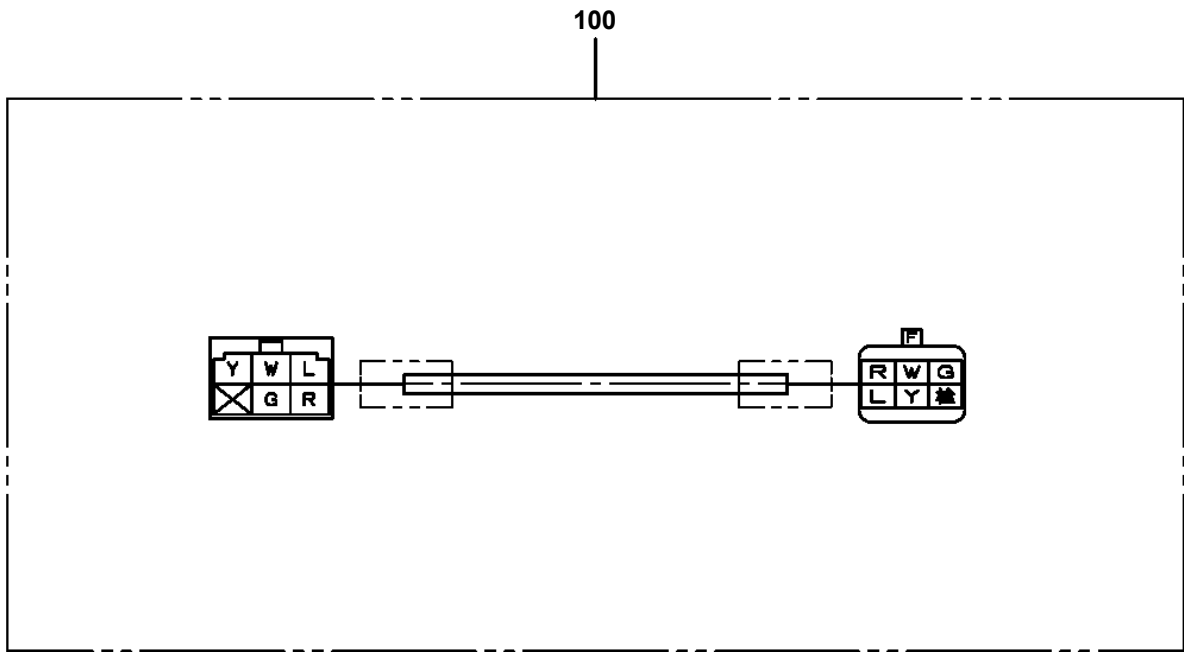
50



**AT-157-1 43002120500 LOWER, MITSUBISHI KK-FE73EB6KA1
PB1110012-01 PUMP INSTALLATION**



AT-157-1 43002120500 LOWER, MITSUBISHI KK-FE73EB6KA1
PH5034137-00 HARNESS



AT-157-1 43002120500 LOWER,MITSUBISHI KK-FE73EB6KA1

Pos No.	Parts No	Parts Name	Qty	Unit	Technical Data	Serial No (Start)	Serial No (End)	Remarks	Pages
1	42940100050	PLATE,NAME	1						
2	42942152130	PLATE,CAUTION	1						
3	42942570010	PLATE,CAUTION	1						
4	37002224450	PLATE,NAME	1						

AT-157-1 43002120500 LOWER,MITSUBISHI KK-FE73EB6KA1

Pos No.	Parts No	Parts Name	Qty	Unit	Technical Data	Serial No (Start)	Serial No (End)	Remarks	Pages
1	42773501002	GUARD,SIDE	1						
2	42773502002	GUARD,SIDE	1						
3	42773503001	GUARD,SIDE	1						
4	90201781000	NUT	6		M10				
5	42773506000	GUARD,SIDE	1						
6	90186210025	BOLT,FLANGE	1		M10X25				
7	90303071001	WASHER,PLAIN	6		10				
8	90280201000	NUT,FLANGE	3		M10				
9	90186210030	BOLT,FLANGE	2		M10X30				
10	90171110025	BOLT	6		M10X25				
11	90186210014	BOLT,FLANGE	4		M10X14				
12	90171112040	BOLT	4		M12X40				
13	90302041201	WASHER,SPRING	4		12				
14	37000579050	PLATE	4						
15	90302041001	WASHER,SPRING	6		10				

CLICK HERE TO **DOWNLOAD** THE COMPLETE MANUAL

- Thank you very much for reading the preview of the manual.
- You can download the complete manual from: www.heydownloads.com by clicking the link below



- Please note: If there is no response to CLICKING the link, please download this PDF first and then click on it.

CLICK HERE TO **DOWNLOAD** THE COMPLETE MANUAL