

AT-146-2 42095231900 LOWER,HINO PB-XZU354E-TKMSW6

PO1000127-01 INDICATION PLATES

PX2000658-00 CARRIER UNIT

ASSEMBLY

CLICK HERE TO **DOWNLOAD** THE COMPLETE MANUAL

- Thank you very much for reading the preview of the manual.
- You can download the complete manual from: www.heydownloads.com by clicking the link below



- Please note: If there is no response to CLICKING the link, please download this PDF first and then click on it.

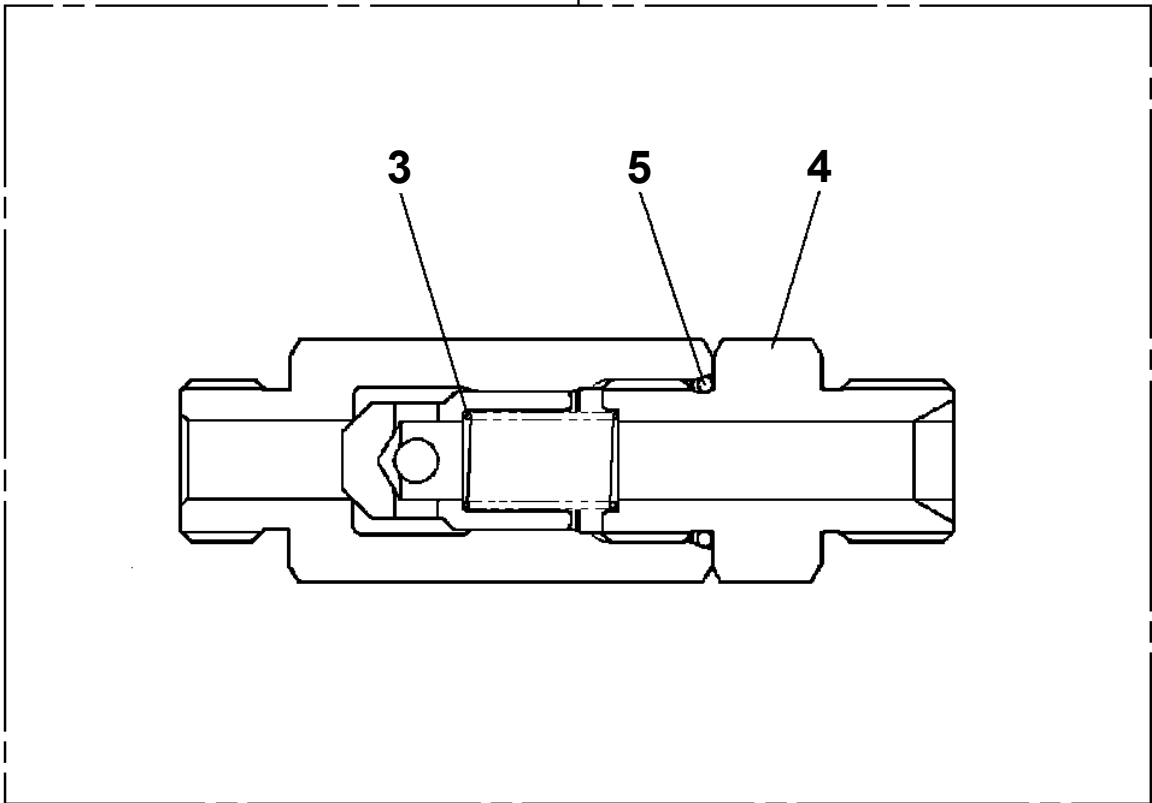
CLICK HERE TO **DOWNLOAD** THE COMPLETE MANUAL

AT-146-2 42095231900 LOWER,HINO PB-XZU354E-TKMSW6

Pos No.	Parts No	Parts Name	Qty	Unit	Technical Data	Serial No (Start)	Serial No (End)	Remarks	Pages
1	44340011200	JOINT	1		PF1				
2	91002802900	O-RING	1		1B P29				
3	36625510000	VALVE,CHECK	1						000012
	36625520000	VALVE,CHECK	1						000013
4	91002801800	O-RING	1		1B P18				
5	37002502090	HOSE	1		L=600				
6	91803600400	CLIP	4		D=27-40				
7	37002482350	HOSE	1		L=1150				
8	82100002018	CLAMP	2		WR35				
9	82100002016	CLAMP	1		WR25				
10	90186208020	BOLT,FLANGE	2		M8X20				
11	90280200800	NUT,FLANGE	1		M8				

**AT-146-2 42095231900 LOWER,HINO PB-XZU354E-TKMSW6
PI1140188-00 VALVE,CHECK**

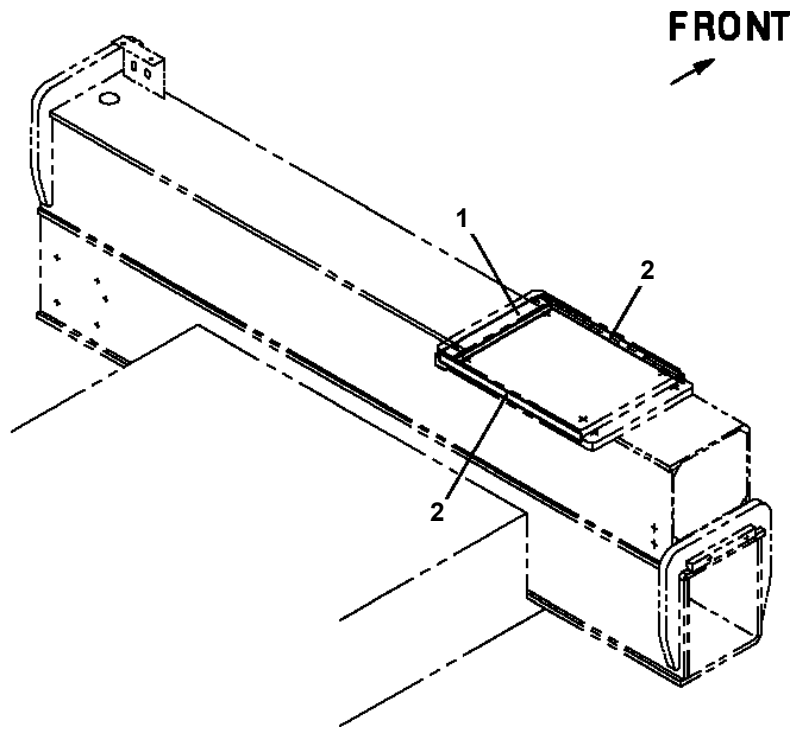
50



AT-146-2 42095231900 LOWER,HINO PB-XZU354E-TKMSW6

Pos No.	Parts No	Parts Name	Qty	Unit	Technical Data	Serial No (Start)	Serial No (End)	Remark
1	42715171100	SUPPORT	1				228115	
	42715171101	SUPPORT	1					
2	42715171200	COVER	1					
3	90101206012	BOLT	5		M6X12			
4	90302040601	WASHER,SPRING	7		6			
5	42714371400	MOTOR ASSY (ASSY ONLY)	1					
6	90101208035	BOLT	2		M8X35			
7	90201200800	NUT	2		M8			
8	90302040801	WASHER,SPRING	2		8			
9	37000105720	PIN	1					
10	80136320010	PIN,SPLIT	1		2X10			
11	90303070601	WASHER,PLAIN	1		6			
12	82100002006	CLAMP	1		WR10			
13	90303070801	WASHER,PLAIN	2		8			
15	90101206018	BOLT	2		M6X18			
16	90201200600	NUT	2		M6			

**AT-146-2 42095231900 LOWER,HINO PB-XZU354E-TKMSW6
PX1120557-00 BOOM REST (SUPPORT,MODIFICATION)**



AT-146-2 42095231900 LOWER,HINO PB-XZU354E-TKMSW6

Pos No.	Parts No	Parts Name	Qty	Unit	Technical Data	Serial No (Start)	Serial No (End)	Remarks	Pages
1	82459103000	NIPPLE,GREASE	6		C-PT1/8				

CLICK HERE TO **DOWNLOAD** THE COMPLETE MANUAL

- Thank you very much for reading the preview of the manual.
- You can download the complete manual from: www.heydownloads.com by clicking the link below



- Please note: If there is no response to CLICKING the link, please download this PDF first and then click on it.

CLICK HERE TO **DOWNLOAD** THE COMPLETE MANUAL