

AT-141-1 42043141200 LOWER,ISUZU NKR58E2N

PB3000040-00 POWER UNIT
PO1000149-00 INDICATION PLATES
PX2001301-00 CARRIER UNIT
PX3000721-00 MOUNTING UNIT
PY1001529-00 OPTIONS
ASSEMBLY

CLICK HERE TO **DOWNLOAD** THE COMPLETE MANUAL

- Thank you very much for reading the preview of the manual.
- You can download the complete manual from: www.heydownloads.com by clicking the link below



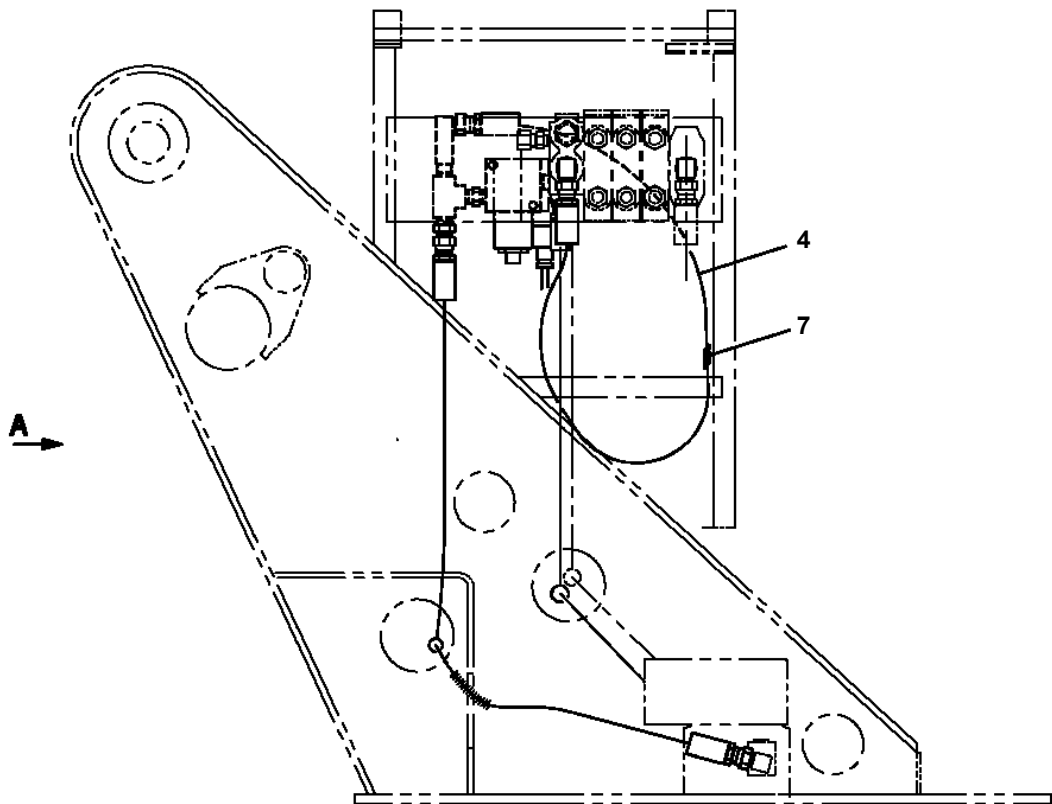
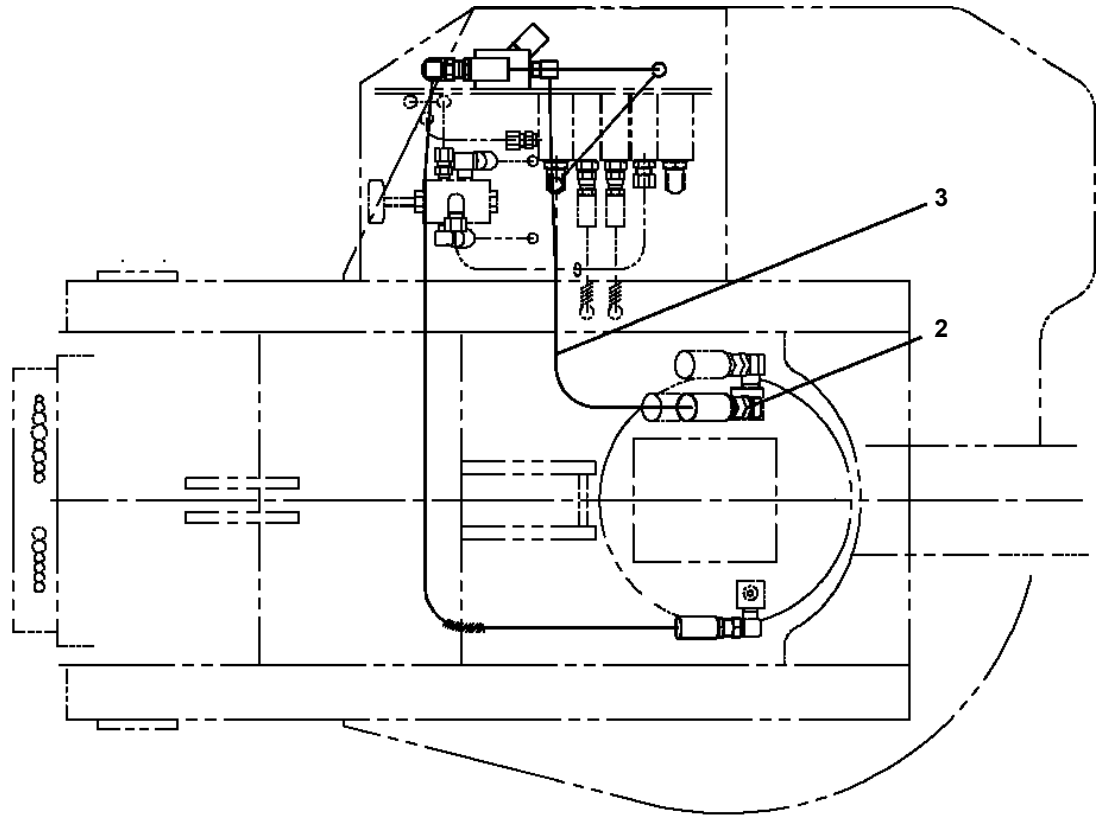
- Please note: If there is no response to CLICKING the link, please download this PDF first and then click on it.

CLICK HERE TO **DOWNLOAD** THE COMPLETE MANUAL

AT-141-1 42043141200 LOWER,ISUZU NKR58E2N

Pos No.	Parts No	Parts Name	Qty	Unit	Technical Data	Serial No (Start)	Serial No (
1	(*****)	BOX,TOOL (BOOM LEFT SIDE)	1				
2	(*****)	HOUR METER	1			225489	
3	(*****)	POWER SUPPLY (LOWER HYD.OUTLET/13L)	1				
11	(*****)	LAMP (FLICKER)	1				

**AT-141-1 42043141200 LOWER,ISUZU NKR58E2N
PB1380041-00 POWER SUPPLY (LOWER HYD.OUTLET PIPING)**



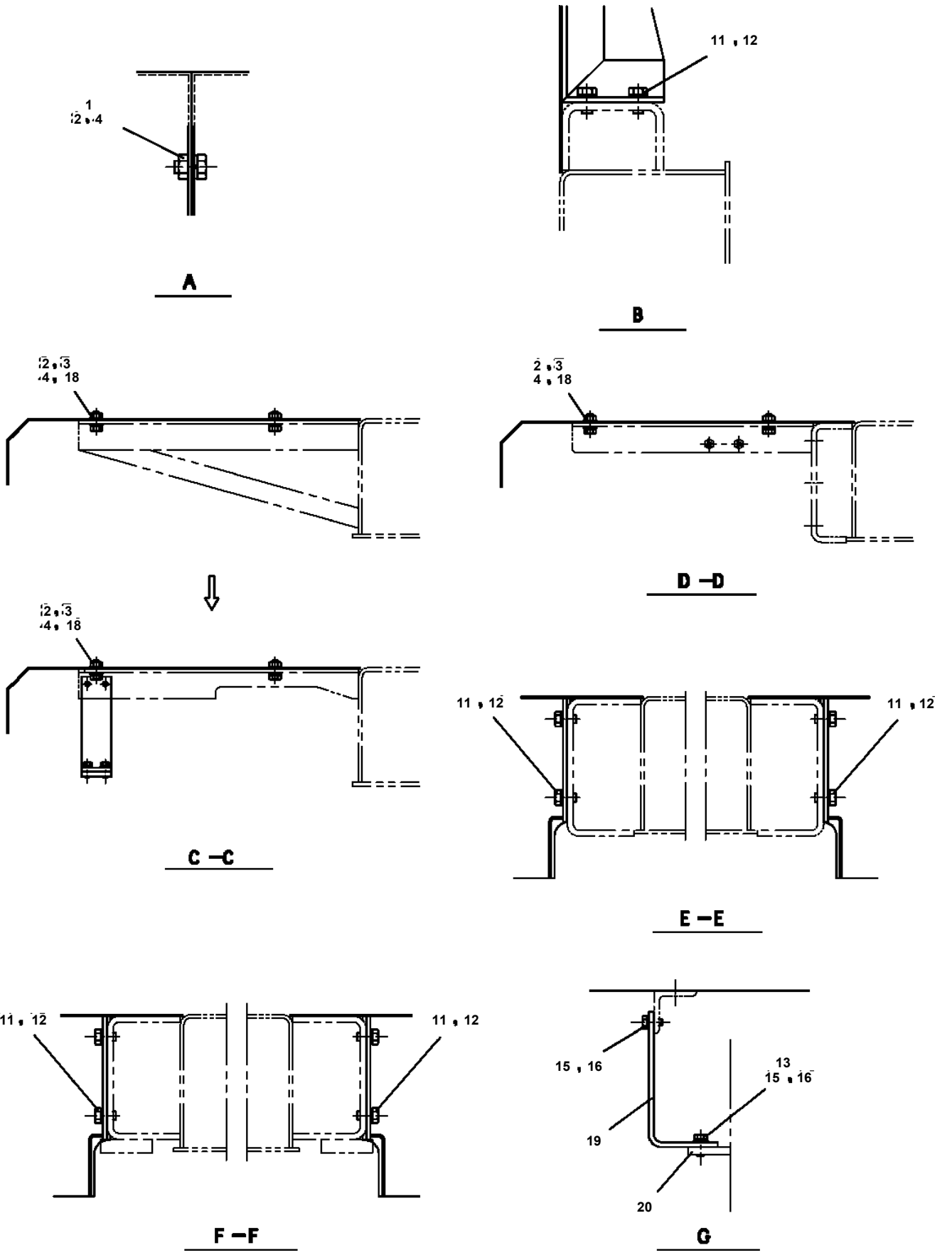
AT-141-1 42043141200 LOWER,ISUZU NKR58E2N

Pos No.	Parts No	Parts Name	Qty	Unit	Technical Data	Serial No (Start)	Serial No (End)	Remarks	Pages
100	42711650300	HARNESS	1						

AT-141-1 42043141200 LOWER,ISUZU NKR58E2N

Pos No.	Parts No	Parts Name	Qty	Unit	Technical Data	Serial No (Start)	Serial No (End)	Remarks	Page
8	90101506016	BOLT	1		M6X16				
9	42711290100	HARNESS	1				225453		
	42711650300	HARNESS	1			225454			0000
11	37000105720	PIN	1						
12	90303070601	WASHER,PLAIN	5		6				
13	80136320010	PIN,SPLIT	2		2X10				
19	37001701920	CABLE,CONTROL	1						
20	42710132500	LINK	1						
21	82100001736	SLEEVE	1						
22	37000112370	PIN	1						
23	42711290010	SUPPORT	1						
24	90101208022	BOLT	2		M8X22				
26	90302040601	WASHER,SPRING	6		6				
27	80182306010	SCREW,MACHINE	4		M6X10				
28	56140031000	CLAMP	2						
29	42711650100	SUPPORT	1						
30	90101506020	BOLT	1		M6X20				
31	91810130250	FASTENER	1						
32	82100001801	TUBE,CORRUGATE	1	M	7				
45	82100001706	SOLENOID	2		12V				
51	80172303008	SCREW,MACHINE	8		M3X8				
52	90302040301	WASHER,SPRING	8		3				
53	80192484008	SCREW,MACHINE	4		M4X8				
54	42710010270	COVER	1						
55	42711290200	SOLENOID ASSY	1						
56	90201200800	NUT	3		M8				
57	90190208030	BOLT	2		M8X30				
58	90101208012	BOLT	1		M8X12				
59	42710010280	LINK	1						
60	42710200010	CASE	1						
61	37000112850	PIN	2						
62	90303070401	WASHER,PLAIN	2		4				
63	80136316010	PIN,SPLIT	2		1.6X10				

AT-141-1 42043141200 LOWER, ISUZU NKR58E2N
PX1030242-01 FENDER



CLICK HERE TO **DOWNLOAD** THE COMPLETE MANUAL

- Thank you very much for reading the preview of the manual.
- You can download the complete manual from: www.heydownloads.com by clicking the link below



- Please note: If there is no response to CLICKING the link, please download this PDF first and then click on it.

CLICK HERE TO **DOWNLOAD** THE COMPLETE MANUAL

AT-141-1 42043141200 LOWER,ISUZU NKR58E2N

Pos No.	Parts No	Parts Name	Qty	Unit	Technical Data	Serial No (Start)	Serial No (End)	Remarks	Pages
1	90101512025	BOLT	4		M12X25				
2	90302041201	WASHER,SPRING	4		12				
3	42821110100	SUPPORT	1						
4	32811100030	COUPLING	1						
5	36650710000	PUMP,HYDRAULIC	1						00000
6	32811100020	SUPPORT	1						
7	90101506020	BOLT	1		M6X20				
8	90302040601	WASHER,SPRING	1		6				
9	90171110035	BOLT	2		M10X35				
10	90201701000	NUT	2		M10				
11	90302041001	WASHER,SPRING	2		10				
12	90303071001	WASHER,PLAIN	2		10				

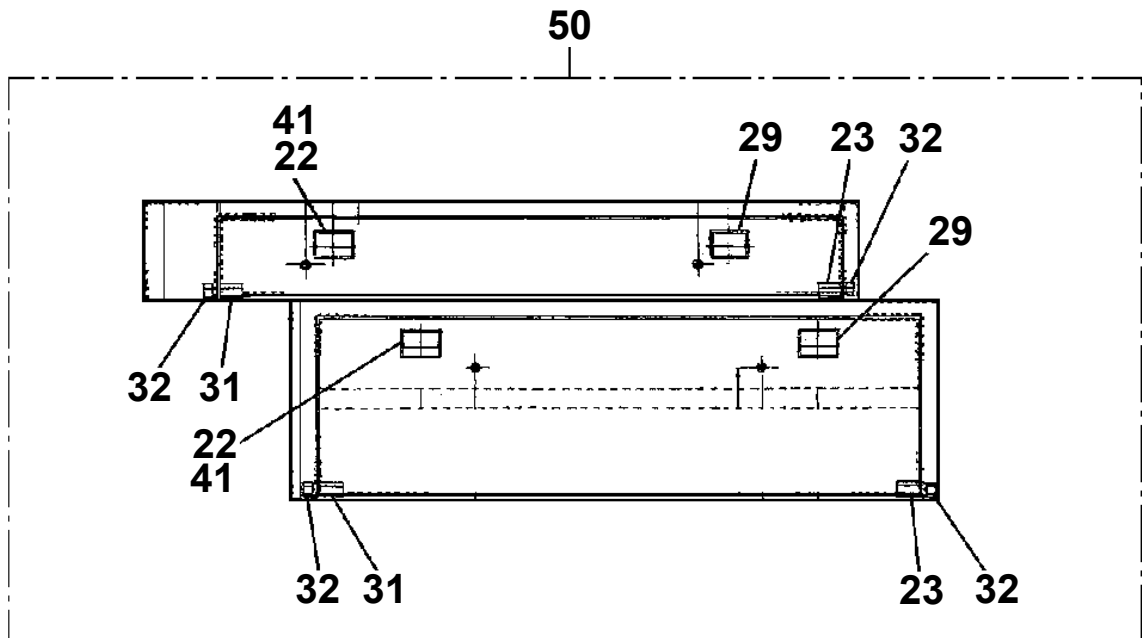
AT-141-1 42043141200 LOWER,ISUZU NKR58E2N

Pos No.	Parts No	Parts Name	Qty	Unit	Technical Data	Serial No (Start)	Serial No (End)	Remarks	Pages
1	42830932100	WEIGHT	1						
2	90101212070	BOLT	4		M12X70				
3	90302041201	WASHER,SPRING	4		12				
4	90201201200	NUT	4		M12				
5	37000505950	PLATE	8		T=3.2				
6	90101210025	BOLT	4		M10X25				
7	90201201000	NUT	4		M10				
8	90302041001	WASHER,SPRING	4		10				

AT-141-1 42043141200 LOWER,ISUZU NKR58E2N

Pos No.	Parts No	Parts Name	Qty	Unit	Technical Data	Serial No (Start)	Serial No (End)	Rem
1	37000505120	PLATE	3					
2	90101210020	BOLT	4		M10X20			
3	90302041001	WASHER,SPRING	4		10			
4	90303071001	WASHER,PLAIN	4		10			
5	42831401000	BOX,TOOL (BOOM,LEFT SIDE)	1					
6	12515253000	PLATE	1					

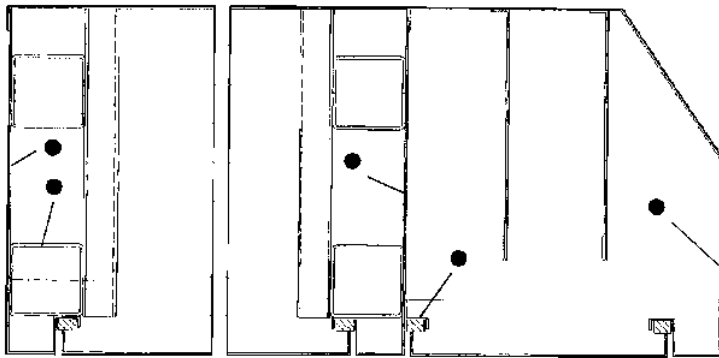
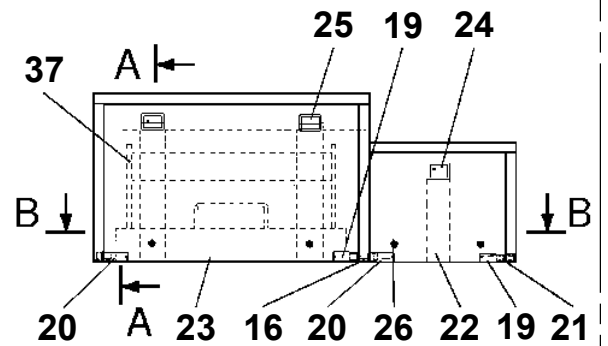
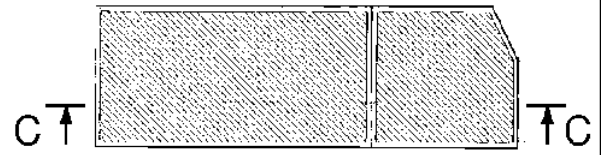
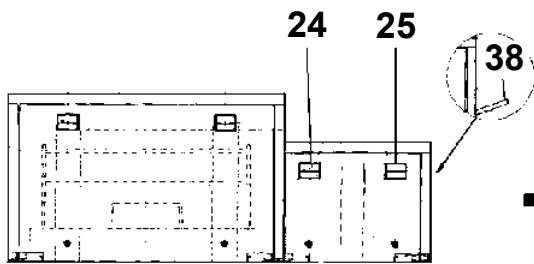
AT-141-1 42043141200 LOWER,ISUZU NKR58E2N
PX1350292-01 BOX,TOOL (LEFT,FOR HASHIMOTODENKOU)



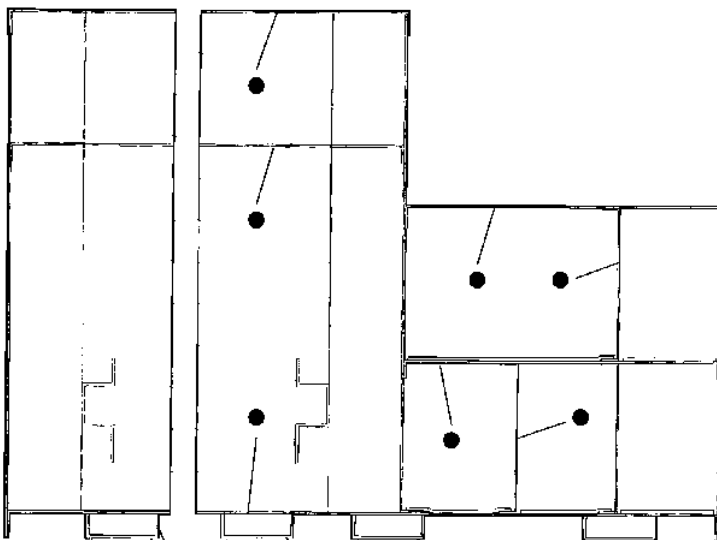
AT-141-1 42043141200 LOWER,ISUZU NKR58E2N
PX1350419-01 BOX,TOOL

100

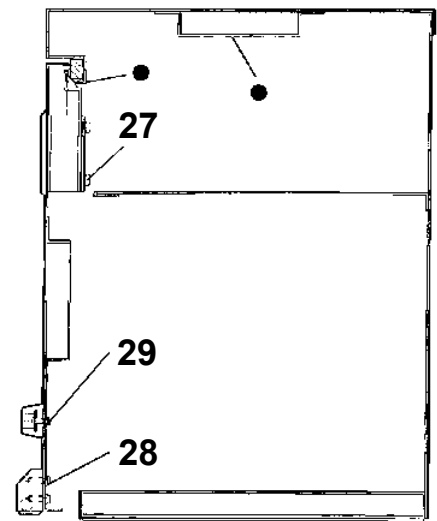
● : BODY, BOX KEY NO.1



B-B

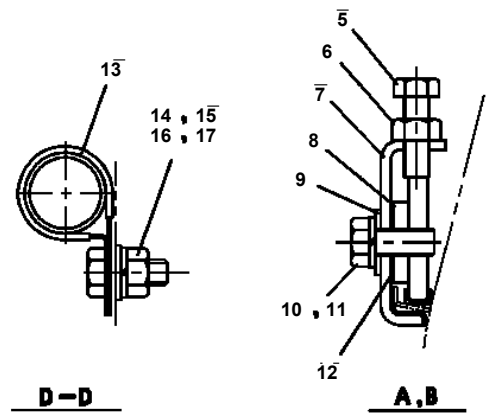
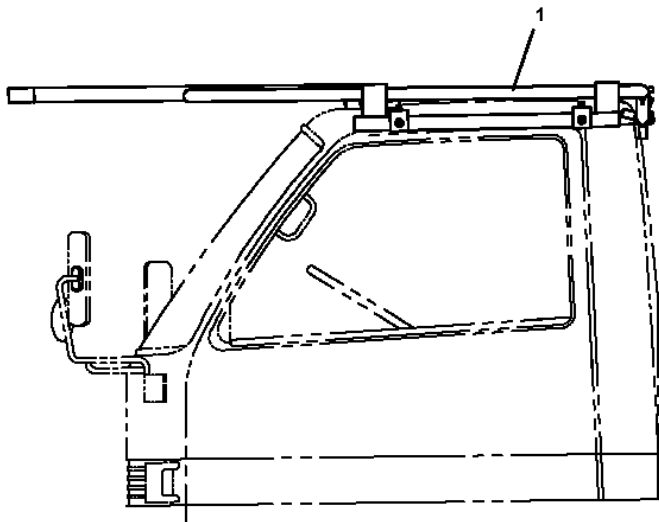
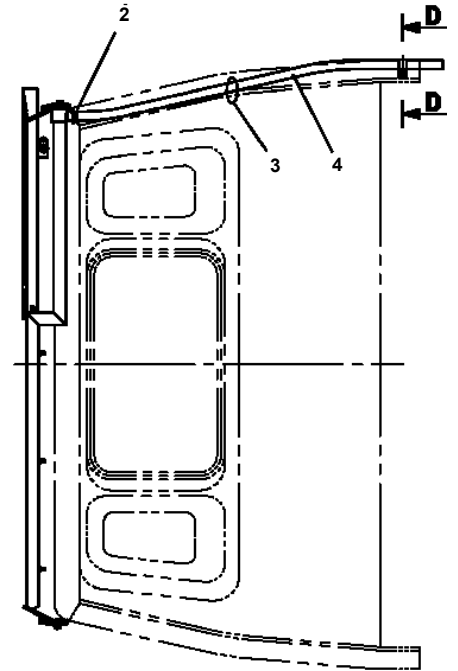
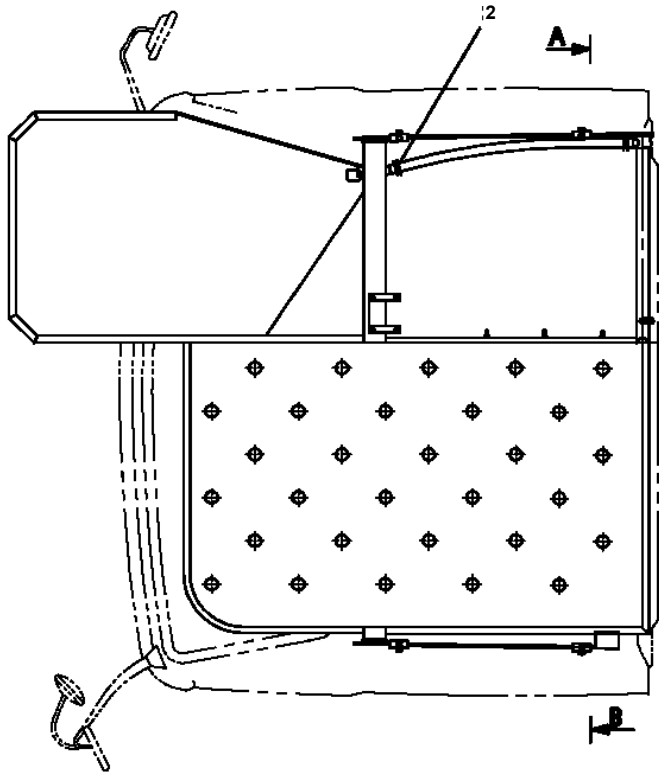


C-C



A-A

**AT-141-1 42043141200 LOWER,ISUZU NKR58E2N
PX1370055-01 CAB GUARD INSTALLATION**



CLICK HERE TO **DOWNLOAD** THE COMPLETE MANUAL

- Thank you very much for reading the preview of the manual.
- You can download the complete manual from: www.heydownloads.com by clicking the link below



- Please note: If there is no response to CLICKING the link, please download this PDF first and then click on it.

CLICK HERE TO **DOWNLOAD** THE COMPLETE MANUAL