

**AT-140-2 42002240800 LOWER,ISUZU KK-NKR71EN-5JXY**

PB3000093-00 POWER UNIT  
PO1000149-00 INDICATION PLATES  
PX2000535-00 CARRIER UNIT  
PX3000322-00 MOUNTING UNIT  
PY1000953-02 OPTIONS  
ASSEMBLY

CLICK HERE TO **DOWNLOAD** THE COMPLETE MANUAL

- Thank you very much for reading the preview of the manual.
- You can download the complete manual from: [www.heydownloads.com](http://www.heydownloads.com) by clicking the link below



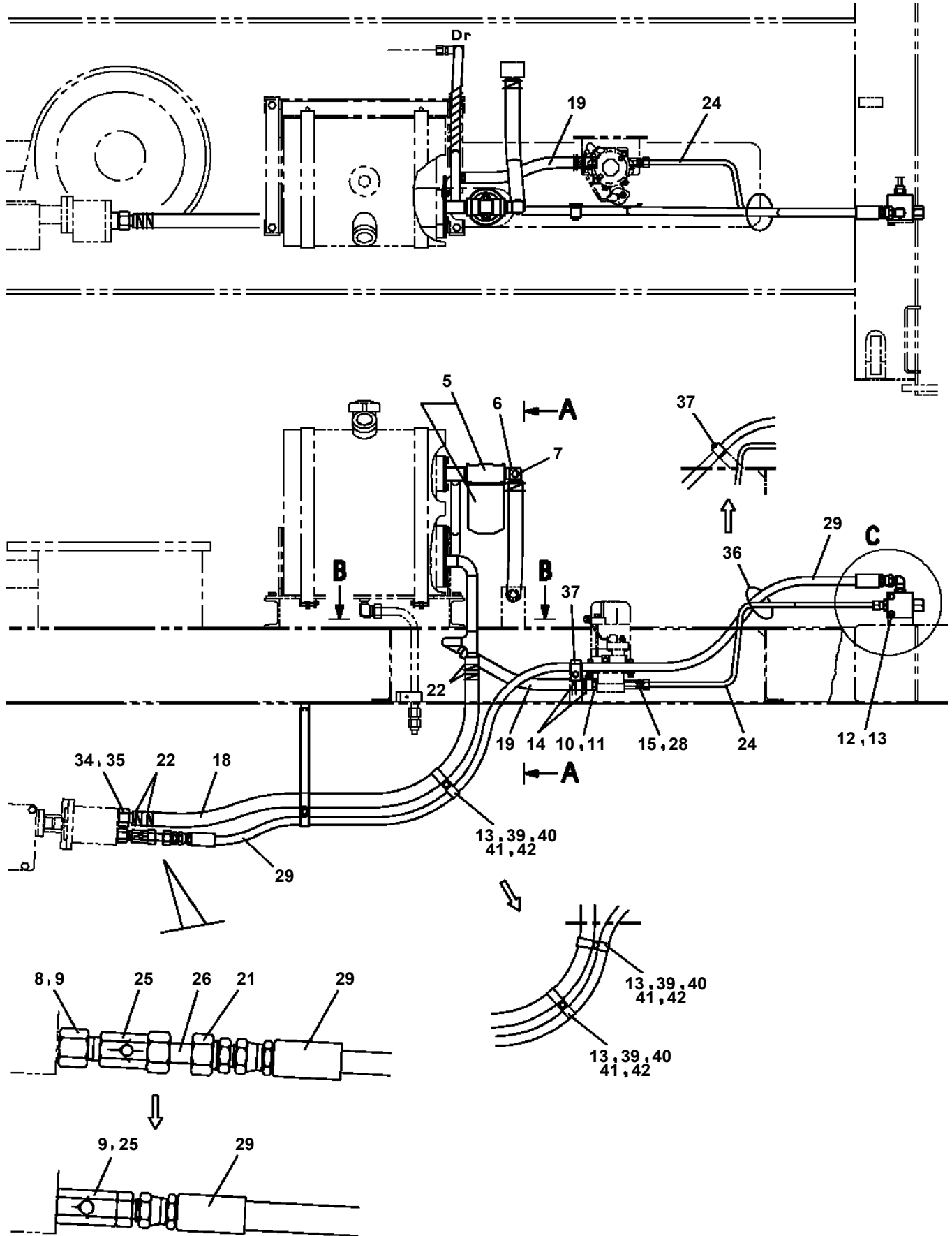
- Please note: If there is no response to CLICKING the link, please download this PDF first and then click on it.

CLICK HERE TO **DOWNLOAD** THE COMPLETE MANUAL

# AT-140-2 42002240800 LOWER,ISUZU KK-NKR71EN-5JXY

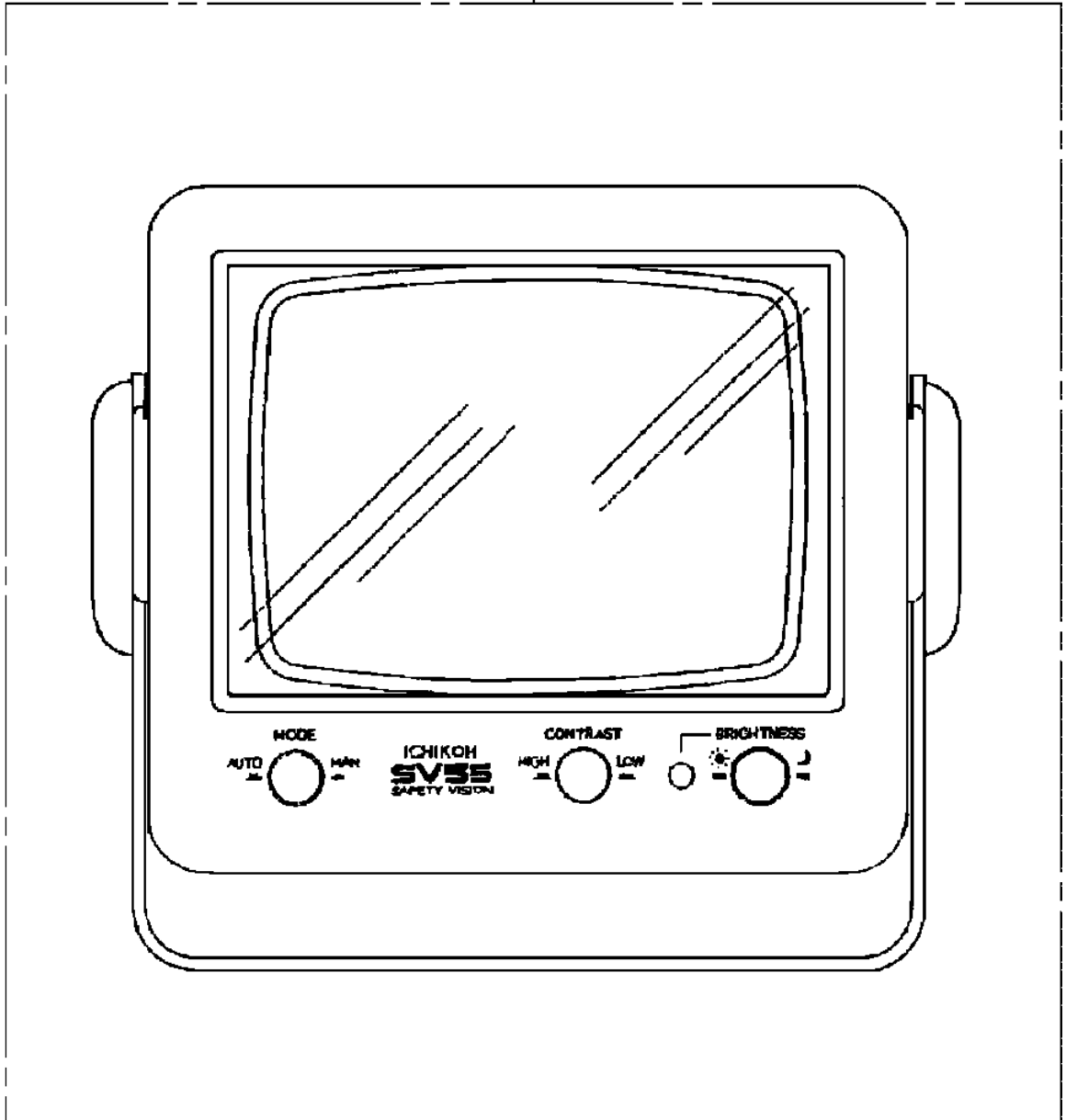
Pos No.	Parts No	Parts Name	Qty	Unit	Technical Data	Serial No (Start)	Serial No (E
2	(*****)	PUMP,GREASE (400CC)	1			220165	
3	42473401000	TOOLS	1			220165	
4	42510290000	CABLE ASSY (PC CONNECTION CABLE)	1			220205	
11	(*****)	LAMP (YELLOW/REOVLVING)	1				220171
	(*****)	LAMP (O/R FLICKER)	1			220172	220175
12	(*****)	ELEC.ASSY (FLICKER LAMP)	1			220172	220175
13	(*****)	LAMP (YELLOW)	1			220176	

**AT-140-2 42002240800 LOWER,ISUZU KK-NKR71EN-5JXY  
PB1411751-01 PIPING,LOWER**

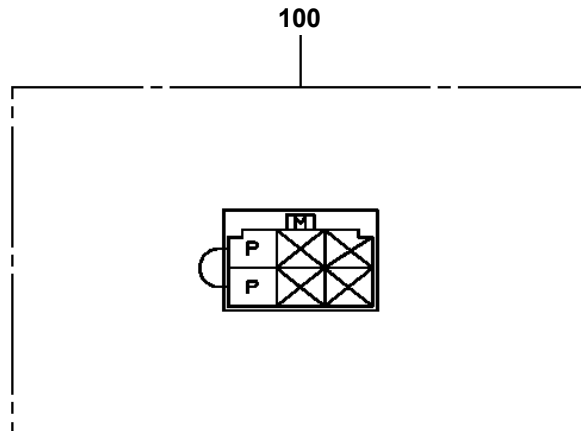


AT-140-2 42002240800 LOWER, ISUZU KK-NKR71EN-5JXY  
PH1710008-01 DISPLAY (MONITOR)

50



**AT-140-2 42002240800 LOWER,ISUZU KK-NKR71EN-5JXY  
PH5034365-00 HARNESS**



CLICK HERE TO **DOWNLOAD** THE COMPLETE MANUAL

- Thank you very much for reading the preview of the manual.
- You can download the complete manual from: [www.heydownloads.com](http://www.heydownloads.com) by clicking the link below

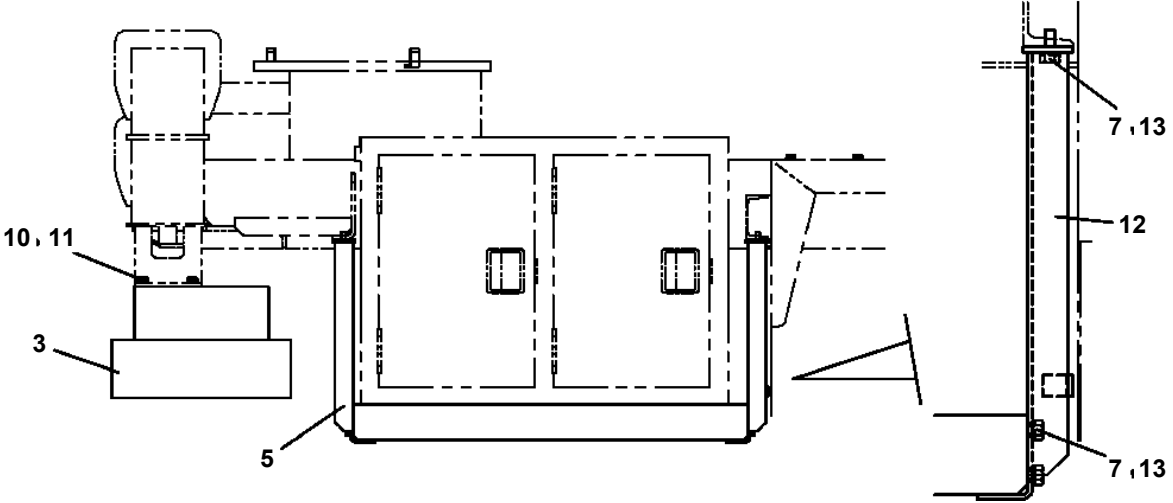
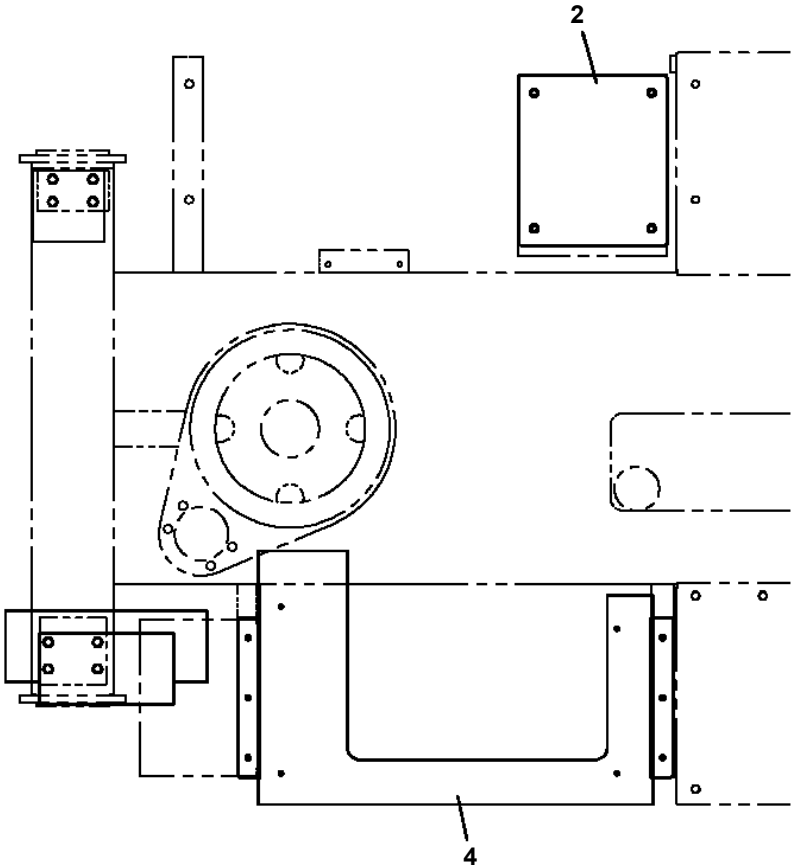
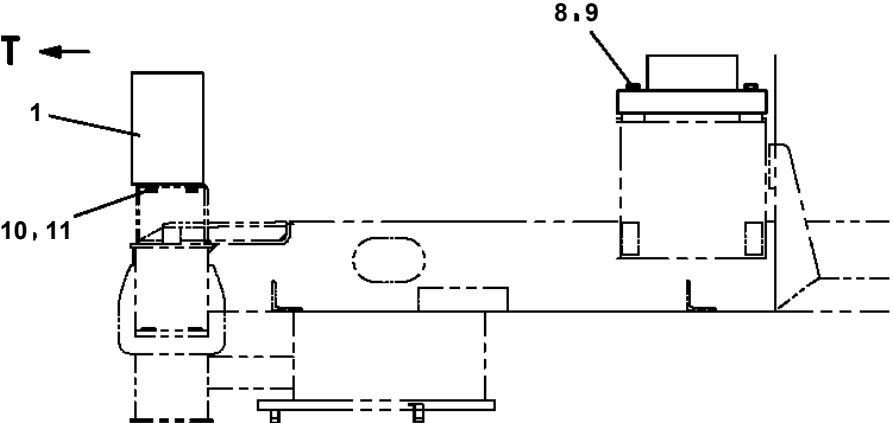


- Please note: If there is no response to CLICKING the link, please download this PDF first and then click on it.

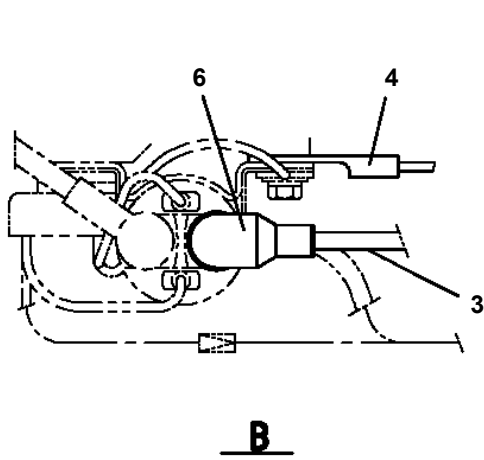
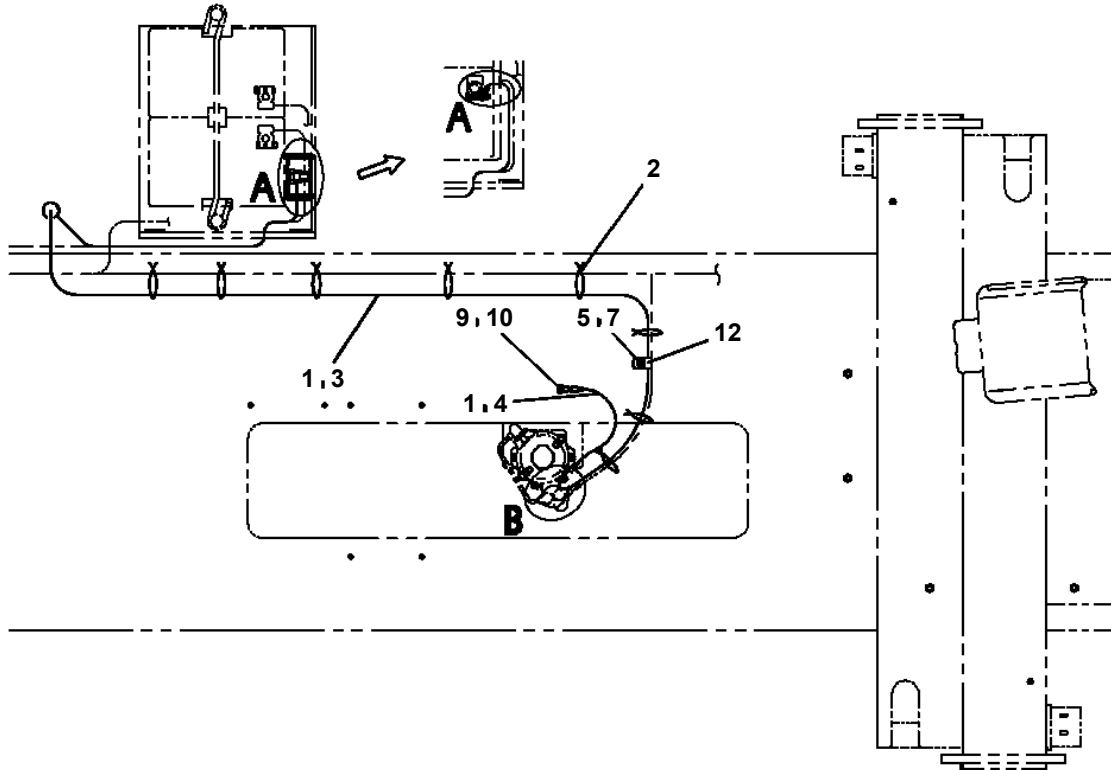
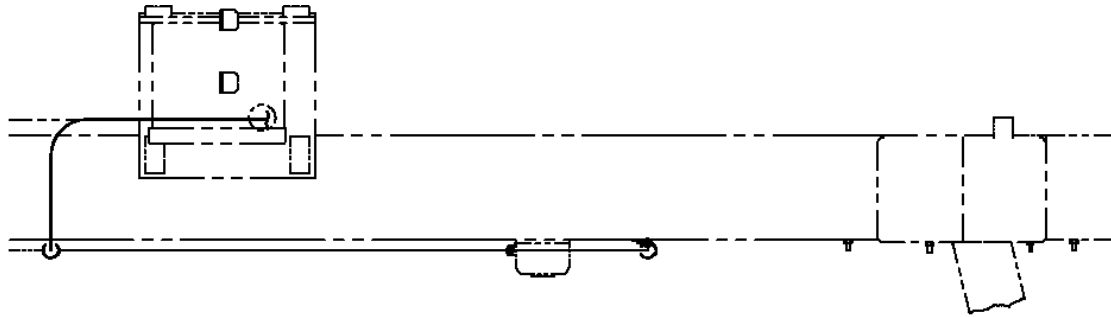
CLICK HERE TO **DOWNLOAD** THE COMPLETE MANUAL

AT-140-2 42002240800 LOWER,ISUZU KK-NKR71EN-5JXY  
PK1230125-00 WEIGHT

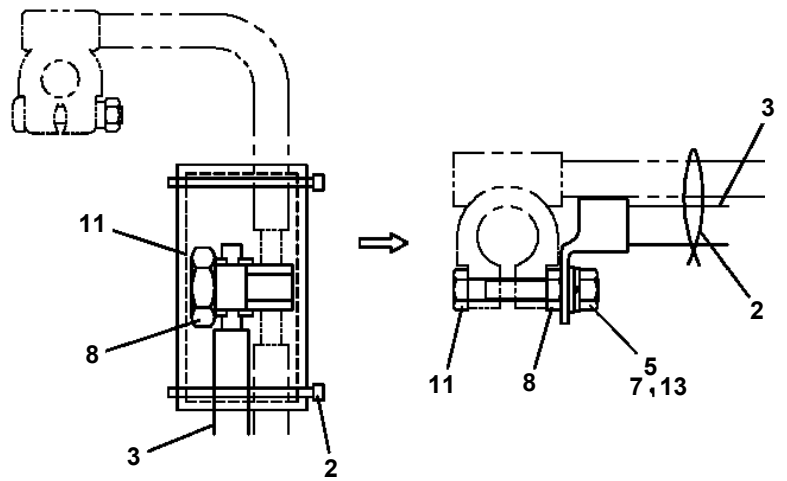
FRONT ←



**AT-140-2 42002240800 LOWER,ISUZU KK-NKR71EN-5JXY  
PN1014010-00 ELEC.ASSY (EMERGENCY PUMP)**

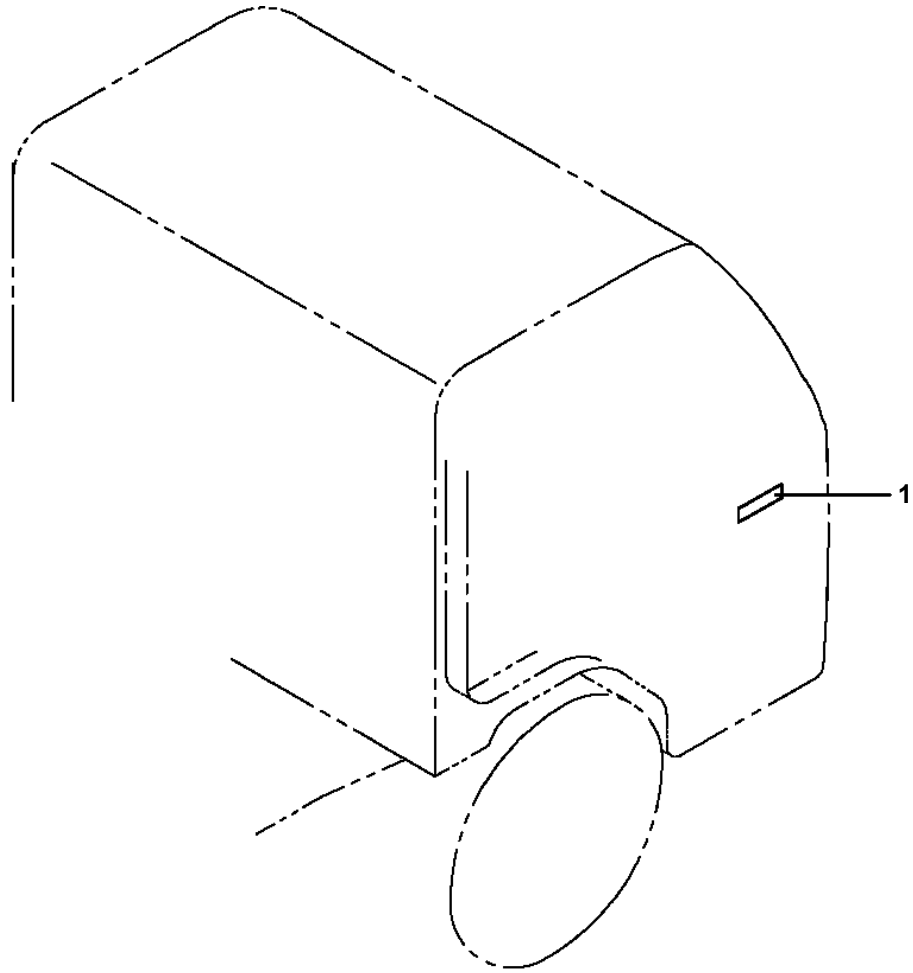


**B**



**A**

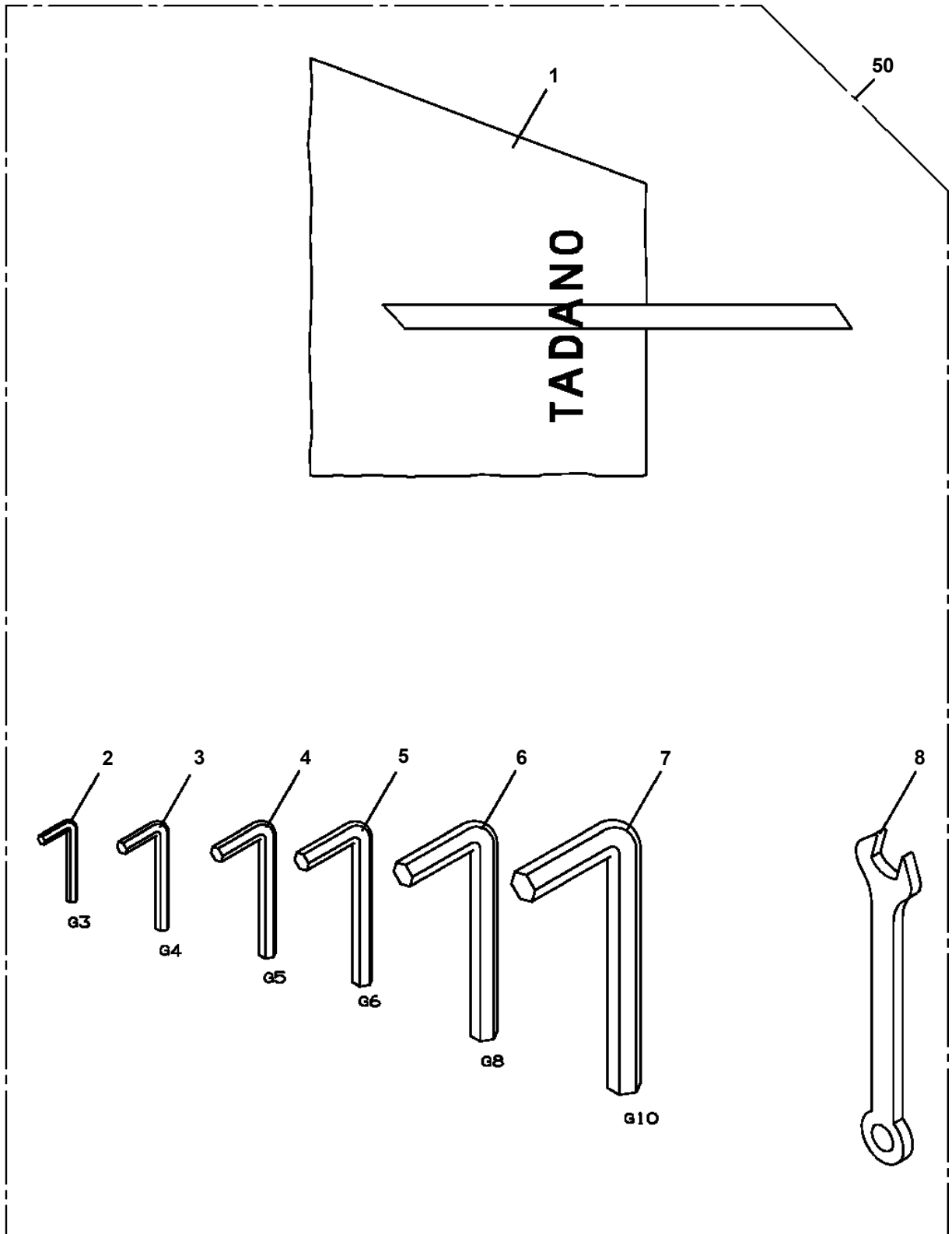
AT-140-2 42002240800 LOWER,ISUZU KK-NKR71EN-5JXY  
PO1014459-01 PLATE ASSY,NAME



1

<p><b>事故点探査装置使用時の注意</b></p> <p>事故点探査装置を使用する時は、ヘッドライトを消して下さい。 バッテリー上がりの原因となります。</p>
--

AT-140-2 42002240800 LOWER,ISUZU KK-NKR71EN-5JXY  
PW1030047-01 TOOLS

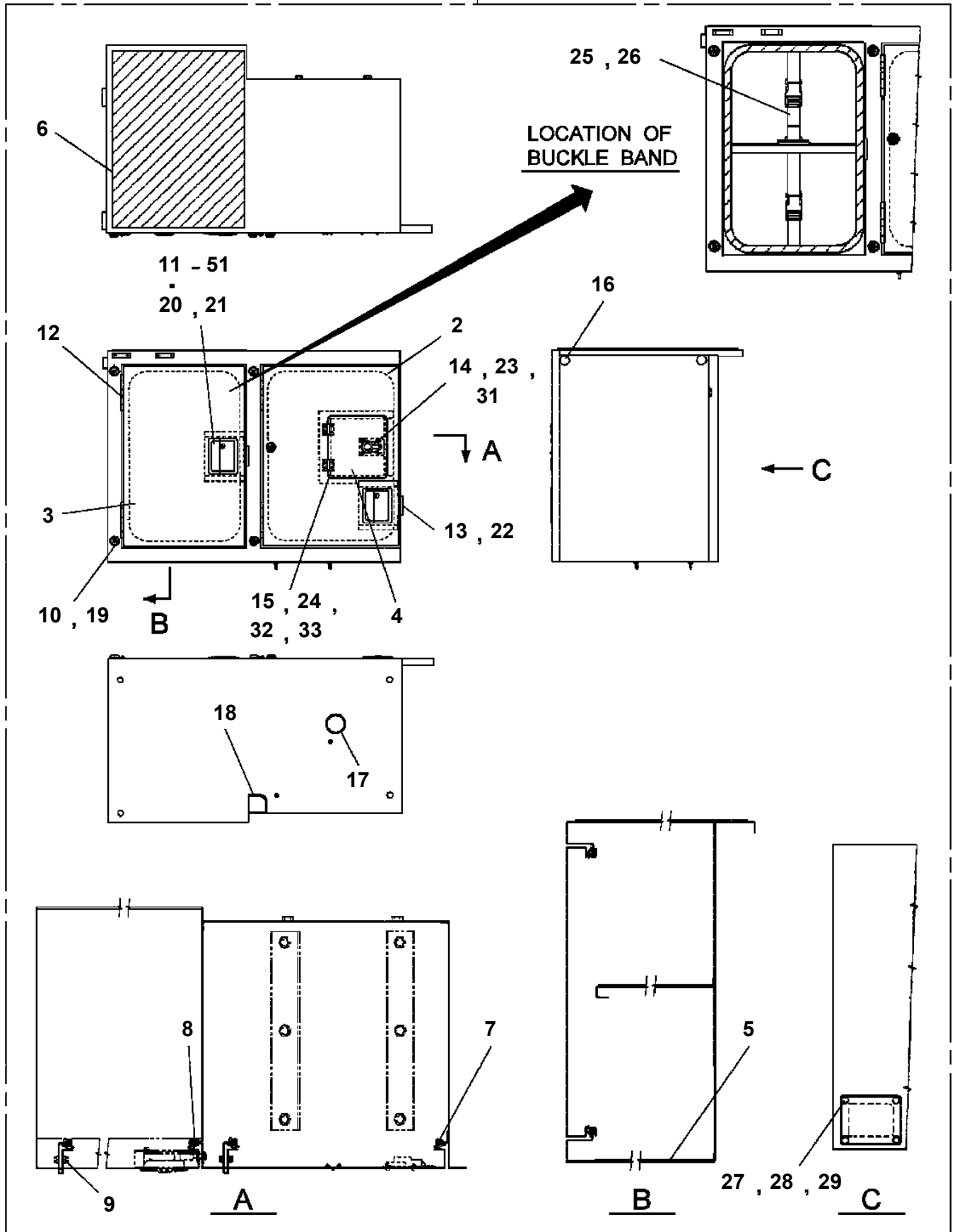


# AT-140-2 42002240800 LOWER,ISUZU KK-NKR71EN-5JXY

Pos No.	Parts No	Parts Name	Qty	Unit	Technical Data	Serial No (Start)	Serial No (End)	Remarks	Pages
2	42773232001	GUARD,SIDE	1						
3	42772172200	SUPPORT	1						
4	90201200800	NUT	4		M8				
5	42772174000	GUARD,SIDE	1						
6	90302041001	WASHER,SPRING	8		10				
7	90101210025	BOLT	2		M10X25				
8	90101210018	BOLT	6		M10X18				
9	82400000345	CHAIN (QTY=L)	1	M					
10	90303070601	WASHER,PLAIN	1		6				
11	90302040601	WASHER,SPRING	1		6				
12	90201200600	NUT	1		M6				
13	90101206016	BOLT	1		M6X16				
14	90101208016	BOLT	4		M8X16				
15	90303071001	WASHER,PLAIN	6		10				
16	90302040801	WASHER,SPRING	4		8				
42	37000521580	PLATE	1						
43	90101210025	BOLT	1		M10X25				
44	90302041001	WASHER,SPRING	1		10				

AT-140-2 42002240800 LOWER, ISUZU KK-NKR71EN-5JXY  
PX1350531-02 BOX, TOOL

100



CLICK HERE TO **DOWNLOAD** THE COMPLETE MANUAL

- Thank you very much for reading the preview of the manual.
- You can download the complete manual from: [www.heydownloads.com](http://www.heydownloads.com) by clicking the link below



- Please note: If there is no response to CLICKING the link, please download this PDF first and then click on it.

CLICK HERE TO **DOWNLOAD** THE COMPLETE MANUAL