

AT-121-1 43007140300 LOWER,ISUZU KR-NKR81E3N-5JXHYP

PB3000088-00 POWER UNIT
PO1000171-00 INDICATION PLATES
PX2000181-00 CARRIER UNIT
PX3000150-02 MOUNTING UNIT
PY2000054-03 OPTIONS,1
ASSEMBLY

CLICK HERE TO **DOWNLOAD** THE COMPLETE MANUAL

- Thank you very much for reading the preview of the manual.
- You can download the complete manual from: www.heydownloads.com by clicking the link below



- Please note: If there is no response to CLICKING the link, please download this PDF first and then click on it.

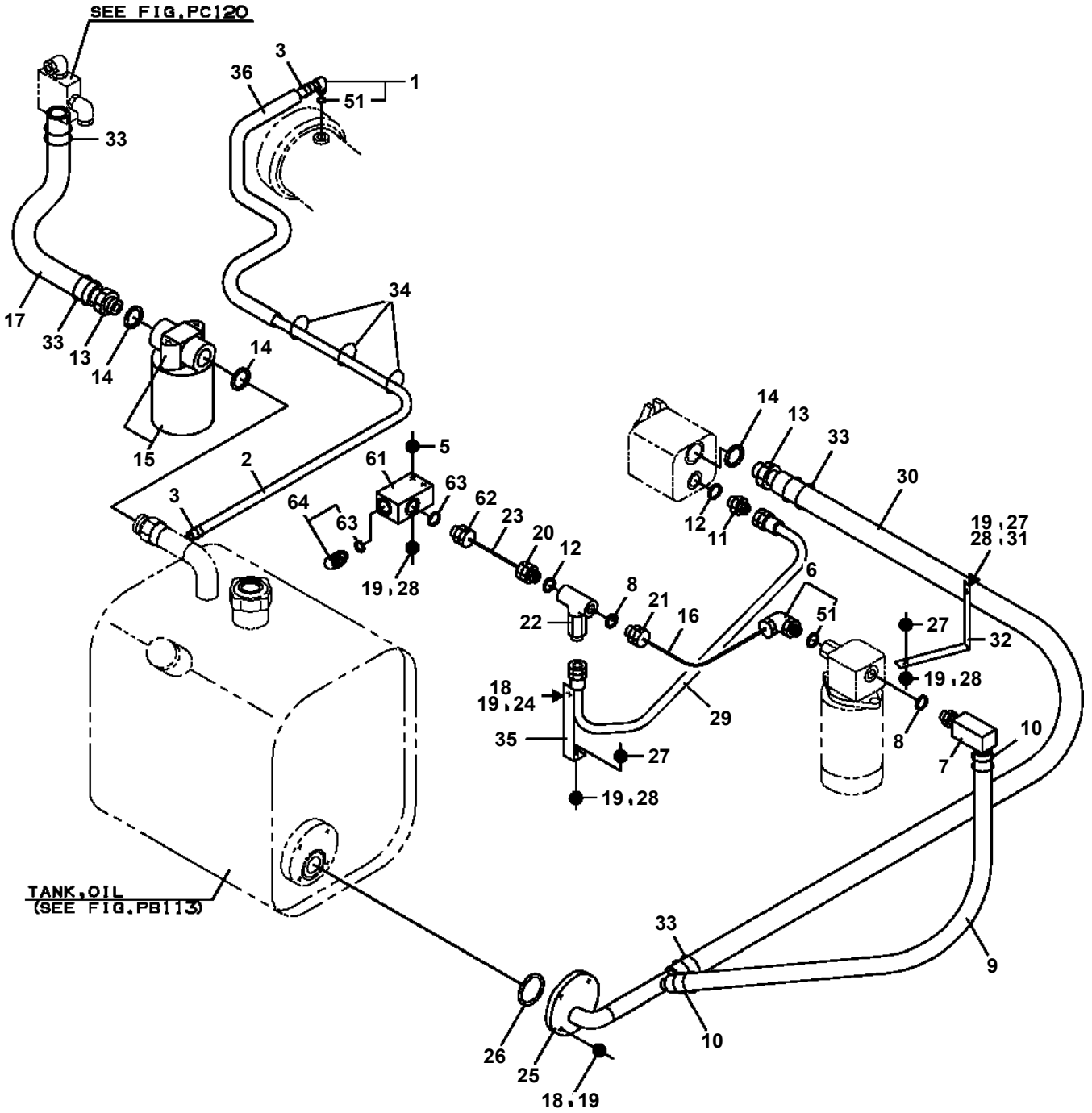
CLICK HERE TO **DOWNLOAD** THE COMPLETE MANUAL

AT-121-1 43007140300 LOWER,ISUZU KR-NKR81E3N-5JXHYP

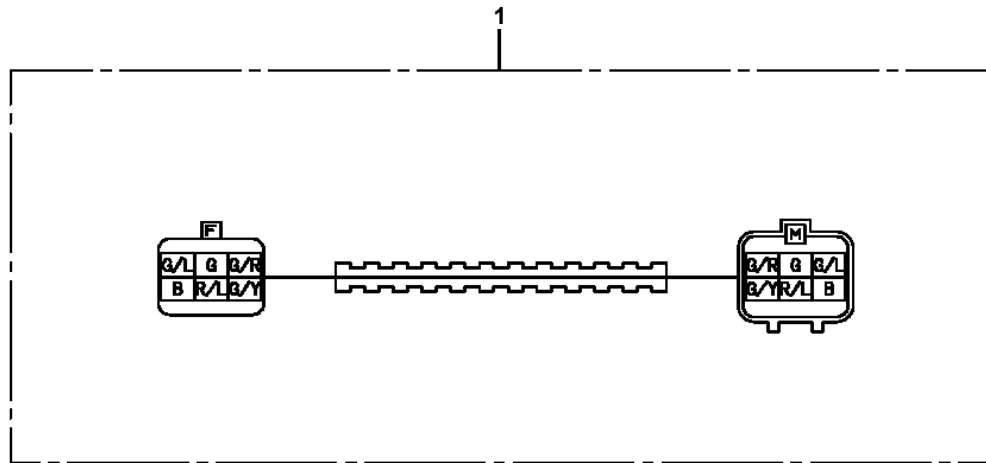
Pos No.	Parts No	Parts Name	Qty	Unit	Technical Data	Serial No (Start)	Serial No (End)	Remarks	Pages
1	(*****)	EARTHING DEVICE	1						000042
2	(*****)	EARTHING DEVICE	1						000043

**AT-121-1 43007140300 LOWER,ISUZU KR-NKR81E3N-5JXHYB
PB1411357-00 PIPING,LOWER**

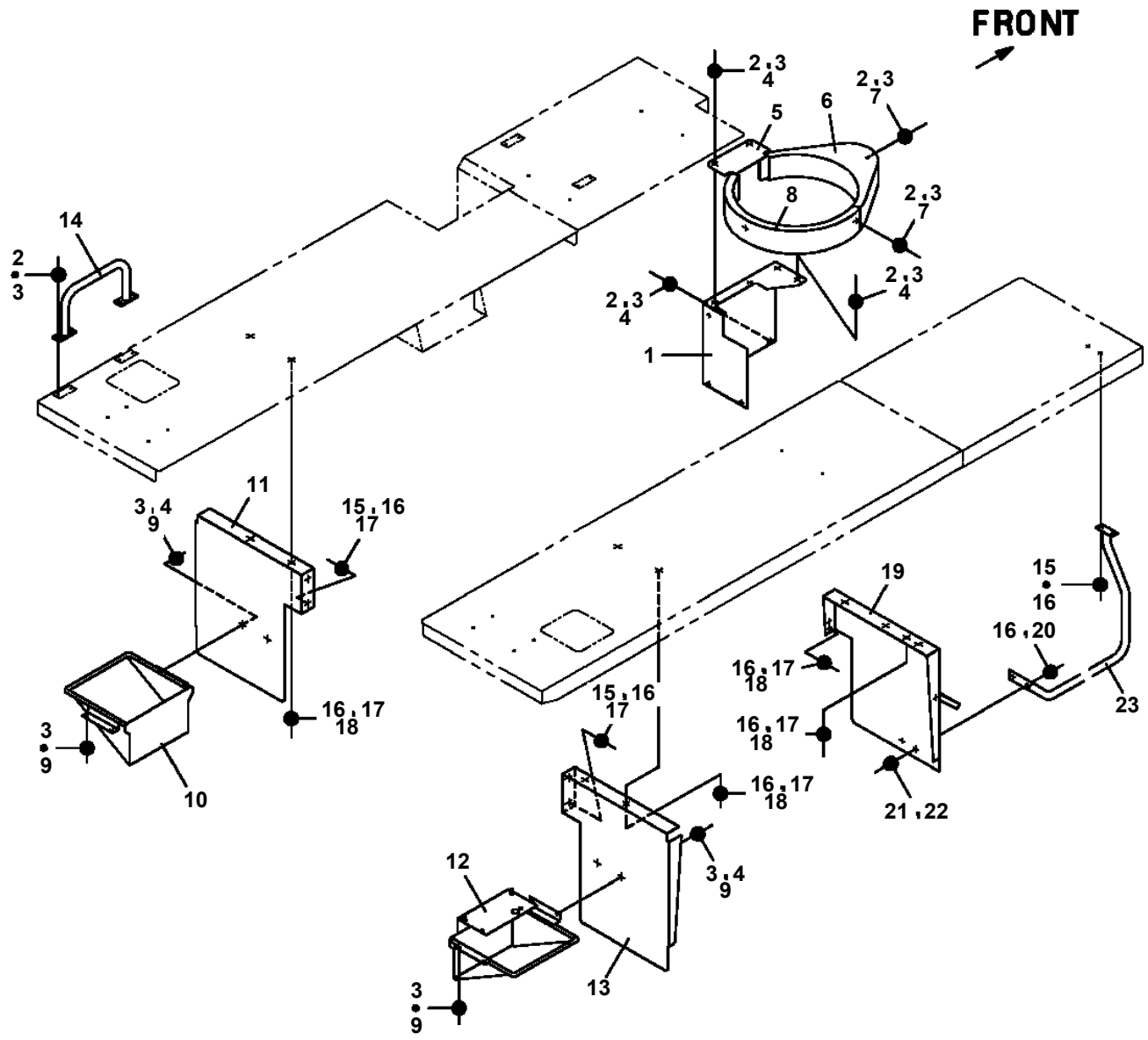
FRONT



AT-121-1 43007140300 LOWER,ISUZU KR-NKR81E3N-5JXHYB
PH5031756-00 HARNESS



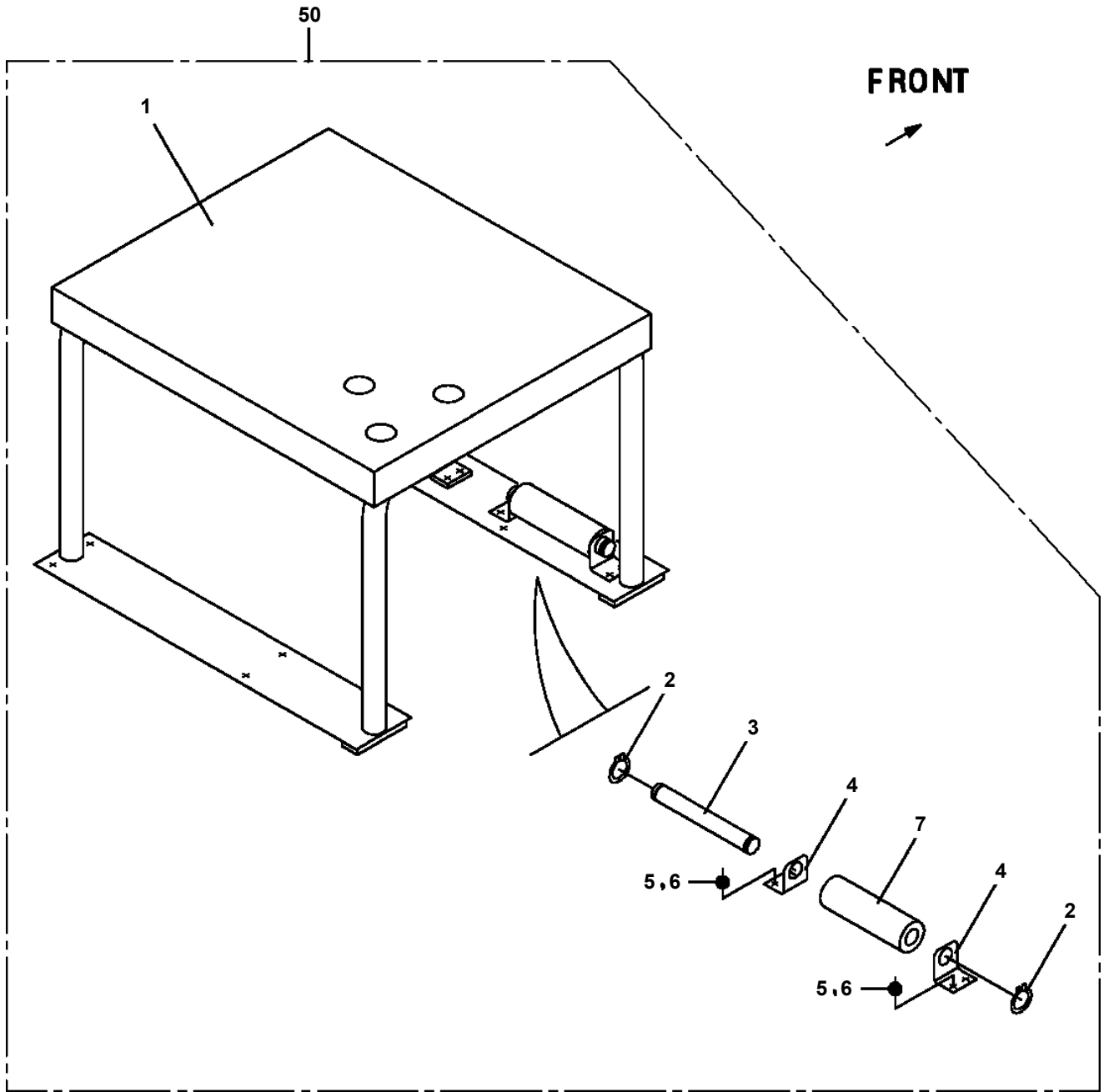
AT-121-1 43007140300 LOWER,ISUZU KR-NKR81E3N-5JXHYB
PK1330194-00 COVER



AT-121-1 43007140300 LOWER,ISUZU KR-NKR81E3N-5JXHYB

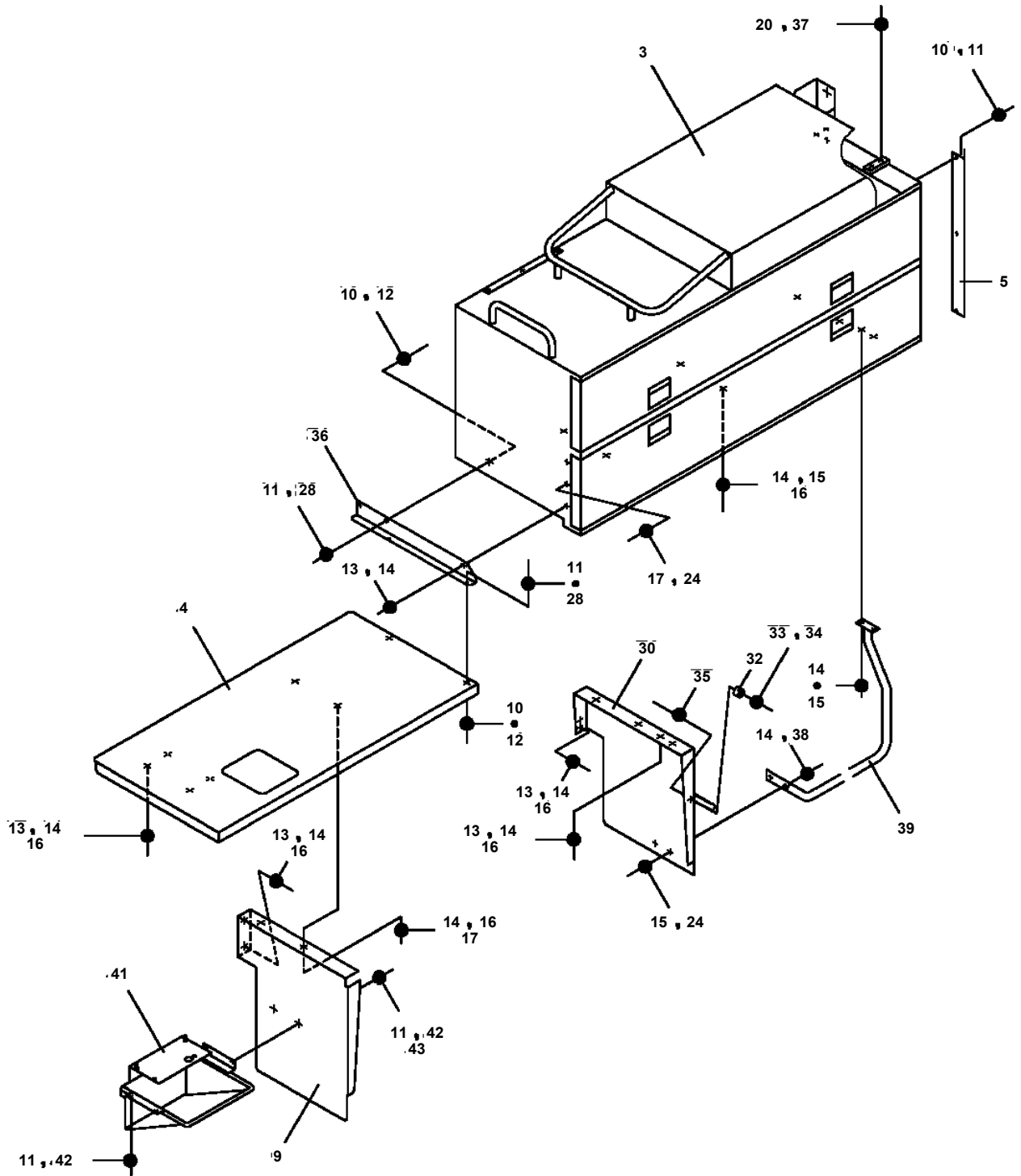
Pos No.	Parts No	Parts Name	Qty	Unit	Technical Data	Serial No (Start)	Serial No (End)	Remark
1	42714371101	SUPPORT	1					
2	42714371201	COVER	1					
3	90101206012	BOLT	7		M6X12			
4	90302040601	WASHER,SPRING	7		6			
5	42714371400	MOTOR ASSY (ASSY ONLY)	1					
6	90101208035	BOLT	2		M8X35			
7	90201200800	NUT	2		M8			
8	90302040801	WASHER,SPRING	4		8			
9	37000105720	PIN	1					
10	80136320010	PIN,SPLIT	1		2X10			
11	90303070601	WASHER,PLAIN	1		6			
12	82100002006	CLAMP	1		WR10			
13	90303070801	WASHER,PLAIN	2		8			
14	42714371300	SUPPORT	1					
15	90101208020	BOLT	2		M8X20			

AT-121-1 43007140300 LOWER,ISUZU KR-NKR81E3N-5JXHYB
PX1260197-01 STEP



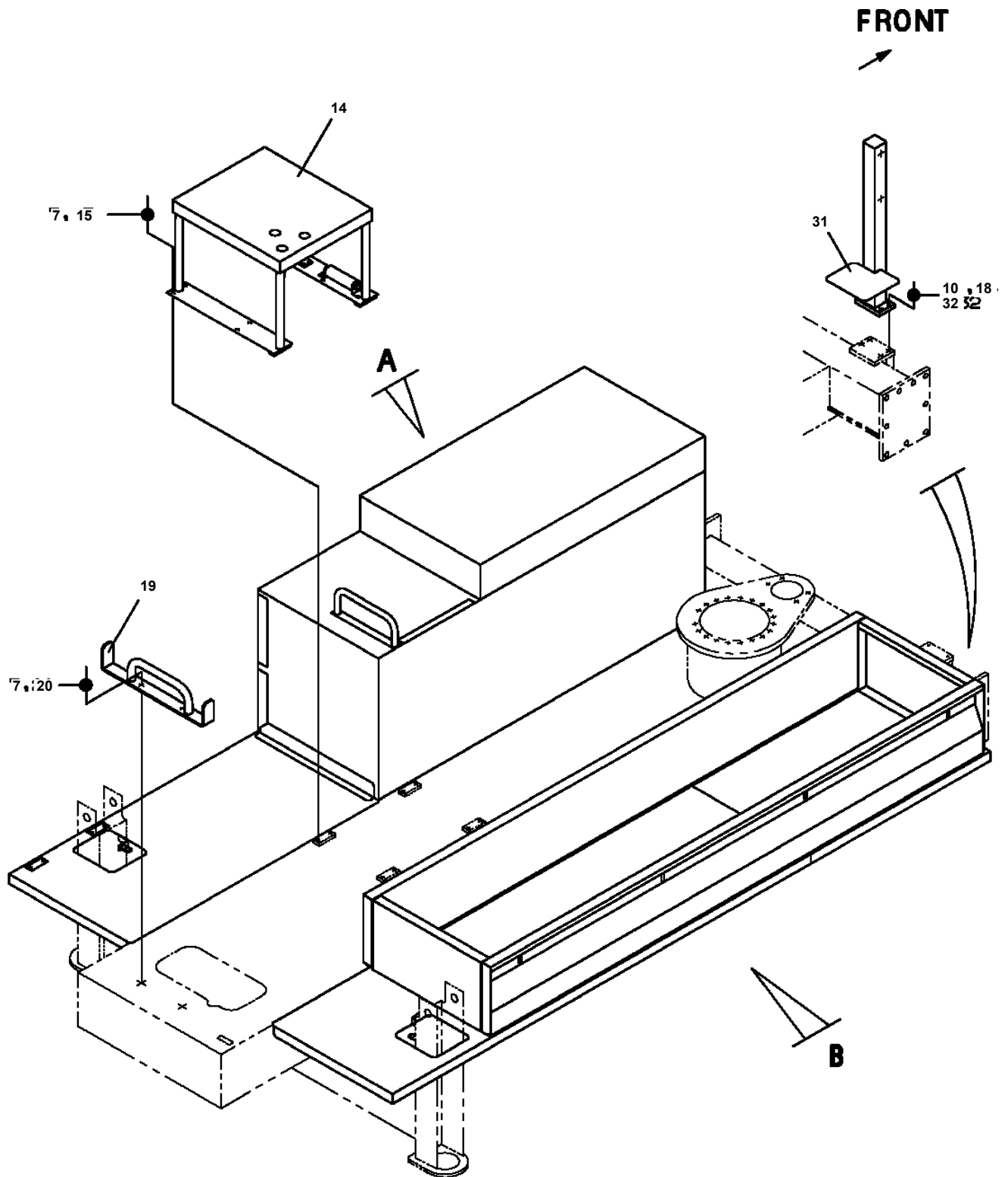
AT-121-1 43007140300 LOWER,ISUZU KR-NKR81E3N-5JXHYB
PX1350614-00 BOX,TOOL

FRONT



B

AT-121-1 43007140300 LOWER,ISUZU KR-NKR81E3N-5JXHYB
PX1350628-00 BOX,TOOL



CLICK HERE TO **DOWNLOAD** THE COMPLETE MANUAL

- Thank you very much for reading the preview of the manual.
- You can download the complete manual from: www.heydownloads.com by clicking the link below



- Please note: If there is no response to CLICKING the link, please download this PDF first and then click on it.

CLICK HERE TO **DOWNLOAD** THE COMPLETE MANUAL