

## **AT-101-1 42042100003 UPPER**

**PB1000223-03 HYDRAULIC PRESSURE GENERATING SYSTEM**  
**PC1000167-02 OUTRIGGER SYSTEM**  
**PD1000207-02 SWING SYSTEM**  
**PE1000206-02 ELEVATING SYSTEM**  
**PG1000204-02 TELESCOPING SYSTEM**  
**PJ3000040-03 PLATFORM SYSTEM**  
**PK1000216-01 FRAME**  
**PL1000212-02 CONTROL DEVICES**  
**PN1000177-03 ELECTRIC EQUIPMENT**  
**PO1000144-01 INDICATION PLATES**  
**PV1000019-02 REMOTE CONTROL SYSTEM**  
**PW1000028-00 ACCESSORIES & TOOLS**  
**PX1000217-01 MOUNTING PARTS**  
**PY1000188-03 OPTIONS**  
**ASSEMBLY**

CLICK HERE TO **DOWNLOAD** THE COMPLETE MANUAL

- Thank you very much for reading the preview of the manual.
- You can download the complete manual from: [www.heydownloads.com](http://www.heydownloads.com) by clicking the link below



- Please note: If there is no response to CLICKING the link, please download this PDF first and then click on it.

CLICK HERE TO **DOWNLOAD** THE COMPLETE MANUAL

# AT-101-1 42042100003 UPPER

Pos No.	Parts No	Parts Name	Qty	Unit	Technical Data	Serial No (Start)	Serial No (End)	Rema
1	(*****)	BOOM	1					
2	(*****)	CYLINDER,TELESCOPING	1					
3	(*****)	DETECTOR,BOOM RETRACTION	1					

# AT-101-1 42042100003 UPPER

Pos No.	Parts No	Parts Name	Qty	Unit	Technical Data	Serial No (Start)	Serial No (End)	Remark
1	(*****)	PLATE ASSY,NAME (VEHICLE)	1					

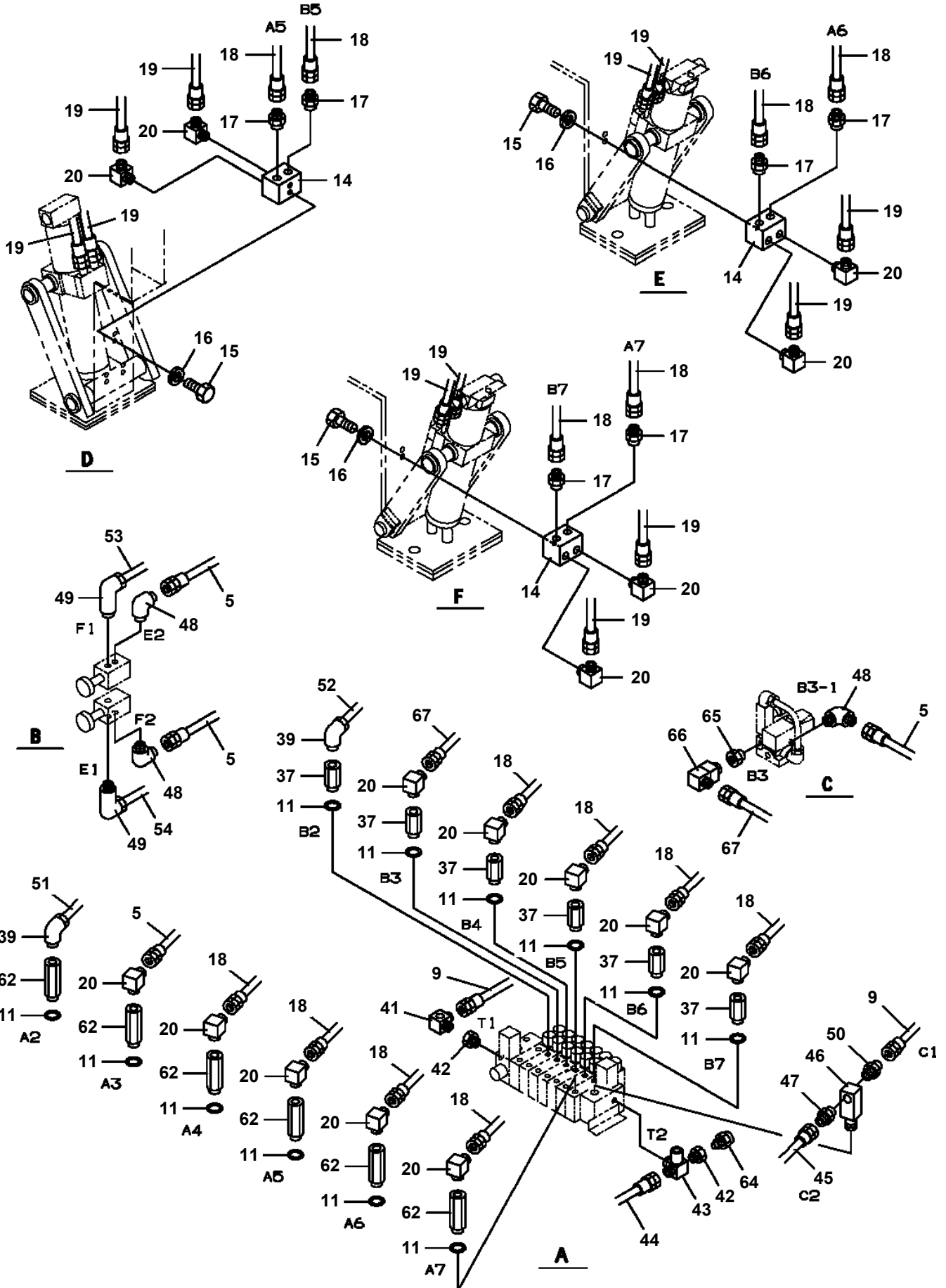
## **AT-101-1 42042100003 UPPER**

PN1010889-00 ELEC.ASSY (SWING FRAME)  
PN1011053-03 ELEC.ASSY (FRAME)  
PN1011054-01 ELEC.ASSY (BATTERY CHARGER)  
PN1011709-01 ELEC.ASSY (BUCKET)  
PN1012208-00 ELECTRICAL ACCESSORIES  
PN1030017-01 OPTICAL CABLE  
PN1210000-00 TRANSMITTER,SIGNAL  
PN1210001-00 TRANSMITTER,SIGNAL  
PN1210002-00 TRANSMITTER,SIGNAL  
PN1420010-00 CHARGER,BATTERY (OPTION)  
PO1012103-01 PLATE ASSY,NAME (VEHICLE)  
PP5450003-00 PUMP,GREASE (240CC)  
PV1020016-02 VALVE,REMOTE CONTROL(NACHI)  
PV1030109-00 SWITCH BOX (ELECTRIC BOOSTER, 3M,NANABOSI,SINKOU DENKI)  
PW1010003-03 ACCESSORIES  
PW1030015-01 TOOLS  
PW1050018-01 WEDGE (STOPPER FOR TIRE/JUSTIN)  
PW5110002-00 WEDGE (STOPPER FOR TIRE/WAZUMI)  
PW5110003-00 WEDGE (STOPPER FOR TIRE/NAKAMURA KIKI)  
PX1250062-02 COVER INSTALLATION  
PX1250063-00 COVER INSTALLATION  
PX1810010-00 MOUNT,SUPPORT (LED,JACK)  
PY1070000-00 ROPE (SAFETY,YELLOW:TD-TYPE)  
PY1090001-00 BELT,SAFETY  
PY1540016-00 COVER,BUCKET  
PY1590000-02 HOSE,BOOSTER (WITH AIR BALLOON)  
PY1590001-01 HOSE,BOOSTER (FEMALE-FEMALE,3M)  
PY1760001-00 STEP,BUCKET

# AT-101-1 4204210003 UPPER

Pos No.	Parts No	Parts Name	Qty	Unit	Technical Data	Serial No (Start)	Serial No (End)
93	82100001142	CLAMP	1		D=10.6		
94	82100000665	CAP (BLACK)	5				
96	42420051750	HARNESS	1				
98	90302040401	WASHER,SPRING	7		4		
99	80172304012	SCREW,MACHINE	7		M4X12		
100	82100001145	CLAMP	1		D=15.2		
101	90201200600	NUT	4		M6		
	90201200600	NUT	8		M6		250145
	90201200600	NUT	6		M6	250146	
102	90302040601	WASHER,SPRING	8		6		250145
	90302040601	WASHER,SPRING	4		6		
	90302040601	WASHER,SPRING	1		6		250139
	90302040601	WASHER,SPRING	6		6	250146	
103	90303070601	WASHER,PLAIN	1		6		250139
	90303070601	WASHER,PLAIN	2		6		
104	82100002608	COVER (OLS-C)	1				
105	82100001139	CLAMP	2		D=5.3		
106	82100002684	SOCKET	1				
108	42420051770	LAMP ASSY	1				
109	90201200400	NUT	2		M4		
110	42802690020	SWITCH ASSY	1				
111	44260020240	INSULATOR	2				
121	42420051711	PANEL	1				
125	42420051741	HARNESS	1				
127	82100001149	CLAMP	1		D=22.1		
142	82100001783	RELAY	12				
143	82100000192	TERMINAL	1				
144	82100000182	INSULATOR	1				
151	32700007100	COVER	1				250139
152	82400000303	LEVEL	1				250139
153	32700007200	SUPPORT	1				250139
154	90201200500	NUT	6		M5		250139
155	80183306016	SCREW,MACHINE	1		M6X16		250139
167	31660005010	CAP (BREATHER)	1				
168	36100035010	GAUGE ASSY	1		L=180		
169	31660005030	PLUG	1				
170	31660005040	GASKET	1				
181	82100002469	BATTERY	1				
182	42420052310	HARNESS	1				
183	82100001261	CAP	1				
192	42420052230	COVER	1				
193	42420052250	HARNESS	1				
194	42800040030	HARNESS	1				250145
195	82100002016	CLAMP	1		WR25		
196	80182308012	SCREW,MACHINE	5		M8X12		
197	90302040801	WASHER,SPRING	5		8		
198	90303070801	WASHER,PLAIN	5		8		
200	82100001782	RELAY	1				250145
201	42420052260	HARNESS	1				
202	42420052270	HARNESS	1				
205	90101206020	BOLT	2		M6X20		250145
206	90101206012	BOLT	5		M6X12		
211	36610900000	VALVE,FLOW CONTROL	1				
212	36644090000	VALVE,SOLENOID	1				
213	90131505030	BOLT,HEXAGON SOCKET	4		M5X30		
214	42420052410	FITTING,FLANGE	1				
215	80314140080	FITTING,ELBOW	1				
216	80316090060	PLUG	1		KKT PT3/8		
217	42420052420	SUPPORT	1				
218	81408000130	PIPE,STEEL	1	M	10X1.8T		
219	80314140060	FITTING,ELBOW	1				
220	80306030020	JOINT,NIPPLE	1				
221	37000920380	JOINT	1				

**AT-101-1 42042100003 UPPER  
PB1410418-01 PIPING, HYDRAULIC LOWER**



**AT-101-1 4204210003 UPPER**

Pos No.	Parts No	Parts Name	Qty	Unit	Technical Data	Serial No (Start)	Serial No (End)	Remarks
1	37002300010	BEARING,SWING (NACHI)	1					
2	37001500090	BOLT	10		M16X110			
3	90201701600	NUT	10		M16			
4	90302041601	WASHER,SPRING	14		16			
5	(***** 91001208500	REDUCER,SWING SPEED	1					
6	91001208500	O-RING	1		1A G85			
7	90191512035	BOLT	4		M12X35			
8	90302041201	WASHER,SPRING	4		12			
9	37001500270	BOLT	19		M18X85			
10	90101516040	BOLT	4		M16X40			
11	36660020000	MOTOR,OIL	1					
12	82456101000	NIPPLE,GREASE	2		A-PT1/8			

# AT-101-1 4204210003 UPPER

Pos No.	Parts No	Parts Name	Qty	Unit	Technical Data	Serial No (Start)	Serial No (End)
1	36024299510	CYLINDER ASSY	1				
2	80136350045	PIN,SPLIT	1		5X45		
3	90236402409	NUT,CASTLE	1		M24		
4	36024260020	PISTON	1				
5	91350207500	BEARING,PLAIN (WITH PACKINGX2)	1				
6	91002802000	O-RING	1		1B P20		
7	36024299520	ROD ASSY	1				
8	36024269530	COVER,ROD	1				
9	80612110400	RING,RITAINING	1		AR40		
10	91002907000	O-RING	1		1B G70		
11	80801003525	BEARING,PLAIN	1				
12	91694003500	PACKING	1				
13	91410203501	RING,BACKUP	1				
14	91660003500	SEAL,DUST	1				
15	80622000350	RING,RITAINING	1		SP35		
16	80530000213	BEARING,SPHERICAL	1				
17	80801003030	BEARING,PLAIN	1				
18	80316030020	PLUG	2		PT1/8		
50	36024429900	PACKING SET	1		35X75		
100	36024290000	CYLINDER,LEVELING (SWING FRAME)	1				

# AT-101-1 42042100003 UPPER

Pos No.	Parts No	Parts Name	Qty	Unit	Technical Data	Serial No (Start)	Serial No (End)	Remark
1	36013700001	CYLINDER,TELESCOPING	1					
2	36620650000	VALVE,CHECK	1					
3	36603290000	VALVE,COUNTERBALANCE	1					
4	90131508090	BOLT,HEXAGON SOCKET	3		M8X90			

# AT-101-1 42042100003 UPPER

Pos No.	Parts No	Parts Name	Qty	Unit	Technical Data	Serial No (Start)	Serial No (End)	Remarks	Pages
100	42650450700	HARNESS	1						

# AT-101-1 42042100003 UPPER

Pos No.	Parts No	Parts Name	Qty	Unit	Technical Data	Serial No (Start)	Serial No (End)	Remarks	Pages
100	42350190100	HARNESS	1						

CLICK HERE TO **DOWNLOAD** THE COMPLETE MANUAL

- Thank you very much for reading the preview of the manual.
- You can download the complete manual from: [www.heydownloads.com](http://www.heydownloads.com) by clicking the link below



- Please note: If there is no response to CLICKING the link, please download this PDF first and then click on it.

CLICK HERE TO **DOWNLOAD** THE COMPLETE MANUAL

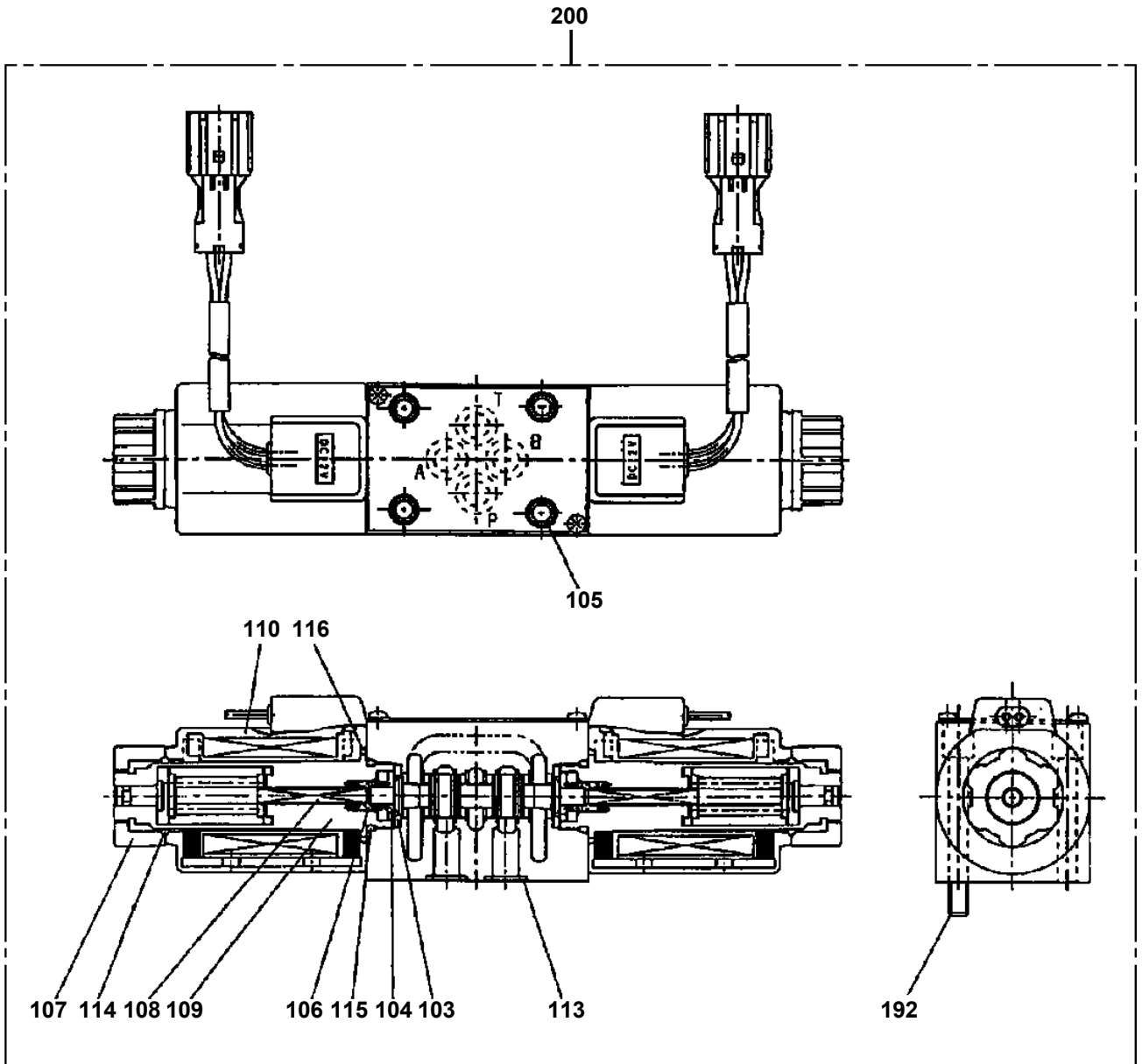
# AT-101-1 42042100003 UPPER

Pos No.	Parts No	Parts Name	Qty	Unit	Technical Data	Serial No (Start)	Serial No (End)	Remarks	Pages
100	42650450200	HARNESS	1						

# AT-101-1 42042100003 UPPER

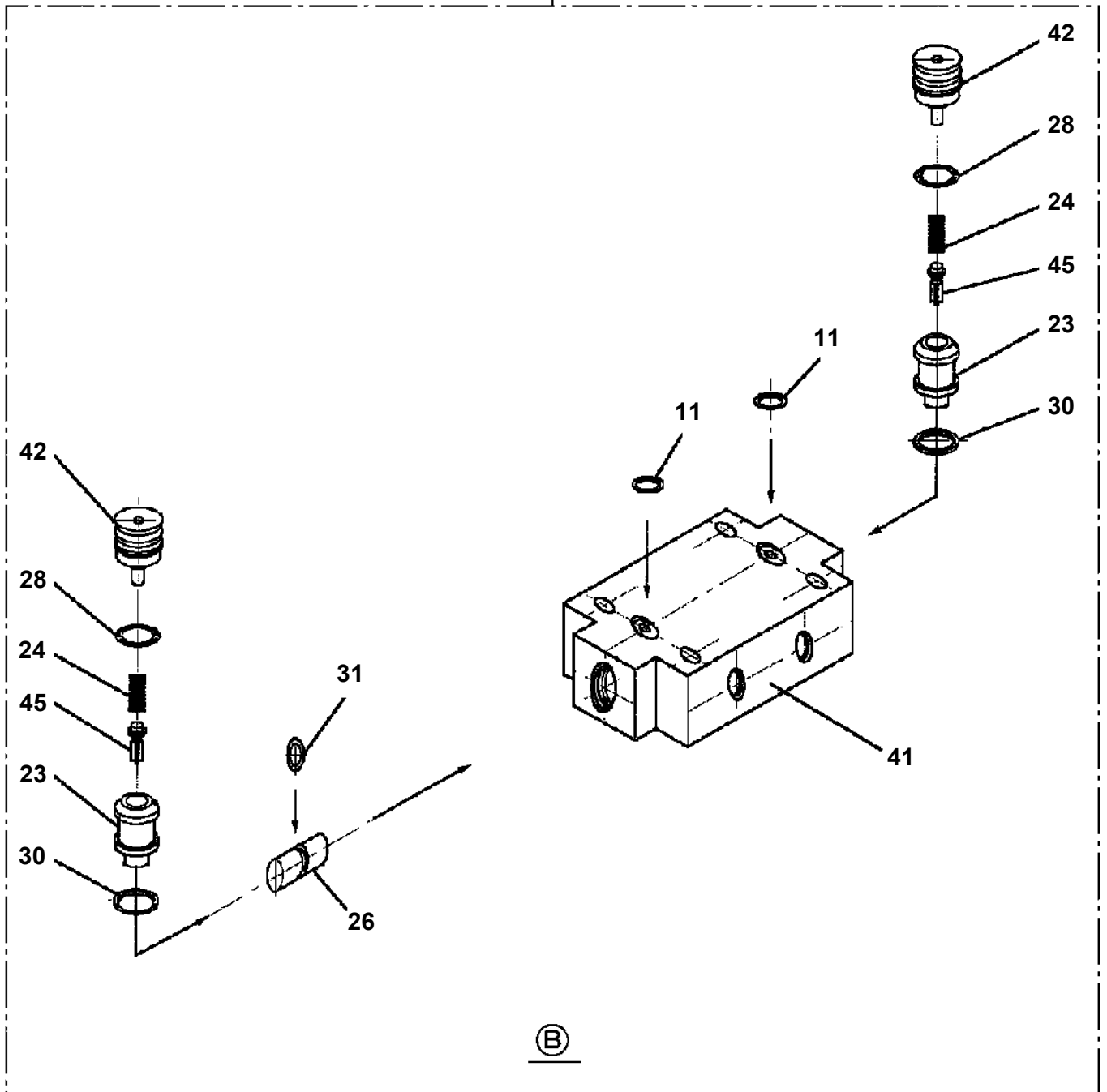
Pos No.	Parts No	Parts Name	Qty	Unit	Technical Data	Serial No (Start)	Serial No (End)	Remarks	Pages
100	42800040030	HARNESS	1						

**AT-101-1 42042100003 UPPER  
PI1120215-02 VALVE,SOLENOID**



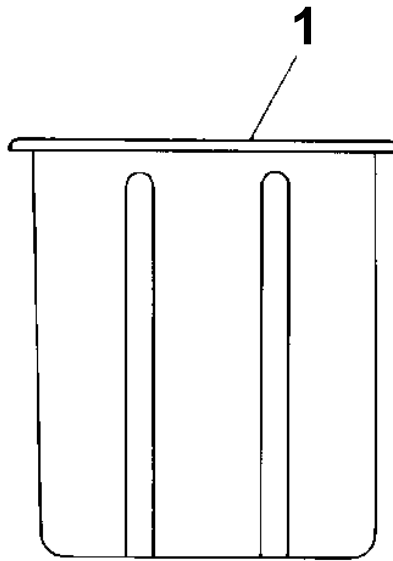
AT-101-1 42042100003 UPPER  
PI1140133-01 VALVE,CHECK

100

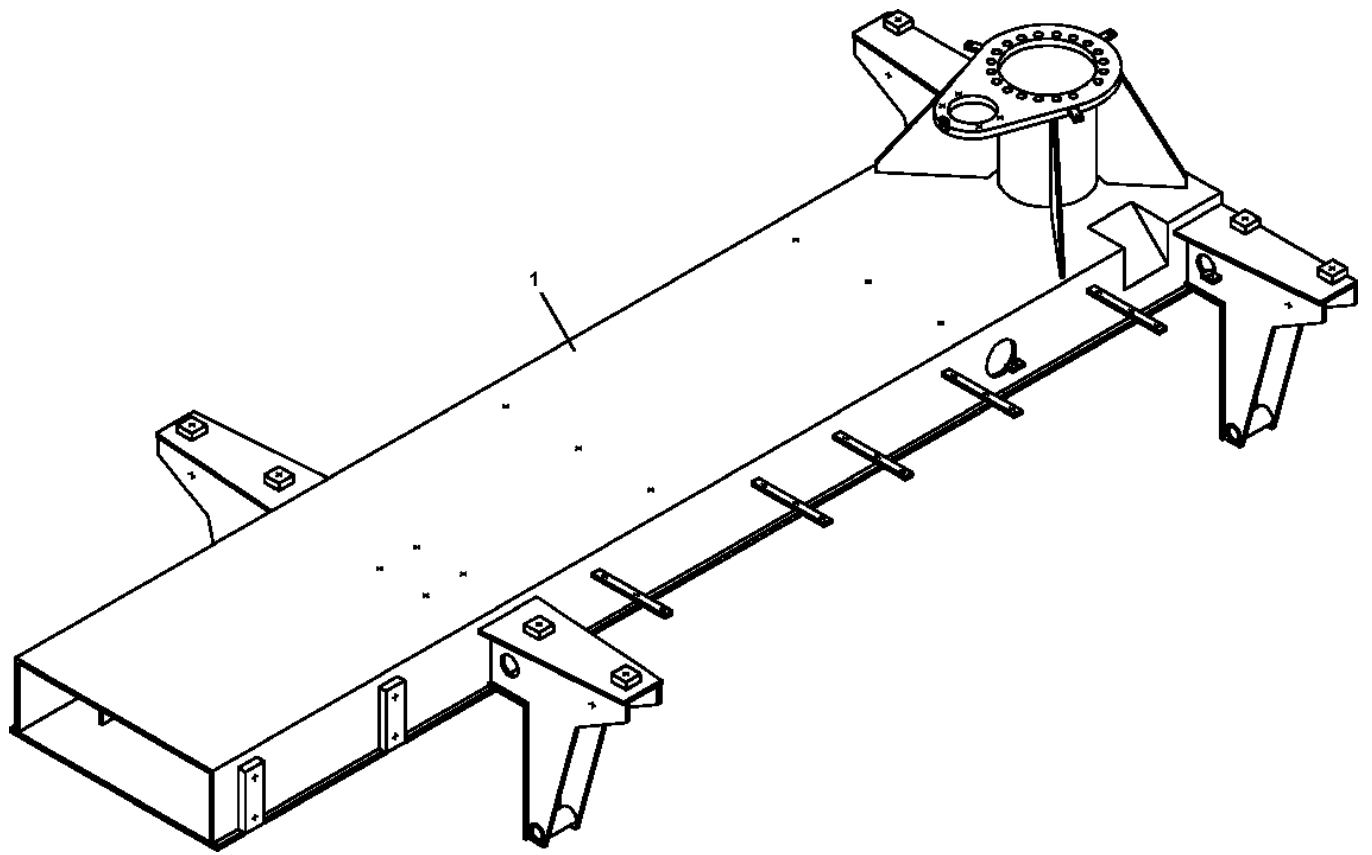


**AT-101-1 42042100003 UPPER**  
**PJ3010047-00 BUCKET (INNER CASE,OPTION)**

---

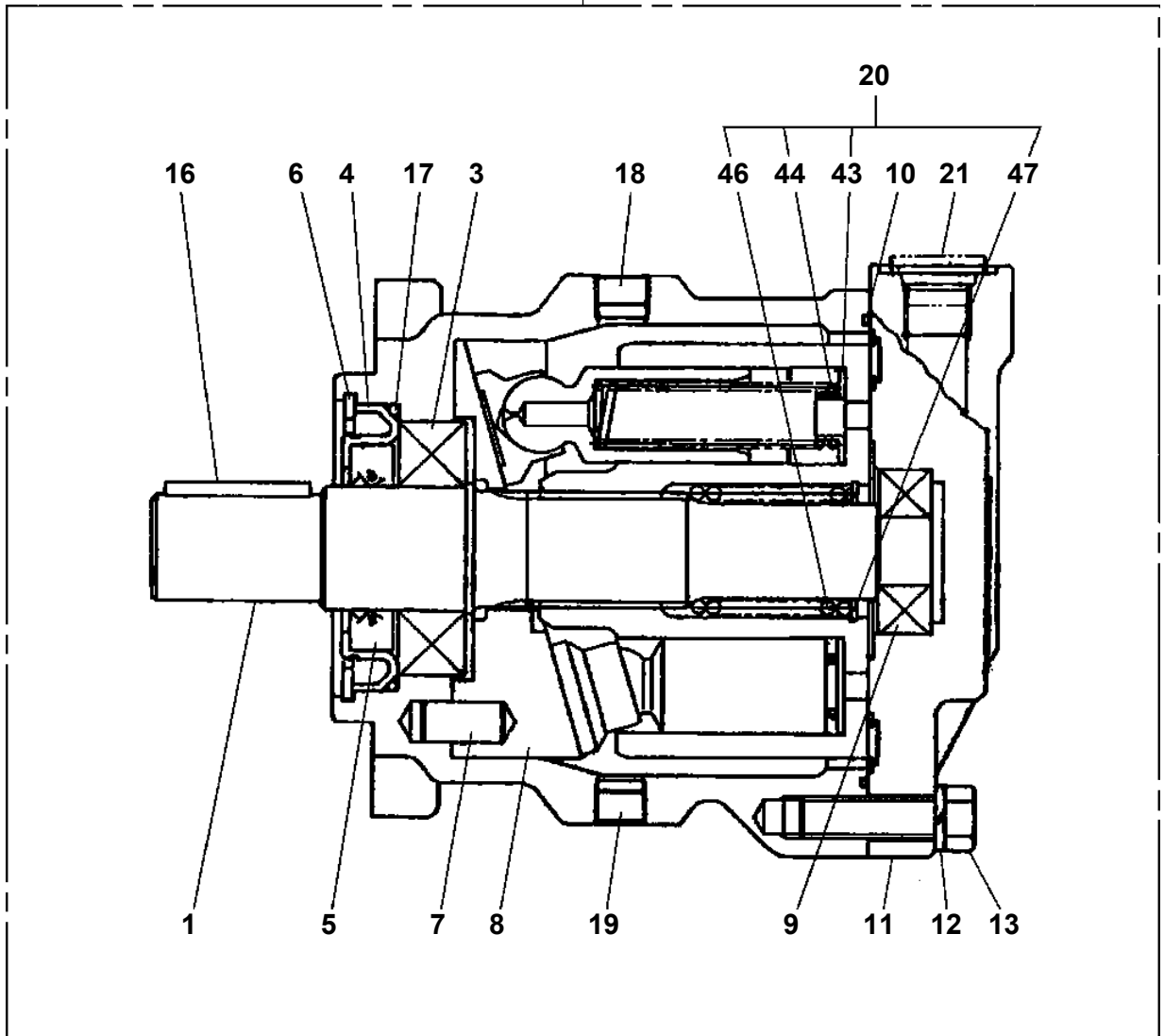


AT-101-1 42042100003 UPPER  
PK1010433-00 FRAME

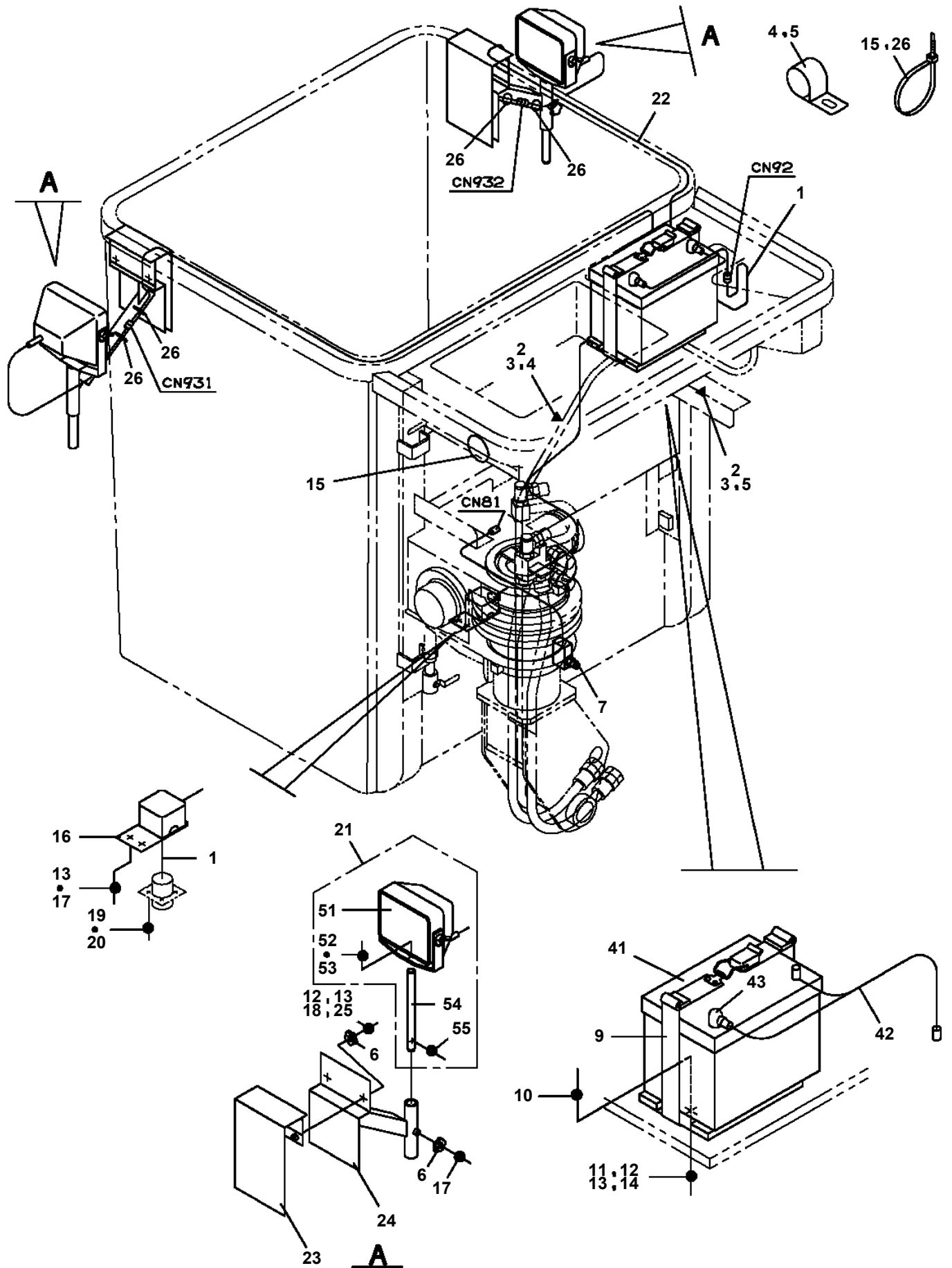


AT-101-1 42042100003 UPPER  
PM5230010-00 MOTOR,OIL

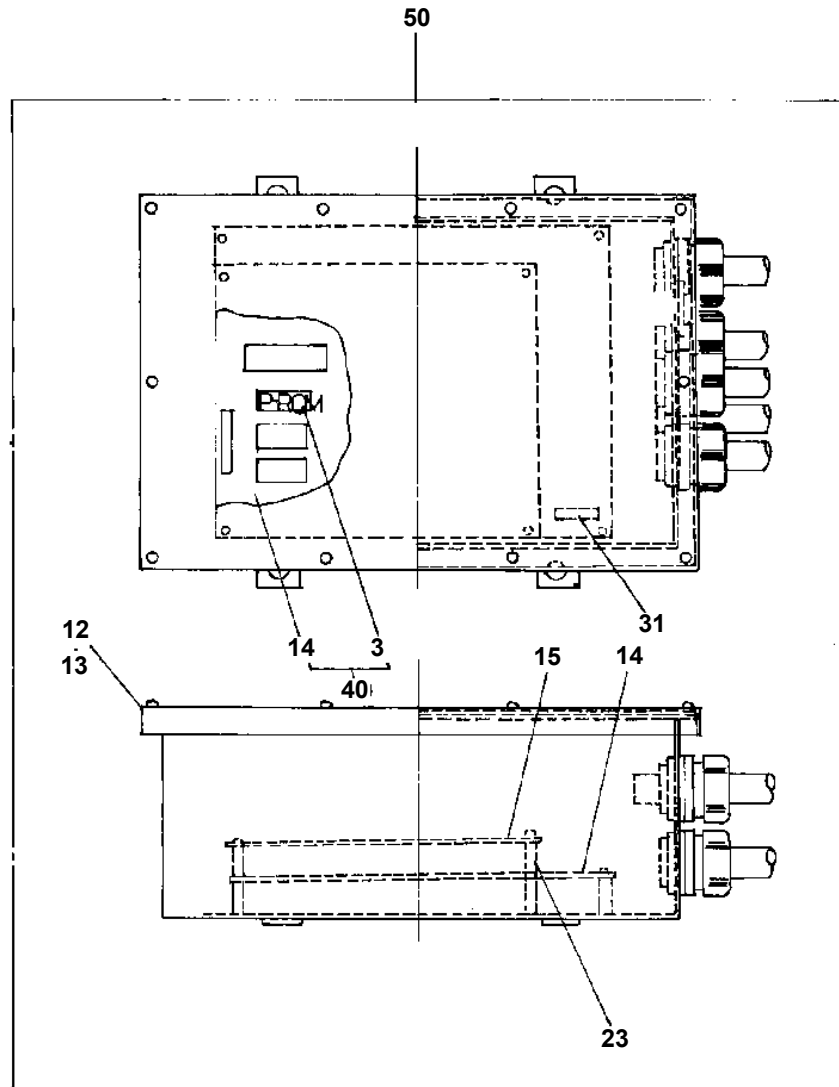
100



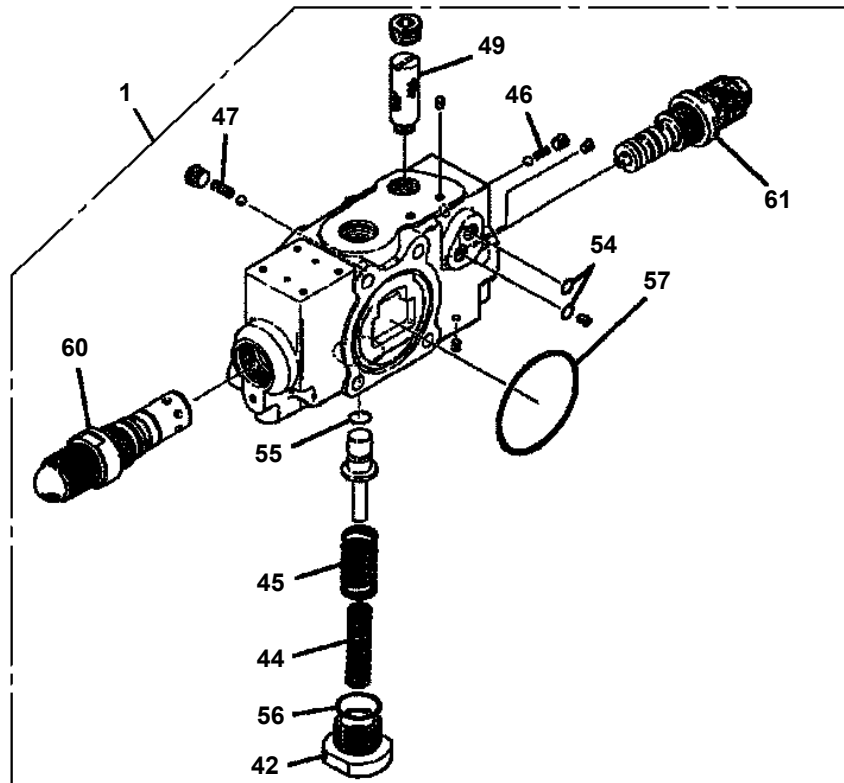
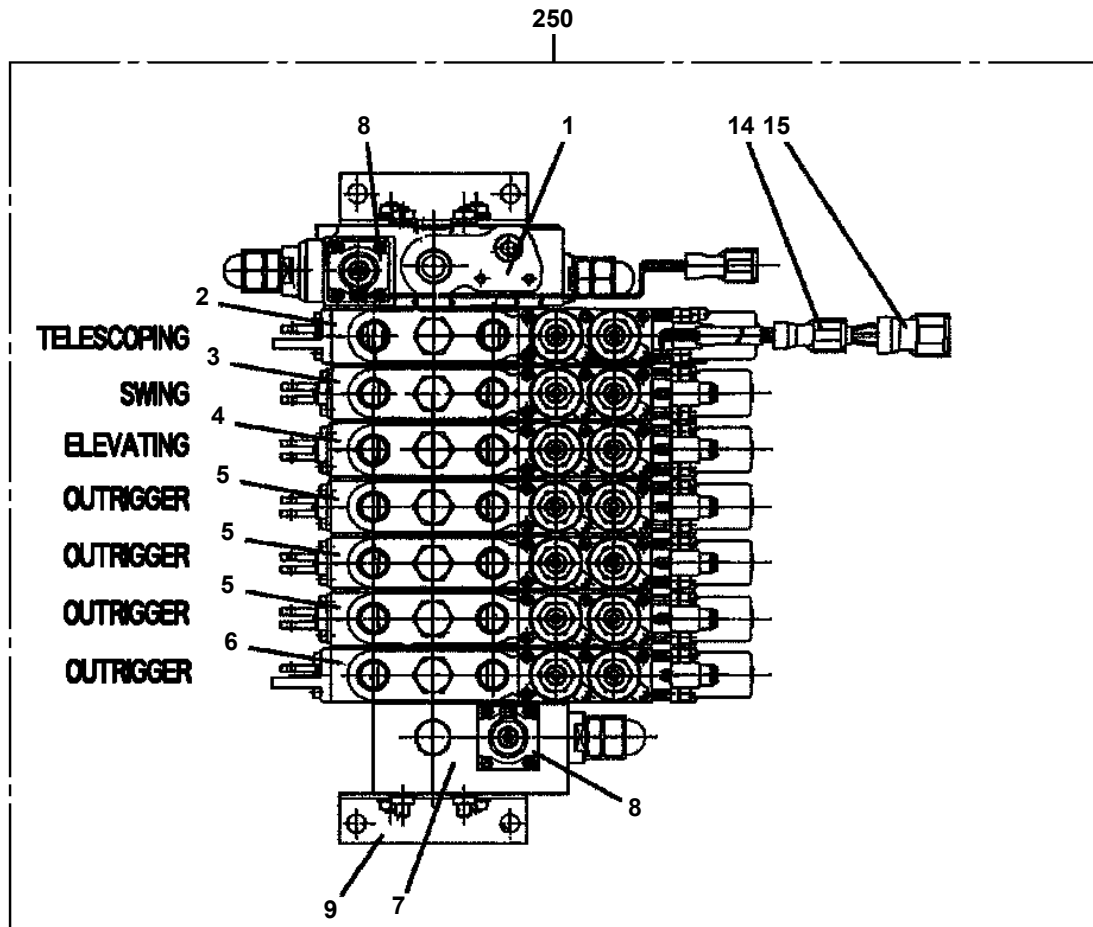
**AT-101-1 4204210003 UPPER  
PN1011709-01 ELEC.ASSY (BUCKET)**



AT-101-1 4204210003 UPPER  
PN1210002-00 TRANSMITTER, SIGNAL



AT-101-1 42042100003 UPPER  
 PV1020016-02 VALVE,REMOTE CONTROL(NACHI)



展開圖有

ILLUSTRATED BREAKDOWN NO.2,3,4,5,6,7,8,14,15,60,61

# AT-101-1 42042100003 UPPER

Pos No.	Parts No	Parts Name	Qty	Unit	Technical Data	Serial No (Start)	Serial No (End)
1	37004100030	PUMP,GREASE (240CC)	1				
3	42890034000	BLOCK,WOOD	4		W=350,H=80		
21	42460012530	WEDGE (STOPPER FOR TIRE/WAZUMI)	4				2502
	42460012540	WEDGE (STOPPER FOR TIRE/NAKAMURA KIKI)	4				2502
	42460012550	WEDGE (STOPPER FOR TIRE/JUSTIN)	4			250230	

# AT-101-1 42042100003 UPPER

Pos No.	Parts No	Parts Name	Qty	Unit	Technical Data	Serial No (Start)	Serial No (End)	Remarks
1	90101210030	BOLT	4		M10X30			
2	90302041001	WASHER,SPRING	4		10			
3	90303151001	WASHER,PLAIN	4		10			
4	42420055100	COVER (BOX ASSY,R/R)	1					
5	37000505680	PLATE	12		T=1			
11	42420057610	DOOR ASSY	2					
12	42420057620	DOOR ASSY	1					

CLICK HERE TO **DOWNLOAD** THE COMPLETE MANUAL

- Thank you very much for reading the preview of the manual.
- You can download the complete manual from: [www.heydownloads.com](http://www.heydownloads.com) by clicking the link below



- Please note: If there is no response to CLICKING the link, please download this PDF first and then click on it.

CLICK HERE TO **DOWNLOAD** THE COMPLETE MANUAL