

34090190203 3 BOOM 1M1D ,ATF60J-3

PK1000738-03 SYSTEM (FOR SUPERSTRUCTURE)

PO1000153-00 INDICATION PLATES

PW1000097-02 ACCESSORIES & TOOLS

PX1001243-02 SYSTEM (FOR CARRIER)

PY1001578-00 OPTIONS,1

PY2000212-01 OPTIONS,2

PY3000037-00 OPTION UNIT,3 (FOR SPECIFIC USERS)

ASSEMBLY

CLICK HERE TO **DOWNLOAD** THE COMPLETE MANUAL

- Thank you very much for reading the preview of the manual.
- You can download the complete manual from: www.heydownloads.com by clicking the link below



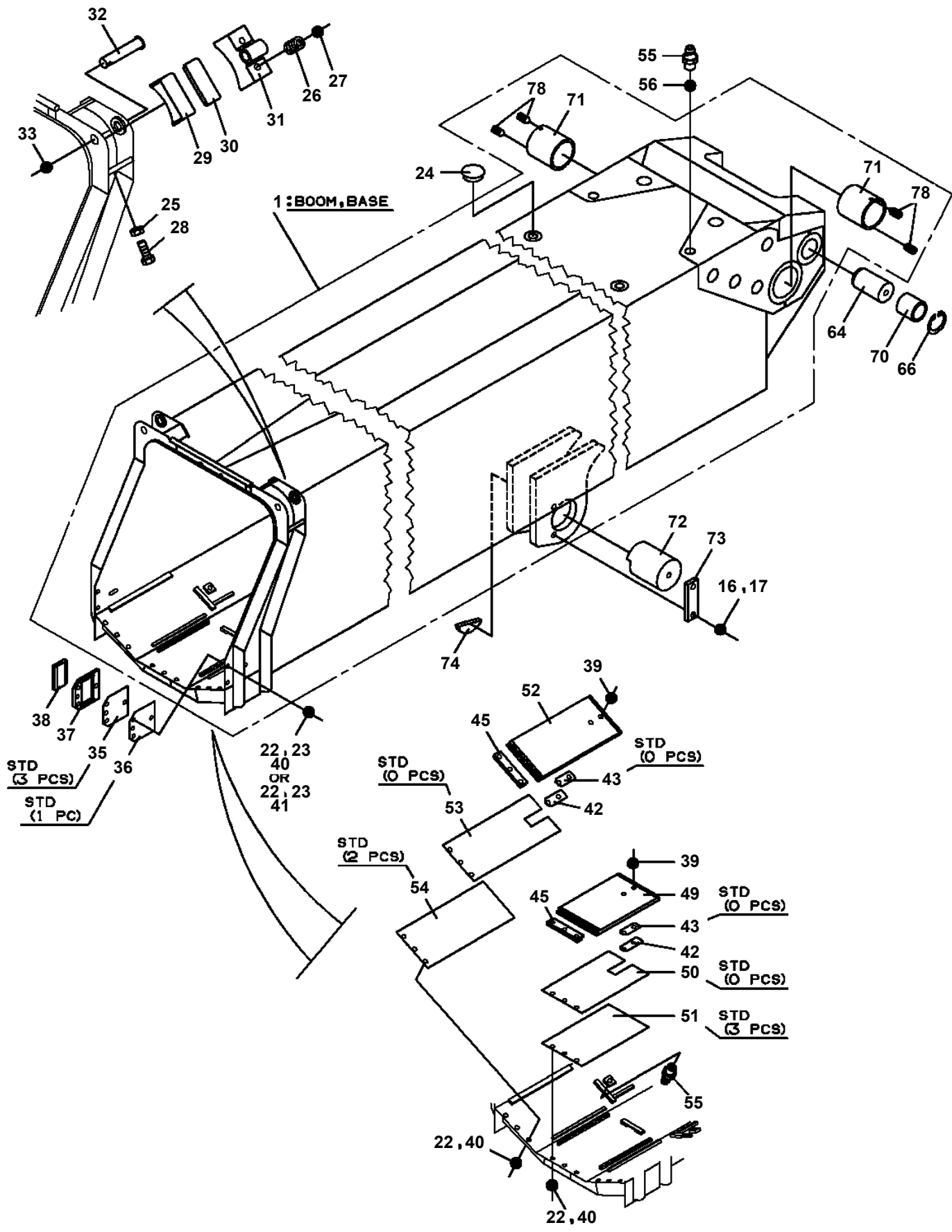
- Please note: If there is no response to CLICKING the link, please download this PDF first and then click on it.

CLICK HERE TO **DOWNLOAD** THE COMPLETE MANUAL

34090190203 3 BOOM 1M1D ,ATF60J-3

Pos No.	Parts No	Parts Name	Qty	Unit	Technical Data	Serial No (Start)	Serial N
1	(*****)	RADIO (CARRIER CAB)	1				
2	(*****)	ALARM SYSTEM (SWING)	1				
3	(*****)	SPEAKER	1				
4	(*****)	FAN	1				570099
5	(*****)	VIEW SYSTEM (BACK MONITOR)	1				
6	(*****)	COVER,SWING FRAME (REAR)	1				
8	(*****)	ACCESSORIES ASSY (LIFTING DEVICE)	1				
11	(*****)	NAME PLATE ASSY	1				
12	99707030171	ROPE,WIRE (16X70M)	1				
13	(*****)	MODIFICATION ASSY (SWITCH,AUX. WINCH)	1				
15	(*****)	WINCH ASSY (AUX./MOUNT)	1				
16	(*****)	SINGLE TOP ASSY (AUX. WINCH)	1				
17	36095520000	HOOK (4.5T)	1				
18	(*****)	MODIFICATION ASSY (LYNCHPIN TO B-PIN)	1				

**34090190203 3 BOOM 1M1D ,ATF60J-3
PB5190029-00 BOOM ASSY**



34090190203 3 BOOM 1M1D ,ATF60J-3

Pos No.	Parts No	Parts Name	Qty	Unit	Technical Data	Serial No (Start)	Serial No (End)	Remarks	Pages
21	99707006036	HOSE LINE	1						
22	99701186683	HOSE LINE	1		12X425				

34090190203 3 BOOM 1M1D ,ATF60J-3

Pos No.	Parts No	Parts Name	Qty	Unit	Technical Data	Serial No (Start)	Serial No (End)	Remarks	Pages
1	34271937100	COVER	1						
2	90101208020	BOLT	1		M8X20				
3	90303070801	WASHER,PLAIN	3		8				

34090190203 3 BOOM 1M1D ,ATF60J-3

Pos No.	Parts No	Parts Name	Qty	Unit	Technical Data	Serial No (Start)	Serial No (End)	Remark
1	80302090101	FITTING	1		KCO10-020N			
2	91002801100	O-RING	1		1B P11			
3	90172110035	BOLT,HEXAGON SOCKET	4		M10X35			
4	91810132530	FASTENER	3					
5	37000931620	JOINT	1					
6	91002802240	O-RING	1		1B P22.4			
21	99707019989	VALVE,COUNTERBALANCE	1					
22	99707706206	HOSE	1		L=1500			
23	99700727077	SPLIT FLANGE	2					
24	99700043149	O-RING	1					
25	99701637183	SCREWED SOCKET	2					
26	99707030518	HOSE	1					
27	99707018451	HOSE	1					
28	99703223109	MEASURING CONNECTION	1					
29	99707751270	HOSE	1					
30	99701651451	MEASURING CONNECTION	1		M16X2			
51	99701411987	SEALING RING	2					

34090190203 3 BOOM 1M1D ,ATF60J-3

Pos No.	Parts No	Parts Name	Qty	Unit	Technical Data	Serial No (Start)	Serial No (End)	Remarks	Pages
1	34762794100	SUPPORT	2						
2	90162240200	BOLT (U)	4						
3	90201200600	NUT	16		M6				

34090190203 3 BOOM 1M1D ,ATF60J-3

Pos No.	Parts No	Parts Name	Qty	Unit	Technical Data	Serial No (Start)	Serial No (End)	R
6	59457138000	PLUG ASSY	1					
7	37001602970	NUT	1					
8	90730008160	SCREW,SET	1		M8X16			
9	91302316000	BEARING,PLAIN	2					
10	91684016000	PACKING	2					
11	91431214501	RING,BACKUP	2					
12	36014224000	PISTON	1					
13	91002810500	O-RING	1		1B P105			
14	36018392000	ROD	1					
15	36018398810	CYLINDER	1					
16	91002815500	O-RING	1		1B P155			
17	36016205000	COVER,ROD	1					
18	36015220100	SUPPORT	1					
19	91251101320	RING,DAMPER	1					
20	91694013201	PACKING	1					
21	91430213201	RING,BACKUP	1					
22	16616016000	PLATE	1					
23	91301113200	BEARING,PLAIN	1					
24	91660013201	SEAL,DUST	1					
25	37000557950	PLATE	1					
26	19116004000	COVER	1					
28	36605480000	CARTRIDGE, COUNTERBALANCE	1					
29	90172110025	BOLT,HEXAGON SOCKET	4		M10X25			
30	90302041001	WASHER,SPRING	4		10			
31	91000526100	O-RING	1		AS568-261			
90	36016209900	PACKING SET	1		132X160			
100	36018390000	CYLINDER,TELESCOPING (NO.2)	1					

34090190203 3 BOOM 1M1D ,ATF60J-3

Pos No.	Parts No	Parts Name	Qty	Unit	Technical Data	Serial No (Start)
1	14128208000	RING	4			
2	34372682500	SWITCH,OVER WIND DETECTOR (JIB & SINGLETOP)	1			
3	37001905550	ROPE,WIRE	1		L=925	
4	33370085100	WEIGHT	1			
5	32370000070	SUPPORT	1			
6	37001905560	ROPE,WIRE	1			
7	82100002005	CLAMP	1		WRC8	
100	34500580100	WEIGHT	1			

34090190203 3 BOOM 1M1D ,ATF60J-3

Pos No.	Parts No	Parts Name	Qty	Unit	Technical Data	Serial No (Start)	Serial No (End)	Remarks	Page
1	34478897920	PLATE (P.W.B.)	1						
2	34478897930	COVER (REAR)	1						
5	42737327790	PLATE,NAME	1						
8	34478897940	COVER (FRONT)	1						
9	34478897950	PLATE (FRONT)	1						
11	34478897960	HOLDER (LENS)	1						
12	34478897970	SPACER	2						
13	34478897980	SPACER	2						
14	34478897990	GLASS (WINDOW)	1						
15	34478897515	FILTER (IR)	1						
16	34478897525	SEAL	1						
17	34478897535	BUSH (RUBBER)	2						
19	34478897545	SEAL	1						
21	34478897555	SPACER	1						
31	34478897565	LENS ASSY	1						
32	34478897575	MODULE (CAMERA)	1						
100	34478891001	CAMERA	1						

34090190203 3 BOOM 1M1D ,ATF60J-3

Pos No.	Parts No	Parts Name	Qty	Unit	Technical Data	Serial No (Start)	Serial No (End)	Rema
1	37001502650	BOLT	4					
2	36095770200	PLATE	1					
3	36095770300	PLATE	1					
4	37000103971	PIN	1					
5	37001007340	SHEAVE ASSY	6					
6	37001004750	SHEAVE ASSY (IMONO)	2					
7	16611505000	PLATE	2					
8	90101516040	BOLT	4		M16X40			
9	90101520035	BOLT	4		M20X35			
10	37000300080	SPACER	7		L=1.6			
11	37000303860	SPACER	4		L=310			
12	16311007000	SPACER	4		L=3.5			
13	37000523520	PLATE	2					
14	37000523510	PLATE	2					
16	80500051322	BEARING,BALL	1					
17	36091160400	TRUNNION	1					
18	36095770100	PLATE	2					
19	37000105210	PIN	2					
20	90303071201	WASHER,PLAIN	2		12			
21	80136332020	PIN,SPLIT	2		3.2X20			
22	37001400050	SPRING	2					
25	82459103000	NIPPLE,GREASE	1		C-PT1/8			
26	18119605000	PIN	1					
28	90171220100	BOLT	4		M20X100			
29	90302042001	WASHER,SPRING	4		20			
30	37000301110	SPACER	8		L=55			
31	90201202000	NUT	8		M20			
80	36095509510	HOOK ASSY	1					
90	36095049510	STOPPER ASSY	2					
100	36095770000	HOOK ASSY (SHEAVE 8 PC'S)	1					
112	80515006018	BEARING,BALL	12					
122	80612111250	RING,RITAINING	2		AR125			
123	80515006214	BEARING,BALL	4					

34090190203 3 BOOM 1M1D ,ATF60J-3

Pos No.	Parts No	Parts Name	Qty	Unit	Technical Data	Serial No (Start)	Serial No (End)	Re
1	80315020140	JOINT	1		STB3/4X1/2			
2	50855182000	SPRING	1					
3	36600690020	GUIDE	1					
4	80560071000	BALL,STEEL	1					
6	50855183000	SPRING	1					
8	80316030080	PLUG	1		PT1/2			
9	80316030060	PLUG	2		PT3/8			
20	36600690000	VALVE,PRESSURE REGULATOR	1					

34090190203 3 BOOM 1M1D ,ATF60J-3

Pos No.	Parts No	Parts Name	Qty	Unit	Technical Data	Serial No (Start)	Serial No (E
1	34431121101	HARNES	1				
2	82100002001	CLAMP	10		WR5		
3	34371661000	SWITCH ASSY	1				
4	90201200600	NUT	1		M6		
5	90302040601	WASHER,SPRING	1		6		
6	90303070601	WASHER,PLAIN	1		6		
7	90201201200	NUT	2		M12		
8	90280200600	NUT,FLANGE	10		M6		
31	34371661101	SWITCH,OVER WIND DETECTOR (BOOM)	1				
32	14128208000	RING	2				
33	37001907530	ROPE,WIRE	1		L=590		
34	32370000130	WEIGHT	1				
35	82100002005	CLAMP	1		WRC8		
43	90101208030	BOLT	2		M8X30		
44	90302040801	WASHER,SPRING	2		8		

34090190203 3 BOOM 1M1D ,ATF60J-3

Pos No.	Parts No	Parts Name	Qty	Unit	Technical Data	Serial No (Start)	Serial No (End)	Remarks	Pages
1	34271931100	SUPPORT	1						
2	34271931200	COVER	1						
3	34271931400	SUPPORT	1						
4	37000555760	SUPPORT	3						
5	37000525790	PLATE	2						
6	90101210025	BOLT	1		M10X25				
7	90101210016	BOLT	4		M10X16				
8	90201201000	NUT	1		M10				
9	90302041001	WASHER,SPRING	5		10				
10	90303071001	WASHER,PLAIN	6		10				
11	90186210016	BOLT,FLANGE	5		M10X16				
12	82420101613	TRIM	1	M					

34090190203 3 BOOM 1M1D ,ATF60J-3

Pos No.	Parts No	Parts Name	Qty	Unit	Technical Data	Serial No (Start)	Serial No (End)	Remarks	Pages
1	34322500100	SUPPORT	2						

CLICK HERE TO **DOWNLOAD** THE COMPLETE MANUAL

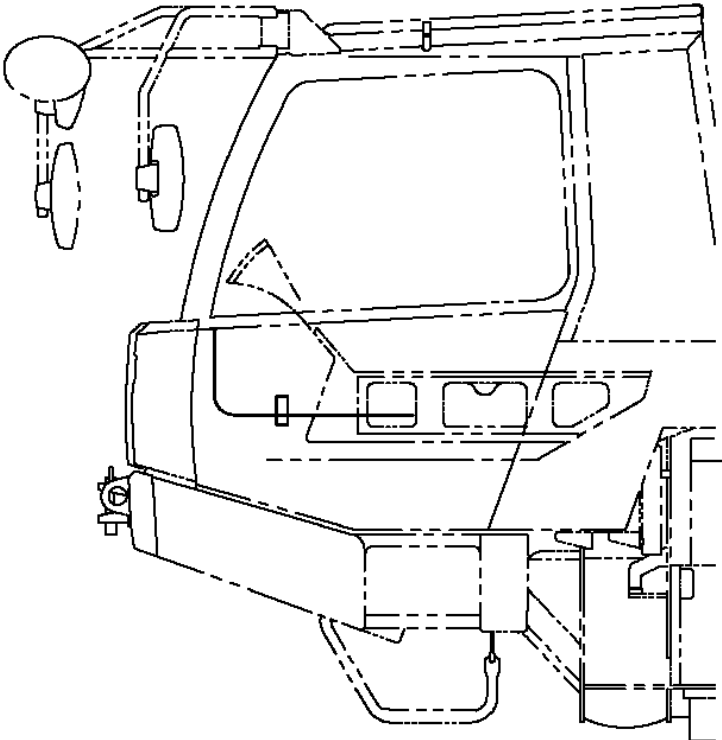
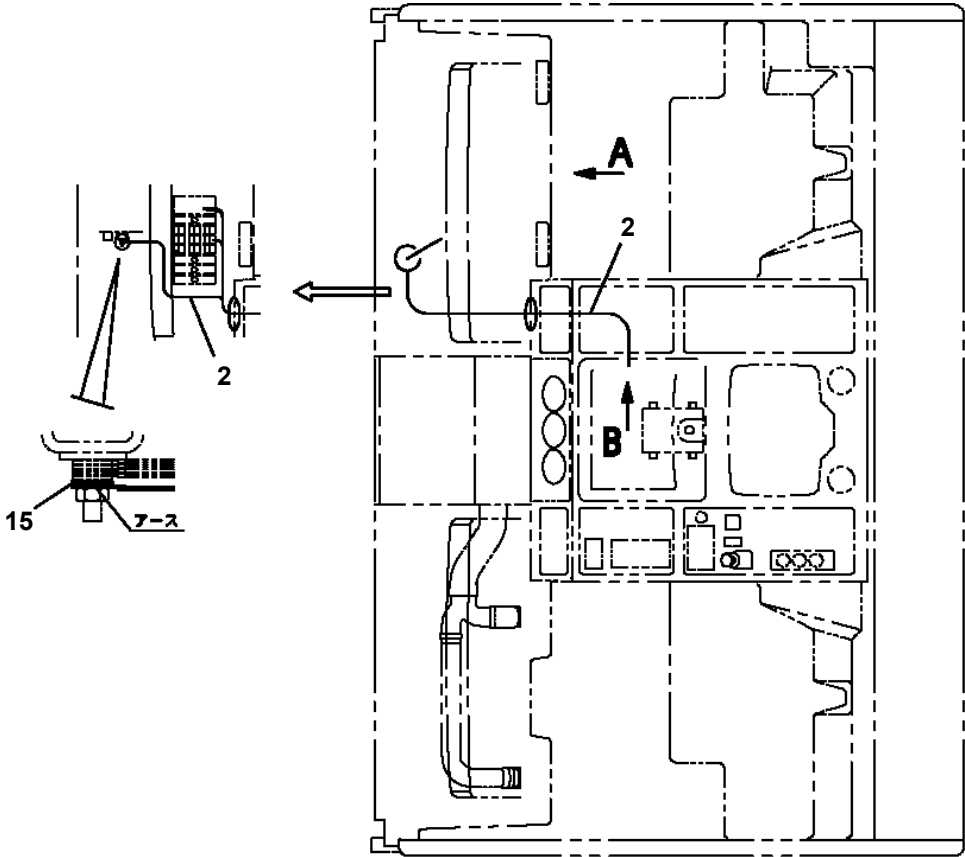
- Thank you very much for reading the preview of the manual.
- You can download the complete manual from: www.heydownloads.com by clicking the link below



- Please note: If there is no response to CLICKING the link, please download this PDF first and then click on it.

CLICK HERE TO **DOWNLOAD** THE COMPLETE MANUAL

34090190203 3 BOOM 1M1D ,ATF60J-3
PM5150027-01 MODIFICATION ASSY



34090190203 3 BOOM 1M1D ,ATF60J-3

Pos No.	Parts No	Parts Name	Qty	Unit	Technical Data	Serial No (Start)	Serial No (End)	Remarks	Pages
1	34763360100	SUPPORT	1						

34090190203 3 BOOM 1M1D ,ATF60J-3

Pos No.	Parts No	Parts Name	Qty	Unit	Technical Data	Serial No (Start)	Serial No (End)	Remarks
1	99707034837	INDICATOR LIGHT (LED)	2		24V, GREEN			

34090190203 3 BOOM 1M1D ,ATF60J-3

Pos No.	Parts No	Parts Name	Qty	Unit	Technical Data	Serial No (Start)	Serial No (End)	Remarks	Pages
1	34951992200	HARNESS	1						
2	91810130240	FASTENER	35						
3	90280200600	NUT,FLANGE	5		M6				
4	82100002010	CLAMP	5		WR15				
5	90190000008	BOLT,STUD	5		M6X20				
6	34951992600	HARNESS	1						
21	82182809623	DIODE	3						

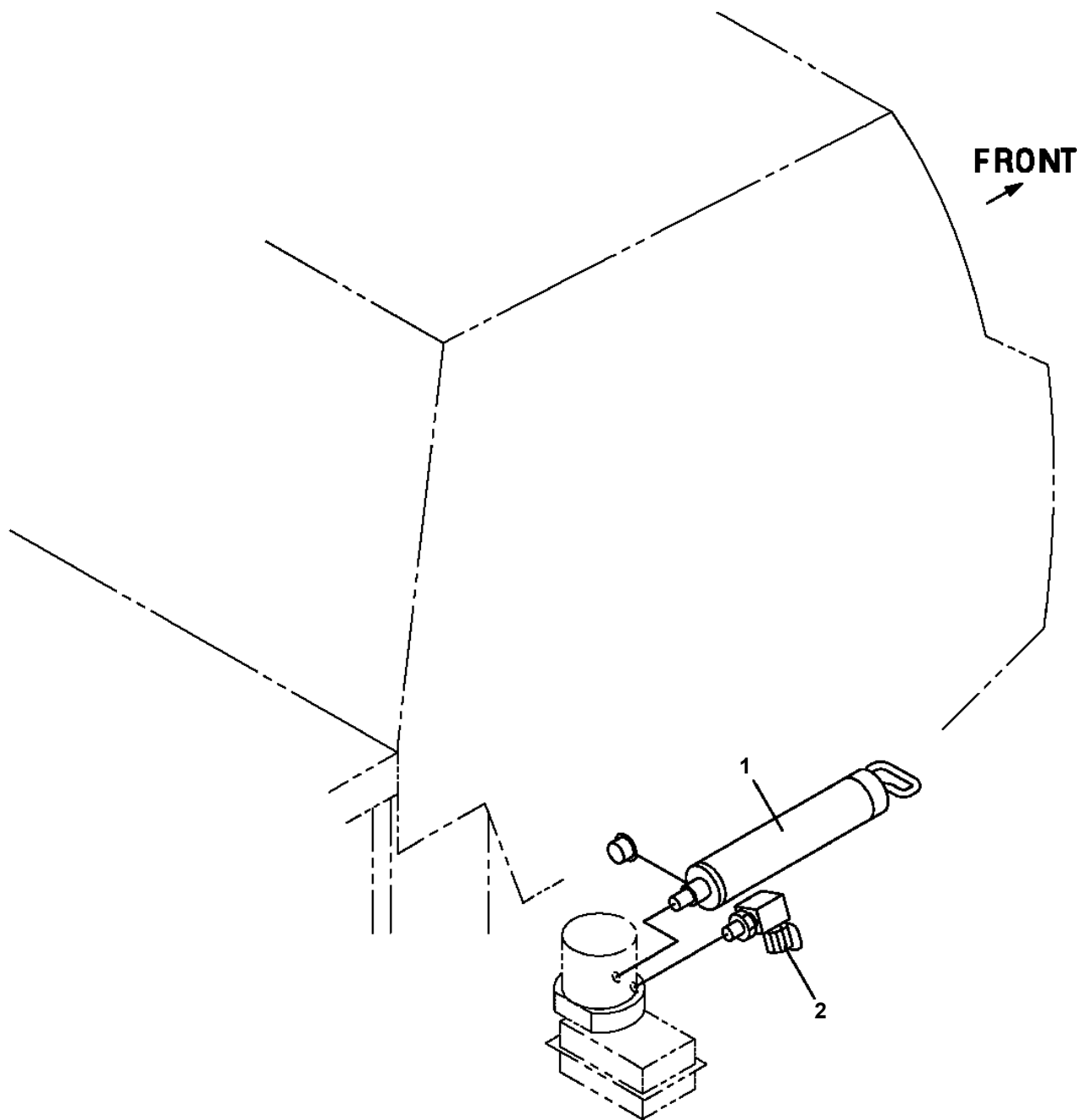
34090190203 3 BOOM 1M1D ,ATF60J-3

Pos No.	Parts No	Parts Name	Qty	Unit	Technical Data	Serial No (Start)	Serial No (End)	Remarks
1	36120555010	CASE ASSY	1					
3	36120555020	BOARD (WITHOUT P-ROM)	1					
5	36120555030	SCREW	9		M3X10			
12	(*****)	P-ROM	1					
100	36120550000	TRANSMITTER,SIGNAL	1					

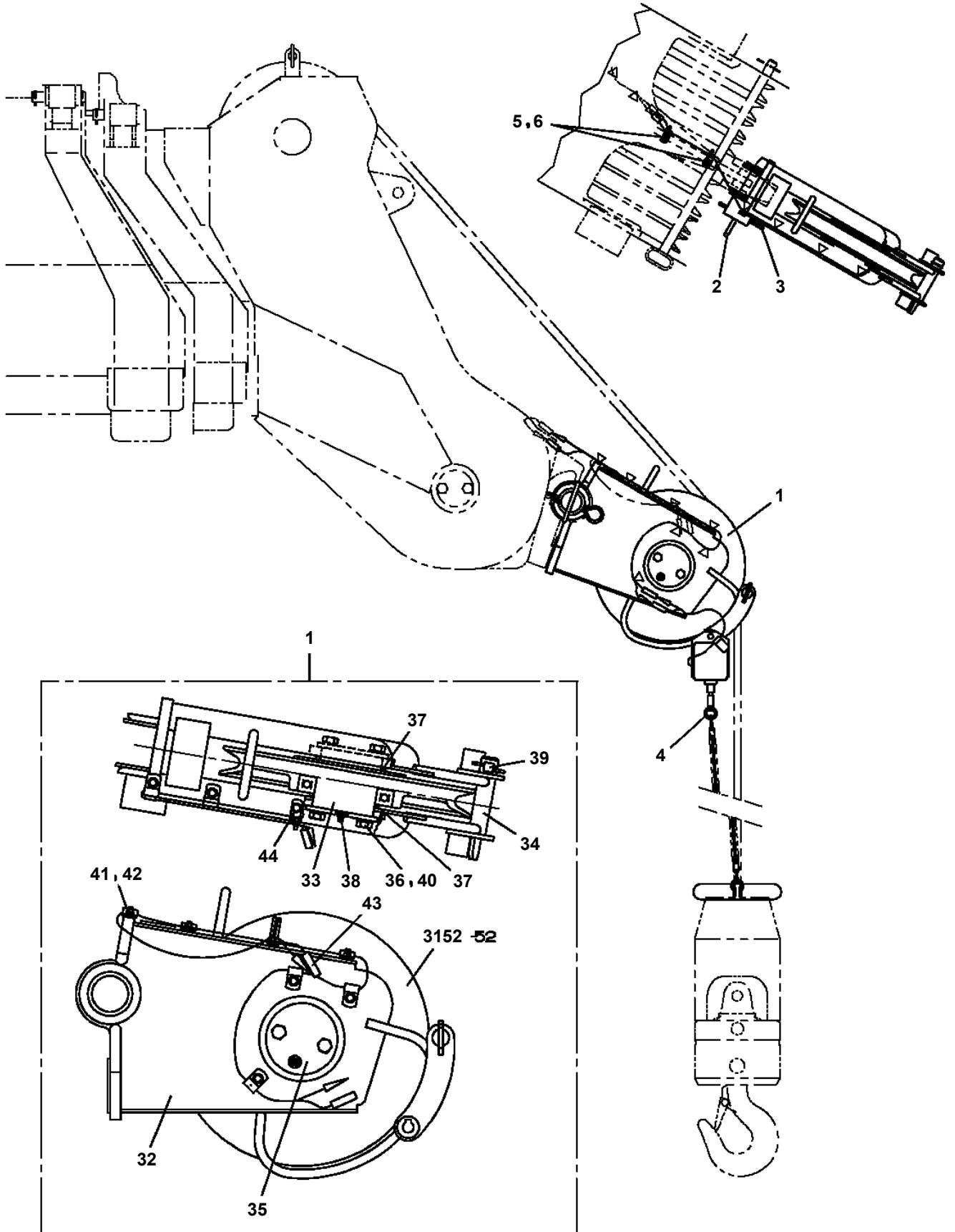
34090190203 3 BOOM 1M1D ,ATF60J-3

Pos No.	Parts No	Parts Name	Qty	Unit	Technical Data	Serial No (Start)	Serial No (End)
1	(*****)	PLATE,NAME (AML)	1				
2	34398411010	PLATE,NAME	1				
3	34397341091	PLATE,NAME	1				57009
	34398411040	PLATE,NAME	1			570100	
4	34398411030	PLATE,NAME	1				
5	16617002000	PLATE,NAME (35TON)	2				
6	33390881300	PLATE,NAME (60TON)	2				
7	37002213510	PLATE,NAME	1				57009
10	34397341020	PLATE,NAME (GA-600NR)	2				
11	37002217780	PLATE,NAME	3				
12	37002217380	PLATE,CAUTION	3				
13	37002219360	PLATE,NAME	1				
14	37002217310	PLATE,CAUTION	1				
16	80147310420	RIVET	4		3.2X6		
17	37002200010	PLATE,NAME (HORN)	2				
18	34396710230	PLATE,NAME	1				
19	34397341120	PLATE,NAME (CONTORL LEVER,L)	1				
20	34397341130	PLATE,NAME (CONTORL LEVER,R)	1				
21	37002219850	PLATE,CAUTION	1				
22	37002220410	PLATE,CAUTION	1				
23	37002220440	PLATE,CAUTION	1				
24	37002221060	PLATE,CAUTION	1				
25	(*****)	PLATE,NAME	1				
26	34396710260	PLATE,NAME	1				
27	34396710080	PLATE,NAME	1				
28	34398411500	LOAD CHART BOOKLET	1				
29	34398411020	PLATE,NAME	1				
32	12117140000	PLATE,NAME (GREASE)	15				
33	16268231000	LABEL (SWITCH,OVER WINDING)	1				
34	(*****)	PLATE,NAME (STD OPERATION MARK)	1				
35	(*****)	PLATE,NAME (LOW NOISE MARK)	1				
36	34397090170	PLATE,NAME (MARKING,YELLOW)	3				
37	34397090190	PLATE,NAME (MARKING,GREEN)	3				
38	34397120060	PLATE,NAME	4				
40	34397341030	PLATE,NAME (1:5T)	2				
41	34397341040	PLATE,NAME (2:5T)	2				
42	34397341050	PLATE,NAME (C/W 5T)	1				
43	34397341060	PLATE,NAME (C/W 10T)	1				
44	34397341070	PLATE,CAUTION (C/W CYLINDER FREE LOCK)	1				
45	34397341080	PLATE,NAME (FREE LOCK)	2				
46	34397341140	PLATE,CAUTION (BOOM 9.4M)	1				
47	37002233060	PLATE,CAUTION	1				
48	37002227450	PLATE,CAUTION	1				
49	34397341150	PLATE,CAUTION	1				
50	34397341160	PLATE,NAME	1				
51	42834433300	PLATE (NON-SLIP)	1				
52	34397341170	PLATE,CAUTION	1				
71	37002214470	PLATE,NAME (BLUE & BLACK)	2				
72	37002214490	PLATE,NAME (WHITE & WHITE)	2				
81	37002228430	PLATE,NAME (TADANO/BLUE+BLACK)	1				
82	37002228440	PLATE,NAME (TADANO/WHITE+WHITE)	1				

34090190203 3 BOOM 1M1D ,ATF60J-3
PP5450002-00 PUMP, GREASE



34090190203 3 BOOM 1M1D ,ATF60J-3
PS5220006-00 SINGLE TOP ASSY (AUX. WINCH)



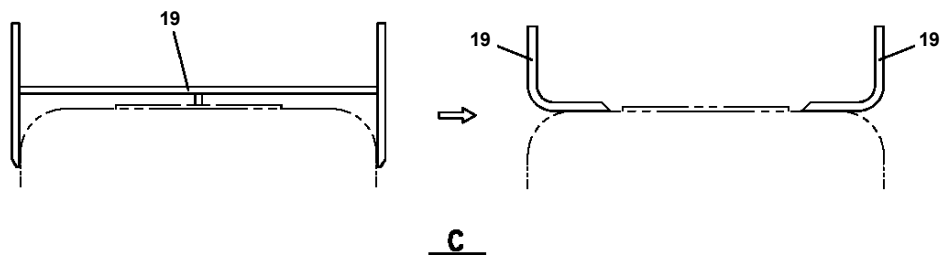
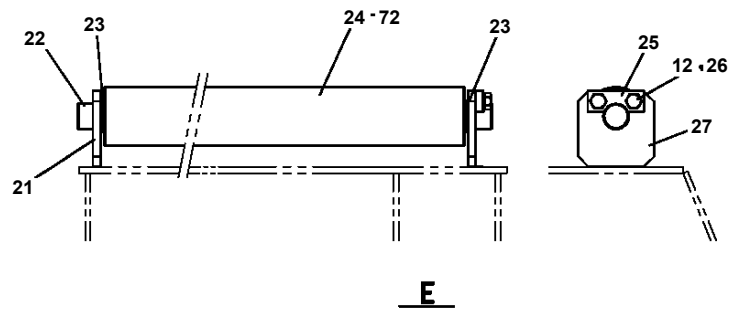
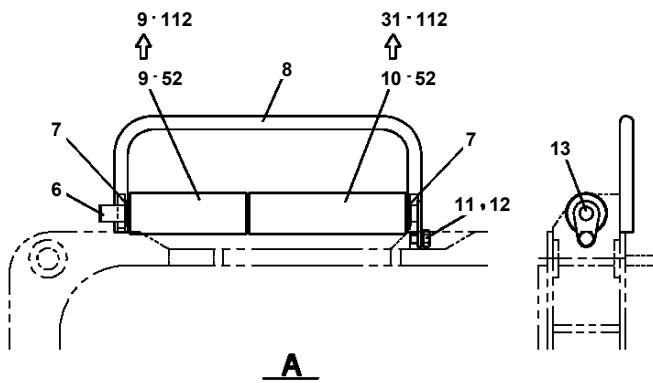
34090190203 3 BOOM 1M1D ,ATF60J-3

Pos No.	Parts No	Parts Name	Qty	Unit	Technical Data	Serial No (Start)	Serial No (End)	Rem
1	37004100140	PUMP,GREASE (TNF)	1					
2	37002403770	HOSE (GREASE)	1					
3	91991210250	WRENCH,MONKEY (250MM)	1					
4	91996100002	GAUGE,TIRE	1		TV8			
5	37002801080	GREASE	2		TNR,420ML			
6	37002801150	GREASE	2		NEW-SL PM-70#2			

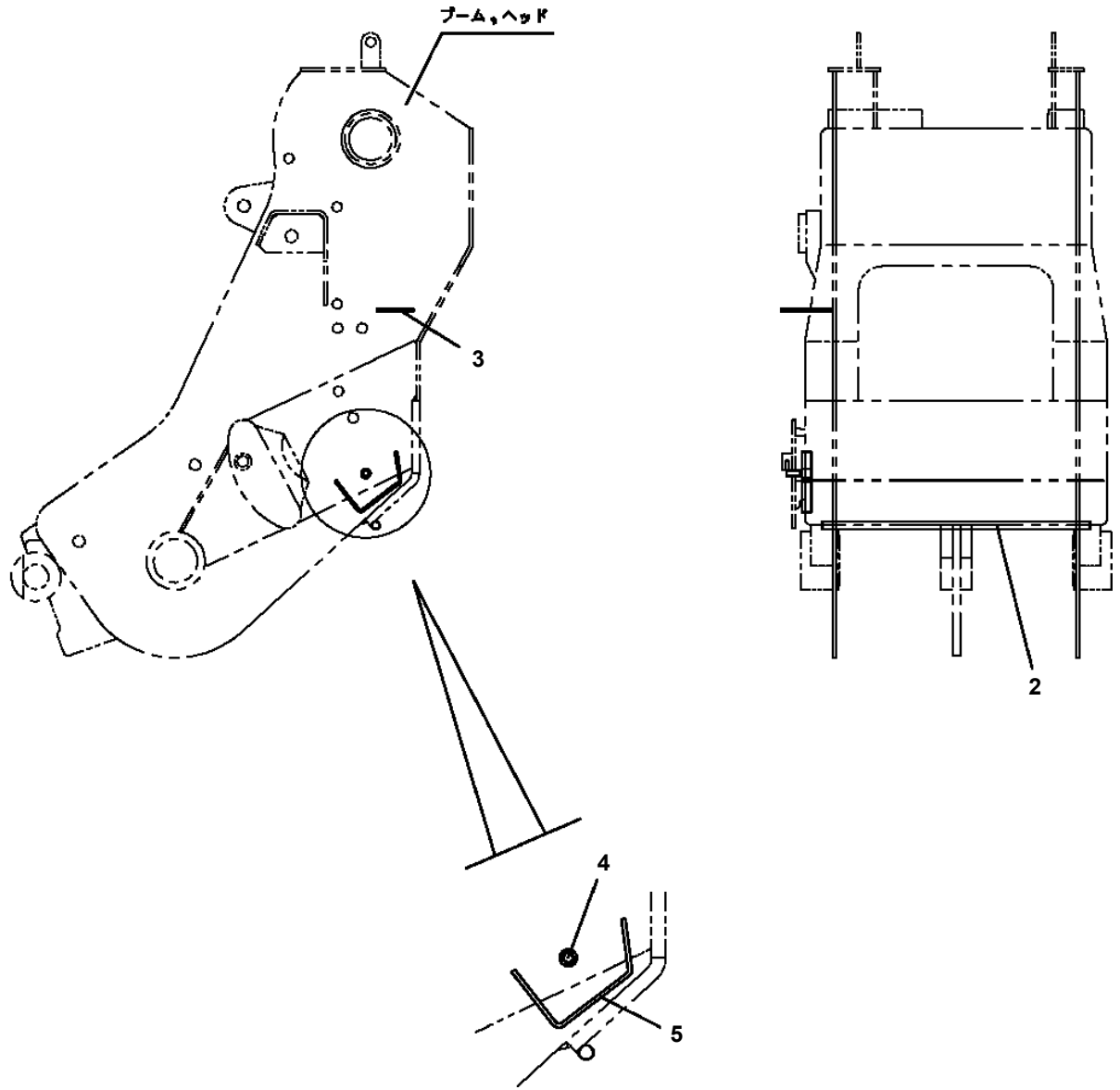
34090190203 3 BOOM 1M1D ,ATF60J-3

Pos No.	Parts No	Parts Name	Qty	Unit	Technical Data	Serial No (Start)	Serial No (End)	Remarks	Pages
1	34312162030	PLATE	2		T=9				
2	34271934020	RING	2						
3	37000700110	CLAMP ASSY	1						
6	90303070601	WASHER,PLAIN	10		6				
7	37010500170	PLATE	1		T=9				
8	37010500180	PLATE	1		T=9				
21	(*****)	WINCH ASSY	1						000114

**34090190203 3 BOOM 1M1D ,ATF60J-3
PX1940297-02 MOUNT (ROLLER, WIRE GUIDE SHAVE)**



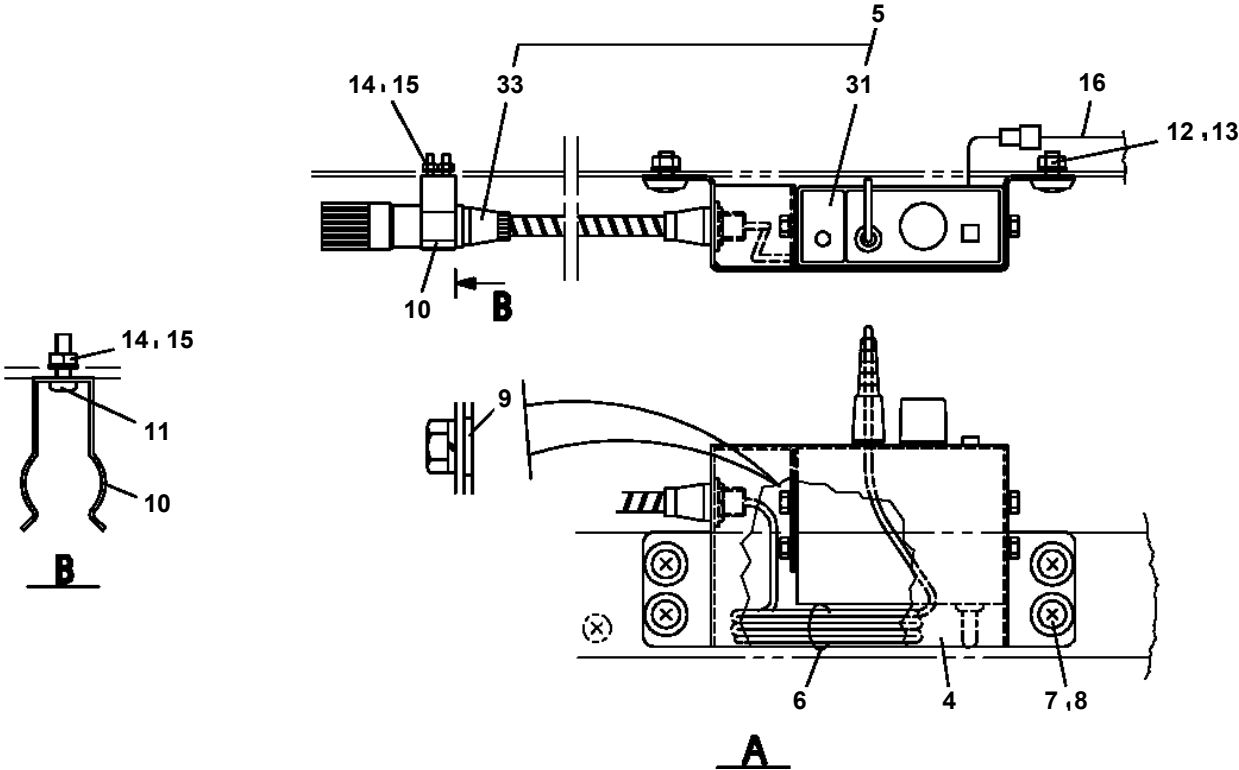
34090190203 3 BOOM 1M1D ,ATF60J-3
PX5010159-00 MOUNT ASSY (BOOM/HEAD,SUPPORT)



34090190203 3 BOOM 1M1D ,ATF60J-3

Pos No.	Parts No	Parts Name	Qty	Unit	Technical Data	Serial No (Start)	Ser
1	(*****)	MOUNT (ROLLER,WIRE GUIDE SHAVE)	1				
2	(*****)	MOUNT ASSY (BOOM/ELECTRIC)	1				
3	(*****)	MOUNT ASSY (BOOM/HOOK STOWING)	1				
5	(*****)	MOUNT (COVER FOR TELESCOPING CONT.VALVE)	1				
6	(*****)	MOUNT ASSY (BOOM/HEAD,SUPPORT)	1				

34090190203 3 BOOM 1M1D ,ATF60J-3
PY2220014-00 SPEAKER



CLICK HERE TO **DOWNLOAD** THE COMPLETE MANUAL

- Thank you very much for reading the preview of the manual.
- You can download the complete manual from: www.heydownloads.com by clicking the link below



- Please note: If there is no response to CLICKING the link, please download this PDF first and then click on it.

CLICK HERE TO **DOWNLOAD** THE COMPLETE MANUAL