

34090190102 3 BOOM 1M1D ,ATF60J-3

PK1000720-04 SYSTEM (FOR SUPERSTRUCTURE)

PO1000153-00 INDICATION PLATES

PW1000097-02 ACCESSORIES & TOOLS

PX1001190-00 SYSTEM (FOR CARRIER)

PY1001382-02 OPTIONS,1

PY2000212-01 OPTIONS,2

PY3000037-00 OPTION UNIT,3 (FOR SPECIFIC USERS)

ASSEMBLY

CLICK HERE TO **DOWNLOAD** THE COMPLETE MANUAL

- Thank you very much for reading the preview of the manual.
- You can download the complete manual from: www.heydownloads.com by clicking the link below



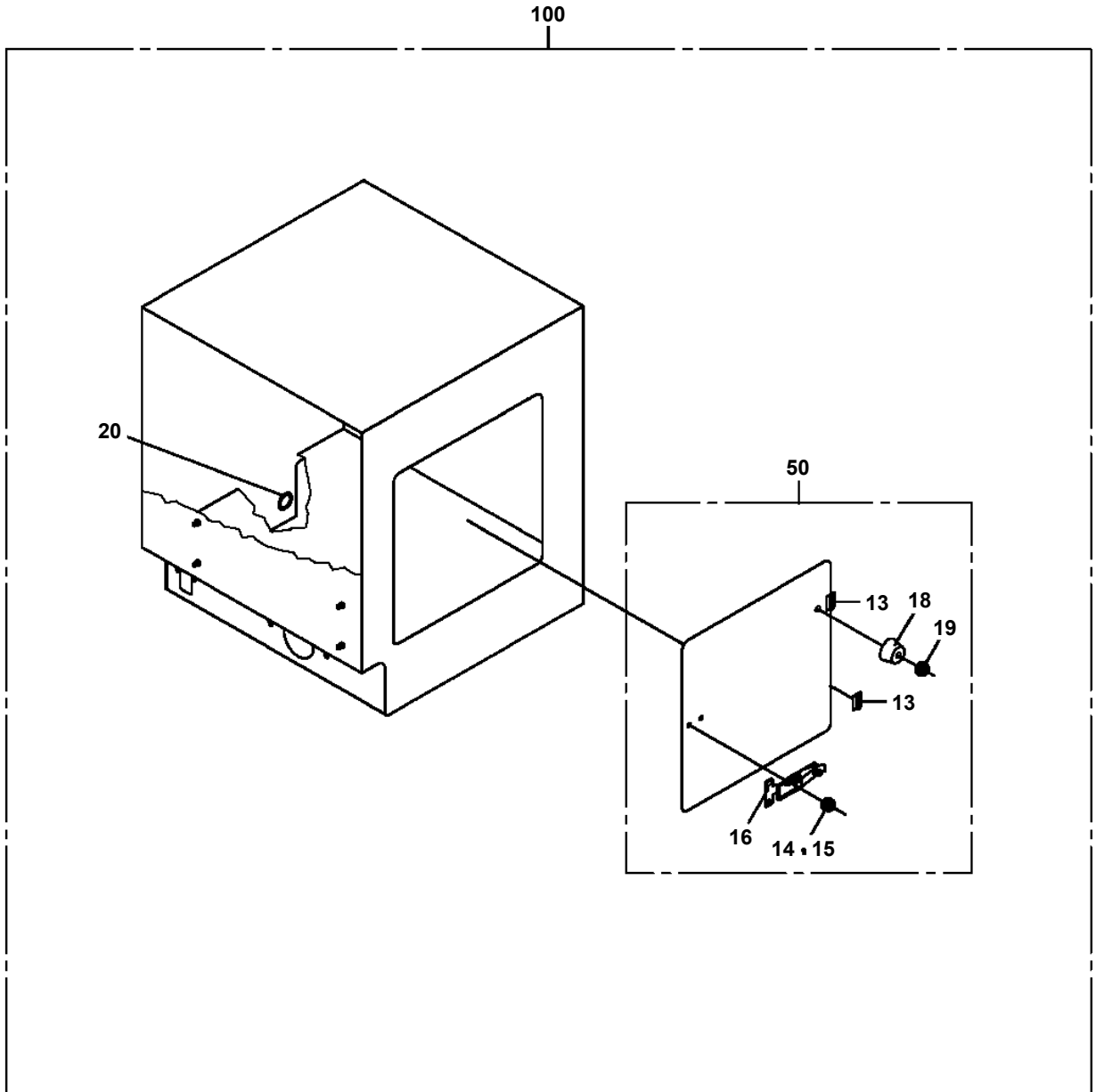
- Please note: If there is no response to CLICKING the link, please download this PDF first and then click on it.

CLICK HERE TO **DOWNLOAD** THE COMPLETE MANUAL

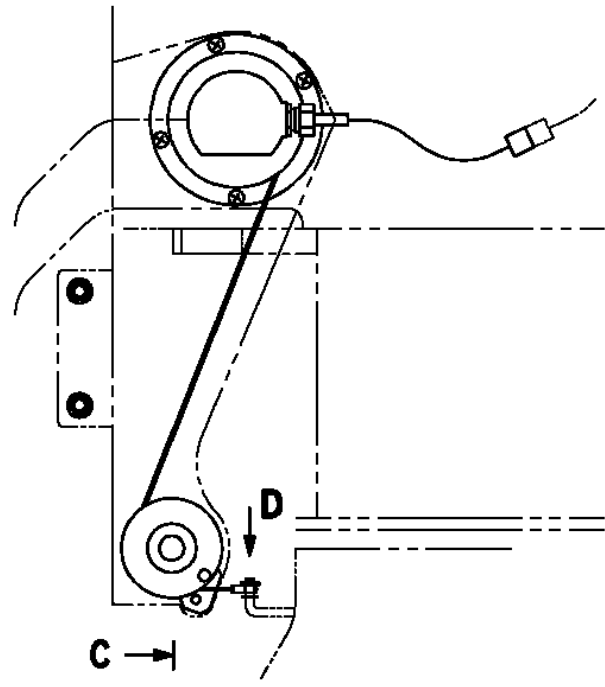
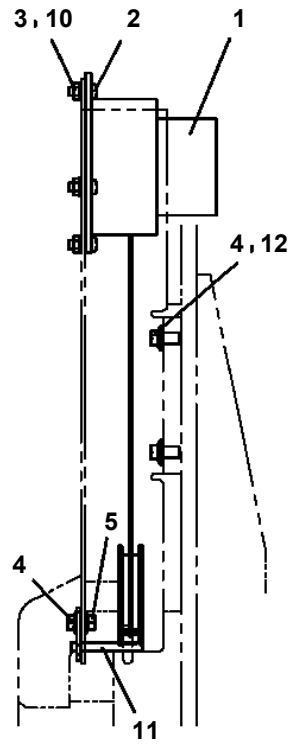
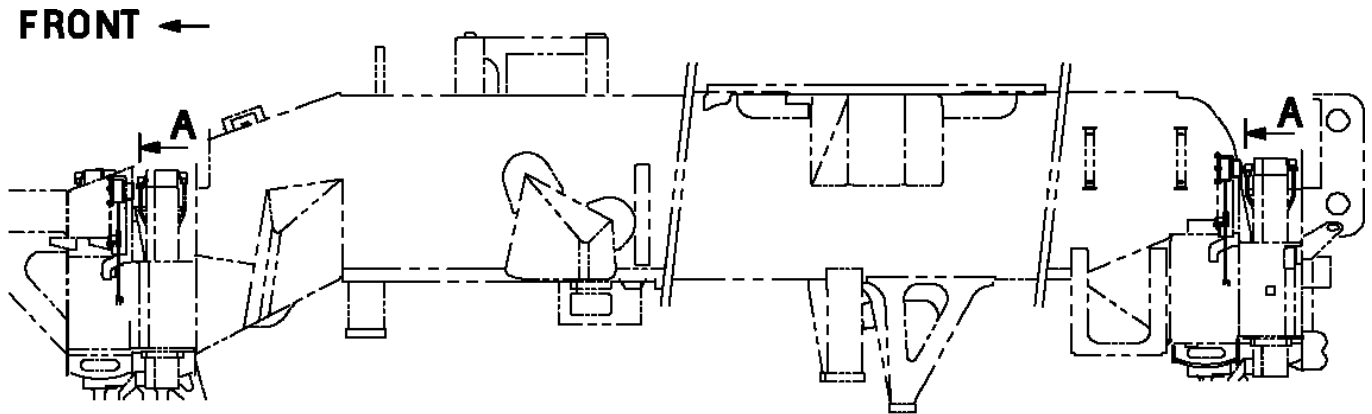
34090190102 3 BOOM 1M1D ,ATF60J-3

Pos No.	Parts No	Parts Name	Qty	Unit	Technical Data	Serial No (Start)	Serial N
1	(*****)	RADIO (CRANE CAB)	1				
2	(*****)	RADIO (CARRIER CAB)	1				
3	(*****)	ALARM SYSTEM (SWING)	1				
4	(*****)	SPEAKER	1				
5	(*****)	FAN	1				
6	(*****)	VIEW SYSTEM (BACK MONITOR)	1				
7	(*****)	COVER,SWING FRAME (REAR)	1				
8	(*****)	ELEC.ASSY (RADIO)	1				
9	(*****)	MODIFICATION ASSY	1				
11	(*****)	WINCH ASSY (AUX./MOUNT)	1				
12	(*****)	NAME PLATE ASSY (AUX.,WINCH)	1				
14	99707030171	ROPE,WIRE (16X70M)	1				
15	(*****)	MODIFICATION ASSY (SWITCH,AUX. WINCH)	1				

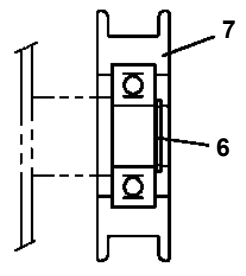
34090190102 3 BOOM 1M1D ,ATF60J-3
PB5410023-00 BOX,TOOL



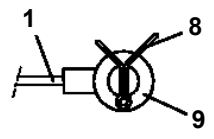
34090190102 3 BOOM 1M1D ,ATF60J-3
PC1370073-01 DETECTOR,OUTRIGGER LENGTH



A

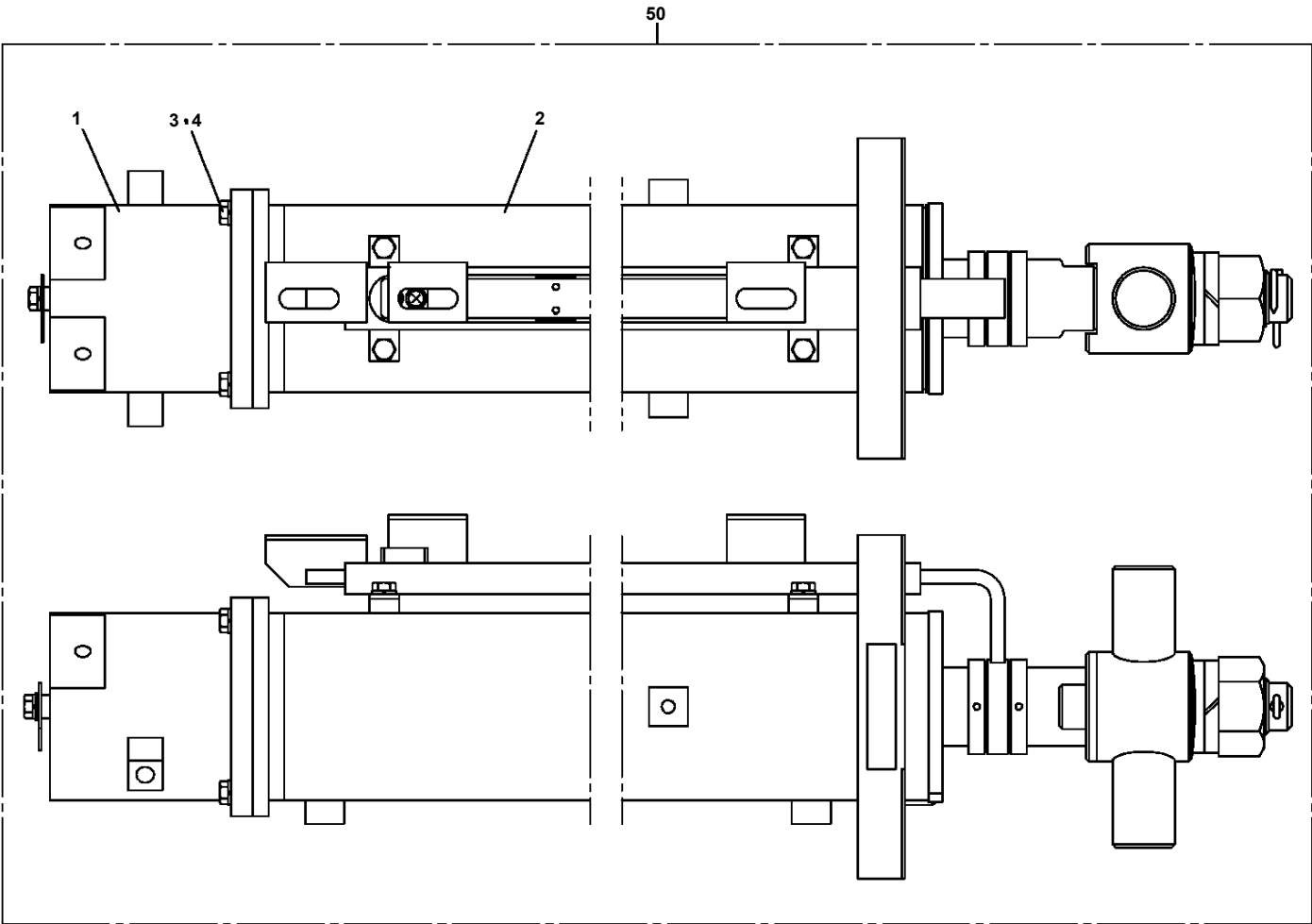


C

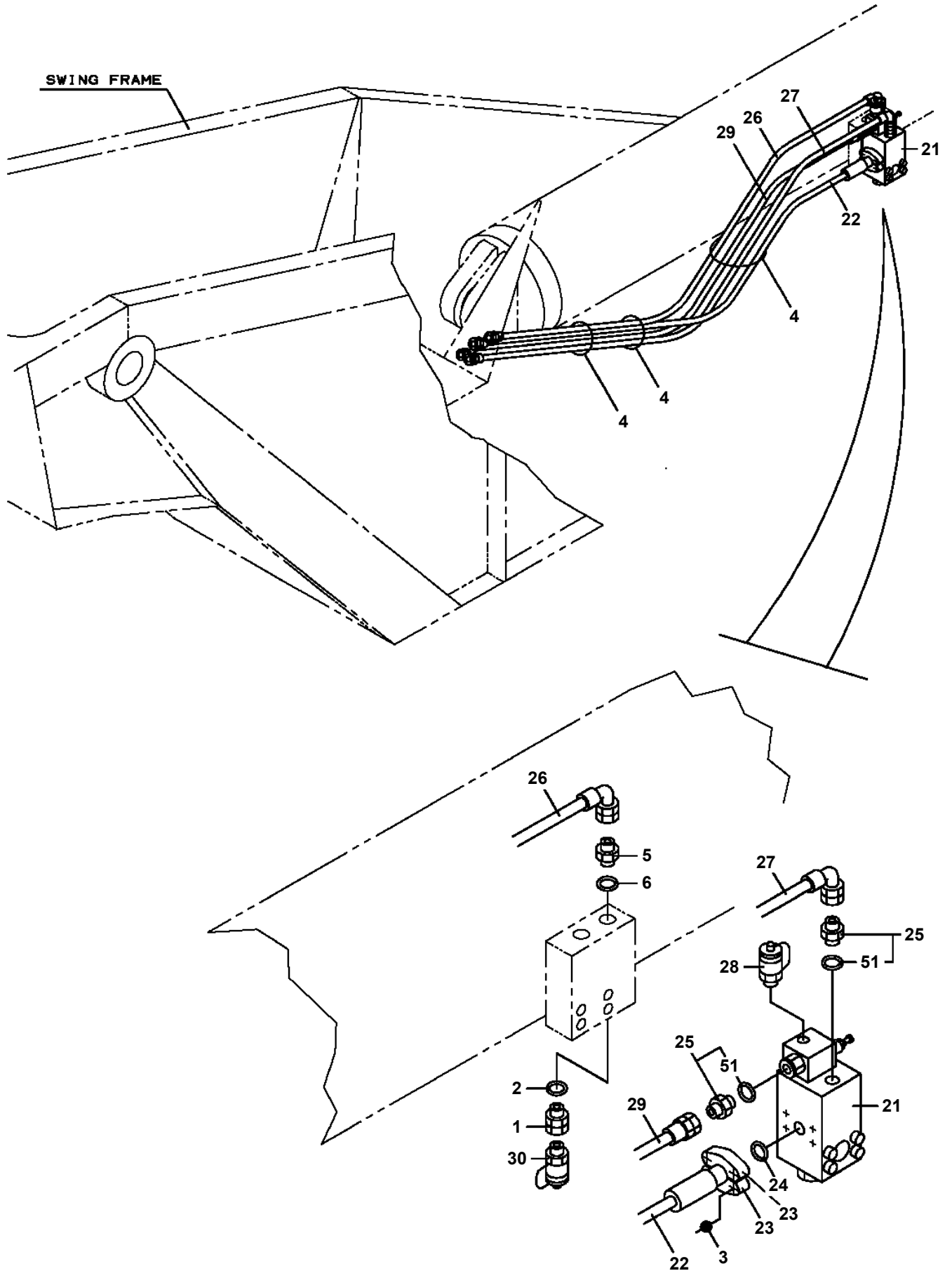


D

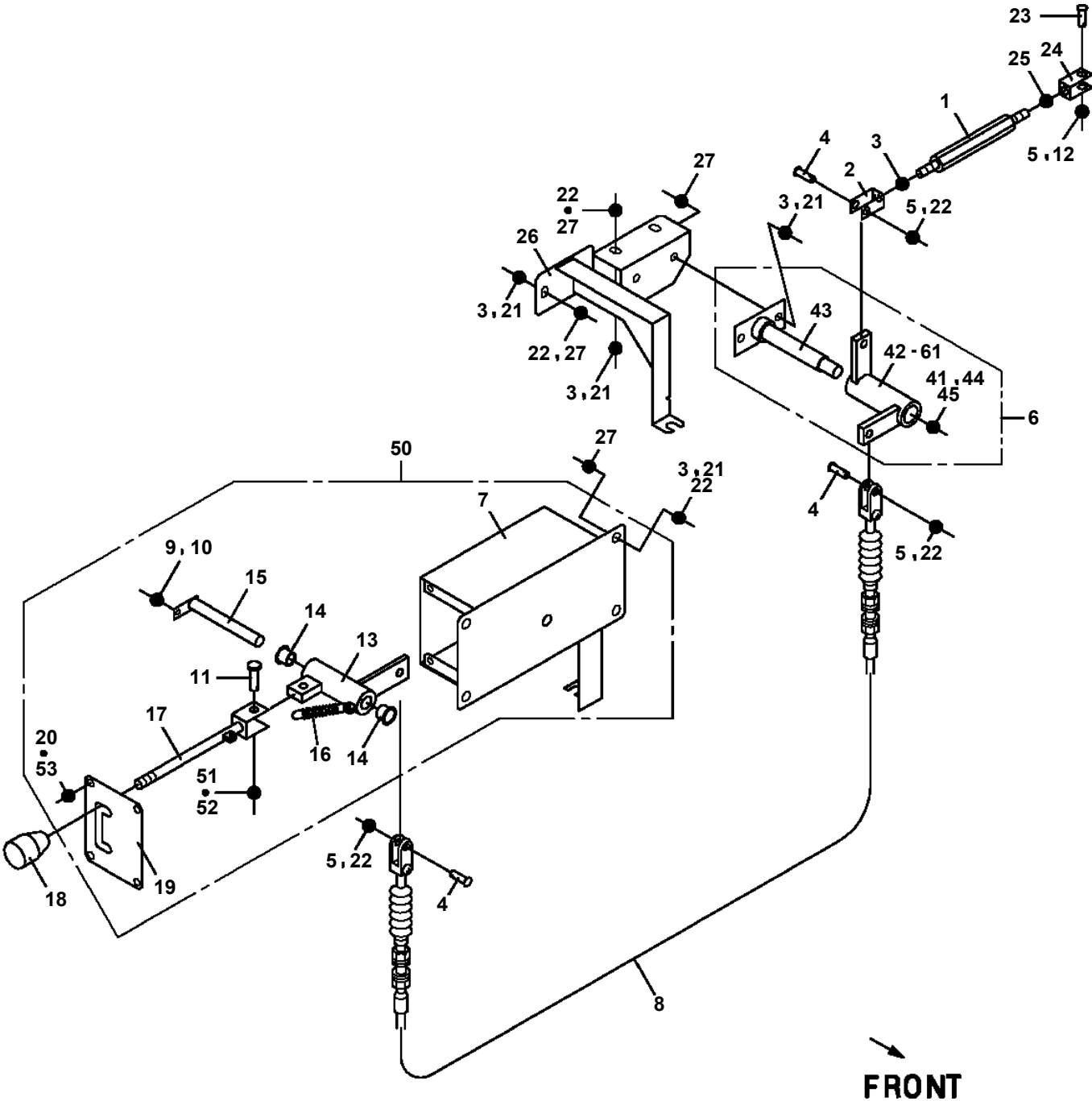
34090190102 3 BOOM 1M1D ,ATF60J-3
PC6330001-00 CYLINDER ASSY (WEIGHT REMOVER/WITH ROTATOR)



34090190102 3 BOOM 1M1D ,ATF60J-3
PE1200151-00 PIPING,ELEVATING



34090190102 3 BOOM 1M1D ,ATF60J-3
PF1160072-00 OPE.ASSY,CLUTCH



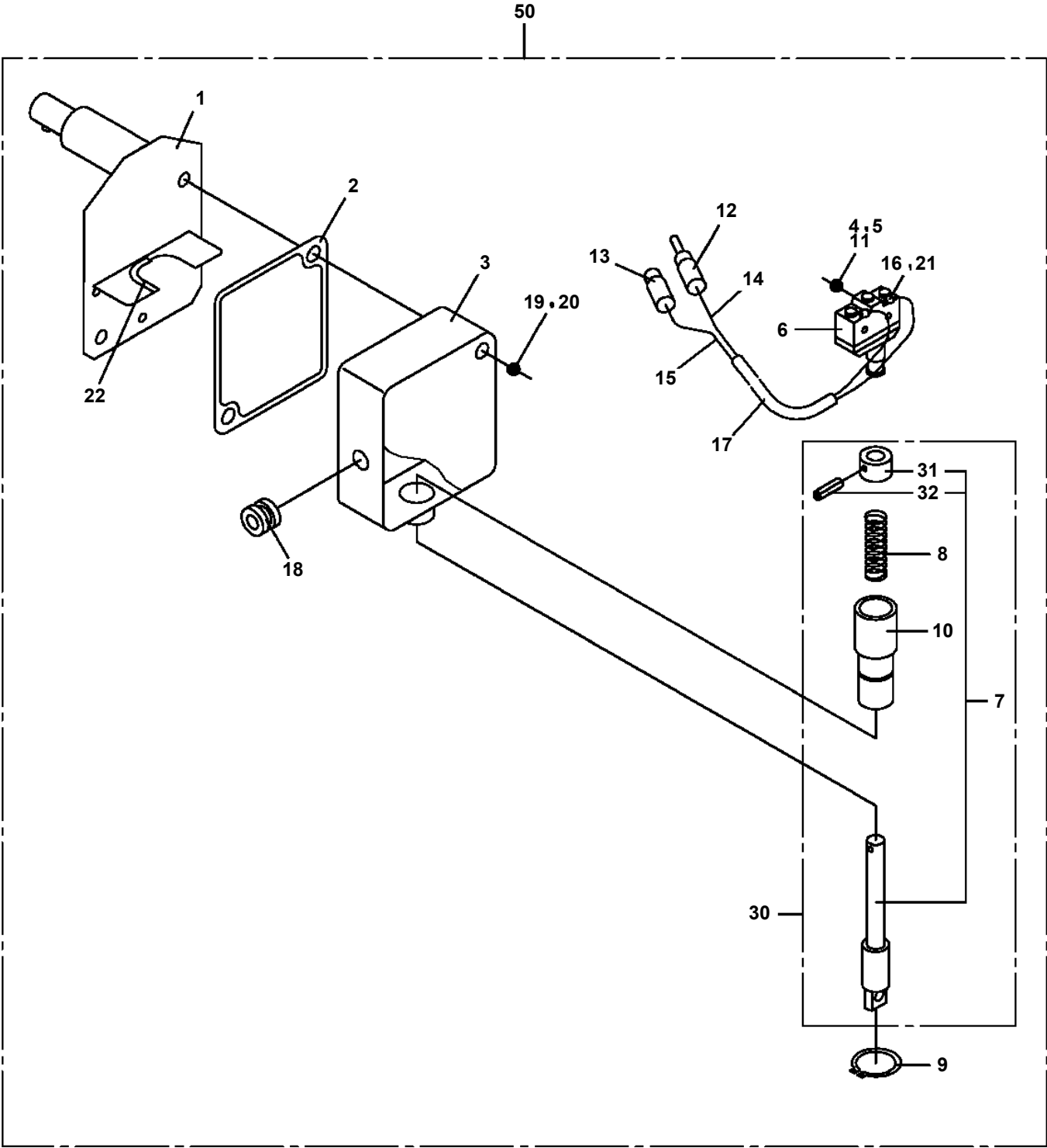
34090190102 3 BOOM 1M1D ,ATF60J-3

Pos No.	Parts No	Parts Name	Qty	Unit	Technical Data	Serial No (Start)	Ser
1	(*****)	BOOM	1				
5	(*****)	MOUNT (ROLLER,WIRE GUIDE SHAVE)	1				
6	(*****)	MOUNT (ELECTRIC)	1				
7	(*****)	MOUNT (HOOK/STOWING)	1				
9	(*****)	MOUNT (COVER FOR TELESCOPING CONT.VALVE)	1				

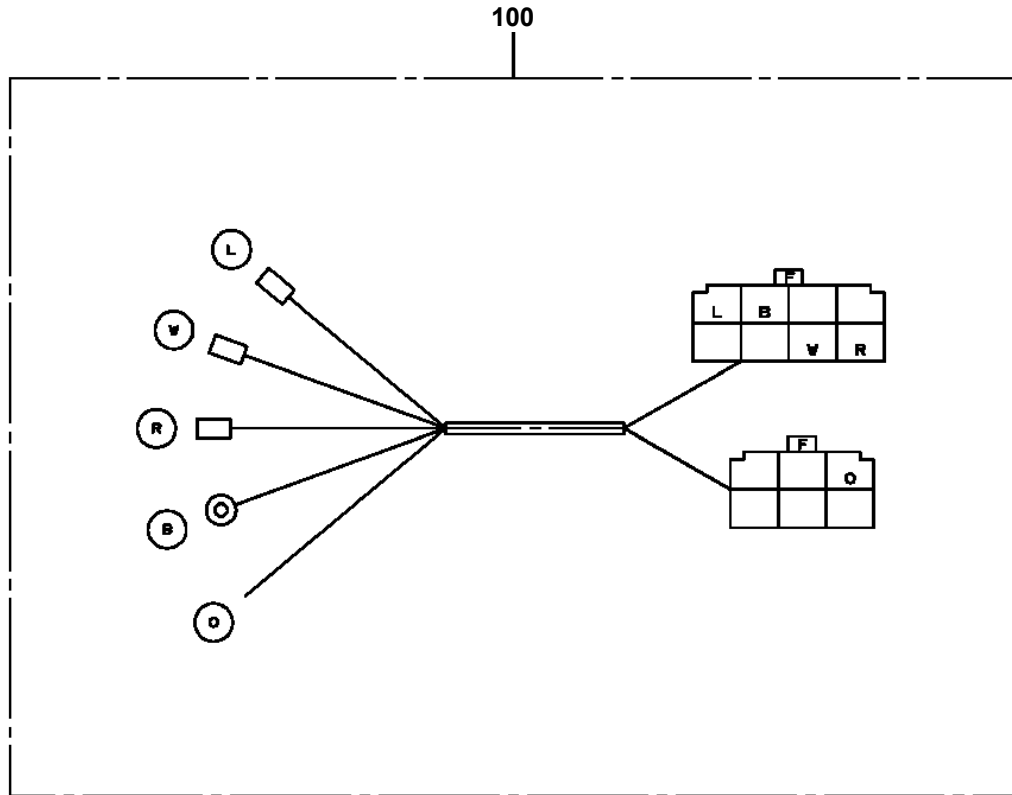
34090190102 3 BOOM 1M1D ,ATF60J-3

Pos No.	Parts No	Parts Name	Qty	Unit	Technical Data	Serial No (Start)	Serial No (End)
1	36132470000	DETECTOR,BOOM LENGTH	1				570095
	36132470001	DETECTOR ASSY,LENGTH (BOOM)	1			570096	
2	90172108020	BOLT,HEXAGON SOCKET	4		M8X20		
3	90302040801	WASHER,SPRING	4		8		
4	90303070801	WASHER,PLAIN	4		8		
5	34363460100	COVER	1				
6	90186210014	BOLT,FLANGE	2		M10X14		
7	90303071001	WASHER,PLAIN	2		10		

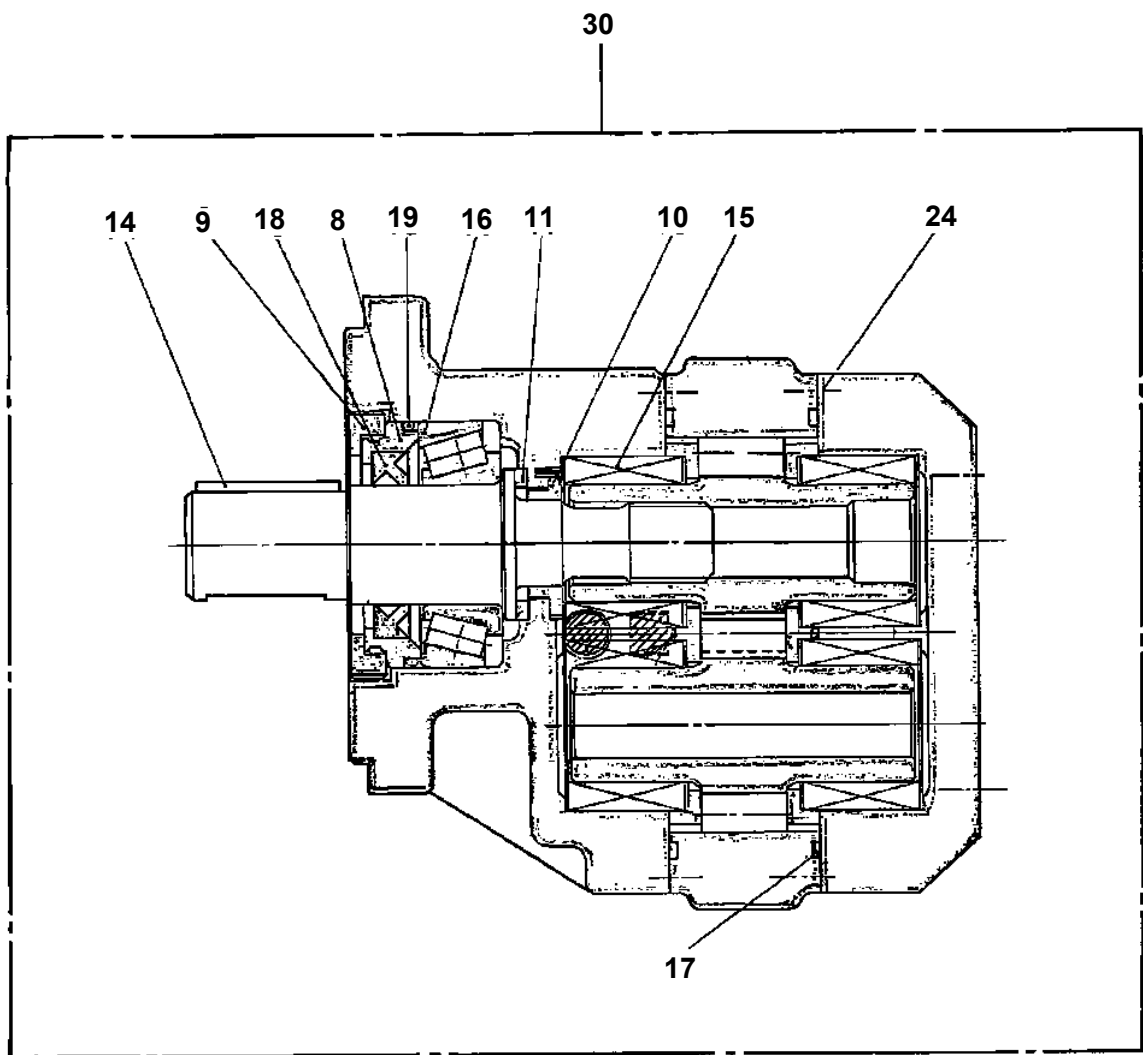
34090190102 3 BOOM 1M1D ,ATF60J-3
PH1070025-01 SWITCH,OVER WIND DETECTOR (JIB & SINGLETOP)



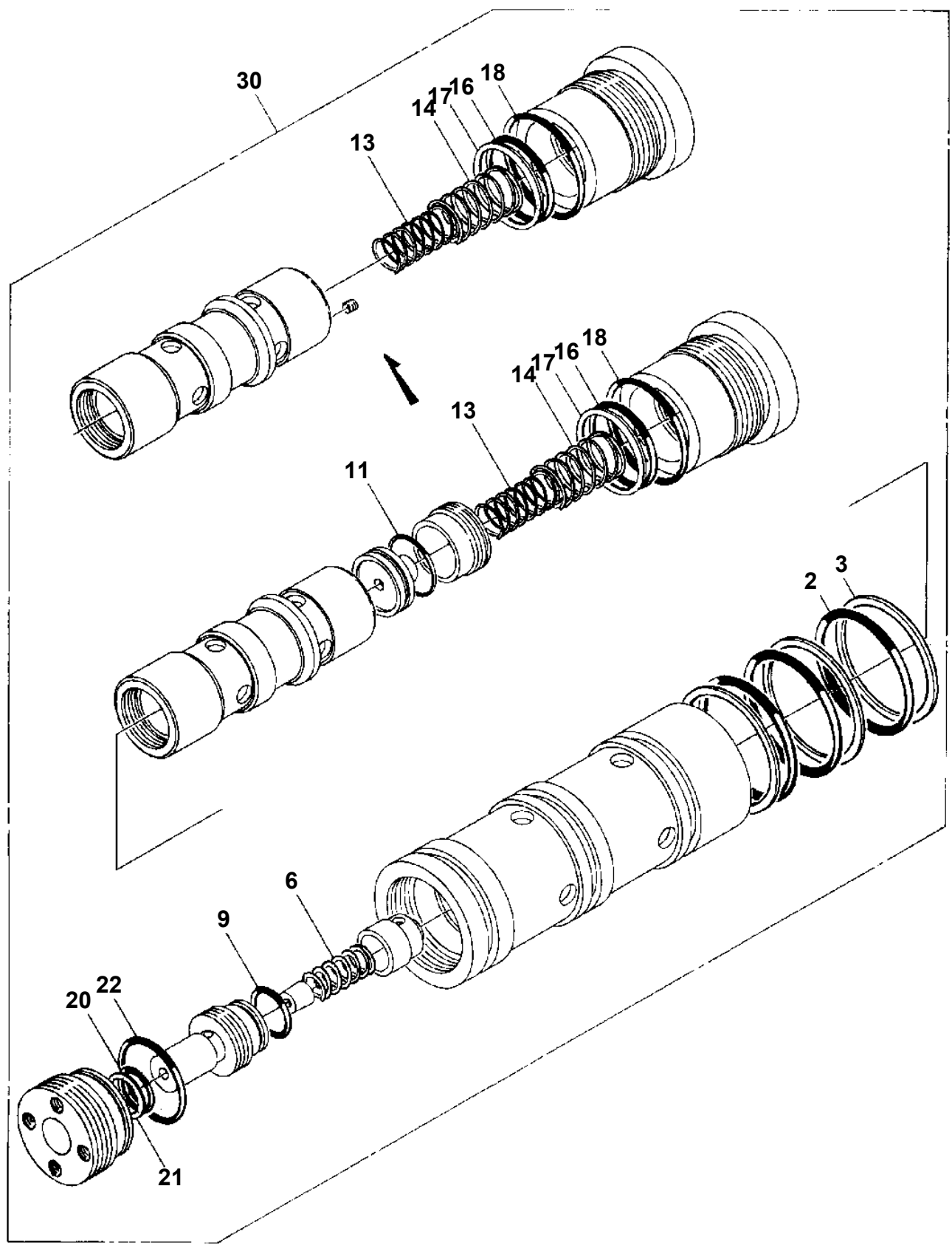
34090190102 3 BOOM 1M1D ,ATF60J-3
PH5032249-00 HARNESS



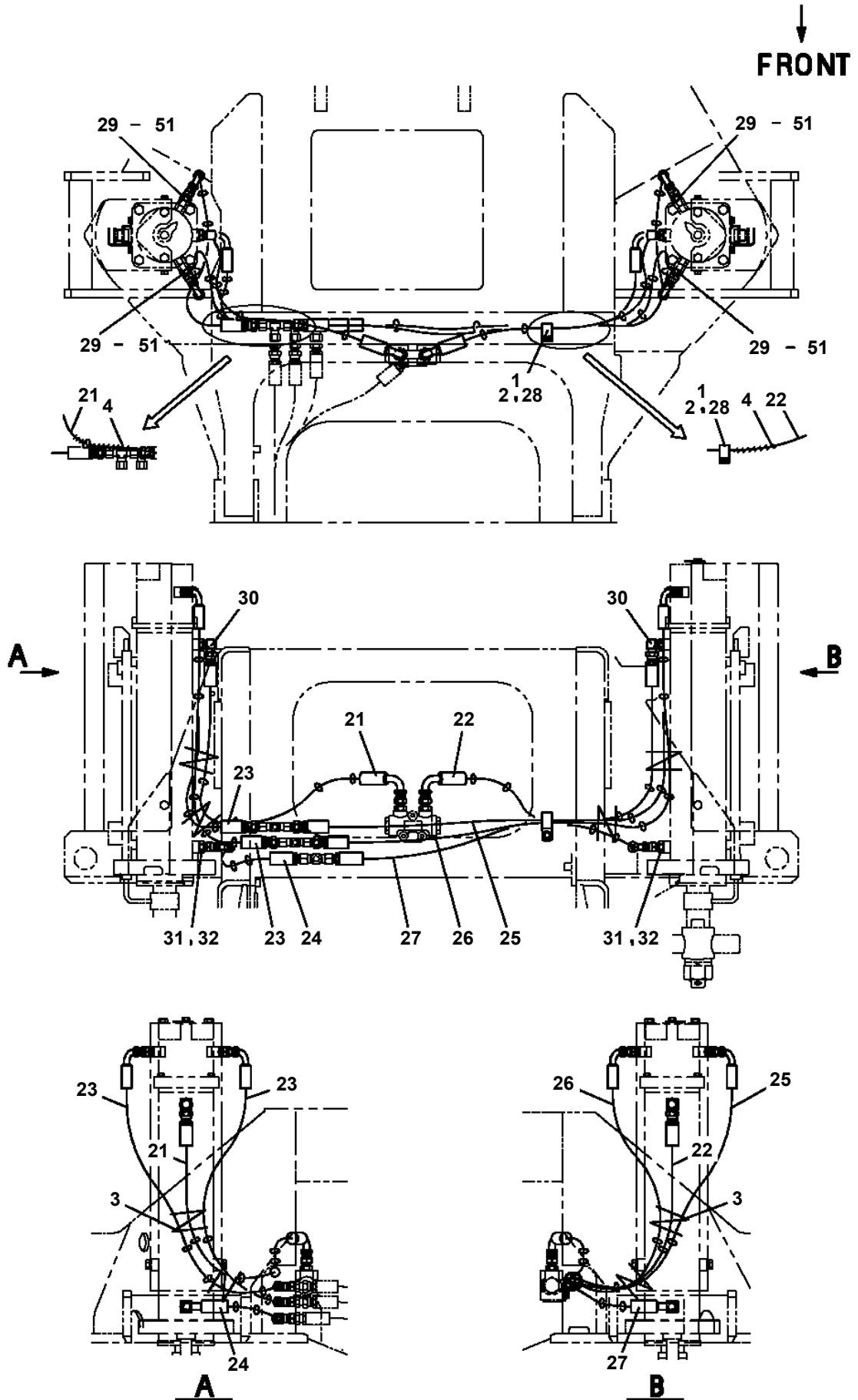
34090190102 3 BOOM 1M1D ,ATF60J-3
PI1010099-00 MOTOR, HYDRAULIC



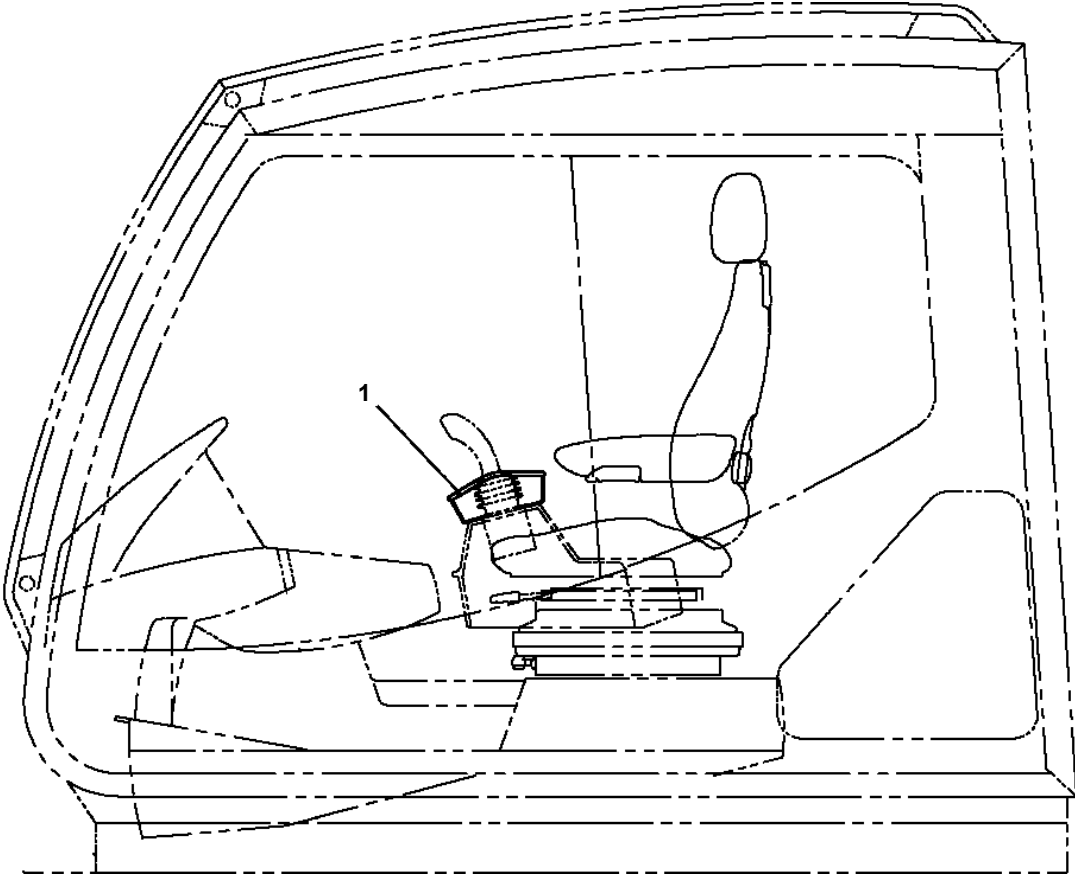
34090190102 3 BOOM 1M1D ,ATF60J-3
PI1260011-02 CARTRIDGE, COUNTERBALANCE



34090190102 3 BOOM 1M1D ,ATF60J-3
PK1250032-01 PIPING,WEIGHT REMOVER



**34090190102 3 BOOM 1M1D ,ATF60J-3
PL1020090-00 LEVER,CONTROL (SUPPORT)**



CLICK HERE TO **DOWNLOAD** THE COMPLETE MANUAL

- Thank you very much for reading the preview of the manual.
- You can download the complete manual from: www.heydownloads.com by clicking the link below



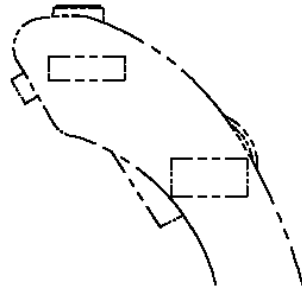
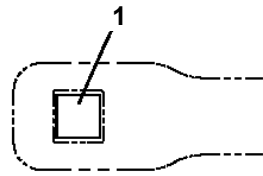
- Please note: If there is no response to CLICKING the link, please download this PDF first and then click on it.

CLICK HERE TO **DOWNLOAD** THE COMPLETE MANUAL

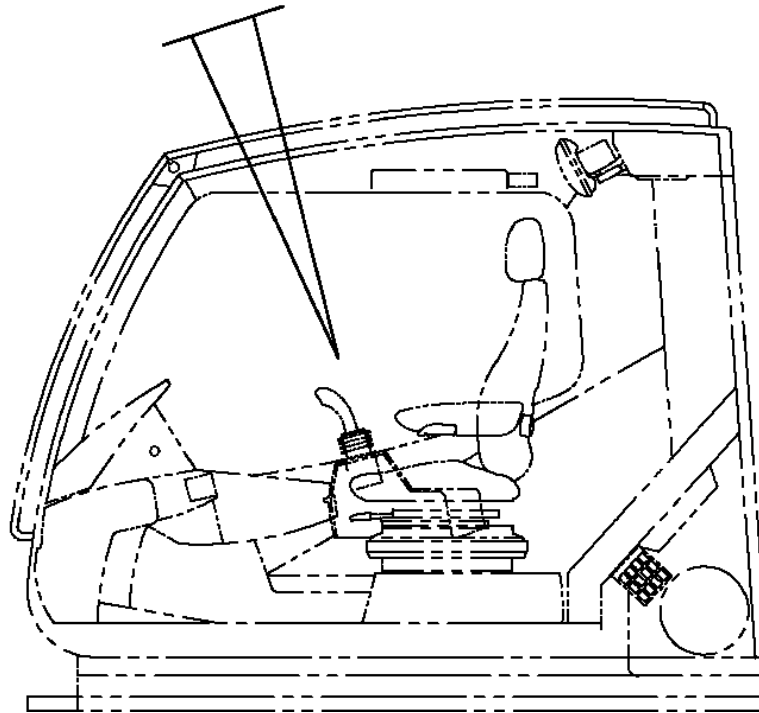
34090190102 3 BOOM 1M1D ,ATF60J-3

Pos No.	Parts No	Parts Name	Qty	Unit	Technical Data	Serial No (Start)	Serial No (End)	Remarks	Pages
1	34762796010	PLATE	2		T=70				

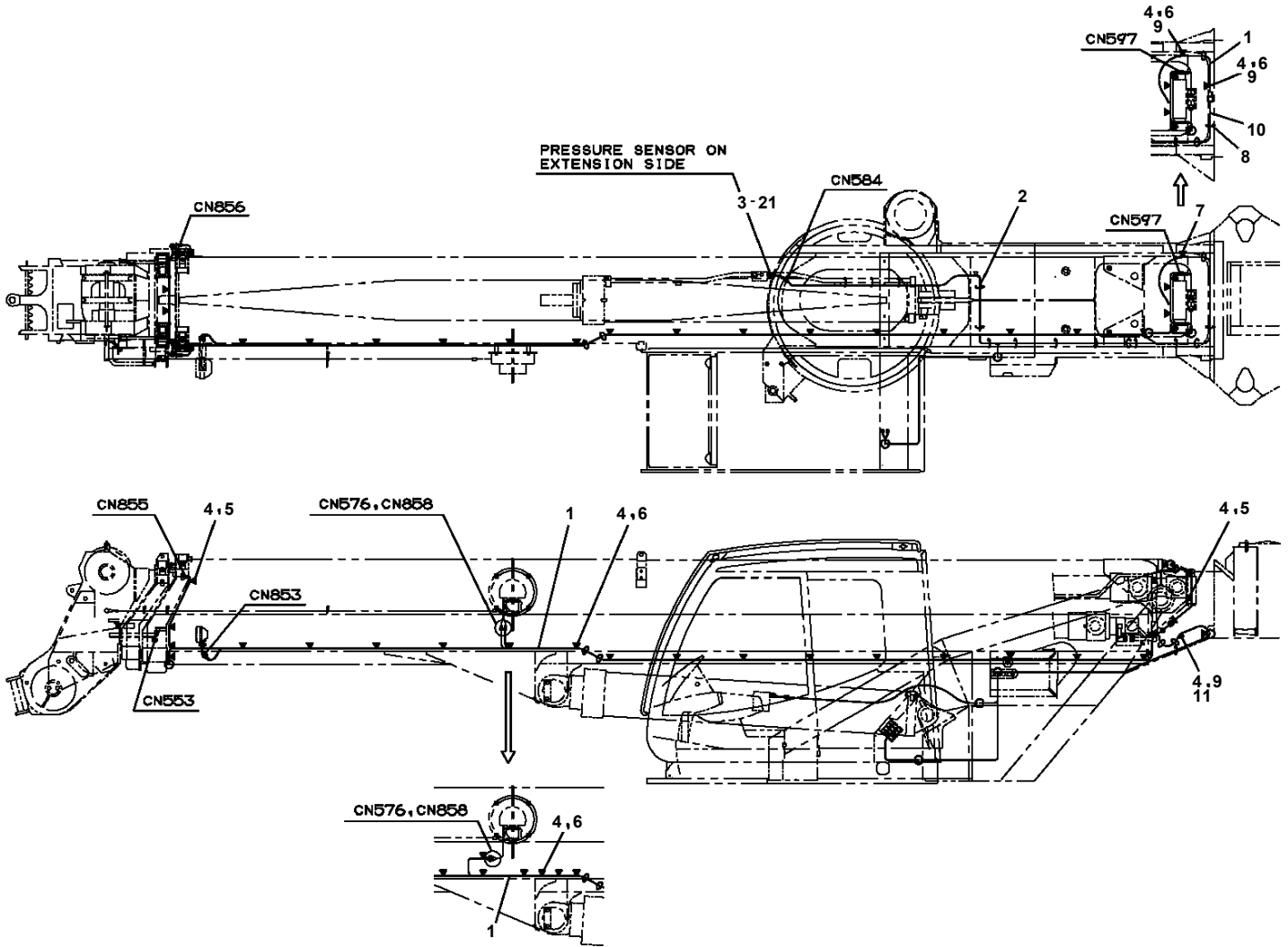
34090190102 3 BOOM 1M1D ,ATF60J-3
PM5150032-00 MODIFICATION ASSY



右操作レバー



34090190102 3 BOOM 1M1D ,ATF60J-3
PN1014598-02 ELEC.ASSY (BOOM,SWING FRAME HANESS)



34090190102 3 BOOM 1M1D ,ATF60J-3

Pos No.	Parts No	Parts Name	Qty	Unit	Technical Data	Serial No (Start)	Serial No (End)	Remarks	Pages
1	34430984100	HARNESS	1						
2	82100000192	TERMINAL	2						
3	82100000182	INSULATOR	2						
6	34493401100	HARNESS	1						
7	82161202030	RELAY	1		ACB13212				
8	82100001836	FUSE	1		3A				

34090190102 3 BOOM 1M1D ,ATF60J-3

Pos No.	Parts No	Parts Name	Qty	Unit	Technical Data	Serial No (Start)	Serial No (End)	Remarks
1	36120555010	CASE ASSY	1					
3	36120555020	BOARD (WITHOUT P-ROM)	1					
5	36120555030	SCREW	9		M3X10			
12	(*****)	P-ROM	1					
100	36120550000	TRANSMITTER,SIGNAL	1					

34090190102 3 BOOM 1M1D ,ATF60J-3 PN5010232-01 NAME PLATE ASSY (UPPER)

2

最大作業半径一定吊钩荷重 (フックの質量を含む)			
カウンターウエイト	10トン	5トン	0トン
フー A	15.0m/6.7t	15.0m/4.9t	15.0m/2.5t
シングルトップ	15.0m/3.5t		

3

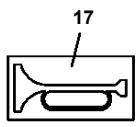
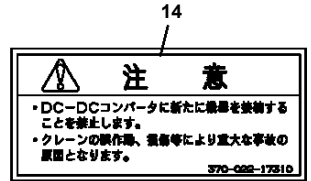
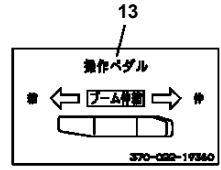
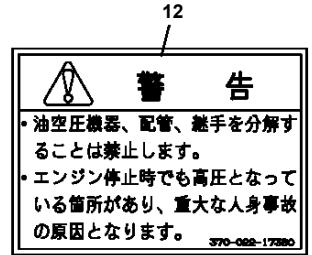
ヒューズ容量と使用電圧														
ヒューズ	容量	使用電圧	ヒューズ	容量	使用電圧	ヒューズ	容量	使用電圧	ヒューズ	容量	使用電圧	ヒューズ	容量	使用電圧
F001	5A	AC100V	F002	5A	AC100V	F003	5A	AC100V	F004	5A	AC100V	F005	5A	AC100V
F006	5A	AC100V	F007	5A	AC100V	F008	5A	AC100V	F009	5A	AC100V	F010	5A	AC100V
F011	5A	AC100V	F012	5A	AC100V	F013	5A	AC100V	F014	5A	AC100V	F015	5A	AC100V
F016	5A	AC100V	F017	5A	AC100V	F018	5A	AC100V	F019	5A	AC100V	F020	5A	AC100V
F021	5A	AC100V	F022	5A	AC100V	F023	5A	AC100V	F024	5A	AC100V	F025	5A	AC100V
F026	5A	AC100V	F027	5A	AC100V	F028	5A	AC100V	F029	5A	AC100V	F030	5A	AC100V
F031	5A	AC100V	F032	5A	AC100V	F033	5A	AC100V	F034	5A	AC100V	F035	5A	AC100V
F036	5A	AC100V	F037	5A	AC100V	F038	5A	AC100V	F039	5A	AC100V	F040	5A	AC100V
F041	5A	AC100V	F042	5A	AC100V	F043	5A	AC100V	F044	5A	AC100V	F045	5A	AC100V
F046	5A	AC100V	F047	5A	AC100V	F048	5A	AC100V	F049	5A	AC100V	F050	5A	AC100V
F051	5A	AC100V	F052	5A	AC100V	F053	5A	AC100V	F054	5A	AC100V	F055	5A	AC100V
F056	5A	AC100V	F057	5A	AC100V	F058	5A	AC100V	F059	5A	AC100V	F060	5A	AC100V
F061	5A	AC100V	F062	5A	AC100V	F063	5A	AC100V	F064	5A	AC100V	F065	5A	AC100V
F066	5A	AC100V	F067	5A	AC100V	F068	5A	AC100V	F069	5A	AC100V	F070	5A	AC100V
F071	5A	AC100V	F072	5A	AC100V	F073	5A	AC100V	F074	5A	AC100V	F075	5A	AC100V
F076	5A	AC100V	F077	5A	AC100V	F078	5A	AC100V	F079	5A	AC100V	F080	5A	AC100V
F081	5A	AC100V	F082	5A	AC100V	F083	5A	AC100V	F084	5A	AC100V	F085	5A	AC100V
F086	5A	AC100V	F087	5A	AC100V	F088	5A	AC100V	F089	5A	AC100V	F090	5A	AC100V
F091	5A	AC100V	F092	5A	AC100V	F093	5A	AC100V	F094	5A	AC100V	F095	5A	AC100V
F096	5A	AC100V	F097	5A	AC100V	F098	5A	AC100V	F099	5A	AC100V	F100	5A	AC100V

4
主吊
3.5t

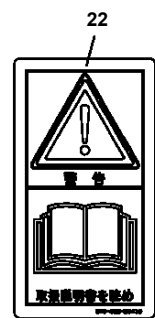
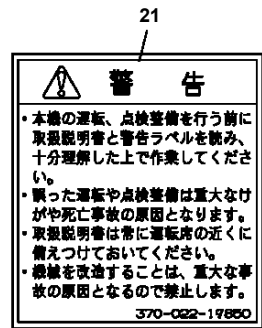
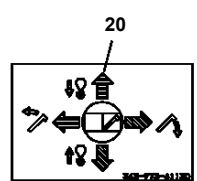
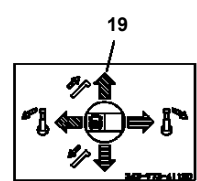
5
35t

6
60t

7
つり上げ荷重60トン



18
増速 (Increase speed)



34090190102 3 BOOM 1M1D ,ATF60J-3

Pos No.	Parts No	Parts Name	Qty	Unit	Technical Data	Serial No (Start)	Serial No (End)	Remarks	Pages
1	37002225060	PLATE,NAME	1						

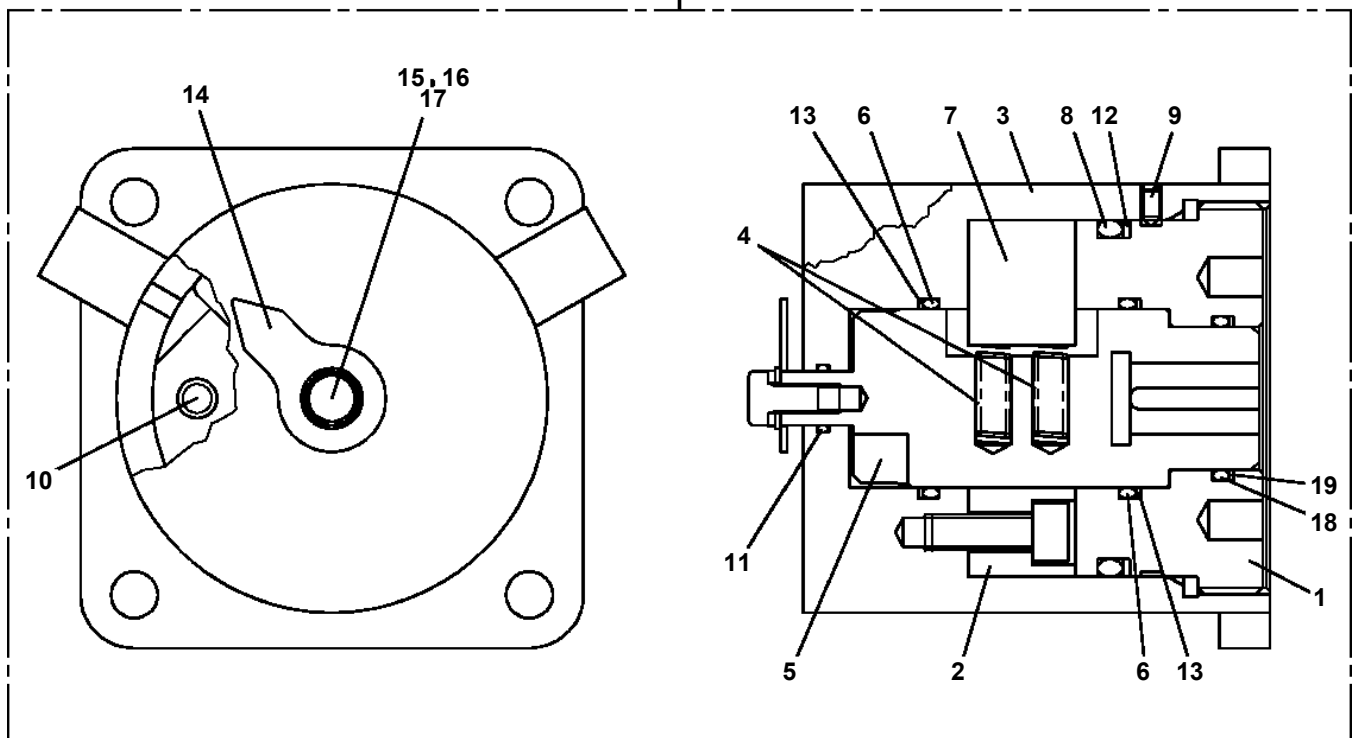
34090190102 3 BOOM 1M1D ,ATF60J-3
PP5240012-00 PLATE,NAME

当銘板については、弊社出先サービス員経由で御用命ください。

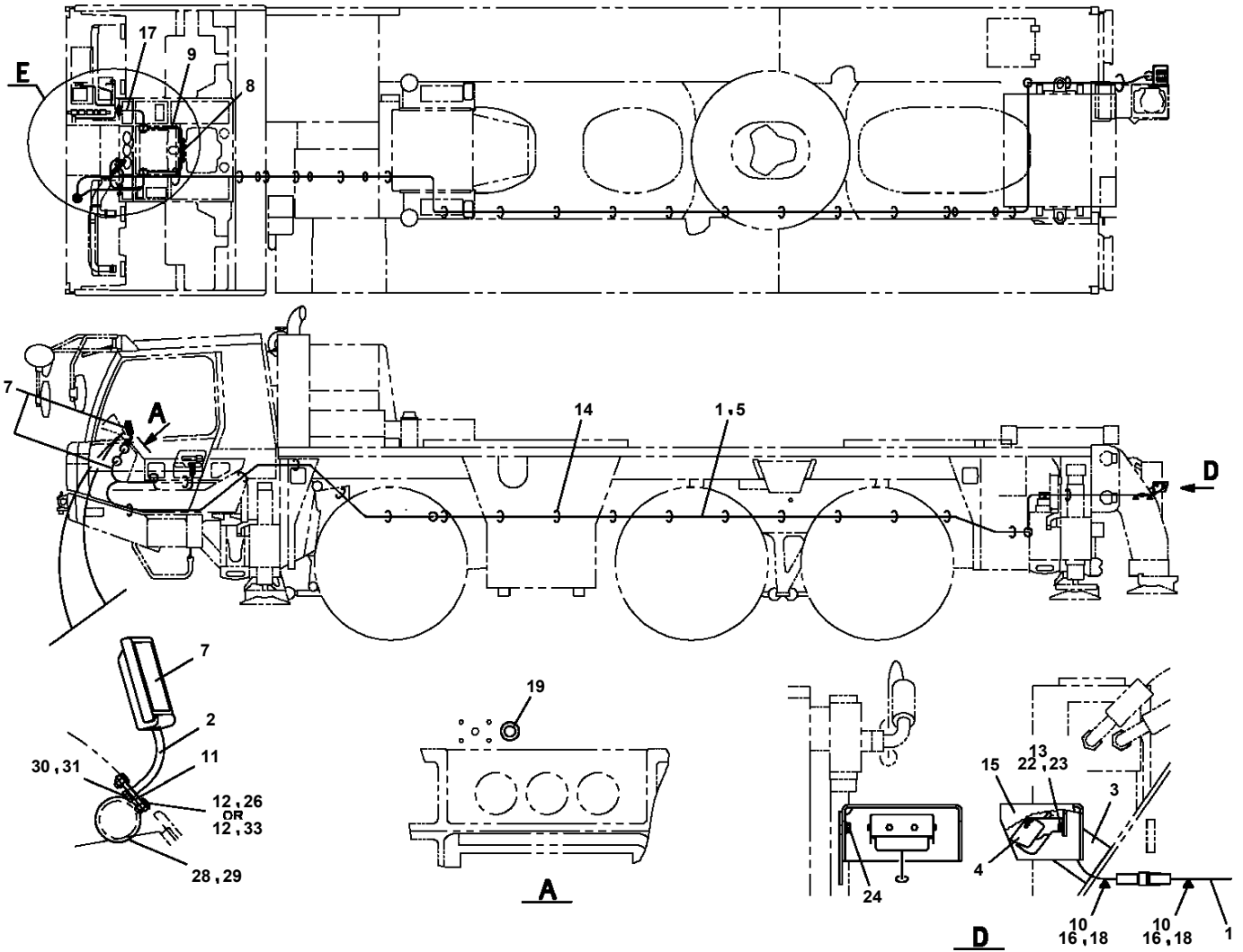
FOR THIS NAMEPLATE ,CONTACT
TADANO DISTRIBUTOR OR DEALER .

34090190102 3 BOOM 1M1D ,ATF60J-3
PR5180001-00 ROTATOR ASSY

100

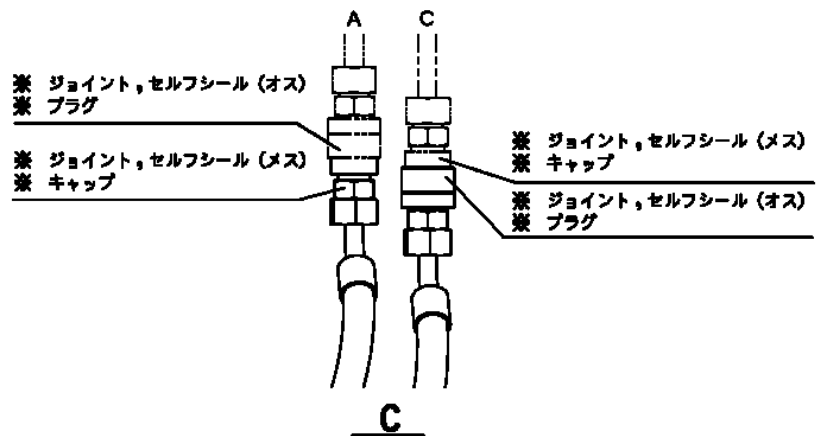
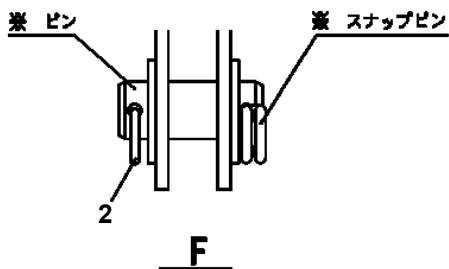
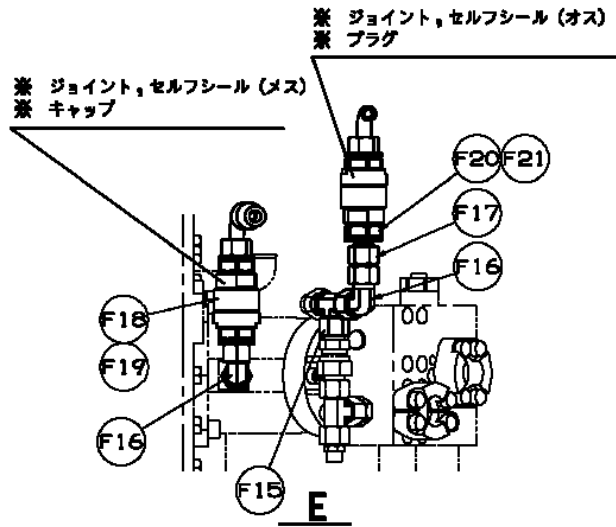


**34090190102 3 BOOM 1M1D ,ATF60J-3
PV5450016-00 VIEW SYSTEM (BACK MONITOR)**



34090190102 3 BOOM 1M1D ,ATF60J-3
 PW5070003-01 WINCH ASSY (AUX./MOUNT)

※印部品及びホースは、FAUNパーツカタログを参照してください

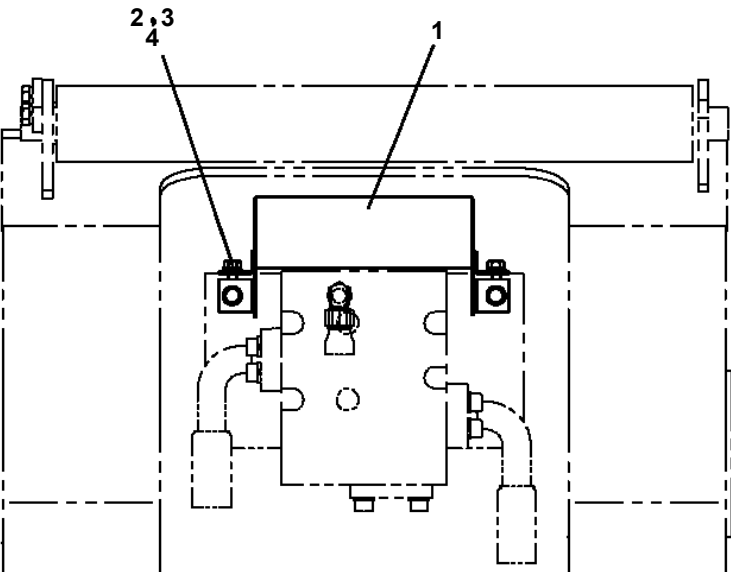
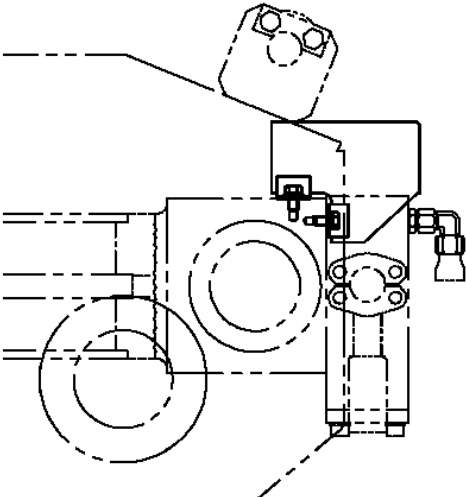


F101材~F24材は部品番号「997-070-22960」より検索してください
 PLEASE SEARCH ITEM F101 TO ITEM F24
 FROM THE PART NO. 997-070-22960

34090190102 3 BOOM 1M1D ,ATF60J-3

Pos No.	Parts No	Parts Name	Qty	Unit	Technical Data	Serial No (Start)	Serial No (End)	Remarks	Pages
1	34271934100	STEP	2						
2	90101210025	BOLT	8		M10X25				
3	90302041001	WASHER,SPRING	8		10				
4	90201201000	NUT	8		M10				

**34090190102 3 BOOM 1M1D ,ATF60J-3
PX1940300-00 MOUNT (COVER FOR TELESCOPING CONT.VALVE)**



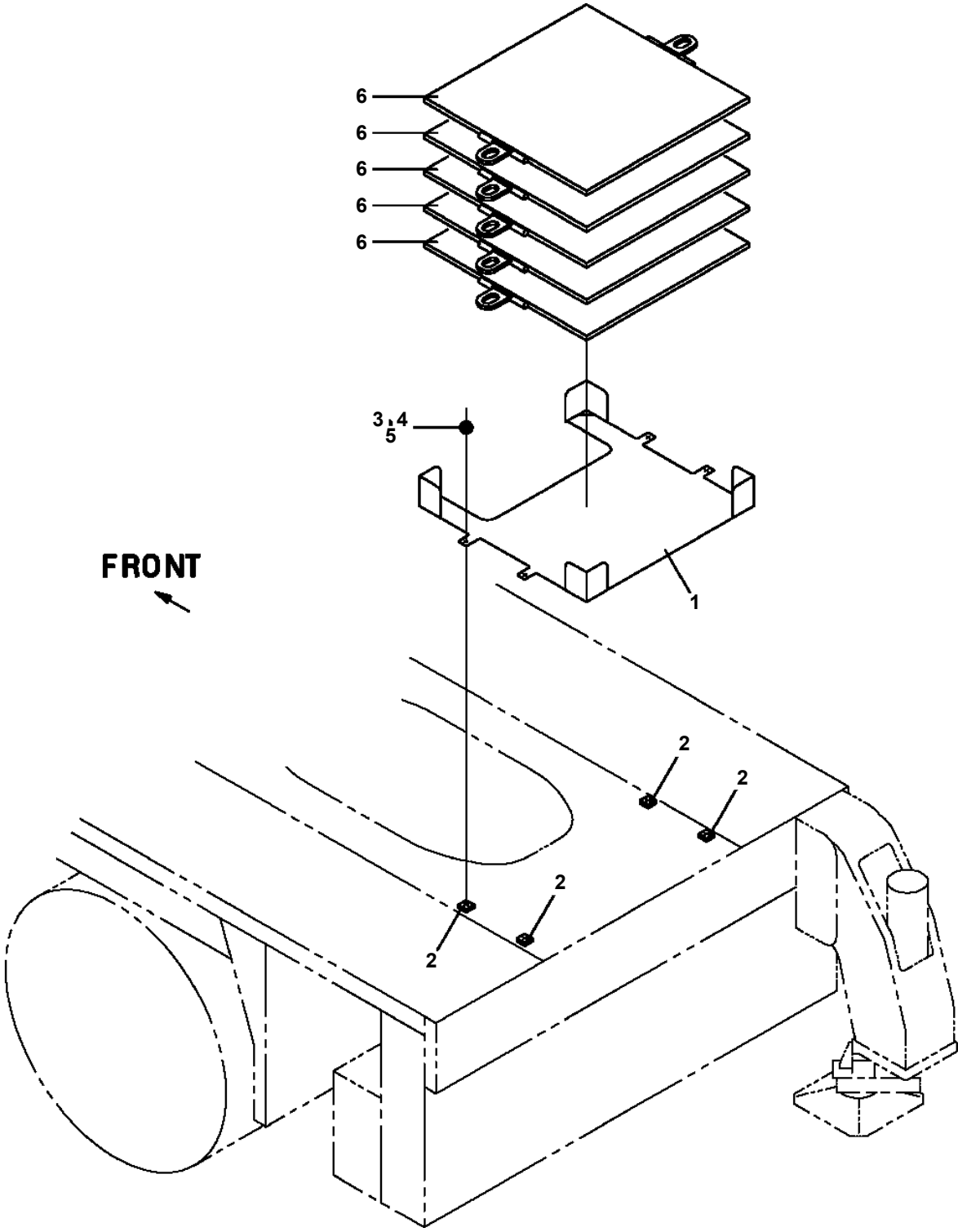
34090190102 3 BOOM 1M1D ,ATF60J-3

Pos No.	Parts No	Parts Name	Qty	Unit	Technical Data	Serial No (Start)	Serial No (End)	Remarks	Pages
1	34830460101	SUPPORT	1						
2	37001507730	BOLT	2						
3	34830345100	NUT,WING	2						
4	80136340035	PIN,SPLIT	4		4X35				
5	90101214025	BOLT	4		M14X25				
6	90302041401	WASHER,SPRING	4		14				
7	90303071401	WASHER,PLAIN	4		14				
8	34830460400	CHAIN	1						
9	34830460200	SUPPORT	1						
10	34830460300	SUPPORT	1						
11	90303101601	WASHER,PLAIN	2		16				

34090190102 3 BOOM 1M1D ,ATF60J-3

Pos No.	Parts No	Parts Name	Qty	Unit	Technical Data	Serial No (Start)	Serial No (End)	Remarks
1	34472861000	FAN	1					
2	34493610100	HARNESS	1					
3	90925040125	SCREW,TAPPING (BLACK)	3		M4X12			
4	82183901010	CONDENSER	1					
5	91810130230	FASTENER	5					
6	90302040301	WASHER,SPRING	2		3			
7	82100001839	FUSE	1		10A.RED			
8	34493610200	HARNESS	1					
9	82400000214	GROMMET	1					
21	34472867510	SWITCH	1					

34090190102 3 BOOM 1M1D ,ATF60J-3
PY2340033-00 PLATE



CLICK HERE TO **DOWNLOAD** THE COMPLETE MANUAL

- Thank you very much for reading the preview of the manual.
- You can download the complete manual from: www.heydownloads.com by clicking the link below



- Please note: If there is no response to CLICKING the link, please download this PDF first and then click on it.

CLICK HERE TO **DOWNLOAD** THE COMPLETE MANUAL