

AT-81-1 42040110500 LOWER,NISSAN YU41H4
PX1000575-00 MOUNTING PARTS
ASSEMBLY

CLICK HERE TO **DOWNLOAD** THE COMPLETE MANUAL

- Thank you very much for reading the preview of the manual.
- You can download the complete manual from: www.heydownloads.com by clicking the link below



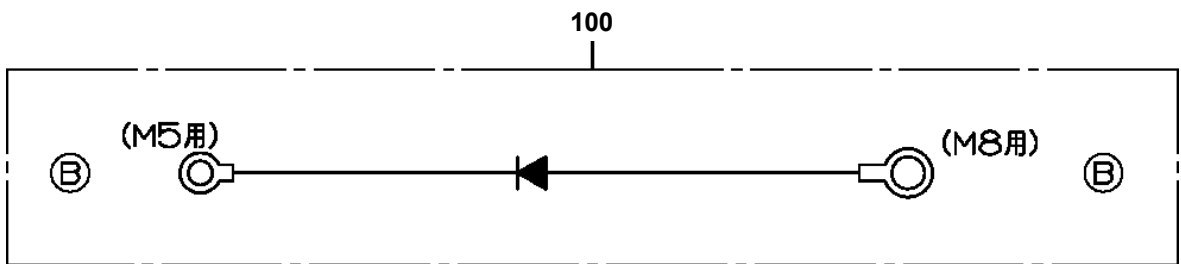
- Please note: If there is no response to CLICKING the link, please download this PDF first and then click on it.

CLICK HERE TO **DOWNLOAD** THE COMPLETE MANUAL

AT-81-1 42040110500 LOWER,NISSAN YU41H4

Pos No.	Parts No	Parts Name	Qty	Unit	Technical Data	Serial No (Start)	Serial No (End)
1	42805371000	PANEL	1				
2	42805373100	SUPPORT	1				
3	80174303012	SCREW,MACHINE	4				
4	90302040301	WASHER,SPRING	4		3		
5	90201200300	NUT	4		M3		
6	90101206012	BOLT	2		M6X12		
7	90302040601	WASHER,SPRING	2		6		
8	91810130240	FASTENER	10				
9	42394090180	PLATE,NAME (FUSE)	1				
10	42394090160	PLATE,NAME (100V 10A AC INLET)	1				
31	42805370100	PANEL	1				
32	42805372000	CABLE ASSY	1				
33	42805370200	HARNESS	1				
34	42474471150	HOLDER ASSY(FUSE,WITH HARNESS)	2				
35	82100002039	CLAMP	1				
36	90101208016	BOLT	1		M8X16		
37	90302040801	WASHER,SPRING	1		8		
38	90201200800	NUT	1		M8		
39	91810130240	FASTENER	5				
40	82100001823	FASTENER	1				
51	82100001161	HOLDER (F)	2				
52	82100001348	FUSE	2		15A,6.5X30		
61	82100001855	CONNECTOR	1				

AT-81-1 42040110500 LOWER,NISSAN YU41H4
PH5034452-00 HARNESS



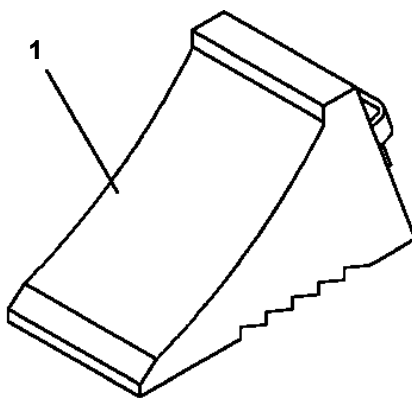
AT-81-1 42040110500 LOWER,NISSAN YU41H4

Pos No.	Parts No	Parts Name	Qty	Unit	Technical Data	Serial No (Start)	Serial No (End)	Remarks	Page
1	37001701520	CABLE,CONTROL	1		L=1500				
2	82100001801	TUBE,CORRUGATE	1		7				
4	42712520100	HARNESS	1				745458		
5	90303070601	WASHER,PLAIN	2		6				
6	80136320012	PIN,SPLIT	2		2X12				
7	37000105720	PIN	1						
8	90101208020	BOLT	2		M8X20				
9	90302040801	WASHER,SPRING	4		8				
10	91810130240	FASTENER	5						
11	42714090100	LINK	1						
12	37000112370	PIN	1						
13	42710500300	SUPPORT	1						
14	31710540100	SUPPORT	1						
15	90101208016	BOLT	2		M8X16				
16	42712750100	SUPPORT	1						
17	82100002007	CLAMP	1		WRC10				
18	90201200800	NUT	1		M8				
31	80172303008	SCREW,MACHINE	4		M3X8		745458		
32	90302040301	WASHER,SPRING	4		3		745458		
33	80192484008	SCREW,MACHINE	4		M4X8		745458		
34	32731250020	COVER	1				745458		
35	42712010500	SOLENOID ASSY	1				745458		
36	37000112850	PIN	1				745458		
37	90303070401	WASHER,PLAIN	1		4		745458		
38	80136316010	PIN,SPLIT	1		1.6X10		745458		
39	42710150250	PLATE	1				745458		
40	32731250010	CASE	1				745458		
51	42713992100	SUPPORT	1			745459			
52	90302040601	WASHER,SPRING	1		6	745459			
53	82100001799	SOLENOID	1			745459			
54	90101208020	BOLT	8		M8X20	745459			
55	90302040801	WASHER,SPRING	8		8	745459			
56	82100002051	CLAMP	1		WS-A55	745459			
57	80182306012	SCREW,MACHINE	1		M6X12	745459			
58	42800040030	HARNESS	1			745459			0000
59	42713281400	COVER	1			745459			
60	42713992200	HARNESS	1			745459			
61	8240000201	GROMMET	1		KG-016	745459			

AT-81-1 42040110500 LOWER,NISSAN YU41H4

Pos No.	Parts No	Parts Name	Qty	Unit	Technical Data	Serial No (Start)	Serial No (End)
1	42943722010	PLATE,NAME (VEHICLE HEIGHT/2.85M)	1				
2	42943722020	PLATE,NAME (EARTH TERMINAL)	1				
3	42943722030	PLATE,NAME (MAX./LOAD 400KG)	1				

**AT-81-1 42040110500 LOWER,NISSAN YU41H4
PW5110002-00 WEDGE (STOPPER FOR TIRE/WAZUMI)**



AT-81-1 42040110500 LOWER,NISSAN YU41H4

Pos No.	Parts No	Parts Name	Qty	Unit	Technical Data	Serial No (Start)	Serial No (End)	Remarks	Pages
1	37001601490	NUT	2		M14/B=35				

CLICK HERE TO **DOWNLOAD** THE COMPLETE MANUAL

- Thank you very much for reading the preview of the manual.
- You can download the complete manual from: www.heydownloads.com by clicking the link below



- Please note: If there is no response to CLICKING the link, please download this PDF first and then click on it.

CLICK HERE TO **DOWNLOAD** THE COMPLETE MANUAL