

AT-80-3 42006340800 LOWER,ISUZU BKG-NKR85AN-EE5AHY-M

PB3000211-00 POWER UNIT
PO1000171-00 INDICATION PLATES
PX2000897-00 CARRIER UNIT
PX3000490-00 MOUNTING UNIT
PY1001242-03 OPTIONS,1
ASSEMBLY

CLICK HERE TO **DOWNLOAD** THE COMPLETE MANUAL

- Thank you very much for reading the preview of the manual.
- You can download the complete manual from: www.heydownloads.com by clicking the link below



- Please note: If there is no response to CLICKING the link, please download this PDF first and then click on it.

CLICK HERE TO **DOWNLOAD** THE COMPLETE MANUAL

AT-80-3 42006340800 LOWER,ISUZU BKG-NKR85AN-EE5AHY-M

Pos No.	Parts No	Parts Name	Qty	Unit	Technical Data	Se
1	(*****)	BUZZER (JACK OPE./07.0 ISUZU, NISSAN,MAZDA BKG,BDG)	1			
	(*****)	BUZZER (JACK OPE./09.0 ISUZU BKG,BDG)	1			
	(*****)	BUZZER (JACK/FOR ISUZU:PB,NISSAN,MAZDA)	1			
	(*****)	BUZZER (JACK/FOR MITSUBISHI)	1			
	(*****)	BUZZER (JACK/FOR HINO,TOYOTA)	1			
2	(*****)	VIEW SYSTEM (BACK MONITOR/HINO)	1			
	(*****)	VIEW SYSTEM (BACK MONITOR/MITSUBISHI)	1			
	(*****)	VIEW SYSTEM (BACK MONITOR/ISUZU:PB,BKG)	1			
3	(*****)	BOX,TOOL (RIGHT/INNER SHELF)	1			
4	(*****)	BOX,TOOL (LEFT/INNER SHELF)	1			
5	(*****)	INTERLOCK (TOOL BOX UNCLOSED/MITSUBISHI)	1			
	(*****)	INTERLOCK (TOOL BOX UNCLOSED/ISUZU:PB)	1			
	(*****)	INTERLOCK (TOOL BOX/HINO,ISUZU:BKG)	1			
6	(*****)	WOOD BLOCK	1			
	(*****)	WOOD BLOCK	1			
7	(*****)	EARTHING DEVICE (EXCLUSIVE FOR 4WD)	1			
	(*****)	EARTHING DEVICE (EXCLUSIVE FOR 2WD)	1			
8	(*****)	SUPPORT ASSY(TRANSFERENCE FOR BACK CAMERA/REAR COVER)	1			

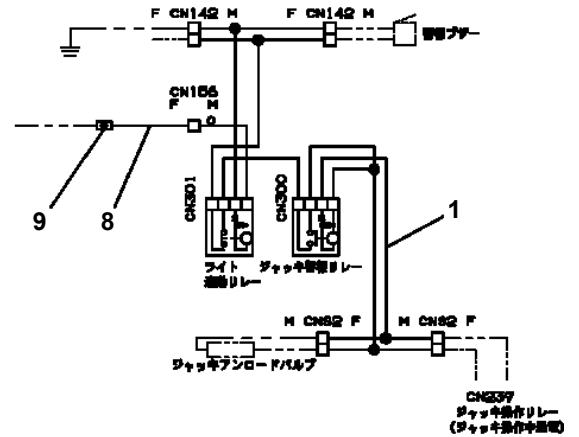
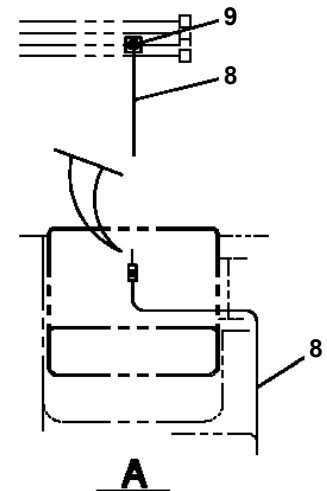
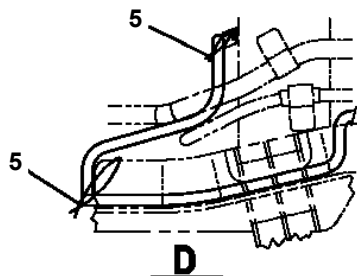
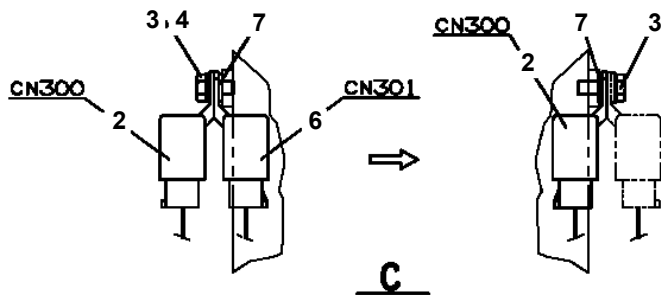
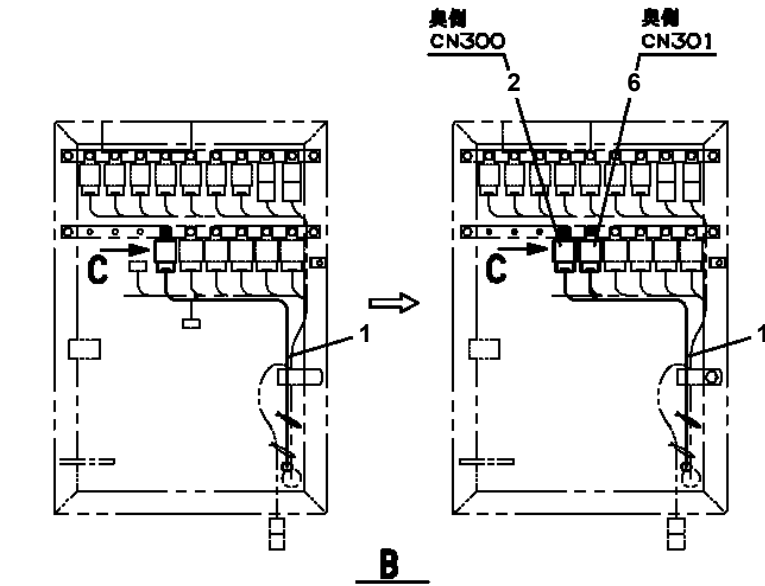
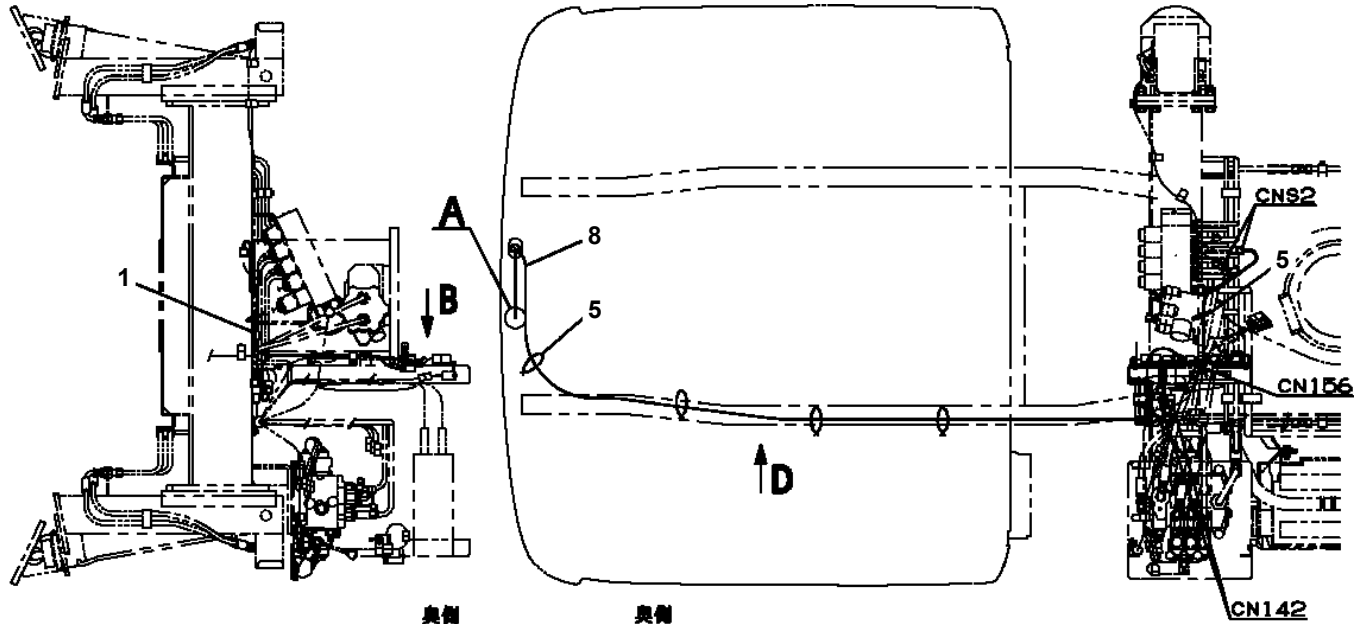
AT-80-3 42006340800 LOWER,ISUZU BKG-NKR85AN-EE5AHY-M

Pos No.	Parts No	Parts Name	Qty	Unit	Technical Data	Serial No (Start)	Serial No (End)	Remarks	Page
1	90303071001	WASHER,PLAIN	2		10				
2	90302041001	WASHER,SPRING	2		10				
3	90174110035	BOLT	2		M10X35				
4	36652840000	PUMP,OIL (32CC:L)	1						00007

AT-80-3 42006340800 LOWER,ISUZU BKG-NKR85AN-EE5AHY-M

Pos No.	Parts No	Parts Name	Qty	Unit	Technical Data	Serial No (Start)	Serial No (End)
1	42838041100	HARNES	1				
2	90101206014	BOLT	2		M6X14		
3	90302040601	WASHER,SPRING	2		6		
4	90303070601	WASHER,PLAIN	2		6		
5	90201200600	NUT	2		M6		
6	80172304012	SCREW,MACHINE	2		M4X12		
7	90302040401	WASHER,SPRING	2		4		
8	90201200400	NUT	2		M4		
9	42971090100	SUPPORT	1				
10	42809631200	LAMP ASSY (RED,WITH HARNES)	1				
11	42652990200	BUZZER ASSY	1				
12	91810132530	FASTENER	10				
13	82115001002	CONNECTOR	6				
14	90186206016	BOLT,FLANGE	1		M6X16		
15	90280200600	NUT,FLANGE	1		M6		
16	42934090200	SUPPORT	1				
17	90101208020	BOLT	1		M8X20		
18	90302040801	WASHER,SPRING	1		8		
19	42808712100	RELAY ASSY	1				
20	82100001805	TUBE,CORRUGATE	1	M	19		
21	42838041200	HARNES	1				

AT-80-3 42006340800 LOWER, ISUZU BKG-NKR85AN-EE5AHY-M
 PH1500013-02 BUZZER (JACK/FOR HINO, TOYOTA)



本オプション系統図

AT-80-3 42006340800 LOWER,ISUZU BKG-NKR85AN-EE5AHY-M

Pos No.	Parts No	Parts Name	Qty	Unit	Technical Data	Serial No (Start)	Serial No (End)	Remarks	Pages
1	42739962100	VIEW SYSTEM	1						000025
2	91810130240	FASTENER	10						

AT-80-3 42006340800 LOWER,ISUZU BKG-NKR85AN-EE5AHY-M

Pos No.	Parts No	Parts Name	Qty	Unit	Technical Data	Serial No (Start)	Serial No (End)	Remarks
1	42739693110	DISPLAY	1					
2	42807401150	CABLE	1					
3	42739931150	CAMERA	1					
30	42970011100	VIEW SYSTEM (MAIN UNIT)	1					

AT-80-3 42006340800 LOWER,ISUZU BKG-NKR85AN-EE5AHY-M

Pos No.	Parts No	Parts Name	Qty	Unit	Technical Data	Serial No (Start)	Serial No (End)	Remarks
2	42739697510	CABLE ASSY	1					
3	42739697540	CABLE ASSY	1					
4	42739697520	CLIP	1					
5	42739697530	REMOTE CONTROL ASSY	1					
100	42739931110	DISPLAY	1					

AT-80-3 42006340800 LOWER,ISUZU BKG-NKR85AN-EE5AHY-M

Pos No.	Parts No	Parts Name	Qty	Unit	Technical Data	Serial No (Start)	Serial No (End)	Remarks	Pages
100	42970890100	HARNESS	1						

AT-80-3 42006340800 LOWER,ISUZU BKG-NKR85AN-EE5AHY-M

Pos No.	Parts No	Parts Name	Qty	Unit	Technical Data	Serial No (Start)	Serial No (End)	Remarks
100	42837372300	HARNESS (LEFT BOX TOOL)	1					

AT-80-3 42006340800 LOWER,ISUZU BKG-NKR85AN-EE5AHY-M

Pos No.	Parts No	Parts Name	Qty	Unit	Technical Data	Serial No (Start)	Serial No (End)	Remarks	Pages
100	42839071100	HARNESS	1						

CLICK HERE TO **DOWNLOAD** THE COMPLETE MANUAL

- Thank you very much for reading the preview of the manual.
- You can download the complete manual from: www.heydownloads.com by clicking the link below



- Please note: If there is no response to CLICKING the link, please download this PDF first and then click on it.

CLICK HERE TO **DOWNLOAD** THE COMPLETE MANUAL

AT-80-3 42006340800 LOWER,ISUZU BKG-NKR85AN-EE5AHY-M

Pos No.	Parts No	Parts Name	Qty	Unit	Technical Data	Serial No (Start)	Serial No (End)	Remarks	Pages
19	82182819823	DIODE	9		1.5A				
26	82182809623	DIODE	4						
100	42837372151	HARNESS	1						

AT-80-3 42006340800 LOWER,ISUZU BKG-NKR85AN-EE5AHY-M

Pos No.	Parts No	Parts Name	Qty	Unit	Technical Data	Serial No (Start)	Serial No (End)	Remarks
1	36672285010	HEAD ASSY	1					
2	36670109511	FILTER,CARTRIDGE	1				HH5273	
	36672580000	FILTER,CARTRIDGE	1			HH5274		
10	36672280000	FILTER,OIL (YAMASHIN)	1					

AT-80-3 42006340800 LOWER,ISUZU BKG-NKR85AN-EE5AHY-M

Pos No.	Parts No	Parts Name	Qty	Unit	Technical Data	Serial No (Start)	Serial No (End)
1	42837373100	HARNES	1				
2	90101206014	BOLT	2		M6X14		
3	90302040601	WASHER,SPRING	2		6		
4	90303070601	WASHER,PLAIN	2		6		
5	90201200600	NUT	2		M6		
6	80172304012	SCREW,MACHINE	2		M4X12		
7	90302040401	WASHER,SPRING	2		4		
8	90201200400	NUT	2		M4		
9	42971090100	SUPPORT	1				
10	42809631200	LAMP ASSY (RED,WITH HARNES)	1				
11	42652990200	BUZZER ASSY	1				
12	91810132530	FASTENER	10				
13	82115001002	CONNECTOR	8				

AT-80-3 42006340800 LOWER,ISUZU BKG-NKR85AN-EE5AHY-M

Pos No.	Parts No	Parts Name	Qty	Unit	Technical Data	Serial No (Start)	Serial No (End)	Remarks
1	42837372501	SUPPORT	1					
2	42837372600	COVER	1					
3	34354781710	RELAY (WITH BRACKET)	10					
5	82199603010	SUPPORT	2					
6	82193101020	TIMER	1					
7	82100002645	SOCKET	1					
8	42837372700	BUZZER ASSY	1					
9	82100002010	CLAMP	1		WR15			
10	90101208016	BOLT	1		M8X16			
11	90101206012	BOLT	15		M6X12			
12	80172304016	SCREW,MACHINE	2		M4X16			
13	90201200600	NUT	1		M6			
14	90302040801	WASHER,SPRING	1		8			
15	90302040601	WASHER,SPRING	16		6			
16	90302040401	WASHER,SPRING	2		4			
100	42839122201	RELAY BOX ASSY	1					

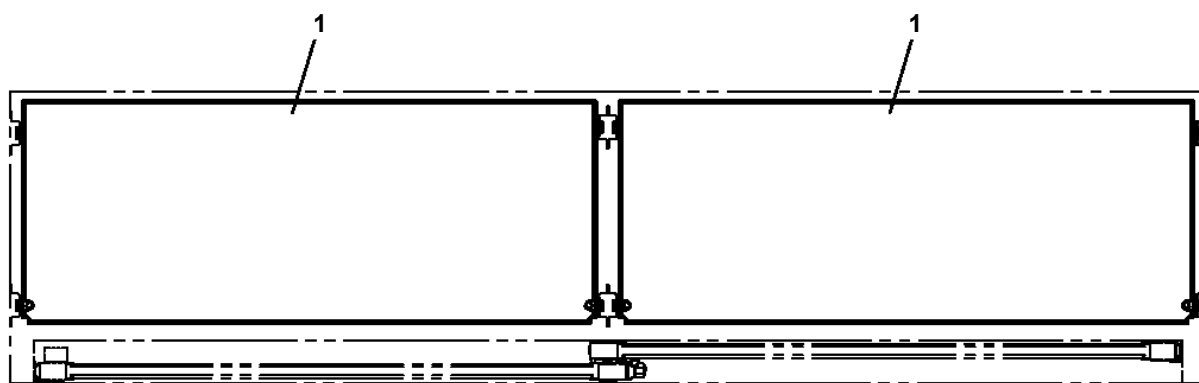
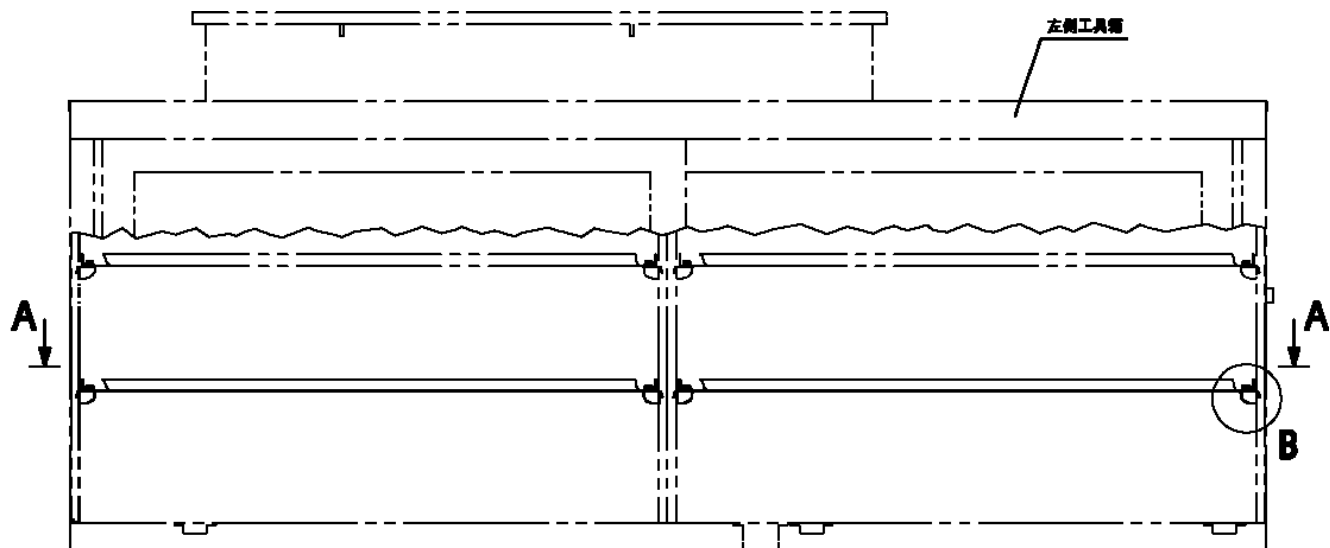
AT-80-3 42006340800 LOWER,ISUZU BKG-NKR85AN-EE5AHY-M

Pos No.	Parts No	Parts Name	Qty	Unit	Technical Data	Serial No (Start)	Serial No (End)	Remarks	Pages
1	42864900100	SPACER	2						
2	37000587620	PLATE	8						
3	42864860200	SUPPORT	2						
4	42864830200	SUPPORT	1						
5	42864860300	SUPPORT	1						
6	42864860400	SUPPORT	2						

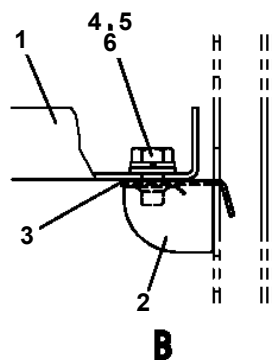
AT-80-3 42006340800 LOWER,ISUZU BKG-NKR85AN-EE5AHY-M

Pos No.	Parts No	Parts Name	Qty	Unit	Technical Data	Serial No (Start)	Serial No (End)	Rema
1	42971031001	SUPPORT ASSY (LEFT)	1					
2	42971032001	SUPPORT ASSY (RIGHT)	1					
3	42739880400	BLOCK,WOOD (FOR SLOPES)	2					
4	82401800080	PLUG (FOR M8)	2					

AT-80-3 42006340800 LOWER, ISUZU BKG-NKR85AN-EE5AHY-M
PX1351056-00 BOX, TOOL (LEFT/INNER SHELF)



A-A

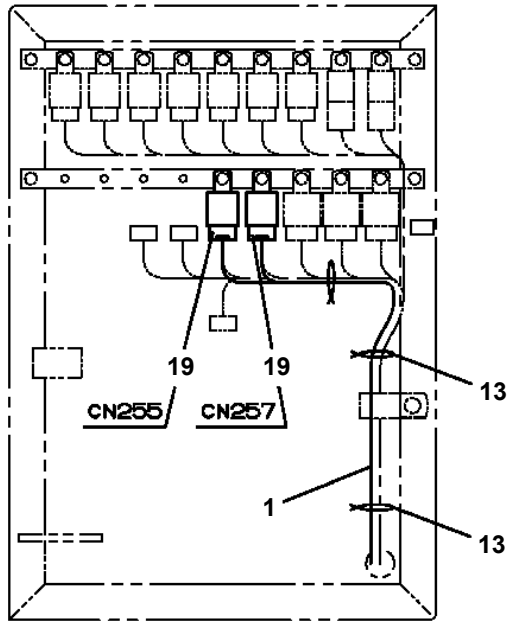


B

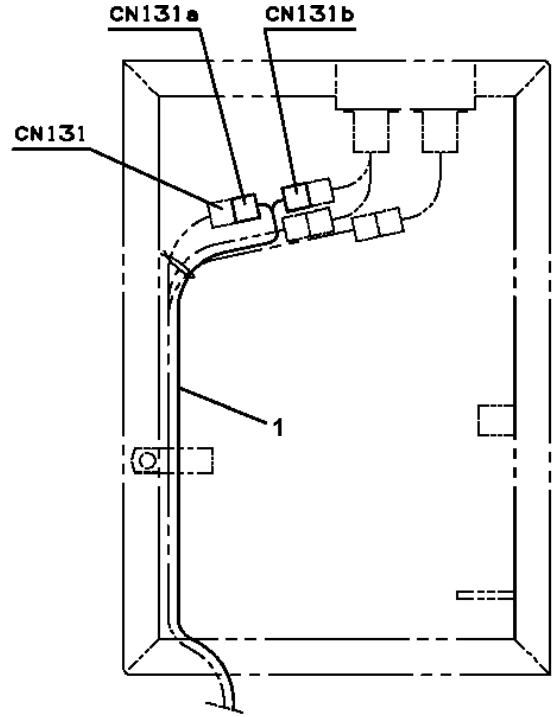
AT-80-3 42006340800 LOWER,ISUZU BKG-NKR85AN-EE5AHY-M

Pos No.	Parts No	Parts Name	Qty	Unit	Technical Data	Serial No (Start)	Serial No (End)	Remarks	Pages
1	37001601660	NUT	2		M14/B=41				
2	37000513890	PLATE	2		T=3.2				

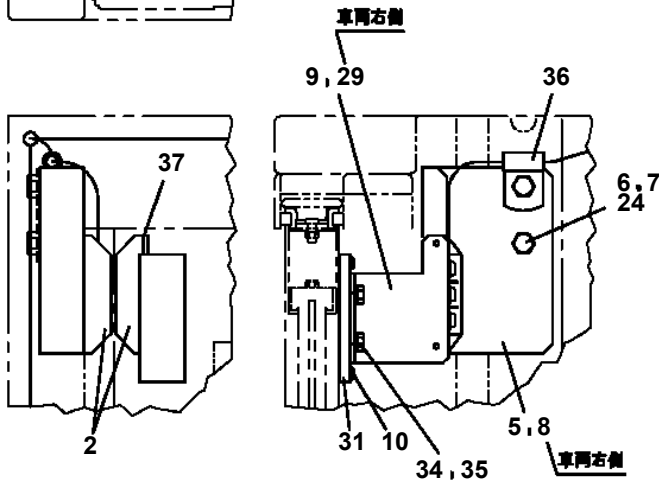
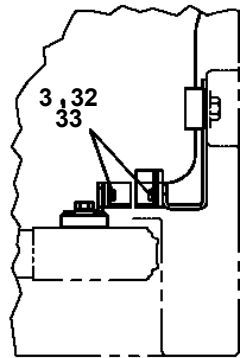
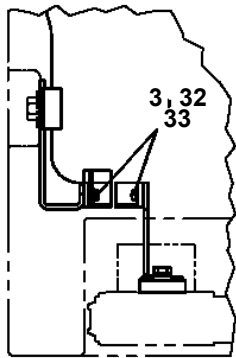
**AT-80-3 42006340800 LOWER, ISUZU BKG-NKR85AN-EE5AHY-M
 PY1130029-01 INTERLOCK (TOOL BOX UNCLOSED/MITSUBISHI)**



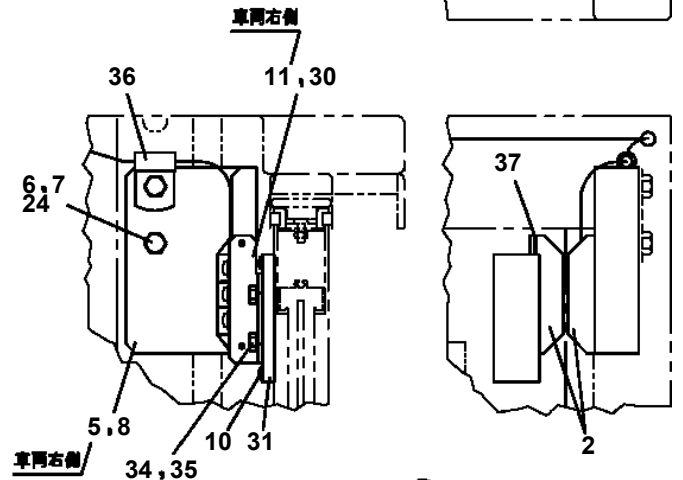
D



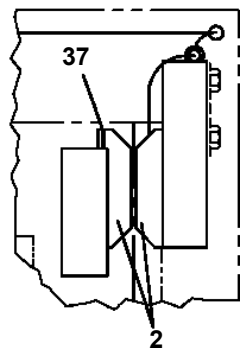
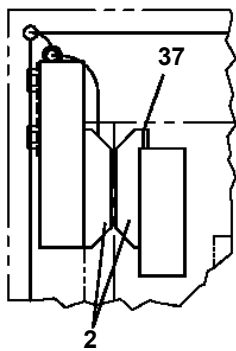
J



A



B



CLICK HERE TO **DOWNLOAD** THE COMPLETE MANUAL

- Thank you very much for reading the preview of the manual.
- You can download the complete manual from: www.heydownloads.com by clicking the link below



- Please note: If there is no response to CLICKING the link, please download this PDF first and then click on it.

CLICK HERE TO **DOWNLOAD** THE COMPLETE MANUAL