

AT-80-1 42006121100 LOWER,MITSUBISHI KK-FG50EB1A1

PB3000071-00 POWER UNIT
PO1000149-00 INDICATION PLATES
PX2000035-01 CARRIER UNIT
PX3000039-01 MOUNTING UNIT
PY1000542-02 OPTIONS
ASSEMBLY

CLICK HERE TO **DOWNLOAD** THE COMPLETE MANUAL

- Thank you very much for reading the preview of the manual.
- You can download the complete manual from: www.heydownloads.com by clicking the link below



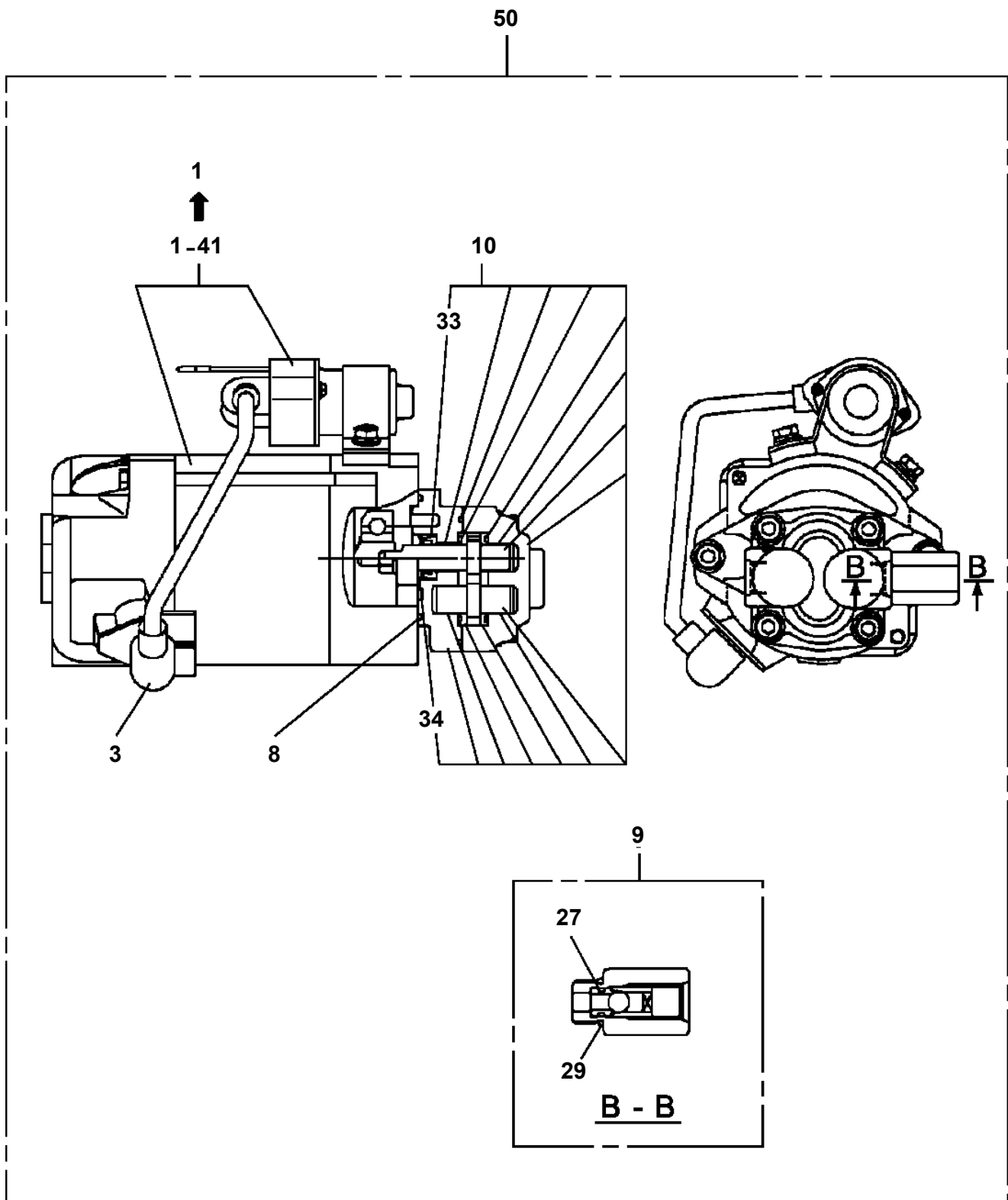
- Please note: If there is no response to CLICKING the link, please download this PDF first and then click on it.

CLICK HERE TO **DOWNLOAD** THE COMPLETE MANUAL

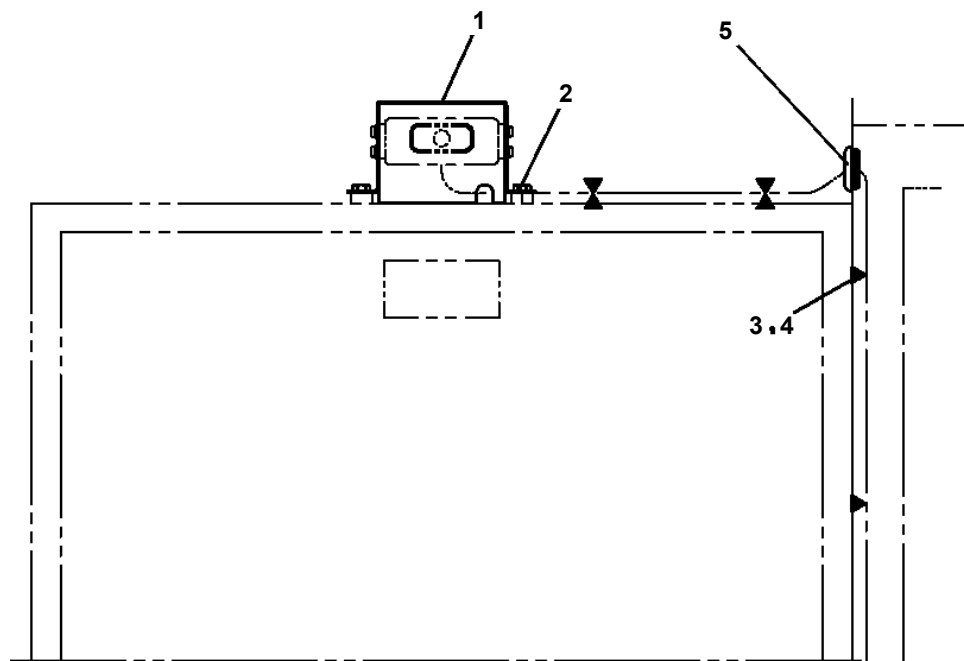
AT-80-1 42006121100 LOWER,MITSUBISHI KK-FG50EB1A1

Pos No.	Parts No	Parts Name	Qty	Unit	Technical Data	Serial No (Start)	Serial No (End)
1	(*****)	BOX, TOOL (LEFT)	1				
2	(*****)	BOX, TOOL (RIGHT)	1				
3	(*****)	COVER (FOR NTT/EMERGENCY STOP SW)	1			HH5015	
4	(*****)	ELEC.ASSY	1				

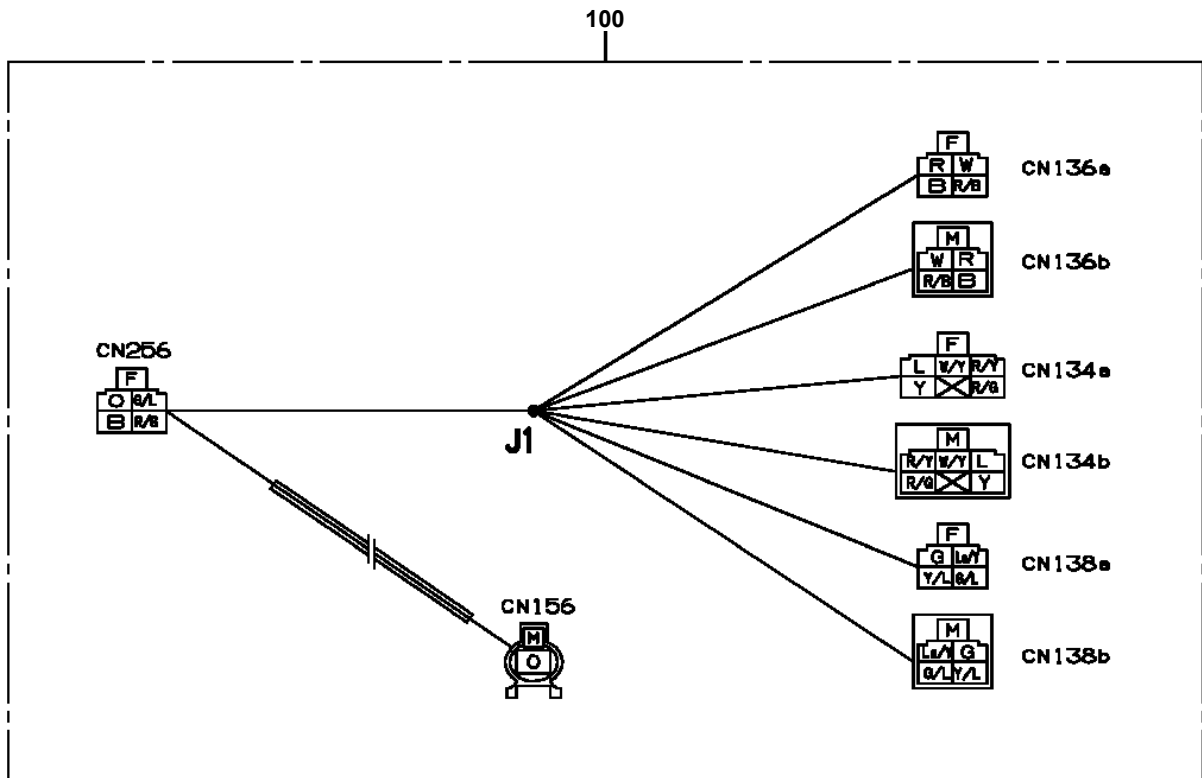
AT-80-1 42006121100 LOWER, MITSUBISHI KK-FG50EB1A1
PB1100101-02 PUMP, HYDRAULIC (EMERGENCY)



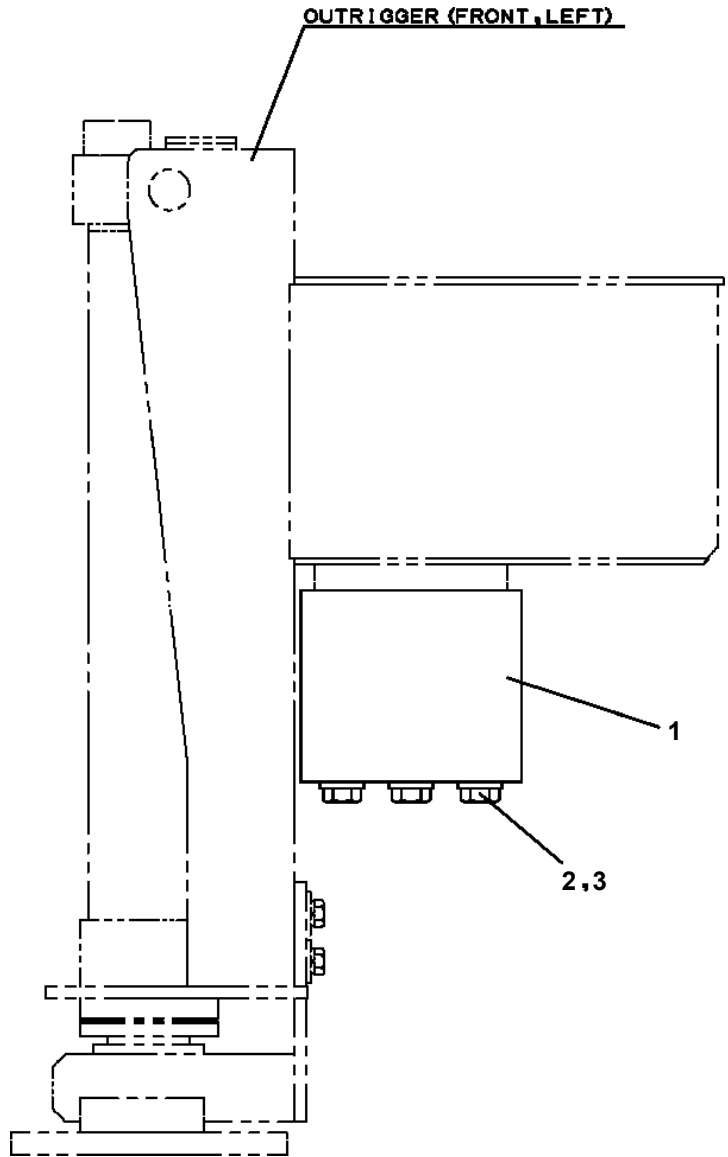
**AT-80-1 42006121100 LOWER, MITSUBISHI KK-FG50EB1A1
PH1700132-00 VIEW SYSTEM (CAMERA)**



AT-80-1 42006121100 LOWER,MITSUBISHI KK-FG50EB1A1
 PH5033109-00 HARNESS



**AT-80-1 42006121100 LOWER, MITSUBISHI KK-FG50EB1A1
PK1230022-00 WEIGHT**



AT-80-1 42006121100 LOWER,MITSUBISHI KK-FG50EB1A1

Pos No.	Parts No	Parts Name	Qty	Unit	Technical Data	Serial No (Start)	Serial No (End)	Remarks
1	42933020100	HARNESS	1					
2	82100000191	TERMINAL	4					
3	82100000183	INSULATOR	4					
4	82100000192	TERMINAL	5					
5	82100000182	INSULATOR	5					
6	91810132530	FASTENER	15					
7	82154201010	METER,HOUR	1					
8	42933020200	SUPPORT	1					
9	82121102020	HOLDER	4					
10	82114101020	CONNECTOR (2P,MALE)	2					
11	82121101085	PLUG (AVS0.85)	8					
12	82111101010	TERMINAL	4					
13	82114102020	CONNECTOR	2					
14	82111101510	TERMINAL	4					
15	90101206016	BOLT	2		M6X16			
16	90303070601	WASHER,PLAIN	2		6			
17	90280200600	NUT,FLANGE	2		M6			
18	82182809623	DIODE	1					
19	82100002597	RELAY	2					
20	91850400601	CLAMP	1					
21	42650860050	CABLE ASSY	1		L=1500			
22	42650680600	CAP	1					
23	37002707890	CABLE	1		L=550			
24	90303070801	WASHER,PLAIN	1		8			
25	90280200800	NUT,FLANGE	1		M8			

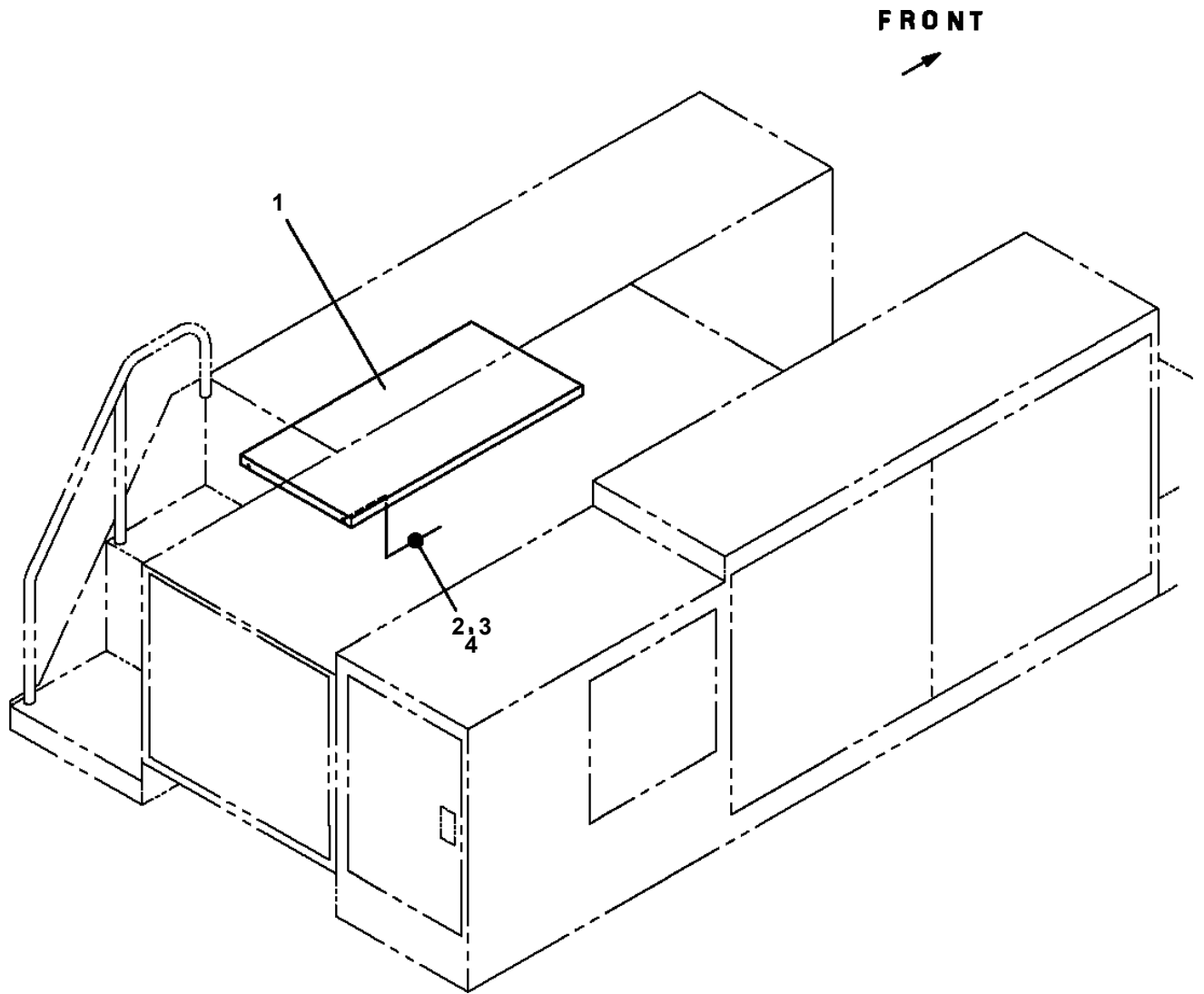
AT-80-1 42006121100 LOWER,MITSUBISHI KK-FG50EB1A1

Pos No.	Parts No	Parts Name	Qty	Unit	Technical Data	Serial No (Start)	Serial No (End)	Remarks	Pages
1	42863040100	FRAME	1						
2	42862740200	SUPPORT	4						
3	37000555820	PLATE	24						
4	42862740300	SUPPORT	2						

AT-80-1 42006121100 LOWER,MITSUBISHI KK-FG50EB1A1

Pos No.	Parts No	Parts Name	Qty	Unit	Technical Data	Serial No (Start)	Serial No (End)	Remarks	Pages
1	42895870101	SUPPORT	1						
2	42895870201	SUPPORT	1						
3	90171108020	BOLT	8		M8X20				
4	90302040801	WASHER,SPRING	10		8				
5	90303070801	WASHER,PLAIN	10		8				
6	90171108012	BOLT	2		M8X12				
7	42895870300	SUPPORT	1						
8	90180210015	BOLT,BUTTON	4		M10X15				
9	90302041001	WASHER,SPRING	4		10				

**AT-80-1 42006121100 LOWER, MITSUBISHI KK-FG50EB1A1
PX1350513-00 BOX, TOOL (LEFT)**



CLICK HERE TO **DOWNLOAD** THE COMPLETE MANUAL

- Thank you very much for reading the preview of the manual.
- You can download the complete manual from: www.heydownloads.com by clicking the link below



- Please note: If there is no response to CLICKING the link, please download this PDF first and then click on it.

CLICK HERE TO **DOWNLOAD** THE COMPLETE MANUAL