

AT-320-1 43012140400 LOWER,ISUZU 2RG-FTR90U2-PCYH-M

PB3000278-00 POWER UNIT

PO1000171-00 INDICATION PLATES

PX2001898-00 CARRIER UNIT

PX3000930-00 MOUNTING UNIT

PY1001608-01 OPTIONS

ASSEMBLY

CLICK HERE TO **DOWNLOAD** THE COMPLETE MANUAL

- Thank you very much for reading the preview of the manual.
- You can download the complete manual from: www.heydownloads.com by clicking the link below



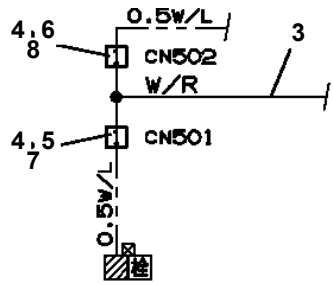
- Please note: If there is no response to CLICKING the link, please download this PDF first and then click on it.

CLICK HERE TO **DOWNLOAD** THE COMPLETE MANUAL

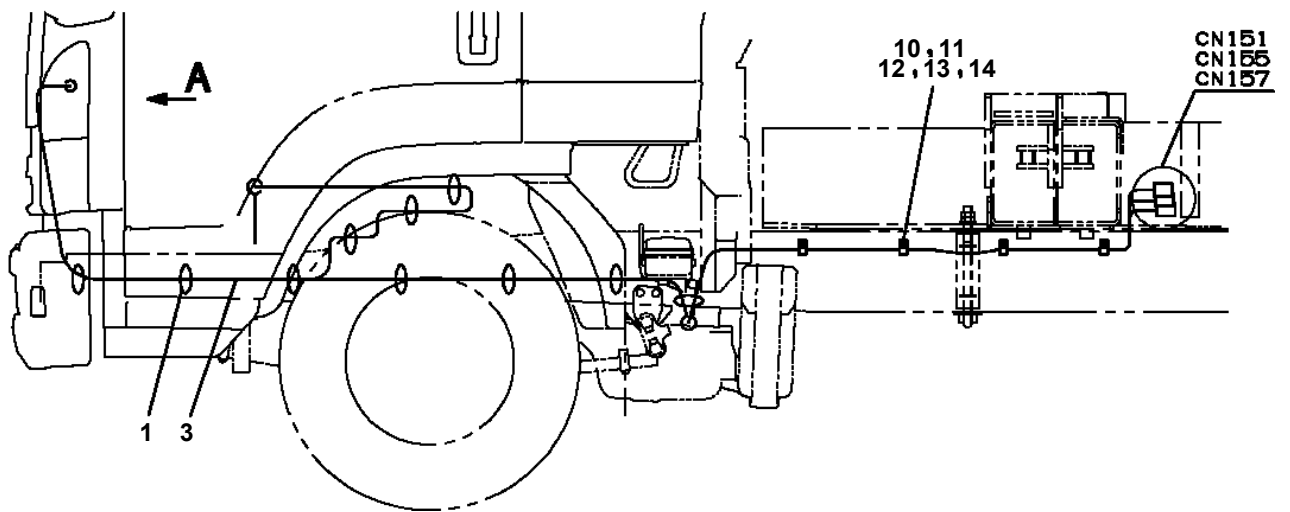
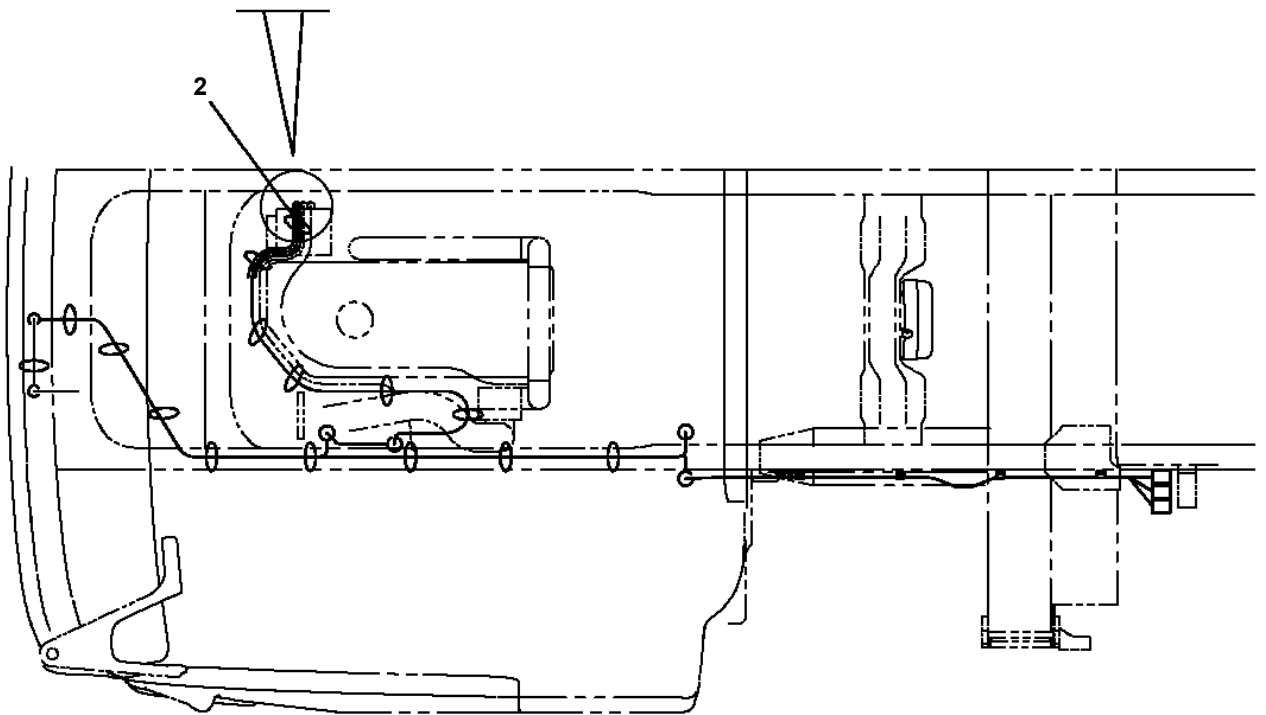
AT-320-1 43012140400 LOWER,ISUZU 2RG-FTR90U2-PCYH-M

Pos No.	Parts No	Parts Name	Qty	Unit	Technical Data	Serial No (Start)	Serial No (End)	Rem
1	(*****)	ALARM SYSTEM	1					
2	(*****)	ALARM ASSY	1					
3	(*****)	MOUNT ASSY (LOAD-CARRYING)	1					
4	(*****)	ELEC.ASSY	1					

AT-320-1 43012140400 LOWER,ISUZU 2RG-FTR90U2-PCYH-M
 PE5070159-00 ELEC.ASSY,CARRIER



ACジェネレータ
 (エンジン回転中検出)



AT-320-1 43012140400 LOWER,ISUZU 2RG-FTR90U2-PCYH-M

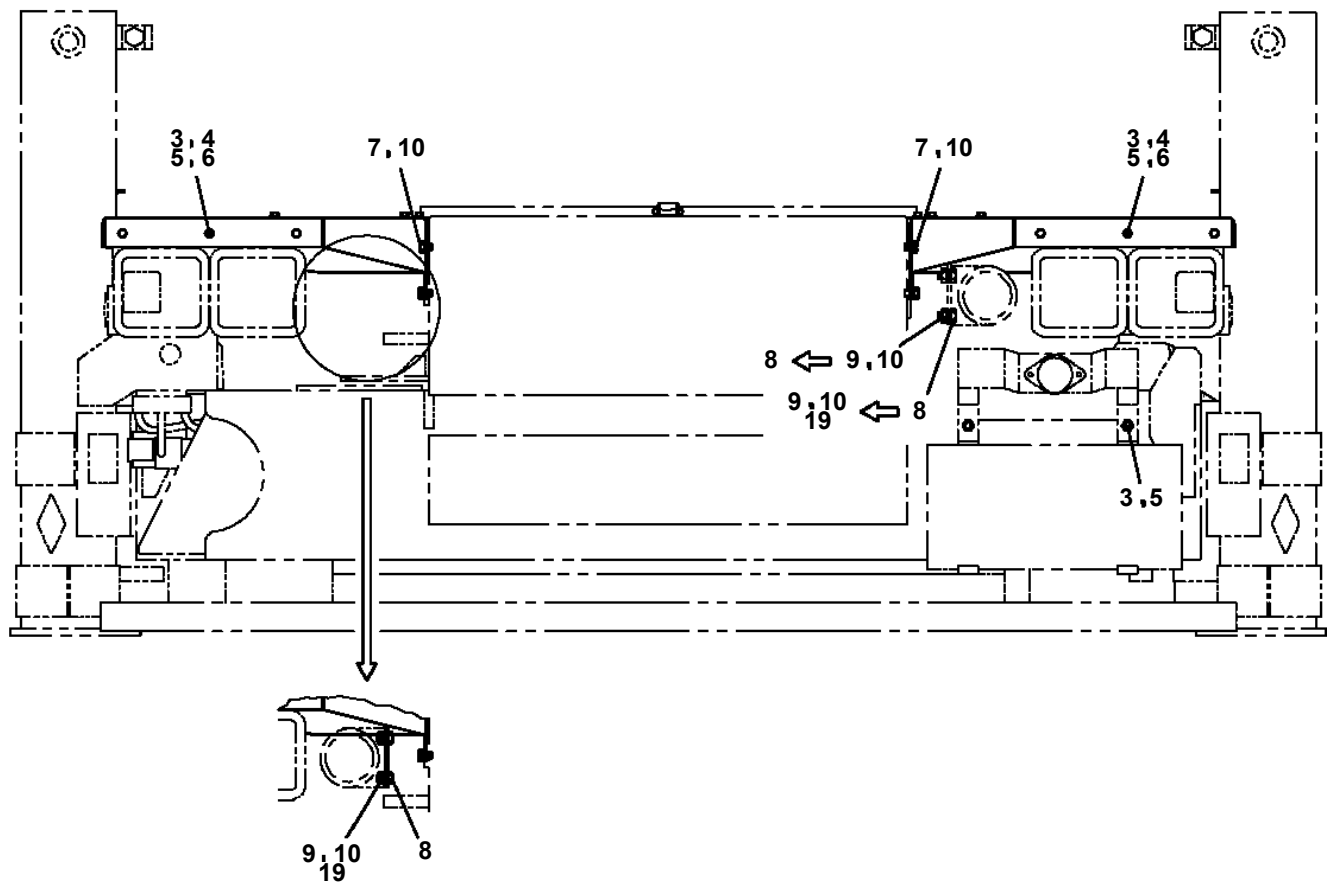
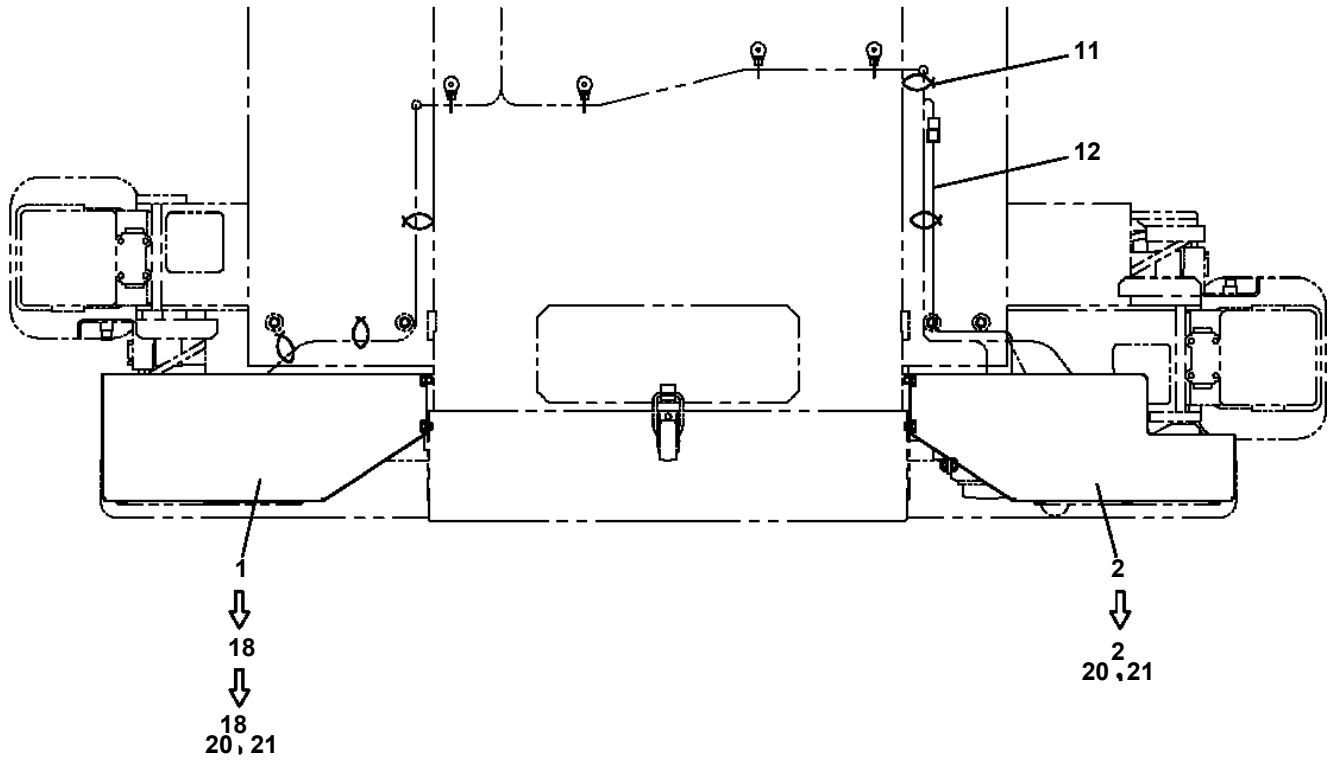
Pos No.	Parts No	Parts Name	Qty	Unit	Technical Data	Serial No (Start)	Serial No (End)	Remarks	Pages
20	82182819823	DIODE	1		1.5A				
100	42937680100	HARNESS	1						

AT-320-1 43012140400 LOWER,ISUZU 2RG-FTR90U2-PCYH-M

Pos No.	Parts No	Parts Name	Qty	Unit	Technical Data	Serial No (Start)	Serial No (End)	Remarks	Page
1	42971433100	HARNESS	1						0000
2	82100001801	TUBE,CORRUGATE	1	M	7				

AT-320-1 43012140400 LOWER,ISUZU 2RG-FTR90U2-PCYH-M
PX1310359-02 MOUNT,LAMP (TAIL)

FRONT
↑



AT-320-1 43012140400 LOWER,ISUZU 2RG-FTR90U2-PCYH-M

Pos No.	Parts No	Parts Name	Qty	Unit	Technical Data	Serial No (Start)	Serial No (End)	Remarks	Pages
1	42972280100	GUARD	1						
2	37000549740	PLATE	6						
3	37000578740	PLATE	6		T=1.6				
4	90302040801	WASHER,SPRING	6		8				
5	90201200800	NUT	6		M8				
6	90101208020	BOLT	6		M8X20				

AT-320-1 43012140400 LOWER,ISUZU 2RG-FTR90U2-PCYH-M

Pos No.	Parts No	Parts Name	Qty	Unit	Technical Data	Serial No (Start)	Serial No (End)	Remark
1	36653330000	PUMP,HYDRAULIC (52CC:L)	1					
2	90172110035	BOLT,HEXAGON SOCKET	2		M10X35			
3	90302041001	WASHER,SPRING	2		10			
4	90303071001	WASHER,PLAIN	2		10			

CLICK HERE TO **DOWNLOAD** THE COMPLETE MANUAL

- Thank you very much for reading the preview of the manual.
- You can download the complete manual from: www.heydownloads.com by clicking the link below



- Please note: If there is no response to CLICKING the link, please download this PDF first and then click on it.

CLICK HERE TO **DOWNLOAD** THE COMPLETE MANUAL