

AT-270-2 42083241400 LOWER,ISUZU FRR90SL-JAS

PB3000275-00 POWER UNIT
PO1000131-03 INDICATION PLATES
PX2001501-00 CARRIER UNIT
PX3000814-00 MOUNTING UNIT
PY5000002-00 LOWER OPTIONS
ASSEMBLY

CLICK HERE TO **DOWNLOAD** THE COMPLETE MANUAL

- Thank you very much for reading the preview of the manual.
- You can download the complete manual from: www.heydownloads.com by clicking the link below



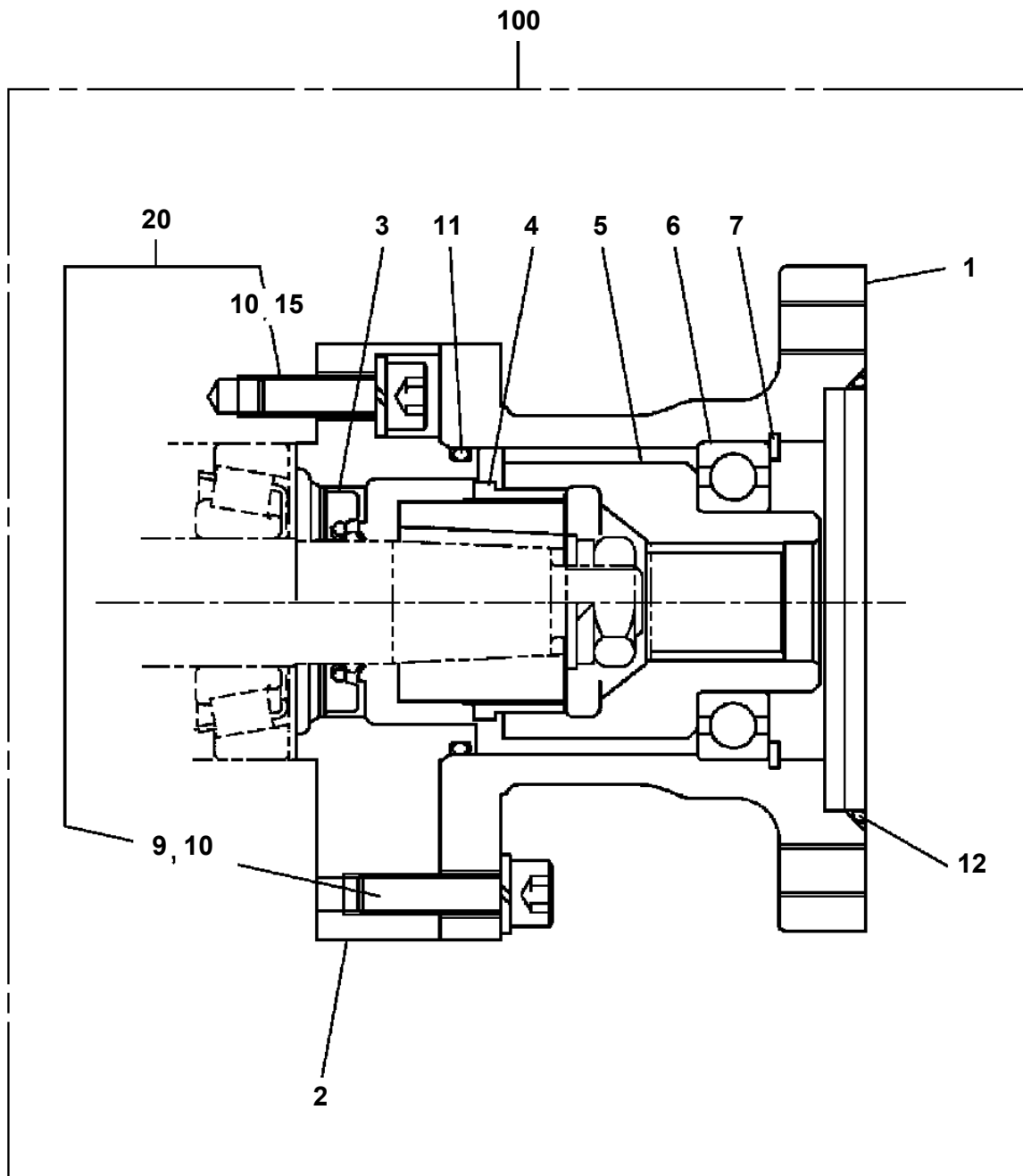
- Please note: If there is no response to CLICKING the link, please download this PDF first and then click on it.

CLICK HERE TO **DOWNLOAD** THE COMPLETE MANUAL

AT-270-2 42083241400 LOWER,ISUZU FRR90SL-JAS

Pos No.	Parts No	Parts Name	Qty	Unit	Technical Data	Serial No (Start)	Serial N
1	(*****)	NAME PLATE ASSY (VIN NO.)	1				
2	42652131350	CONTROLLER (AC2/ADJUSTING PUMP REV.)	1				
3	(*****)	LOAD HANDING ASSY (EXP.)	1				

AT-270-2 42083241400 LOWER, ISUZU FRR90SL-JAS
PC5530006-00 COUPLING ASSY



AT-270-2 42083241400 LOWER,ISUZU FRR90SL-JAS

Pos No.	Parts No	Parts Name	Qty	Unit	Technical Data	Serial No (Start)	Serial No (End)	Remarks	Pages
1	42970270100	SUPPORT	1						
2	42970270200	LIFTING DEVICE	1						
3	42970270300	ROPE,WIRE	4		18X4.5M				
4	83152812600	SHACKLE	8						
5	83152813000	SHACKLE	2						

AT-270-2 42083241400 LOWER,ISUZU FRR90SL-JAS

Pos No.	Parts No	Parts Name	Qty	Unit	Technical Data	Serial No (Start)	Serial No (End)	Remarks
8	36642935040	RING	4					
11	36640085025	SPRING	2					
104	36642935050	PLUG	1					
109	36642935060	O-RING	2					
115	90131505050	BOLT,HEXAGON SOCKET	4		M5X50			
156	36602555010	O-RING	1					
157	36646085031	SOLENOID	1					
159	36649855100	O-RING	1					
160	36640085015	RETAINER	2					
163	36647895010	PROTECTOR	1					
200	36645900000	VALVE,SOLENOID	1					

AT-270-2 42083241400 LOWER,ISUZU FRR90SL-JAS

Pos No.	Parts No	Parts Name	Qty	Unit	Technical Data	Serial No (Start)	Serial M
2	42652137510	POTENTIOMETER	1				
3	42652137520	KNOB	1				
4	42652137530	SWITCH,TOGGLE	1				
5	42652137540	SWITCH,TOGGLE	2				
100	42652131350	CONTROLLER (AC2/ADJUSTING PUMP REV.)	1				

AT-270-2 42083241400 LOWER,ISUZU FRR90SL-JAS

Pos No.	Parts No	Parts Name	Qty	Unit	Technical Data	Serial No (Start)	Serial No (End)	Remarks
2	80400160129	JOINT	1					
3	90302040801	WASHER,SPRING	10		8			
4	91002802900	O-RING	3		1B P29			
5	42645120100	JOINT	1					
6	80302090241	FITTING	1		KCO18-040N			
7	91002801800	O-RING	3		1B P18			
8	90101208014	BOLT	4		M8X14			
9	36672280000	FILTER,OIL (YAMASHIN)	1					
10	42642770900	JOINT	1					
11	37002407740	HOSE	1		L=450			
12	42642560100	JOINT	1					
13	37000917480	JOINT	1		S G1/4-G3/8			
14	91002801100	O-RING	1		1B P11			
16	42643920100	JOINT	1					
17	42645250100	FITTING,FLANGE	1					
18	36625510000	VALVE,CHECK	1					
	36625520000	VALVE,CHECK	1					
20	42640150060	JOINT	1					
21	91002801400	O-RING	3		1B P14			
22	37002502430	HOSE	1		L=400			
23	91803600350	CLIP	4		D=25-35			
25	91002904500	O-RING	1		1B G45			
26	90101208016	BOLT	4		M8X16			
27	37002511160	HOSE	1		L=460			
28	91803600250	CLIP	4		D=18-25			
29	80320030140	FITTING,ELBOW	1		KLE18-040N			
30	37002504250	HOSE	1		L=425			
31	91803600400	CLIP	4		D=27-40			
32	37002401320	HOSE	1		L=1850			
33	80302090181	FITTING	1		KCO15-030N			
34	36645900000	VALVE,SOLENOID	1					
35	90101208060	BOLT	2		M8X60			
36	80302090201	FITTING	1		KCO15-040N			
37	81408000210	PIPE,STEEL	1	M	15X2.0T			
38	80303130181	FITTING,ELBOW	2		KLO15-030E			
39	81408000210	PIPE,STEEL	1	M	15X2.0T			
40	42643770400	FITTING,FLANGE	1					
41	37002502740	HOSE	1		L=1800			
42	91803600550	CLIP	4		D=40-55			
43	42645230100	SUPPORT	1					
44	37000601600	CLAMP	2		WR54			
45	82100002015	CLAMP	2		WRC20			
46	90201200800	NUT	2		M8			
47	42645230200	SUPPORT	1					
48	90101208025	BOLT	2		M8X25			
49	82100001806	TUBE,CORRUGATE	1	M	22			
50	91810130240	FASTENER	2					
71	91002801400	O-RING	2		1B P14			

AT-270-2 42083241400 LOWER,ISUZU FRR90SL-JAS

Pos No.	Parts No	Parts Name	Qty	Unit	Technical Data	Serial No (Start)	Serial No (End)	Remarks	Pages
1	31792320000	COUPLING ASSY	1				371155		000011
	31792320001	COUPLING ASSY	1			371156			000012

CLICK HERE TO **DOWNLOAD** THE COMPLETE MANUAL

- Thank you very much for reading the preview of the manual.
- You can download the complete manual from: www.heydownloads.com by clicking the link below



- Please note: If there is no response to CLICKING the link, please download this PDF first and then click on it.

CLICK HERE TO **DOWNLOAD** THE COMPLETE MANUAL