

AT-270-2 42083240200 LOWER,ISUZU KK-NRR35G3XN

PB3000219-00 POWER UNIT
PO1000123-00 INDICATION PLATES
PX2000071-00 CARRIER UNIT
PX3000082-01 MOUNTING UNIT
ASSEMBLY

CLICK HERE TO **DOWNLOAD** THE COMPLETE MANUAL

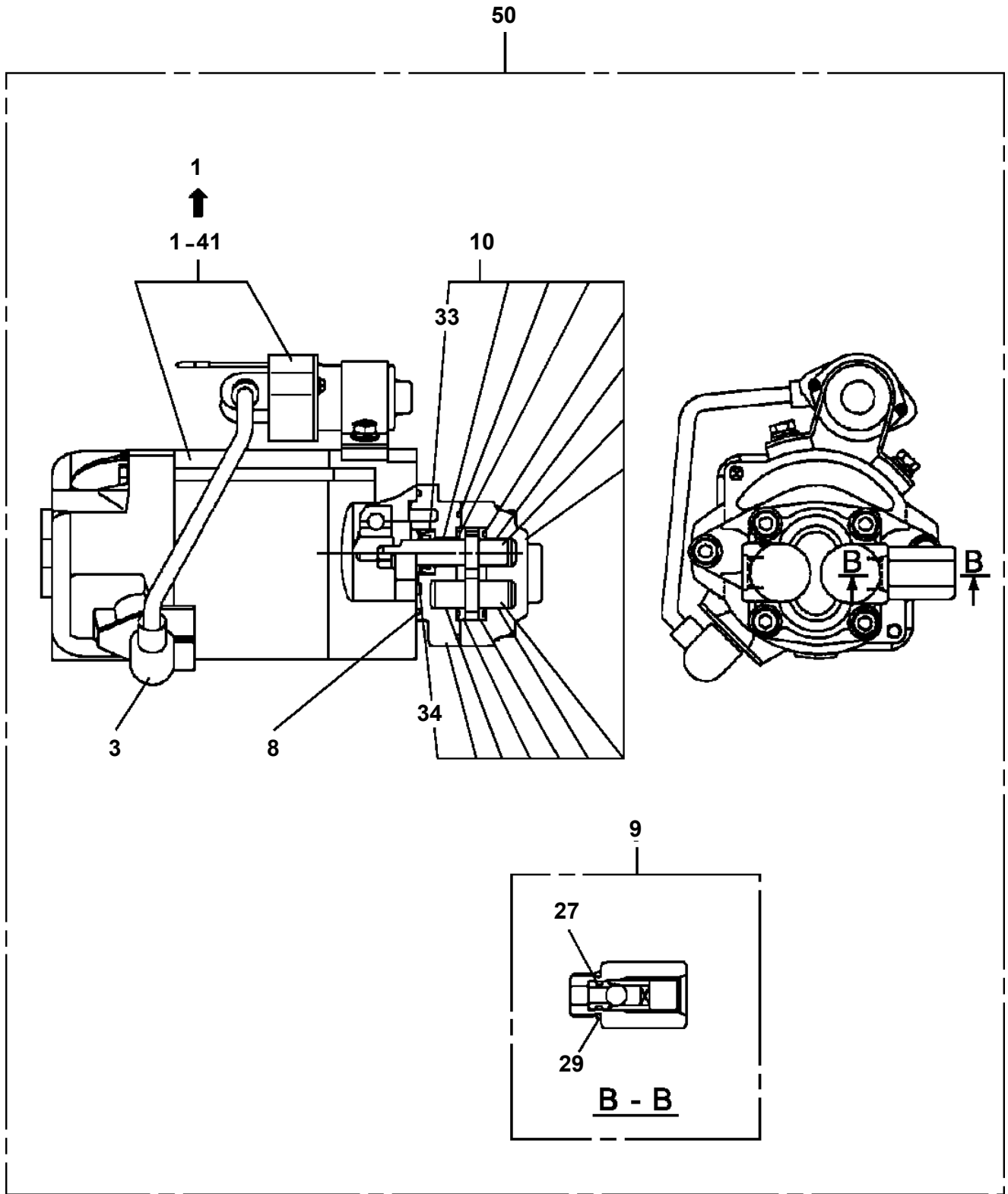
- Thank you very much for reading the preview of the manual.
- You can download the complete manual from: www.heydownloads.com by clicking the link below



- Please note: If there is no response to CLICKING the link, please download this PDF first and then click on it.

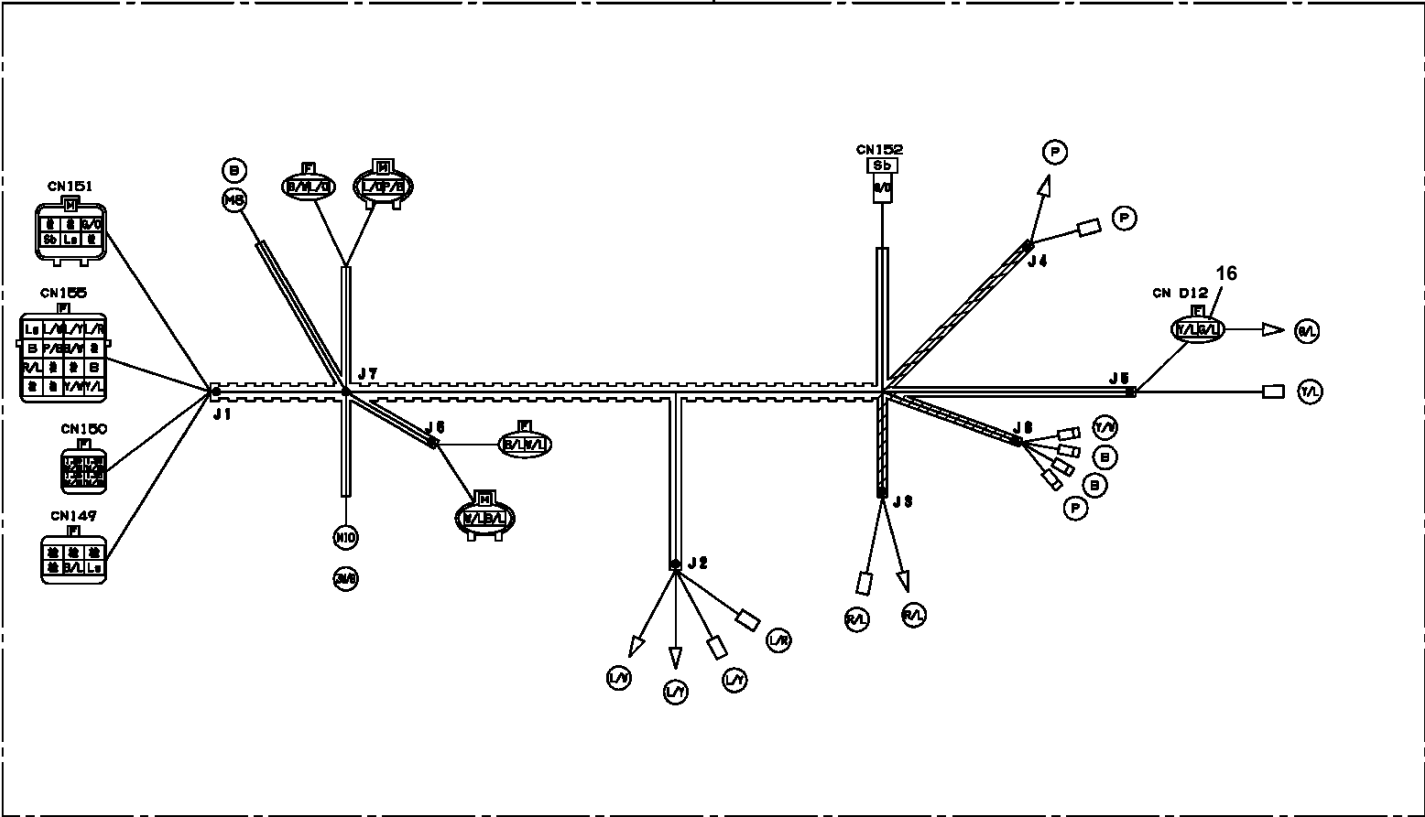
CLICK HERE TO **DOWNLOAD** THE COMPLETE MANUAL

AT-270-2 42083240200 LOWER,ISUZU KK-NRR35G3XN
PB1100101-02 PUMP,HYDRAULIC (EMERGENCY)

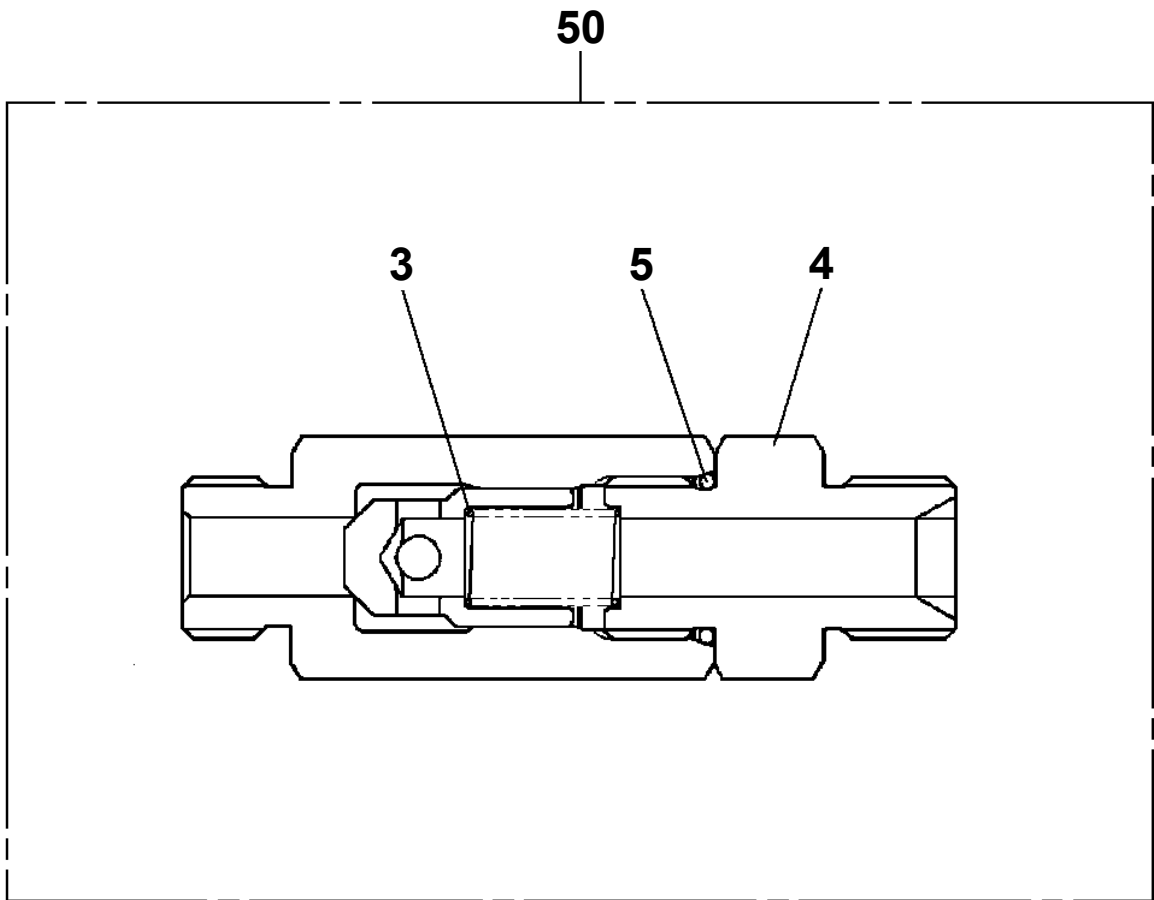


AT-270-2 42083240200 LOWER,ISUZU KK-NRR35G3XN
PH5030962-00 HARNESS

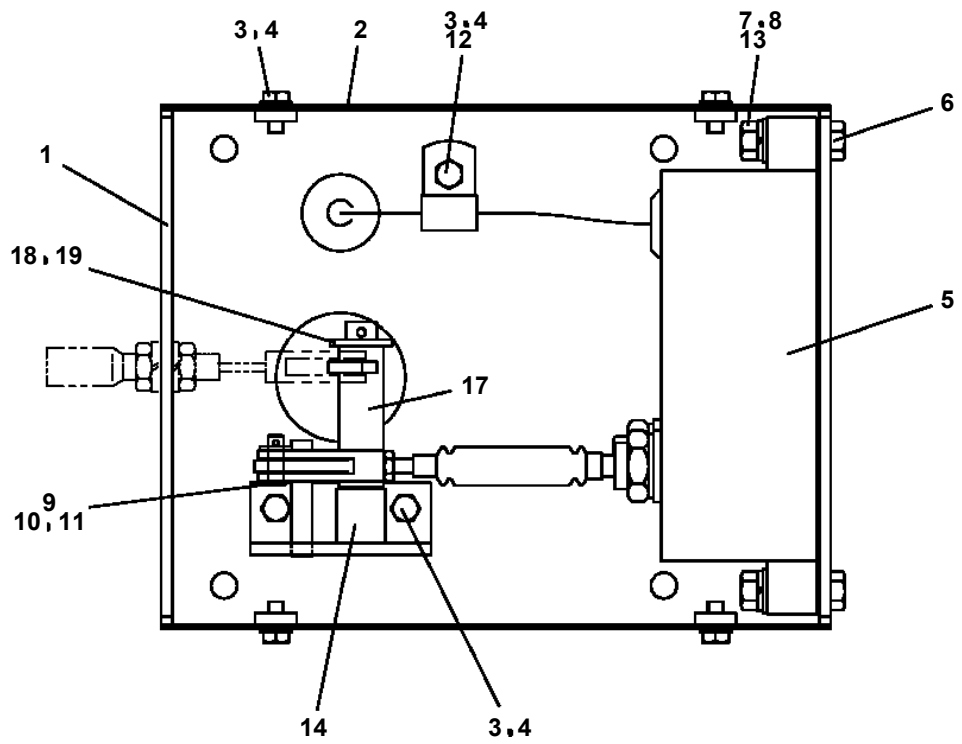
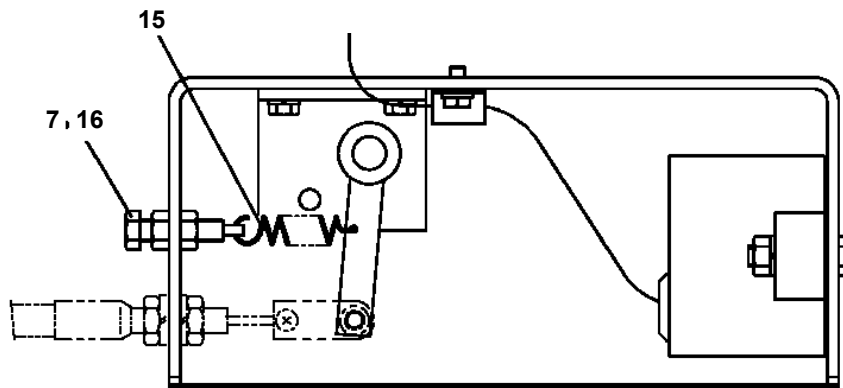
100



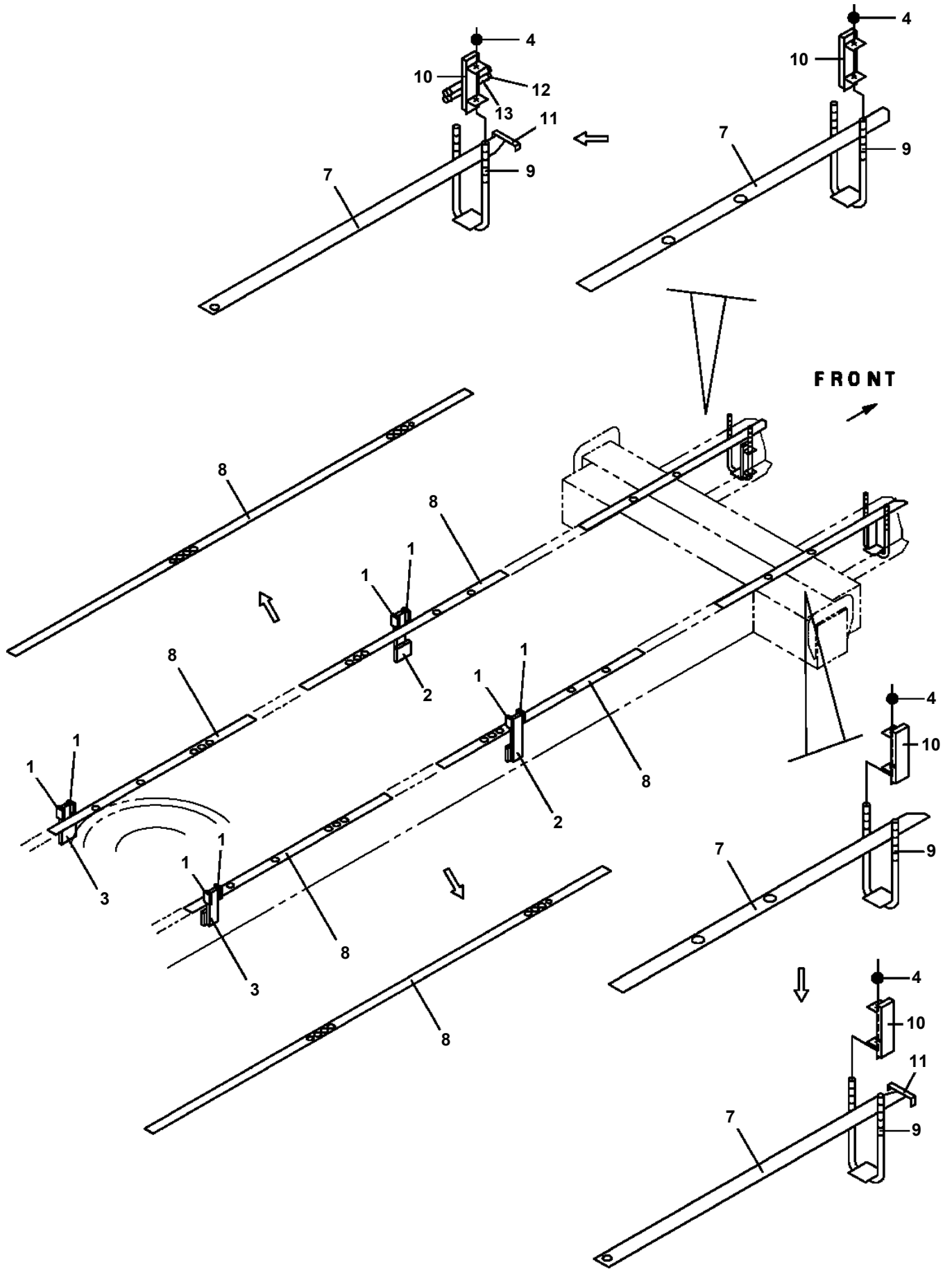
**AT-270-2 42083240200 LOWER,ISUZU KK-NRR35G3XN
PI1140188-00 VALVE,CHECK**



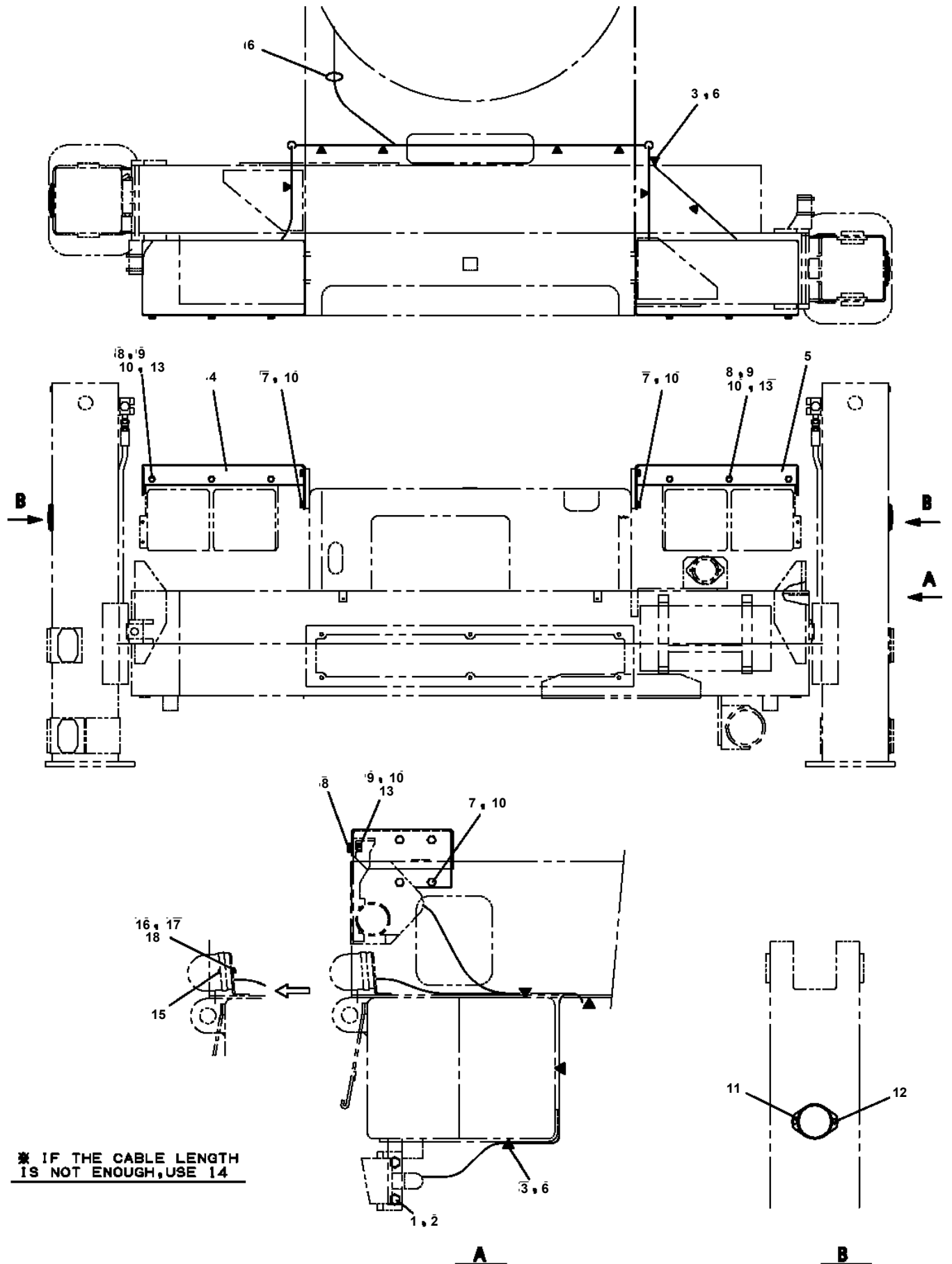
AT-270-2 42083240200 LOWER,ISUZU KK-NRR35G3XN
PN1410010-00 MOTOR,ELECTRIC



**AT-270-2 42083240200 LOWER,ISUZU KK-NRR35G3XN
PX1170476-02 ATTACHMENT PARTS, CRANE FRAME**



**AT-270-2 42083240200 LOWER,ISUZU KK-NRR35G3XN
PX1310089-02 MOUNT,LAMP (TAIL)**



*** IF THE CABLE LENGTH IS NOT ENOUGH, USE 14**

CLICK HERE TO **DOWNLOAD** THE COMPLETE MANUAL

- Thank you very much for reading the preview of the manual.
- You can download the complete manual from: www.heydownloads.com by clicking the link below



- Please note: If there is no response to CLICKING the link, please download this PDF first and then click on it.

CLICK HERE TO **DOWNLOAD** THE COMPLETE MANUAL