

## **AT-270-2 42083200020 UPPER**

PD2000050-00 SWING UNIT

PG2000064-00 BOOM UNIT

PH1000509-00 SAFETY DEVICES

PJ3000242-00 BASKET SYSTEM

PK2001284-00 FRAME UNIT

PO1000123-00 INDICATION PLATES

PW1000118-00 ACCESSORIES & TOOLS

PY1001453-05 OPTIONS,1

PY2000126-02 OPTION UNIT,2 (UPPER)

ASSEMBLY

CLICK HERE TO **DOWNLOAD** THE COMPLETE MANUAL

- Thank you very much for reading the preview of the manual.
- You can download the complete manual from: [www.heydownloads.com](http://www.heydownloads.com) by clicking the link below



- Please note: If there is no response to CLICKING the link, please download this PDF first and then click on it.

CLICK HERE TO **DOWNLOAD** THE COMPLETE MANUAL

# AT-270-2 42083200020 UPPER

Pos No.	Parts No	Parts Name	Qty	Unit	Technical Data	Serial No (Start)	Serial No (End)	Remarks	Pa
1	(***** *****)	FRAME ASSY	1				370856		000
	(***** *****)	FRAME ASSY	1			370857			000
2	(***** *****)	OUTRIGGER (FRONT)	1						000
3	(***** *****)	OUTRIGGER (REAR)	1						000
4	(***** *****)	PIPING,OUTRIGGER	1						000
5	(***** *****)	OPE.ASSY,OUTRIGGER	1						000
6	(***** *****)	ELEC.ASSY,FRAME	1						000
7	(***** *****)	TANK,OIL (MOUNT)	1						000

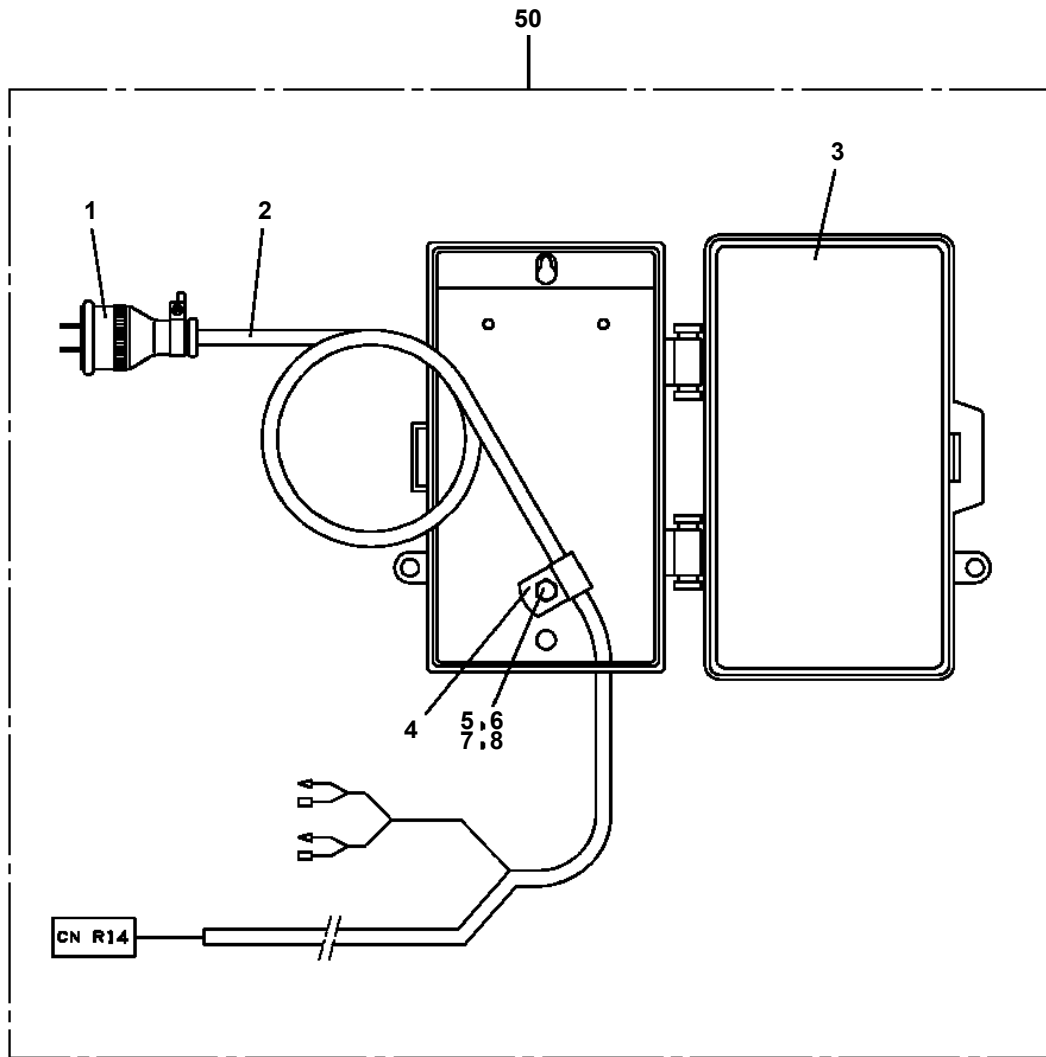
## **AT-270-2 42083200020 UPPER**

PB1130255-02 TANK,OIL (MOUNT)  
PB1130256-02 TANK,OIL  
PB1300423-00 JOINT,ROTARY (MOUNT)  
PB1300424-02 JOINT,ROTARY  
PB1320209-03 VALVE,MANUAL CONTROL (OUTRIGGER)  
PB1320319-00 VALVE,MANUAL CONTROL  
PB1400374-05 PIPING,UPPER  
PB5260033-00 BOX ASSY  
PB5260098-00 BOX ASSY  
PC1010727-03 OUTRIGGER (FRONT)  
PC1010728-04 OUTRIGGER (CASE INNER,FRONT)  
PC1010729-04 OUTRIGGER (REAR)  
PC1010730-04 OUTRIGGER (CASE INNER,REAR)  
PC1030265-07 CYLINDER,JACK  
PC1050213-02 CYLINDER,EXTENSION  
PC1100232-01 OPE.ASSY,OUTRIGGER  
PC1190054-01 INDICATOR,OUTRIGGER  
PC1200412-03 PIPING,OUTRIGGER  
PC1370028-03 DETECTOR SYSTEM, OUTRIGGER LENGTH  
PC1380016-01 DETECTOR,OUTRIGGER LENGTH  
PC5020050-00 CABLE ASSY  
PC5150003-01 CASE ASSY,INNER (REAR)  
PC5150004-01 CASE ASSY,INNER (FRONT)  
PC5150037-01 CASE ASSY,INNER (REAR,RIGHT)  
PC5150038-01 CASE ASSY,INNER (REAR,LEFT)  
PC5150070-01 CASE ASSY,INNER (FRONT)  
PC5150071-01 CASE ASSY,INNER (REAR,RIGHT)  
PC5150072-02 CASE ASSY,INNER (REAR,LEFT)  
PC5150119-01 CASE ASSY,INNER (FRONT)  
PC5150120-01 CASE ASSY,INNER (REAR,RIGHT)  
PC5150121-01 CASE ASSY,INNER (REAR,LEFT)  
PC5570166-00 COVER ASSY  
PC6400010-00 CYLINDER ASSY,LEVELING (UPPER)  
PC6400011-00 CYLINDER ASSY,LEVELING (UPPER)  
PD1010159-00 REDUCER,SWING SPEED  
PD1010170-01 REDUCER,SWING SPEED (MOUNT)  
PE1010354-02 CYLINDER,ELEVATING  
PE1050016-07 CYLINDER,LEVELING (UPPER)  
PE1050085-06 CYLINDER,LEVELING (LOWER)  
PE5110002-04 ELEC.ASSY,FRAME  
PE5190024-02 ELEC.ASSY,SWING FRAME  
PF5100016-03 FRAME ASSY  
PF5100017-04 FRAME ASSY  
PF5190001-00 FALL ARREST SYSTEM (TB-LSA-550/FUJII-DENKO)  
PG1010917-02 BOOM  
PG1050355-02 CYLINDER,TELESCOPING  
PG1130136-00 DETECTOR,BOOM LENGTH  
PG1220120-00 PIPING,BOOM (TOP-2ND)  
PG1220149-01 PIPING,BOOM (2ND-BASE)  
PG5200055-00 GUARD ASSY  
PH1140035-00 DETECTOR,SWING ANGLE  
PH1480044-00 MOTION CONTROLLER (AMC)  
PH1540034-03 FOOT SWITCH  
PH5030016-00 HARNESS  
PH5030121-00 HARNESS  
PH5030225-00 HARNESS  
PH5030226-00 HARNESS  
PH5030227-00 HARNESS  
PH5030346-00 HARNESS  
PH5030810-00 HARNESS (DETECTOR,ANGLE)  
PH5030971-01 HARNESS  
PH5031233-00 HARNESS  
PH5031298-00 HARNESS (WITH SWITCH)  
PH5031369-00 HARNESS

# AT-270-2 42083200020 UPPER

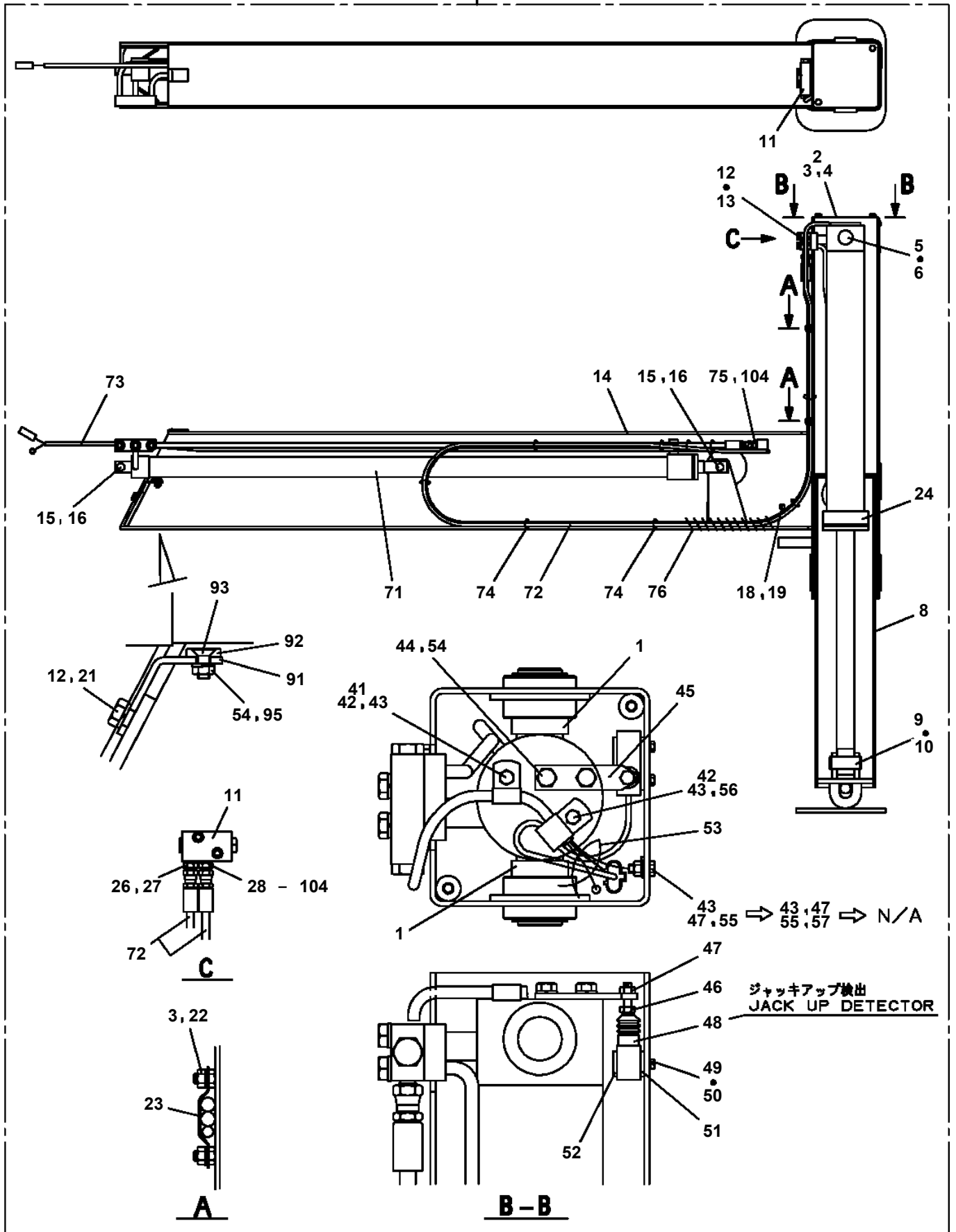
Pos No.	Parts No	Parts Name	Qty	Unit	Technical Data	Serial No (Start)	Serial No (End)	Remarks	P
2	42630731001	BRUSH,ROTARY JOINT	1						
3	90101208040	BOLT	3		M8X40				
4	90302040801	WASHER,SPRING	3		8				
5	80728105020	PIN,SPRING (DACRO)	1		5X20				
6	42630760100	COVER	1						
7	42630760200	SPACER	1		L=13				
21	53154004000	BUSH (THRUST)	1						
22	42630571100	BODY	1						
23	42630551200	CORE	1						
24	91531211000	PACKING	2						
25	91100211000	SEAL,RING	2						
26	82456101000	NIPPLE,GREASE	1		A-PT1/8				
27	82400000459	CAP	1						
100	42630730001	JOINT,ROTARY	1				371485		

**AT-270-2 42083200020 UPPER  
PB5260033-00 BOX ASSY**

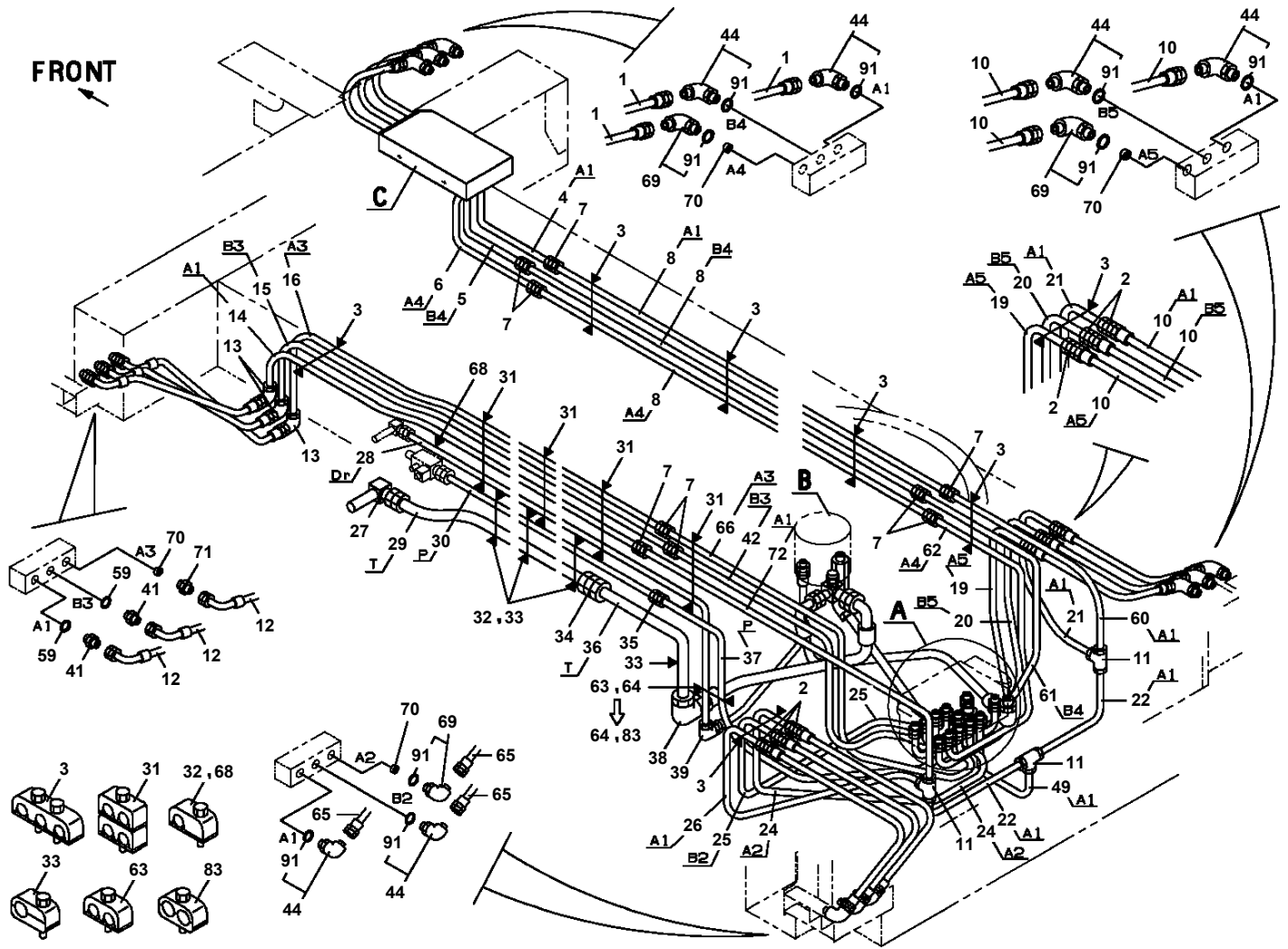


AT-270-2 42083200020 UPPER  
 PC1010730-04 OUTRIGGER (CASE INNER,REAR)

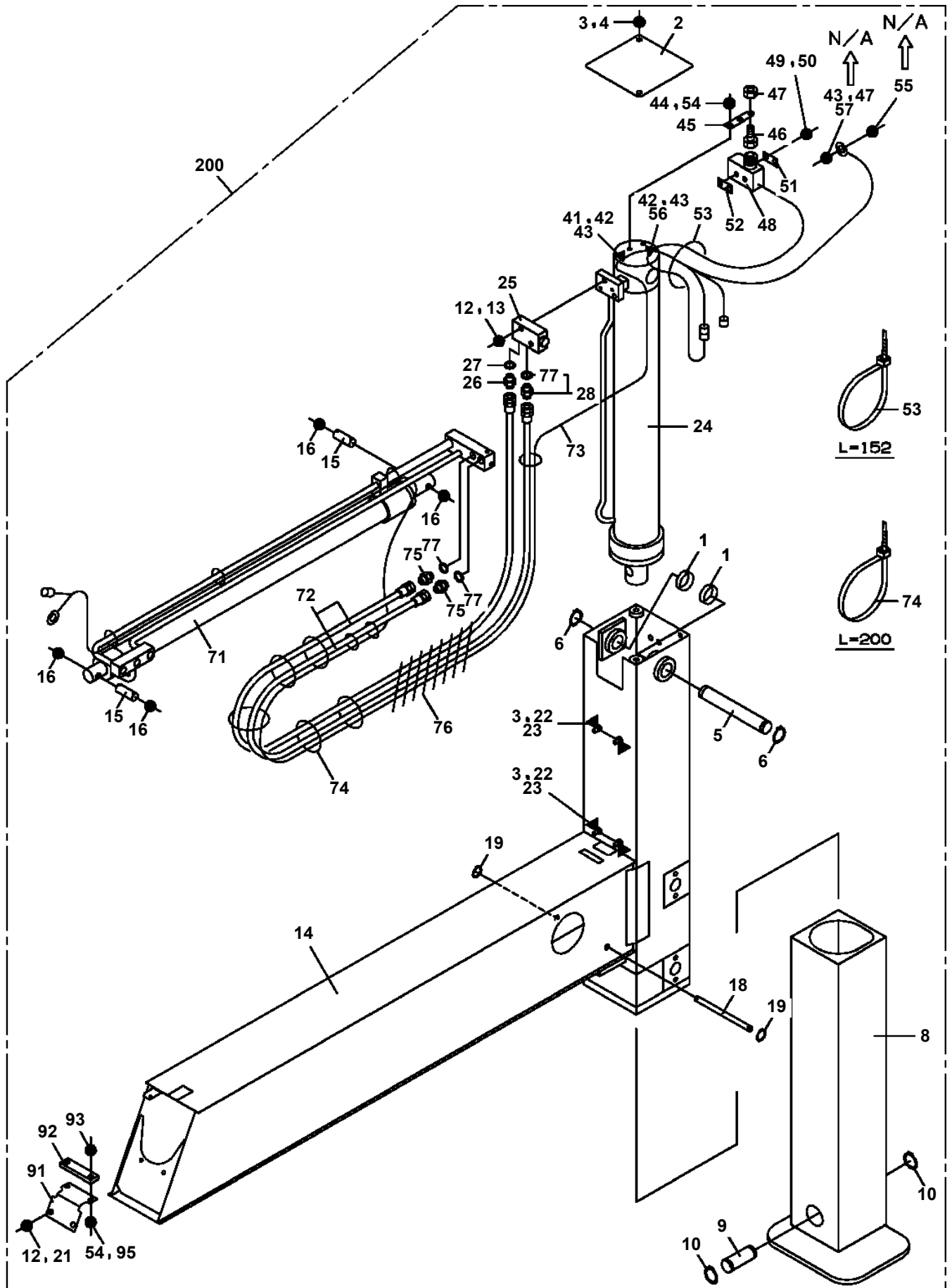
150



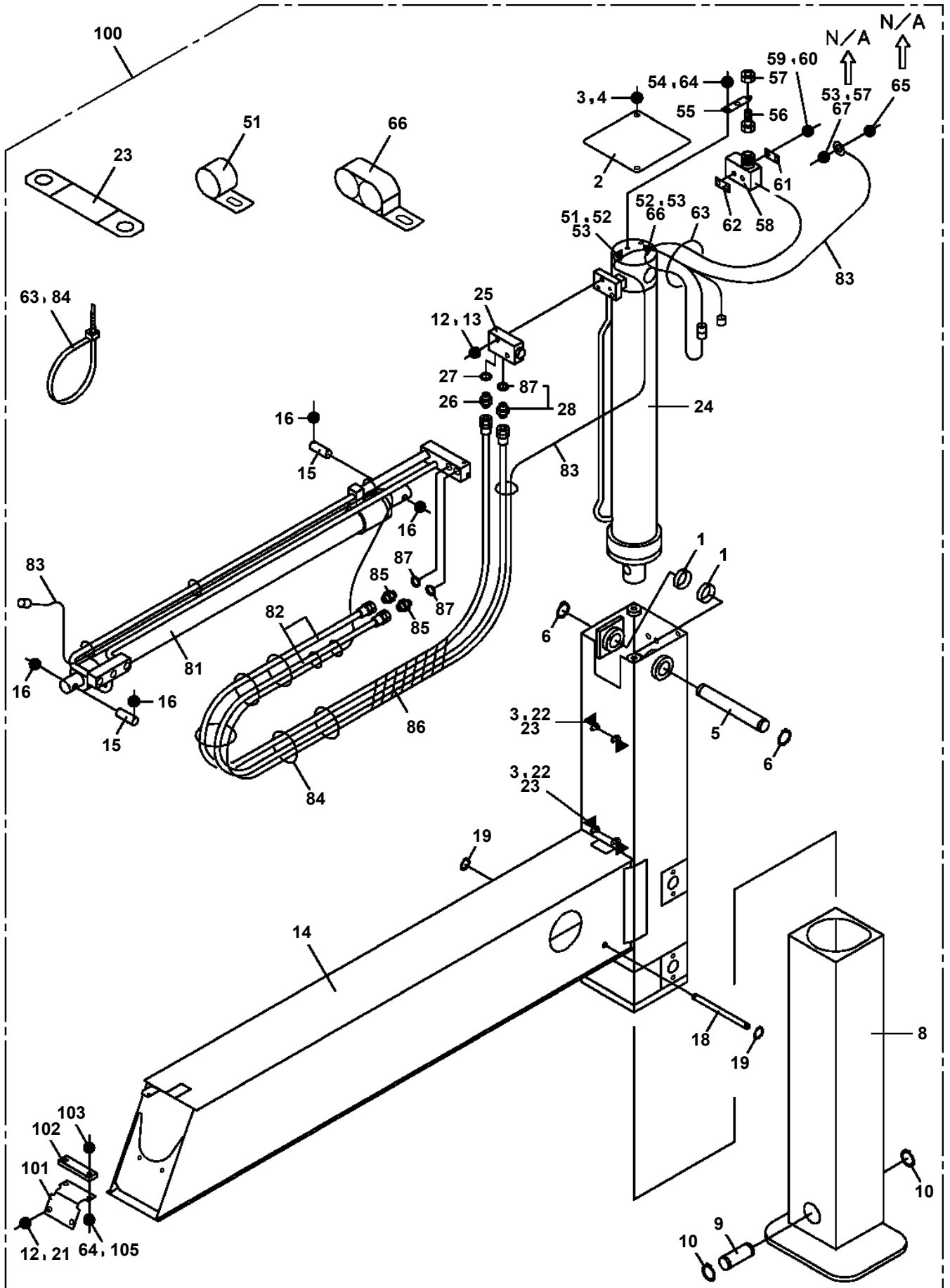
# AT-270-2 42083200020 UPPER PC1200412-03 PIPING,OUTRIGGER



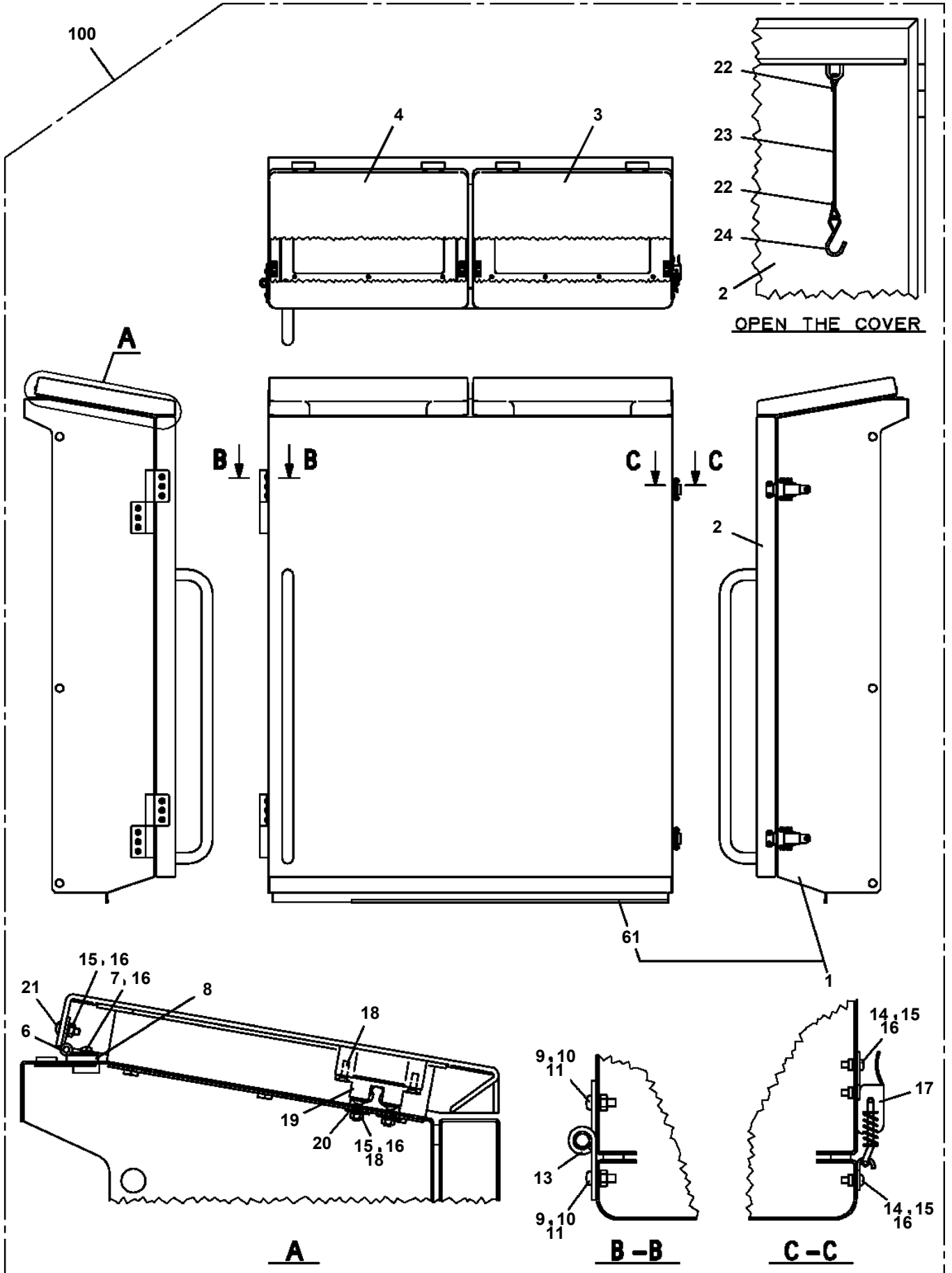
AT-270-2 42083200020 UPPER  
PC5150003-01 CASE ASSY,INNER (REAR)



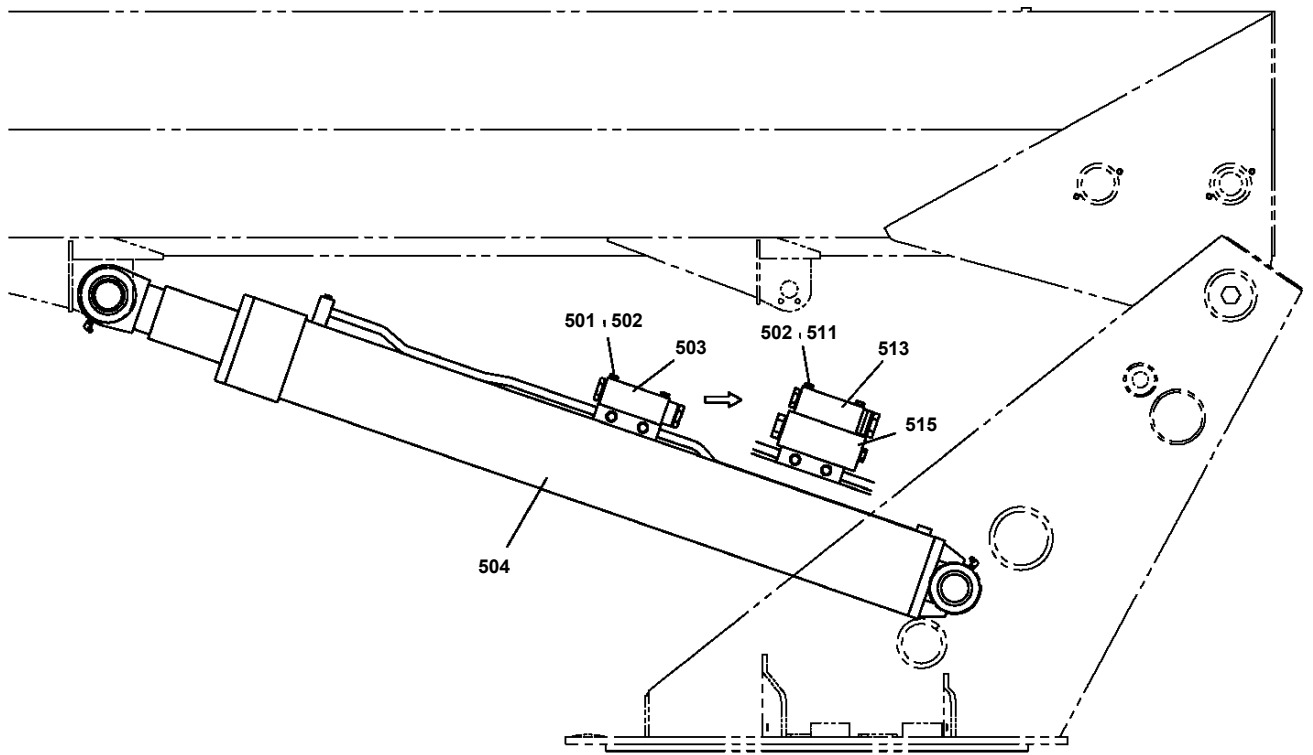
AT-270-2 42083200020 UPPER  
PC5150071-01 CASE ASSY, INNER (REAR, RIGHT)



**AT-270-2 42083200020 UPPER  
PC5570166-00 COVER ASSY**

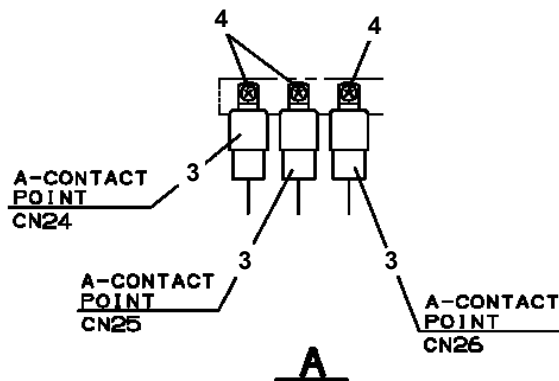
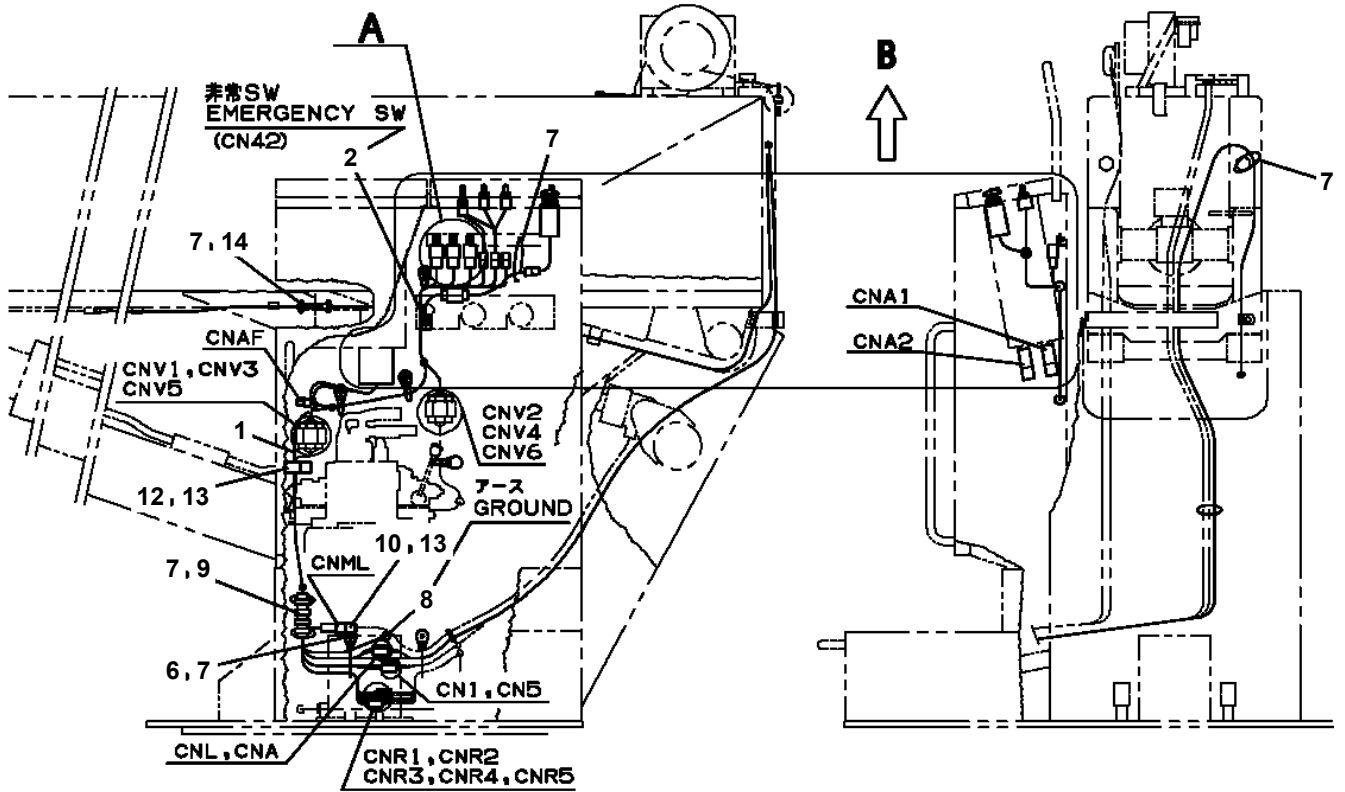
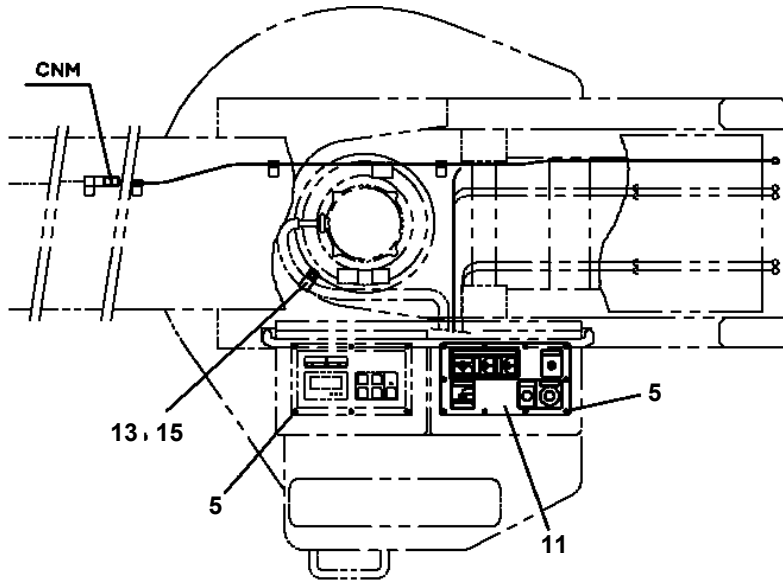


AT-270-2 42083200020 UPPER  
PE1010354-02 CYLINDER,ELEVATING

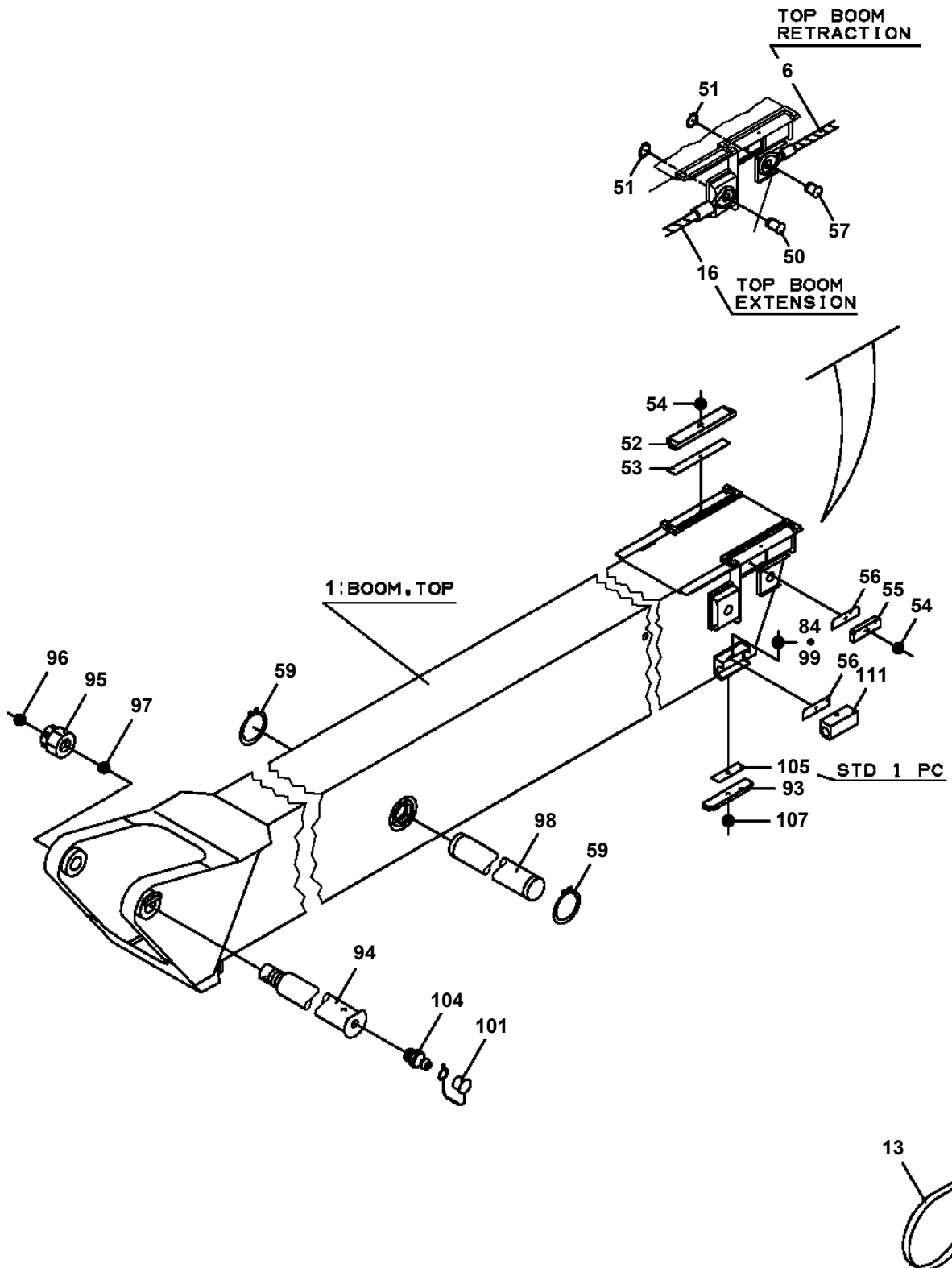


展開図有  
ILLUSTRATED BREAKDOWN NO. 504.

**AT-270-2 42083200020 UPPER  
PE5190024-02 ELEC.ASSY, SWING FRAME**

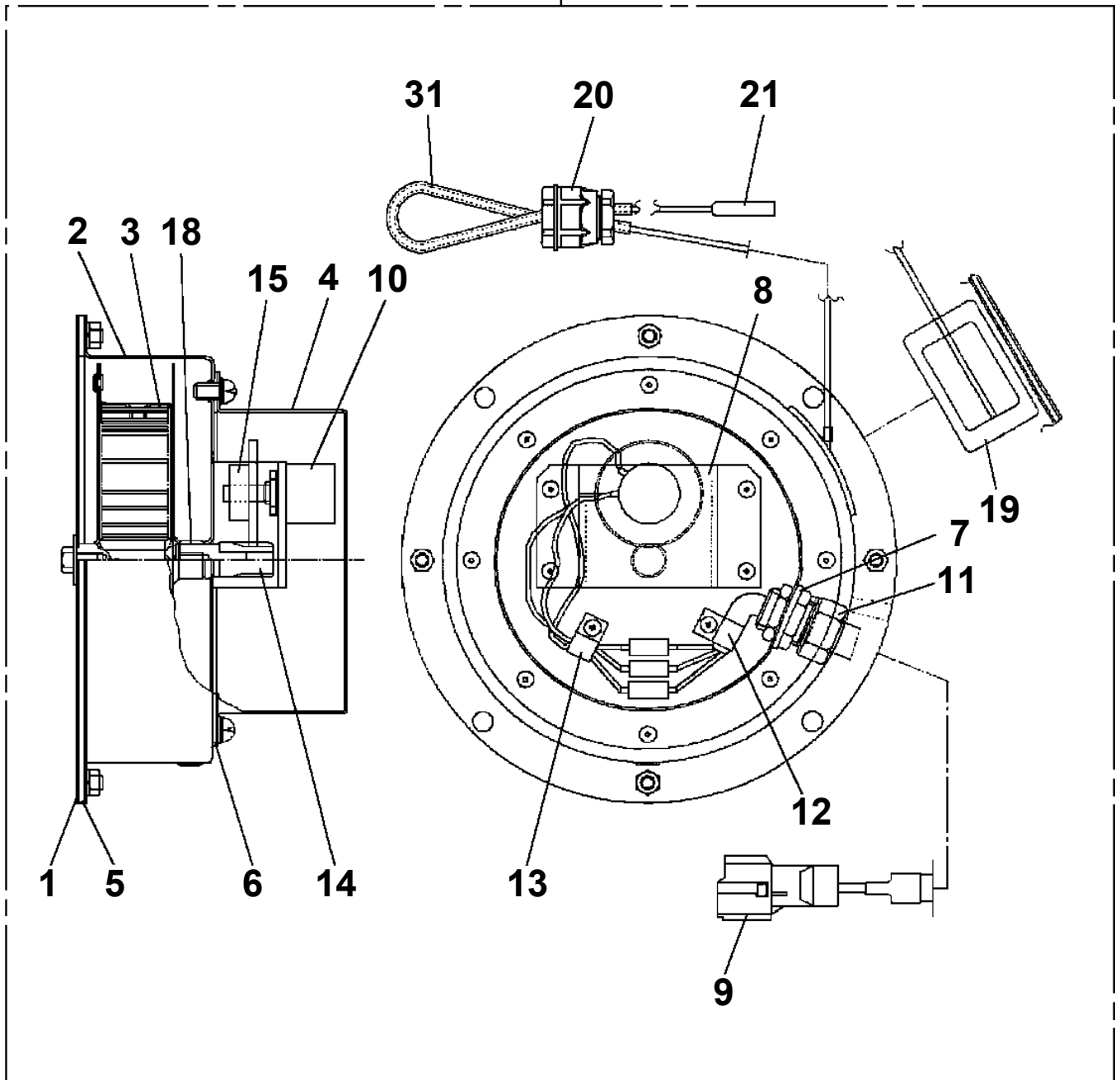


AT-270-2 42083200020 UPPER  
PG1010917-02 BOOM



AT-270-2 42083200020 UPPER  
PG1130136-00 DETECTOR,BOOM LENGTH

100



# AT-270-2 42083200020 UPPER

Pos No.	Parts No	Parts Name	Qty	Unit	Technical Data	Serial No (Start)	Serial No (End)	Rem
1	42353001010	PLATE	1					
2	42353001020	SUPPORT	1					
3	42353001030	COVER	1					
4	42353001400	HARNES (DETECTOR,ANGLE)	1					
5	90740004080	SCREW	2		M4X8			
6	80172304010	SCREW,MACHINE	3		M4X10			
7	90302040401	WASHER,SPRING	3		4			
8	80172303006	SCREW,MACHINE	3		M3X6			
9	90302040301	WASHER,SPRING	3		3			
10	90101206010	BOLT	4		M6X1.0			
11	90302040601	WASHER,SPRING	4		6			
12	82100002002	CLAMP	1		WR6			

# AT-270-2 42083200020 UPPER

Pos No.	Parts No	Parts Name	Qty	Unit	Technical Data	Serial No (Start)	Serial No (End)	Remarks	Pages
1	42651540100	HARNESS	1						

# AT-270-2 42083200020 UPPER

Pos No.	Parts No	Parts Name	Qty	Unit	Technical Data	Serial No (Start)	Serial No (End)	Remarks	Pages
9	82100001839	FUSE	1		10A.RED				
	82100001839	FUSE	1		10A.RED				
10	42477650020	COVER	1		T=0.5				
	42477650020	COVER	1		T=0.5				
100	42477650010	HARNESS	1						
	42477650010	HARNESS	1						

# AT-270-2 42083200020 UPPER

Pos No.	Parts No	Parts Name	Qty	Unit	Technical Data	Serial No (Start)	Serial No (End)	Remarks	Pages
100	42354630030	HARNESS	1						

# AT-270-2 42083200020 UPPER

Pos No.	Parts No	Parts Name	Qty	Unit	Technical Data	Serial No (Start)	Serial No (End)	Remarks	Pages
7	82182819823	DIODE	3		1.5A				
100	42354630031	HARNESS	1						

CLICK HERE TO **DOWNLOAD** THE COMPLETE MANUAL

- Thank you very much for reading the preview of the manual.
- You can download the complete manual from: [www.heydownloads.com](http://www.heydownloads.com) by clicking the link below



- Please note: If there is no response to CLICKING the link, please download this PDF first and then click on it.

CLICK HERE TO **DOWNLOAD** THE COMPLETE MANUAL

# AT-270-2 42083200020 UPPER

Pos No.	Parts No	Parts Name	Qty	Unit	Technical Data	Serial No (Start)	Serial No (End)	Remarks	Pages
100	42354550100	HARNESS	1						

# AT-270-2 42083200020 UPPER

Pos No.	Parts No	Parts Name	Qty	Unit	Technical Data	Serial No (Start)	Serial No (End)	Remarks	Pages
100	42507901100	HARNESS	1						

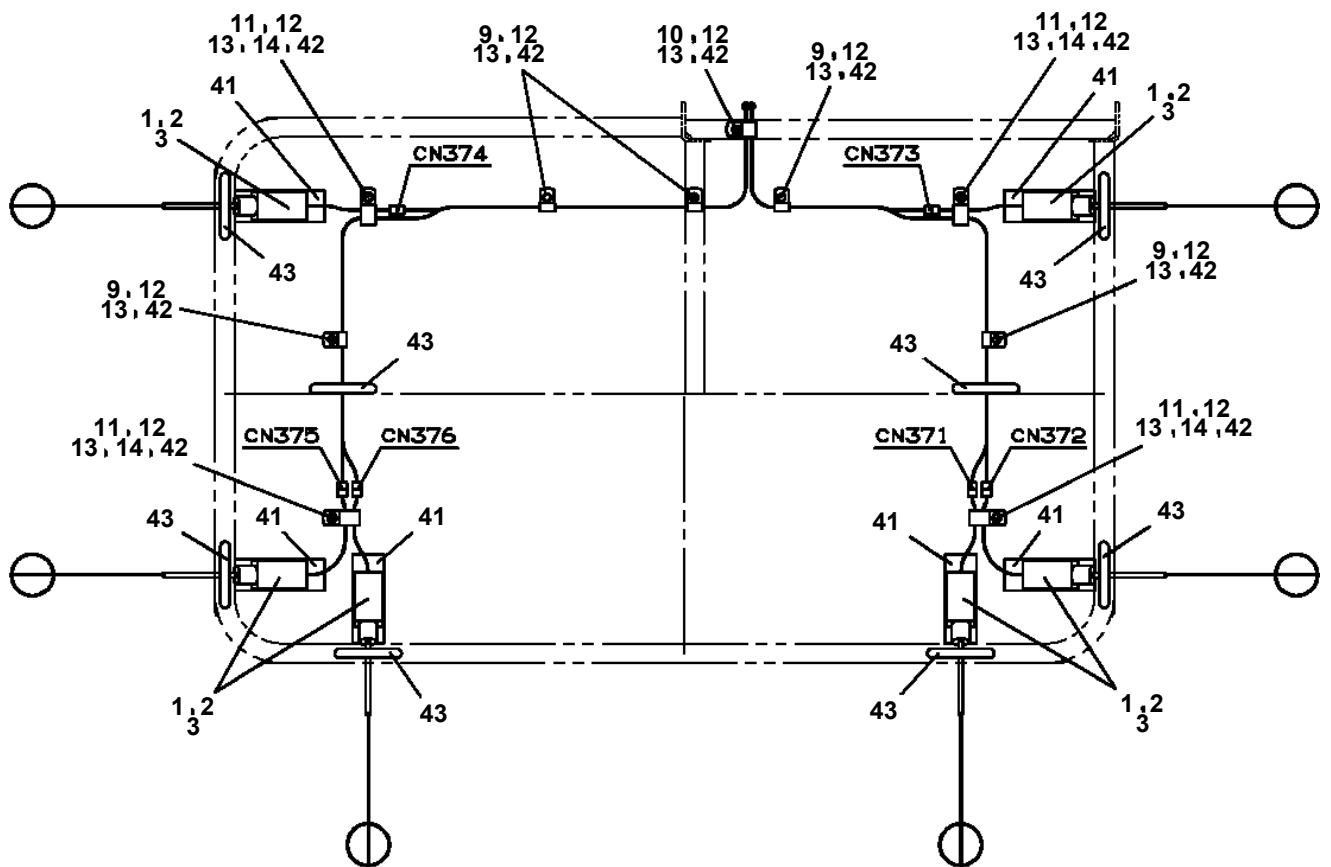
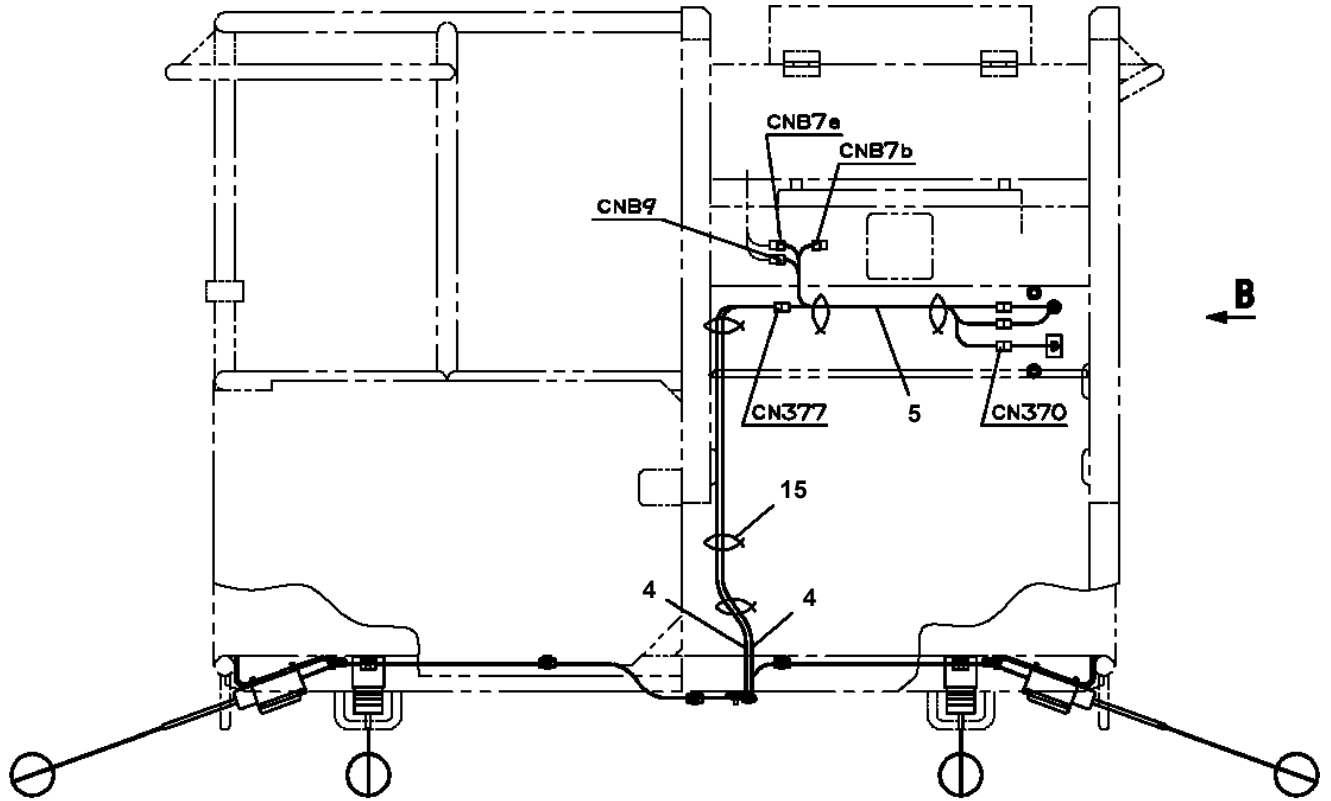
# AT-270-2 42083200020 UPPER

Pos No.	Parts No	Parts Name	Qty	Unit	Technical Data	Serial No (Start)	Serial No (End)	Rema
4	91001206500	O-RING	1		1A G65			
5	36660025021	COVER (OIL SEAL)	1					
6	36660025140	SEAL,OIL	1					
7	80602110720	RING,RITAINING	1		R72			
14	36661925010	O-RING	1					
19	14125151020	KEY	1					
50	36662590000	MOTOR,HYDRAULIC (SWING)	1					

# AT-270-2 42083200020 UPPER

Pos No.	Parts No	Parts Name	Qty	Unit	Technical Data	Serial No (Start)	Serial No (End)	Remarks	Pages
1	36620030010	PLUG	1		PF3/8				
2	91002801400	O-RING	1		1B P14				
3	52255101000	SPRING	1						
5	91002801000	O-RING	2		1B P10				
6	36620225052	PISTON	1						
7	91002800700	O-RING	1		1B P7				
9	36624995010	PLUG	1						
10	91002801100	O-RING	1		1B P11				
100	36625490000	VALVE,CHECK	1						

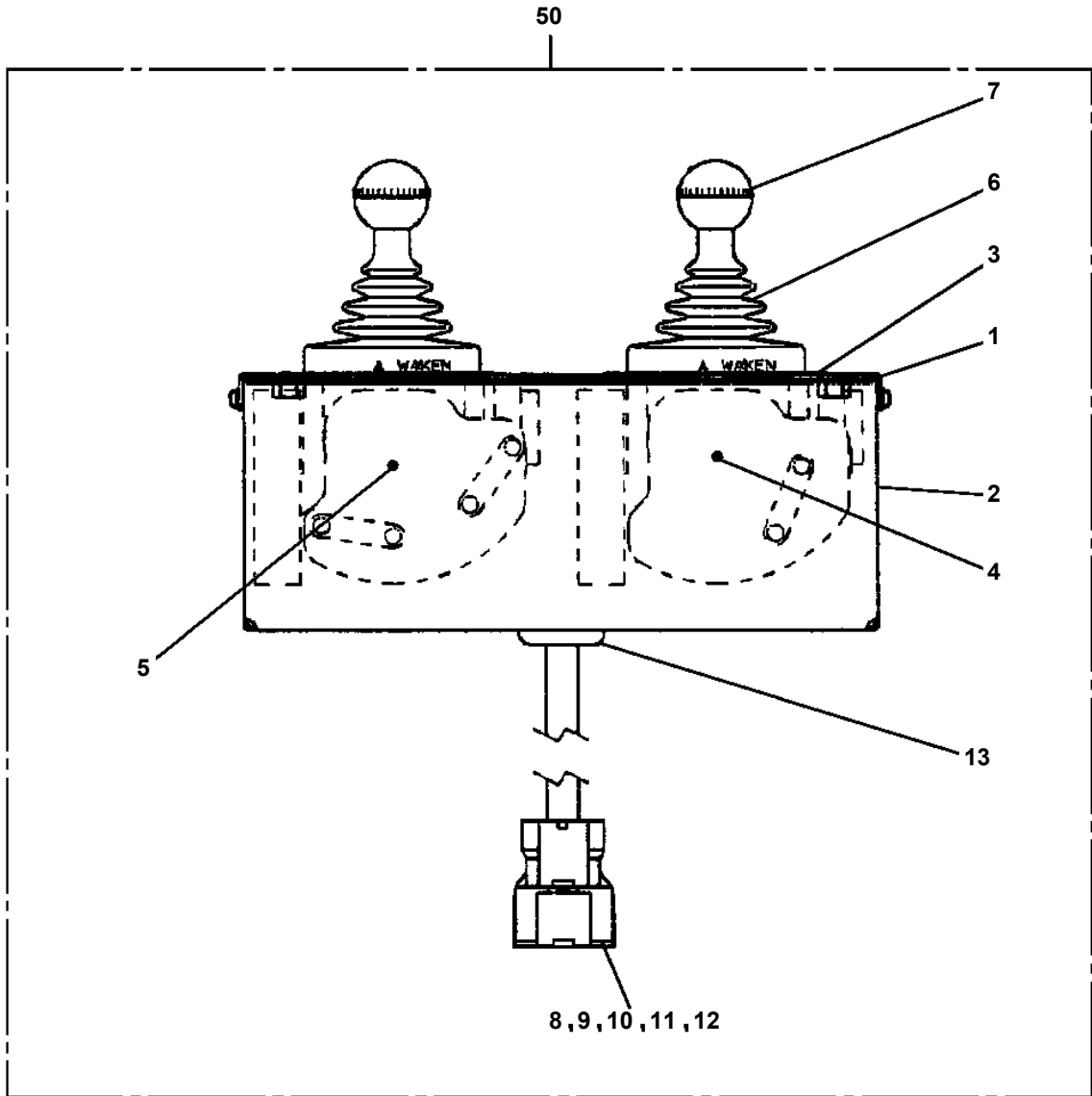
AT-270-2 42083200020 UPPER  
PJ3010249-02 BASKET



# AT-270-2 42083200020 UPPER

Pos No.	Parts No	Parts Name	Qty	Unit	Technical Data	Serial No (Start)	Serial No (End)	Remarks	Pages
2	42271811000	COVER	1						
3	90101208016	BOLT	10		M8X16				
4	90302040801	WASHER,SPRING	10		8				
5	90303070801	WASHER,PLAIN	10		8				
6	90101206014	BOLT	6		M6X14				
7	90302040601	WASHER,SPRING	6		6				
8	37000512320	PLATE	6						
9	42270890020	COVER	1						
10	42270890030	COVER	1						
21	42272111000	COVER ASSY	1						000042
63	82400000311	GROMMET	2		L=1000				

AT-270-2 42083200020 UPPER  
PL1020044-01 LEVER,CONTROL



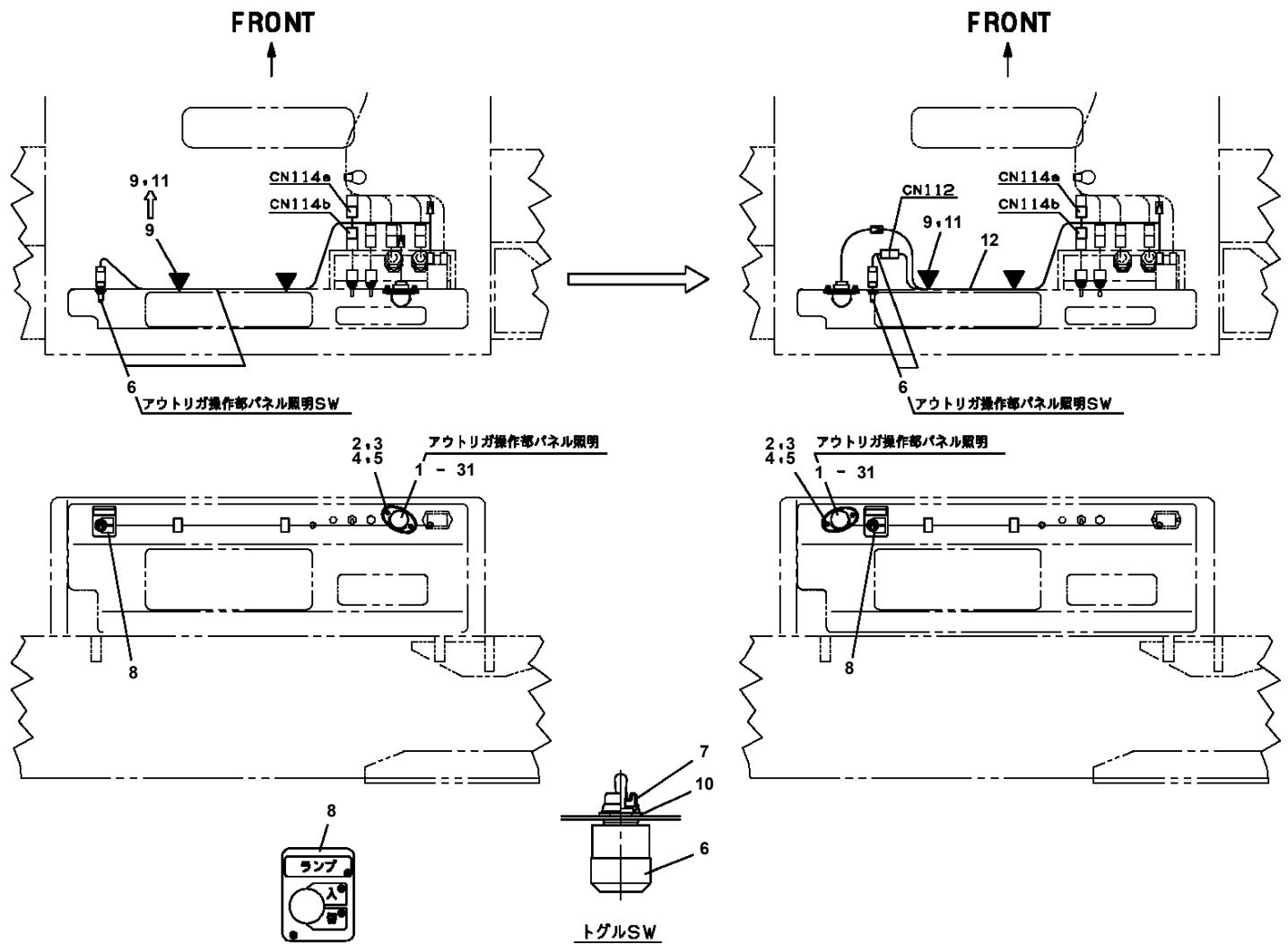
# AT-270-2 42083200020 UPPER

Pos No.	Parts No	Parts Name	Qty	Unit	Technical Data	Serial No (Start)	Serial No (End)	Remarks	Pages
1	42511790100	SUPPORT	1						
2	42511790200	COVER	1						
3	42511790300	HARNESS	1						000082
4	82100002253	LAMP	1						
5	90101206012	BOLT	7		M6X12				
6	90302040601	WASHER,SPRING	7		6				
7	42738200010	PLATE,NAME	1						
9	82400000221	GROMMET	1						
10	91810130240	FASTENER	5						
11	82199504017	NUT	1		AT-401N				
12	82199514013	CAP	1						
34	82400000201	GROMMET	1		KG-016				
41	82100000783	BULB,LAMP	1		24V 12W				

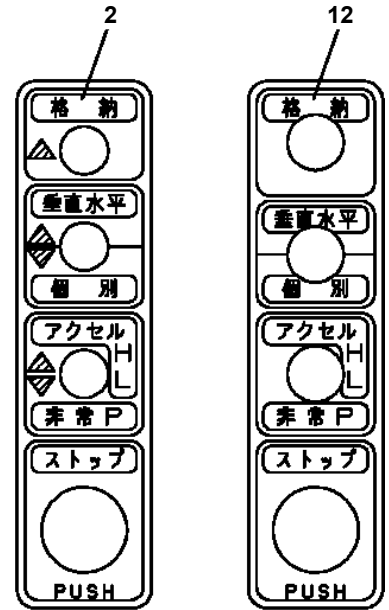
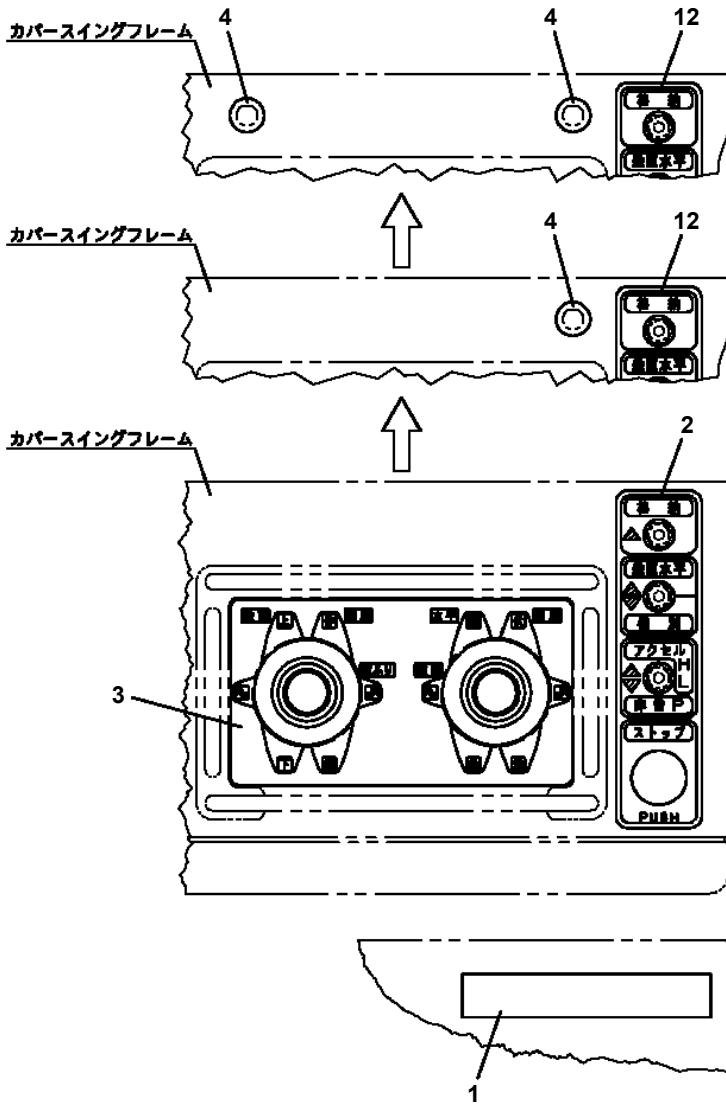
# AT-270-2 42083200020 UPPER

Pos No.	Parts No	Parts Name	Qty	Unit	Technical Data	Serial No (Start)	Serial No (End)	Remarks	Page
1	42352660500	HARNESS	1						0000
2	37000714020	CLAMP ASSY	5		12X2				
3	91810130270	FASTENER	25						
4	42352660600	HARNESS	1						0000
5	37000714050	CLAMP ASSY	2		18X3				
6	37000300740	SLEEVE	4		18-12				
10	42352660700	HARNESS	1						0000
11	82100001803	TUBE,CORRUGATE	5	M	13				
12	42352660800	HARNESS	1		L=12500				

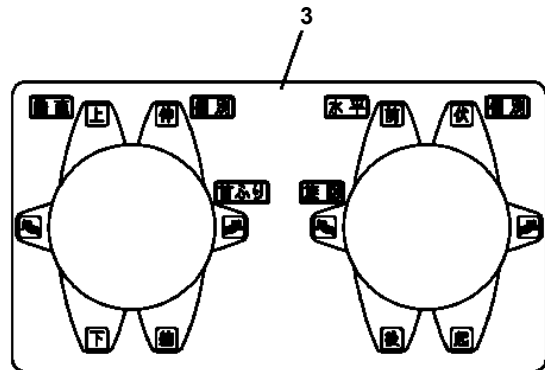
# AT-270-2 42083200020 UPPER PN1080418-02 LAMP (O/R CONTROLS)



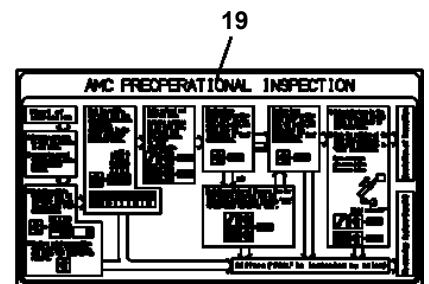
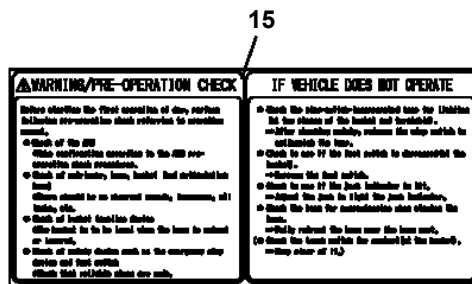
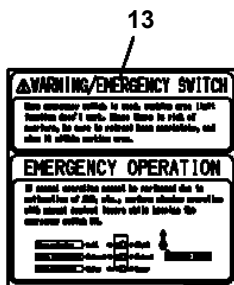
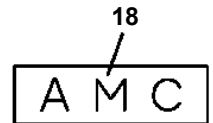
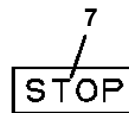
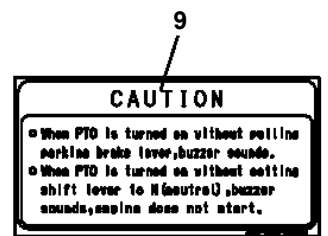
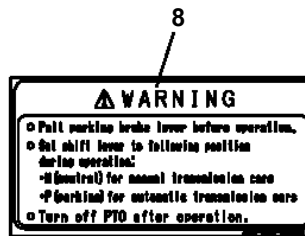
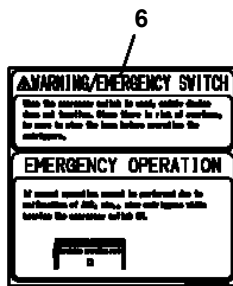
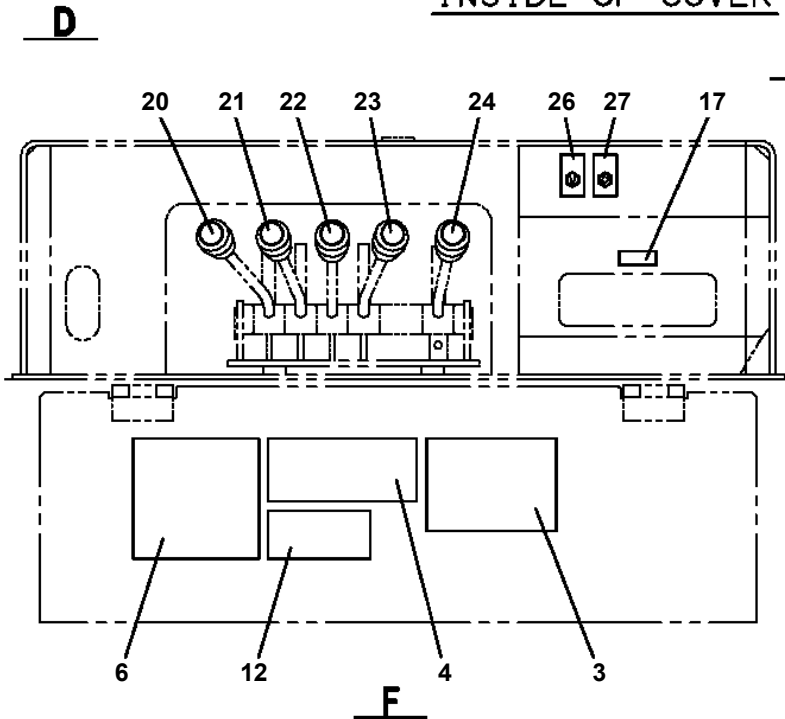
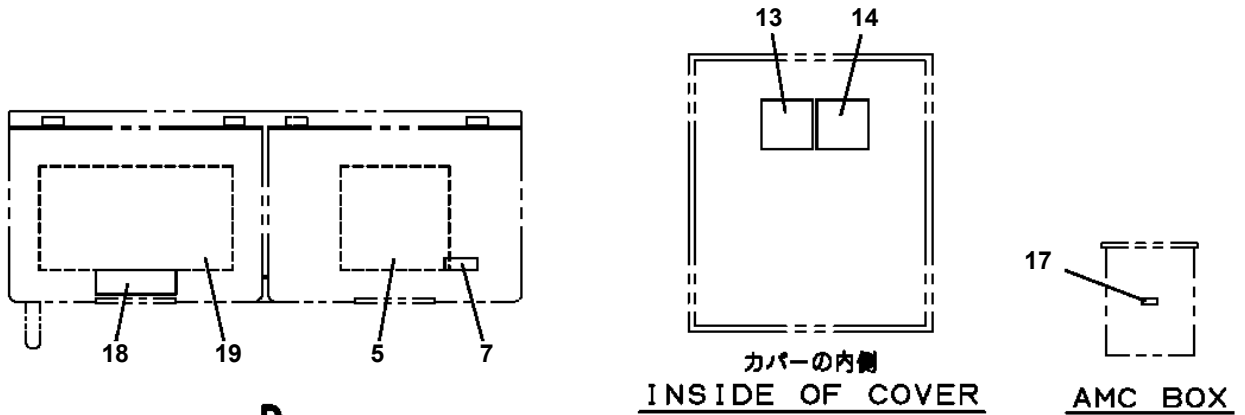
AT-270-2 42083200020 UPPER  
 PO1013132-04 PLATE ASSY,NAME



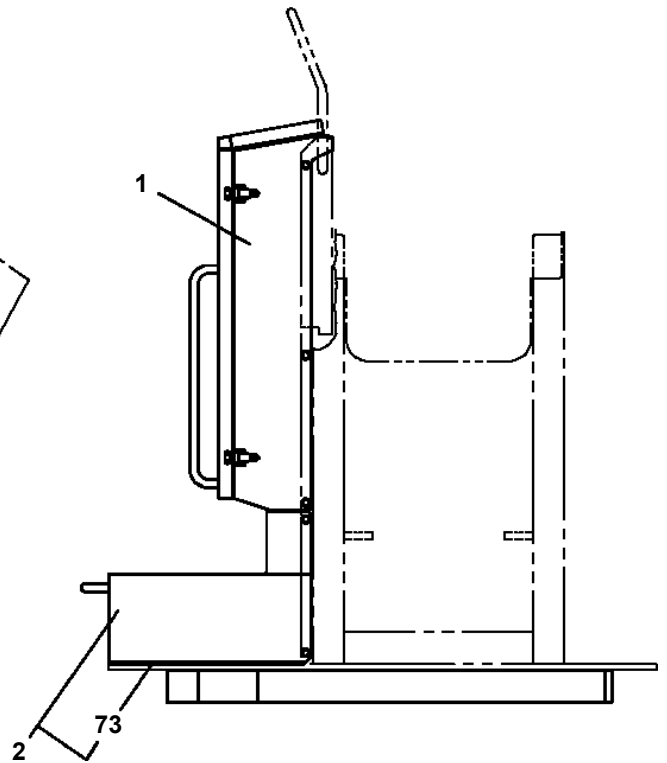
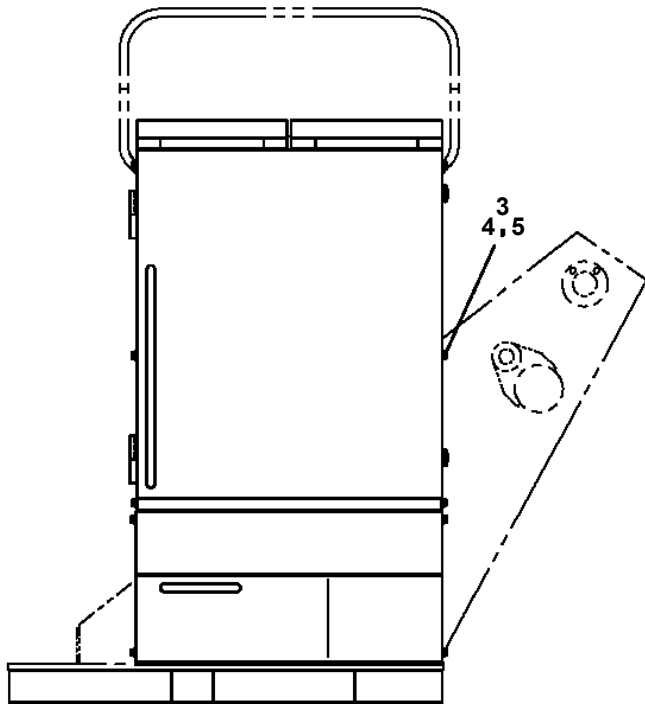
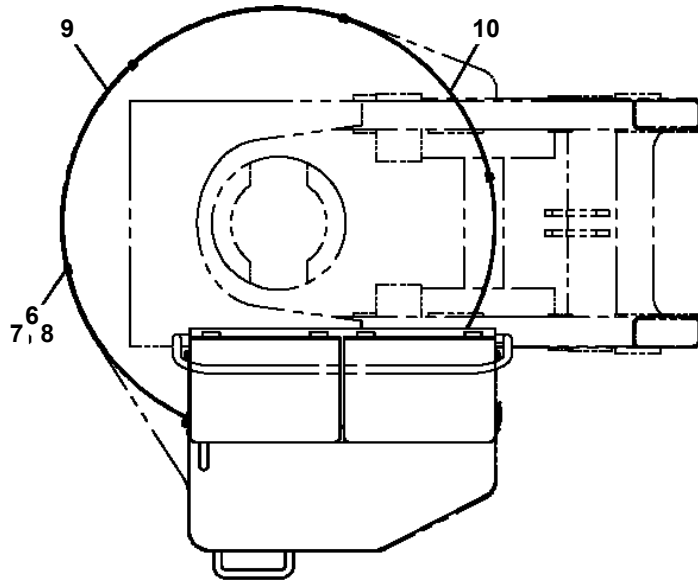
緊急停止操作は、ストップスイッチを押してください。  
 復帰するときは、スイッチを矢印の方向に回してください。



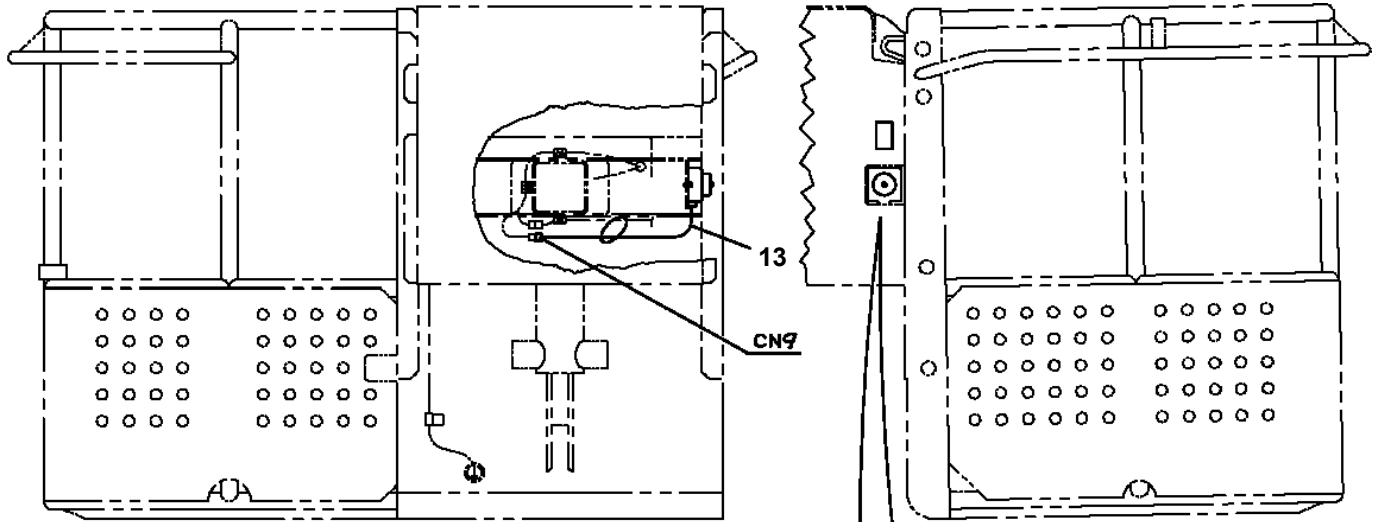
AT-270-2 42083200020 UPPER  
 PO1014384-01 PLATE ASSY,NAME (COMMON)



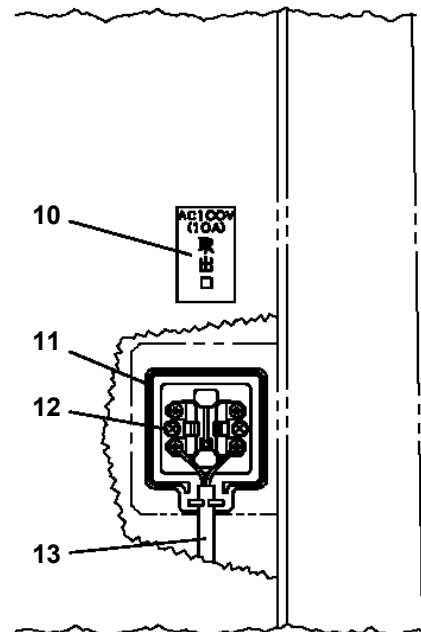
AT-270-2 42083200020 UPPER  
PO5260092-01 OUTER COVERING ASSY



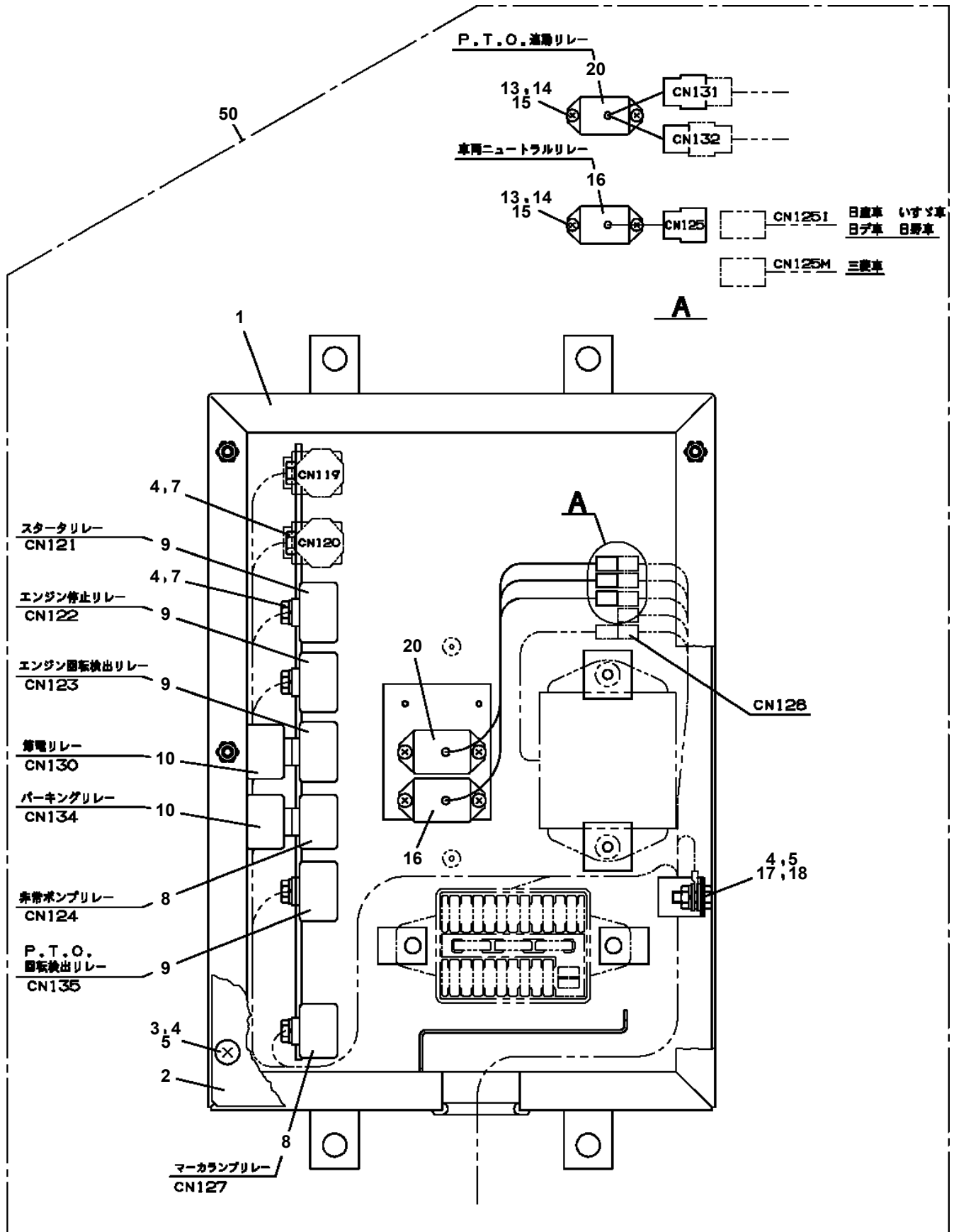
AT-270-2 42083200020 UPPER  
PP5100058-01 PARTS ASSY,ELECTRICITY (100V POWER SUPPLY)



バスケット部  
BASKET

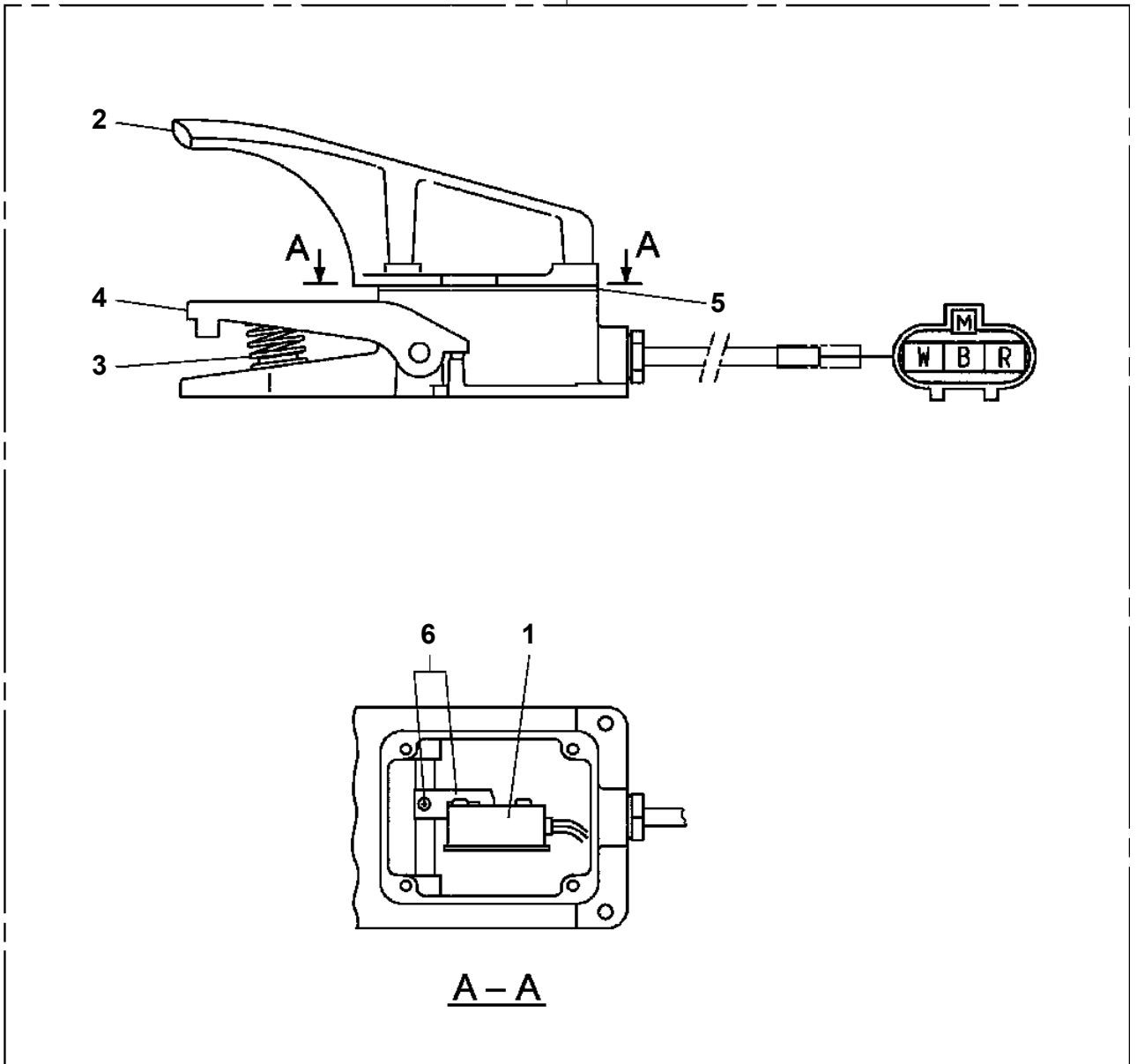


AT-270-2 42083200020 UPPER  
 PR5100001-00 RELAY BOX ASSY (FRAME)



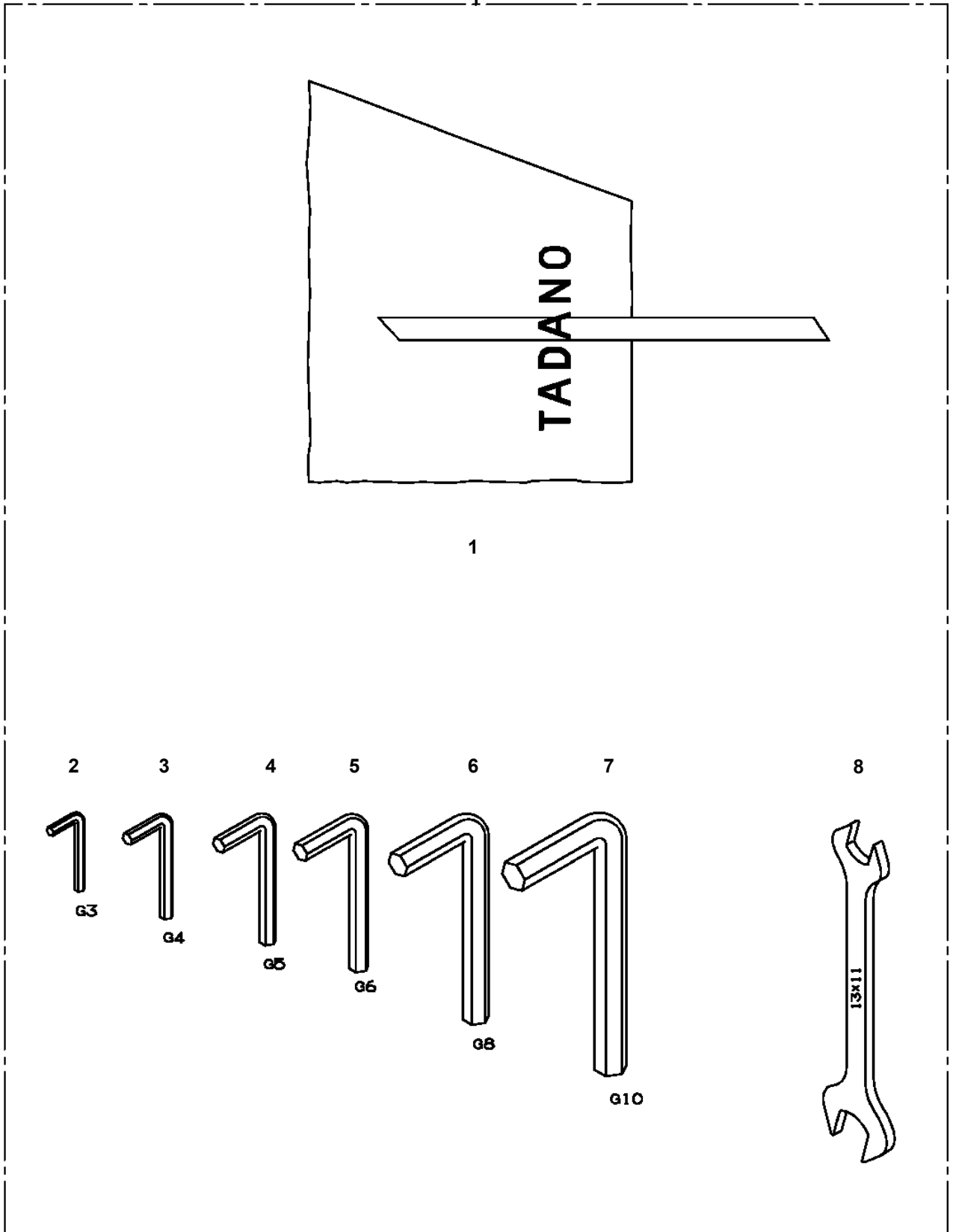
AT-270-2 42083200020 UPPER  
PS5530450-00 SWITCH ASSY

100

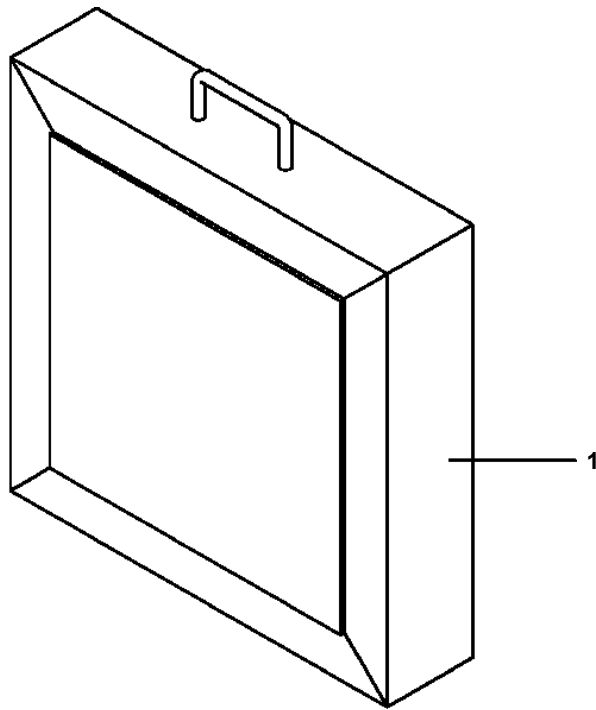


AT-270-2 42083200020 UPPER  
PW1030049-01 TOOLS

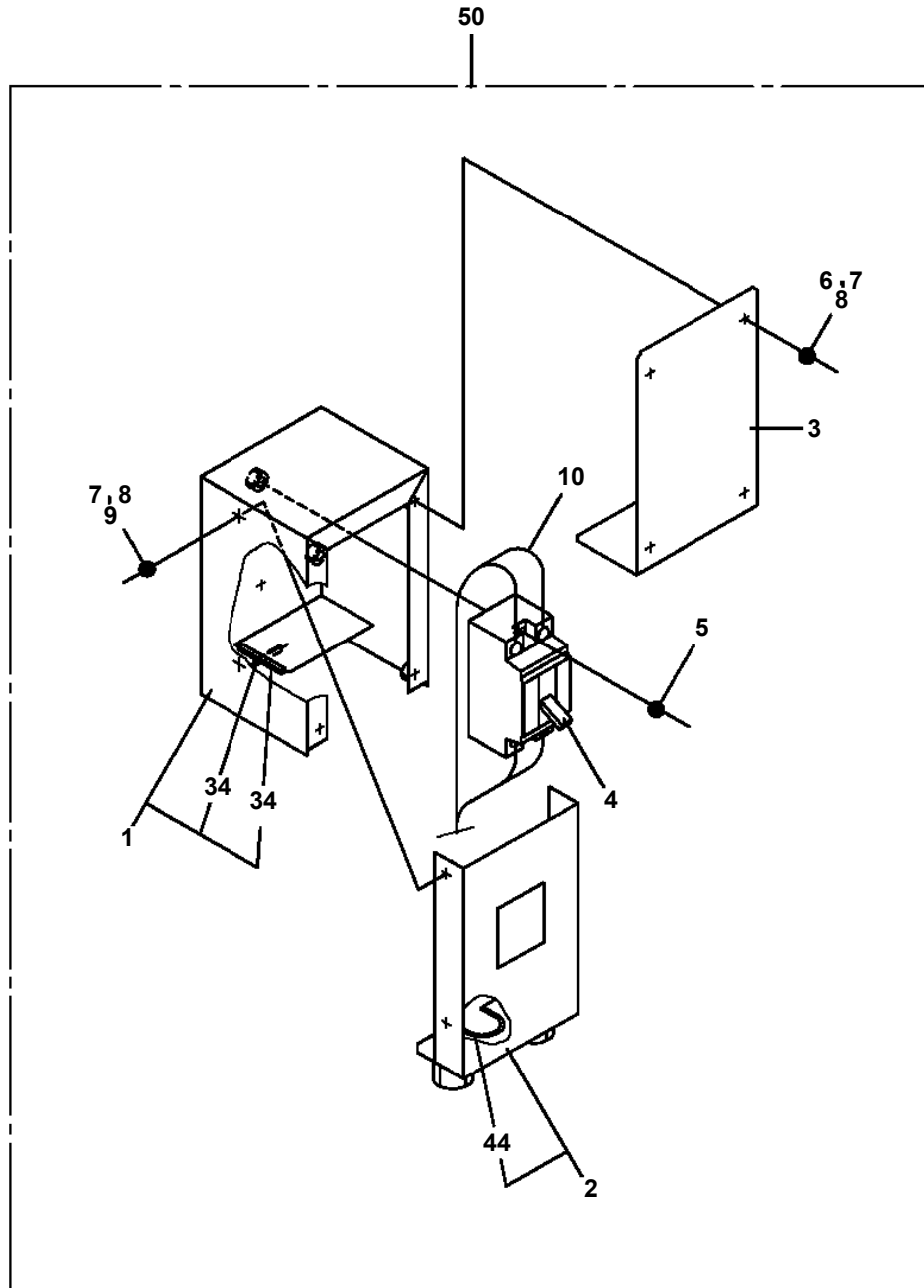
50



**AT-270-2 42083200020 UPPER**  
**PX1270086-01 WOOD BLOCK (W=350,H=80)**



**AT-270-2 42083200020 UPPER  
PY1840005-00 BREAKER**



CLICK HERE TO **DOWNLOAD** THE COMPLETE MANUAL

- Thank you very much for reading the preview of the manual.
- You can download the complete manual from: [www.heydownloads.com](http://www.heydownloads.com) by clicking the link below



- Please note: If there is no response to CLICKING the link, please download this PDF first and then click on it.

CLICK HERE TO **DOWNLOAD** THE COMPLETE MANUAL