

**AT-255-1 42098131600 LOWER,HINO SKG-FC9JGAA-SKD**

PB3000276-00 POWER UNIT  
PO1000171-00 INDICATION PLATES  
PX2001310-00 CARRIER UNIT  
PX3000748-00 MOUNTING UNIT  
PY1001460-01 OPTIONS,1  
ASSEMBLY

CLICK HERE TO **DOWNLOAD** THE COMPLETE MANUAL

- Thank you very much for reading the preview of the manual.
- You can download the complete manual from: [www.heydownloads.com](http://www.heydownloads.com) by clicking the link below



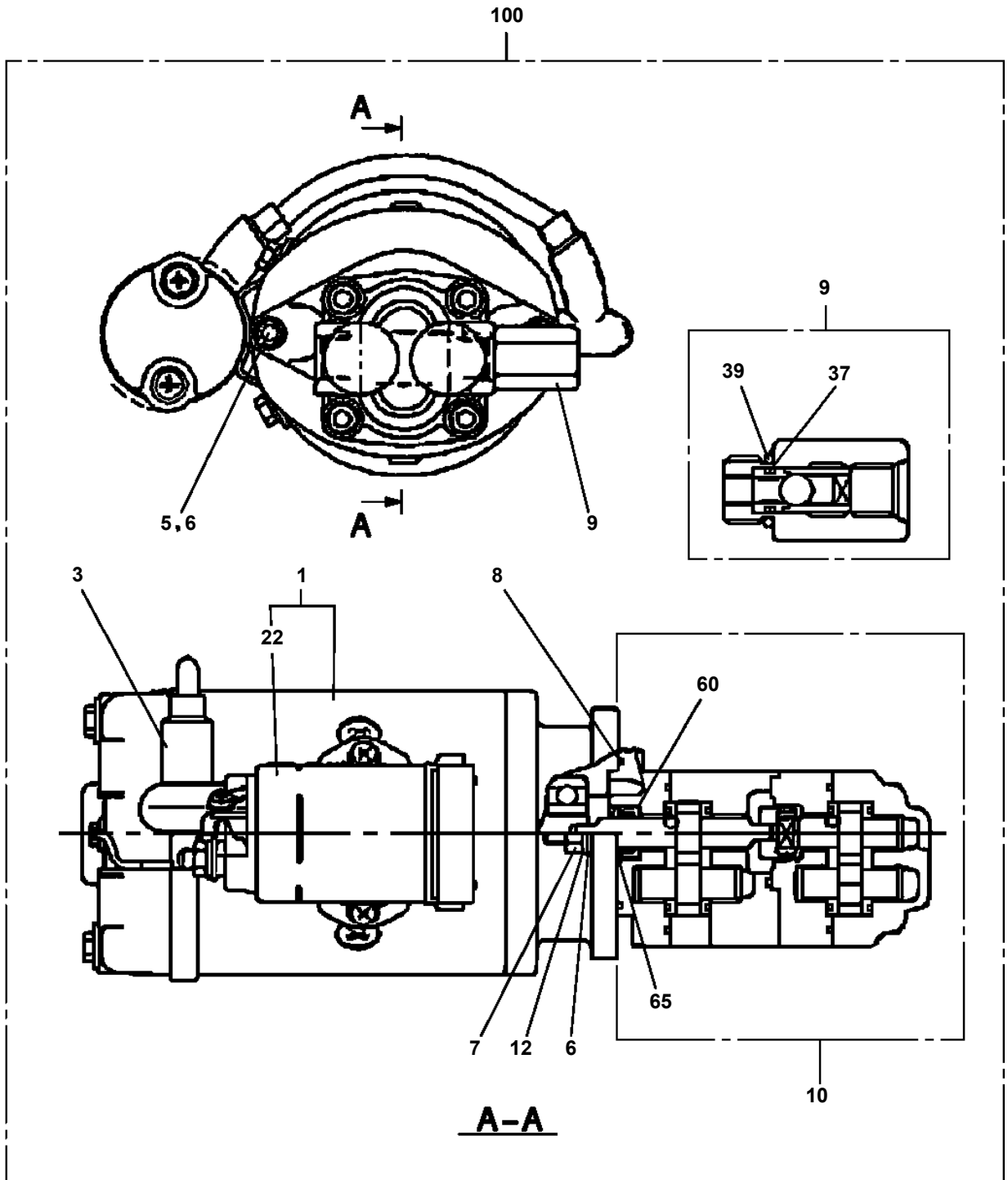
- Please note: If there is no response to CLICKING the link, please download this PDF first and then click on it.

CLICK HERE TO **DOWNLOAD** THE COMPLETE MANUAL

# AT-255-1 42098131600 LOWER,HINO SKG-FC9JGAA-SKD

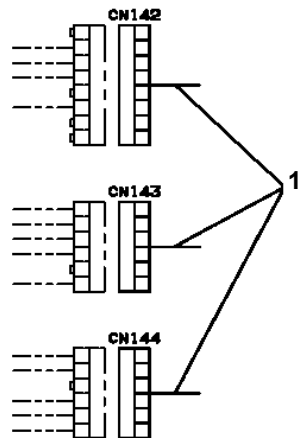
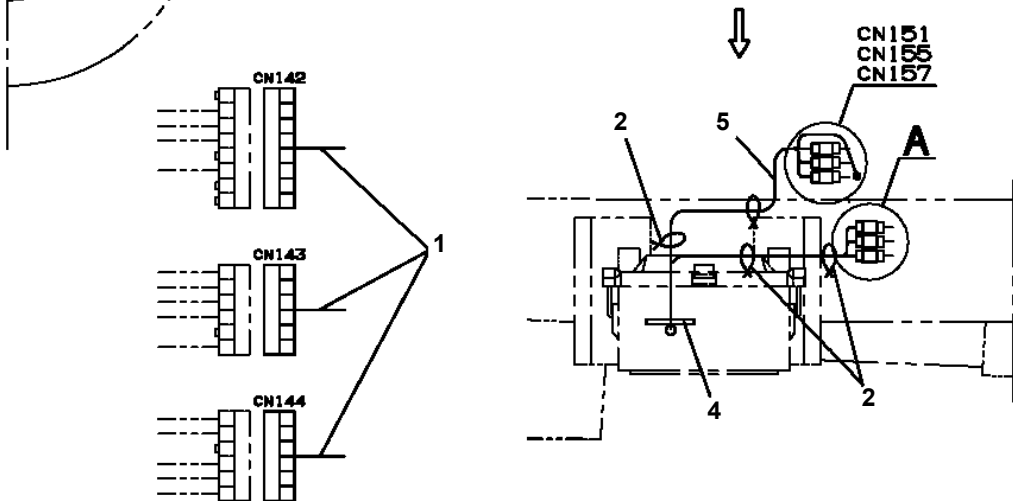
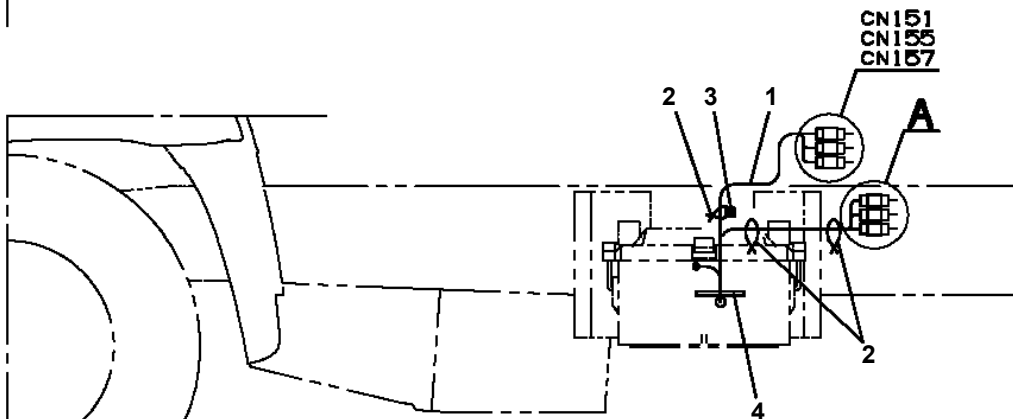
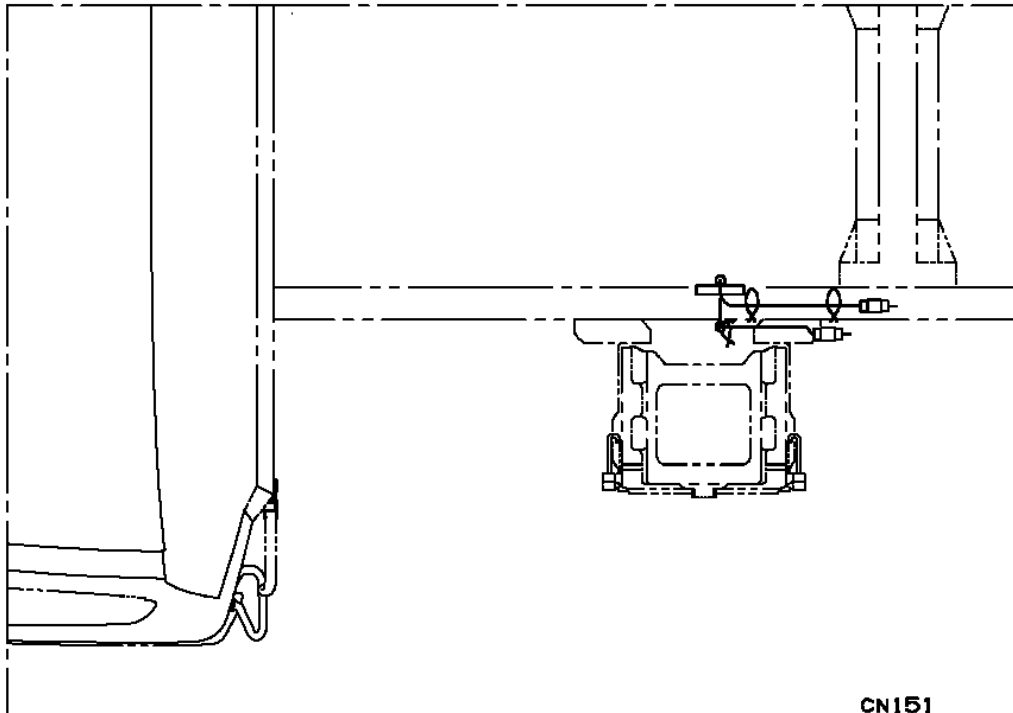
Pos No.	Parts No	Parts Name	Qty	Unit	Technical Data	Serial No (Start)	Serial No (End)	Remarks	Pages
1	(*****)	ALARM ASSY	1						000042
2	(*****)	ELEC.ASSY	1						000014

AT-255-1 42098131600 LOWER,HINO SKG-FC9JGAA-SKD  
PB1100301-01 PUMP,HYDRAULIC (EMERGENCY)



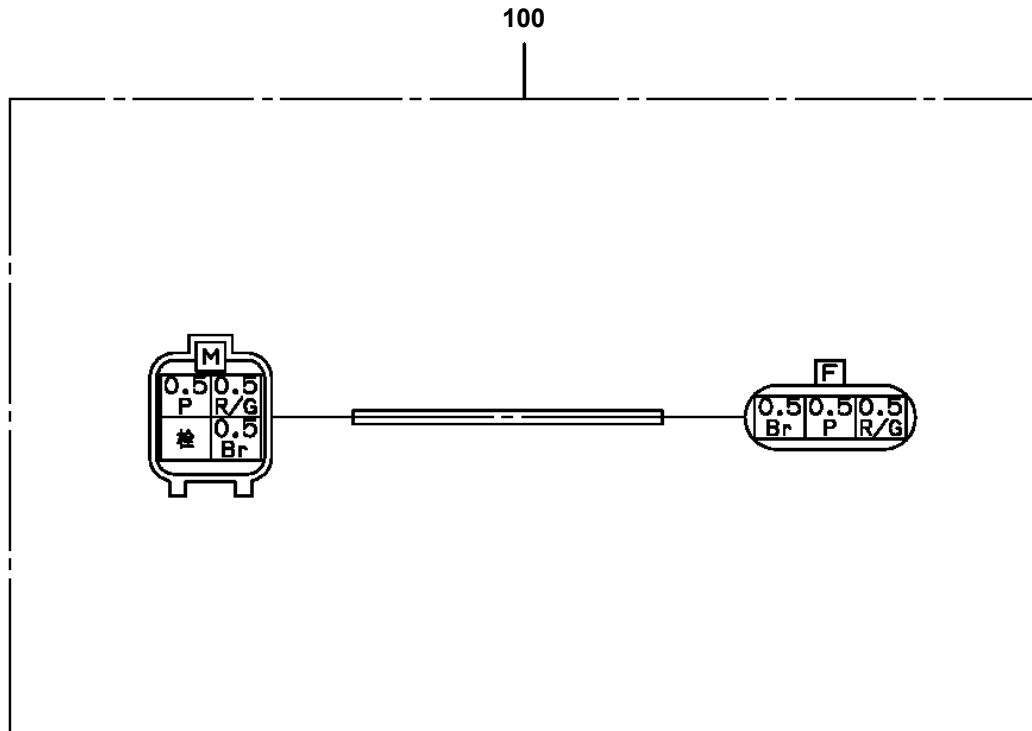
AT-255-1 42098131600 LOWER,HINO SKG-FC9JGAA-SKD  
PE5070024-01 ELEC.ASSY,CARRIER

FRONT ←

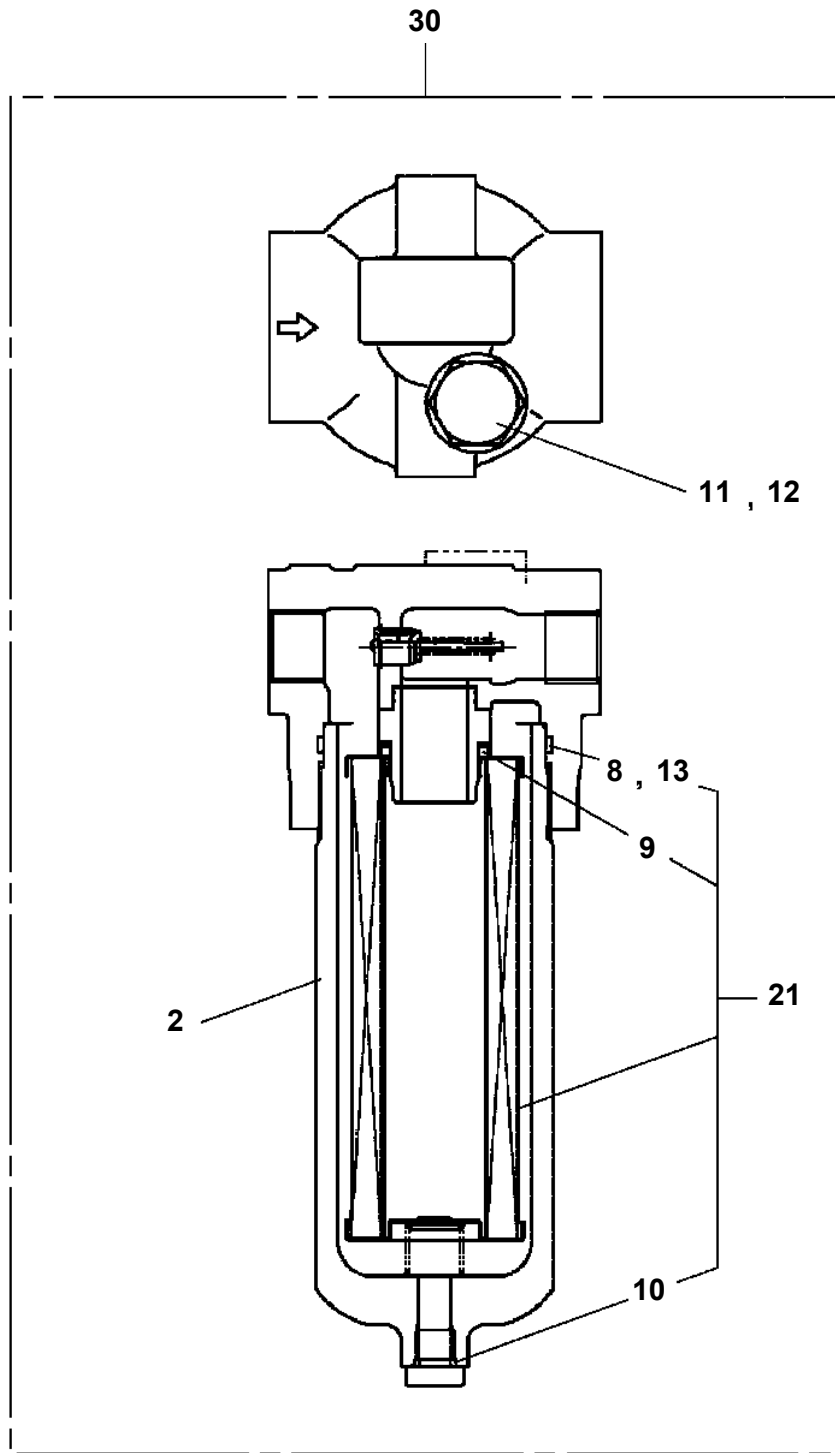


**A**  
キャブ後方第一クロスメンバ部

AT-255-1 42098131600 LOWER,HINO SKG-FC9JGAA-SKD  
PH5034175-00 HARNESS

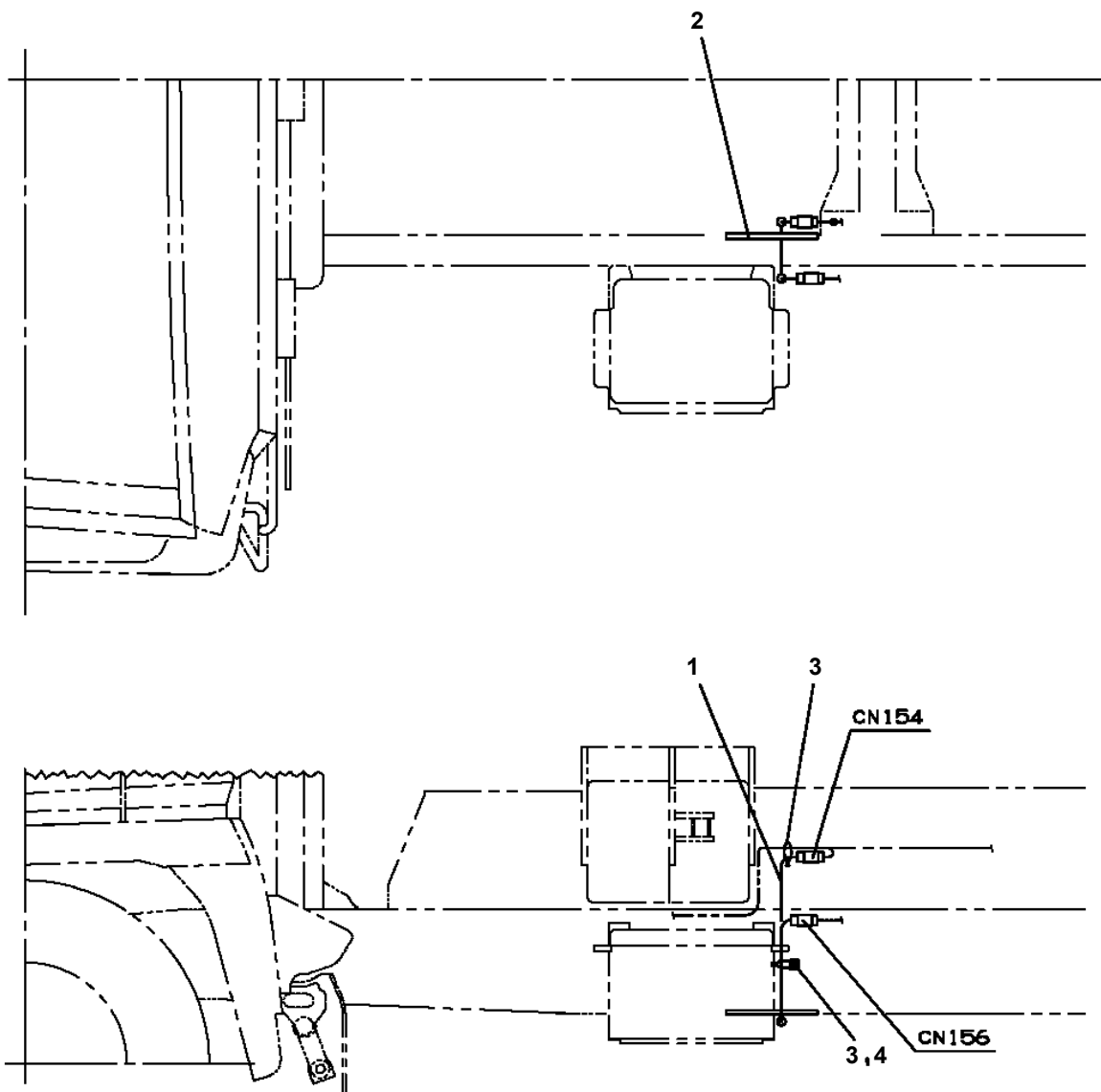


AT-255-1 42098131600 LOWER,HINO SKG-FC9JGAA-SKD  
PI1300021-01 FILTER,OIL



AT-255-1 42098131600 LOWER,HINO SKG-FC9JGAA-SKD  
PO5020004-00 OPE.ASSY,ACCELERATOR

FRONT ←



**AT-255-1 42098131600 LOWER,HINO SKG-FC9JGAA-SKD**

Pos No.	Parts No	Parts Name	Qty	Unit	Technical Data	Serial No (Start)	Serial No (End)	Remarks
1	42875691001	SUPPORT	1					
5	90171114035	BOLT	4		M14X35			
6	90302041401	WASHER,SPRING	4		14			
7	42875710100	PLATE,SLIDE	2					
8	90172108018	BOLT,HEXAGON SOCKET	8		M8X18			
9	90303070801	WASHER,PLAIN	8		8			

CLICK HERE TO **DOWNLOAD** THE COMPLETE MANUAL

- Thank you very much for reading the preview of the manual.
- You can download the complete manual from: [www.heydownloads.com](http://www.heydownloads.com) by clicking the link below



- Please note: If there is no response to CLICKING the link, please download this PDF first and then click on it.

CLICK HERE TO **DOWNLOAD** THE COMPLETE MANUAL