

AT-250-1 42048120300 LOWER,MITSUBISHI U-FK337G

PX1000252-04 MOUNTING PARTS

PY2000055-00 OPTIONS (LOWER)

ASSEMBLY

CLICK HERE TO **DOWNLOAD** THE COMPLETE MANUAL

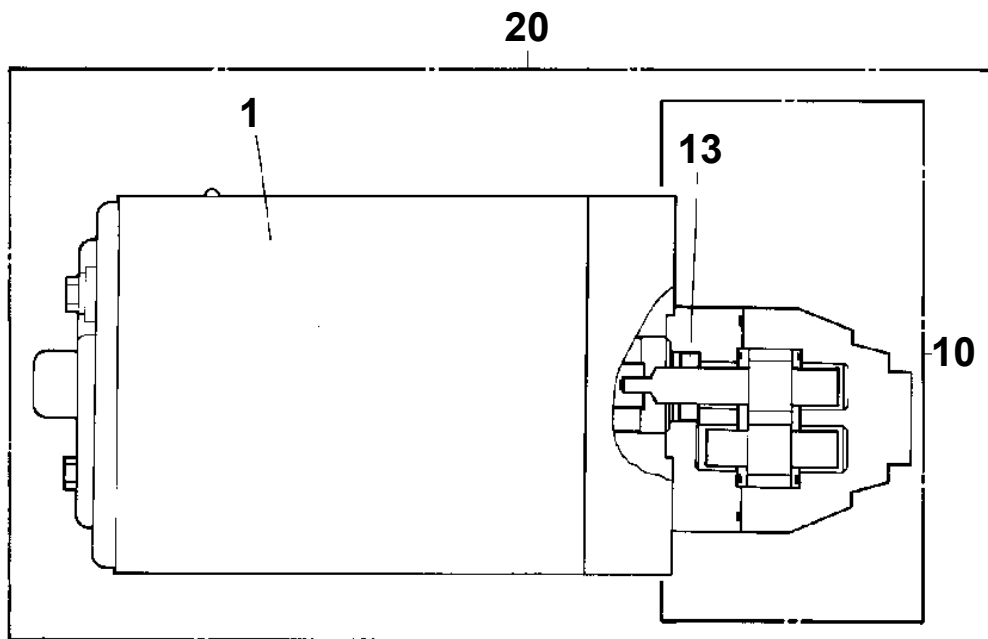
- Thank you very much for reading the preview of the manual.
- You can download the complete manual from: www.heydownloads.com by clicking the link below



- Please note: If there is no response to CLICKING the link, please download this PDF first and then click on it.

CLICK HERE TO **DOWNLOAD** THE COMPLETE MANUAL

**AT-250-1 42048120300 LOWER, MITSUBISHI U-FK337G
PB1100028-01 PUMP, HYDRAULIC (EMERGENCY)**



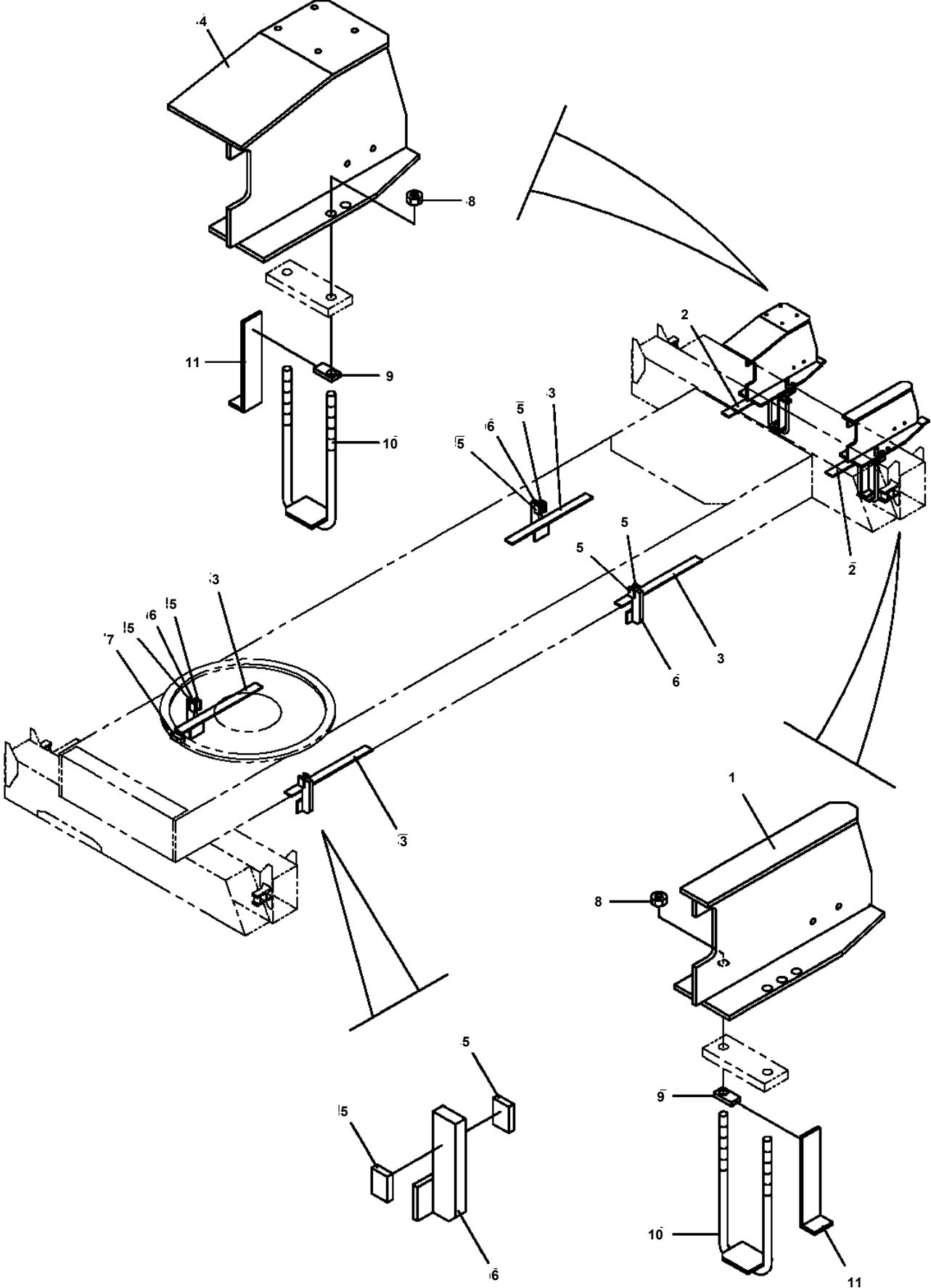
AT-250-1 42048120300 LOWER,MITSUBISHI U-FK337G

Pos No.	Parts No	Parts Name	Qty	Unit	Technical Data	Serial No (Start)	Serial No (End)	Remarks	Pages
100	42800040030	HARNESS	1						

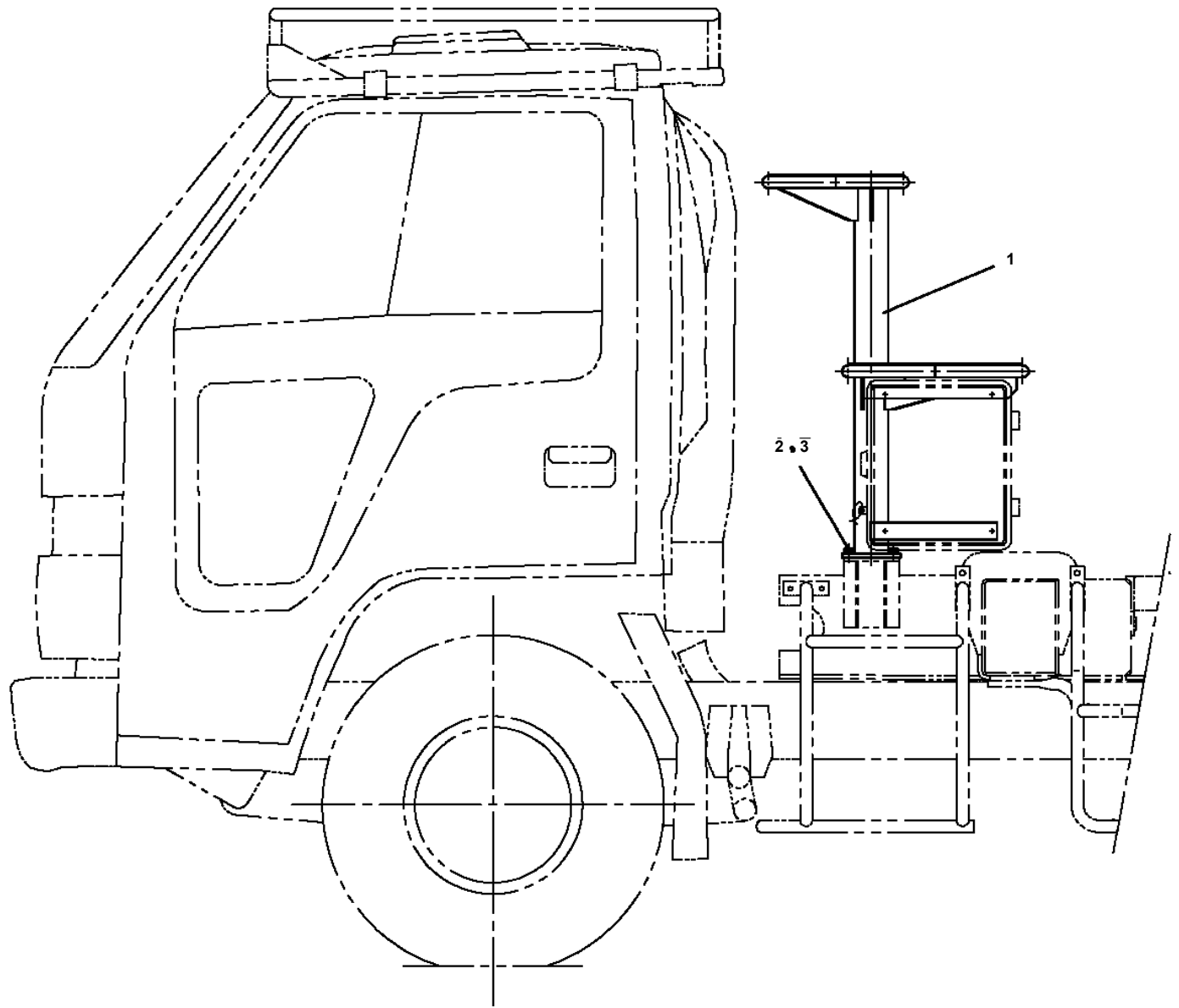
AT-250-1 42048120300 LOWER,MITSUBISHI U-FK337G

Pos No.	Parts No	Parts Name	Qty	Unit	Technical Data	Serial No (Start)	Serial No (End)	Remarks	Page
1	42803851101	SUPPORT	1						
2	42803851200	COVER	1						
3	42804451100	BOX ASSY	1				370169		
	42804451101	BOX ASSY	1			370170			
4	80182306014	SCREW,MACHINE	2		M6X14				
5	82161201010	RELAY	2						
6	82100002596	RELAY	10						
7	82100001811	RELAY	1						
8	42800231010	HARNESS	1						
9	90101208014	BOLT	2		M8X14				
10	90302040801	WASHER,SPRING	6		8				
11	90303070801	WASHER,PLAIN	2		8				
12	90101206010	BOLT	2		M6X1.0				
13	82100002051	CLAMP	3		WS-A55				
14	90101206008	BOLT	14		M6X8				
15	90302040601	WASHER,SPRING	22		6				
16	90303070601	WASHER,PLAIN	20		6				
17	90201200600	NUT	4		M6				
18	82400000400	HINGE	2						
19	80175303008	SCREW,MACHINE	8		M3X8				
20	90302040301	WASHER,SPRING	8		3				
21	90303070301	WASHER,PLAIN	8		3				
22	90201200300	NUT	8		M3				
23	82100002052	CLAMP	1						
24	90101206014	BOLT	2		M6X14				
25	90813106012	BOLT,WING	2		M6X12				
26	90101208012	BOLT	4		M8X12				
27	90101205008	BOLT	2		M5X8				
28	90201200500	NUT	2		M5				
41	34351562510	BOX,FUSE	1						
42	42804451110	HARNESS	1						
43	42804451120	HARNESS	1						
44	42804451130	HARNESS	1						
45	82100001840	FUSE	3		15A,BLUE		370169		
	82100001840	FUSE	2		15A,BLUE	370170			
46	82100001839	FUSE	2		10A.RED				
47	82100001836	FUSE	2		3A				
48	82100001837	FUSE	2		5A				
49	82100001843	FUSE	4		30A.GREEN				
63	82100000266	DIODE	1						
80	82100001842	FUSE	1		25A	370170			
100	42804451000	RELAY ASSY (BOX)	1						

**AT-250-1 42048120300 LOWER, MITSUBISHI U-FK337G
PX1170184-00 ATTACHMENT PARTS, CRANE FRAME**



**AT-250-1 42048120300 LOWER, MITSUBISHI U-FK337G
PX1260077-00 STEP INSTALLATION**



AT-250-1 42048120300 LOWER,MITSUBISHI U-FK337G

Pos No.	Parts No	Parts Name	Qty	Unit	Technical Data	Serial No (Start)	Serial No (End)	Remarks	Pages
1	42734971000	DECK	1						
2	90101208025	BOLT	4		M8X25				
3	90201200800	NUT	4		M8				
4	42690150010	SUPPORT	4						
5	34250000850	PLATE	4		T=4.5				
6	90303071001	WASHER,PLAIN	4		10				
7	90101208020	BOLT	4		M8X20				
8	90302040801	WASHER,SPRING	4		8				
9	37000520500	PLATE	8		T=0.5				
10	44390480070	PLATE,CAUTION	1						

CLICK HERE TO **DOWNLOAD** THE COMPLETE MANUAL

- Thank you very much for reading the preview of the manual.
- You can download the complete manual from: www.heydownloads.com by clicking the link below



- Please note: If there is no response to CLICKING the link, please download this PDF first and then click on it.

CLICK HERE TO **DOWNLOAD** THE COMPLETE MANUAL