

**AT-220-1 42086141400 LOWER,ISUZU SKG-NPR85YN-HN5AY-D**

PB3000065-01 POWER UNIT  
PO1000149-00 INDICATION PLATES  
PX2001656-00 CARRIER UNIT  
PX3000822-00 MOUNTING UNIT  
PY1001458-02 OPTIONS,1  
ASSEMBLY

CLICK HERE TO **DOWNLOAD** THE COMPLETE MANUAL

- Thank you very much for reading the preview of the manual.
- You can download the complete manual from: [www.heydownloads.com](http://www.heydownloads.com) by clicking the link below



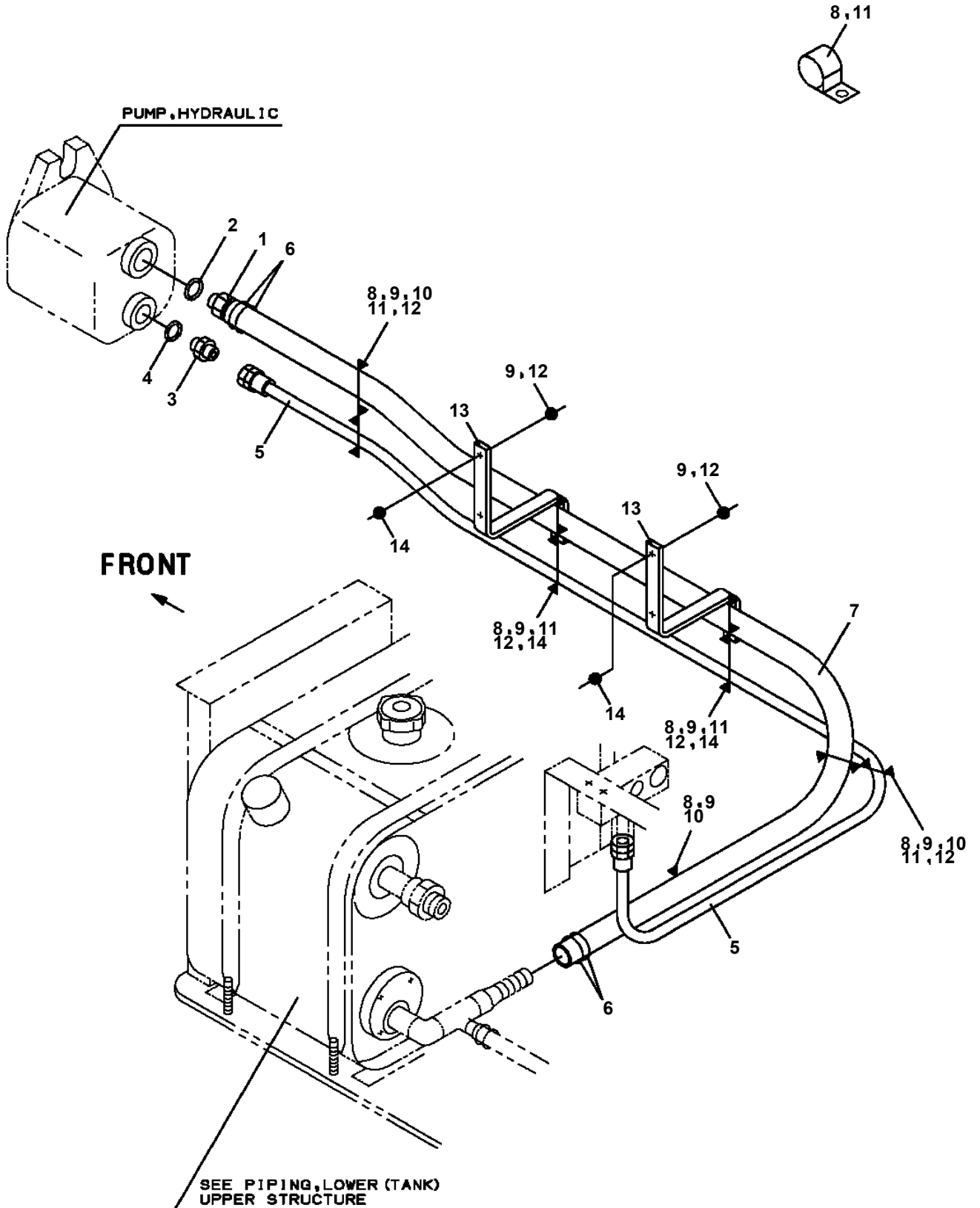
- Please note: If there is no response to CLICKING the link, please download this PDF first and then click on it.

CLICK HERE TO **DOWNLOAD** THE COMPLETE MANUAL

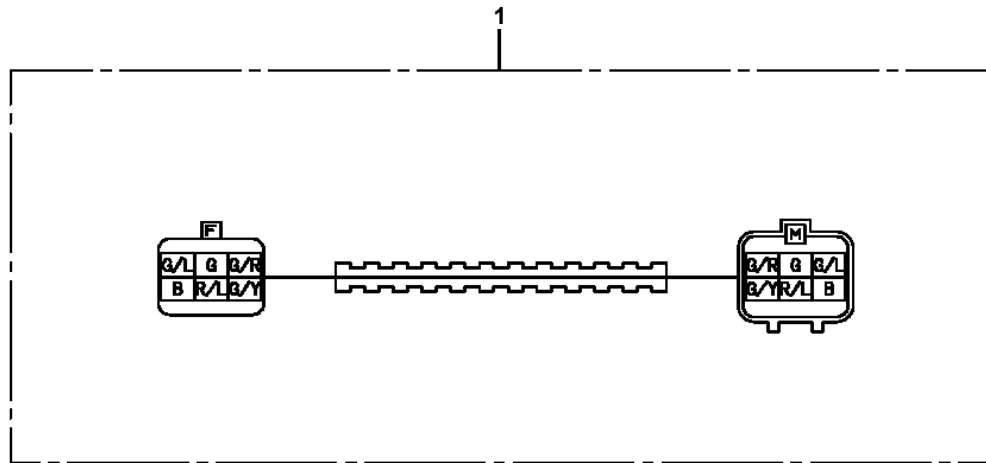
# AT-220-1 42086141400 LOWER,ISUZU SKG-NPR85YN-HN5AY-D

Pos No.	Parts No	Parts Name	Qty	Unit	Technical Data	Serial No (Start)	Serial No (End)
1	(*****)	GUARD (100KG,770X670X200,WITH HOOK)	1				
	(*****)	GUARD (150KG)	1				
3	(*****)	ALARM SYSTEM	1				
4	(*****)	MOUNT ASSY,TOOL BOX (RIGHT SINGLE)	1				
5	(*****)	ELEC.ASSY	1				

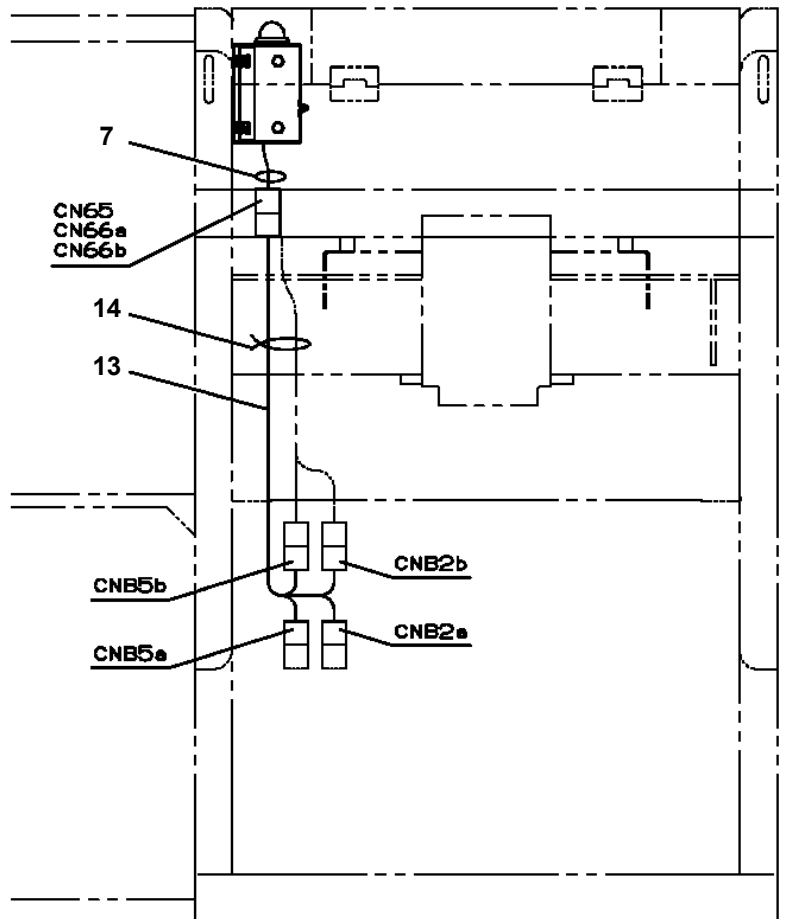
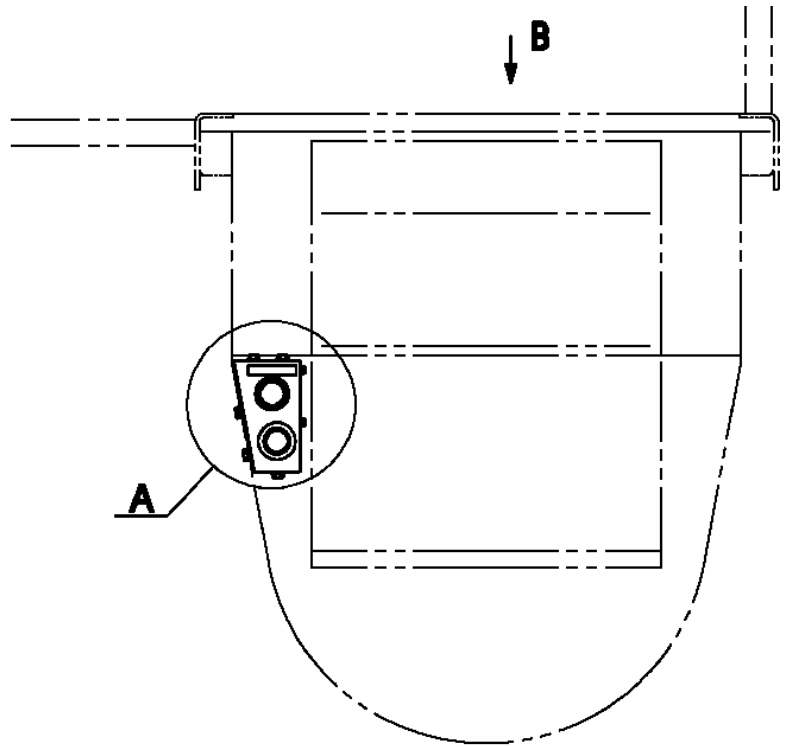
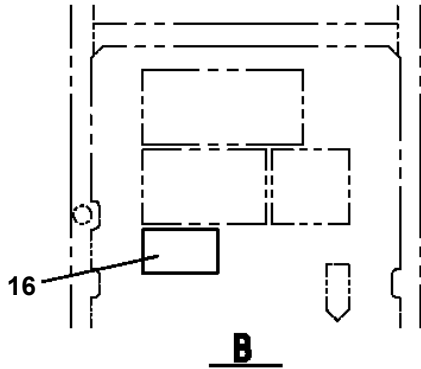
**AT-220-1 42086141400 LOWER,ISUZU SKG-NPR85YN-HN5AY-D  
PB1411728-01 PIPING,LOWER**



AT-220-1 42086141400 LOWER,ISUZU SKG-NPR85YN-HN5AY-D  
PH5031756-00 HARNESS



AT-220-1 42086141400 LOWER,ISUZU SKG-NPR85YN-HN5AY-D  
PN1014778-02 ELEC.ASSY



# AT-220-1 42086141400 LOWER,ISUZU SKG-NPR85YN-HN5AY-D

Pos No.	Parts No	Parts Name	Qty	Unit	Technical Data	Serial No (Start)	Serial No (End)	Re
11	42947410011	PLATE,NAME (PTO OPERATION)	1					

# AT-220-1 42086141400 LOWER,ISUZU SKG-NPR85YN-HN5AY-D

Pos No.	Parts No	Parts Name	Qty	Unit	Technical Data	Serial No (Start)	Serial No (End)
2	42834267510	WINDOW	1				
3	42834267520	SEAT	1				
4	42834267530	WEATHER STRIP	1				
5	42834267540	WEATHER STRIP	1				
6	42832917570	HINGE SET (RIGHT)	1				
7	42832917580	HINGE SET (LEFT)	1				
8	42833157580	PIN	2				
9	42831877540	INSULATOR	2				
10	42833607540	CATCH (WITH KEY)	1				
11	42833607550	CATCH (WITHOUT KEY)	1				
12	42833157590	STRIKER	2				
13	42833077610	BUSH	4				
14	80175804010	SCREW,MACHINE	4		M4X10		
15	80192435010	SCREW,MACHINE	6		M5X10		
16	80192484012	SCREW,MACHINE (WITH WASHER)	2		M4X12		
17	80192485012	SCREW,MACHINE	4		M5X12		
18	80175805010	SCREW,MACHINE	4		M5X10		
41	42833607700	KEY	1				
50	42834261000	BOX,TOOL	1				

# AT-220-1 42086141400 LOWER,ISUZU SKG-NPR85YN-HN5AY-D

Pos No.	Parts No	Parts Name	Qty	Unit	Technical Data	Serial No (Start)	Serial No (End)	Remarks	Pages
1	42990110101	FENDER	1						
2	42990110201	FENDER	1						
3	42990110300	FENDER	1						
4	42990110400	FENDER	1						
5	42990110500	FENDER	1						
6	42990110600	FENDER	1						
7	42990080700	SUPPORT	1						
8	90201200800	NUT	28		M8				
9	90302040801	WASHER,SPRING	28		8				
10	37000547660	PLATE	30		T=2.3				
11	37000549940	PLATE	28		T=3.2				
12	32200353500	SHIM	N		T=1.2				
13	90101208020	BOLT	2		M8X20				
14	90101210020	BOLT	4		M10X20				
15	90302041001	WASHER,SPRING	4		10				

CLICK HERE TO **DOWNLOAD** THE COMPLETE MANUAL

- Thank you very much for reading the preview of the manual.
- You can download the complete manual from: [www.heydownloads.com](http://www.heydownloads.com) by clicking the link below



- Please note: If there is no response to CLICKING the link, please download this PDF first and then click on it.

CLICK HERE TO **DOWNLOAD** THE COMPLETE MANUAL