

AT-200S-1 42076140200 LOWER,ISUZU KK-NPR72PV-5LXY
PZ1000390-02 SYSTEM
ASSEMBLY

CLICK HERE TO **DOWNLOAD** THE COMPLETE MANUAL

- Thank you very much for reading the preview of the manual.
- You can download the complete manual from: www.heydownloads.com by clicking the link below



- Please note: If there is no response to CLICKING the link, please download this PDF first and then click on it.

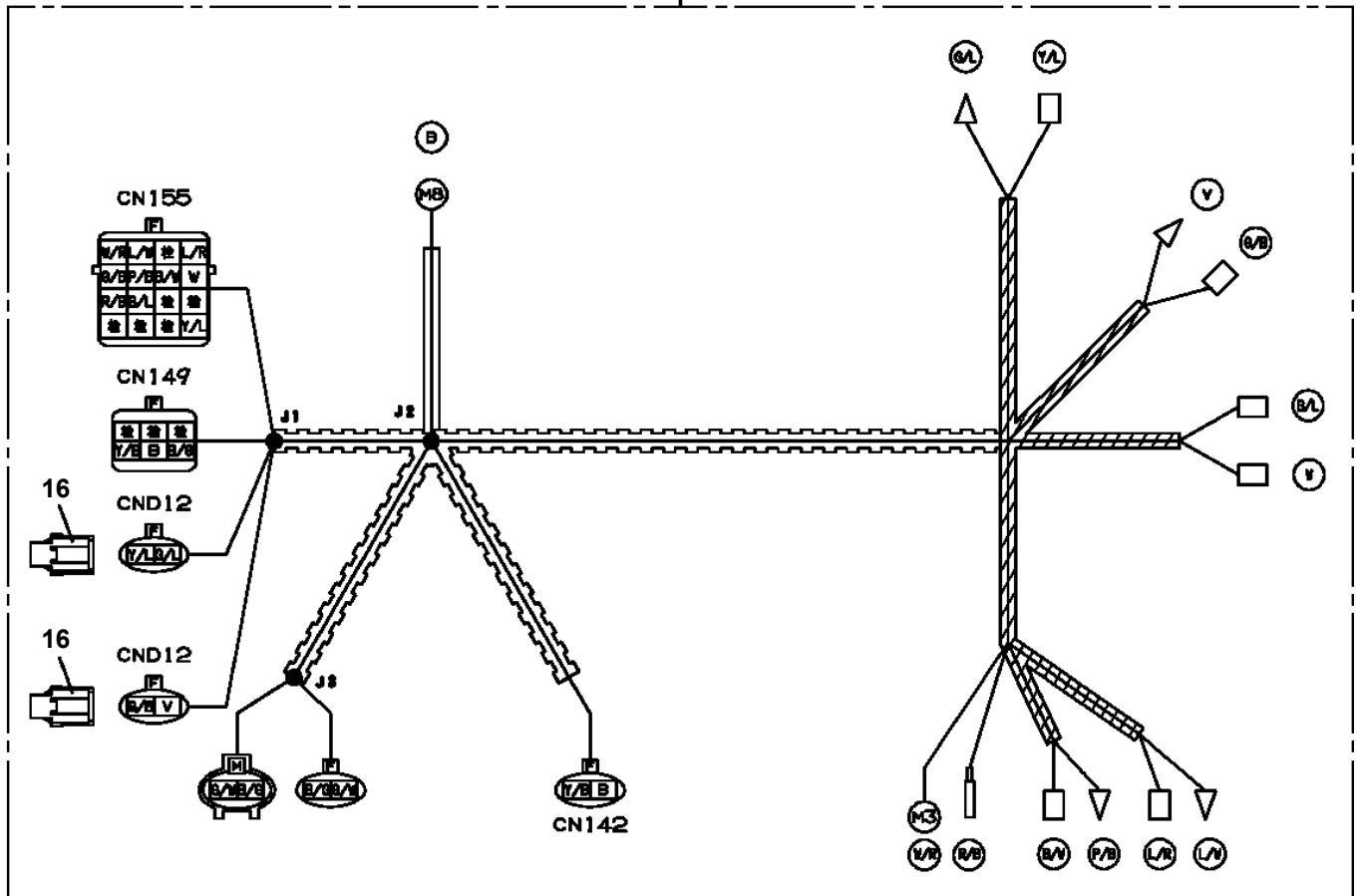
CLICK HERE TO **DOWNLOAD** THE COMPLETE MANUAL

AT-200S-1 42076140200 LOWER,ISUZU KK-NPR72PV-5LXY

Pos No.	Parts No	Parts Name	Qty	Unit	Technical Data	Serial No (Start)	Serial No (End)	Rema
1	36102131001	TANK	1					
3	53156005000	BREATHER ASSY (OB-10T)	1					
4	36102120010	CAP	1					
5	91001104800	O-RING	1		1A P48			
6	37002512230	HOSE	1		L=140		HF5299	
	37002516440	HOSE	1		L=140	HF5300		
7	91803880040	CLIP	2		D=10-12.2			
8	80316080100	PLUG	1				HF5271	
12	36102790010	PLUG	1			HF5272		
13	90303392001	WASHER	1		M20	HF5272		
32	53156005010	ELEMENT (OB-10T & OB-10B)	1				HF5198	
	53156005011	ELEMENT	1			HF5199		
33	53156005030	PLATE (WITH PACKING)	1			HF5266		
34	53156005020	PACKING SET	1				HF5265	
	53156005040	PACKING	1			HF5266		
100	36102130000	TANK,OIL	1					

AT-200S-1 42076140200 LOWER,ISUZU KK-NPR72PV-5LXY
 PH5033158-00 HARNESS

100



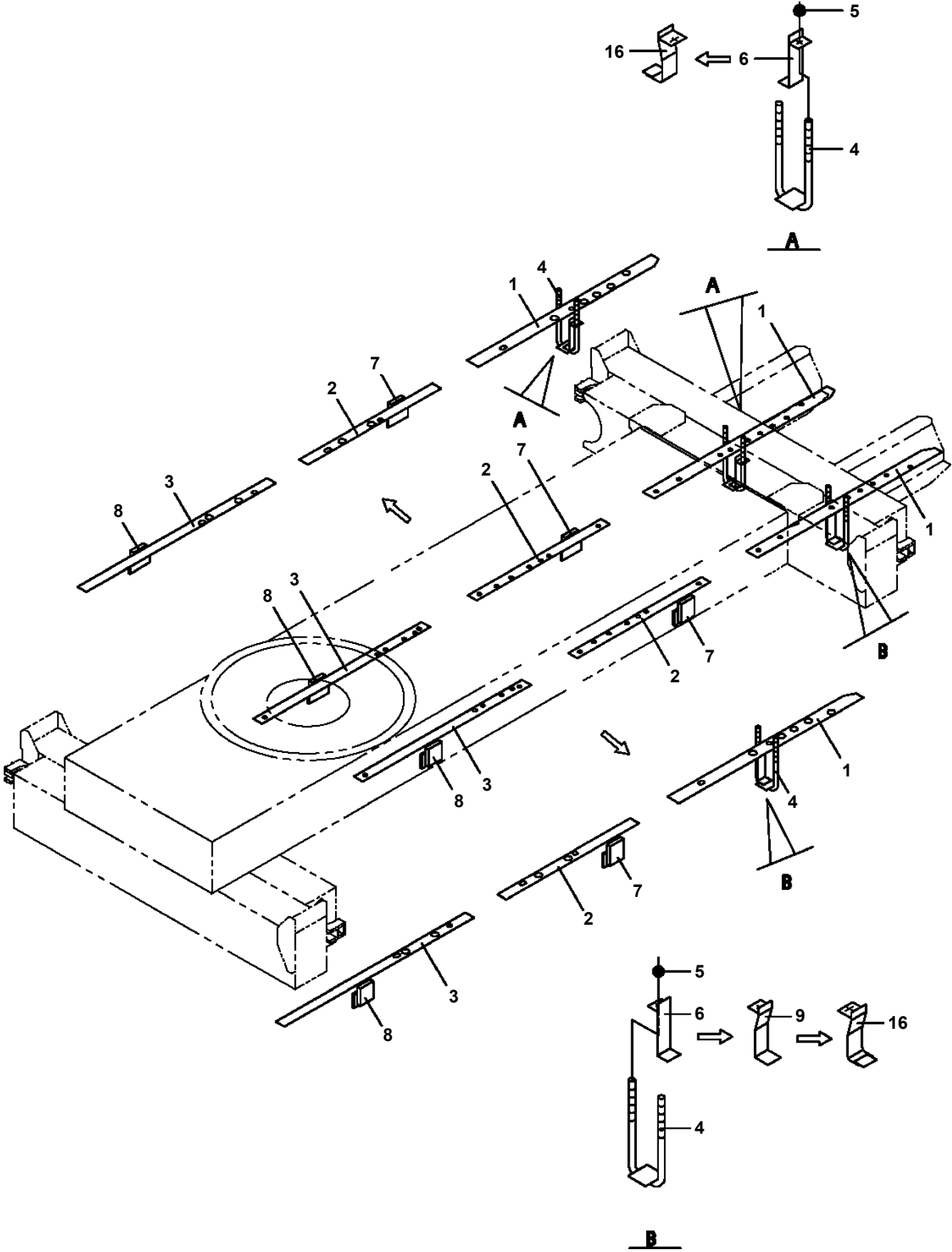
AT-200S-1 42076140200 LOWER,ISUZU KK-NPR72PV-5LXY

Pos No.	Parts No	Parts Name	Qty	Unit	Technical Data	Serial No (Start)	Serial No (End)	Remarks
8	36642935040	RING	4					
9	36646085020	O-RING	2				HF5167	
11	36640085025	SPRING	2					
12	36646085030	SOLENOID	1				HF5167	
104	36642935050	PLUG	1			HF5168		
109	36642935060	O-RING	2			HF5168		
115	90131505050	BOLT,HEXAGON SOCKET	4		M5X50	HF5168		
156	36602555010	O-RING	1			HF5168		
157	36646085031	SOLENOID	1			HF5168		
159	36649855100	O-RING	1			HF5168		
160	36640085015	RETAINER	2			HF5168		
163	36647895010	PROTECTOR	1			HF5168		
200	36645900000	VALVE,SOLENOID	1					

AT-200S-1 42076140200 LOWER,ISUZU KK-NPR72PV-5LXY

Pos No.	Parts No	Parts Name	Qty	Unit	Technical Data	Serial No (Start)	Serial No (End)	Remark
2	90101208016	BOLT	4		M8X16			
3	90302040801	WASHER,SPRING	4		8			
4	91810130240	FASTENER	7					
5	42714372000	HARNES	1					
21	42714371100	SUPPORT	1				HF5163	
	42714371101	SUPPORT	1			HF5164		
22	42714371200	COVER	1				HF5163	
	42714371201	COVER	1			HF5164		
23	90101206012	BOLT	7		M6X12			
24	90302040601	WASHER,SPRING	7		6			
25	42714371400	MOTOR ASSY (ASSY ONLY)	1					
26	90101208035	BOLT	2		M8X35			
27	90201200800	NUT	2		M8			
28	90302040801	WASHER,SPRING	4		8			
29	37000105720	PIN	1					
30	80136320010	PIN,SPLIT	1		2X10			
31	90303070601	WASHER,PLAIN	1		6			
32	82100002006	CLAMP	1		WR10			
33	90303070801	WASHER,PLAIN	2		8			
34	42714371300	SUPPORT	1					
35	90101208020	BOLT	2		M8X20			

**AT-200S-1 42076140200 LOWER, ISUZU KK-NPR72PV-5LXY
PX1170434-02 ATTACHMENT PARTS, CRANE FRAME**



AT-200S-1 42076140200 LOWER,ISUZU KK-NPR72PV-5LXY

Pos No.	Parts No	Parts Name	Qty	Unit	Technical Data	Serial No (Start)	Serial No (End)	Remarks
1	42783840100	SUPPORT	2					
2	90171110022	BOLT	8		M10X22			
3	90201781000	NUT	12		M10			
4	90302041001	WASHER,SPRING	20		10			
5	42783520100	SUPPORT	2					
6	90171110020	BOLT	10		M10X20			
8	90101208025	BOLT	2		M8X25			
9	90201200800	NUT	5		M8			
10	90302040801	WASHER,SPRING	5		8			
11	42780030141	ROD	1					
12	42780030170	PLATE	1					
13	42780030101	PLATE	2					
14	90371053030	WASHER,PLAIN	2					
15	90101208020	BOLT	3		M8X20			
16	37000546910	PLATE	1					
17	82100002040	CLAMP	2		WE15			
18	37000508050	SUPPORT	2					
19	90101210030	BOLT	2		M10X30			
20	90201201000	NUT	2		M10			
21	37002513870	HOSE	1		L=1400			
22	37002513750	HOSE	1		L=1200			
23	82114102020	CONNECTOR	1					
24	82121102020	HOLDER	2					
25	82111101510	TERMINAL	2					
26	82121101085	PLUG (AVS0.85)	4					
27	82114101020	CONNECTOR (2P,MALE)	1					
28	82111101010	TERMINAL	2					
29	42783670100	HARNESS	1					
30	91803600160	CLIP	2		D=11-16			
31	91803600200	CLIP	2		D=13-20			
32	89631501000	HOSE,VINYL	1		18X22,1M			
33	89631301000	HOSE,VINYL	1		22X26,1M			
34	91810130240	FASTENER	4					
35	42780190011	PLATE	1					
36	80181306016	SCREW,MACHINE	1		M6X16			
37	90201200600	NUT	1		M6			
38	90302040601	WASHER,SPRING	2		6			
51	42782051100	SUPPORT	1					
52	42782051200	SUPPORT	1					

CLICK HERE TO **DOWNLOAD** THE COMPLETE MANUAL

- Thank you very much for reading the preview of the manual.
- You can download the complete manual from: www.heydownloads.com by clicking the link below



- Please note: If there is no response to CLICKING the link, please download this PDF first and then click on it.

CLICK HERE TO **DOWNLOAD** THE COMPLETE MANUAL