

**AT-200-2 42013240400 LOWER,ISUZU KC-NPR71LV-5LX**

**PX1000254-03 MOUNTING PARTS**

**PY1000648-00 OPTIONS**

**ASSEMBLY**

CLICK HERE TO **DOWNLOAD** THE COMPLETE MANUAL

- Thank you very much for reading the preview of the manual.
- You can download the complete manual from: [www.heydownloads.com](http://www.heydownloads.com) by clicking the link below



- Please note: If there is no response to CLICKING the link, please download this PDF first and then click on it.

CLICK HERE TO **DOWNLOAD** THE COMPLETE MANUAL

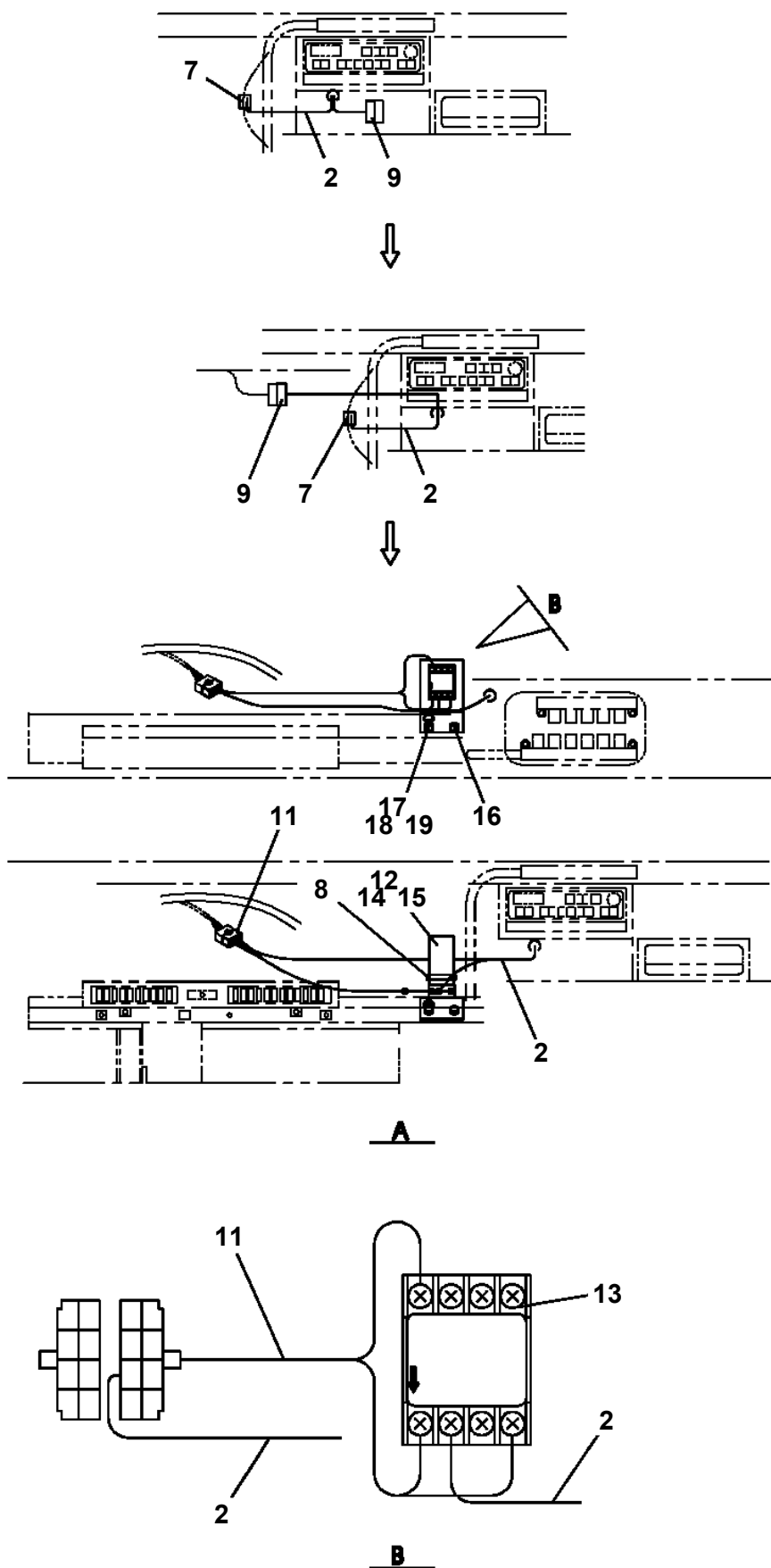
# AT-200-2 42013240400 LOWER,ISUZU KC-NPR71LV-5LX

Pos No.	Parts No	Parts Name	Qty	Unit	Technical Data	Serial No (Start)	Serial No (End)	Remarks	Pages
1	36650715010	COVER (FRONT)	1						
5	36650715020	PLATE (SIDE)	2						
6	36650715030	COVER (REAR)	1						
9	36650715040	GASKET	2						
10	36650715050	GASKET	2						
11	36650715060	BACKUP STRIP	2						
12	53063551010	SEAL,OIL	1						
13	80602110360	RING,RITAINING	1		R36				
14	90302041201	WASHER,SPRING	4		12				
20	36650710000	PUMP,HYDRAULIC	1						

# AT-200-2 42013240400 LOWER,ISUZU KC-NPR71LV-5LX

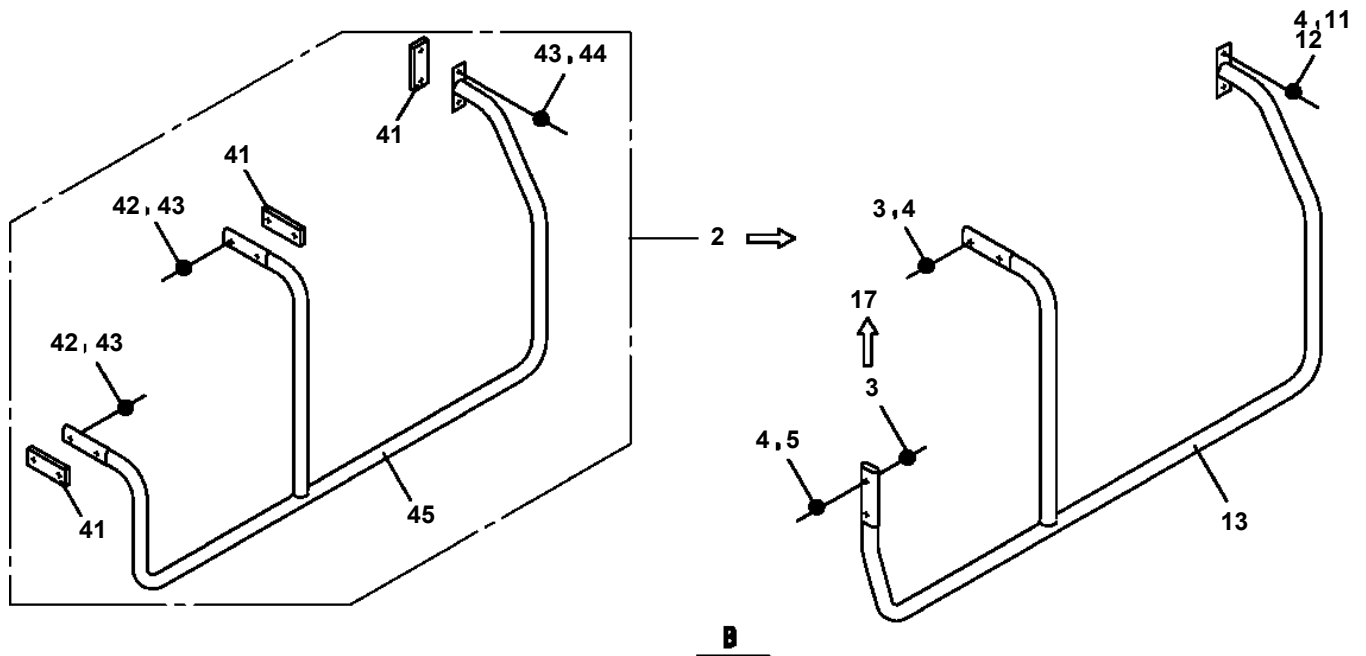
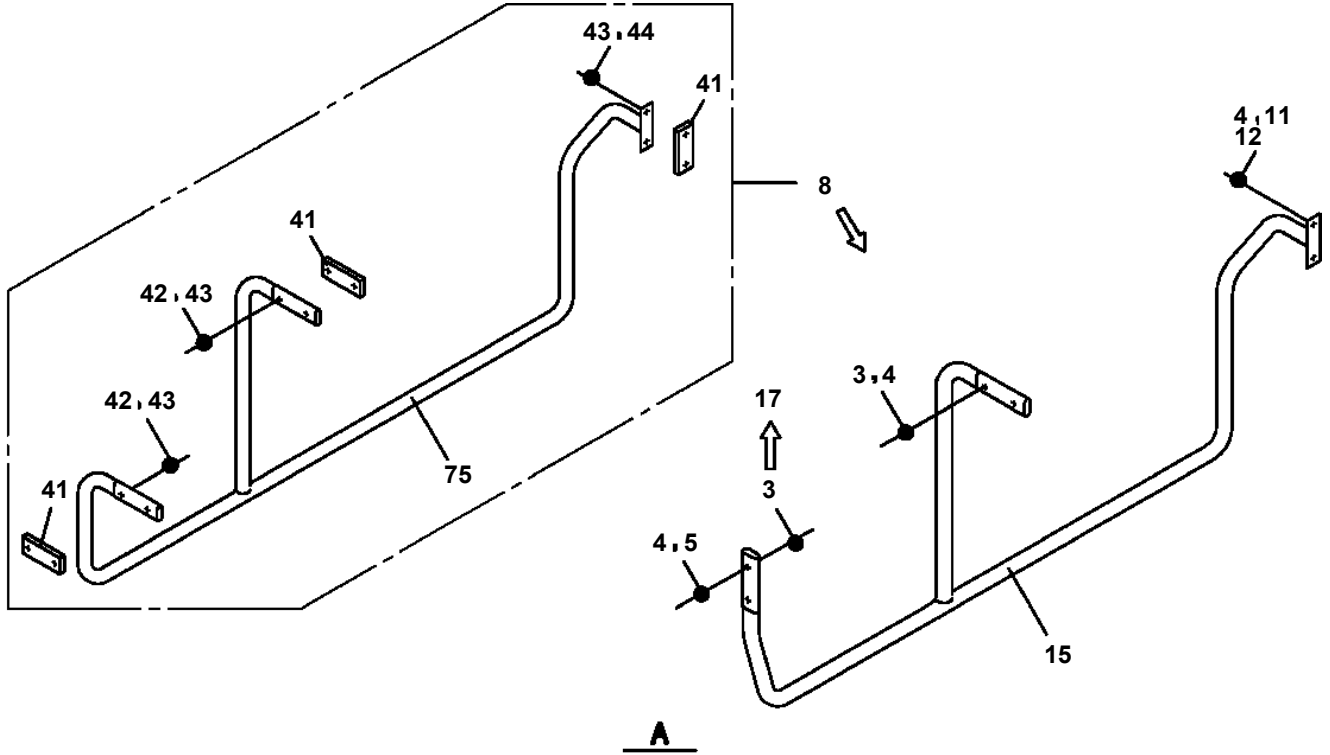
Pos No.	Parts No	Parts Name	Qty	Unit	Technical Data	Serial No (Start)	Serial No (End)	Remarks	Pages
1	42930520050	HARNESS	1						

AT-200-2 42013240400 LOWER,ISUZU KC-NPR71LV-5LX  
PN1011324-02 ELEC.ASSY (CARRIER)

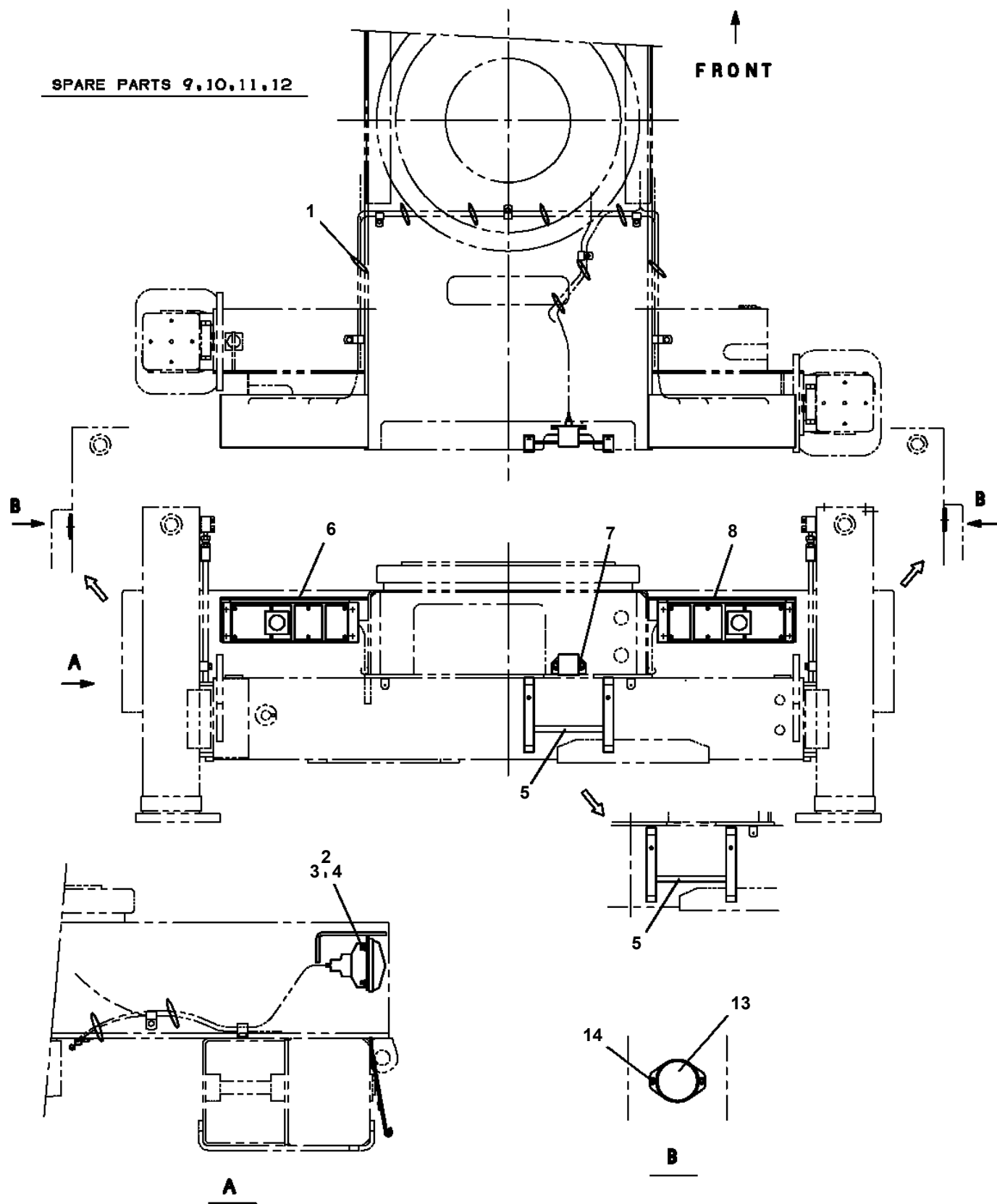




**AT-200-2 42013240400 LOWER, ISUZU KC-NPR71LV-5LX  
PX1200340-03 SIDE GUARD INSTALLATION**



**AT-200-2 42013240400 LOWER,ISUZU KC-NPR71LV-5LX  
PX1310033-02 MOUNT,LAMP (TAIL)**



CLICK HERE TO **DOWNLOAD** THE COMPLETE MANUAL

- Thank you very much for reading the preview of the manual.
- You can download the complete manual from: [www.heydownloads.com](http://www.heydownloads.com) by clicking the link below



- Please note: If there is no response to CLICKING the link, please download this PDF first and then click on it.

CLICK HERE TO **DOWNLOAD** THE COMPLETE MANUAL