

AT-200-2 42013220400 LOWER,MITSUBISHI KC-FE648E6VA

PX1000254-03 MOUNTING PARTS

PY1000648-00 OPTIONS

ASSEMBLY

CLICK HERE TO **DOWNLOAD** THE COMPLETE MANUAL

- Thank you very much for reading the preview of the manual.
- You can download the complete manual from: www.heydownloads.com by clicking the link below



- Please note: If there is no response to CLICKING the link, please download this PDF first and then click on it.

CLICK HERE TO **DOWNLOAD** THE COMPLETE MANUAL

AT-200-2 42013220400 LOWER,MITSUBISHI KC-FE648E6VA

Pos No.	Parts No	Parts Name	Qty	Unit	Technical Data	Serial No (Start)	Serial No (End)	Remarks	Pages
1	36650715010	COVER (FRONT)	1						
5	36650715020	PLATE (SIDE)	2						
6	36650715030	COVER (REAR)	1						
9	36650715040	GASKET	2						
10	36650715050	GASKET	2						
11	36650715060	BACKUP STRIP	2						
12	53063551010	SEAL,OIL	1						
13	80602110360	RING,RITAINING	1		R36				
14	90302041201	WASHER,SPRING	4		12				
20	36650710000	PUMP,HYDRAULIC	1						

AT-200-2 42013220400 LOWER,MITSUBISHI KC-FE648E6VA

Pos No.	Parts No	Parts Name	Qty	Unit	Technical Data	Serial No (Start)	Serial No (End)	Remarks
1	36670105000	HEAD ASSY	1					
2	36672580000	FILTER,CARTRIDGE	1					
10	36670100000	FILTER,OIL (YAMASHIN)	1					

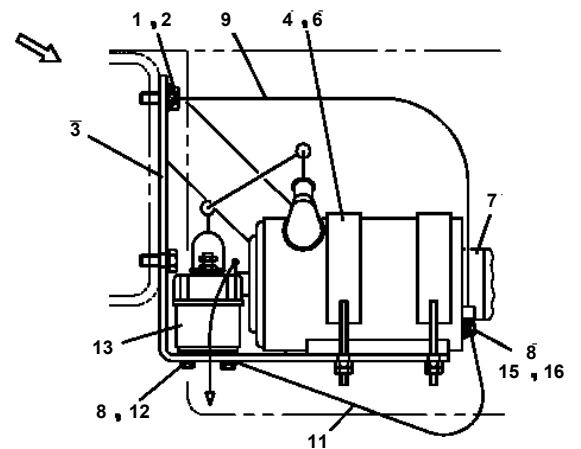
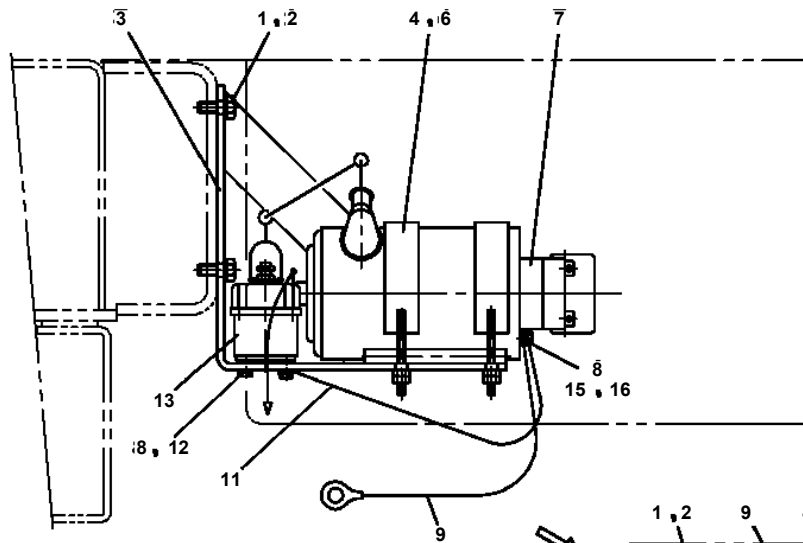
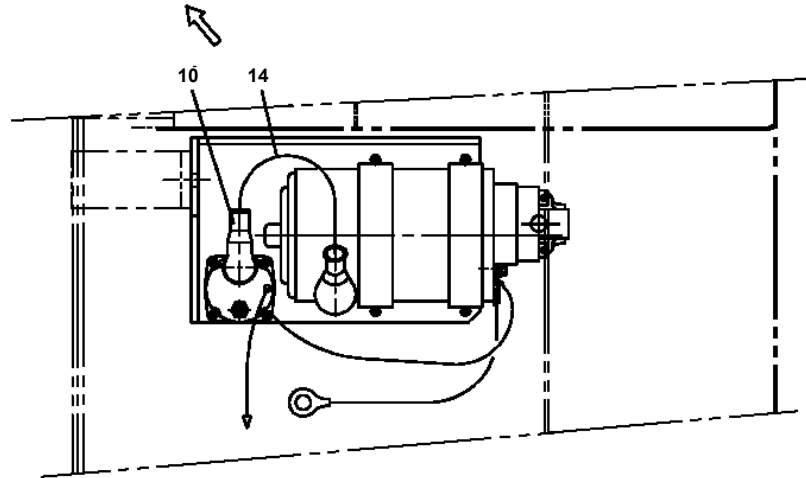
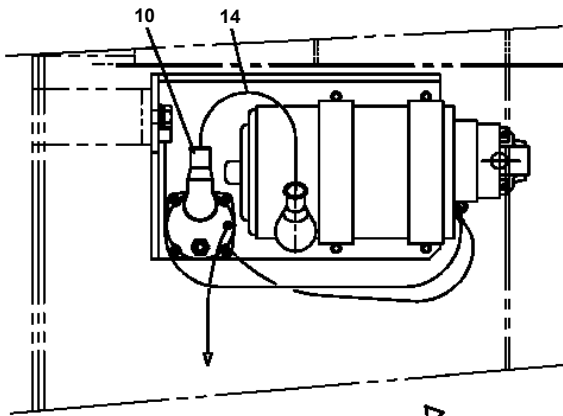
AT-200-2 42013220400 LOWER,MITSUBISHI KC-FE648E6VA

Pos No.	Parts No	Parts Name	Qty	Unit	Technical Data	Serial No (Start)	Serial No (End)	Remarks
1	42803981100	RELAY BOX	1					
2	82100002596	RELAY	10					
3	90101206012	BOLT	12		M6X12			
4	90302040601	WASHER,SPRING	21		6			
5	82161201010	RELAY	2					
6	80172303008	SCREW,MACHINE	4		M3X8			
7	90302040301	WASHER,SPRING	4		3			
8	42711230200	RELAY ASSY (ASSY ONLY)	1					
9	80172306010	SCREW,MACHINE	2		M6X10			
12	82100002293	CONNECTOR	1					
13	82100002256	TERMINAL	9					
14	82100002334	PLUG	1					
15	42803981600	SUPPORT	1					
16	42805461101	BOX ASSY (FUSE)	1					
17	80182306014	SCREW,MACHINE	6		M6X14			
18	90303070601	WASHER,PLAIN	4		6			
19	42350250050	PLUG	1					
20	82100002014	CLAMP	1		WR20			
21	82100002333	PLUG	1					
22	37000512320	PLATE	4					
23	82100002284	CONNECTOR	1					
24	82100002258	TERMINAL	24				380224	
	82100002258	TERMINAL	26			380225		
25	82100002329	PLUG	1					
26	82100002296	CONNECTOR	1					
27	82100002335	PLUG	1					
28	82100000969	PLUG	6				380224	
29	82100002292	CONNECTOR	1					
41	34351562510	BOX,FUSE	1					
42	42805461111	HARNESS	1					
43	82100001840	FUSE	2		15A,BLUE			
44	82100001839	FUSE	4		10A.RED		380224	
	82100001839	FUSE	3		10A.RED	380225		
45	82100001837	FUSE	5		5A			
46	82100001842	FUSE	1		25A			
47	82100001843	FUSE	1		30A.GREEN	380225		
100	42805461001	RELAY ASSY (BOX)	1					

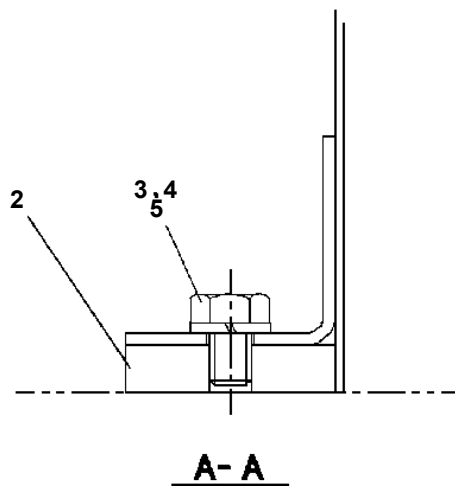
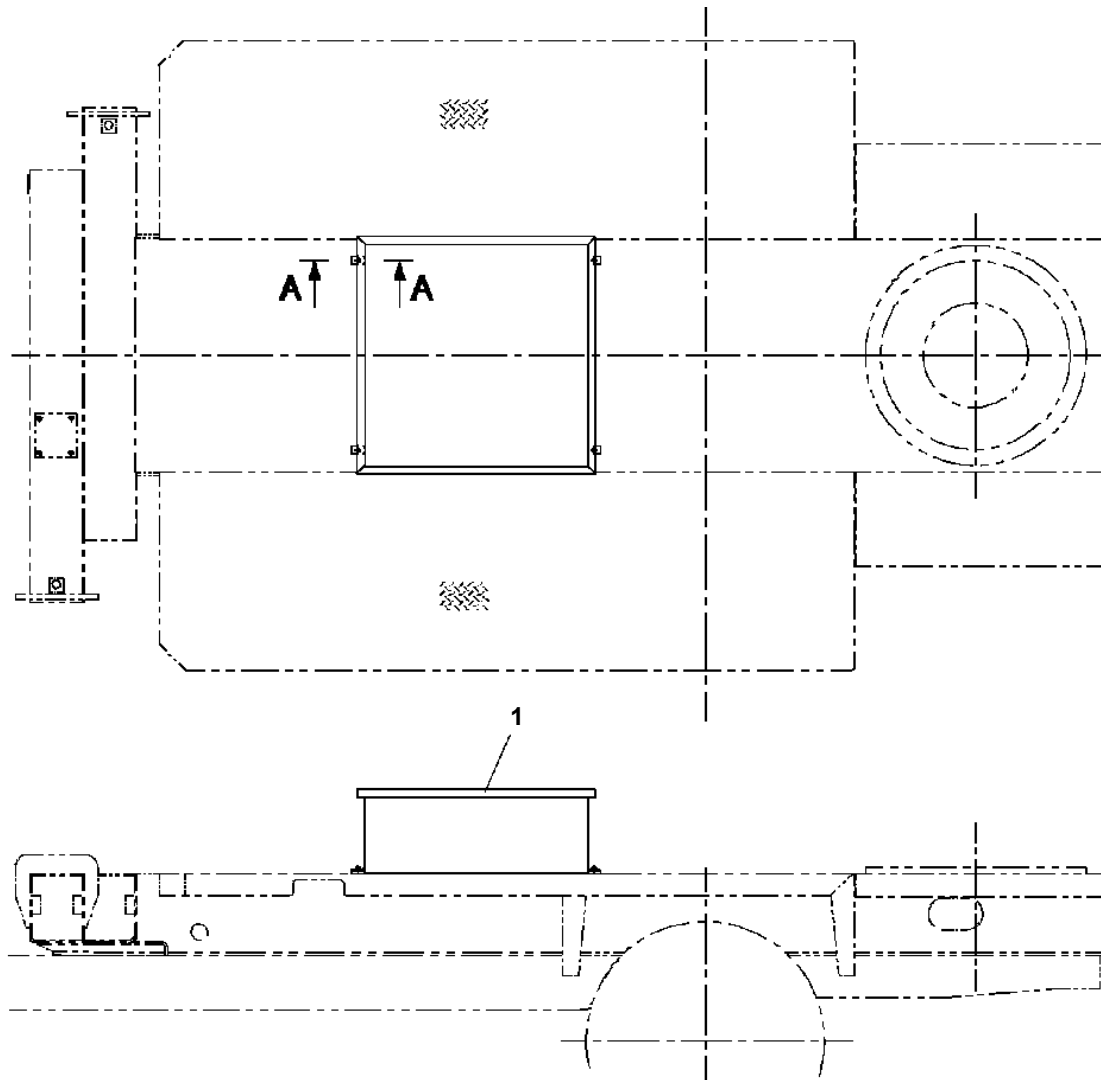
AT-200-2 42013220400 LOWER,MITSUBISHI KC-FE648E6VA

Pos No.	Parts No	Parts Name	Qty	Unit	Technical Data	Serial No (Start)	Serial No (End)	Remarks	Pages
1	42880020010	SUPPORT	1						
2	90201201000	NUT	4		M10				
3	59460009000	BAND	2						
4	37000507620	PLATE	2						
5	56560009000	PIN	2						
6	80136330025	PIN,SPLIT	2						
7	90303071201	WASHER,PLAIN	2		12				
8	37000510680	PLATE	1						
9	90171112025	BOLT	4		M12X25				
10	90302041201	WASHER,SPRING	4		12				
11	42880950100	SUPPORT	1						
29	37000508640	PLATE	4						
30	37000508650	PLATE	2						

**AT-200-2 42013220400 LOWER, MITSUBISHI KC-FE648E6VA
PX1220164-01 PUMP INSTALLATION (EMERGENCY)**



**AT-200-2 42013220400 LOWER, MITSUBISHI KC-FE648E6VA
PX1350131-01 TOOL BOX INSTALLATION**



CLICK HERE TO **DOWNLOAD** THE COMPLETE MANUAL

- Thank you very much for reading the preview of the manual.
- You can download the complete manual from: www.heydownloads.com by clicking the link below



- Please note: If there is no response to CLICKING the link, please download this PDF first and then click on it.

CLICK HERE TO **DOWNLOAD** THE COMPLETE MANUAL