

AT-185-1 42004111100 LOWER,NISSAN DIESEL CMF87EHRA

PX1000014-05 MOUNTING PARTS

PY1000771-00 OPTIONS

ASSEMBLY

CLICK HERE TO **DOWNLOAD** THE COMPLETE MANUAL

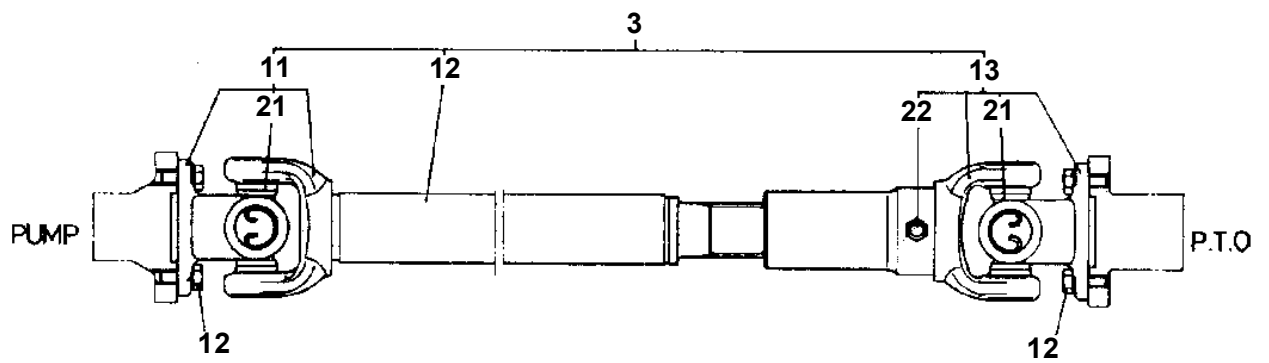
- Thank you very much for reading the preview of the manual.
- You can download the complete manual from: www.heydownloads.com by clicking the link below



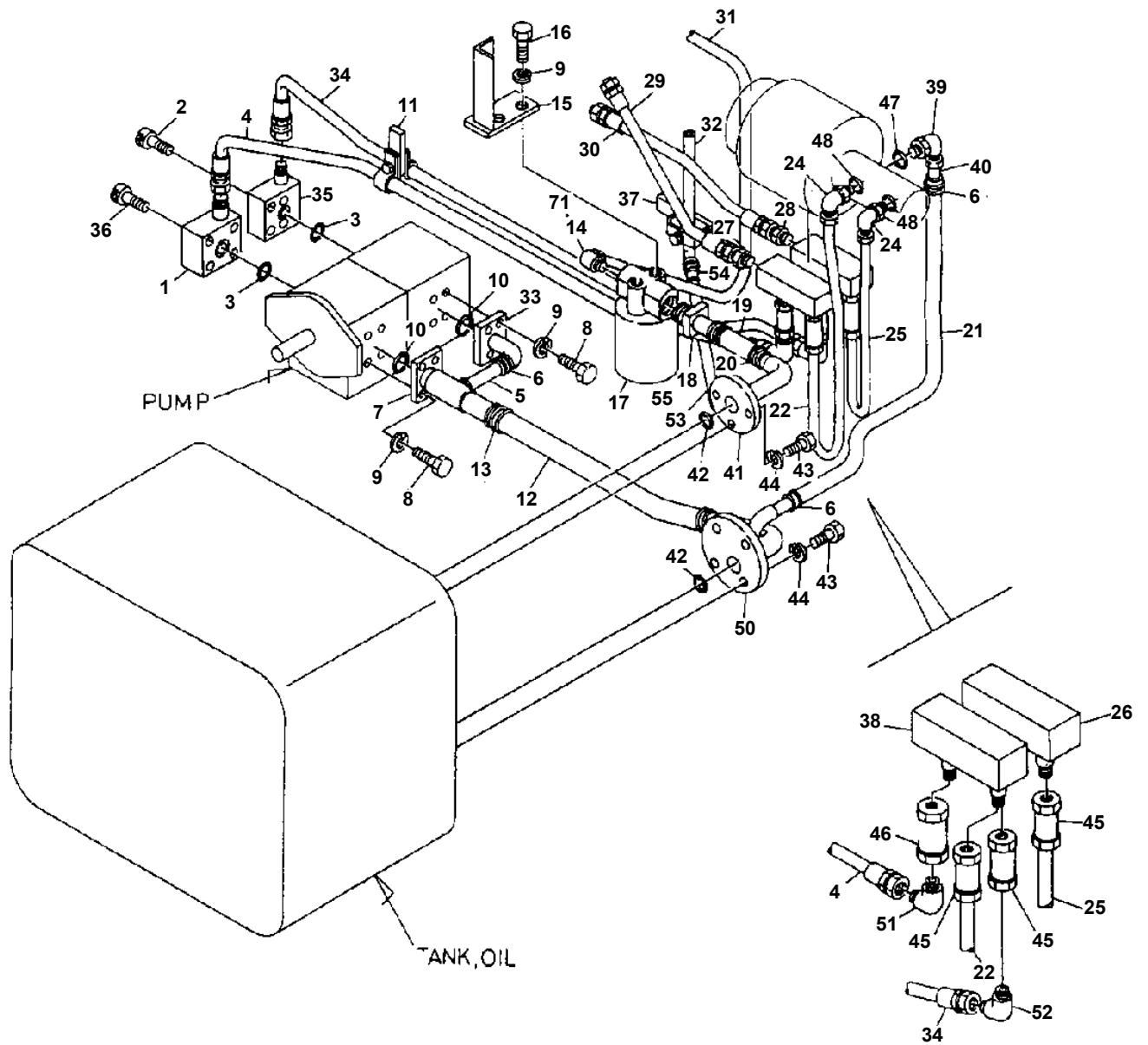
- Please note: If there is no response to CLICKING the link, please download this PDF first and then click on it.

CLICK HERE TO **DOWNLOAD** THE COMPLETE MANUAL

**AT-185-1 42004111100 LOWER,NISSAN DIESEL CMF87EHRA
PB1070011-00 PROPELLER SHAFT,PUMP**



**AT-185-1 42004111100 LOWER,NISSAN DIESEL CMF87EHRA
PB1410358-01 PIPING,HYDRAULIC LOWER**



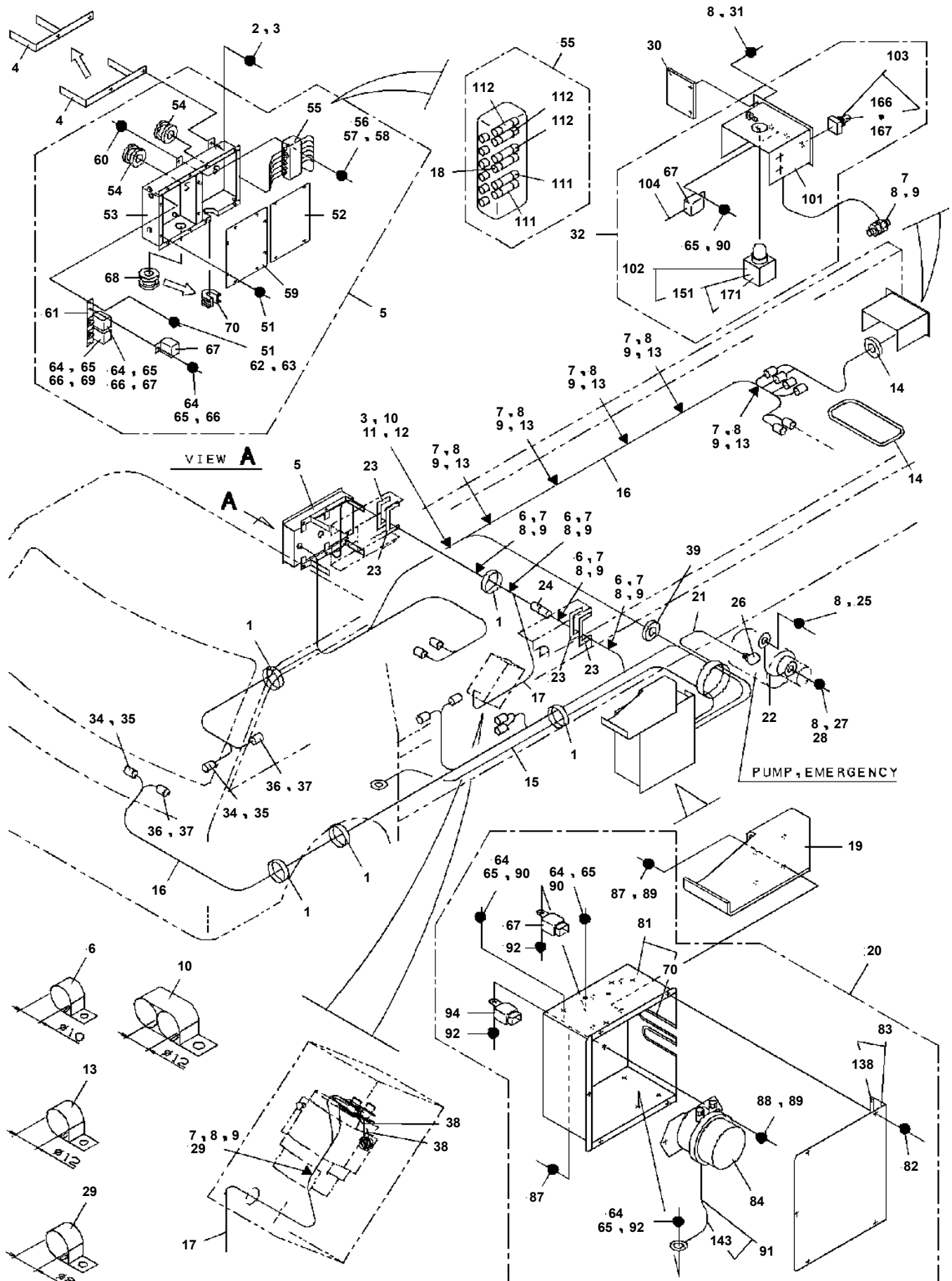
AT-185-1 42004111100 LOWER,NISSAN DIESEL CMF87EHRA

Pos No.	Parts No	Parts Name	Qty	Unit	Technical Data	Serial No (Start)	Serial No (End)	Rem
2	91660003001	SEAL,DUST	1					
4	91694003000	PACKING	1					
5	91002904000	O-RING	1		1B G40			
6	36040335021	COVER,ROD	1					
7	36040575012	CYLINDER	1					
8	36040575021	ROD	1					
12	90209201800	NUT	1		M18			
13	90302041801	WASHER,SPRING	1		18			
15	36041030300	PISTON	1					
16	91100104500	SEAL,RING	1					
40	36042419900	PACKING SET	1		30X45			
100	36040570000	CYLINDER,EXTENSION (REAR)	1					

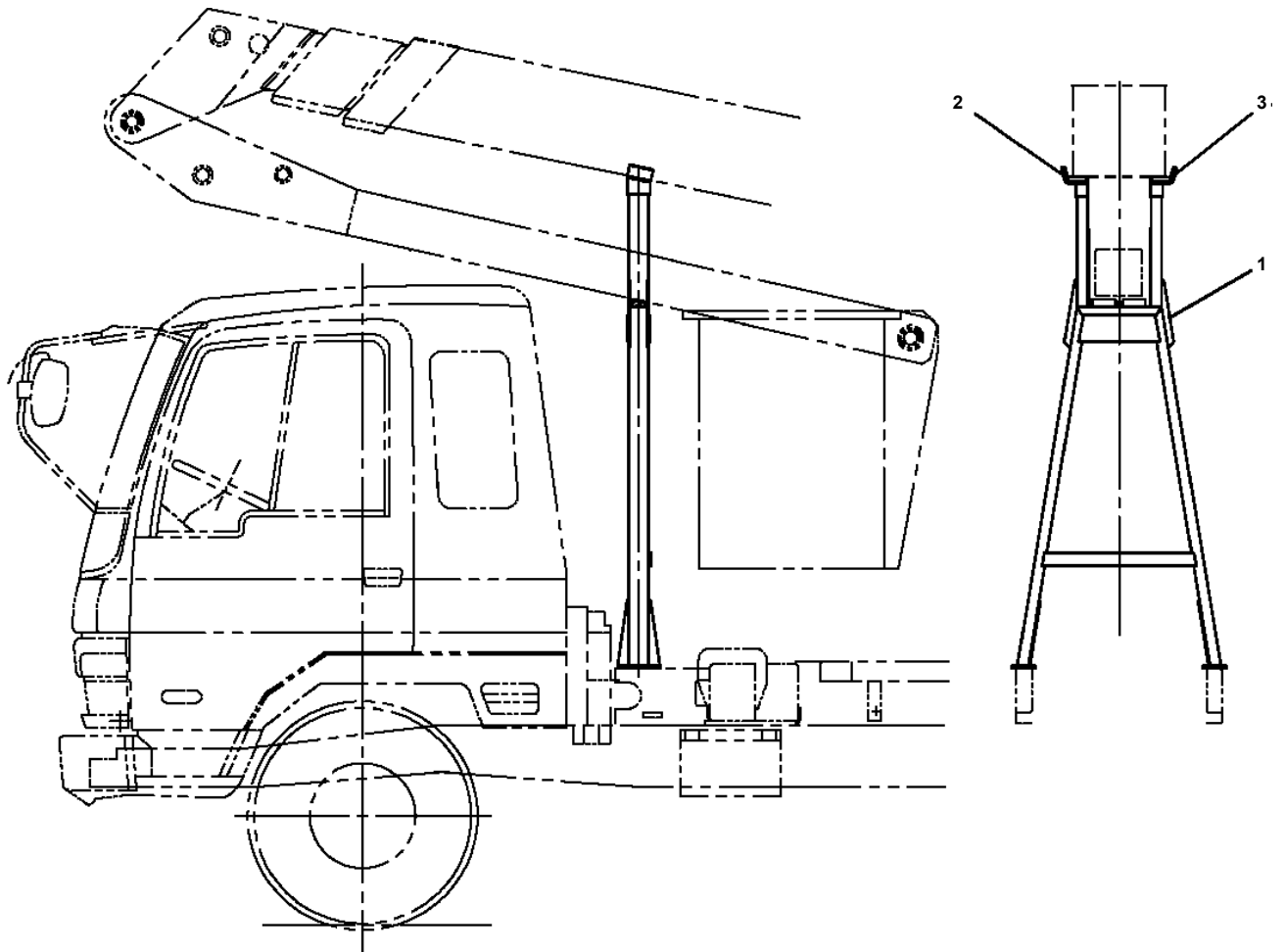
AT-185-1 42004111100 LOWER,NISSAN DIESEL CMF87EHRA

Pos No.	Parts No	Parts Name	Qty	Unit	Technical Data	Serial No (Start)	Serial No (End)	Remarks	Pages
100	42800040030	HARNESS	1						

AT-185-1 42004111100 LOWER,NISSAN DIESEL CMF87EHRA PN1011921-01 ELECTRICAL ACCESSORIES



**AT-185-1 42004111100 LOWER,NISSAN DIESEL CMF87EHRA
PX1120296-00 BOOM REST INSTALLATION**



AT-185-1 42004111100 LOWER,NISSAN DIESEL CMF87EHRA

Pos No.	Parts No	Parts Name	Qty	Unit	Technical Data	Serial No (Start)	Serial No (End)	Remarks	Pages
1	42810080100	STEP	1						
2	42810080200	STEP	1						
3	37000510060	PLATE	2						
4	90101508014	BOLT	8		M8X14				
5	90302040801	WASHER,SPRING	8		8				
6	37000566780	PLATE	2						

CLICK HERE TO **DOWNLOAD** THE COMPLETE MANUAL

- Thank you very much for reading the preview of the manual.
- You can download the complete manual from: www.heydownloads.com by clicking the link below



- Please note: If there is no response to CLICKING the link, please download this PDF first and then click on it.

CLICK HERE TO **DOWNLOAD** THE COMPLETE MANUAL