

AT-170-1 42087131700 LOWER,HINO BDG-XZU334M-TKMSD3

PB3000080-00 POWER UNIT
PO1000171-00 INDICATION PLATES
PX2001288-00 CARRIER UNIT
PX3000296-00 MOUNTING UNIT
PY1001337-00 OPTIONS,1
ASSEMBLY

CLICK HERE TO **DOWNLOAD** THE COMPLETE MANUAL

- Thank you very much for reading the preview of the manual.
- You can download the complete manual from: www.heydownloads.com by clicking the link below



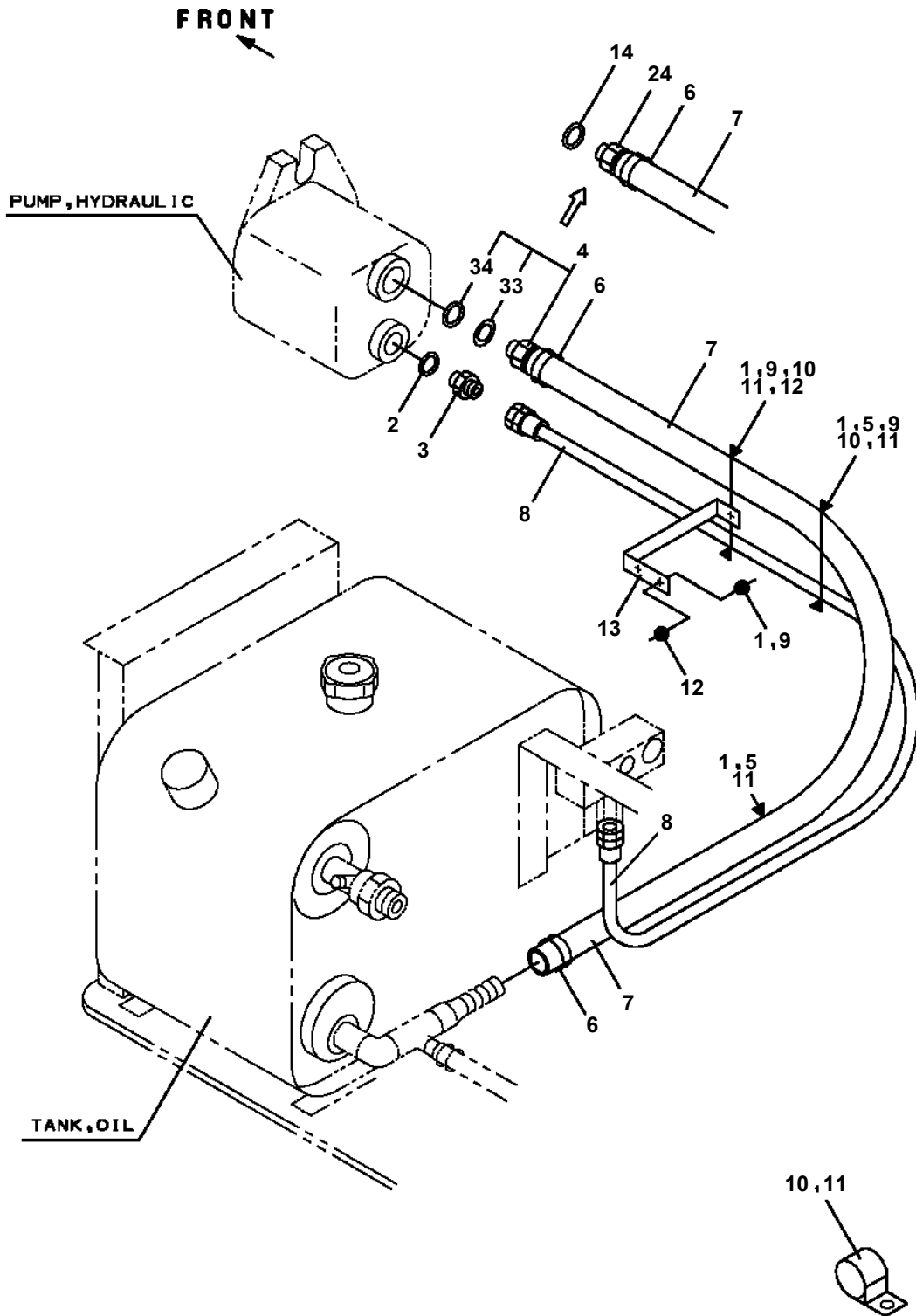
- Please note: If there is no response to CLICKING the link, please download this PDF first and then click on it.

CLICK HERE TO **DOWNLOAD** THE COMPLETE MANUAL

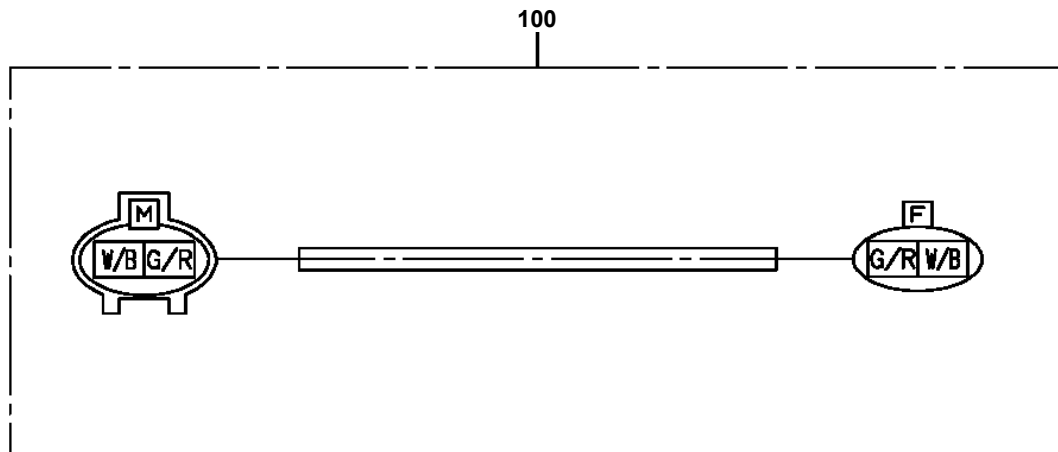
AT-170-1 42087131700 LOWER,HINO BDG-XZU334M-TKMSD3

Pos No.	Parts No	Parts Name	Qty	Unit	Technical Data	Serial No (Start)	Serial No (End)	Remarks	Pages
1	(*****)	ALARM SYSTEM	1						000037
2	(*****)	ELEC.ASSY	1						000020

AT-170-1 42087131700 LOWER,HINO BDG-XZU334M-TKMSD3
PB1411114-02 PIPING,LOWER



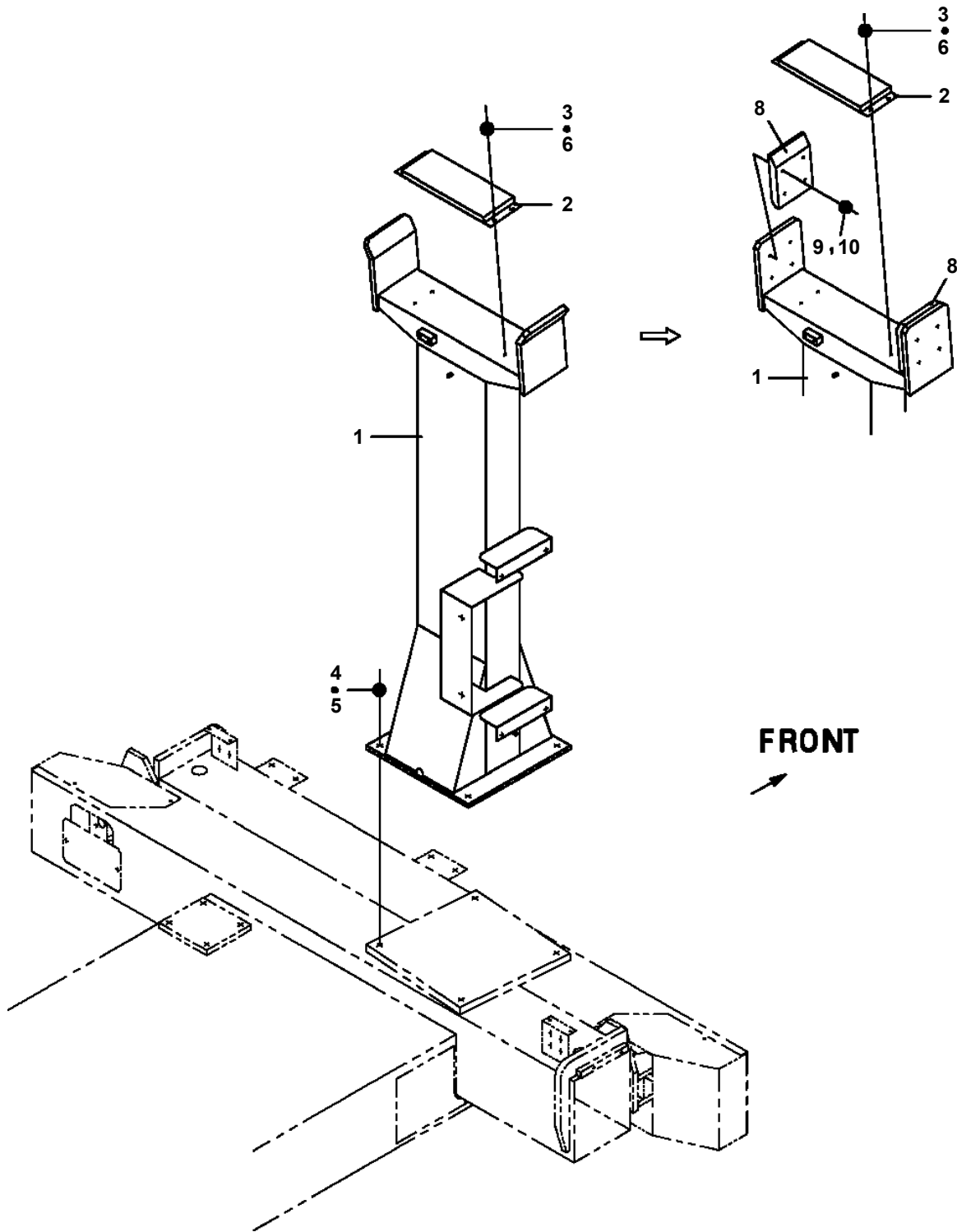
AT-170-1 42087131700 LOWER,HINO BDG-XZU334M-TKMSD3
PH5034401-00 HARNESS



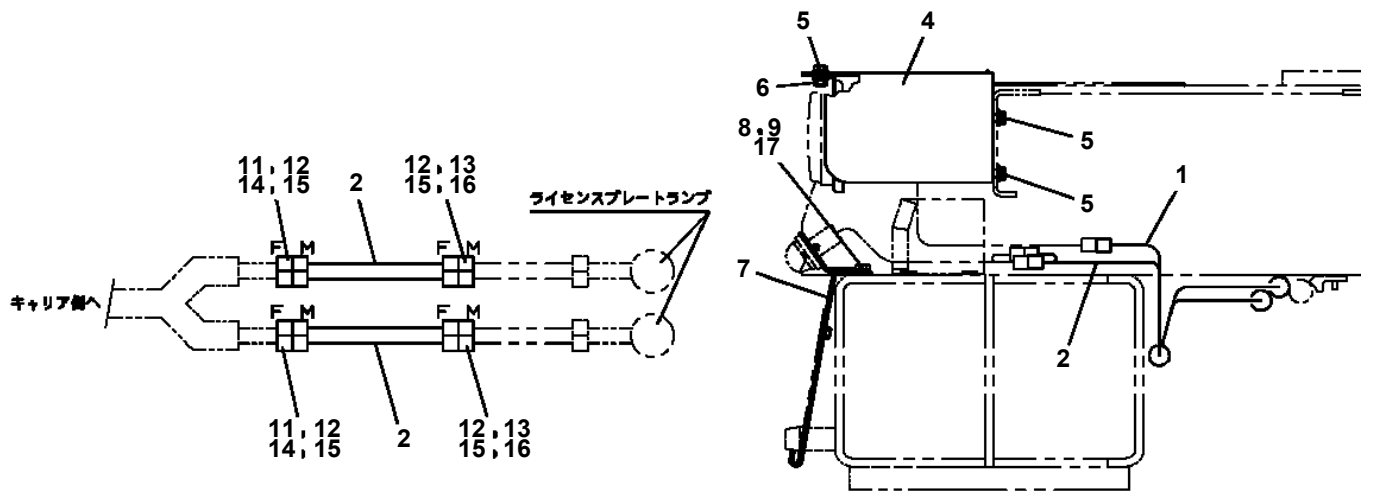
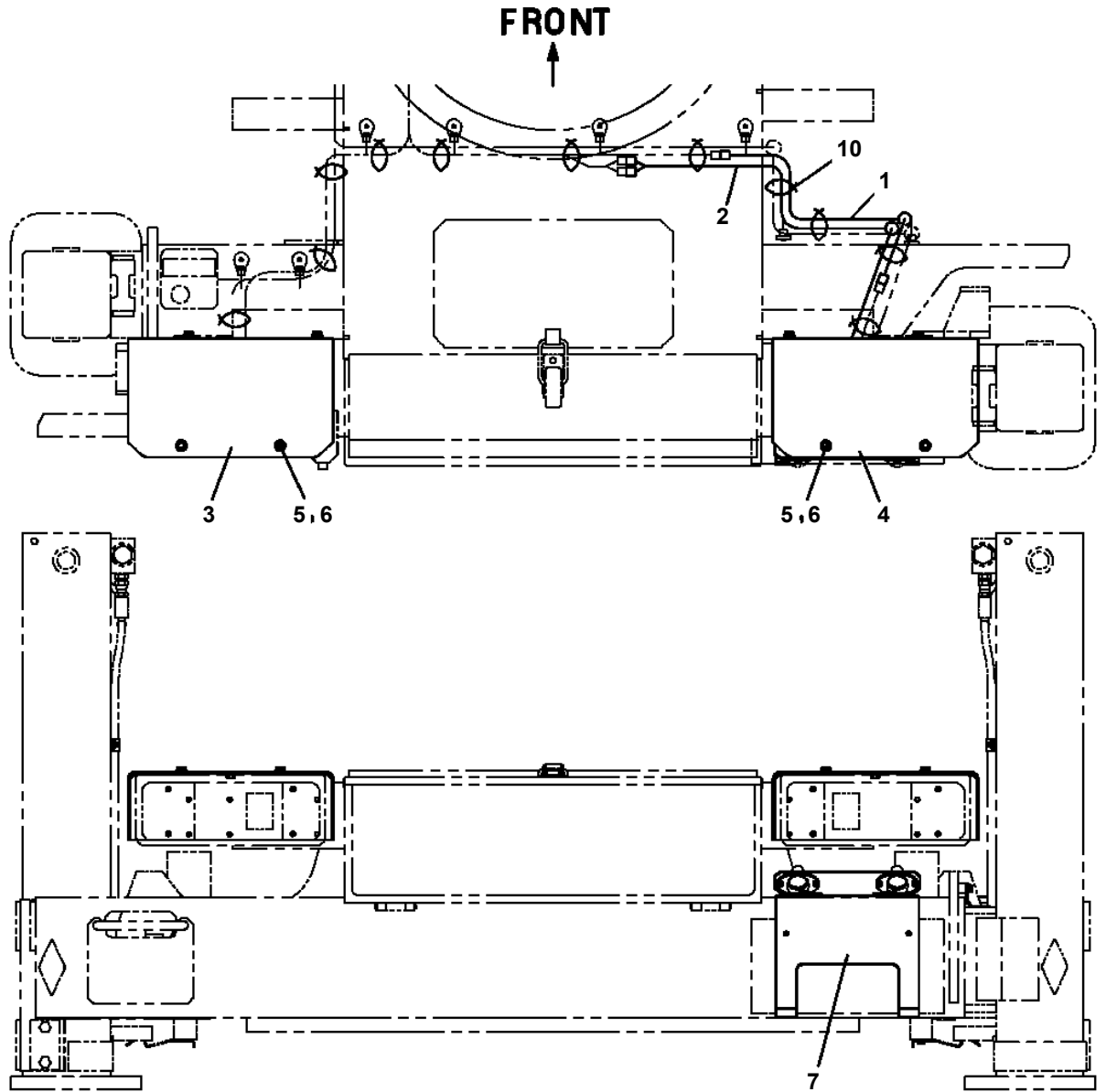
AT-170-1 42087131700 LOWER,HINO BDG-XZU334M-TKMSD3

Pos No.	Parts No	Parts Name	Qty	Unit	Technical Data	Serial No (Start)	Serial No (End)	Re
1	42971441200	COVER	1					
2	42971441300	SUPPORT	1					
3	42971431100	LAMP ASSY (WITH HARNESS)	1					
4	42652120300	BUZZER ASSY	1					
5	90101206012	BOLT	8		M6X12			
6	90302040601	WASHER,SPRING	8		6			
7	82400000200	GROMMET	1		KG-012,L=250	230882	230881	
	82400000221	GROMMET	1					
8	80172304012	SCREW,MACHINE	2		M4X12			
9	90303070401	WASHER,PLAIN	2		4			
10	90302040401	WASHER,SPRING	2		4			
11	90201200400	NUT	2		M4			
12	82100000920	GROMMET	1				230881	
13	42971441500	HARNESS	1					
14	91810130240	FASTENER	5					
15	42971431300	PLATE,NAME	1					
16	42971431200	PLATE,CAUTION	1					
17	42971431400	SWITCH ASSY (WITH HARNESS)	1					
18	42971431800	PLATE,NAME	1					
19	82199504017	NUT	1		AT-401N			
20	82199514013	CAP	1					
34	82400000201	GROMMET	1		KG-016			
42	82121800010	PLUG (OTUKA)	1			230882		

**AT-170-1 42087131700 LOWER,HINO BDG-XZU334M-TKMSD3
PX1120590-00 BOOM REST**



AT-170-1 42087131700 LOWER, HINO BDG-XZU334M-TKMSD3
 PX1310315-00 MOUNT, LAMP (TAIL)



ライセンスプレートランプハーネス延長要領

A

CLICK HERE TO **DOWNLOAD** THE COMPLETE MANUAL

- Thank you very much for reading the preview of the manual.
- You can download the complete manual from: www.heydownloads.com by clicking the link below



- Please note: If there is no response to CLICKING the link, please download this PDF first and then click on it.

CLICK HERE TO **DOWNLOAD** THE COMPLETE MANUAL