

AT-157-1 43002141900 LOWER,ISUZU SKG-NKR85N-EJ5AHY

PB3000025-00 POWER UNIT
PO1000189-00 INDICATION PLATES
PX2001324-00 CARRIER UNIT
PX3000745-00 MOUNTING UNIT
PY1001373-04 OPTIONS,1
ASSEMBLY

CLICK HERE TO **DOWNLOAD** THE COMPLETE MANUAL

- Thank you very much for reading the preview of the manual.
- You can download the complete manual from: www.heydownloads.com by clicking the link below



- Please note: If there is no response to CLICKING the link, please download this PDF first and then click on it.

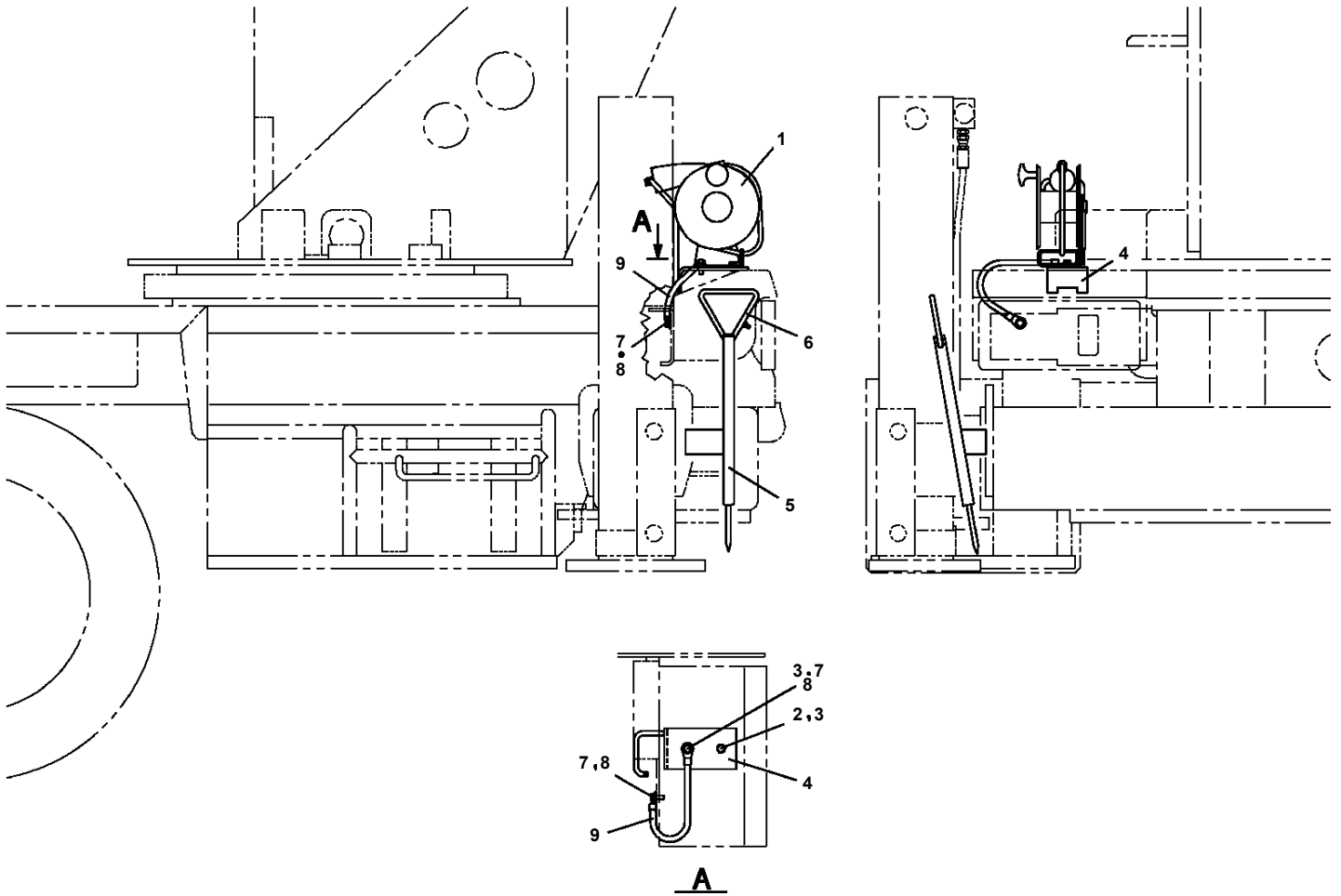
CLICK HERE TO **DOWNLOAD** THE COMPLETE MANUAL

AT-157-1 43002141900 LOWER,ISUZU SKG-NKR85N-EJ5AHY

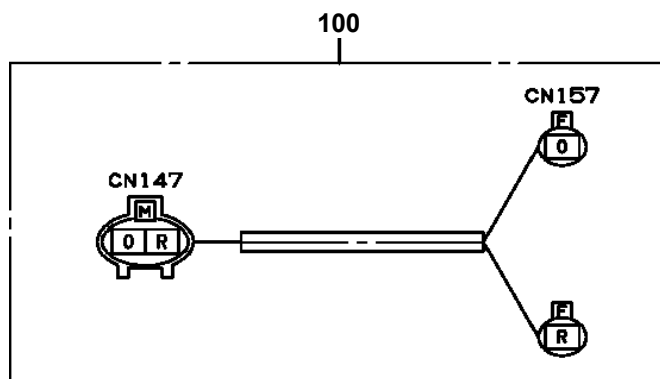
PB1050172-00 OPE.ASSY,P.T.O. (COUPLING)
PB1100101-02 PUMP,HYDRAULIC (EMERGENCY)
PB1110012-01 PUMP INSTALLATION
PB1110013-00 MOUNT,PUMP (EMERGENCY)
PB1411637-00 PIPING,LOWER
PE5010005-00 EARTH ASSY
PE5020186-00 ELEC.ASSY
PH5030683-00 HARNESS
PH5030745-00 HARNESS
PH5030979-00 HARNESS
PH5031600-00 HARNESS
PH5031756-00 HARNESS
PH5034174-00 HARNESS
PL1031147-01 OPE.ASSY,ACCELERATOR
PM5150235-03 MODIFICATION ASSY
PN1014766-02 ELEC.ASSY
PN1015008-01 ELEC.ASSY (CARRIER)
PN1350027-01 REEL,CORD
PO1015248-01 PLATE ASSY,NAME (IN CAB)
PP5500003-00 PUMP,OIL (32CC:L)
PX1120620-01 BOOM REST
PX1290427-01 WEIGHT
PX1360080-00 REFLECTOR (REAR)
PX1410189-01 MOUNT,TIRE
PX1830013-00 COUPLING
PX5010174-00 MOUNT ASSY (FRONT NO.)
PX5280020-00 MOUNT ASSY,DECK (FENDER)
PX5290026-00 MOUNT ASSY,DECK ON CAB (PROTECTION FOR FRONT GLASS)
PX5360033-01 MOUNT ASSY,FRAME
PX5650021-00 MOUNT ASSY,SIDE GUARD
PX5740016-00 MOUNT ASSY,TAIL LAMP
PY5170012-00 ALARM ASSY

AT-157-1 43002141900 LOWER,ISUZU SKG-NKR85N-EJ5AHY
PE5010005-00 EARTH ASSY

FRONT ←



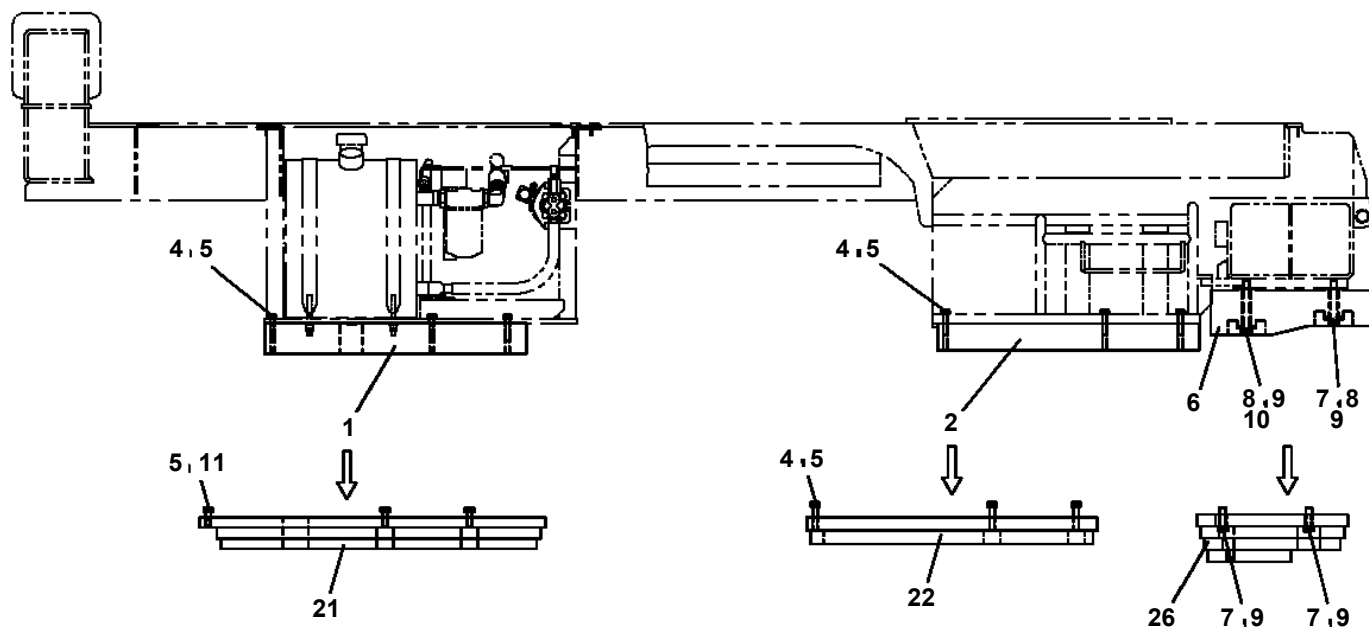
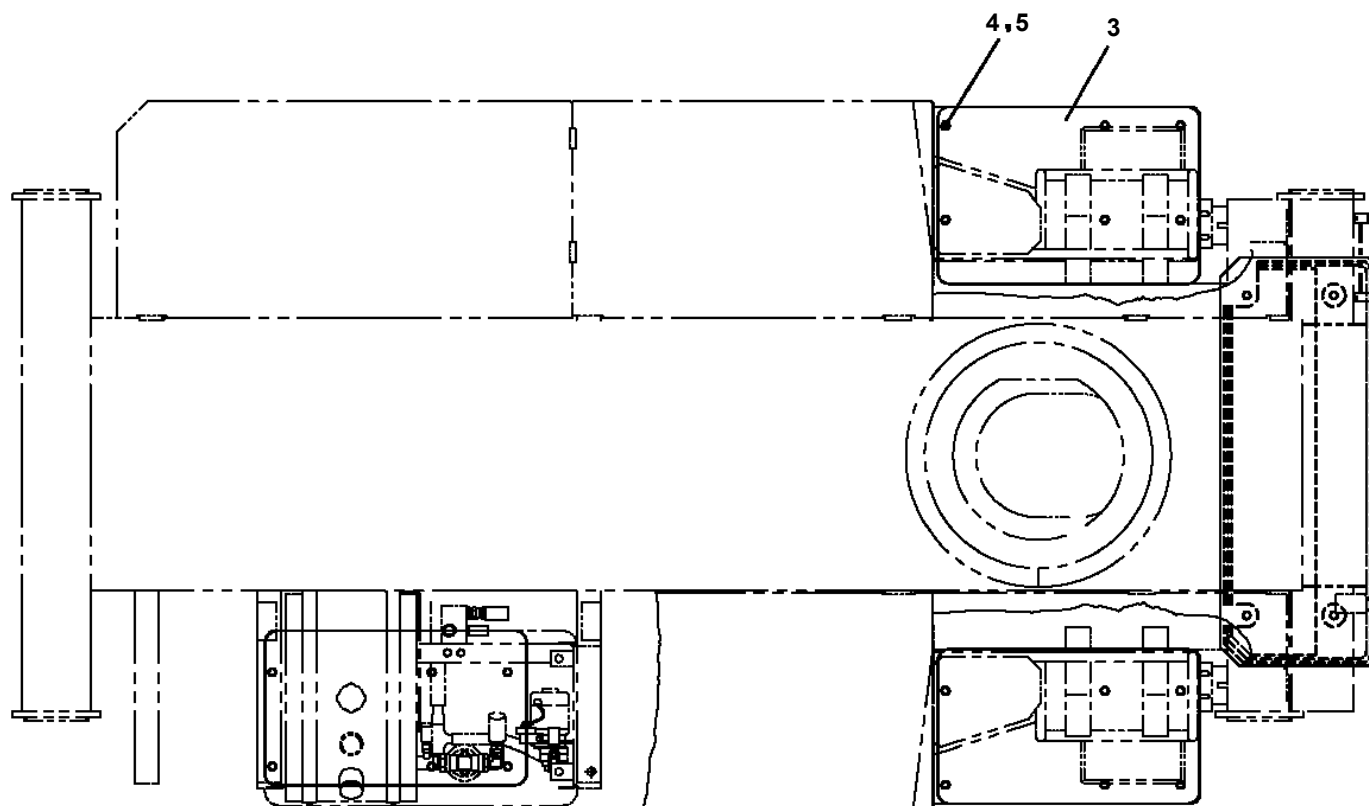
AT-157-1 43002141900 LOWER,ISUZU SKG-NKR85N-EJ5AHY
PH5031600-00 HARNESS



AT-157-1 43002141900 LOWER,ISUZU SKG-NKR85N-EJ5AHY

Pos No.	Parts No	Parts Name	Qty	Unit	Technical Data	Serial No (Start)	Serial No (End)	Remarks	Page
1	42971433100	HARNESS	1						0000
2	82100001801	TUBE,CORRUGATE	1	M	7				

AT-157-1 43002141900 LOWER,ISUZU SKG-NKR85N-EJ5AHY
PX1290427-01 WEIGHT



AT-157-1 43002141900 LOWER,ISUZU SKG-NKR85N-EJ5AHY

Pos No.	Parts No	Parts Name	Qty	Unit	Technical Data	Serial No (Start)	Serial No (End)	Remarks	Pages
1	42990080102	FENDER	1						
2	42990080202	FENDER	1						
3	42990080300	FENDER	1						
4	42990080400	FENDER	1						
5	42990080500	FENDER	1						
6	42990080600	FENDER	1						
7	90201200800	NUT	26		M8				
8	37000547660	PLATE	28		T=2.3				
9	90101208020	BOLT	2		M8X20				
10	37000549940	PLATE	26		T=3.2				
11	90101210020	BOLT	4		M10X20				
12	32200353500	SHIM	8		T=1.2				
13	42990080700	SUPPORT	1						
14	90302040801	WASHER,SPRING	26		8				
15	90302041001	WASHER,SPRING	4		10				

CLICK HERE TO **DOWNLOAD** THE COMPLETE MANUAL

- Thank you very much for reading the preview of the manual.
- You can download the complete manual from: www.heydownloads.com by clicking the link below



- Please note: If there is no response to CLICKING the link, please download this PDF first and then click on it.

CLICK HERE TO **DOWNLOAD** THE COMPLETE MANUAL