

AT-155-1 42011110400 LOWER,NISSAN U-LG2YS41/LW2S
PX1000095-04 MOUNTING PARTS
ASSEMBLY

CLICK HERE TO **DOWNLOAD** THE COMPLETE MANUAL

- Thank you very much for reading the preview of the manual.
- You can download the complete manual from: www.heydownloads.com by clicking the link below



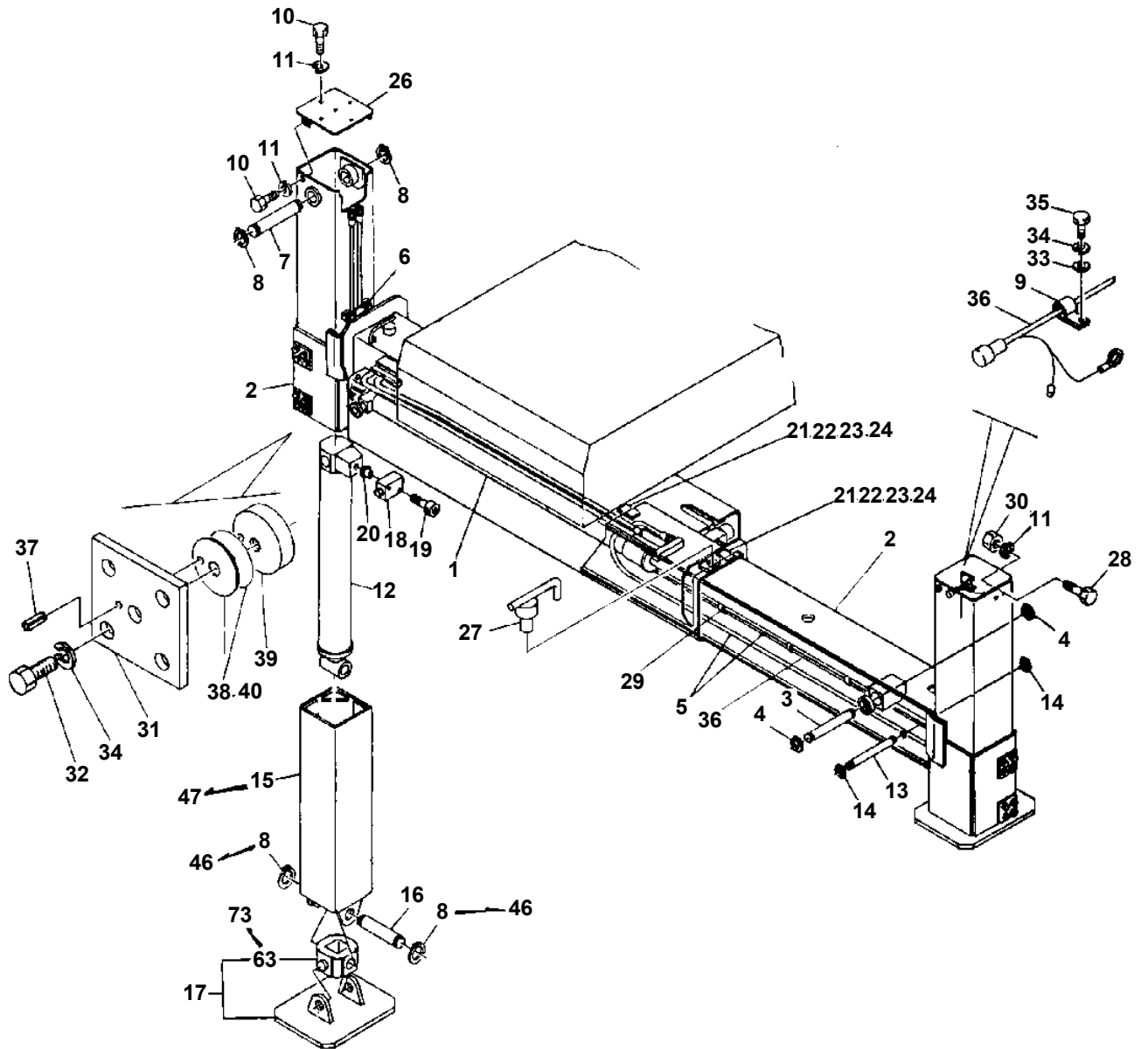
- Please note: If there is no response to CLICKING the link, please download this PDF first and then click on it.

CLICK HERE TO **DOWNLOAD** THE COMPLETE MANUAL

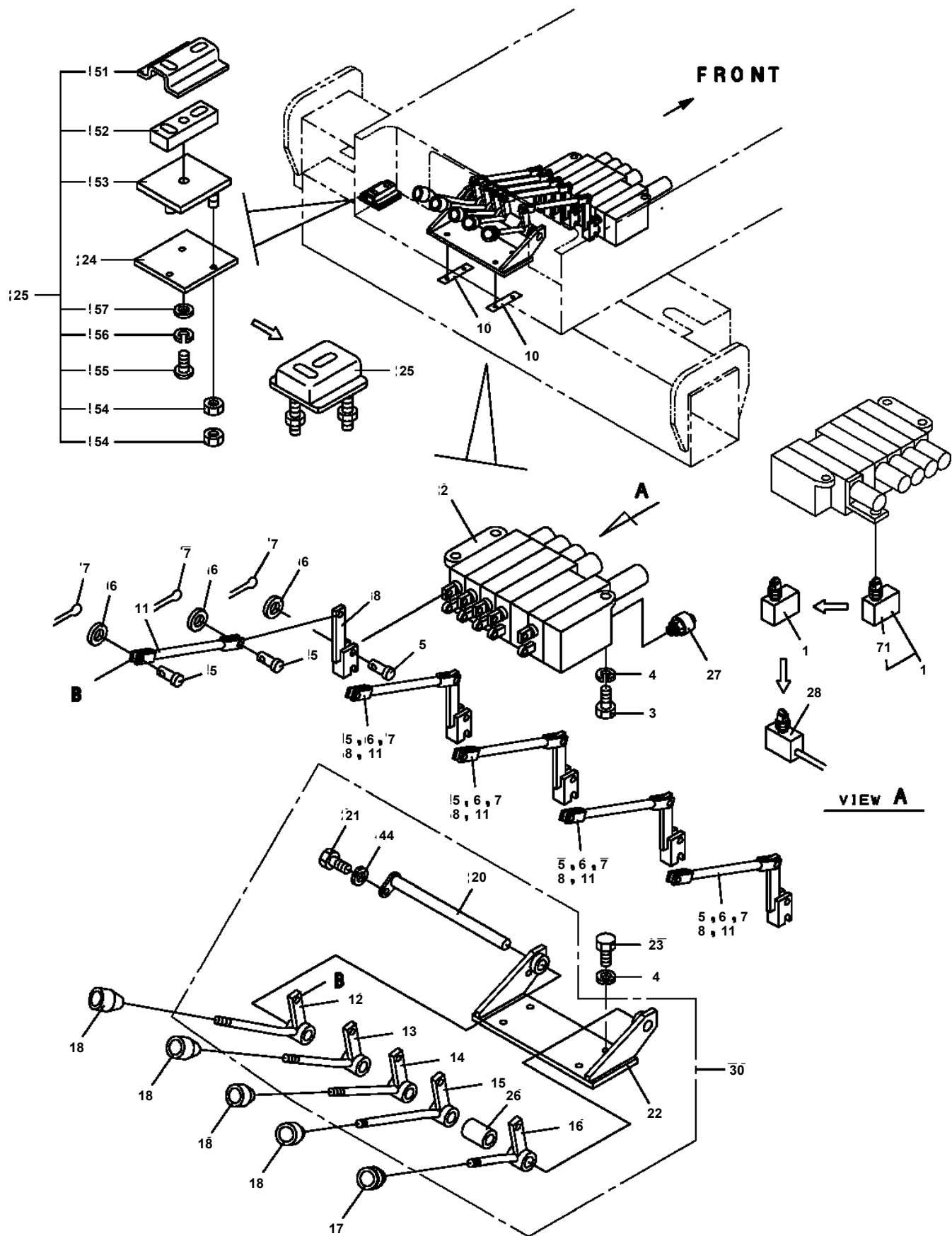
AT-155-1 42011110400 LOWER,NISSAN U-LG2YS41/LW2S

Pos No.	Parts No	Parts Name	Qty	Unit	Technical Data	Serial No (Start)	Serial No (End)	Remarks
1	90131508030	BOLT,HEXAGON SOCKET	4		M8X30			
2	90131510025	BOLT,HEXAGON SOCKET	32		M10X25			
3	90302040801	WASHER,SPRING	4		8			
4	90302041001	WASHER,SPRING	32		10			
5	80602110420	RING,RITAINING	1		R42			
7	91002905000	O-RING	1		1B G50			
8	91002907500	O-RING	4		1B G75			
20	36650495010	JOINT	1					
27	36650495020	SEAL,OIL	1					
28	36650495030	SEAL,OIL	1					
29	36650505030	PIN	2		6X32			
41	36650505011	PUMP,HYDRAULIC (NO.1)	1					
42	36650505021	PUMP,HYDRAULIC	1					
50	36650500001	PUMP,HYDRAULIC	1					

AT-155-1 42011110400 LOWER,NISSAN U-LG2YS41/LW2S
PC1010050-02 OUTRIGGER (REAR)



**AT-155-1 42011110400 LOWER,NISSAN U-LG2YS41/LW2S
PC1100001-02 OPERATION SYSTEM, OUTRIGGER**



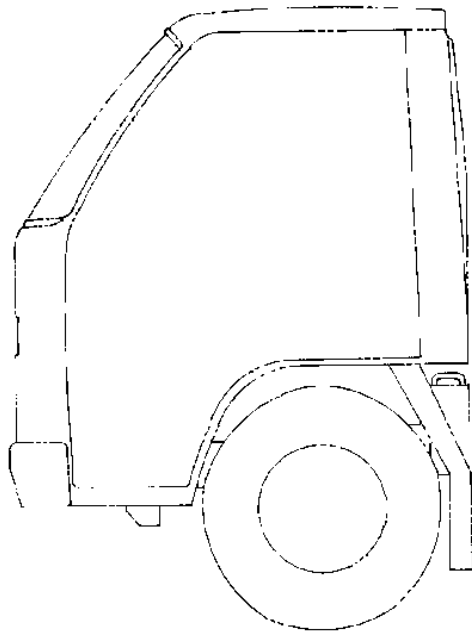
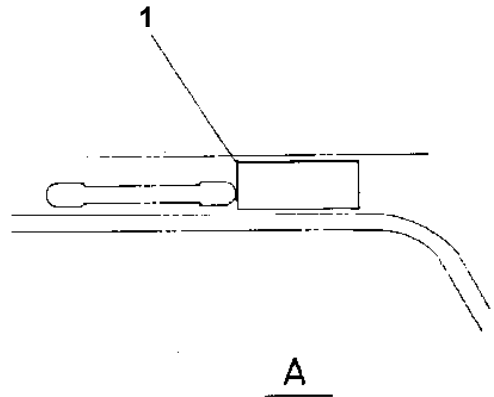
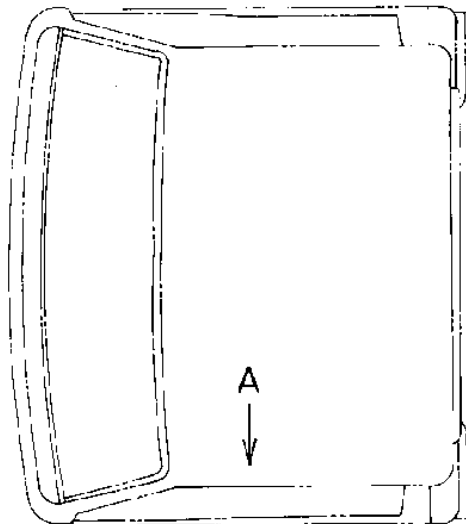
AT-155-1 42011110400 LOWER,NISSAN U-LG2YS41/LW2S

Pos No.	Parts No	Parts Name	Qty	Unit	Technical Data	Serial No (Start)	Serial No (End)	Remarks
3	36610445010	SPRING	1					
4	36610445020	SPRING	1					
7	36610445030	PLATE	1					
8	36610445040	NUT	1					
9	36610445050	SCREW,SET	1					
10	91001101800	O-RING	1		1A P18			
11	36610445060	PLUG	1					
12	36610445070	PLUG	1					
13	91002802400	O-RING	1		1B P24			
14	36610445080	WASHER,SPRING	5					
15	36610445090	BOLT	4					
16	91001101200	O-RING	1		1A P12			
30	36610460000	VALVE,FLOW CONTROL	1					

AT-155-1 42011110400 LOWER,NISSAN U-LG2YS41/LW2S

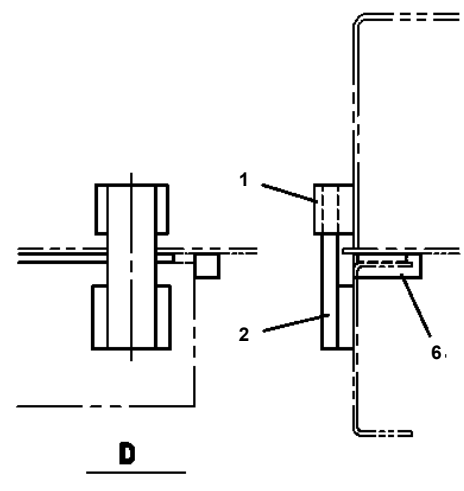
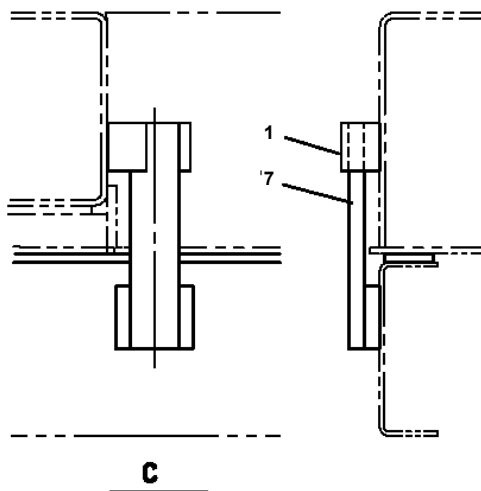
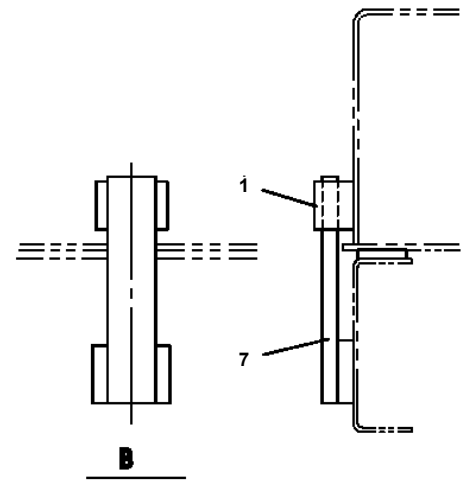
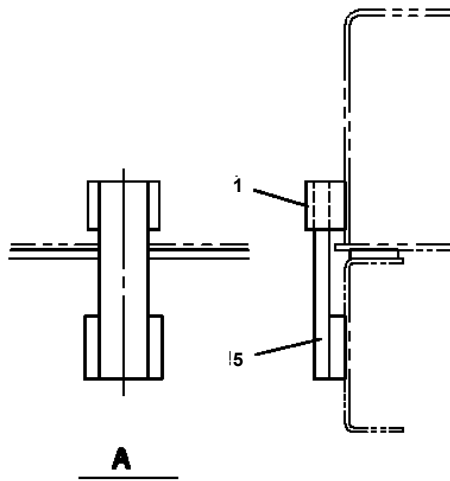
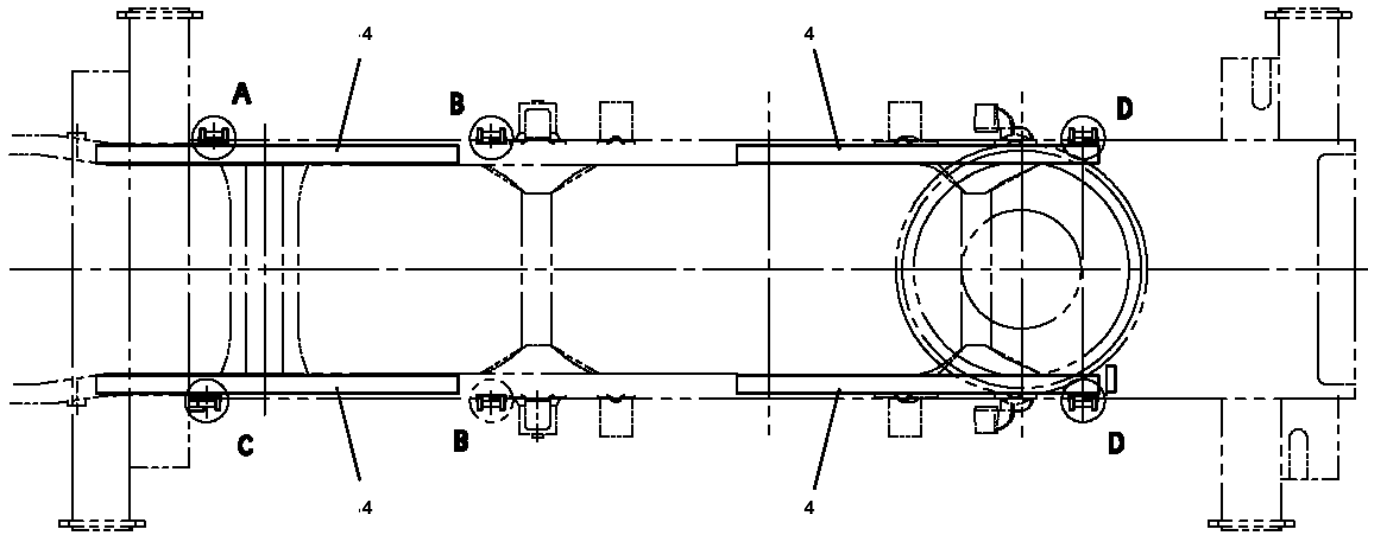
Pos No.	Parts No	Parts Name	Qty	Unit	Technical Data	Serial No (Start)	Serial No (End)	Remarks
1	91810130240	FASTENER	4					
2	42800100100	HARNESS (PULUG SOCKET)	1					
3	42800100030	CLAMP ASSY	1					
4	37000523960	SUPPORT	1					
11	42800100020	BAR	1					
14	82400000339	CHAIN	1	M				
21	42800100110	HARNESS	1					

AT-155-1 42011110400 LOWER,NISSAN U-LG2YS41/LW2S
PO1011309-00 PLATE,INDICATION

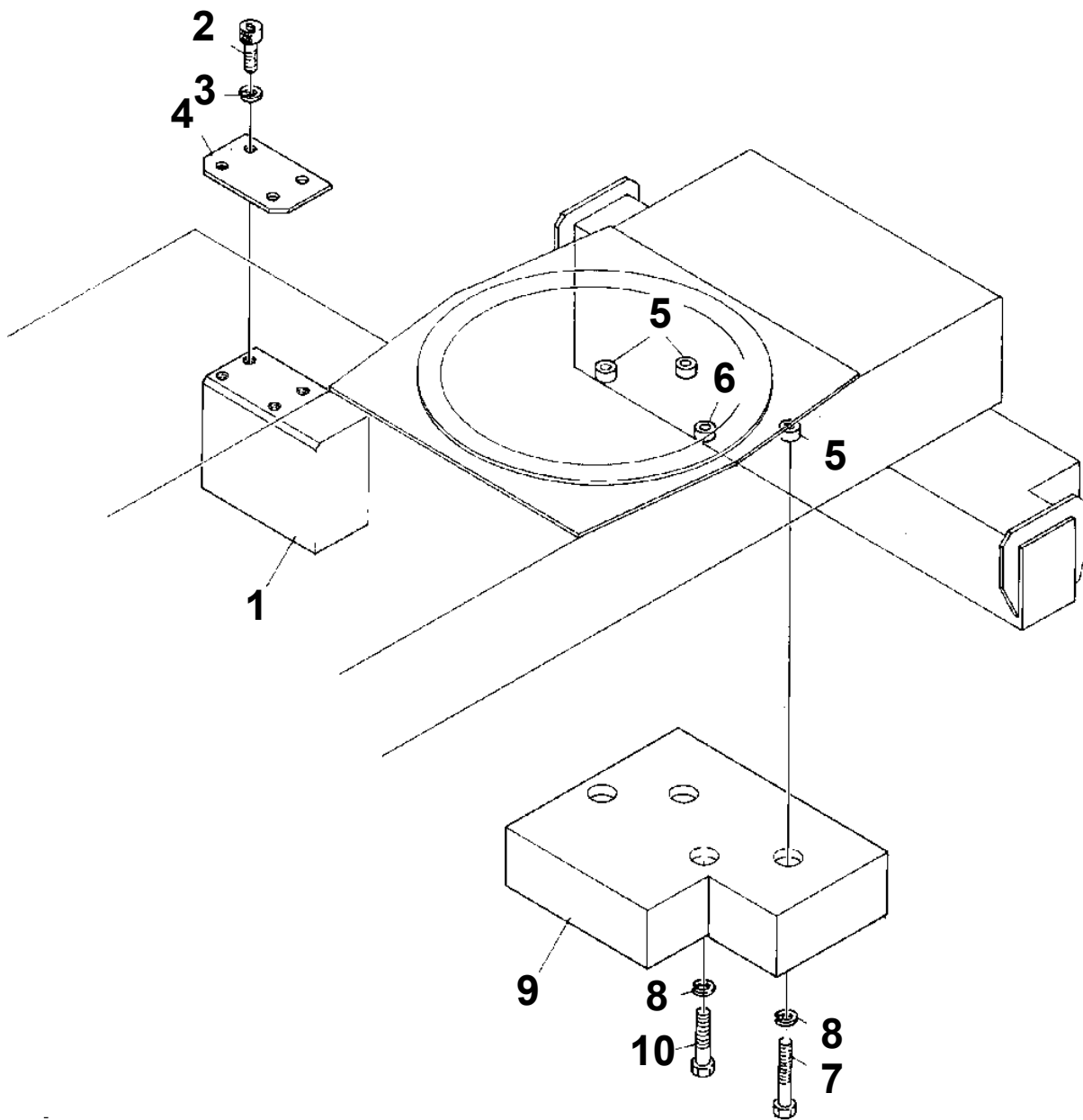


**AT-155-1 42011110400 LOWER,NISSAN U-LG2YS41/LW2S
PX1170192-00 ATTACHMENT PARTS, CRANE FRAME**

FRONT ←



AT-155-1 42011110400 LOWER,NISSAN U-LG2YS41/LW2S
PX1290025-01 WEIGHT (WITH BUCKET SWING)



CLICK HERE TO **DOWNLOAD** THE COMPLETE MANUAL

- Thank you very much for reading the preview of the manual.
- You can download the complete manual from: www.heydownloads.com by clicking the link below



- Please note: If there is no response to CLICKING the link, please download this PDF first and then click on it.

CLICK HERE TO **DOWNLOAD** THE COMPLETE MANUAL