

AT-150-1 42018120700 LOWER, MITSUBISHI U-FE447CHX
PX1000107-05 MOUNTING PARTS
ASSEMBLY

CLICK HERE TO **DOWNLOAD** THE COMPLETE MANUAL

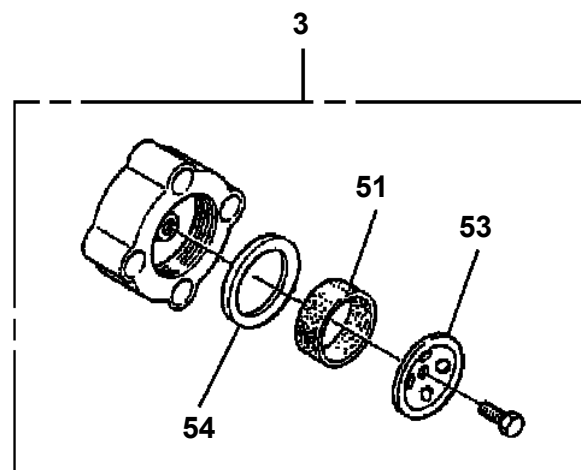
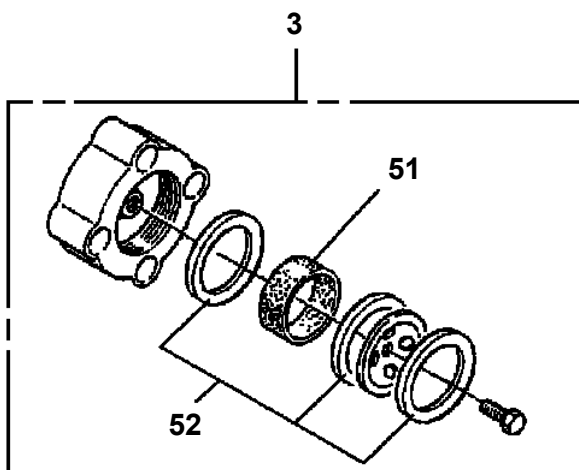
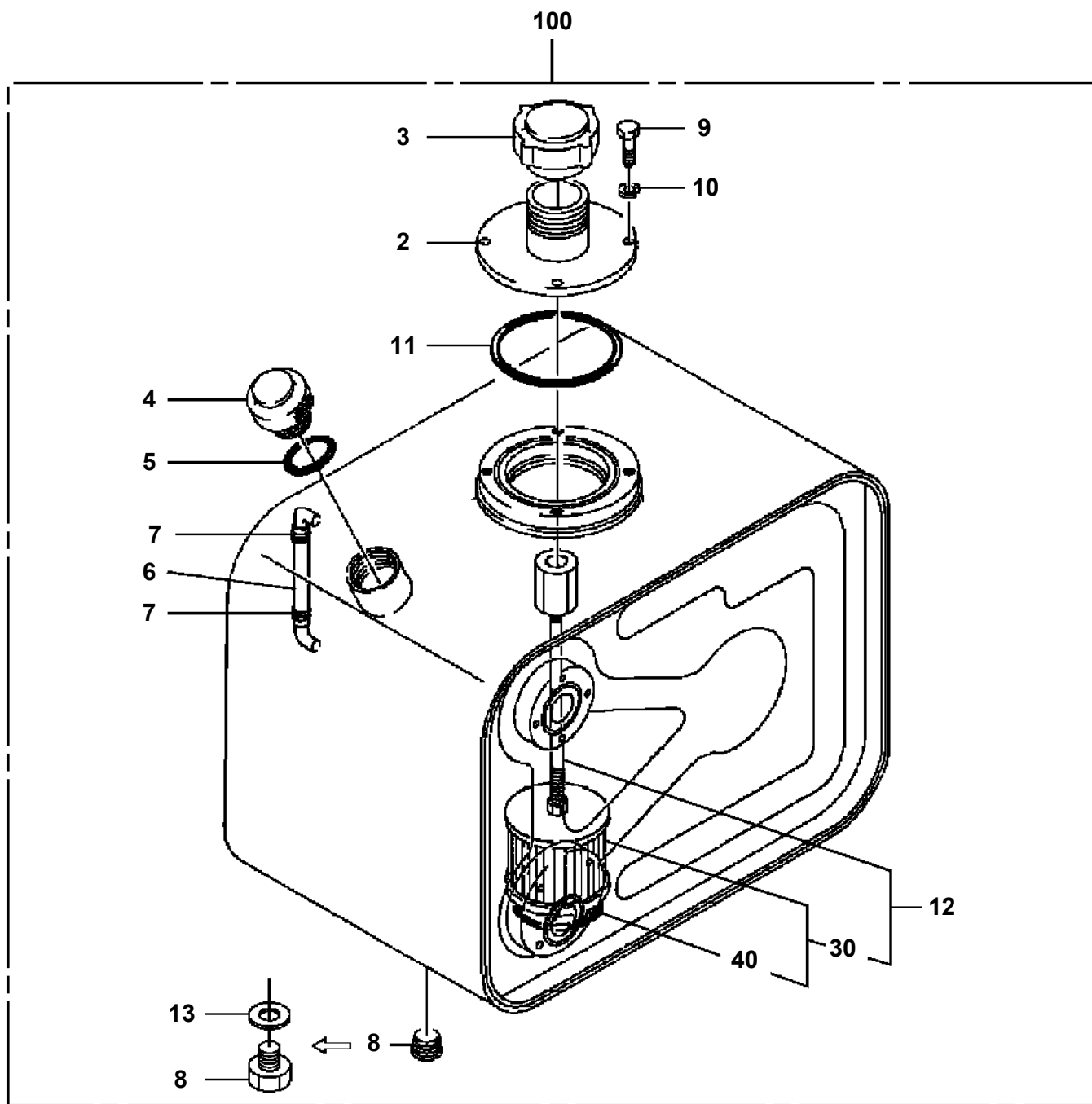
- Thank you very much for reading the preview of the manual.
- You can download the complete manual from: www.heydownloads.com by clicking the link below



- Please note: If there is no response to CLICKING the link, please download this PDF first and then click on it.

CLICK HERE TO **DOWNLOAD** THE COMPLETE MANUAL

AT-150-1 42018120700 LOWER, MITSUBISHI U-FE447CHX
PB1130001-05 TANK, OIL



AT-150-1 42018120700 LOWER,MITSUBISHI U-FE447CHX

Pos No.	Parts No	Parts Name	Qty	Unit	Technical Data	Serial No (Start)	Serial No (End)	Remarks	Pa
1	90101212020	BOLT	4		M12X20				
2	90302041201	WASHER,SPRING	4		12				
3	42820651000	POWER SUPPLY	1						000
5	(*****)	PIPING,DRAIN	1						000
6	37000911190	JOINT	1						
7	37000803300	JOINT	1						
8	37002502790	HOSE	1		L=1120				
9	91803600120	CLIP	2		D=9.5-12				
10	37000803530	JOINT	1						
11	37000913140	JOINT	1						
12	91803600160	CLIP	8		D=11-16				
13	34780020540	HOSE	1		8X540				
14	37002505610	HOSE	1		L=900				
15	37000541300	PLATE	1						
16	42820500200	PUMP,FUEL	1						
17	90101206010	BOLT	2		M6X1.0				
18	90302040601	WASHER,SPRING	2		6				
19	42820860010	COVER	1						
20	90101208012	BOLT	3		M8X12				
21	90302040801	WASHER,SPRING	3		8				
22	42820260010	PLATE	1						
23	82100002039	CLAMP	2						
24	90201200800	NUT	1		M8				
31	42820265200	PIPE	1						
33	82400000377	INSULATOR	1						
34	42820265400	PLATE	1						
35	42820265160	CLAMP	2						
36	90201201000	NUT	1		M10				
37	90302041001	WASHER,SPRING	1		10				
38	90303071001	WASHER,PLAIN	1		10		595195		
	37000556830	PLATE	1			595196			
39	90101208016	BOLT	5		M8X16				
40	90201200800	NUT	10		M8				
41	90302040801	WASHER,SPRING	14		8				
42	90101208030	BOLT	8		M8X30				
43	90101206010	BOLT	2		M6X1.0				
46	42820265500	SUPPORT	1						
47	82410124004	INSULATOR	1						
48	90302040601	WASHER,SPRING	2		6				
49	90303070801	WASHER,PLAIN	2		8				
50	37000507590	SUPPORT	1						
51	42820265900	PIPE,FLEXIBLE	1						
52	42820265800	SUPPORT	1						
53	90101212020	BOLT	2		M12X20				
54	90302041201	WASHER,SPRING	2		12				
55	42420022430	GASKET	2						
61	42820507680	FILTER (REPAIR KIT)	1						

AT-150-1 42018120700 LOWER,MITSUBISHI U-FE447CHX

Pos No.	Parts No	Parts Name	Qty	Unit	Technical Data	Serial No (Start)	Serial No (E
217	42820659960	SHAFT ASSY	1				
218	42820659970	STOPPER ASSY (MAX.)	1				
	91002801800	O-RING	2		1B P18		
220	42820659980	O-RING	1				
221	42820659985	O-RING	4				
222	42820659990	STOPPER ASSY (MIN.)	1				
231	42820659910	SEAL,OIL	1				
252	91000511900	O-RING	2		AS568-119		
261	42820659855	CABLE,METER (KUBOTA)	1				
284	36652485240	RETAINER (SPRING)	2				
286	36652485250	GUIDE	2				
288	36652485260	RETAINER (SPRING)	2				
291	36653075060	SPRING	2				
296	90710008200	SCREW,SET	1		M8X20		
297	36651835440	PLUG	2				
299	91000501100	O-RING	4				
305	36652485280	NUT	2				
306	90131506030	BOLT,HEXAGON SOCKET	8		M6X30		
311	36653075200	BODY ASSY	1				
317	90710008250	SCREW,SET	1		M8X25		
318	36600465060	PLUG	1		1/8		
319	91001100800	O-RING	3		1A P8		
351	42820269660	RADIATOR ASSY	1				
352	42820269670	PIPE	1				
353	42820269680	PIPE	1				
354	42820269690	PIPE	1				
361	42820657515	SUPPORT	2			595231	
362	42820657525	SUPPORT	2			595231	
363	90101206020	BOLT	8		M6X20	595231	
364	90302040601	WASHER,SPRING	8		6	595231	
365	90303130601	WASHER,PLAIN	8		6	595231	
366	90101208020	BOLT	8		M8X20	595231	
367	90302040801	WASHER,SPRING	8		8	595231	
368	90303130801	WASHER,PLAIN	8		8	595231	
401	42820657535	FAN	1				
402	42820269700	TANK ASSY (RESERVOIR)	1				
403	42820657545	ELEMENT(ENGINE OIL)	1				
404	42820657555	BELT (FAN)	1				
500	42820651000	POWER SUPPLY	1				

AT-150-1 42018120700 LOWER,MITSUBISHI U-FE447CHX

Pos No.	Parts No	Parts Name	Qty	Unit	Technical Data	Serial No (Start)	Serial No (End)	Rem
2	91660003001	SEAL,DUST	1					
4	91694003000	PACKING	1					
5	91002904000	O-RING	1		1B G40			
6	36040335021	COVER,ROD	1					
7	36040355032	CYLINDER	1					
8	36040355041	ROD	1					
10	91684004500	PACKING	2			595319		
12	90209201800	NUT	1		M18			
13	90302041801	WASHER,SPRING	1		18			
15	36041030300	PISTON	1				595318	
16	91100104500	SEAL,RING	1				595318	
17	91002802000	O-RING	1		1B P20	595319		
18	91411203501	RING,BACKUP	2			595319		
22	36042405301	PISTON	1			595319		
40	36042419900	PACKING SET	1		30X45		595318	
50	36042419902	PACKING SET	1		30X45	595319		
100	36040350000	CYLINDER,EXTENSION (REAR)	1					

AT-150-1 42018120700 LOWER,MITSUBISHI U-FE447CHX

Pos No.	Parts No	Parts Name	Qty	Unit	Technical Data	Serial No (Start)	Serial No (End)	Remarks	Pages
1	82100001417	RELAY	1				595304		
	82161201010	RELAY	1			595305			
2	90302040601	WASHER,SPRING	2		6				
3	90201200600	NUT	1		M6				
5	82100002667	SWITCH,LIMIT	1				595304		
7	90101208060	BOLT	1		M8X60				
8	90201200800	NUT	1		M8				
14	90302040801	WASHER,SPRING	1		8				
17	80303030200	FITTING,ELBOW	1						
18	81408000210	PIPE,STEEL	1	M	15X2.0T				
19	36641520000	VALVE,SOLENOID	1						00002
20	80303030180	FITTING,ELBOW	1		KLN15-030N				
21	37000907520	JOINT	1						
22	80302010180	FITTING	1		KCT15-030N				
23	42730180010	HARNESS	1						
24	42730181000	HARNESS	1						
26	42950210010	CABLE ASSY	1						
27	82104501270	SWITCH,LIMIT	1			595305			
41	82100001540	SWITCH,LIMIT	4						
51	90101208010	BOLT	4		M8X10				
52	90302040801	WASHER,SPRING	12		8				
53	82100002003	CLAMP	4						
54	90101208014	BOLT	8		M8X14				
55	42950203010	BOLT	4		M6X18				
56	90201200600	NUT	4		M6				
57	42950011010	PLATE	4						
58	42950203300	SUPPORT	4						
59	42950011050	SWITCH ASSY	4						

CLICK HERE TO **DOWNLOAD** THE COMPLETE MANUAL

- Thank you very much for reading the preview of the manual.
- You can download the complete manual from: www.heydownloads.com by clicking the link below



- Please note: If there is no response to CLICKING the link, please download this PDF first and then click on it.

CLICK HERE TO **DOWNLOAD** THE COMPLETE MANUAL

AT-150-1 42018120700 LOWER,MITSUBISHI U-FE447CHX

Pos No.	Parts No	Parts Name	Qty	Unit	Technical Data	Serial No (Start)	Serial No (End)	Remarks	Pages
2	37002409030	HOSE	8		L=335				
3	80320010075	FITTING	11		KUD12-020N				
4	37000704130	CLAMP ASSY	1						
5	80301010100	FITTING	4		KUA12-000N				
6	80303050080	FITTING,ELBOW	1		KLF12-030N				
7	37000704120	CLAMP ASSY	3						
8	37000907470	JOINT	1						
9	80316030060	PLUG	1		PT3/8				
10	37000907450	JOINT	1						
11	81408000160	PIPE,STEEL	3	M	12X1.4T				
12	37000707300	CLAMP ASSY	2						
13	81408000341	PIPE,STEEL	2	M	28X3.1T				
14	80301010160	FITTING	1		KUA18-000N				
15	37000704040	CLAMP ASSY	2						
16	37000910130	JOINT	9						
18	81408000241	PIPE,STEEL	3	M	18X1.9T				
19	81408000160	PIPE,STEEL	2	M	12X1.4T				
20	81408000160	PIPE,STEEL	3	M	12X1.4T				
21	81408000160	PIPE,STEEL	3	M	12X1.4T				
22	37000702220	CLAMP ASSY	3						
23	81408000160	PIPE,STEEL	2	M	12X1.4T				
24	81408000160	PIPE,STEEL	1	M	12X1.4T				
25	81408000160	PIPE,STEEL	1	M	12X1.4T				
26	81408000160	PIPE,STEEL	1	M	12X1.4T				
27	80305010100	FITTING,TEE	3		KTA12-000N				
28	81408000160	PIPE,STEEL	1	M	12X1.4T				
29	37002403820	HOSE	3		L=400				
30	37000702580	CLAMP ASSY	1						
31	37000701900	CLAMP ASSY	4						
32	81408000160	PIPE,STEEL	4	M	12X1.4T				
33	81408000160	PIPE,STEEL	4	M	12X1.4T				
34	81408000160	PIPE,STEEL	4	M	12X1.4T				
35	37000704330	CLAMP ASSY	1						
36	81408000160	PIPE,STEEL	1	M	12X1.4T				
37	81408000160	PIPE,STEEL	2	M	12X1.4T				
38	81408000160	PIPE,STEEL	1	M	12X1.4T				
39	37000908580	JOINT	1		L G3/4-28				
40	37002409100	HOSE	1		L=500				
41	80430410650	JOINT	1						
42	37002409050	HOSE	1		L=425				
45	80430450850	JOINT	4						
46	37002410530	HOSE	1		L=400		595302		
47	80315040080	JOINT	2						
48	91002801800	O-RING	4		1B P18				
49	37000908270	JOINT	1						
50	37002406400	HOSE	1		L=530				
51	80302090161	FITTING	9		KCO12-030N				
52	91002801400	O-RING	10		1B P14				
57	81408000160	PIPE,STEEL	1	M	12X1.4T				
58	80302090151	FITTING	1		KCO12-040N				
59	81408000160	PIPE,STEEL	1	M	12X1.4T				
60	80302090241	FITTING	1		KCO18-040N				
61	81408000241	PIPE,STEEL	2	M	18X1.9T				
62	81408000160	PIPE,STEEL	1	M	12X1.4T				
63	81408000160	PIPE,STEEL	1	M	12X1.4T				
64	81408000160	PIPE,STEEL	1	M	12X1.4T				
65	81408000160	PIPE,STEEL	2	M	12X1.4T				
66	37002436850	HOSE	1		L=265				
67	80320030075	FITTING,ELBOW	1		KLE12-020N				
68	37002402360	HOSE	1		L=400	595303			

AT-150-1 42018120700 LOWER,MITSUBISHI U-FE447CHX

Pos No.	Parts No	Parts Name	Qty	Unit	Technical Data	Serial No (Start)	Serial No (End)	Remarks
6	82100000522	CABLE	3					
7	37000704790	CLAMP ASSY	2		D=6			
8	82100000191	TERMINAL	2					
9	82100000183	INSULATOR	2					
10	82100000192	TERMINAL	1					
11	82100000182	INSULATOR	1					
12	37000511060	PLATE	2					
13	90101206012	BOLT	4		M6X12			
14	90302040601	WASHER,SPRING	4		6			
15	42731731000	BOX ASSY (CONNECTOR)	2					
21	82100002399	CONNECTOR	2					
22	82100002129	PLATE	2					
23	80172304008	SCREW,MACHINE	4		M4X8			
24	90302040401	WASHER,SPRING	4		4			
25	42731731010	CASE	2					
26	42731731050	HARNESS	2					
27	42731731060	HARNESS	2					
28	82400000072	GROMMET	2					

AT-150-1 42018120700 LOWER,MITSUBISHI U-FE447CHX

Pos No.	Parts No	Parts Name	Qty	Unit	Technical Data	Serial No (Start)	Serial No (End)	Remarks	P
1	42940100010	PLATE,NAME	1						
2	42940100020	PLATE,NAME (ENGINE)	1						
3	42731131000	SWITCH ASSY	1						
11	82100001687	SWITCH,TOGGLE	1						

AT-150-1 42018120700 LOWER,MITSUBISHI U-FE447CHX

Pos No.	Parts No	Parts Name	Qty	Unit	Technical Data	Serial No (Start)	Serial No (End)	Remarks	Pages
1	37000507580	SUPPORT	2						
2	42690440010	SUPPORT	2						
3	37000507590	SUPPORT	2						
4	42690440040	SUPPORT	2						
5	42690440050	FENDER	1						
6	42691130300	FENDER	1						
7	42690440350	FENDER	1						
8	42691260100	FENDER	1						
9	90101212022	BOLT	16		M12X22				
10	90302041201	WASHER,SPRING	16		12				
11	90101210020	BOLT	8		M10X20				
12	90201201000	NUT	4		M10				
13	90302041001	WASHER,SPRING	8		10				
14	37000507600	SUPPORT	4						
15	37000508610	PLATE	2						
17	90303071201	WASHER,PLAIN	16		12				
18	90303071001	WASHER,PLAIN	4		10				

AT-150-1 42018120700 LOWER,MITSUBISHI U-FE447CHX

Pos No.	Parts No	Parts Name	Qty	Unit	Technical Data	Serial No (Start)	Serial No (End)	Remarks	Pages
1	90193212030	BOLT	4		M12X30		595189		
	90174312030	BOLT	4		M12X30	595190			
2	90302041201	WASHER,SPRING	4		12				
3	90302041001	WASHER,SPRING	2		10				
4	32811100030	COUPLING	1						
5	42820131000	SUPPORT	1						
6	36650710000	PUMP,HYDRAULIC	1						00000
7	42820050010	SUPPORT	1						
8	90171110035	BOLT	2		M10X35				
9	90303071001	WASHER,PLAIN	2		10				
10	90201701000	NUT	2		M10		595189		
	90201781000	NUT	2		M10	595190			
11	90302040601	WASHER,SPRING	1		6				
12	90101506020	BOLT	1		M6X20		595189		
15	32811100020	SUPPORT	1						
16	90171106020	BOLT	1		M6X20	595190			

AT-150-1 42018120700 LOWER,MITSUBISHI U-FE447CHX

Pos No.	Parts No	Parts Name	Qty	Unit	Technical Data	Serial No (Start)	Serial No (End)	Remarks	Pages
1	42840010020	SUPPORT	1						
2	42840030010	WEIGHT	1						
3	90171116055	BOLT	2		M16X55				
4	90302041601	WASHER,SPRING	4		16				
5	42840250010	SUPPORT	3						
6	42840290020	WEIGHT	1						
7	90171116160	BOLT	2		M16X160				
8	33250000010	PLATE	2						
9	42840290010	WEIGHT	1						

AT-150-1 42018120700 LOWER,MITSUBISHI U-FE447CHX

Pos No.	Parts No	Parts Name	Qty	Unit	Technical Data	Serial No (Start)	Serial No (End)	Remarks	Pages
1	42731071000	SUPPORT	1						
2	91801300190	CLIP	1		D=16-19				
3	89631402000	HOSE,VINYL	1		15X17,2M				
4	37000513630	PLATE	1						
5	91810130230	FASTENER	1						
6	82100002011	CLAMP	2		WRC15				
7	90101208016	BOLT	2		M8X16				
8	90302040801	WASHER,SPRING	2		8				
9	90303070801	WASHER,PLAIN	2		8				
10	90201200800	NUT	2		M8				

CLICK HERE TO **DOWNLOAD** THE COMPLETE MANUAL

- Thank you very much for reading the preview of the manual.
- You can download the complete manual from: www.heydownloads.com by clicking the link below



- Please note: If there is no response to CLICKING the link, please download this PDF first and then click on it.

CLICK HERE TO **DOWNLOAD** THE COMPLETE MANUAL