

AT-147-3 43010130100 LOWER,HINO PDG-XZU354E-TKMSD6

PO1000171-00 INDICATION PLATES

PX2000974-02 CARRIER UNIT

PX3000506-00 MOUNTING UNIT

ASSEMBLY

CLICK HERE TO **DOWNLOAD** THE COMPLETE MANUAL

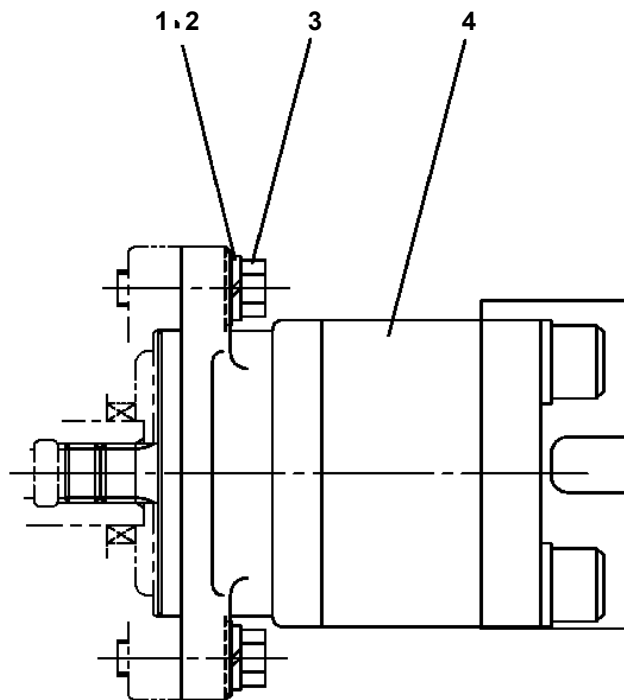
- Thank you very much for reading the preview of the manual.
- You can download the complete manual from: www.heydownloads.com by clicking the link below



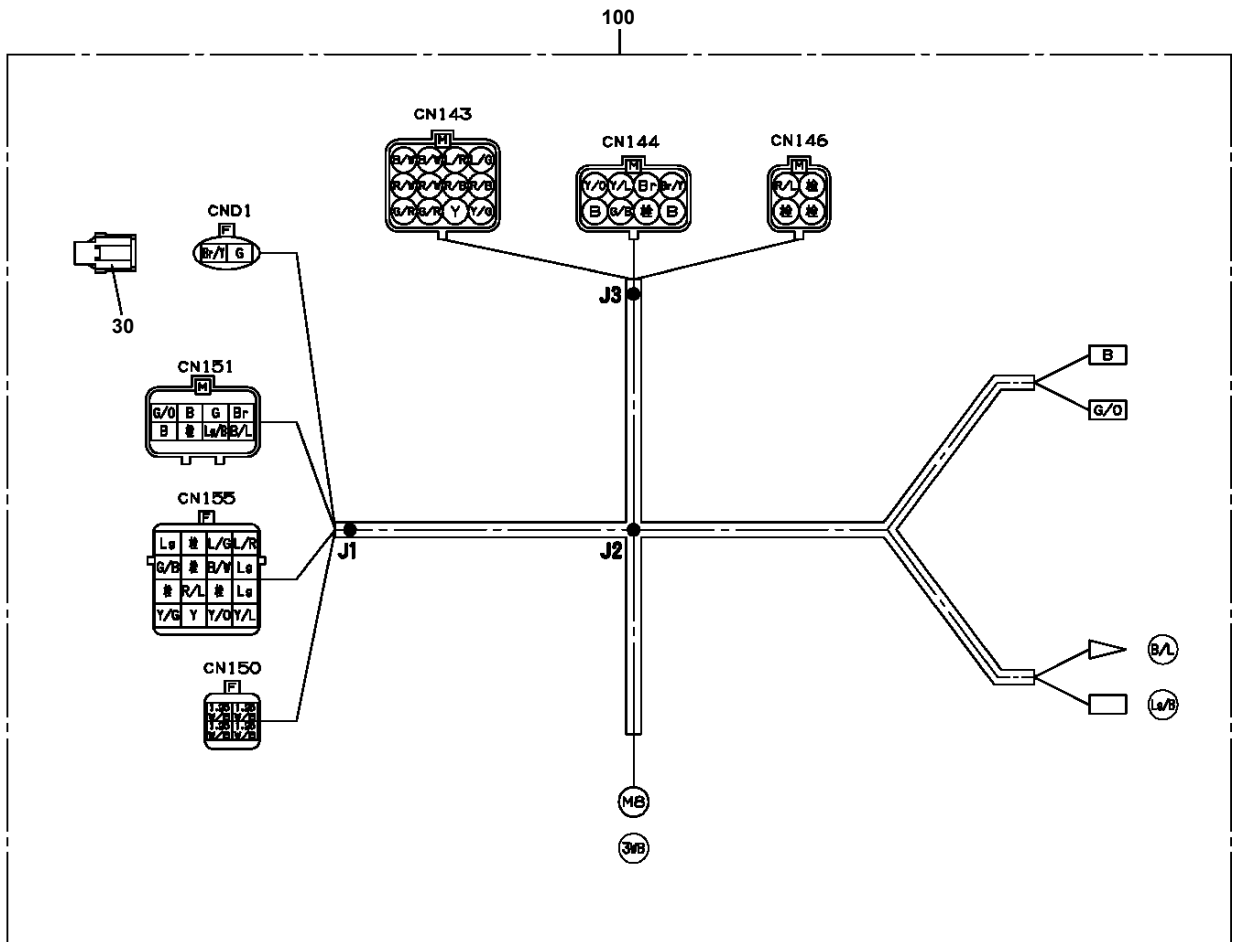
- Please note: If there is no response to CLICKING the link, please download this PDF first and then click on it.

CLICK HERE TO **DOWNLOAD** THE COMPLETE MANUAL

**AT-147-3 43010130100 LOWER,HINO PDG-XZU354E-TKMSD6
PB1110007-01 PUMP INSTALLATION**

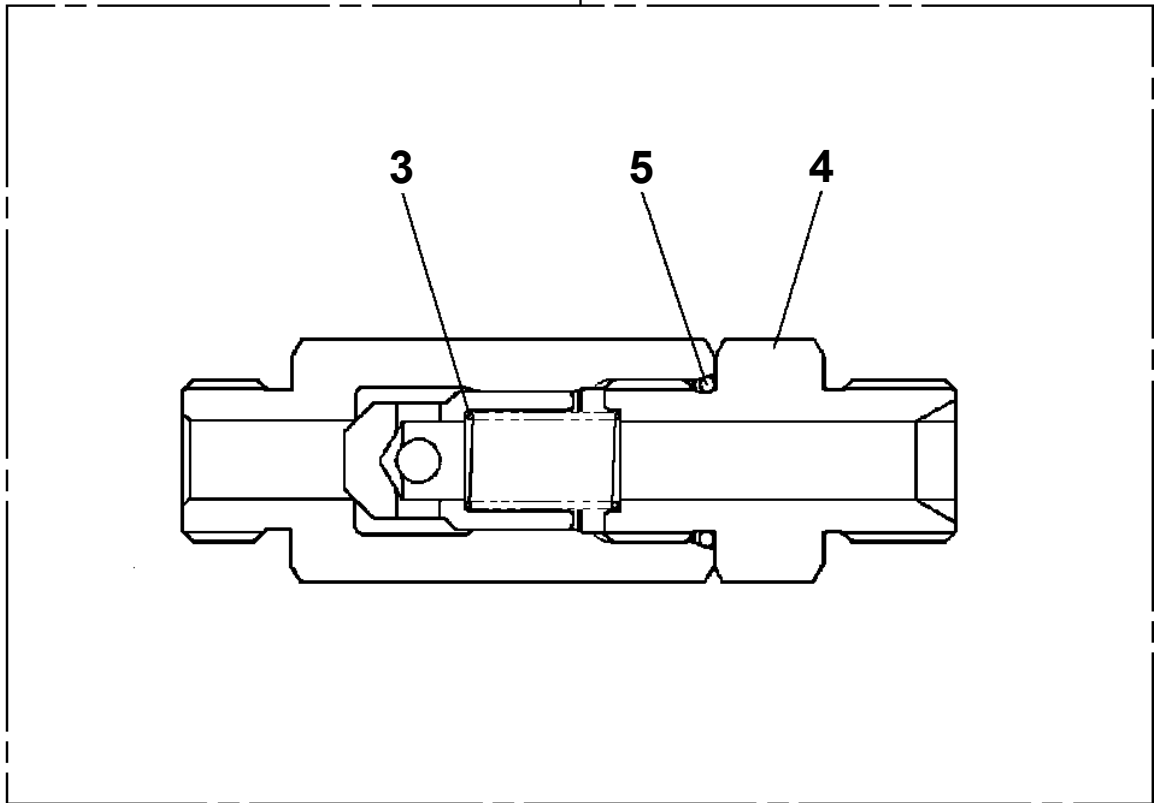


AT-147-3 43010130100 LOWER,HINO PDG-XZU354E-TKMSD6
PH5032374-00 HARNESS

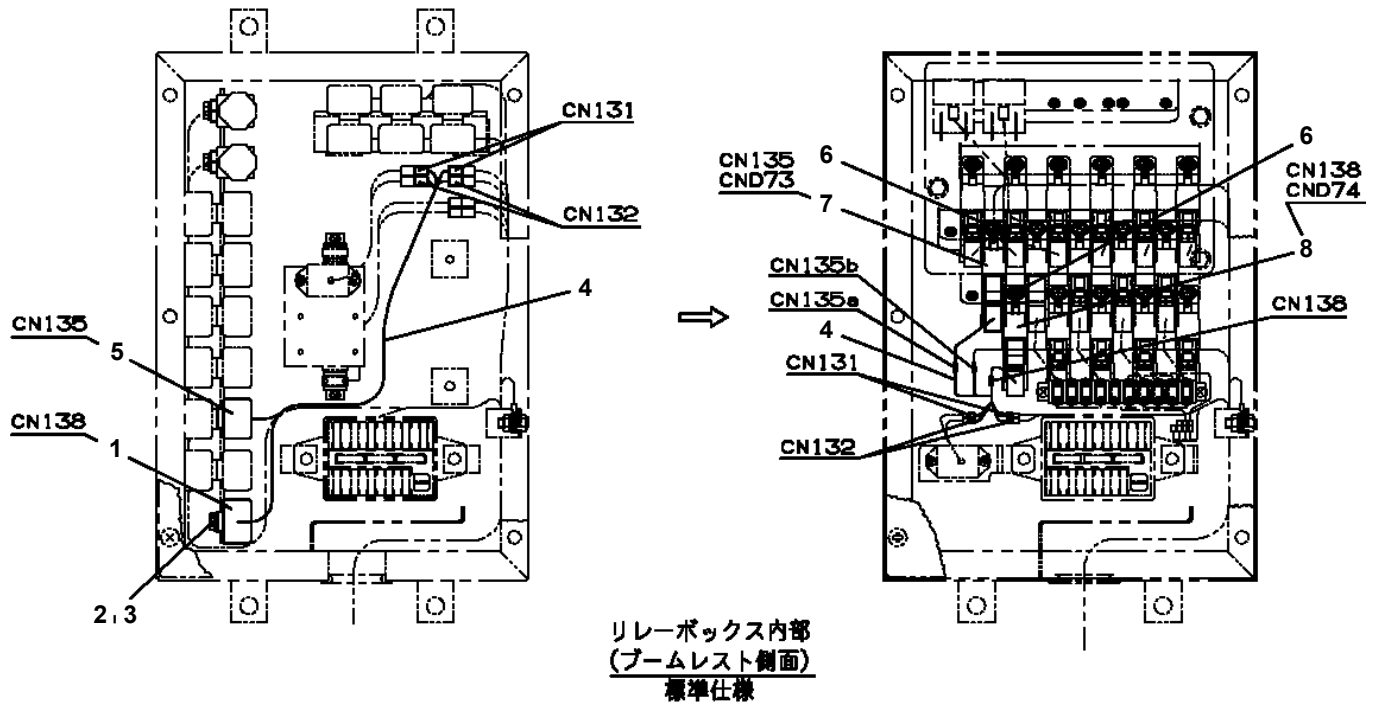
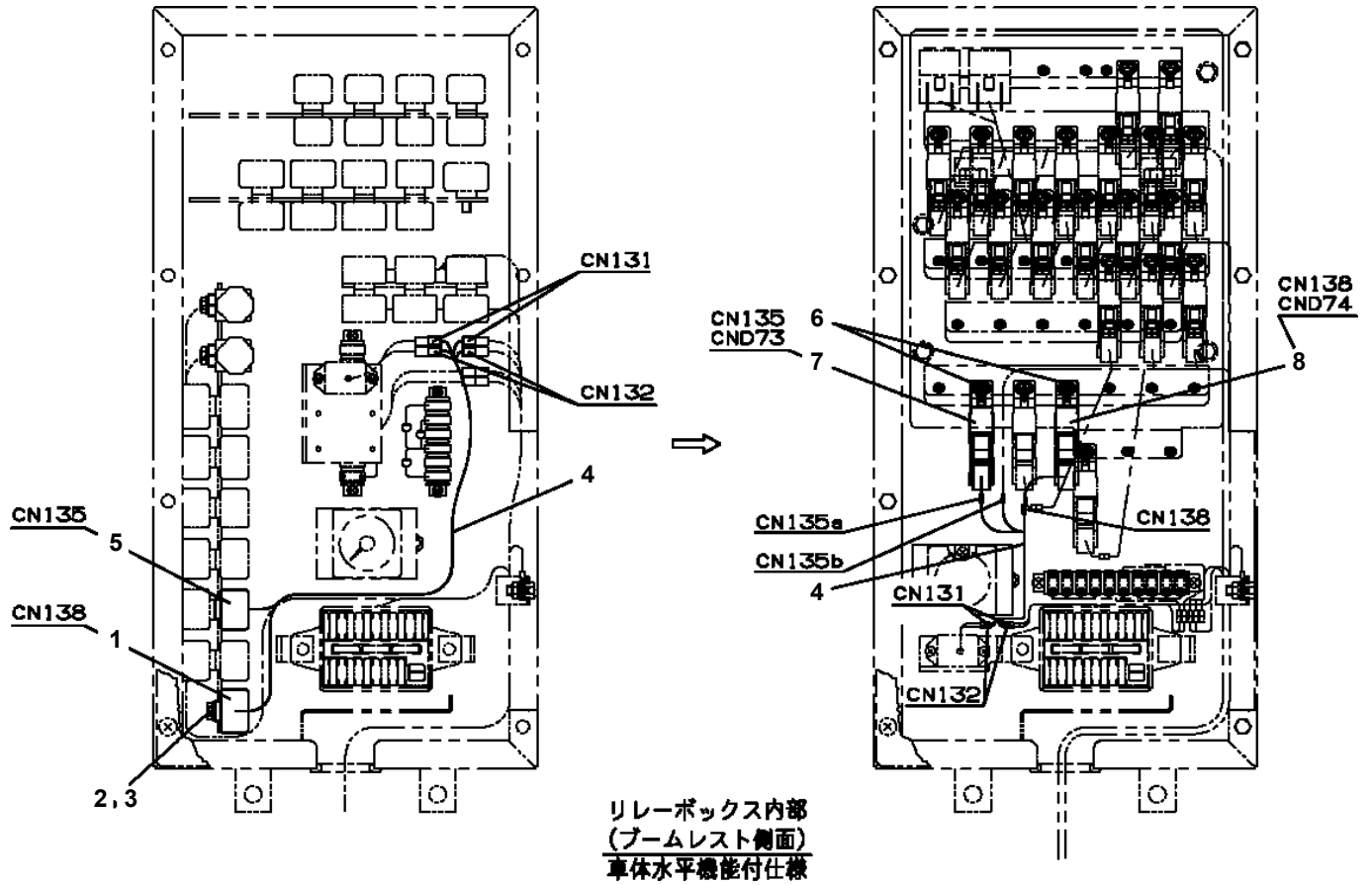


**AT-147-3 43010130100 LOWER,HINO PDG-XZU354E-TKMSD6
PI1140188-00 VALVE,CHECK**

50



AT-147-3 43010130100 LOWER, HINO PDG-XZU354E-TKMSD6
 PN1014646-01 ELEC.ASSY (ISUZU, TOYOTA, HINO/ KEY SW INTERLOCK RELAY)

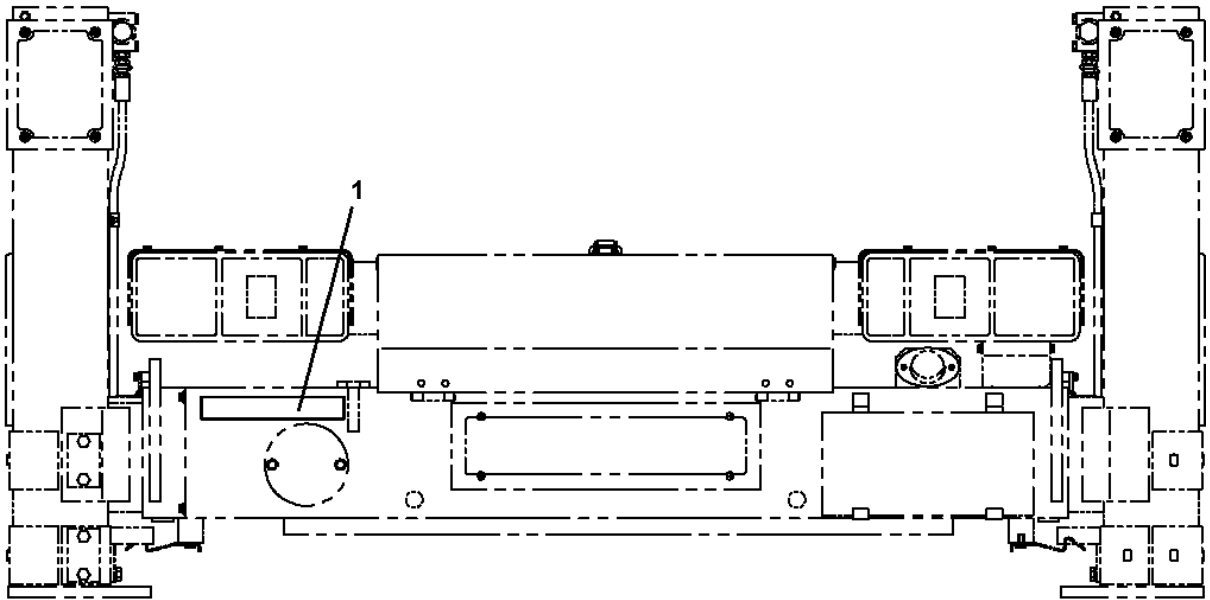
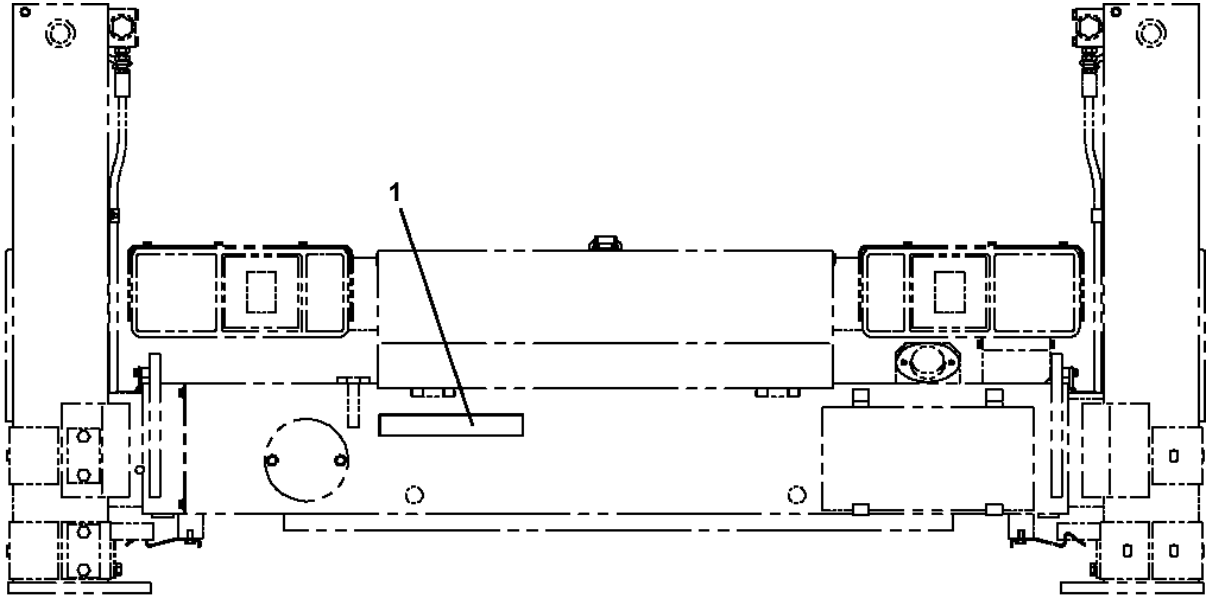


いすゞ



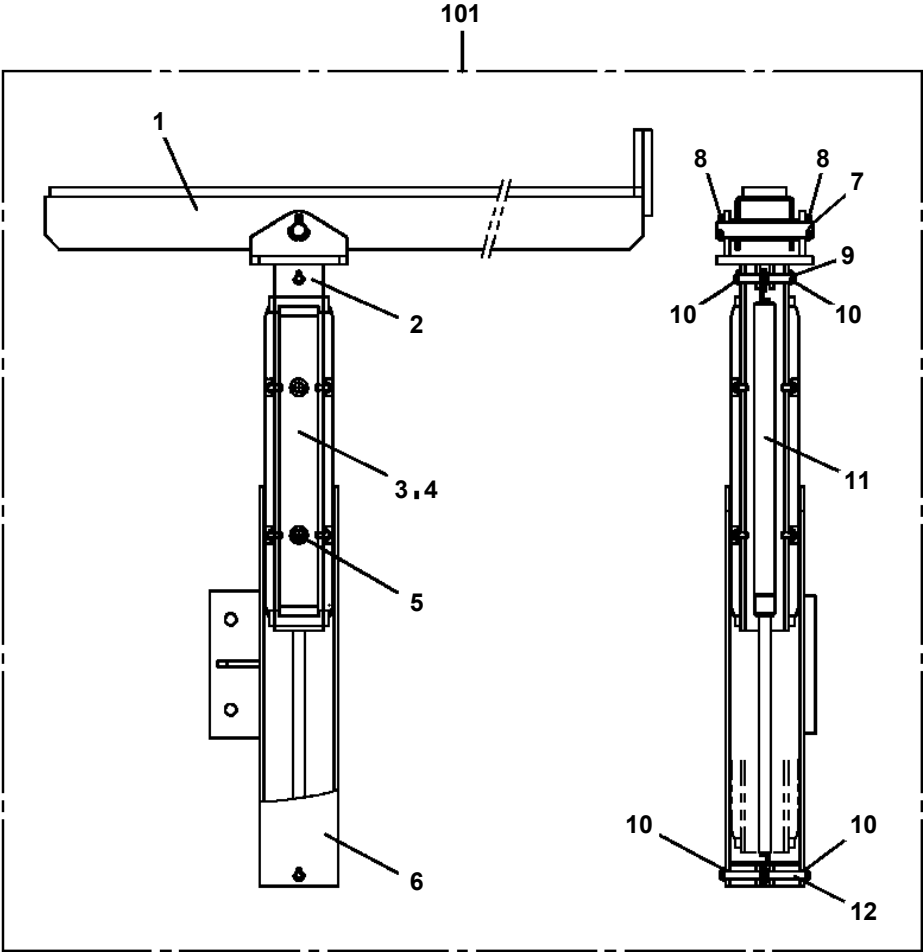
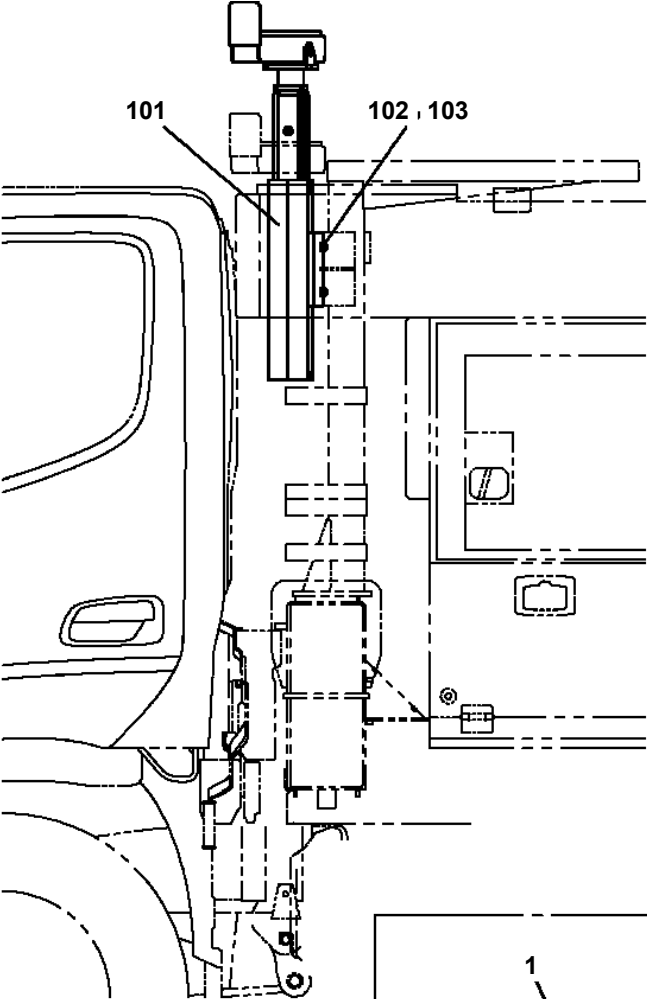
いすゞ・トヨタ・日野

AT-147-3 43010130100 LOWER,HINO PDG-XZU354E-TKMSD6
PO1014997-00 PLATE ASSY,NAME



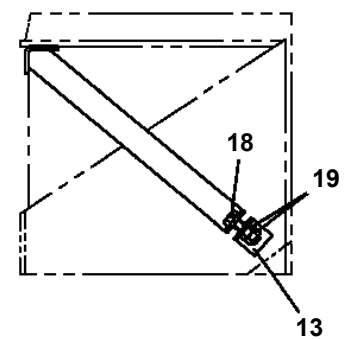
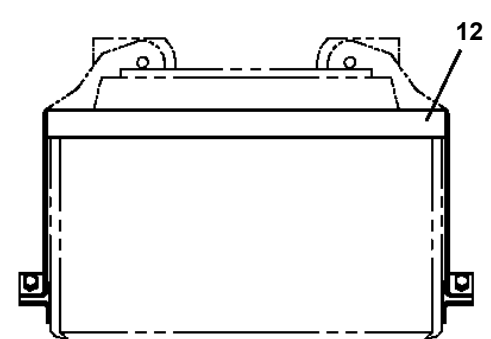
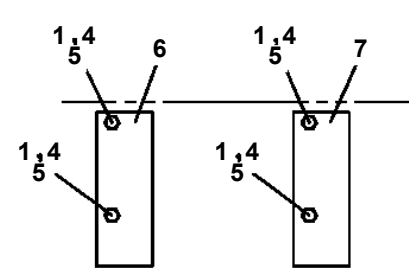
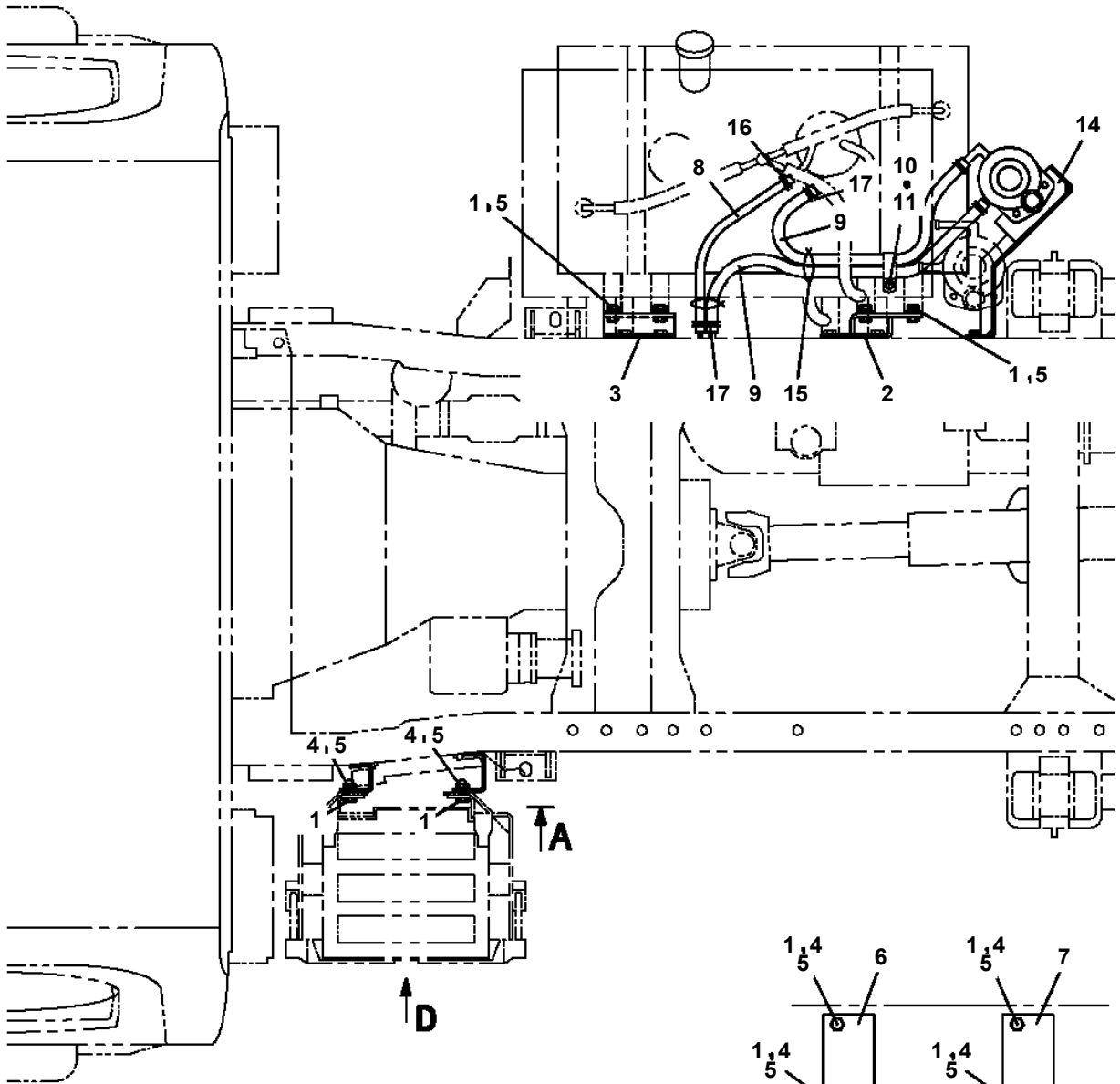
大型後部反射板付の場合

AT-147-3 43010130100 LOWER, HINO PDG-XZU354E-TKMSD6
PX1130021-00 BUCKET REST



AT-147-3 43010130100 LOWER, HINO PDG-XZU354E-TKMSD6
PX1390906-00 MODIFICATION PARTS

FRONT ←



D

A

CLICK HERE TO **DOWNLOAD** THE COMPLETE MANUAL

- Thank you very much for reading the preview of the manual.
- You can download the complete manual from: www.heydownloads.com by clicking the link below



- Please note: If there is no response to CLICKING the link, please download this PDF first and then click on it.

CLICK HERE TO **DOWNLOAD** THE COMPLETE MANUAL