

AT-147-3 43010100032 UPPER

**PD2000186-01 SWING UNIT
PF1000691-00 WINCH SYSTEM
PG2000244-00 BOOM UNIT
PH1000550-00 SAFETY DEVICES (MOTION CONTROLLER)
PJ3000567-00 BUCKET SYSTEM
PJ5000003-00 BOOSTER UNIT
PK2001363-01 FRAME UNIT
PO1000171-00 INDICATION PLATES
PW1000118-00 ACCESSORIES & TOOLS
PX1001195-00 MOUNTING PARTS
PY1001439-00 OPTIONS
ASSEMBLY**

CLICK HERE TO **DOWNLOAD** THE COMPLETE MANUAL

- Thank you very much for reading the preview of the manual.
- You can download the complete manual from: www.heydownloads.com by clicking the link below



- Please note: If there is no response to CLICKING the link, please download this PDF first and then click on it.

CLICK HERE TO **DOWNLOAD** THE COMPLETE MANUAL

AT-147-3 43010100032 UPPER

Pos No.	Parts No	Parts Name	Qty	Unit	Technical Data	Serial No (Start)	Serial No (End)
1	42267241000	BUCKET	1				
2	(*****)	BUCKET (INNER CASE)	1				
4	(*****)	ARM	1				590392
	(*****)	ARM ASSY	1			590393	
5	(*****)	PIPING ASSY,ARM	1				
6	(*****)	PIPING ASSY,BUCKET	1				
9	(*****)	COVER,BOOM (TOP/FRP,WHITE)	1				
10	(*****)	FRAME (BUCKET)	1				590392
	(*****)	BUCKET FRAME ASSY	1			590393	
11	(*****)	COVER (ARM/FRP,WHITE)	1				
12	(*****)	COVER (WINCH/FRP,WHITE)	1				
13	42267274000	COVER (CLOTH,WHITE/BUCKET)	1				
14	(*****)	COVER (BUCKET/FRP,WHITE)	1				
15	(*****)	COVER (ARM HOSE,CLOTH)	1				
16	(*****)	COVER	1				
17	42262804000	COVER,WINCH (CLOTH,WHITE/WINCH)	1				
21	(*****)	OPE.ASSY (BUCKET)	1				
22	(*****)	ELEC.ASSY (ARM)	1				
23	(*****)	ELEC.ASSY (BUCKET)	1				590392
	(*****)	ELEC.ASSY,BUCKET	1			590393	
24	(*****)	ACCESSORIES (BUCKET INNER MAT)	1				

AT-147-3 43010100032 UPPER

Pos No.	Parts No	Parts Name	Qty	Unit	Technical Data	Serial No (S
1	(*****)	BOX, TOOL (LEFT/F:2-DECKER,R:1-DECKER)	1			
2	(*****)	MOUNT ASSY (RIGHT/F:SIDE GATE,R: CONE SUPPORT)	1			
	(*****)	MOUNT ASSY, TOOL BOX (RIGHT/F:SIDE GATE,R:1-DECKER)	1			590412
	(*****)	BOX, TOOL (RIGHT/F:RACK,R:1-DECKER)	1			590417
3	(*****)	BOX, TOOL (FRAME)	1			
4	(*****)	EARTHING DEVICE (8X20M, TOP CLIP)	1			

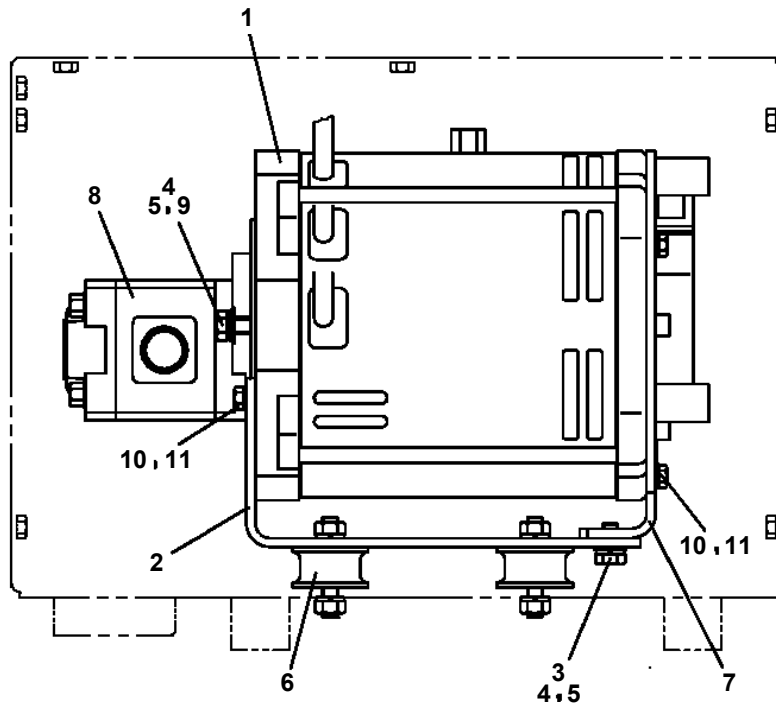
AT-147-3 43010100032 UPPER

Pos No.	Parts No	Parts Name	Qty	Unit	Technical Data	Serial No (Start)	Serial No (End)	Remarks	Pages
11	36654185010	SEAL KIT	1						
100	36654180000	PUMP,HYDRAULIC	1						

AT-147-3 43010100032 UPPER

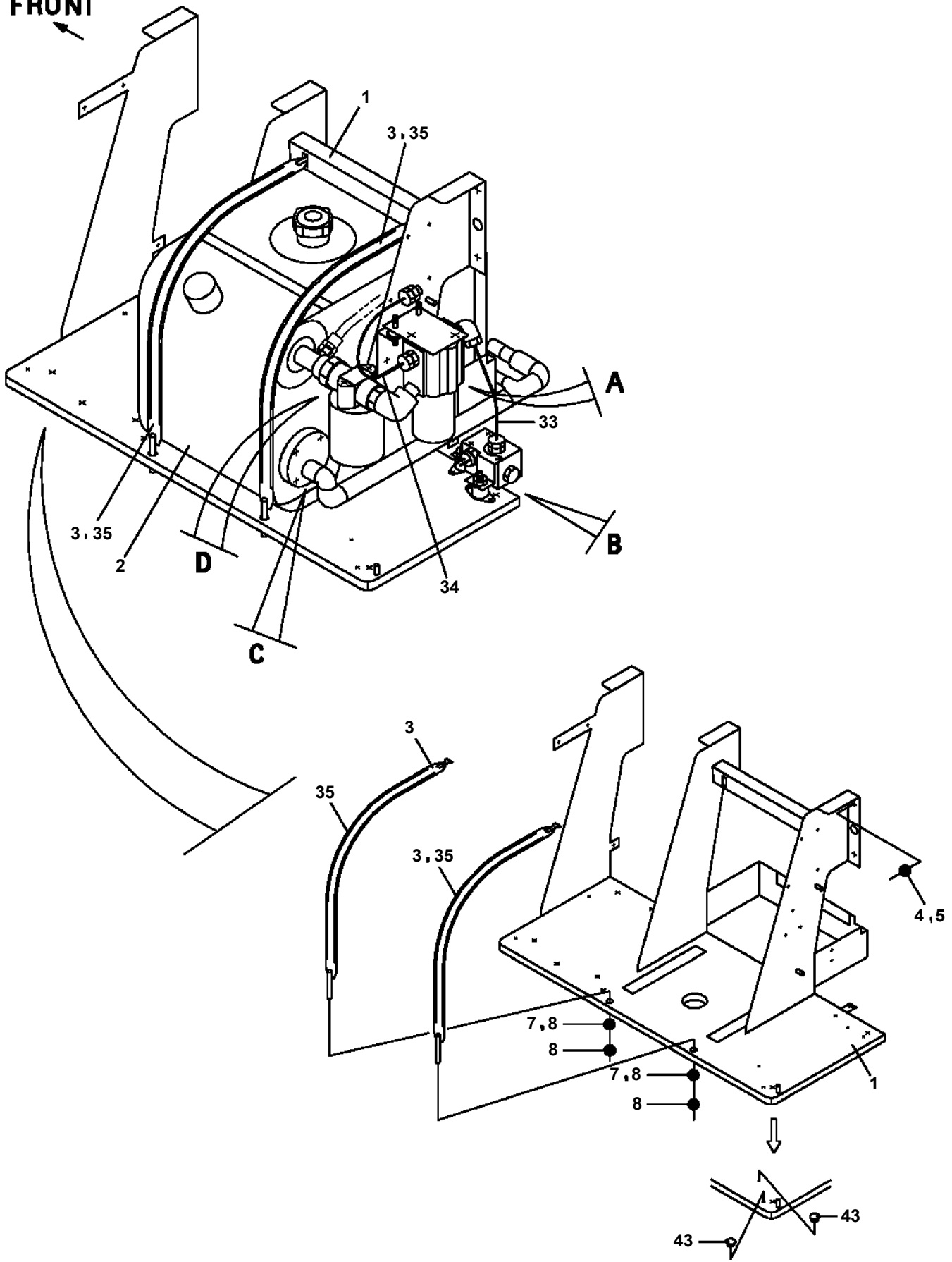
Pos No.	Parts No	Parts Name	Qty	Unit	Technical Data	Serial No (Start)	Serial No (End)	Remarks
1	90101208016	BOLT	2		M8X16			
2	90302040801	WASHER,SPRING	2		8			
3	36630910060	NEEDLE	1					
4	36630910030	HOLDER	1					
5	91002801000	O-RING	1		1B P10			
6	91410001000	RING,BACKUP	1		P10			
8	36630910050	POPPET	1					
9	52255101000	SPRING	1					
10	91002801400	O-RING	1		1B P14			
11	36620030050	PLUG	1					
12	82400000350	KNOB	1					
13	37000508510	PLATE	1					
14	80172303006	SCREW,MACHINE	1		M3X6			
100	36636340000	VALVE,MANUAL CONTROL	1					

AT-147-3 43010100032 UPPER
PB1380294-00 POWER SUPPLY (MOTOR UNIT)



AT-147-3 43010100032 UPPER
PB1411891-04 PIPING,LOWER (TANK)

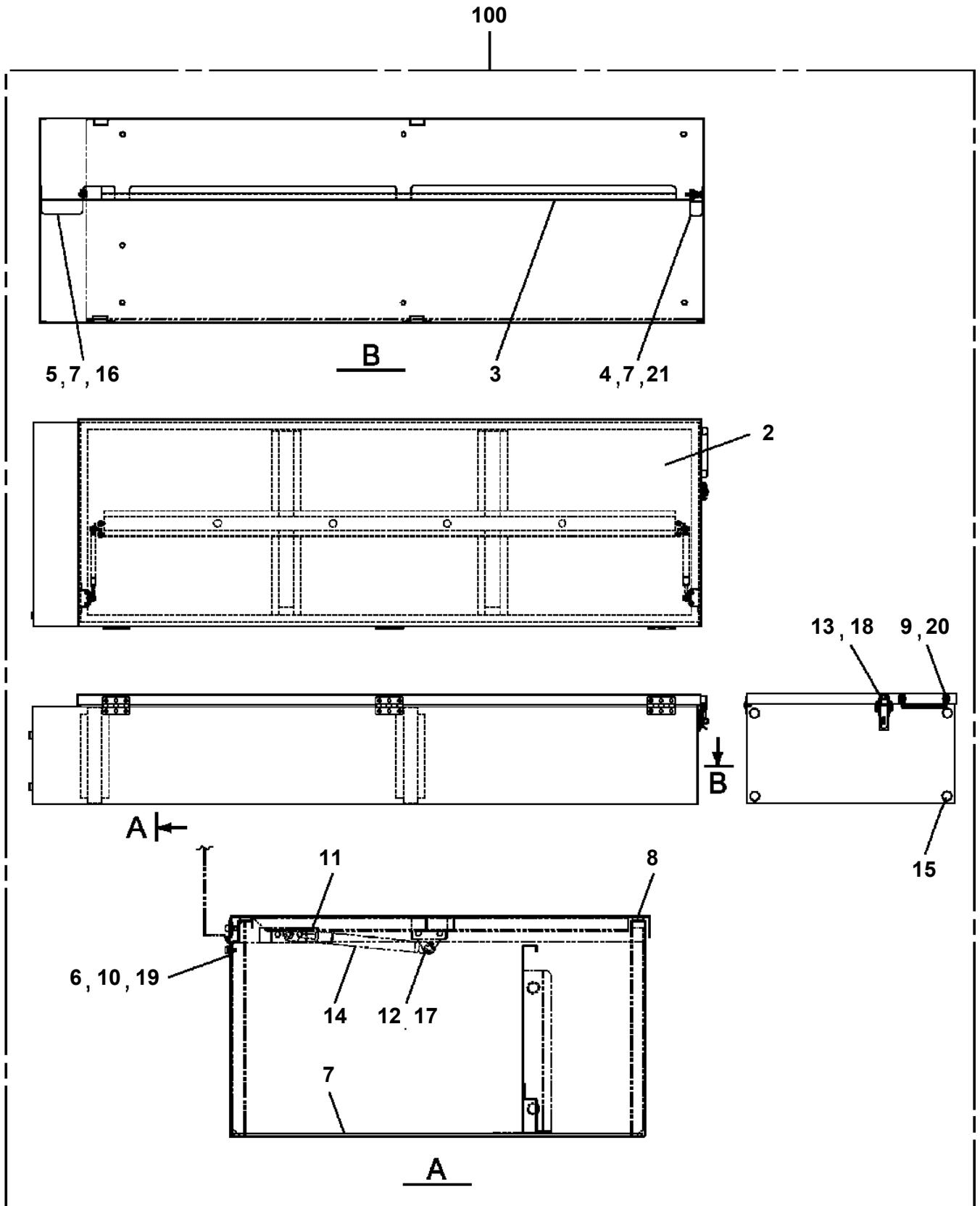
FRONT
↖



AT-147-3 43010100032 UPPER

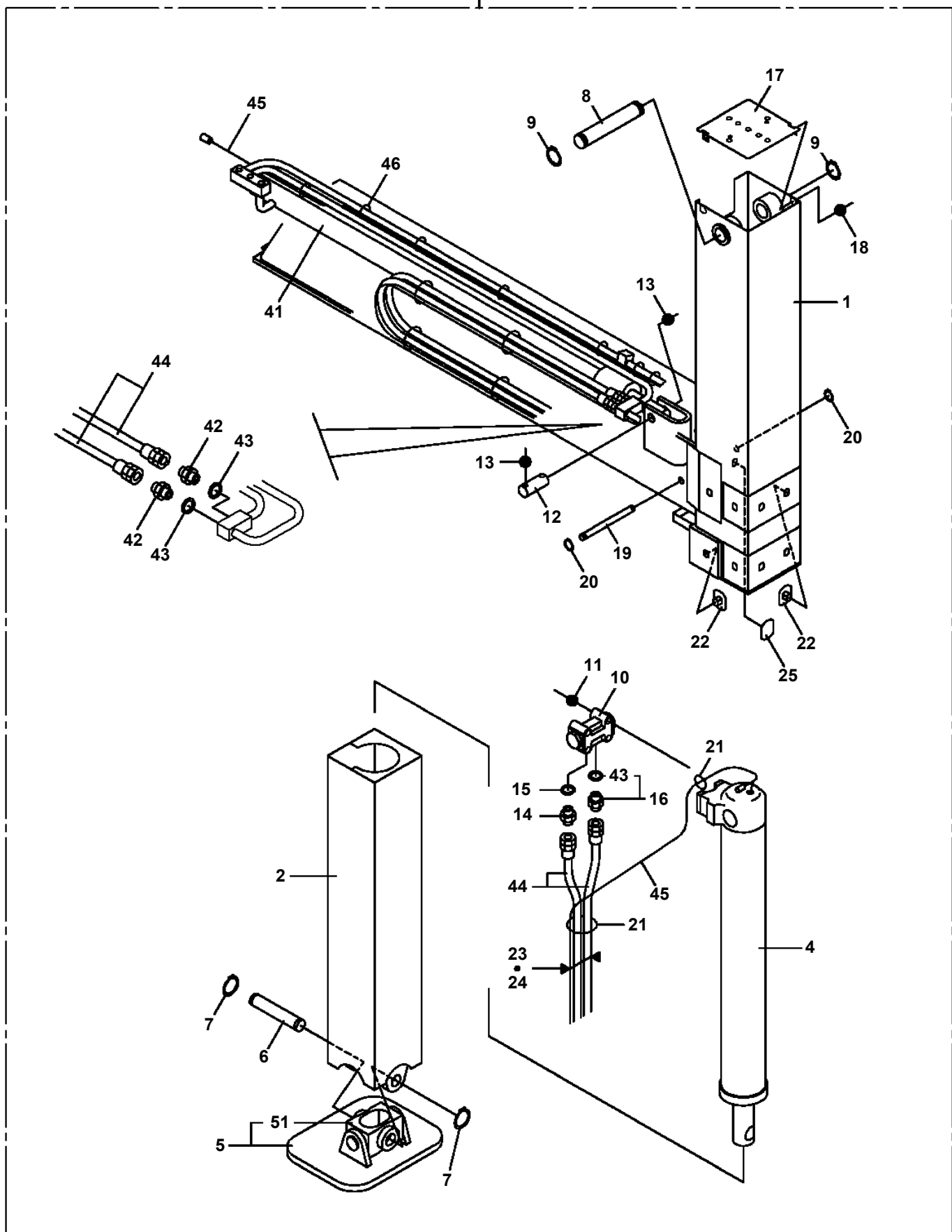
Pos No.	Parts No	Parts Name	Qty	Unit	Technical Data	Serial No (Start)	Serial No (End)	Remarks	Pages
1	42972410000	BLOCK,WOOD	1		T=150				

AT-147-3 43010100032 UPPER
PB5410007-00 BOX, TOOL

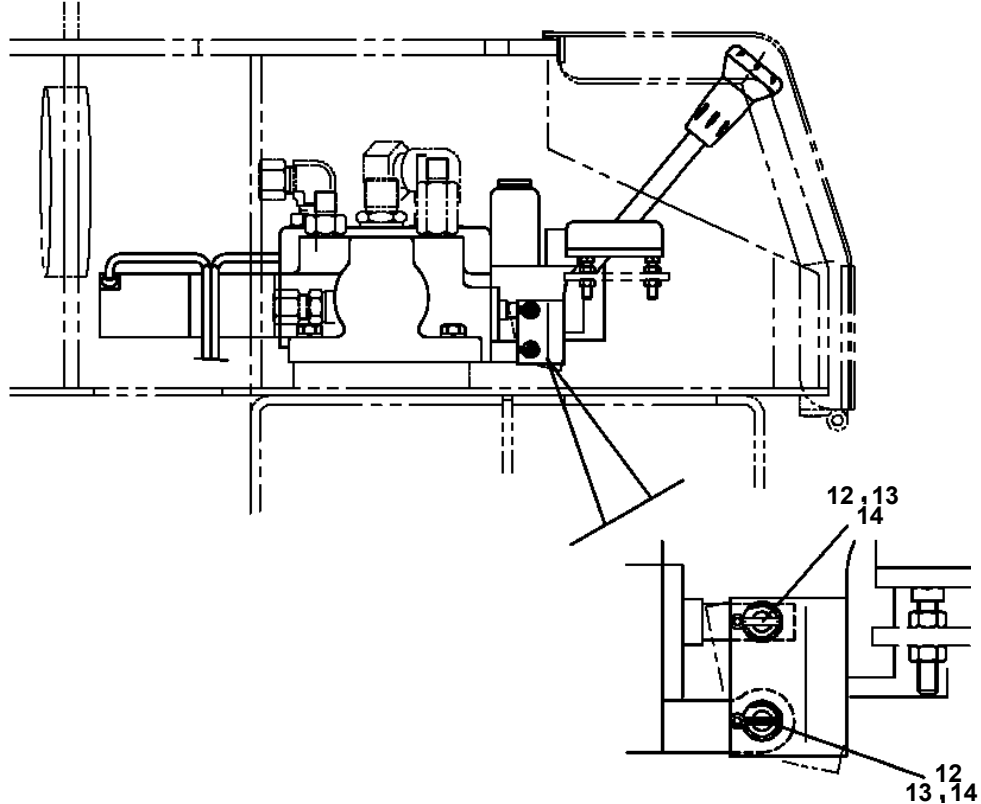
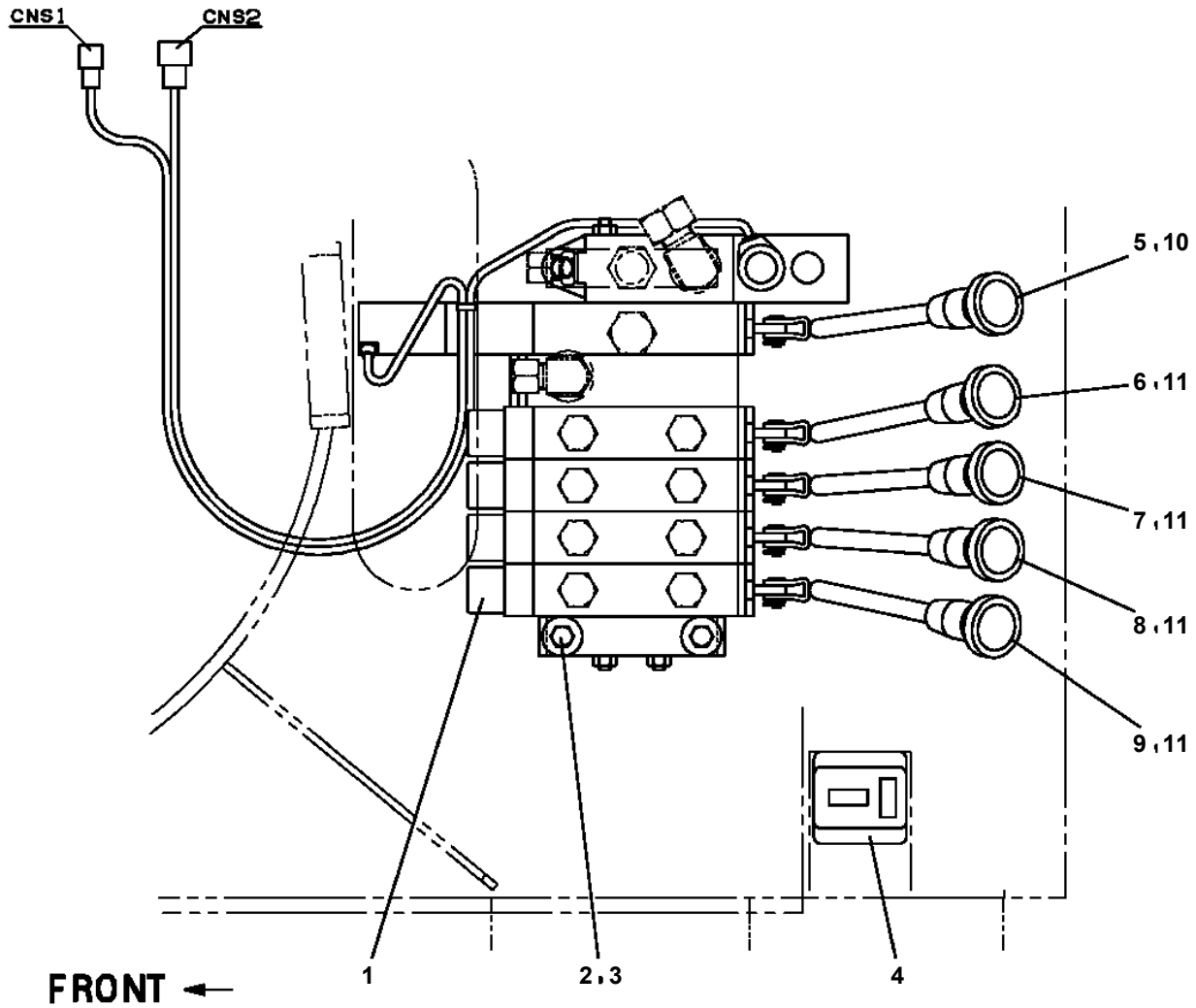


AT-147-3 43010100032 UPPER
PC1011620-00 OUTRIGGER (REAR/INNER CASE)

100



AT-147-3 43010100032 UPPER
PC1100280-00 OPE.ASSY,OUTRIGGER



AT-147-3 43010100032 UPPER

Pos No.	Parts No	Parts Name	Qty	Unit	Technical Data	Serial No (Start)	Serial No (End)	R
1	36132155010	PLATE (BASE)	1					
2	36132155020	CASE	1					
3	36132155030	COVER	1					
8	36132155080	BRACKET	1					
9	36131805010	PACKING	1					
10	36131745010	POTENTIOMETER	1					
11	36132155090	GEAR	1					
12	36132155100	GEAR	1					
13	36132155110	WIRE ASSY	1					
14	36132155120	CORD ASSY	1					
51	36132155140	SPRING ASSY	1					
100	36132150000	DETECTOR,OUTRIGGER LENGTH	1					

AT-147-3 43010100032 UPPER

Pos No.	Parts No	Parts Name	Qty	Unit	Technical Data	Serial No (Start)	Serial No (End)	R
1	42614462100	CASE,INNER	1					
2	42613351200	CASE,INNER (JACK)	1					
4	36035100000	CYLINDER,JACK	1					
5	42502970100	FLOAT ASSY	1					
6	37000171720	PIN	1					
7	80601110250	RING,RITAINING	2		S25			
8	37000169010	PIN	1		30			
9	80601110300	RING,RITAINING	2		S30			
10	36625740001	VALVE,CHECK	1					
11	90171108055	BOLT	4		M8X55			
12	37000138750	PIN	1		18			
13	80136332036	PIN,SPLIT	2		3.2X36			
14	80400160127	JOINT	1					
15	91002801100	O-RING	1		1B P11			
16	36672460000	FILTER (NIPPLE TYPE)	1					
17	42612851010	COVER	1					
18	90186206014	BOLT,FLANGE	2		M6X14			
19	37000112320	PIN	1					
20	80601110120	RING,RITAINING	2		S12			
21	91810130240	FASTENER	2					
22	31201770100	PLATE,SLIDE	8		T=3.0			
23	82467300106	PLUG	4					
41	36042810000	CYLINDER,EXTENSION (FRONT)	1					
42	80400160127	JOINT	2					
43	91002801100	O-RING	3		1B P11			
44	37002485290	HOSE	1		L=1605			
45	42614051350	HARNESS	1			590392		
46	91810130240	FASTENER	13					
63	42612851420	TRUNNION	1					
100	42614462000	CASE ASSY,INNER (FRONT,LEFT)	1					

AT-147-3 43010100032 UPPER

Pos No.	Parts No	Parts Name	Qty	Unit	Technical Data	Serial No (Start)	Serial No (End)
1	42508320000	COVER ASSY (BACKET CONTROL)	1				

AT-147-3 43010100032 UPPER

Pos No.	Parts No	Parts Name	Qty	Unit	Technical Data	Serial No (Start)
1	36623930000	VALVE,PILOT CHECK	1			
2	91002801000	O-RING	2		1B P10	
3	36054430000	CYLINDER ASSY (LIFT,BUCKET FRAME)	1			
6	90180210035	BOLT,BUTTON	2		M10X35	
100	42268804001	CYLINDER ASSY (LIFT,BUCKET FRAME WITH VALVE)	1			

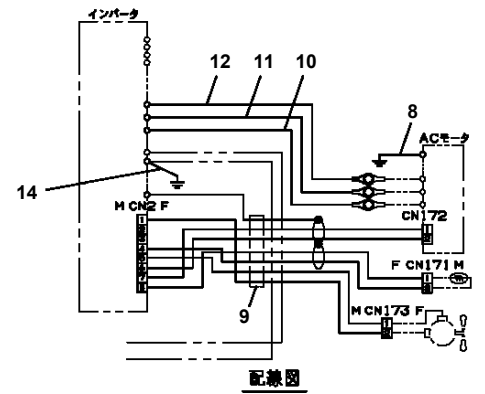
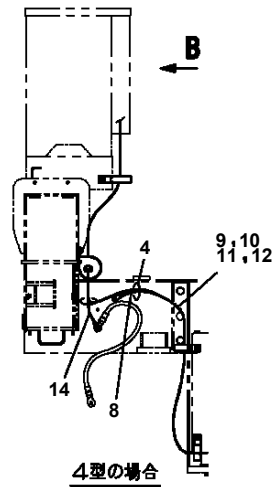
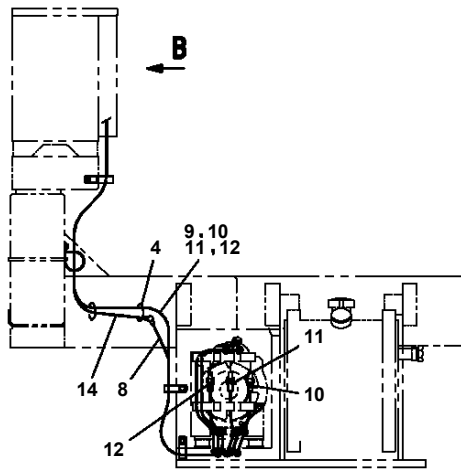
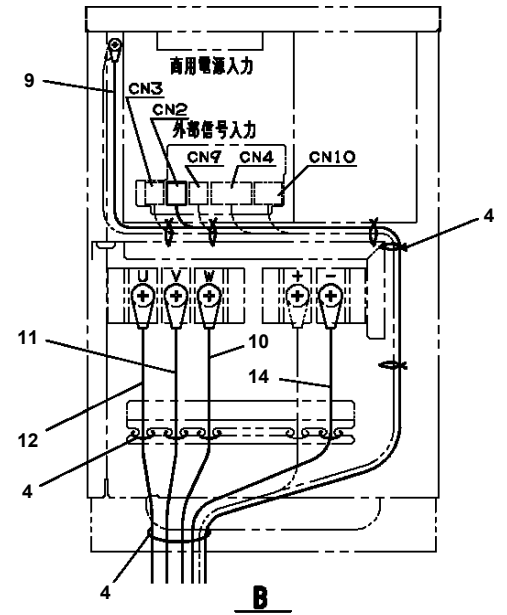
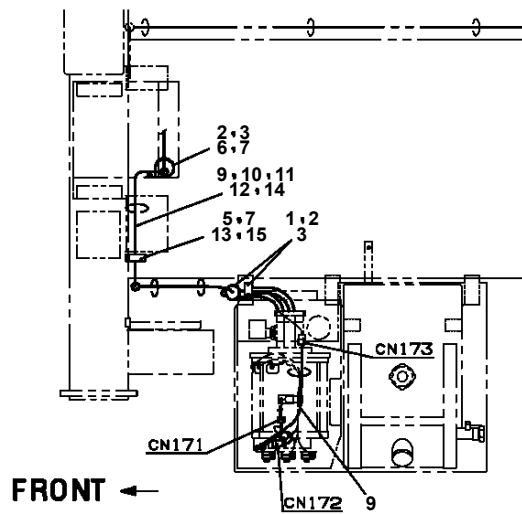
AT-147-3 43010100032 UPPER

Pos No.	Parts No	Parts Name	Qty	Unit	Technical Data	Serial No (Start)	Serial No (End)
2	36081560000	REDUCER,SWING SPEED	1				
3	90171118070	BOLT (DACRO)	3		M18X70		
4	90303501805	WASHER,PLAIN	6		18		
5	90201781800	NUT (DACRO)	3		M18		
6	90171212035	BOLT (DACRO)	2		M12X35	590400	590399
	90174112035	BOLT	2		M12X35		
7	90710012400	SCREW,SET	2		M12X40		
8	90203201200	NUT	4		M12		
9	90172112035	BOLT,HEXAGON SOCKET	2		M12X35		
10	90302041201	WASHER,SPRING	2		12		
11	36662590000	MOTOR,HYDRAULIC (SWING)	1			590370	590369
	36664070000	MOTOR,OIL	1				
12	91002908500	O-RING	1		1B G85		
31	37002302450	BEARING,SWING (NSK)	1				
32	37002304750	BEARING,SWING (KOYO)	1				
	37002303560	BEARING,SWING (NIHON MONORACE)	1				
41	37002399010	SEAL (UP,DOWN-SIDE SET)	1				
42	82456201000	NIPPLE,GREASE	6		A-TYPE PT1/8		

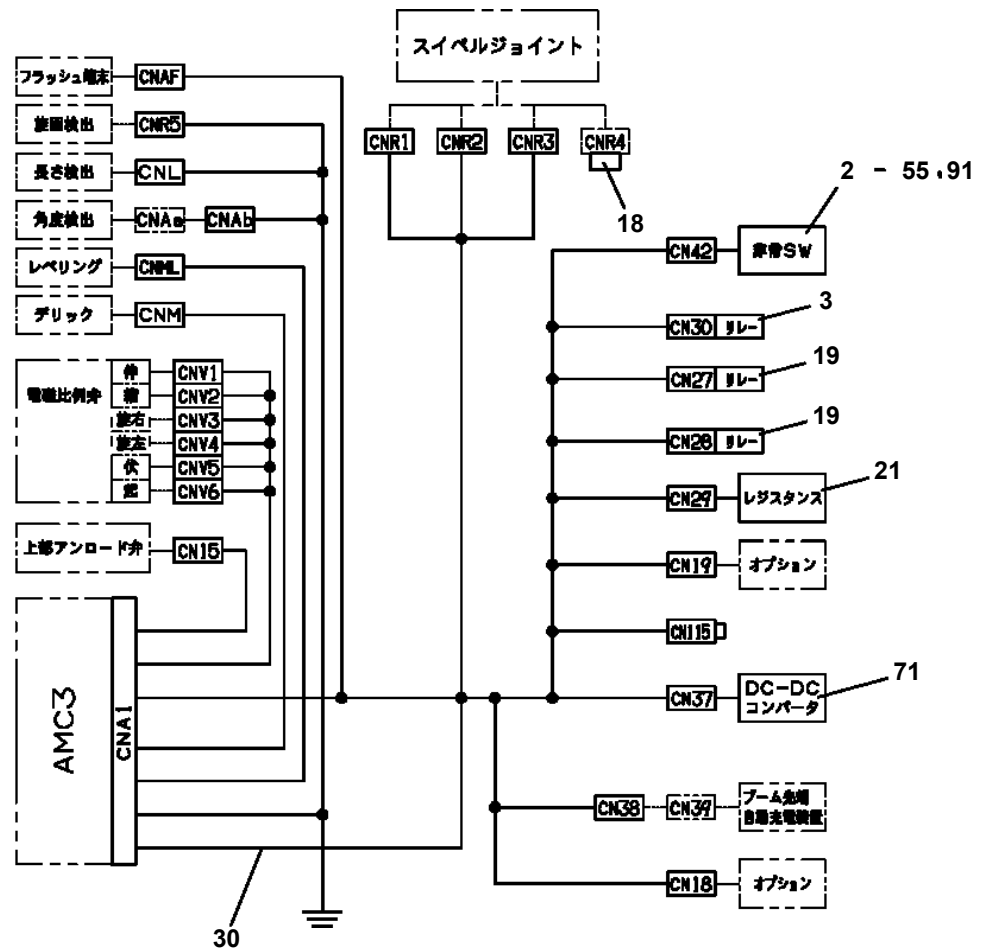
AT-147-3 43010100032 UPPER

Pos No.	Parts No	Parts Name	Qty	Unit	Technical Data	Serial No (Start)	Serial No (End)	Remarks	Pages
1	(***** 42512320100	REEL ASSY,CORD SUPPORT	1						00024
2	42512320200	SUPPORT	1						
3	90101208020	BOLT	2		M8X20				
4	90302040801	WASHER,SPRING	2		8				
5	42421721500	CABLE ASSY	1		L=700				
6									

**AT-147-3 43010100032 UPPER
PE5150002-01 ELEC.ASSY,MOTOR (MOUNT/MOTOR UNIT)**



AT-147-3 43010100032 UPPER
 PE5190027-00 ELEC.ASSY,SWING FRAME



AT-147-3 43010100032 UPPER

Pos No.	Parts No	Parts Name	Qty	Unit	Technical Data	Serial No (Start)	Serial No (End)	Remarks	Pages
1	42477571000	SUPPORT	1						
2	90201201600	NUT	1		M16				
3	90303071601	WASHER,PLAIN	1		16				

AT-147-3 43010100032 UPPER

Pos No.	Parts No	Parts Name	Qty	Unit	Technical Data	Serial No (Start)	Serial No (End)
1	36051839510	CYLINDER ASSY	1				590392 590392
	36051839511	CYLINDER ASSY	1				
	36051839511	CYLINDER ASSY	1				
2	90267402000	NUT	1				
	90267402000	NUT	1				
3	36051091500	PISTON	1				
	36051091500	PISTON	1				
4	80612110400	RING,RITAINING	1		AR40		
	80612110400	RING,RITAINING	1		AR40		
5	80820003020	BEARING,PLAIN	4				
	80820003020	BEARING,PLAIN	4				
6	91350207000	BEARING,PLAIN (WITH PACKINGX2)	1				
	91350207000	BEARING,PLAIN (WITH PACKINGX2)	1				
7	36051839520	ROD ASSY	1				
	36051839520	ROD ASSY	1				
8	36051839530	COVER,ROD	1				
	36051839530	COVER,ROD	1				
9	91002906500	O-RING	1		1B G65		
	91002906500	O-RING	1		1B G65		
10	91694003500	PACKING	1				
	91694003500	PACKING	1				
11	91410203501	RING,BACKUP	1				
	91410203501	RING,BACKUP	1				
12	91660003501	SEAL,DUST	1				
	91660003501	SEAL,DUST	1				
13	90302042001	WASHER,SPRING	1		20		
	90302042001	WASHER,SPRING	1		20		
14	91002801800	O-RING	1		1B P18		
	91002801800	O-RING	1		1B P18		
15	82458202000	NIPPLE,GREASE	1		B-TYPE PT1/8		
	82458202000	NIPPLE,GREASE	1		B-TYPE PT1/8		
16	80801003520	BEARING,PLAIN	1				
	80801003520	BEARING,PLAIN	1				
18	82456201000	NIPPLE,GREASE	1		A-TYPE PT1/8		
	82456201000	NIPPLE,GREASE	1		A-TYPE PT1/8		
19	42342460320	ORIFICE	2		1.0	590392	
	42342460320	ORIFICE	2		1.0	590392	
30	36051099900	PACKING SET	1		35X70		
	36051099900	PACKING SET	1		35X70		
50	36051830000	CYLINDER,WINCH JIB (POWER)	1				
	36051830000	CYLINDER,WINCH JIB (POWER)	1				

AT-147-3 43010100032 UPPER

Pos No.	Parts No	Parts Name	Qty	Unit	Technical Data	Serial No (Start)	Serial No (End)	Remarks	Pages
1	42626191000	FRAME ASSY	1						
2	37001501340	BOLT	18		M16X85				
3	90303501601	WASHER,PLAIN	18		16				
4	(***** *****)	COVER	1						000181
5	90186208010	BOLT,FLANGE	12		M8X10				
6	42622700200	COVER	1						
7	80175305010	SCREW,MACHINE	6		M5X10				
8	82400000393	INSULATOR	2						
9	80172303014	SCREW,MACHINE	2		M3X14				
10	90303070301	WASHER,PLAIN	2		3				
11	42622700400	COVER	2						
12	42623120100	COVER	1						
13	42624700101	COVER	2						
14	42624182300	PLATE	2						
15	90302040401	WASHER,SPRING	4		4				
16	42624182400	PLATE	2						
17	90101204010	BOLT	4		M4X10				
18	33230000050	PLATE	1						
43	82400000204	GROMMET	3		L=320				

AT-147-3 43010100032 UPPER

Pos No.	Parts No	Parts Name	Qty	Unit	Technical Data	Serial No (Start)	Serial No (End)	Remark
1	36132015010	PLATE (BASE)	1					
2	36132425010	CASE	1					
3	36132015020	DRUM ASSY	1					
4	36132015030	COVER	1					
5	31370105030	PACKING	1					
6	31370005030	PACKING	1					
7	36132095060	SEAL	1					
8	36131825030	BRACKET	1					
9	36131825040	CABLE ASSY	1					
10	36132015040	POTENTIOMETER	1					
11	36130045090	CLIP (NYLON)	1					
12	32360005150	CLIP (NYLON)	1					
13	36132015050	GEAR (A)	1					
14	36132015060	GEAR (B)	1					
17	36160435100	COLLAR	1					
18	31370005080	GUIDE (CORD)	1					
19	36132425020	WIRE ASSY	1					
100	36132420000	DETECTOR,BOOM LENGTH	1					

AT-147-3 4301010032 UPPER

Pos No.	Parts No	Parts Name	Qty	Unit	Technical Data	Serial No (Start)	Serial No (End)	Remarks	Pages
1	42356320200	SUPPORT	19						
2	37000517380	PLATE	1		T=2.3 TO 3.2				
3	42443140202	COVER	1						
4	42443100303	COVER	1						
8	42443101001	COVER ASSY	1						
9	42443100501	COVER	1						
10	42443100601	COVER	1						
11	82100000952	GROMMET	4						
12	90186208014	BOLT,FLANGE	22		M8X14				
13	90303070801	WASHER,PLAIN	48		8		590399		
	90303070801	WASHER,PLAIN	50		8	590400			
14	42443140010	SUPPORT	3						
15	90180206020	BOLT,BUTTON	3		M6X20				
16	90302040601	WASHER,SPRING	14		6				
17	90180206016	BOLT,BUTTON	8		M6X16				
19	90201200800	NUT	22		M8				
20	90302040801	WASHER,SPRING	22		8				
21	90180206012	BOLT,BUTTON	4		M6X12				
22	90186208020	BOLT,FLANGE	4		M8X20				
24	42443100403	COVER	1						
27	42443140301	COVER ASSY	1						
28	42443141000	COVER ASSY	1						
42	42443101204	COVER ASSY	1						
47	42443101304	COVER ASSY	1						
51	42443101010	SUPPORT	1						
52	42443101101	SUPPORT	1						
53	42443101020	BLADE	1						
54	80172304010	SCREW,MACHINE	22		M4X10				
55	90302040401	WASHER,SPRING	22		4				
61	42443101310	PLATE	2						
63	42443101271	BLADE	2						
64	42443101281	SUPPORT	1						
67	90201200400	NUT	8		M4				
84	42443101381	SUPPORT	1						
101	42443100711	SUPPORT	1						
102	42443140320	BLADE	1						
103	42443100760	PLATE	1						
151	42443141100	COVER	1						
152	42443102200	BLADE	2						
155	42443102300	SUPPORT	2						
161	82400000200	GROMMET	1		KG-012,L=250				

AT-147-3 43010100032 UPPER

Pos No.	Parts No	Parts Name	Qty	Unit	Technical Data	Serial No (Start)	Serial No (End)	Remarks	Pages
10	34251200500	LEVEL GAUGE	1						

AT-147-3 43010100032 UPPER

Pos No.	Parts No	Parts Name	Qty	Unit	Technical Data	Serial No (Start)	Serial No (End)	Remarks	Pages
10	42900000101	HARNESS	1						

AT-147-3 43010100032 UPPER

Pos No.	Parts No	Parts Name	Qty	Unit	Technical Data	Serial No (Start)	Serial No (End)	Remarks	Pages
100	42653720201	HARNESS	1						

AT-147-3 43010100032 UPPER

Pos No.	Parts No	Parts Name	Qty	Unit	Technical Data	Serial No (Start)	Serial No (End)	Remarks	Pages
100	42422723400	HARNESS	1						

AT-147-3 43010100032 UPPER

Pos No.	Parts No	Parts Name	Qty	Unit	Technical Data	Serial No (Start)	Serial No (End)	Remarks	Pages
100	42502852100	HARNESS	1						

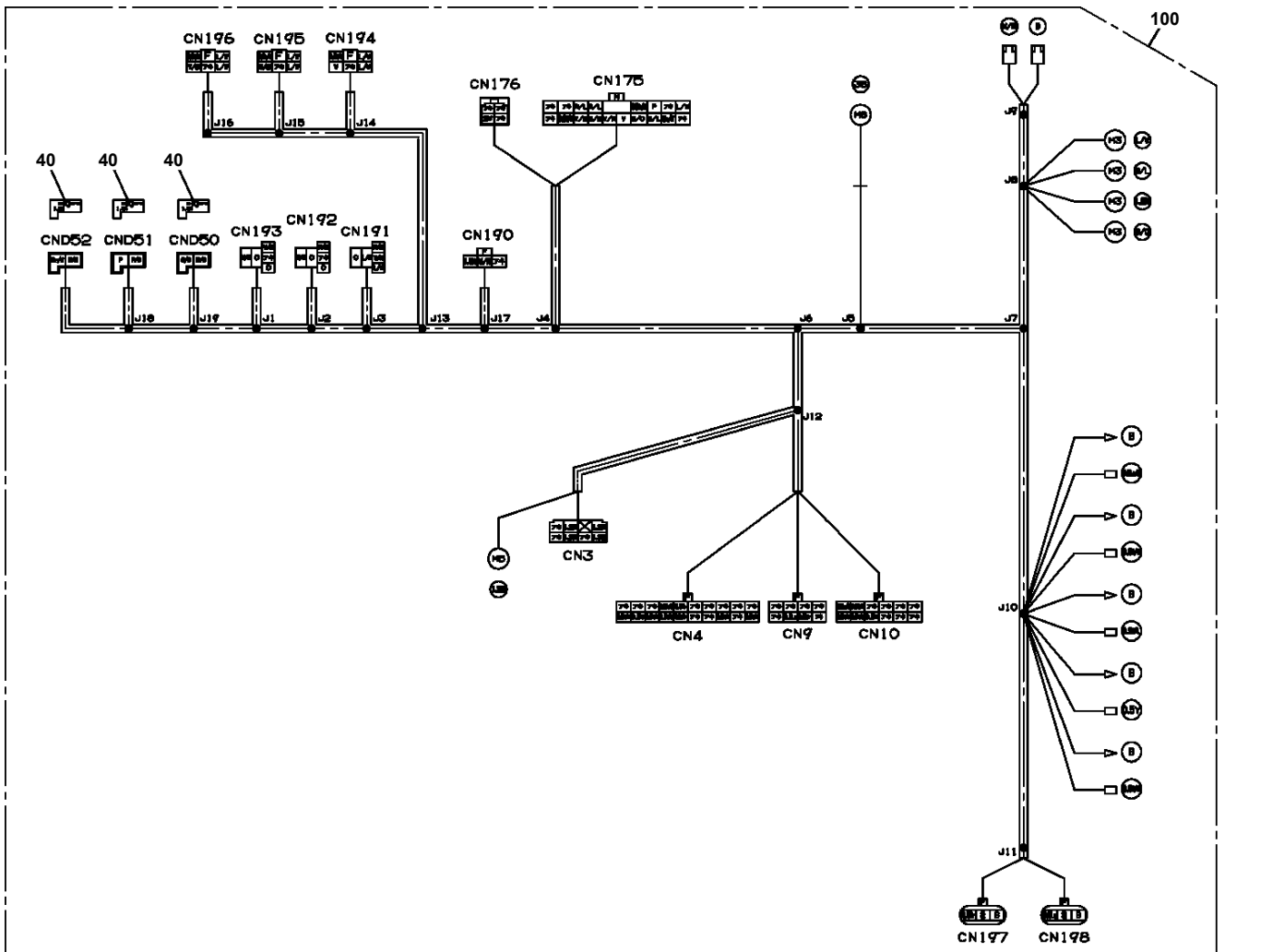
AT-147-3 43010100032 UPPER

Pos No.	Parts No	Parts Name	Qty	Unit	Technical Data	Serial No (Start)	Serial No (End)	Remarks	Pages
100	42356380101	HARNESS	1						

AT-147-3 43010100032 UPPER

Pos No.	Parts No	Parts Name	Qty	Unit	Technical Data	Serial No (Start)	Serial No (End)	Remarks	Pages
100	42357160200	HARNESS	1						

AT-147-3 43010100032 UPPER PH5032453-00 HARNESS



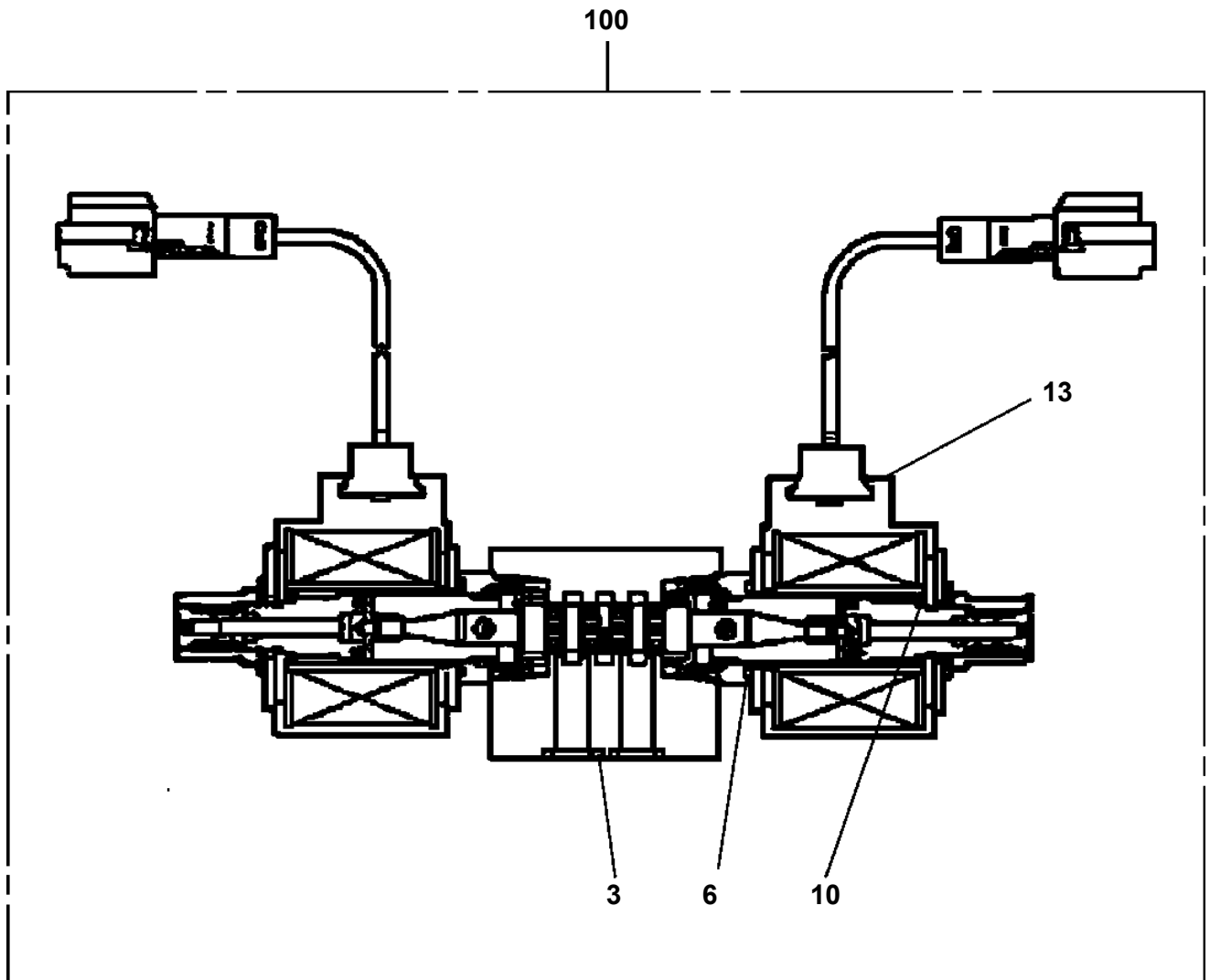
AT-147-3 43010100032 UPPER

Pos No.	Parts No	Parts Name	Qty	Unit	Technical Data	Serial No (Start)	Serial No (End)	Remarks	Pages
100	42356320300	HARNESS	1						

AT-147-3 43010100032 UPPER

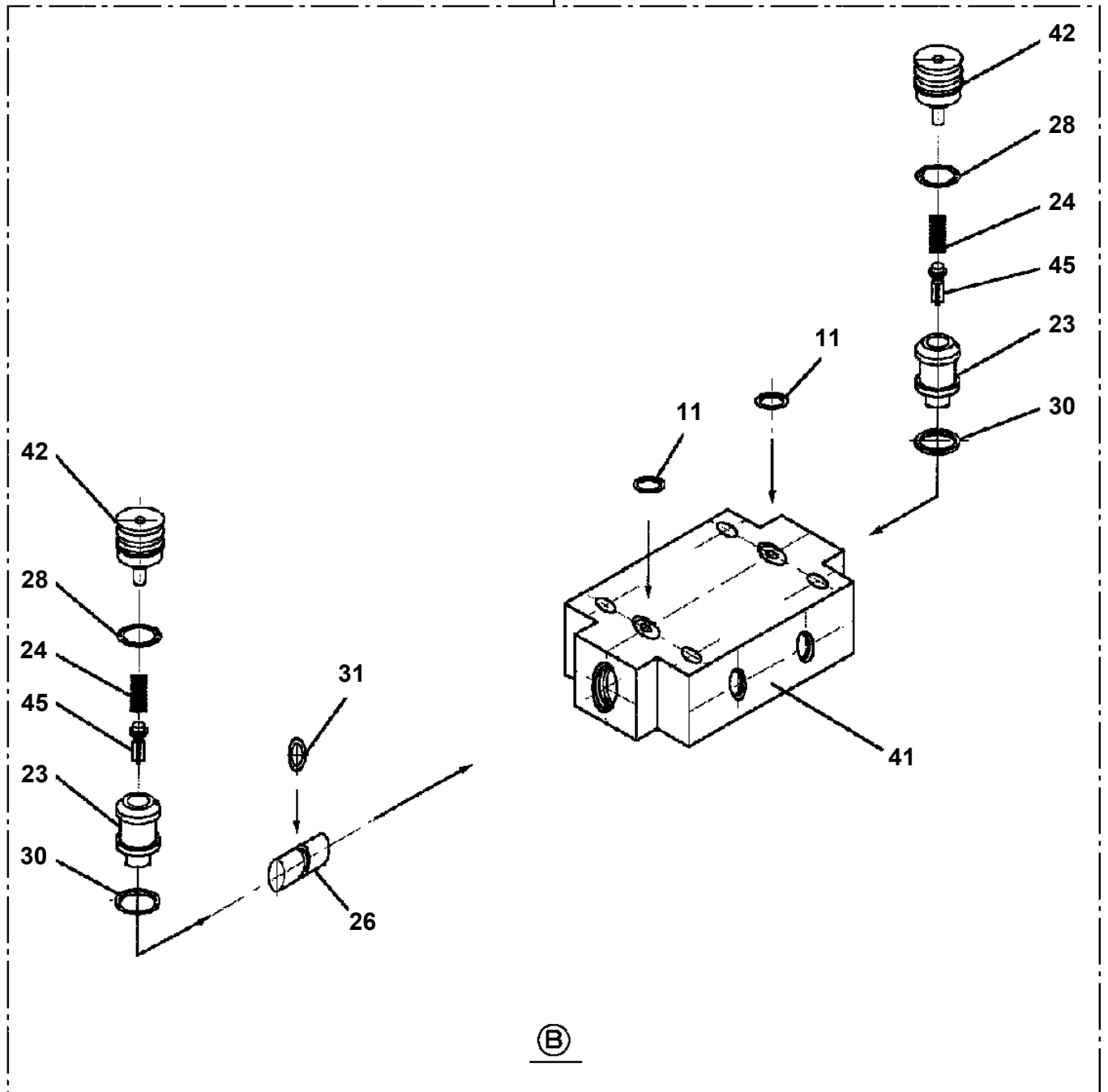
Pos No.	Parts No	Parts Name	Qty	Unit	Technical Data	Serial No (Start)	Serial No (End)	Remark
1	36661615010	SCREW	7					
2	36663465010	GEROLLER	1					
3	36663465020	SHAFT,DRIVING	1					
4	36663475010	CAP (END)	1					
6	36660375070	KEY	1		7X7X31.5			
7	36660405020	PLATE (SPACER)	1					
8	36072725270	FLANGE	1					
9	36660375050	RACE (BEARING)	1					
10	36660375080	SHAFT (OUTPUT)	1					
11	36663415040	HOUSING	1					
13	36660375060	BEARING,THRUST NEEDLE	1					
14	36661585030	SCREW	4					
15	36663415050	PIN (PISTON)	1					
23	36660405070	BALL	2					
28	36663415060	COVER (PISTON)	1					
29	36663415070	SCREW	4					
31	36663415080	SPRING	1					
41	36663415090	SEAL KIT	1					
52	36663415100	O-RING	1					
100	36663460000	MOTOR,HYDRAULIC	1					

AT-147-3 43010100032 UPPER
PI1120335-00 VALVE,SOLENOID



AT-147-3 43010100032 UPPER
PI1140133-01 VALVE,CHECK

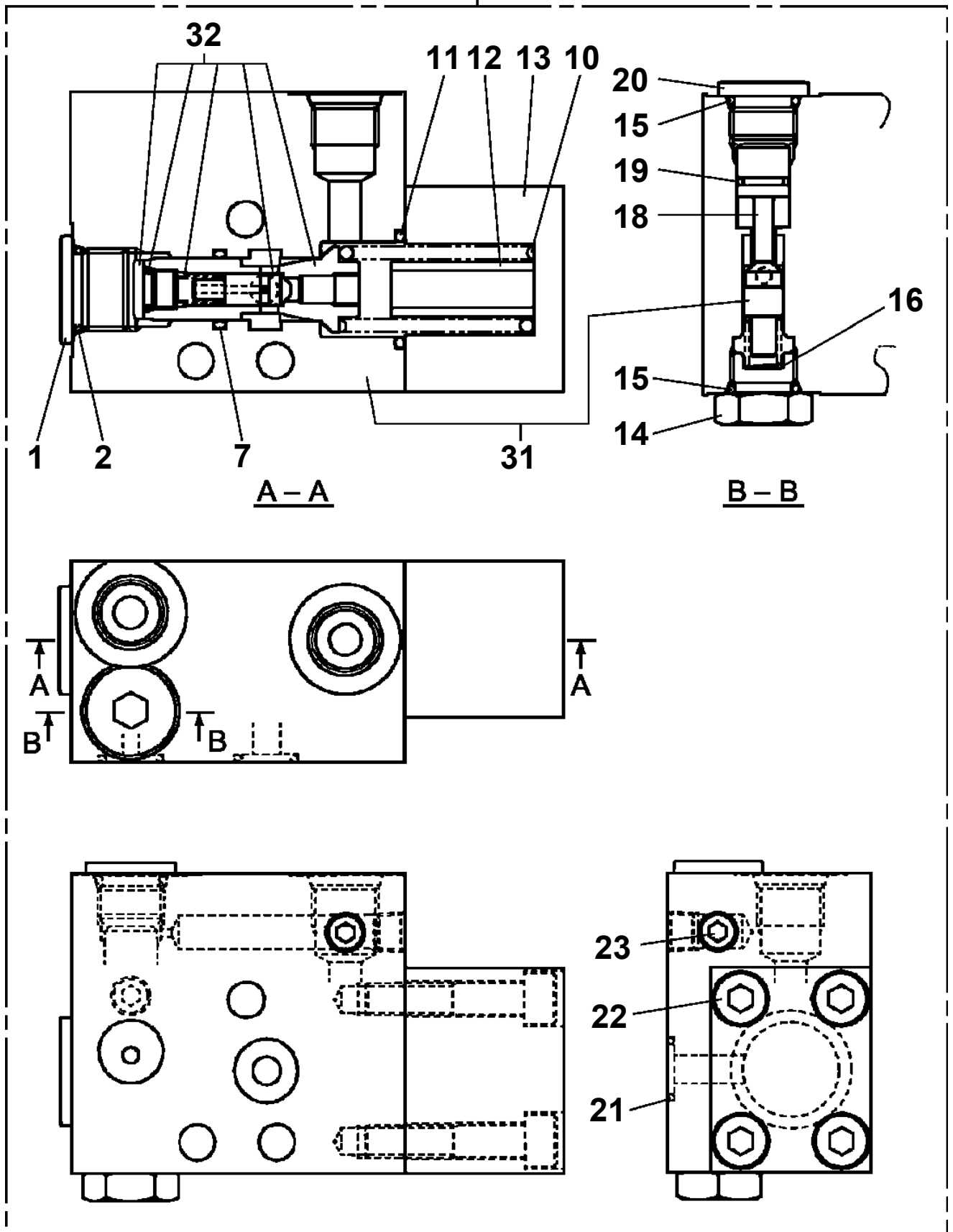
100



ⓑ

AT-147-3 43010100032 UPPER
PI1250153-00 VALVE,COUNTERBALANCE

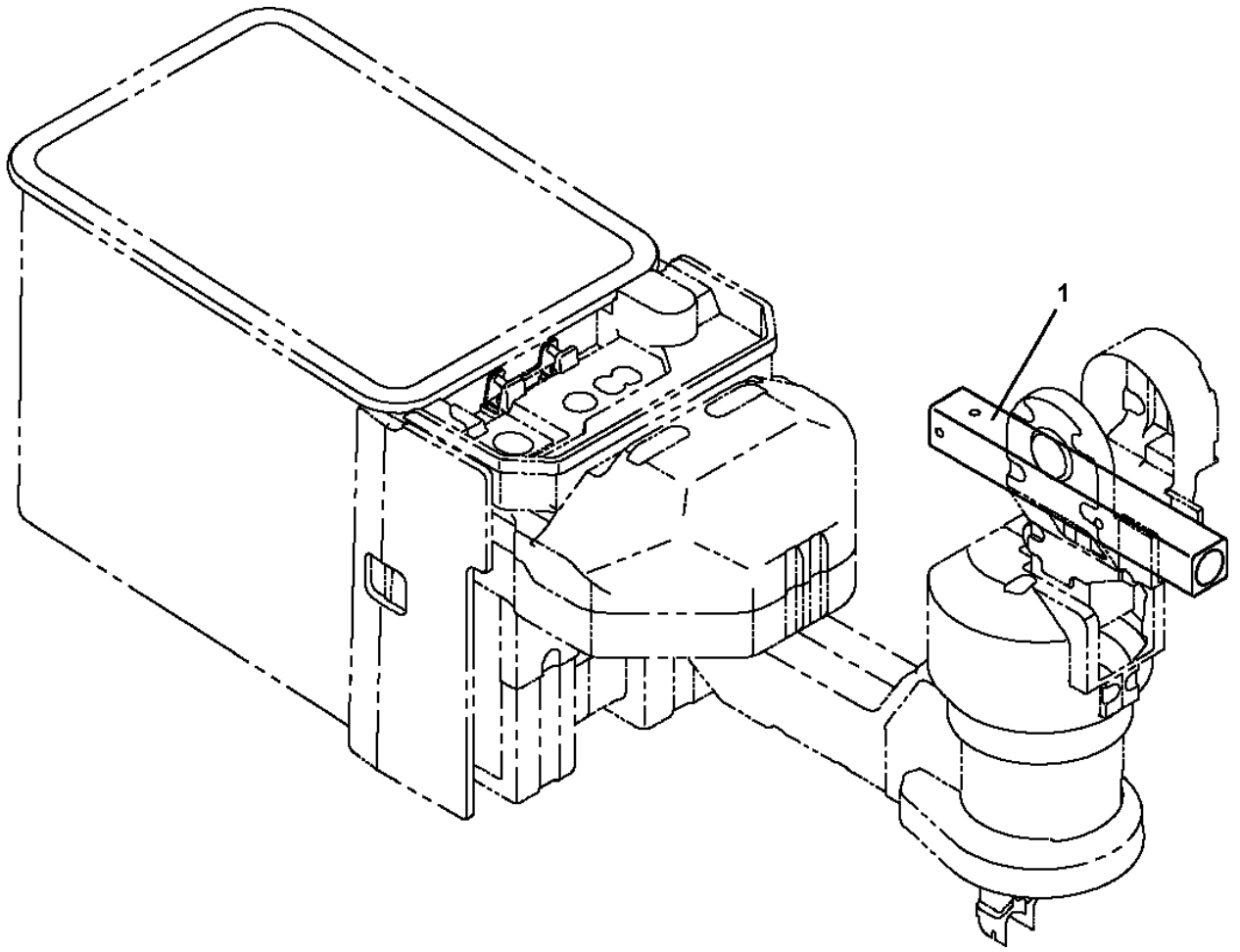
100



AT-147-3 43010100032 UPPER

Pos No.	Parts No	Parts Name	Qty	Unit	Technical Data	Serial No (Start)	Serial No (End)	Remarks	Pages
1	42506420100	PLUG	1						
2	91810132530	FASTENER	1						
31	42506421100	PLATE,CAUTION	1						

**AT-147-3 43010100032 UPPER
PJ5050119-00 JIB ASSY**



AT-147-3 43010100032 UPPER

Pos No.	Parts No	Parts Name	Qty	Unit	Technical Data	Serial No (Start)	Serial No (End)	Remarks
1	42272361002	COVER	1				590360	
	42272361003	COVER ASSY	1			590361	590405	
	42272361004	COVER ASSY	1			590406	590433	
	42272361005	COVER ASSY	1			590434		
2	42272362001	COVER ASSY	1				590360	
3	90101208016	BOLT	12		M8X16			
4	90302040801	WASHER,SPRING	12		8			
5	90303070801	WASHER,PLAIN	12		8			
6	90101206014	BOLT	6		M6X14			
7	90302040601	WASHER,SPRING	6		6			
8	37000512320	PLATE	6					
9	42270480020	COVER	1					
10	42272360100	COVER	1					
13	82466009202	CATCH	1				590399	
14	80172803008	SCREW,MACHINE	2		M3X8		590399	
15	90303520301	WASHER,PLAIN	2		3		590399	
16	82400000393	INSULATOR	1				590399	
17	80172804016	SCREW,MACHINE	1		M4X16		590399	
18	90201500400	NUT	1		M4		590399	
19	90302510401	WASHER,SPRING	1		4		590399	
20	37000550890	PLATE	3			590361		
21	90303070401	WASHER,PLAIN	1		4	590394	590399	
31	42272362002	COVER ASSY	1			590361	590371	
32	42272362003	COVER ASSY	1			590372	590399	
33	42272362004	COVER ASSY	1			590400		
41	42272362102	COVER	1				590371	
42	42272362200	COVER	1				590360	
43	82464107501	HINGE	2					
44	90201500300	NUT	8		M3		590371	
	90201500300	NUT	14		M3	590372		
45	90302510301	WASHER,SPRING (SUS 3)	8				590371	
	90302510301	WASHER,SPRING (SUS 3)	14			590372		
46	80175803008	SCREW,MACHINE	8		M3X8			
47	82400000310	GROMMET	1		L=1000		590360	
62	42272362201	COVER	1			590361	590371	
71	42272362103	COVER	1			590372	590399	
72	42272362202	COVER	1			590372	590399	
77	82466117003	LOCK	1			590372		
78	80175803010	SCREW,MACHINE	6		M3X8	590372		
79	90303520301	WASHER,PLAIN	2		3	590372		
91	42272362104	COVER	1			590400		
92	42272362203	COVER	1			590400		
100	42272362010	PLATE	4		T=0.5	590402		
101	42272362020	PLATE	1		T=0.5	590402		
102	42272362030	PLATE	1		T=0.5	590402		

AT-147-3 43010100032 UPPER

Pos No.	Parts No	Parts Name	Qty	Unit	Technical Data	Serial No (Start)	Serial No (End)	Remarks	Pages
1	42267276101	COVER	1						
2	91810130270	FASTENER	4						

CLICK HERE TO **DOWNLOAD** THE COMPLETE MANUAL

- Thank you very much for reading the preview of the manual.
- You can download the complete manual from: www.heydownloads.com by clicking the link below



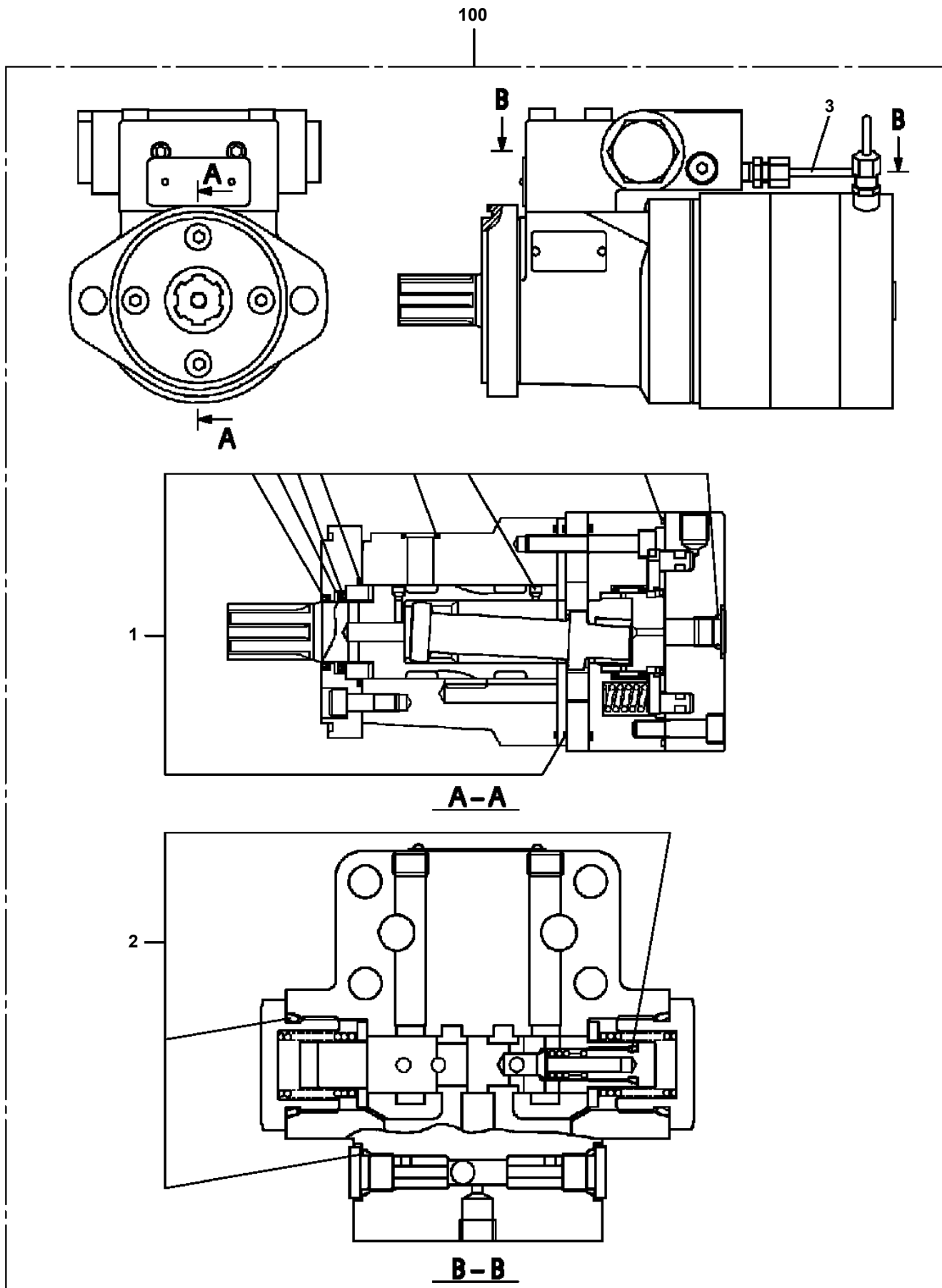
- Please note: If there is no response to CLICKING the link, please download this PDF first and then click on it.

CLICK HERE TO **DOWNLOAD** THE COMPLETE MANUAL

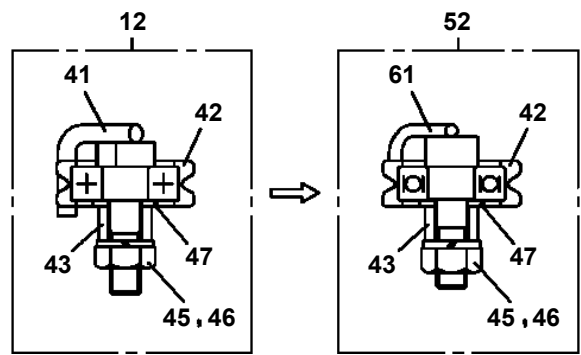
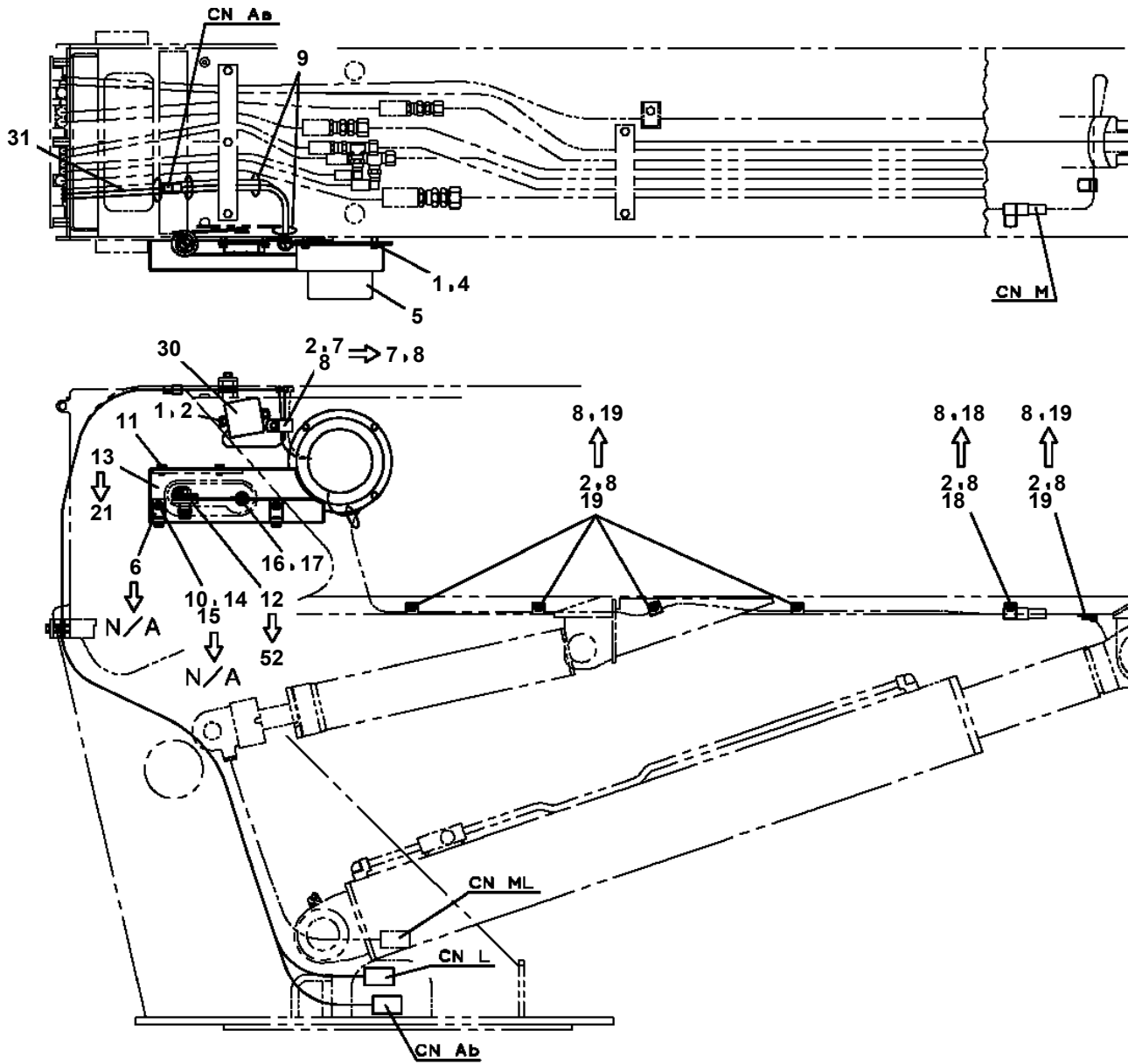
AT-147-3 43010100032 UPPER

Pos No.	Parts No	Parts Name	Qty	Unit	Technical Data	Serial No (Start)	Serial No (End)	Remarks	Pages
1	42267273100	COVER	1						
2	42267273200	COVER	1						
3	42267273300	COVER	1						
4	42267273400	COVER	1						
5	90183108015	BOLT	15		M8X15		590430		
	90183108015	BOLT	14		M8X15	590431			
8	37000565980	PLATE	8						
9	42310995600	PLATE	5						
10	37000585820	PLATE	2						
12	90183108030	BOLT	5		M8X30				
13	37000576600	PLATE	1		T=8.0				
14	90183108020	BOLT	4		M8X20		590430		
	90183108020	BOLT	5		M8X20	590431			
15	37000517000	PLATE	2			590474			

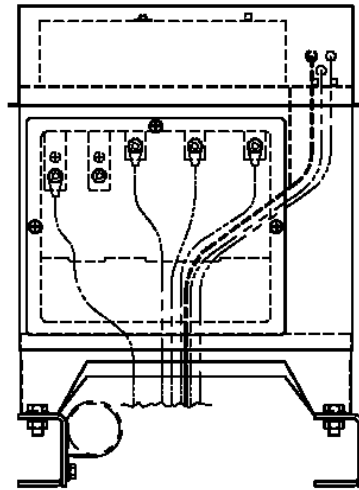
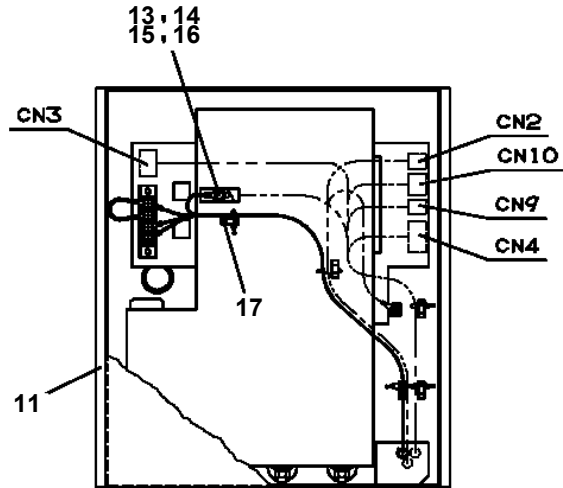
AT-147-3 43010100032 UPPER
PM5210007-01 MOTOR ASSY,OIL



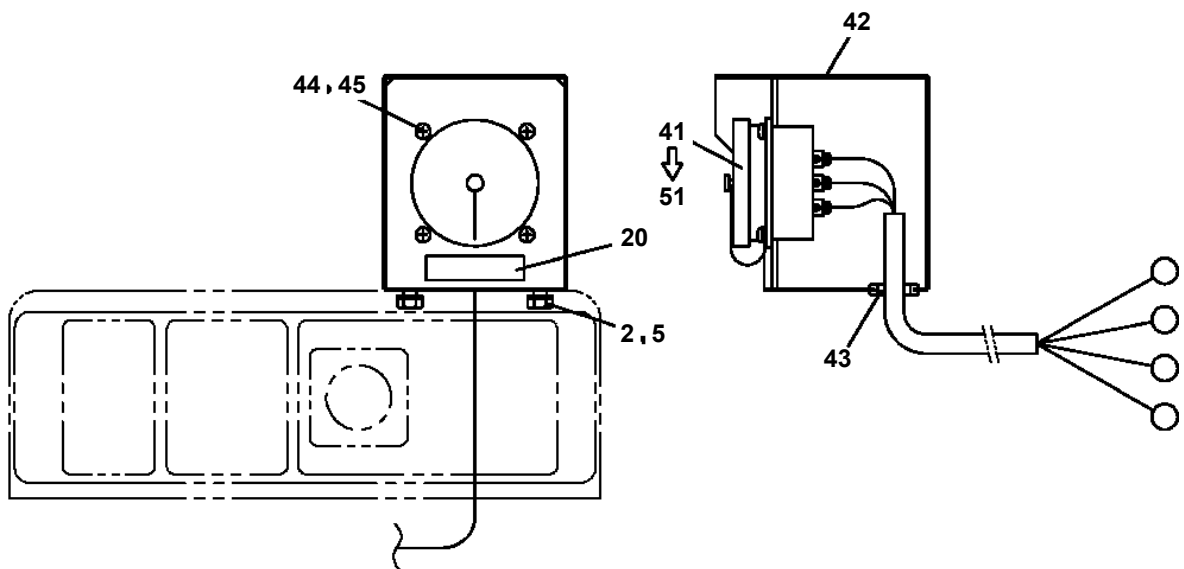
**AT-147-3 43010100032 UPPER
PN1014441-05 ELEC.ASSY (BOOM)**



AT-147-3 43010100032 UPPER
PN1014452-01 ELEC.ASSY (CHARGER:200V)

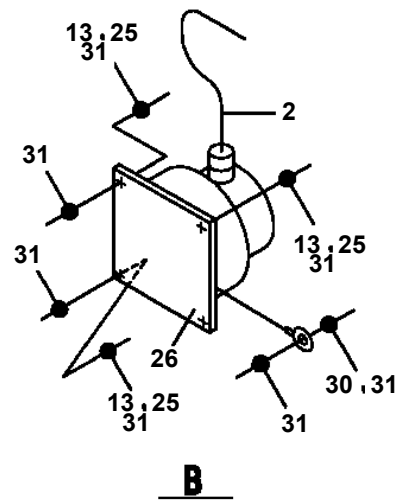
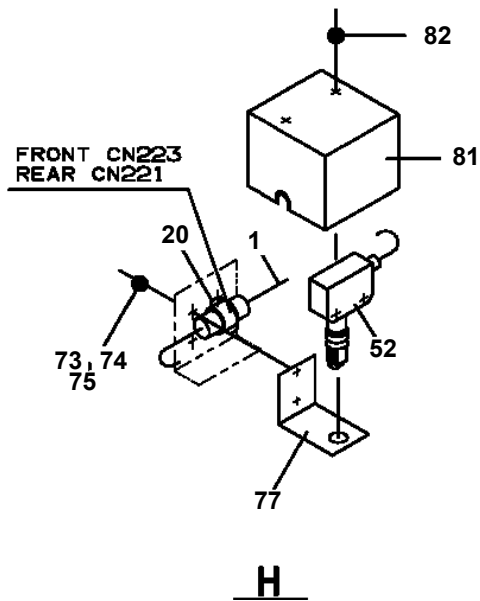
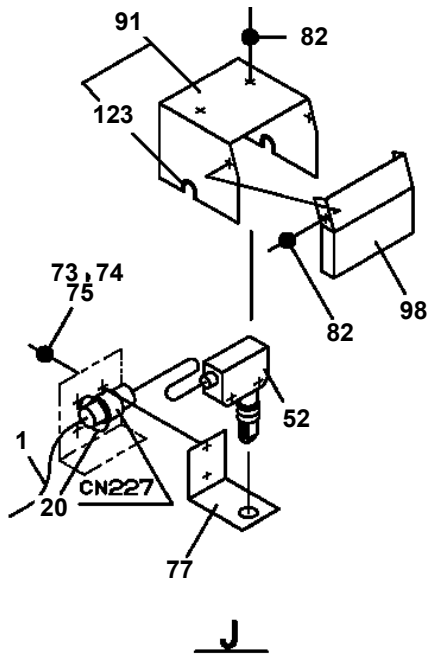


B

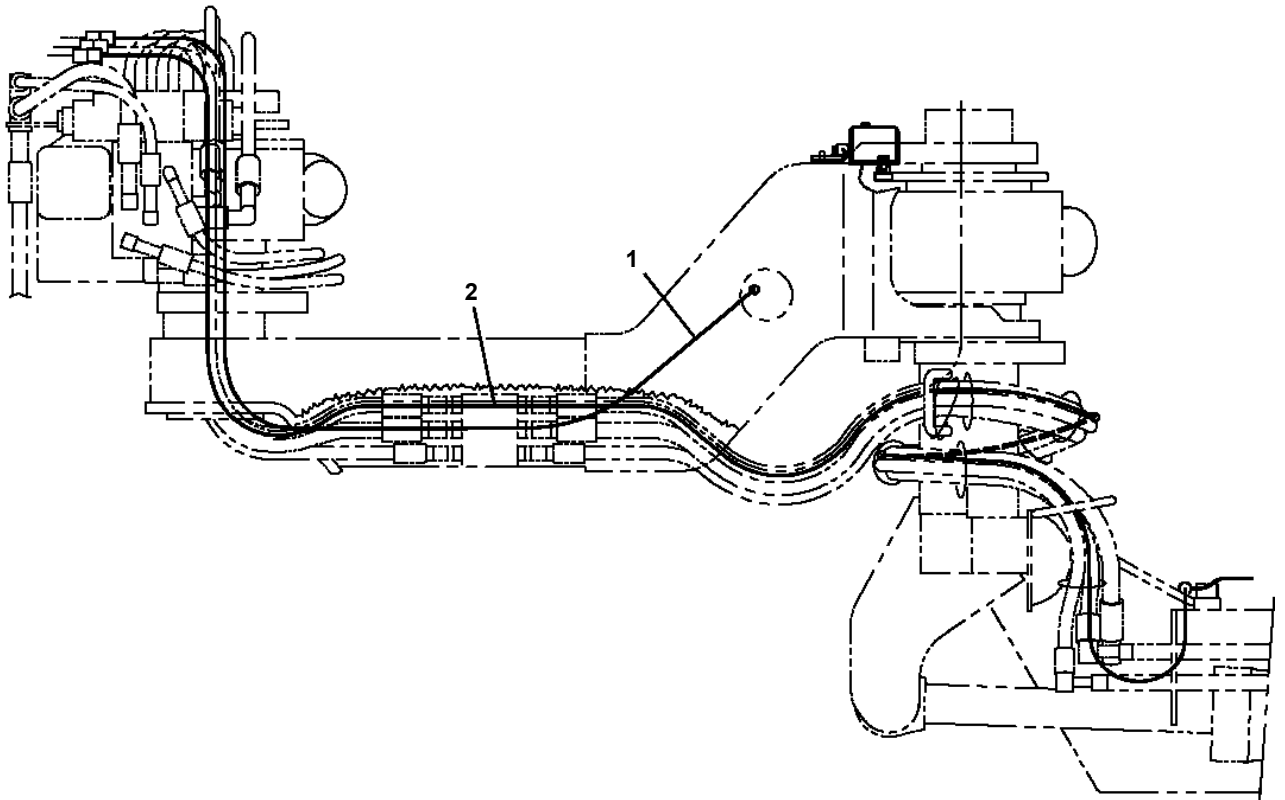
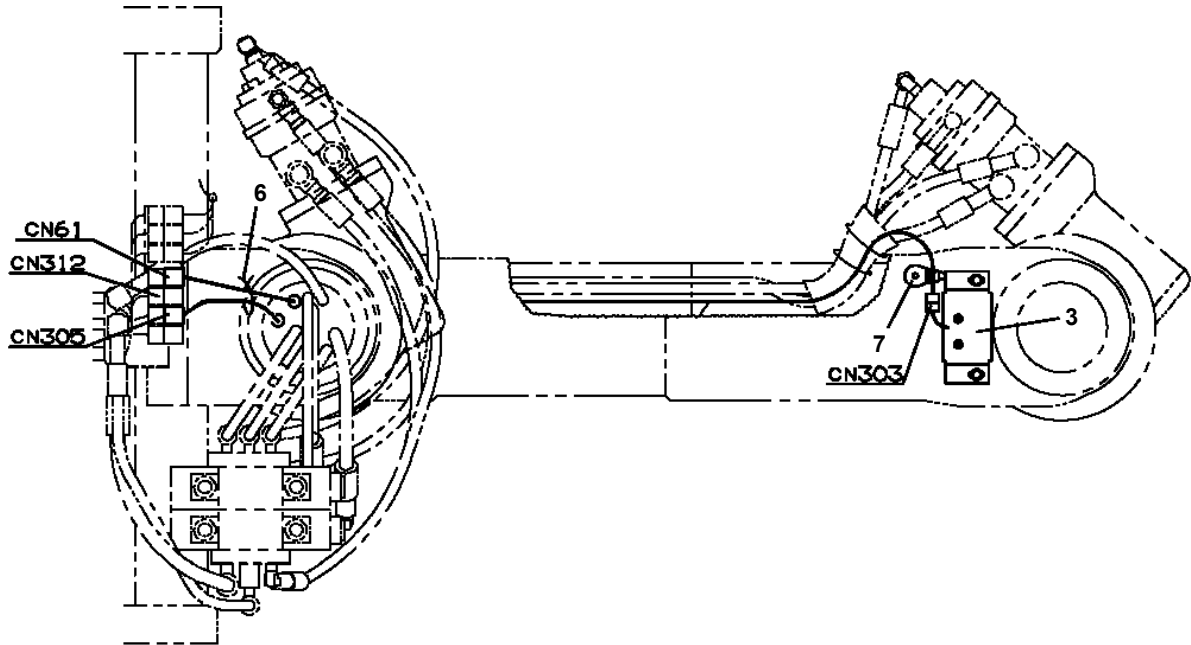


A

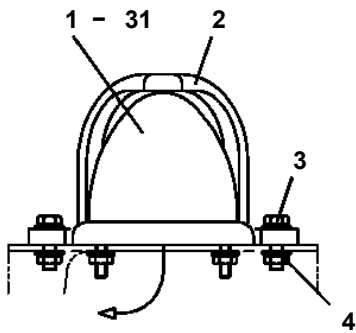
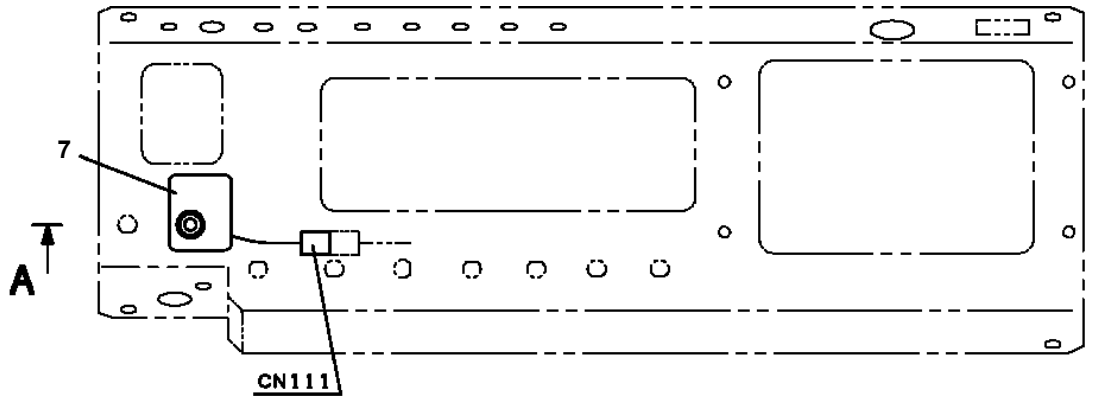
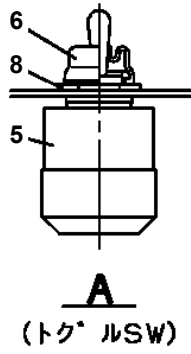
**AT-147-3 43010100032 UPPER
PN1014486-02 ELEC.ASSY (FRAME)**



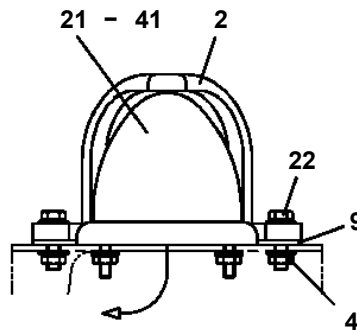
**AT-147-3 43010100032 UPPER
PN1015023-00 ELEC.ASSY (ARM)**



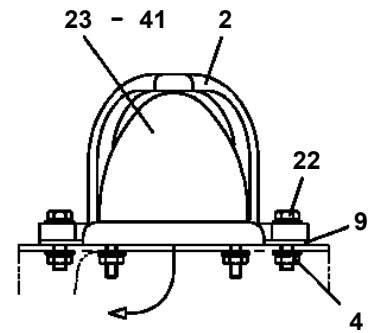
**AT-147-3 43010100032 UPPER
PN1080392-03 LAMP (MARKER)**



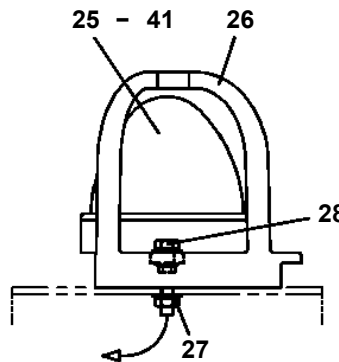
AT-146-3: ~#228054
AT-147-3: ~#590281



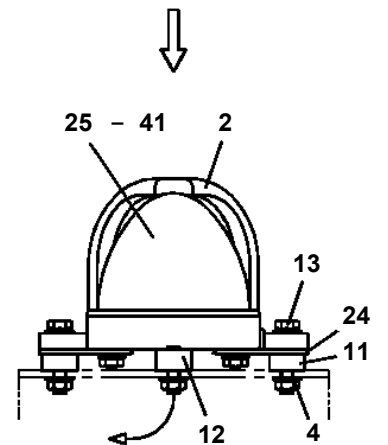
AT-146-3: #228055~#228075
#228077~#228079



AT-146-3: #228081~#228098
#228100~#228101
#228103~#228107
#228109, #228110
AT-147-3: #590283, #590284



AT-146-3: #228454, #228455
#228464, #228466
#228468~
AT-147-3: #590376~

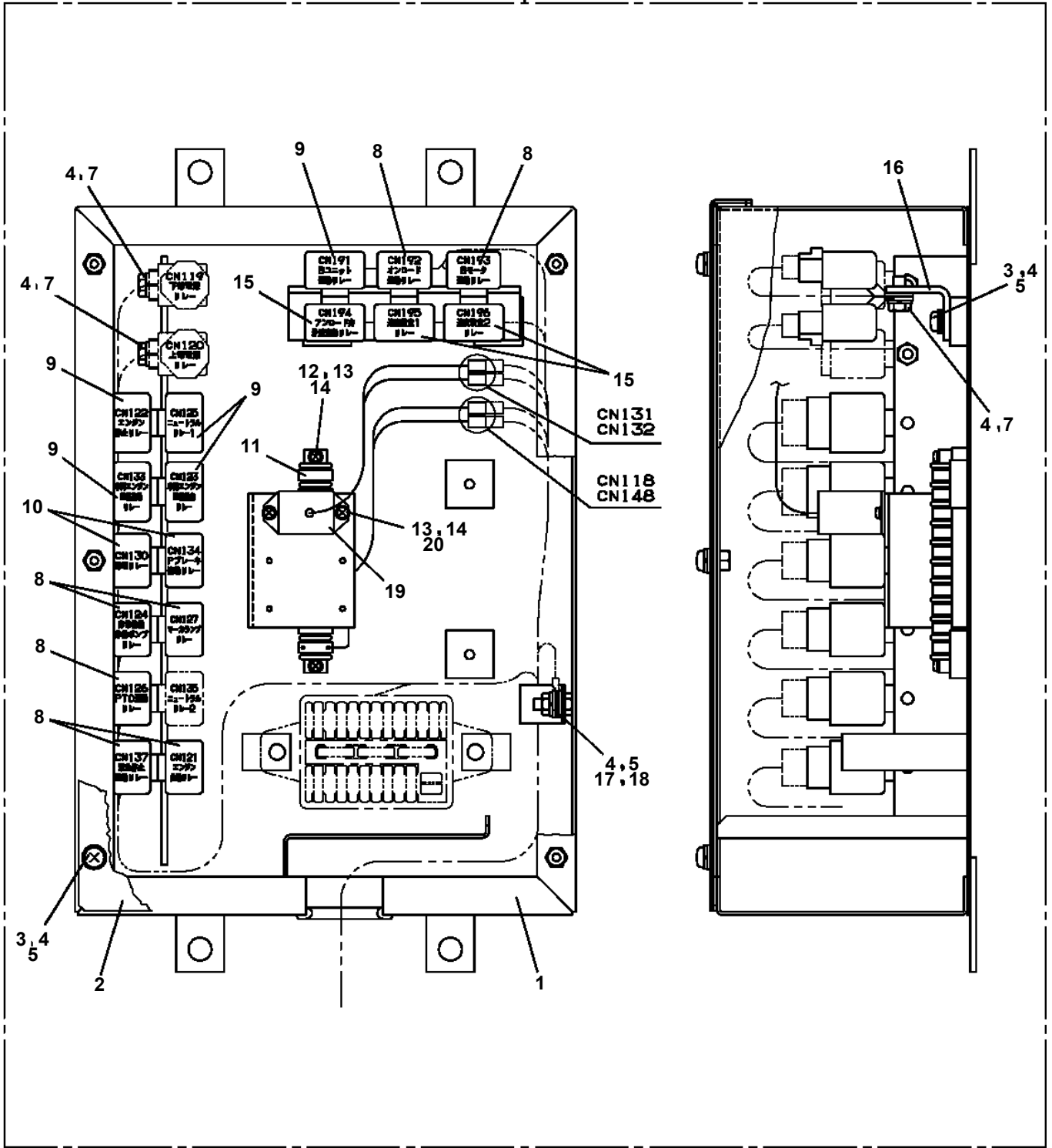


AT-146-3: #228076, #228080
#228099, #228102
#228108,
#228111~#228453
#228456~#228463
#228465, #228467
AT-147-3: #590285~#590375

アウトリガジャッキ上部

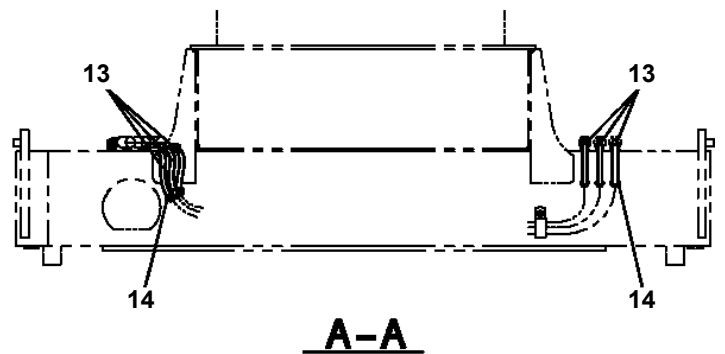
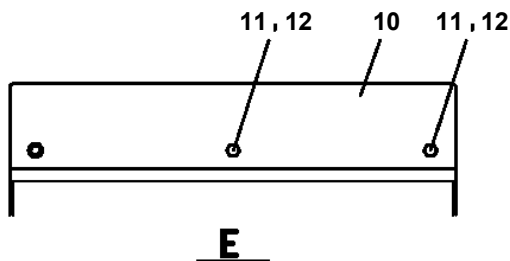
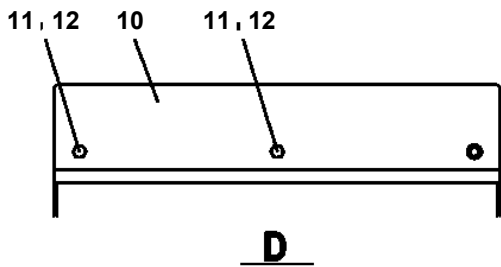
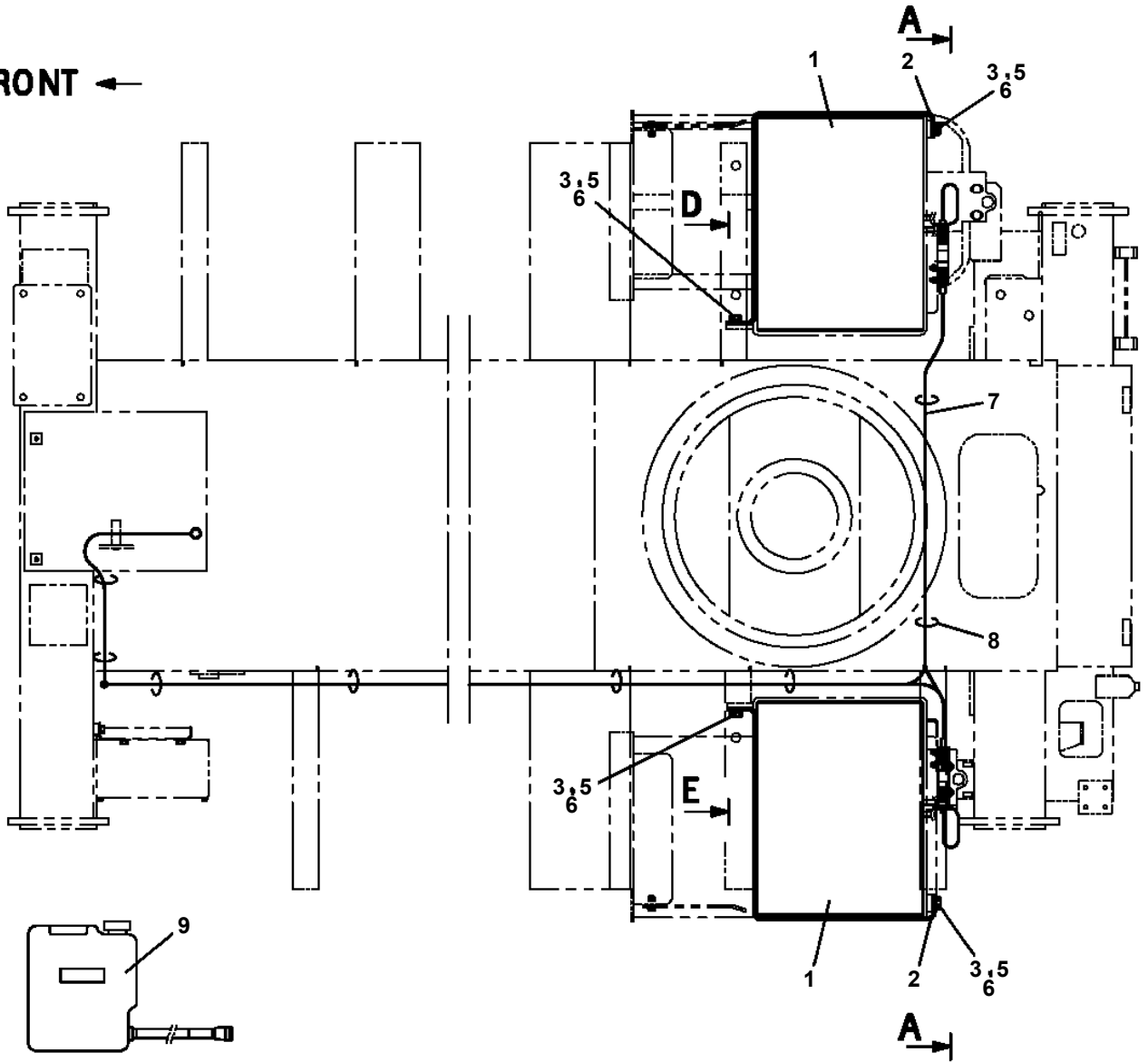
**AT-147-3 43010100032 UPPER
PN1100051-00 RELAY BOX**

100

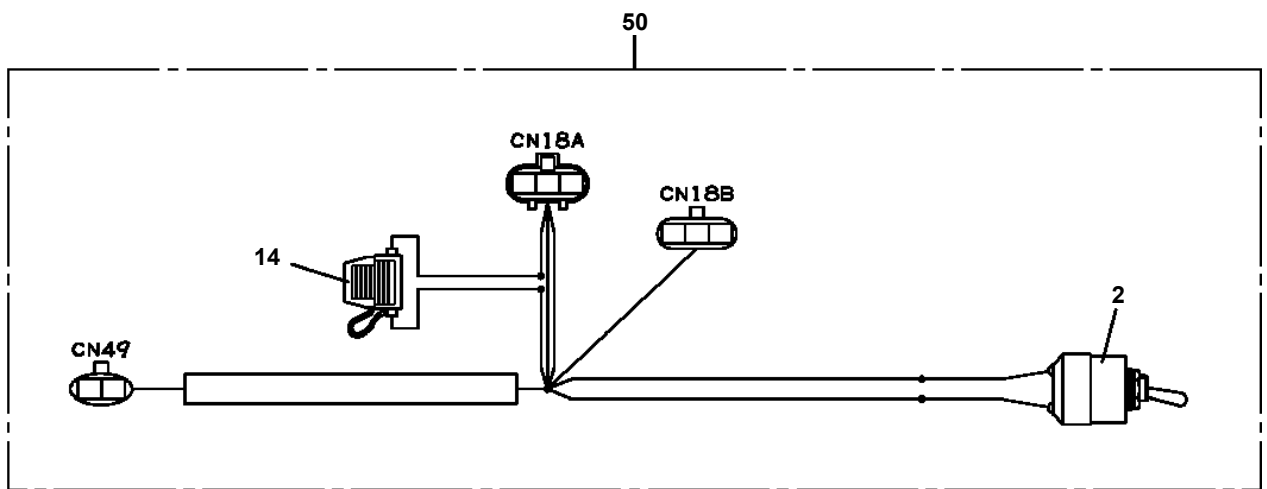


AT-147-3 43010100032 UPPER
PN1370147-01 BATTERY (MOUNT/MOTOR UNIT)

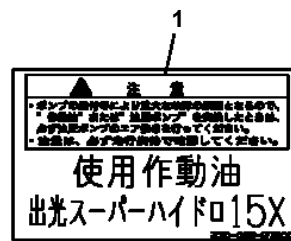
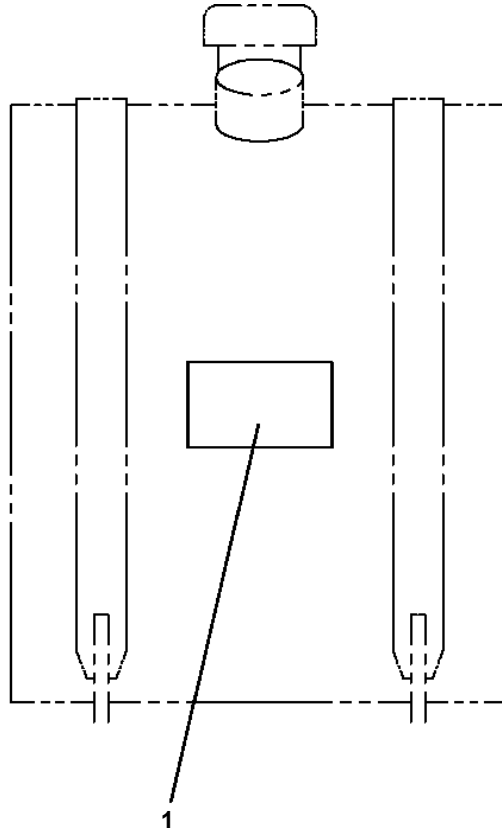
FRONT ←



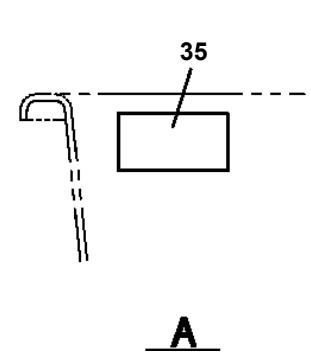
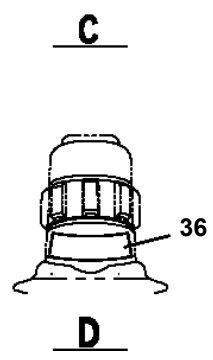
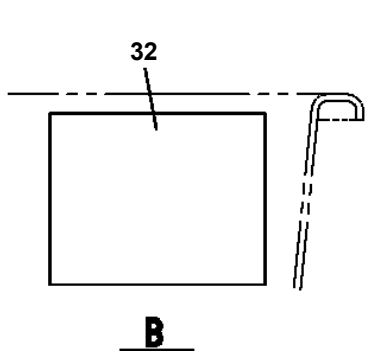
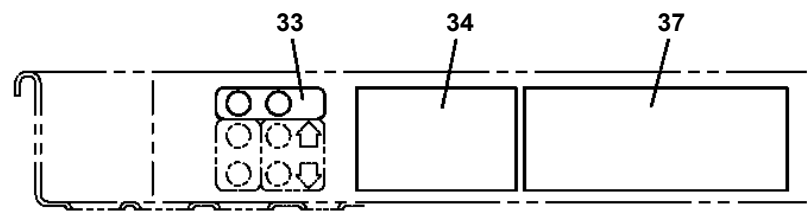
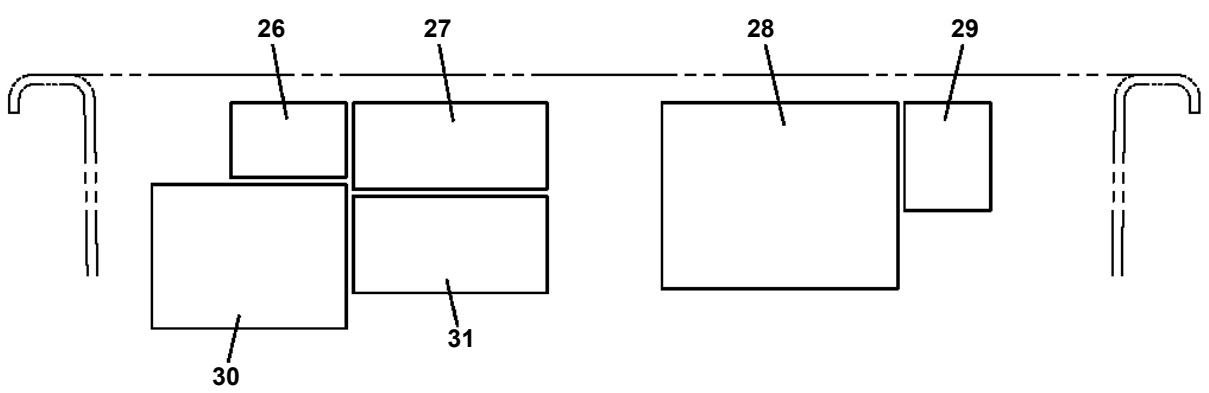
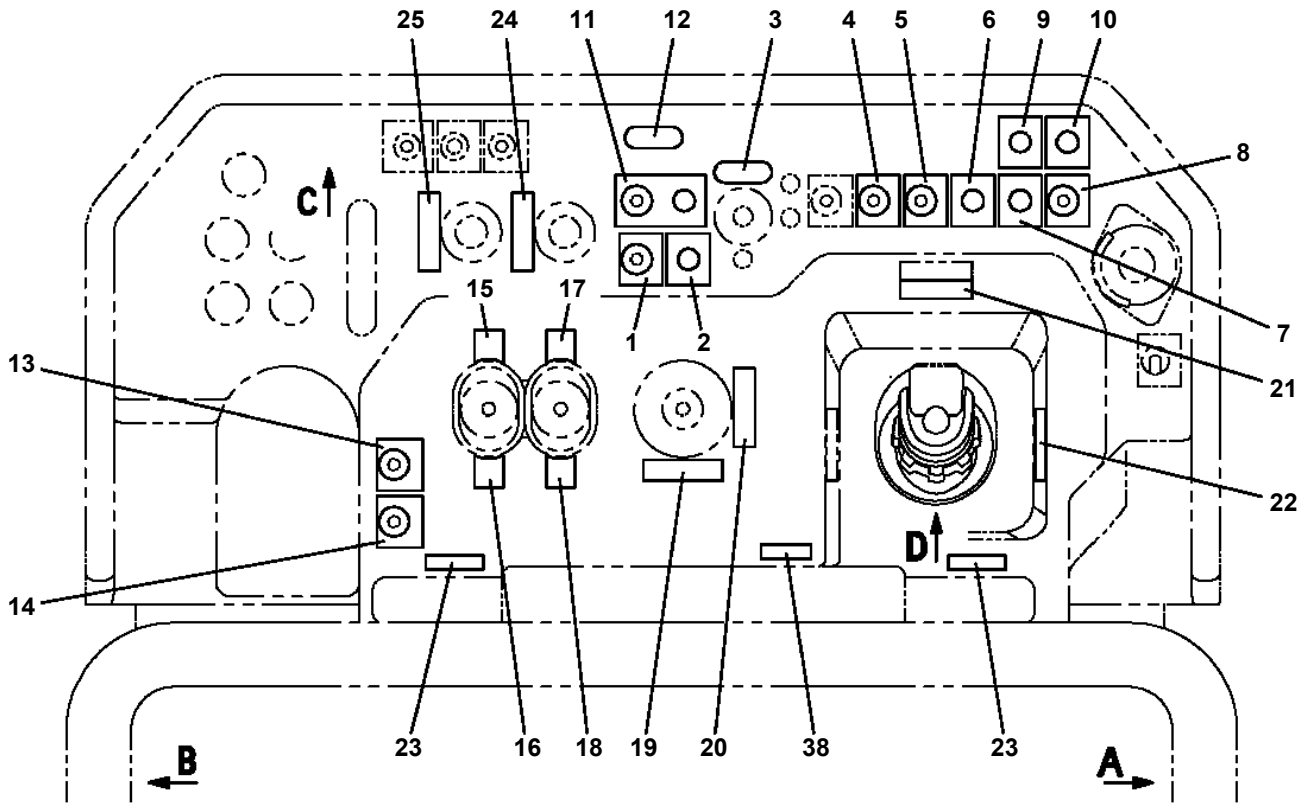
AT-147-3 43010100032 UPPER
PN1450161-01 HARNESS



AT-147-3 43010100032 UPPER
PO1014931-01 PLATE ASSY,NAME (HYDRAULIC OIL)



**AT-147-3 43010100032 UPPER
PO1015322-01 PLATE ASSY,NAME (BUCKET)**



AT-147-3 43010100032 UPPER

Pos No.	Parts No	Parts Name	Qty	Unit	Technical Data	Serial No (Start)	Serial No (End)
1	(*****)	PLATE,NAME (LIVE-LINE WORKING DEVICE)	1				

AT-147-3 43010100032 UPPER

Pos No.	Parts No	Parts Name	Qty	Unit	Technical Data	Serial No (Start)	Serial No (End)	Remarks	Pa
2	42470721010	JOINT	2				590453		
	37000933940	JOINT	2			590454			
3	42470721301	PRUNER	1						
4	80456020410	JOINT,SELF SEALING	1						
5	80456010410	JOINT,SELF SEALING	1						
6	42470721200	HOSE ASSY	1						
7	42470721100	COVER	1						
8	91000590800	O-RING	2		AS568-908	590454			
21	42470727530	CAP (DUST)	1						
24	42470727540	CAP (DUST)	1						
26	42470727520	CAP (DUST)	1						
27	42470727510	CAP (DUST)	1						
51	42340017540	CAP	1						
61	42340017530	CAP	1						

AT-147-3 43010100032 UPPER

Pos No.	Parts No	Parts Name	Qty	Unit	Technical Data	Serial No (Start)	Serial No (End)	Remarks
1	37002465910	HOSE	1		L=580			
2	91002801800	O-RING	2		1B P18			
3	80481304024	JOINT	2					
4	37012400750	HOSE	1		L=1050			
5	37002475170	HOSE	1		L=950			
6	37002415360	HOSE	1		L=760			
7	37002415370	HOSE	1		L=660			
8	80430620400	JOINT	1					
9	80481302020	JOINT	1		G1/4-G1/4			
10	80481302025	JOINT	1		L,G1/4-G1/4			
11	91002801100	O-RING	2		1B P11			
12	37002467720	HOSE	1		L=420			
14	80320010075	FITTING	1		KUD12-020N			
15	81408000160	PIPE,STEEL	1	M	12X1.4T			
16	90101208020	BOLT	3		M8X20			
17	90302040801	WASHER,SPRING	3		8			
18	37002415380	HOSE	1		L=460			
31	91002801100	O-RING	12		1B P11			
41	42342842000	VALVE ASSY,SOLENOID	2					
42	90172106040	BOLT,HEXAGON SOCKET	8		M6X40			
43	80471020502	JOINT	7					
44	80400160127	JOINT	1					
45	37000925690	JOINT	1					
46	42312284110	FITTING,FLANGE	1					
47	37000928830	JOINT	1					
48	80316090020	PLUG	7		KKT PT1/8			
49	42342460320	ORIFICE	4		1.0			
50	36741770000	VALVE,SOLENOID	2					
52	90172105050	BOLT,HEXAGON SOCKET	8		M5X50			
53	80303130141	FITTING,ELBOW	1		KLO12-020E			

AT-147-3 43010100032 UPPER

Pos No.	Parts No	Parts Name	Qty	Unit	Technical Data	Serial No (Start)	Serial No (End)	Remarks
5	82182819823	DIODE	1		1.5A			
9	34354781710	RELAY (WITH BRACKET)	1					
100	34354781730	RELAY	1					

AT-147-3 43010100032 UPPER

Pos No.	Parts No	Parts Name	Qty	Unit	Technical Data	Serial No (Start)	Serial No (End)	Remarks	Pages
1	42443243100	SUPPORT	1						
2	42443243200	SUPPORT	1						
3	82466154603	CATCH	1						
4	80175803006	SCREW,MACHINE	3		M3X6				
5	42698150300	INSULATOR	3						
6	80172804010	SCREW,MACHINE	3		M4X10				
7	90302510401	WASHER,SPRING	8		4				
8	90303520401	WASHER,PLAIN	4		4				
9	82400000393	INSULATOR	1						
10	80172804014	SCREW,MACHINE	1		M4X14				
11	82464107812	HINGE	1						
12	80172804008	SCREW,MACHINE	4		M4X8				
13	80175804006	SCREW,MACHINE	2		M4X6				
14	42875640010	PLATE	2		T=0.5	590456			
100	42443243002	SUPPORT ASSY	1						

AT-147-3 43010100032 UPPER

Pos No.	Parts No	Parts Name	Qty	Unit	Technical Data	Serial No (Start)	S
1	42973990100	SUPPORT (7 DEGREES ANGLE METER MOUNTING)	1				

AT-147-3 43010100032 UPPER

Pos No.	Parts No	Parts Name	Qty	Unit	Technical Data	Se
1	42470980100	SWITCH,PUSH	1			
2	82100002220	CABLE	3	M		
3	82100002173	CONNECTOR	1			
10	42470983000	SWITCH BOX (ELECTRIC BOOSTER, 3M,NANABOSI,SINKOU DENKI)	1			

AT-147-3 43010100032 UPPER

Pos No.	Parts No	Parts Name	Qty	Unit	Technical Data	Serial No (Start)	Serial No (End)	Remarks	Page
5	91002902500	O-RING	4		1B G25				
8	80316090020	PLUG	4		KKT PT1/8				
9	36606975020	PLUG	1						
10	91002801400	O-RING	1		1B P14				
12	16066241000	SPRING	1						
22	36606985020	RELIEF ASSY	1						
100	36606980000	VALVE ASSY,RELIEF	1						

AT-147-3 43010100032 UPPER

Pos No.	Parts No	Parts Name	Qty	Unit	Technical Data	Serial No (Start)	Serial No (End)
1	42460821100	BLOCK,RUBBER (WAZUMI)	4				5904
	42460821200	BLOCK,RUBBER (NAKAMURA)	4				
2	42460012530	WEDGE (STOPPER FOR TIRE/WAZUMI)	4				5904
	42460012540	WEDGE (STOPPER FOR TIRE/NAKAMURA KIKI)	4				5904
	42460012550	WEDGE (STOPPER FOR TIRE/JUSTIN)	4			590427	

AT-147-3 43010100032 UPPER

Pos No.	Parts No	Parts Name	Qty	Unit	Technical Data	Serial No (Start)	Serial No (End)
1	42460012530	WEDGE (STOPPER FOR TIRE/WAZUMI)	1				

AT-147-3 43010100032 UPPER

Pos No.	Parts No	Parts Name	Qty	Unit	Technical Data	Serial No (Start)	Serial No (End)	Remarks
1	42775691003	GUARD,SIDE	1					
2	42775921001	GUARD,SIDE	1					
4	42775690600	SUPPORT	1					
5	90171112040	BOLT	4		M12X40			
6	90302041201	WASHER,SPRING	4		12			
7	37000579050	PLATE	4				590396	
	90303501201	WASHER,PLAIN	4		12	590397	590399	
	37000586760	WASHER,PLAIN	4		12	590400		
8	90171110030	BOLT	6		M10X30			
9	90201781000	NUT	8		M10			
10	90302041001	WASHER,SPRING	8		10			
11	90303071001	WASHER,PLAIN	12		10			
14	90101208012	BOLT	3		M8X12			
15	90302040801	WASHER,SPRING	3		8			
16	90303070801	WASHER,PLAIN	1		8			
17	42775710300	SUPPORT	2					
18	90172110020	BOLT,HEXAGON SOCKET	2		M10X20			
19	90201200800	NUT	4		M8			
20	37000520150	PLATE	6					
22	42775690401	SUPPORT	1					
23	90101208025	BOLT	3		M8X25			

AT-147-3 43010100032 UPPER

Pos No.	Parts No	Parts Name	Qty	Unit	Technical Data	Serial No (Start)	S
1	42738221000	WOOD BLOCK (KANSAI DENRYOKU/DETACHABLE)	1				

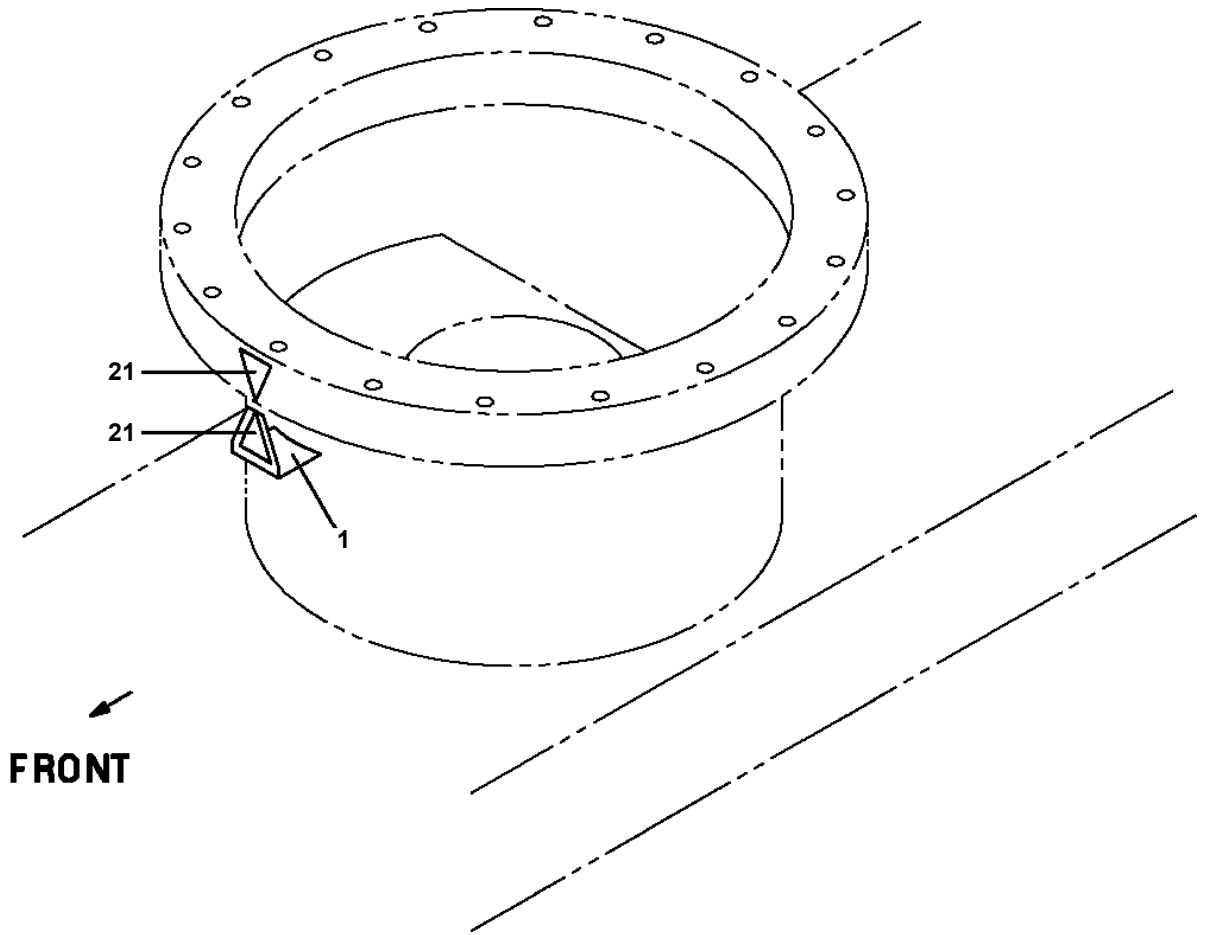
AT-147-3 43010100032 UPPER

Pos No.	Parts No	Parts Name	Qty	Unit	Technical Data
1	42971852000	BLOCK,WOOD (LEFT REAR:KANSAI DENRYOKU/DETACHABLE TYPE)	1		
2	42738221000	WOOD BLOCK (KANSAI DENRYOKU/DETACHABLE)	3		

AT-147-3 43010100032 UPPER

Pos No.	Parts No	Parts Name	Qty	Unit	Technical Data	Serial No (Start)	Serial No (End)
2	42835807510	DOOR	1				
3	42835797680	COVER	1				
5	42835807520	SEAT	1				
7	42835797550	SEAL	4				
8	42831877540	INSULATOR	2				
9	42835107600	WEATHER STRIP	1		L=2520		
10	42835357590	CATCH	1				
12	42835797710	LATCH (RING)	1				
13	42835797580	PLUG (HOLE)	4				
14	42833077610	BUSH	4				
15	42834457590	SCREW,MACHINE (SEMS)	2		M4X12		
16	42835837600	SCREW,MACHINE	4		M5X12		
17	42835797720	SCREW,MACHINE (WITH W,SW,NUT)	4		M4X10		
18	42835487650	HINGE	2				
19	80175805012	SCREW,MACHINE	6		M5X12		
20	42835797730	TRIM	1		380MM		
21	42836317920	PLATE	2			590400	
22	42836037550	WASHER,TOOTH	2		M10	590400	
23	42835807530	PACKING	2			590400	
100	42835801000	BOX,TOOL	1				

**AT-147-3 43010100032 UPPER
PX1360109-00 REFLECTOR (SWING ALIGNMENT MARK/FRONT)**



AT-147-3 43010100032 UPPER

Pos No.	Parts No	Parts Name	Qty	Unit	Technical Data	Serial No (Start)	Serial No (End)	Remarks
1	42422691000	INVERTER (ASSY ONLY)	1				590423	
	42422691001	INVERTER (ASSY ONLY)	1			590424		
2	90101210020	BOLT	4		M10X20			
3	90302041001	WASHER,SPRING	8		10			
4	90303071001	WASHER,PLAIN	8		10			
5	42422723100	SUPPORT	1				590462	
	42422723101	SUPPORT	1			590463		
6	90101210025	BOLT	4		M10X25			
7	90201201000	NUT	4		M10			
8	42422723200	SUPPORT	1				590462	
	42422723201	SUPPORT	1			590463		
10	91810132530	FASTENER	20					
11	90101208020	BOLT	2		M8X20			
12	90302040801	WASHER,SPRING	2		8			
31	42422723400	HARNESS	1					
32	42421345650	SUPPORT	1					
33	82400000219	GROMMET	1					
34	80172305010	SCREW,MACHINE	4		M5X10		590490	
	80172305012	SCREW,MACHINE	4		M5X12	590491		
35	90302040501	WASHER,SPRING	4		5			

AT-147-3 4301010032 UPPER

Pos No.	Parts No	Parts Name	Qty	Unit	Technical Data	Serial No (Start)	Serial No (End)	Remarks	Pa
1	42839581100	SUPPORT	1						
2	42835804001	SUPPORT	1						
3	42839152000	SUPPORT	1						
4	42835806000	SUPPORT	1						
5	42839150100	SUPPORT	4						
6	90186208020	BOLT,FLANGE	2		M8X20				
7	90280200800	NUT,FLANGE	12		M8				
8	37000547660	PLATE	20		T=2.3				
9	90186208016	BOLT,FLANGE	6		M8X16				
10	42696070100	SUPPORT	2						
11	42835802010	SUPPORT	1						
12	82400000345	CHAIN (QTY=L)	1	M					
13	90186206016	BOLT,FLANGE	1		M6X16				
14	90101208020	BOLT	4		M8X20				
15	90302040801	WASHER,SPRING	4		8				
16	90201200800	NUT	6		M8				
17	90303070801	WASHER,PLAIN	8		8				
18	82464180301	HINGE	2						
19	90190208016	BOLT	10		M8X16				
20	42835802020	PLATE	2						
21	82400000393	INSULATOR	2						
22	80172804020	SCREW,MACHINE	2		M4X20				
23	90201500400	NUT	2		M4				
24	90302510401	WASHER,SPRING	2		4				
25	37000558280	PLATE	2						
26	90302510801	WASHER,SPRING (8)	10						
27	37000526930	PLATE	8						
28	90280200600	NUT,FLANGE	1		M6				
29	90101210020	BOLT	2		M10X20				
30	90302041001	WASHER,SPRING	7		10				
31	82464188210	HOOK	5						
32	90190206012	BOLT	10		M6X12				
33	90302510601	WASHER,SPRING (6)	10						
34	42836631100	GUARD,SIDE	1						
35	90186210025	BOLT,FLANGE	2		M10X25				
36	90280201000	NUT,FLANGE	2		M10				
37	42775690301	SUPPORT	1						
38	37000520150	PLATE	2						
39	90101208025	BOLT	1		M8X25				
40	90186210014	BOLT,FLANGE	2		M10X14				
41	90240201000	NUT,CAP	2		M10				
42	90303070401	WASHER,PLAIN	2		4				
62	82466186102	CATCH	2						
81	42835801000	BOX,TOOL	1						
82	90101210025	BOLT	5		M10X25				
84	37000505950	PLATE	5		T=3.2				
85	82400000528	GROMMET	4						
86	37000581940	PLATE	N		T=0.5				

000

AT-147-3 43010100032 UPPER

Pos No.	Parts No	Parts Name	Qty	Unit	Technical Data	Se
60	(*****)	MOUNT,LAMP (BUCKET,FOR NTT,OPTION)	1			
61	(*****)	PUMP,GREASE (400CC)	1			
62	42473401000	TOOLS	1			
63	91991601013	ACCESSORIES (WRENCH)	1			
64	42461681000	WEDGE (YELLOW)	1			
65	42738400000	WOOD BLOCK (WITH RUBBER,T=100)	1			
	42731680000	WOOD BLOCK (WITH RUBBER,T=80)	1			
	(*****)	WOOD BLOCK (W=350,H=80)	1			
66	42972410000	BLOCK,WOOD	1		T=150	59
68	(*****)	WOOD BLOCK (KANDEN/DETACHABLE TYPE,L)	1			
	42972040000	WOOD BLOCK (KANDEN/DETACHABLE TYPE,B)	1			
69	(*****)	EARTHING DEVICE	1			
70	(*****)	CABLE	1			
71	(*****)	WINCH,JIB (FRP/INTEGRATED SUPPORT,GRAY)	1			
72	42501710000	BOX,TOOL	1			
73	(*****)	STEP (FOR ENTRY INTO CAB)	1			
74	(*****)	LAMP (REOVLVING LAMP)	1			
75	(*****)	EARTH ASSY	1			
	(*****)	EARTH ASSY (FOR LOCAL MOUNTING)	1			59
76	42505360000	COVER (RACK,L)	1			
	42505350000	COVER (RACK,B)	1			
87	42508320000	COVER ASSY (BACKET CONTROL)	1			
89	(*****)	ARM	1			59
92	(*****)	BATTERY ASSY (12V28AH/PANASONIC)	1			
	(*****)	BATTERY ASSY (12V20AH/PANASONIC)	1			
95	42510290000	CABLE ASSY (PC CONNECTION CABLE)	1			
96	(*****)	ACCESSORIES (BUCKET INNER MAT)	1			59
97	42460012550	WEDGE (STOPPER FOR TIRE/JUSTIN)	1			59
98	42460821200	BLOCK,RUBBER (NAKAMURA)	1			59
99	(*****)	ARM ASSY	1			59
102	42973990100	SUPPORT (7 DEGREES ANGLE METER MOUNTING)	1			59
103	(*****)	JIB ASSY	1			

AT-147-3 43010100032 UPPER

Pos No.	Parts No	Parts Name	Qty	Unit	Technical Data	Serial No (Start)	Serial No (End)
1	42470367510	HOOK	1				
2	42470367520	CYLINDER	1				
3	42470367530	HOLDER (DIES)	1				
4	42470367540	STEM	1				
5	42470367550	SPRING (RETURN)	1				
6	42470367560	SEAT,SPRING	1				
7	42470367570	RING,STOP	1				
8	80720103006	PIN,SPRING	1		3X6		
9	91001104000	O-RING	1		1A P40		
10	42470367580	RING (B)	1				
12	42470367590	NOTCH	1				
13	42470367600	PIECE (B)	1				
14	42470367610	PIN (SCREW)	1				
15	42470367620	SPRING ASSY	1				
16	42470367630	PIECE (AL)	1				
17	42470367640	SPRING	1				
18	42470367650	KNOB	1				
19	80720102012	PIN,SPRING	1		2X12		
20	80720103008	PIN,SPRING	1		3X8		
21	42470367660	GUIDE	1				
22	90131505008	BOLT,HEXAGON SOCKET	1		M5X8		
23	90304110501	WASHER (LOCK)	1		5		
24	42470367670	SCRAPER	1				
25	42470367680	SPACER	1				
26	42470367690	BOLT,HEXAGON SOCKET	1				
27	42470367700	NIPPLE	1				
28	42470367710	JOINT,SELF SEALING (WITH CAP)	1				
29	42470367720	GRIP	1				
30	42470367730	PLATE,NAME	1				
31	42470367740	COVER (SAFETY)	1				
50	42470361000	CLAMP HEAD ASSY (SANWA,12TON)	1				

AT-147-3 43010100032 UPPER

Pos No.	Parts No	Parts Name	Qty	Unit	Technical Data	Serial No (Start)	Serial No (End)	F
1	42470530000	CUTTER HEAD (IZUMI 6.4TON AIR)	1					
2	42470537510	BOLT	2					
3	42470537520	NUT	2		M8			

AT-147-3 43010100032 UPPER

Pos No.	Parts No	Parts Name	Qty	Unit	Technical Data	Serial No (Start)	Serial No (End)	R
1	42470050000	ROPE (SAFETY,1.5M,WITH HOOK)	1					

AT-147-3 43010100032 UPPER

Pos No.	Parts No	Parts Name	Qty	Unit	Technical Data	Serial No (Start)	Serial No (End)	Remarks	Pages
1	42470121000	ARM ASSY	1						
2	42470122000	HOLDER	3						
3	42470123000	CLAMP ASSY	1						
4	42470044000	HOT STICK	1						
5	42476851000	SUPPORT	1						
6	90101216130	BOLT	1		M16X130				
7	90303071601	WASHER,PLAIN	2		16				
8	90201201600	NUT	2		M16				
9	42220011200	SUPPORT	1						
31	42470121100	ARM	1						
32	42470121200	CAP	2						

AT-147-3 43010100032 UPPER

Pos No.	Parts No	Parts Name	Qty	Unit	Technical Data	Serial No (Start)	Serial No (End)	Remarks
1	90101208016	BOLT	4		M8X16			
2	90302040801	WASHER,SPRING	4		8			
4	(*****)	BOOSTER	1					
5	37002459700	HOSE	1		L=1560			
6	37002413250	HOSE	1		L=400			
7	37002489290	HOSE	1		L=410			
8	37000924960	JOINT (WITH O-RING)	1					
9	80430620400	JOINT	2					
10	36033124000	ORIFICE	1					
11	91810130240	FASTENER	1					
12	36640360000	VALVE,SOLENOID	1					
13	90172106040	BOLT,HEXAGON SOCKET	8		M6X40			
14	36640350000	VALVE,SOLENOID	1					
31	91002801100	O-RING	3		1B P11			

AT-147-3 43010100032 UPPER

Pos No.	Parts No	Parts Name	Qty	Unit	Technical Data	Serial No (Start)	Serial No (End)	Remarks	Pa
1	(*****)	BOOSTER	1						00
2	(*****)	ELEC.ASSY (BOOSTOR)	1				590487		00
	(*****)	ELEC.ASSY (BOOSTOR)	1			590488			00
3	(*****)	PIPING,BOOSTER	1						00

AT-147-3 43010100032 UPPER

Pos No.	Parts No	Parts Name	Qty	Unit	Technical Data	Serial No (Start)	Serial No (E
5	80456210600	JOINT,SELF SEALING	1				
6	80456240600	JOINT,SELF SEALING (WITH DUST CAP)	1				
11	42471437520	CAP	1				
30	42471080000	HOSE,BOOSTER (MAIL-FEMALE,3M)	1				

AT-147-3 43010100032 UPPER

Pos No.	Parts No	Parts Name	Qty	Unit	Technical Data	Serial No (Start)	Serial No
1	80456210600	JOINT,SELF SEALING	1				
2	42471807510	HOSE ASSY	1		2M		
3	42470362100	JOINT,SELF SEALING	1				
4	42471807520	HOSE,AIR	1		2M		
5	42470362200	PUMP	1				
6	80456240600	JOINT,SELF SEALING (WITH DUST CAP)	1				
7	42470367840	TUBE	2		25X0.15M		
8	42470367780	JOINT	1				
21	42471437520	CAP	1				
50	42471800000	HOSE,BOOSTER (WITH AIR BALLOON,2M)	1				

AT-147-3 43010100032 UPPER

Pos No.	Parts No	Parts Name	Qty	Unit	Technical Data	Serial No (Start)	Serial No (End)	Remarks	Pages
1	42470282000	LINK	1						
2	42470281000	JIB	1						
3	90101512045	BOLT	1		M12X45				
4	90201401200	NUT	1		M12				
5	90302041201	WASHER,SPRING	1		12				
6	90101216130	BOLT	1		M16X130				
7	90201201600	NUT	1		M16				
8	90303071601	WASHER,PLAIN	1		16				

AT-147-3 43010100032 UPPER

Pos No.	Parts No	Parts Name	Qty	Unit	Technical Data	Serial No (Start)	Serial No (End)	Remarks
1	42472650000	HANGER (FOR BUCKET)	1					

AT-147-3 43010100032 UPPER

Pos No.	Parts No	Parts Name	Qty	Unit	Technical Data	Serial No (Start)	Serial No (End)	Rem
1	42460821200	BLOCK,RUBBER (NAKAMURA)	1					
	42460821200	BLOCK,RUBBER (NAKAMURA)	1					

CLICK HERE TO **DOWNLOAD** THE COMPLETE MANUAL

- Thank you very much for reading the preview of the manual.
- You can download the complete manual from: www.heydownloads.com by clicking the link below



- Please note: If there is no response to CLICKING the link, please download this PDF first and then click on it.

CLICK HERE TO **DOWNLOAD** THE COMPLETE MANUAL