

AT-147-2 42096230500 LOWER,HINO BDG-XZU354E-TKMSD6

PO1000171-00 INDICATION PLATES

PX2001255-00 CARRIER UNIT

ASSEMBLY

CLICK HERE TO **DOWNLOAD** THE COMPLETE MANUAL

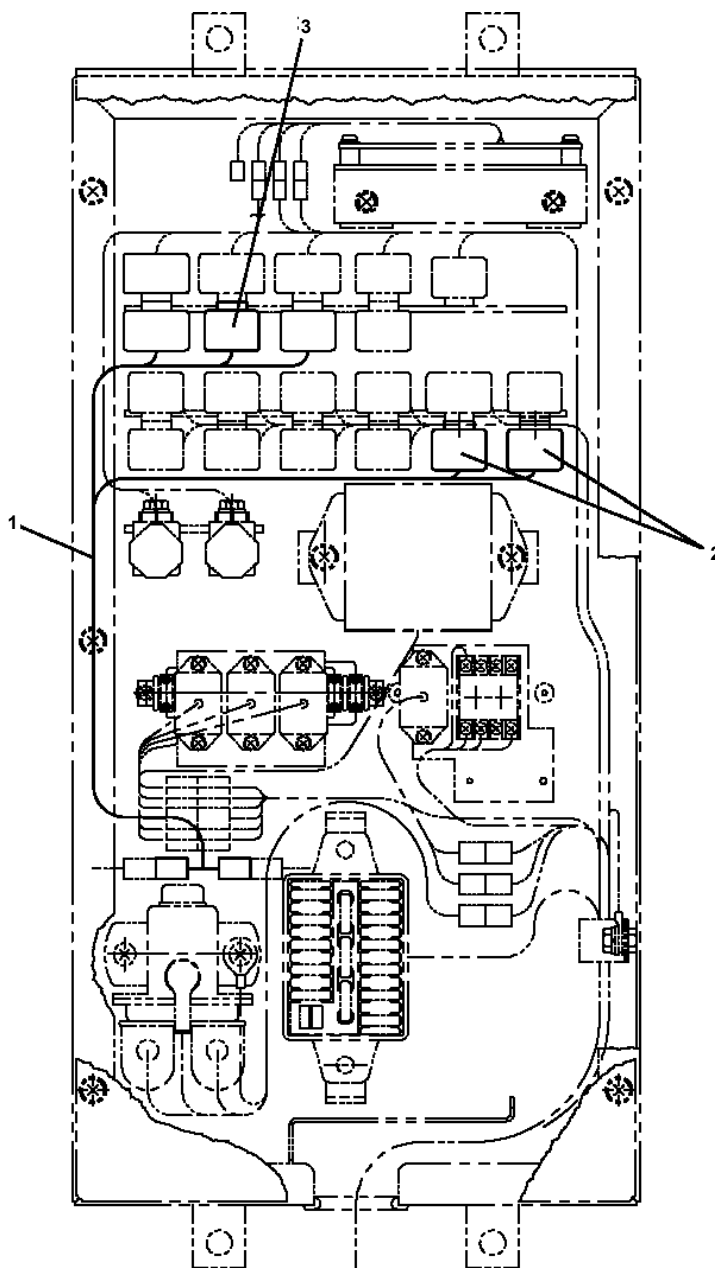
- Thank you very much for reading the preview of the manual.
- You can download the complete manual from: www.heydownloads.com by clicking the link below



- Please note: If there is no response to CLICKING the link, please download this PDF first and then click on it.

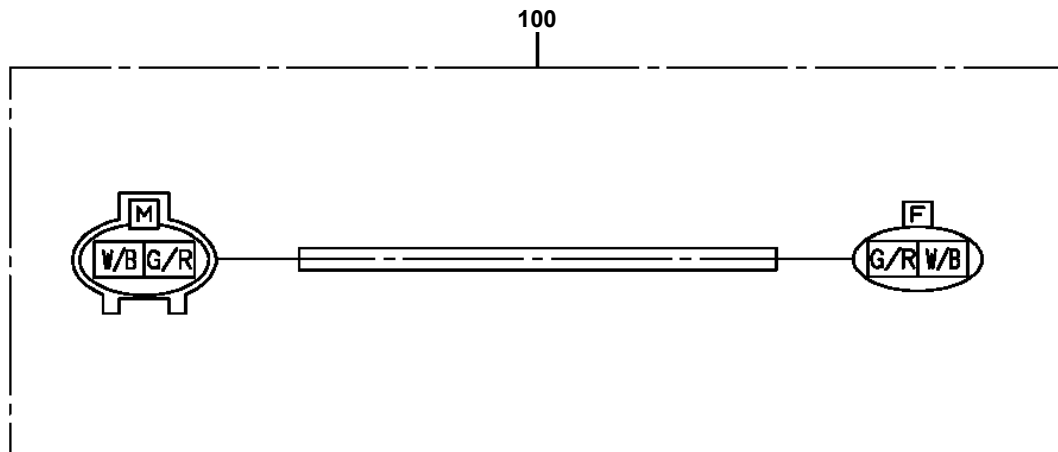
CLICK HERE TO **DOWNLOAD** THE COMPLETE MANUAL

AT-147-2 42096230500 LOWER,HINO BDG-XZU354E-TKMSD6
PB1380164-00 POWER SUPPLY (ENGINE/WIRING,MODIFI.)

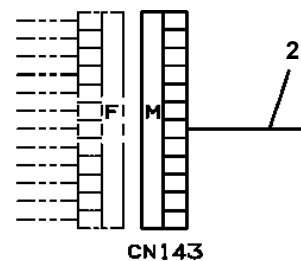
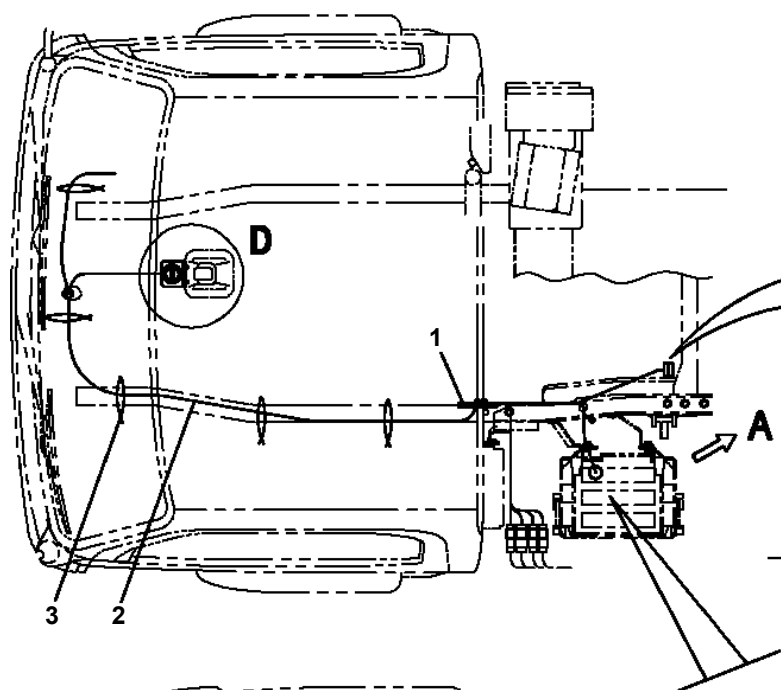


リレーボックス

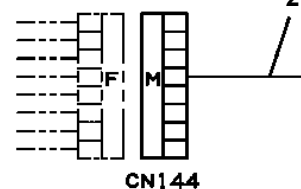
AT-147-2 42096230500 LOWER,HINO BDG-XZU354E-TKMSD6
PH5034401-00 HARNESS



**AT-147-2 42096230500 LOWER,HINO BDG-XZU354E-TKMSD6
PN1013776-01 ELEC.ASSY (CARRIER)**

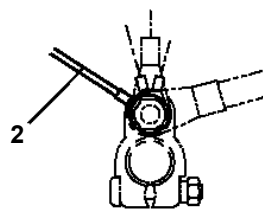
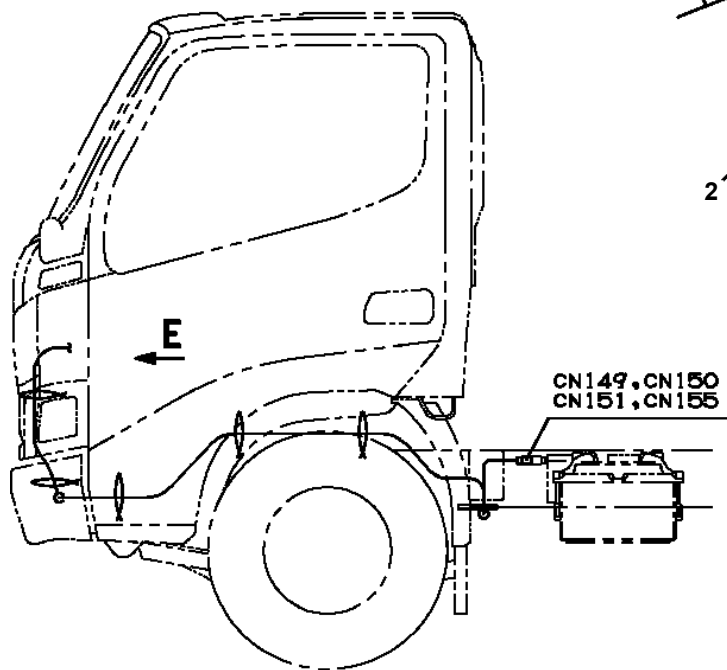


CN143

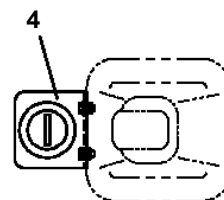


CN144

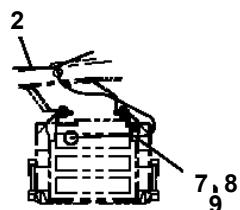
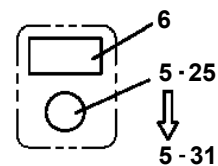
E/G始動, E/Gストップ・E/G回転検出
P.T.O.検出, ニュートラル検出, Pブレーキ検出
キーON電源取出, エアコン節電



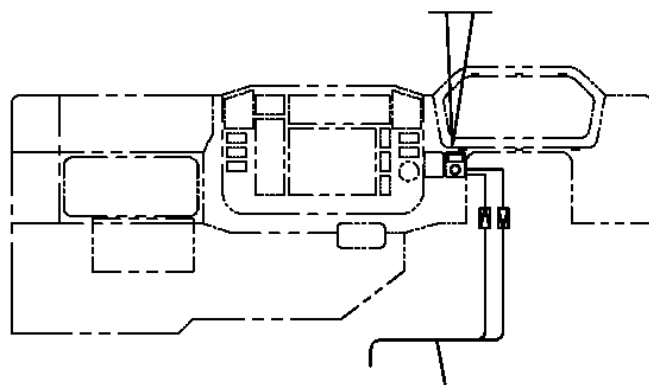
電源取出



D
アワメータ

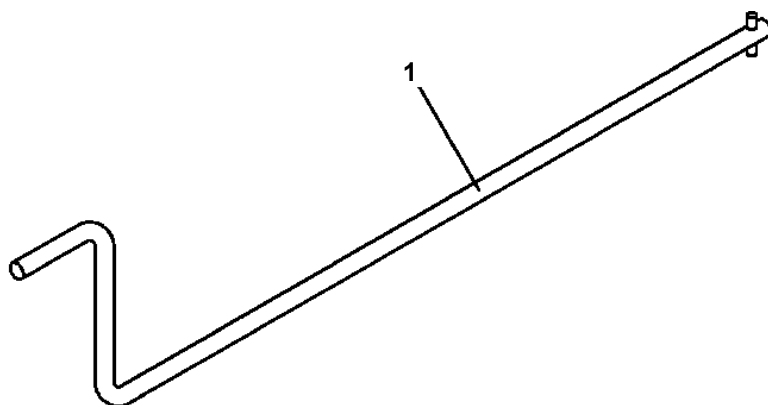


A



E
バッテリー充電表示灯

**AT-147-2 42096230500 LOWER,HINO BDG-XZU354E-TKMSD6
PW1010466-00 ACCESSORIES**



AT-147-2 42096230500 LOWER,HINO BDG-XZU354E-TKMSD6

Pos No.	Parts No	Parts Name	Qty	Unit	Technical Data	Serial No (Start)	Serial No (End)	Remarks
1	91810130240	FASTENER	10					
2	90186208014	BOLT,FLANGE	8		M8X14			
3	42807270100	SUPPORT	1					
4	42807270200	SUPPORT	1					
5	90186206016	BOLT,FLANGE	6		M6X16			
6	90280200800	NUT,FLANGE	2		M8			
7	42808940100	SUPPORT	1					
13	42807330100	SUPPORT	1					
14	42807330200	SUPPORT	1					
15	90201200500	NUT	8		M5			
16	90302040501	WASHER,SPRING	8		5			
17	42807380100	HARNESS	1		L=600			
18	42808000200	HARNESS	2					
19	82111101510	TERMINAL	4					
20	82121101085	PLUG (AVS0.85)	8					
21	82111101010	TERMINAL	4					
22	82114102020	CONNECTOR	2					
23	82121102020	HOLDER	4					
24	82114101020	CONNECTOR (2P,MALE)	2					

CLICK HERE TO **DOWNLOAD** THE COMPLETE MANUAL

- Thank you very much for reading the preview of the manual.
- You can download the complete manual from: www.heydownloads.com by clicking the link below



- Please note: If there is no response to CLICKING the link, please download this PDF first and then click on it.

CLICK HERE TO **DOWNLOAD** THE COMPLETE MANUAL