

**AT-147-2 42096220300 LOWER,MITSUBISHI KK-FE73EBY6K2**

PO1000149-00 INDICATION PLATES

PX2000319-01 CARRIER UNIT

ASSEMBLY

CLICK HERE TO **DOWNLOAD** THE COMPLETE MANUAL

- Thank you very much for reading the preview of the manual.
- You can download the complete manual from: [www.heydownloads.com](http://www.heydownloads.com) by clicking the link below



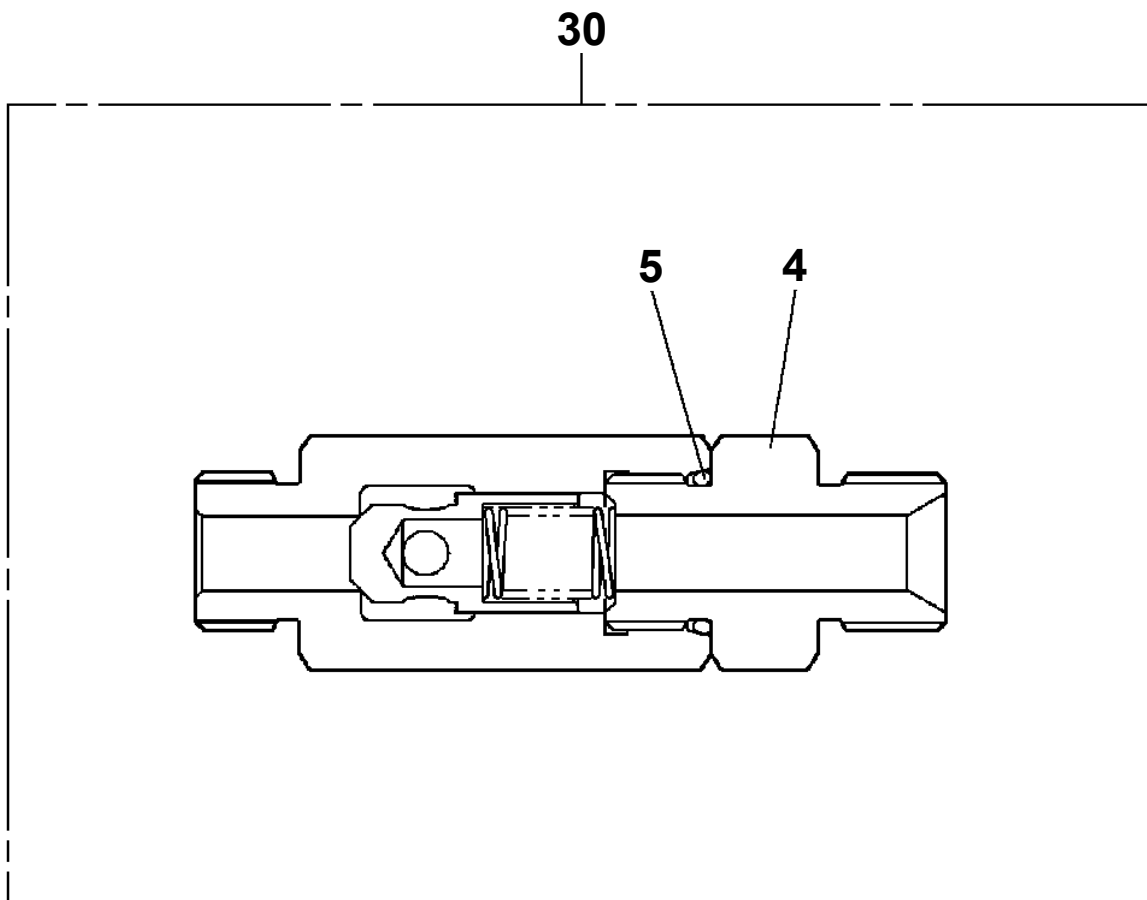
- Please note: If there is no response to CLICKING the link, please download this PDF first and then click on it.

CLICK HERE TO **DOWNLOAD** THE COMPLETE MANUAL

# AT-147-2 42096220300 LOWER,MITSUBISHI KK-FE73EBY6K2

Pos No.	Parts No	Parts Name	Qty	Unit	Technical Data	Serial No (Start)	Serial No (End)	Remarks	Page
1	90303071001	WASHER,PLAIN	2		10				
2	90302041001	WASHER,SPRING	2		10				
3	90174110035	BOLT	2		M10X35				
4	36652840000	PUMP,OIL (32CC:L)	1						00001

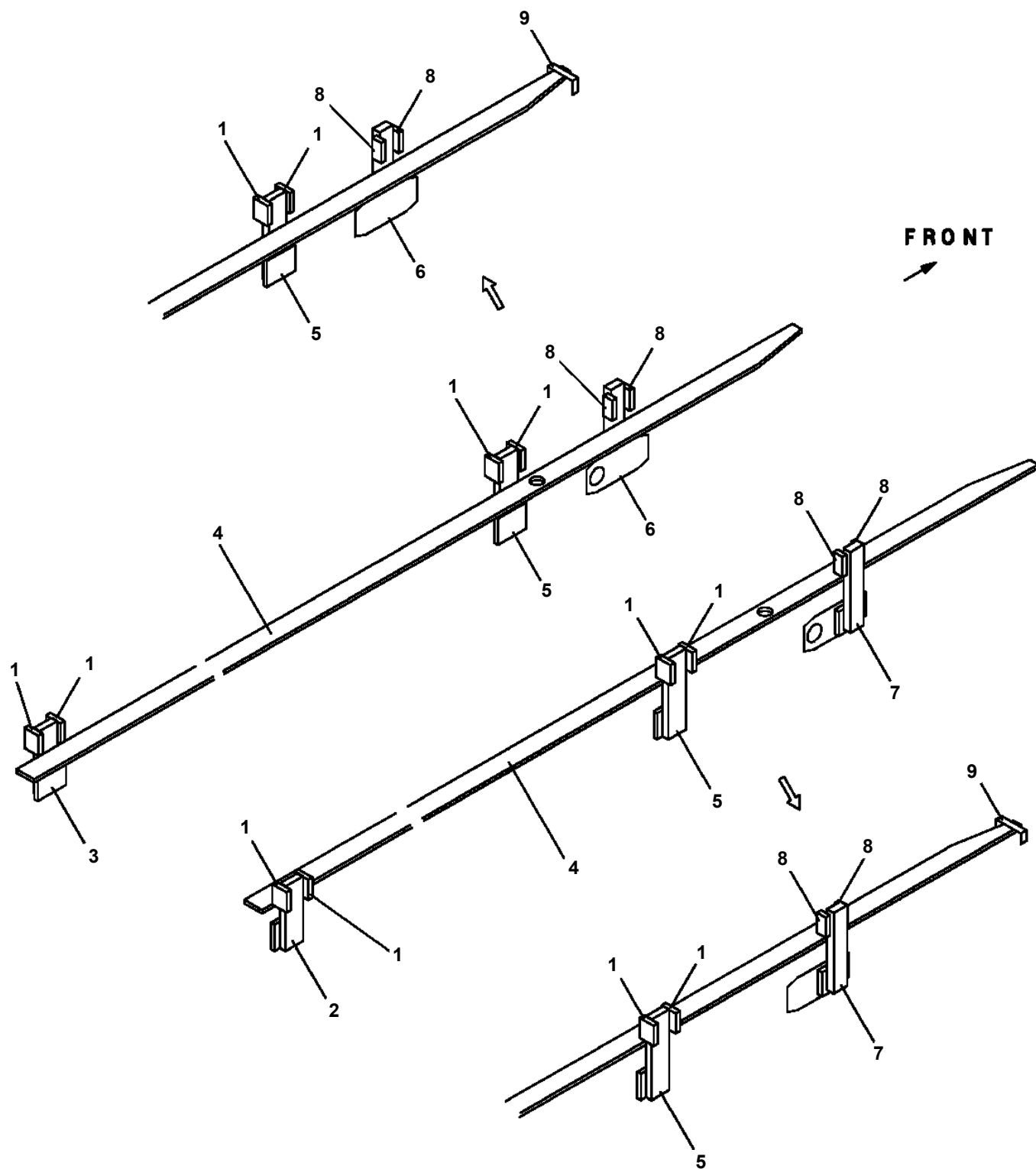
**AT-147-2 42096220300 LOWER, MITSUBISHI KK-FE73EBY6K2  
PI1140189-00 VALVE, CHECK**



# AT-147-2 42096220300 LOWER,MITSUBISHI KK-FE73EBY6K2

Pos No.	Parts No	Parts Name	Qty	Unit	Technical Data	Serial No (Start)	Serial No (End)	Remarks	Pages
1	42940060010	PLATE,NAME	1						
2	37002224450	PLATE,NAME	1						

**AT-147-2 42096220300 LOWER, MITSUBISHI KK-FE73EBY6K2  
PX1170471-01 ATTACHMENT PARTS, CRANE FRAME**



CLICK HERE TO **DOWNLOAD** THE COMPLETE MANUAL

- Thank you very much for reading the preview of the manual.
- You can download the complete manual from: [www.heydownloads.com](http://www.heydownloads.com) by clicking the link below



- Please note: If there is no response to CLICKING the link, please download this PDF first and then click on it.

CLICK HERE TO **DOWNLOAD** THE COMPLETE MANUAL