

AT-146-4A 43011830102 UPPER, LOWER, HINO 2KG-XZU600F-TKFSE6

PB0000300-00 UPPER STRUCTURE SYSTEM

PB0000504-00 LOWER STRUCTURE SYSTEM

ASSEMBLY

CLICK HERE TO **DOWNLOAD** THE COMPLETE MANUAL

- Thank you very much for reading the preview of the manual.
- You can download the complete manual from: www.heydownloads.com by clicking the link below



- Please note: If there is no response to CLICKING the link, please download this PDF first and then click on it.

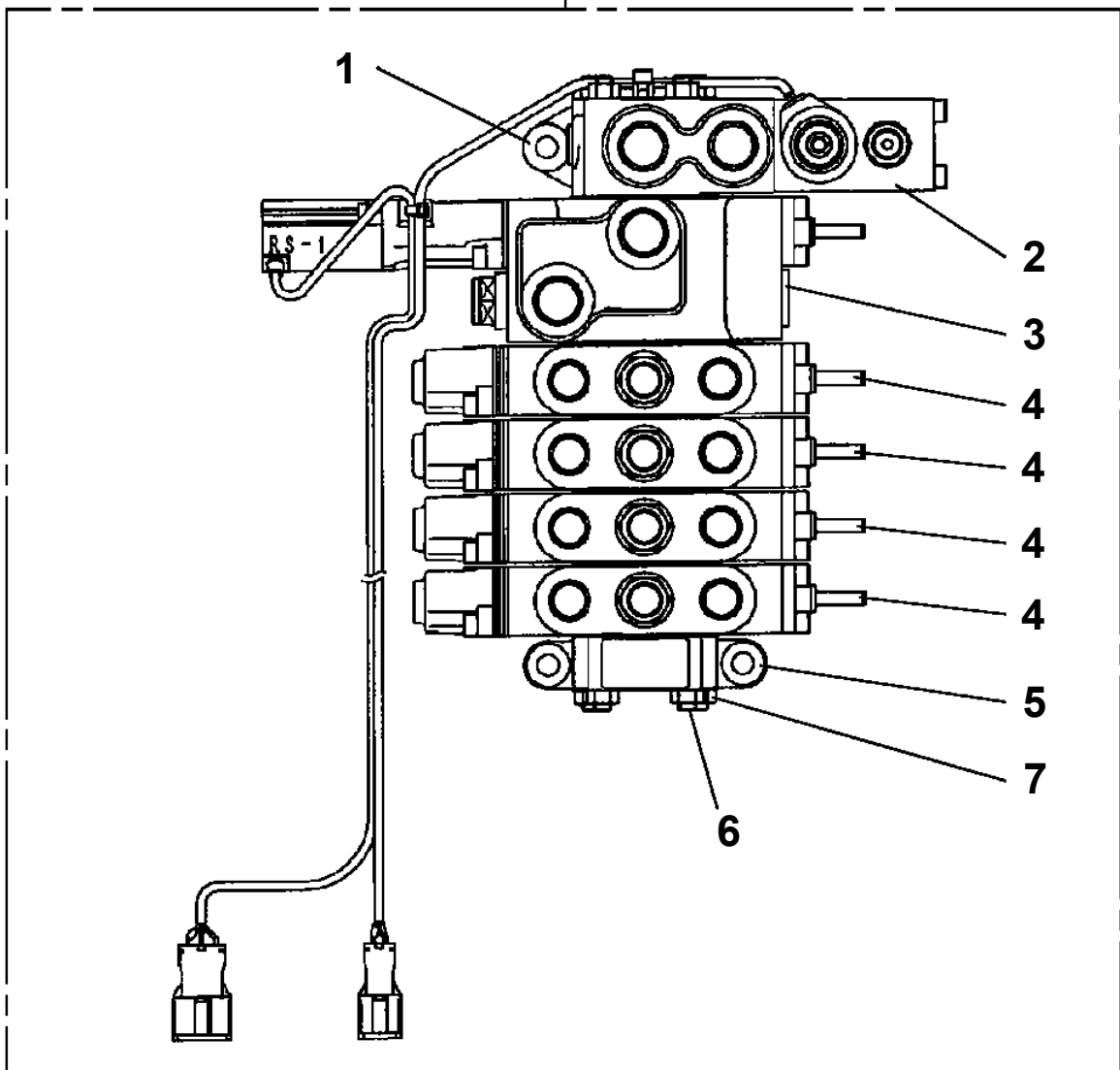
CLICK HERE TO **DOWNLOAD** THE COMPLETE MANUAL

AT-146-4A 43011830102 UPPER, LOWER, HINO 2KG-XZU600F-TKFSE6

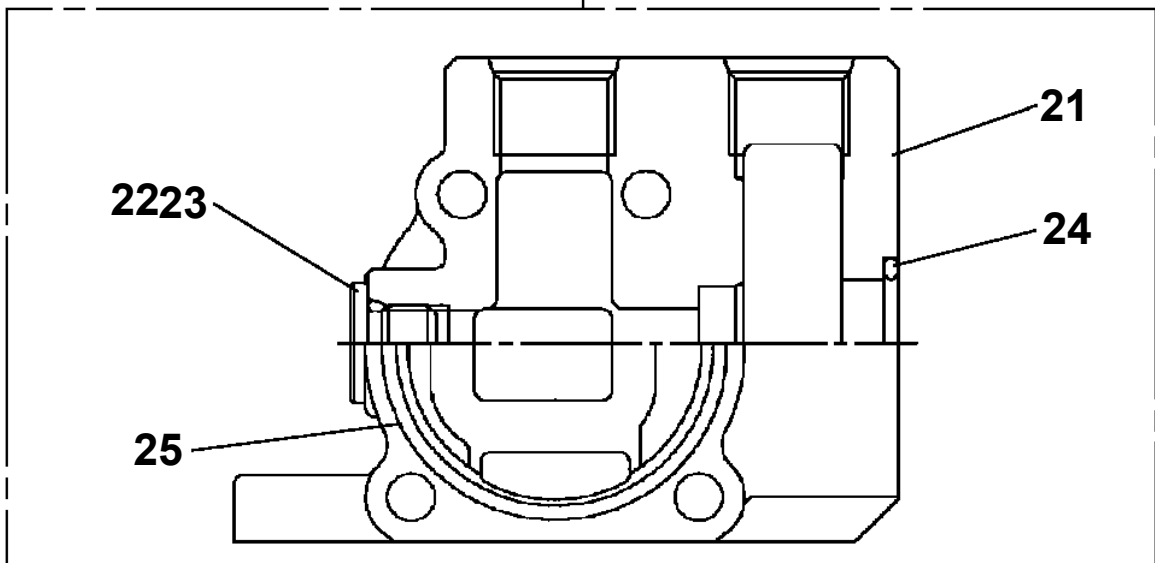
PW1050018-01 WEDGE (STOPPER FOR TIRE/JUSTIN)
PW5060084-00 WINCH ASSY (WITH JIB STOWING,WITHOUT FREE LOCK)
PW5060085-00 WINCH ASSY (WITHOUT JIB STOWING,WITH FREE LOCK)
PW5060086-00 WINCH ASSY (HYDRAULIC JIB,ROTATION FUNCTION)
PW5060087-00 WINCH ASSY (JU/WITH FREE LOCK)
PW5060088-00 WINCH ASSY
PW5060103-00 WINCH ASSY (W/O JIB STOW, W/ FREE LOCK/TOKYO ROPE)
PW5060104-00 WINCH ASSY (WITH FREE LOCK/TOKYO SEIKO ROPE)
PW5110005-00 WEDGE (YELLOW)
PX1001336-00 MOUNTING PARTS
PX1030696-01 FENDER
PX1210178-00 GUARD(HANDRAIL/DECK ON CAB, WITH JIB TURN STORAGE)
PX1210190-00 GUARD(HANDRAIL/DECK ON CAB, W/O JIB TURN STORAGE)
PX1260143-01 STEP (FOR ENTRY INTO CAB)
PX1260288-00 STEP (FOR ENTRY INTO CAB/HINO,TOYOTA)
PX1270075-01 WOOD BLOCK (WITH RUBBER,T=80)
PX1270086-01 WOOD BLOCK (W=350,H=80)
PX1270113-01 WOOD BLOCK (KANSAI DENRYOKU/DETACHABLE)
PX1270125-00 WOOD BLOCK (WITH RUBBER,T=100)
PX1270161-01 WOOD BLOCK (KANDEN/DETACHABLE TYPE,L)
PX1270162-00 WOOD BLOCK (KANSAI DENRYOKU/DETACHABLE)
PX1270163-01 BLOCK,WOOD (LEFT REAR:KANSAI DENRYOKU/DETACHABLE TYPE)
PX1270165-00 WOOD BLOCK (KANDEN/DETACHABLE TYPE,B)
PX1310050-00 MOUNT,LAMP (BUCKET,FOR NTT,OPTION)
PX1350591-01 BOX,TOOL
PX1350599-02 BOX,TOOL
PX1350832-00 BOX,TOOL
PX1351100-01 BOX,TOOL (DECK ON CAB,W/O JK)
PX1351101-00 BOX,TOOL
PX1351142-00 BOX,TOOL (DECK ON CAB,JK,ISUZU,HINO)
PX1351200-01 BOX,TOOL
PX1351206-01 BOX,TOOL
PX1351248-01 BOX,TOOL (DECK ON CAB, W/O JK,SAFETY RAIL,ISUZU,HINO)
PX1370305-01 GUARD,CAB
PX1410231-01 MOUNT,TIRE
PX1620033-00 MOUNT,COLOR CONE SUPPORT
PX1810287-01 MOUNT,SUPPORT
PX1830013-00 COUPLING
PX1940306-00 MOUNT (BOOM SIDE,INSTALLATION PLUG FOR JIB SUPPORT)
PX3000880-00 MOUNTING UNIT
PX5010479-00 MOUNT ASSY (OVER FENDER)
PX5010480-00 MOUNT ASSY (HANDRAIL:BOOM SIDE)
PX5010481-00 MOUNT ASSY (GATE)
PX5010484-02 MOUNT ASSY (GATE)
PX5010539-00 MOUNT ASSY (BUCKET DESCENT WARNING)
PX5010572-00 MOUNT ASSY
PX5010618-00 MOUNT ASSY
PX5010621-00 MOUNT ASSY (BATTERY)
PX5010622-00 MOUNT ASSY (HANDRAIL)
PX5010627-00 MOUNT ASSY (HANDRAIL)
PX5060008-01 MOUNT ASSY,BATTERY (MOUNT/MOTOR UNIT)
PX5060039-00 MOUNT ASSY,BATTERY (UPPER SPARE BATTERY)
PX5060040-00 MOUNT ASSY,BATTERY (UPPER SPARE BATTERY,NO BODY)
PX5110058-00 MOUNT ASSY,BOOM SUPPORT
PX5220001-00 MOUNT ASSY,CHARGER (MOUNT/MOTOR UNIT)
PX5260027-01 MOUNT ASSY,COVER (BOOM)
PX5260029-00 MOUNT ASSY,COVER (VEHICLE LEVELLING FUNCTION)
PX5260045-00 MOUNT ASSY,COVER
PX5280047-00 MOUNT ASSY,DECK (RIGHT-REAR FENDER)
PX5280079-00 MOUNT ASSY,DECK (LEFT/REAR:NONE+HANDRAIL)
PX5430011-00 MOUNT ASSY,GUARD (WITHOUT JIB STOWING FUNCTION)
PX5430020-00 MOUNT ASSY,GUARD (WITH JIB STOWING FUNCTION)
PX5430030-01 MOUNT ASSY,GUARD (FILTER)
PX5510008-00 MOUNT ASSY,MOTOR UNIT

AT-146-4A 43011830102 UPPER, LOWER, HINO 2KG-XZU600F-TKFSE6
PB1320537-01 VALVE, MANUAL CONTROL

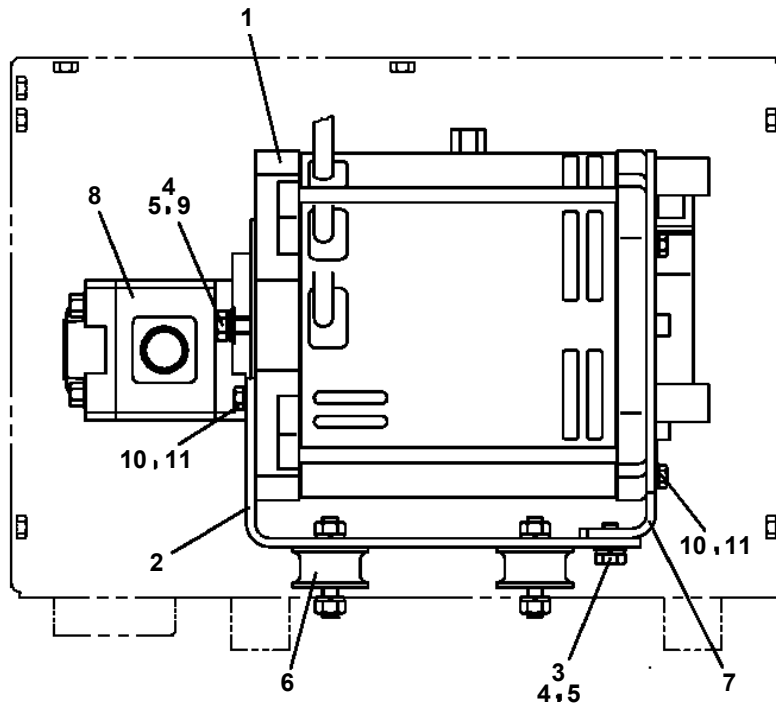
200



1



**AT-146-4A 43011830102 UPPER, LOWER, HINO 2KG-XZU600F-TKFSE6
PB1380294-00 POWER SUPPLY (MOTOR UNIT)**



AT-146-4A 43011830102 UPPER, LOWER, HINO 2KG-XZU600F-TKFSE6

Pos No.	Parts No	Parts Name	Qty	Unit	Technical Data	Serial No (Start)	Serial No (End)	Remarks	Pages
1	37002503400	HOSE	1		L=710				
2	91803600300	CLIP	4		D=22-30				
3	37002406360	HOSE	1		L=900				
4	91810150020	FASTENER	1		L=488				
5	82100002017	CLAMP	1		WR30				
6	82100001412	TUBE, SPIRAL	1	M	SE-12BK				

AT-146-4A 43011830102 UPPER, LOWER, HINO 2KG-XZU600F-TKFSE6

Pos No.	Parts No	Parts Name	Qty	Unit	Technical Data	Serial No (Start)	Serial No (End)	Remarks	Pages
1	42972410000	BLOCK,WOOD	1		T=150				

**AT-146-4A 43011830102 UPPER, LOWER, HINO 2KG-XZU600F-TKFSE6
PB5240006-00 BOOSTER ASSY,AIR (40T,TEMPORARY HOLD)**

ブースタASSY,エア (40T,カリホシツキ)
BOOSTER ASSY,AIR (40T,TEMPORARY HOLD)

昇降バケット用

指示番号 KEY NO.	部品名称 PART NAME	備考 REMARK
1	ブースタASSY BOOSTER ASSY	
2	ハイセンASSY ELEC.ASSY	
3	ハイカンASSY PIPING ASSY	

適用製造番号によっては取り付けがないものもあります。

MACHINES OF SOME SERIAL NO. ARE NOT EQUIPPED WITH THESE PARTS.

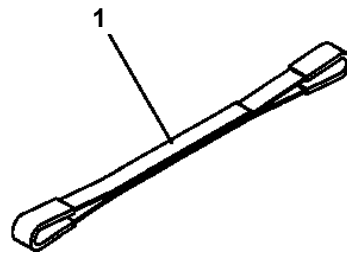
AT-146-4A 43011830102 UPPER, LOWER, HINO 2KG-XZU600F-TKFSE6

Pos No.	Parts No	Parts Name	Qty	Unit	Technical Data	Serial No (Start)	Serial No (End)	Remarks
2	42514441200	CASE	1					
3	42514202300	COVER	1					
4	82464107812	HINGE	2					
5	80172804008	SCREW,MACHINE	8		M4X8			
6	90302510401	WASHER,SPRING	10		4			
7	90201500400	NUT	6		M4			
8	82466100702	CATCH	1					
9	80172803008	SCREW,MACHINE	4		M3X8			
10	90302510301	WASHER,SPRING (SUS 3)	4					
11	90201500300	NUT	2		M3			
12	82400000393	INSULATOR	1					
13	80172804016	SCREW,MACHINE	1		M4X16			
14	90303520401	WASHER,PLAIN	2		4			
15	42698150300	INSULATOR	1					
16	80172804012	SCREW,MACHINE	1		M4X12			
35	82400000201	GROMMET	1		KG-016			
100	42514441100	BOX ASSY	1					

AT-146-4A 43011830102 UPPER, LOWER, HINO 2KG-XZU600F-TKFSE6

Pos No.	Parts No	Parts Name	Qty	Unit	Technical Data	Serial No (Start)	Serial No (End)	Rema
2	42839777520	DOOR	1					
4	42839777540	SUPPORT	1					
5	42835797610	RUBBER	1					
6	42839777550	MAT	1					
7	42833607570	BOLT ASSY	2					
8	37000512320	PLATE	4					
9	42836317950	WEATHER STRIP	5	M				
10	42835867870	CATCH	1					
11	42838117510	CATCH	1					
12	82464110007	HINGE	3					
13	42835797580	PLUG (HOLE)	3					
14	42833077610	BUSH	6					
15	42835587520	SCREW,MACHINE (WITH SW)	4		M6X14			
16	42835257960	SCREW,MACHINE	18		M4X10			
17	42832697600	BRACKET (FOR GAS SPRING)	2					
18	99164806015	BOLT (WITH W,SW SUS)	4		M6X15			
19	42835987620	PLATE	6					
22	82440850080	GAS SPRING	2					
23	42839777560	SUPPORT	1					
100	42839774000	BOX,TOOL	1					

AT-146-4A 43011830102 UPPER, LOWER, HINO 2KG-XZU600F-TKFSE6
PB5570001-00 BELT



AT-146-4A 43011830102 UPPER, LOWER, HINO 2KG-XZU600F-TKFSE6

Pos No.	Parts No	Parts Name	Qty	Unit	Technical Data	Serial No (Start)	Serial No (End)	R
1	36132155010	PLATE (BASE)	1					
2	36132155020	CASE	1					
3	36132155030	COVER	1					
8	36132155080	BRACKET	1					
9	36131805010	PACKING	1					
10	36131745010	POTENTIOMETER	1					
11	36132155090	GEAR	1					
12	36132155100	GEAR	1					
13	36132155110	WIRE ASSY	1					
14	36132155120	CORD ASSY	1					
51	36132155140	SPRING ASSY	1					
100	36132150000	DETECTOR,OUTRIGGER LENGTH	1					

**AT-146-4A 43011830102 UPPER, LOWER, HINO 2KG-XZU600F-TKFSE6
PC5420006-00 CONTROLLER (GSMT)**

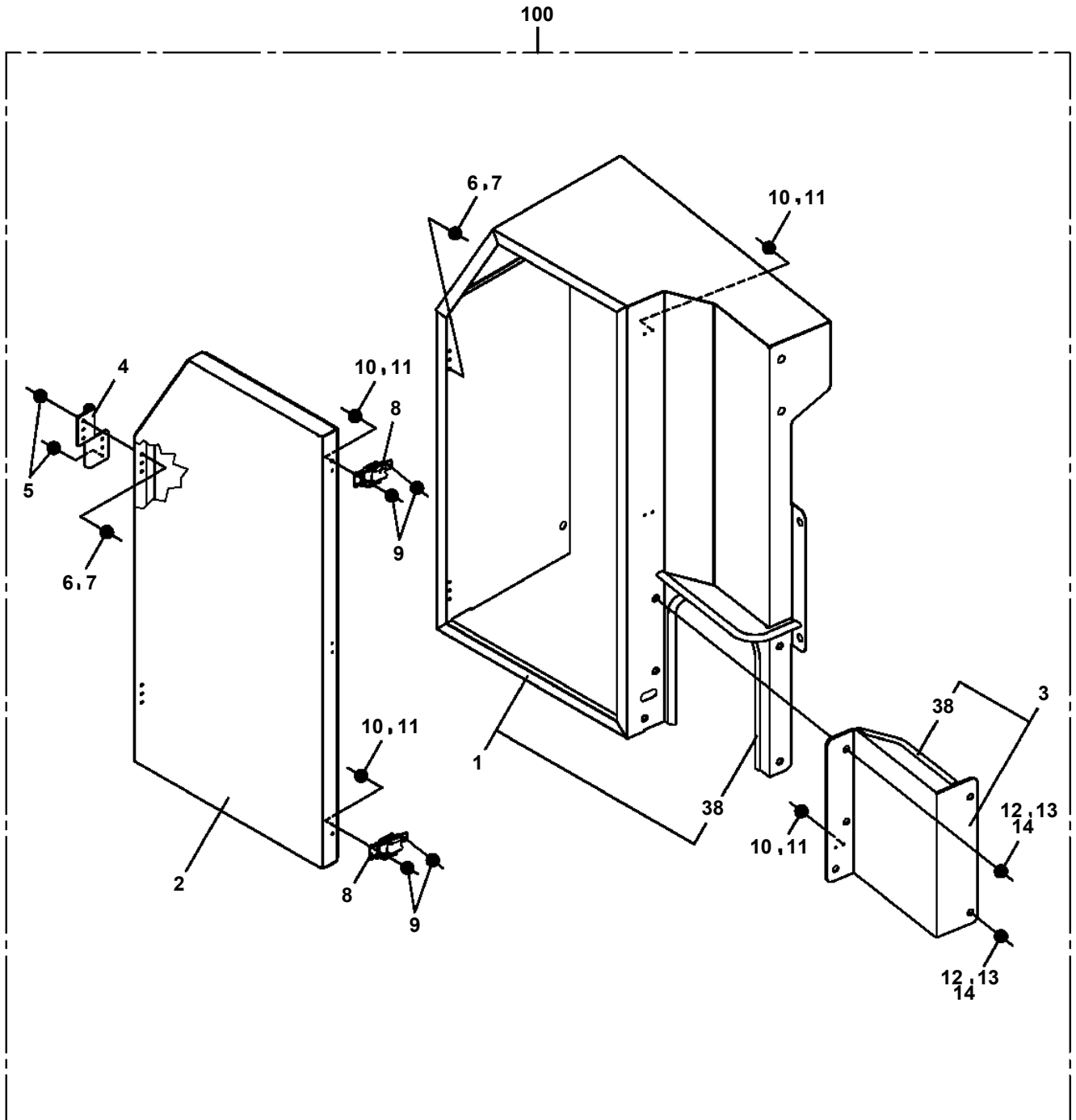
100



AT-146-4A 43011830102 UPPER, LOWER, HINO 2KG-XZU600F-TKFSE6

Pos No.	Parts No	Parts Name	Qty	Unit	Technical Data	Serial No (Start)	Serial No (End)	Remarks	Pages
1	42312496100	COVER	1						
2	90183108020	BOLT	14		M8X20				
3	37000565990	PLATE	6						
4	42312496300	COVER	1						
5	42312146100	COVER	1						
6	90183108015	BOLT	10		M8X15				
7	37000565980	PLATE	10						
8	42312496200	COVER	1						
9	42312496400	COVER	1						
10	42311896600	COVER	1						
11	42352411010	PLATE	3						
12	37000517000	PLATE	6						
32	82400000312	GROMMET	2		L=1000				

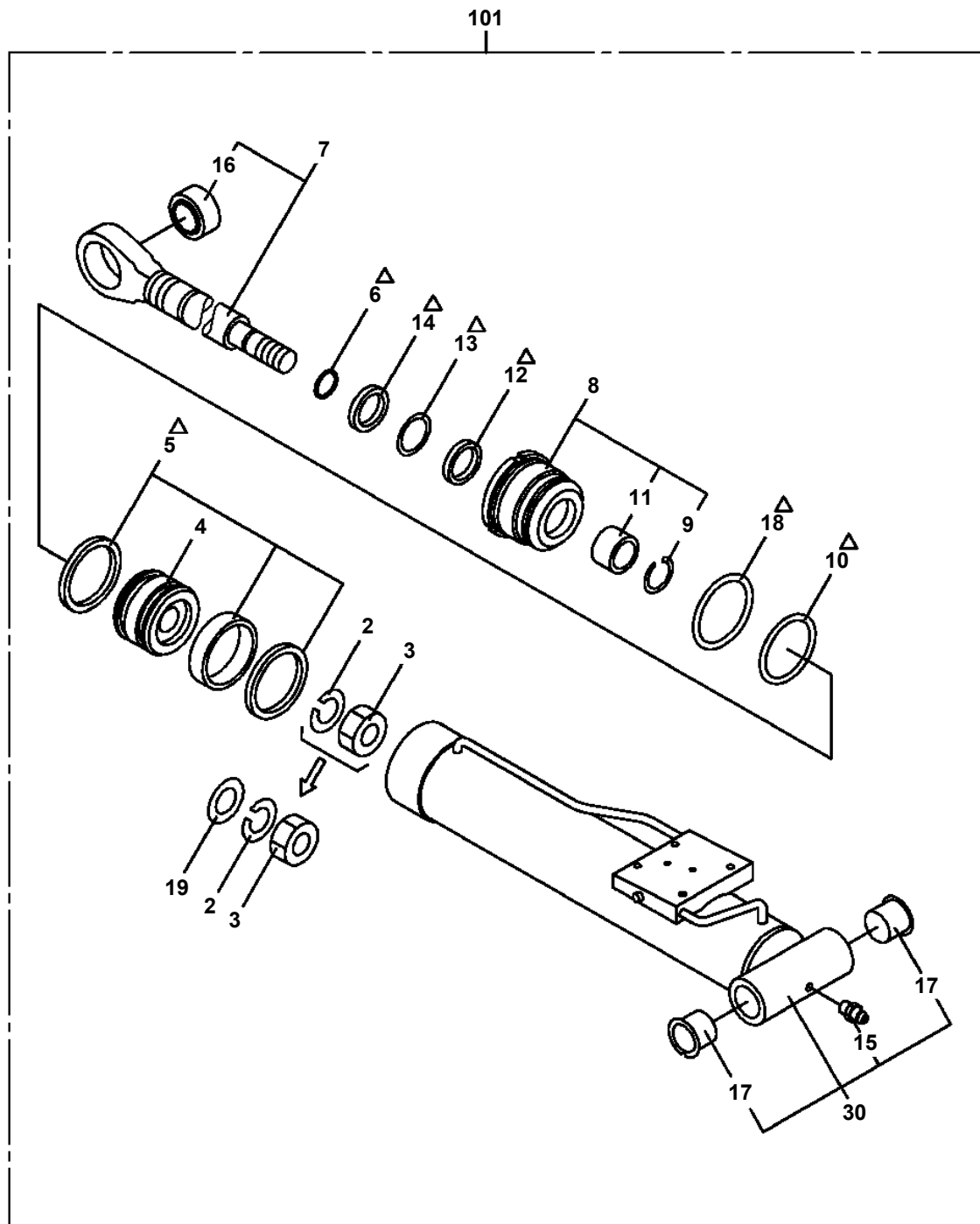
AT-146-4A 43011830102 UPPER, LOWER, HINO 2KG-XZU600F-TKFSE6
PC5570206-00 COVER ASSY



AT-146-4A 43011830102 UPPER, LOWER, HINO 2KG-XZU600F-TKFSE6

Pos No.	Parts No	Parts Name	Qty	Unit	Technical Data	Serial No (Start)	Serial No (End)	Remarks	Pages
1	42443101310	PLATE	1						
3	42443101271	BLADE	1						
4	42443101381	SUPPORT	1						
5	80172304014	SCREW,MACHINE	4		M4X14				
6	90302040401	WASHER,SPRING	4		4				
7	90201200400	NUT	4		M4				
8	42443100850	PLATE	1						
9	42443100900	PLATE	1						
100	42443101305	COVER ASSY	1						

AT-146-4A 43011830102 UPPER, LOWER, HINO 2KG-XZU600F-TKFSE6
PC6400003-00 CYLINDER ASSY,LEVELING (UPPER)

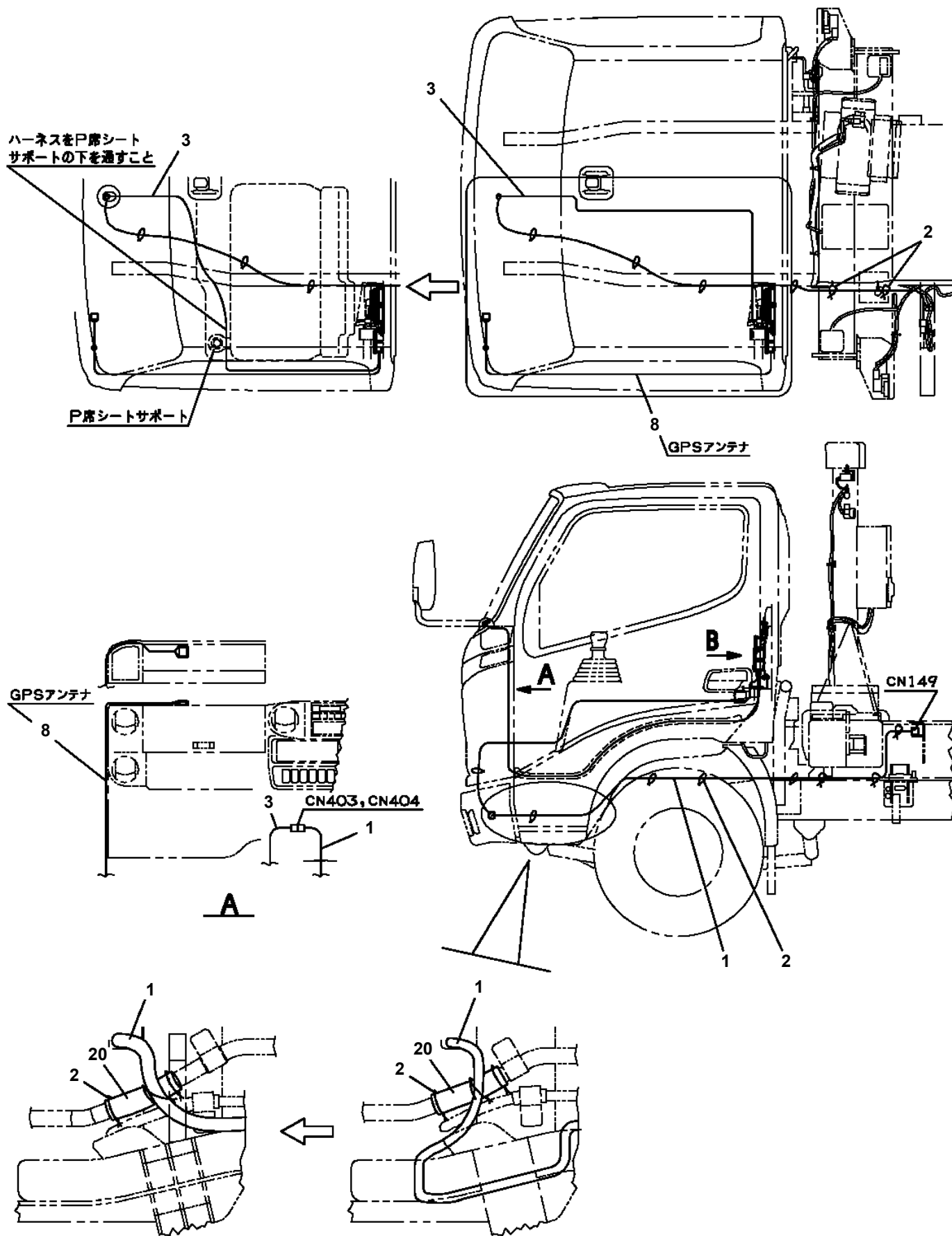


Δ:PACKING SET KEY NO. 50 (KEY NO.5,6,10,12,13,14,18)

AT-146-4A 43011830102 UPPER, LOWER, HINO 2KG-XZU600F-TKFSE6

Pos No.	Parts No	Parts Name	Qty	Unit	Technical Data	Serial No (Start)	Serial No (End)	R
1	36028760002	CYLINDER ASSY,DERRICK	1					
2	36606450000	VALVE ASSY,COUNTERBALANCE	1					
3	90171108060	BOLT	4		M8X70			
4	90302040801	WASHER,SPRING	4		8			

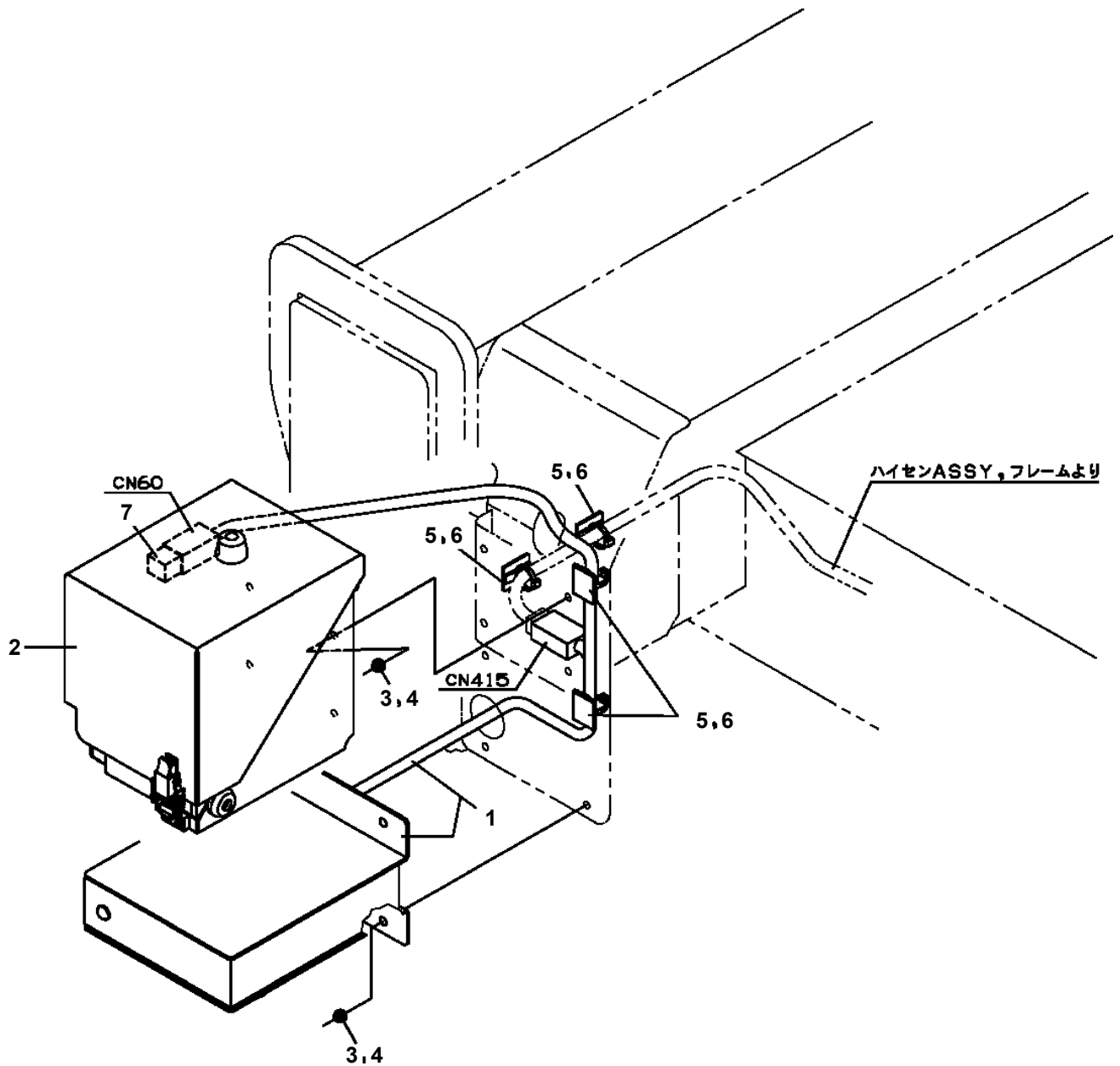
AT-146-4A 43011830102 UPPER, LOWER, HINO 2KG-XZU600F-TKFSE6
 PE5020676-03 ELEC.ASSY (TELEMATICS)



AT-146-4A 43011830102 UPPER, LOWER, HINO 2KG-XZU600F-TKFSE6

Pos No.	Parts No	Parts Name	Qty	Unit	Technical Data	Serial No (Start)	Serial No (End)	Remarks	Page
1	42513281100	HARNESS	1						000
2	42476303100	CABLE ASSY	1		L=1000				
3	91810132530	FASTENER	5						
4	82100001411	TUBE, SPIRAL	1	M	SE-08BK				
5	42392583090	PLATE, CAUTION	1						
6	42510462200	SENDER, PRESSURE	1						
7	80313040010	GASKET	1						
37	82122910400	CAP	1						

AT-146-4A 43011830102 UPPER, LOWER, HINO 2KG-XZU600F-TKFSE6
PE5021287-00 ELEC.ASSY (BATTERY,NO BODY)



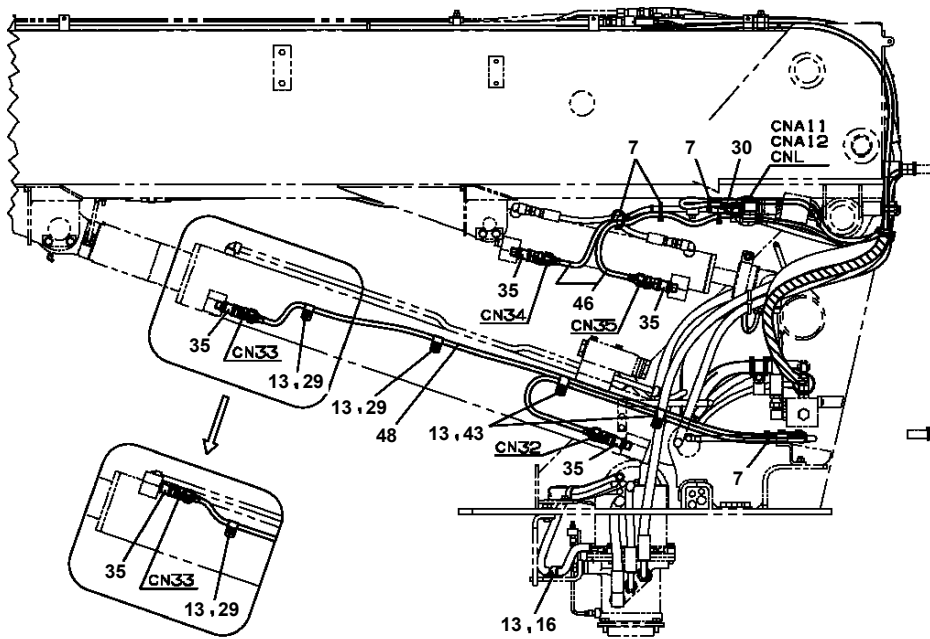
AT-146-4A 43011830102 UPPER, LOWER, HINO 2KG-XZU600F-TKFSE6

Pos No.	Parts No	Parts Name	Qty	Unit	Technical Data	Serial No (Start)	Serial No (End)
1	90180206012	BOLT,BUTTON	4		M6X12		
2	90302040601	WASHER,SPRING	8		6		
3	36140750000	DETECTOR ASSY,ANGLE (ASSY ONLY)	2				
4	90304110601	WASHER,TOOTH	4		6		
5	36132680000	DETECTOR ASSY,LENGTH (BOOM)	1				
6	80175304010	SCREW,MACHINE	1		M4X10		
7	82100002008	CLAMP	9		WR12		
8	90280200600	NUT,FLANGE	16		M6		
9	91810132530	FASTENER	9				
10	42356320103	COVER	1				
11	90186208010	BOLT,FLANGE	4		M8X10		
12	42353100600	ROLLER ASSY	1				
13	82100002004	CLAMP	6		WR8		
14	82100002010	CLAMP	1		WR15		
15	42360030060	WASHER	1				
16	42475910010	PLATE,NAME	2				
17	90172106020	BOLT,HEXAGON SOCKET	2		M6X20		
18	90303070601	WASHER,PLAIN	4		6		
19	90240200600	NUT,CAP	4		M6		
20	37000314890	SPACER	2		L=30		
21	90172106050	BOLT,HEXAGON SOCKET	2		M6X50		
22	82131500010	INSULATOR	3				
23	82100002005	CLAMP	1		WRC8		
52	37001102350	ROLLER	1				
53	37000302060	SPACER	1		L=11.2		
55	90201201000	NUT	1		M10		
56	90302041001	WASHER,SPRING	1		10		
57	90303071001	WASHER,PLAIN	1		10		
71	42351120200	SUPPORT	1				

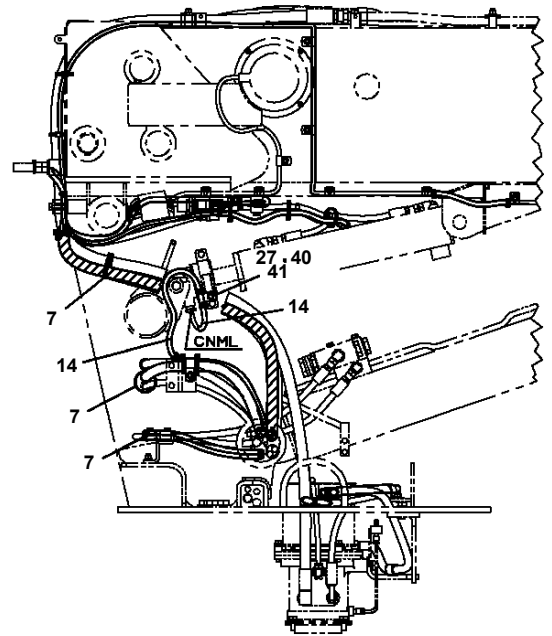
AT-146-4A 43011830102 UPPER, LOWER, HINO 2KG-XZU600F-TKFSE6

Pos No.	Parts No	Parts Name	Qty	Unit	Technical Data	Serial No (Start)	Serial No (End)	Remarks	Pages
1	42356410300	CABLE	1		L=10000				
2	42392191110	PLATE,NAME	1						
3	91810132530	FASTENER	5						

**AT-146-4A 43011830102 UPPER, LOWER, HINO 2KG-XZU600F-TKFSE6
PE5190025-03 ELEC.ASSY,SWING FRAME**



A-A



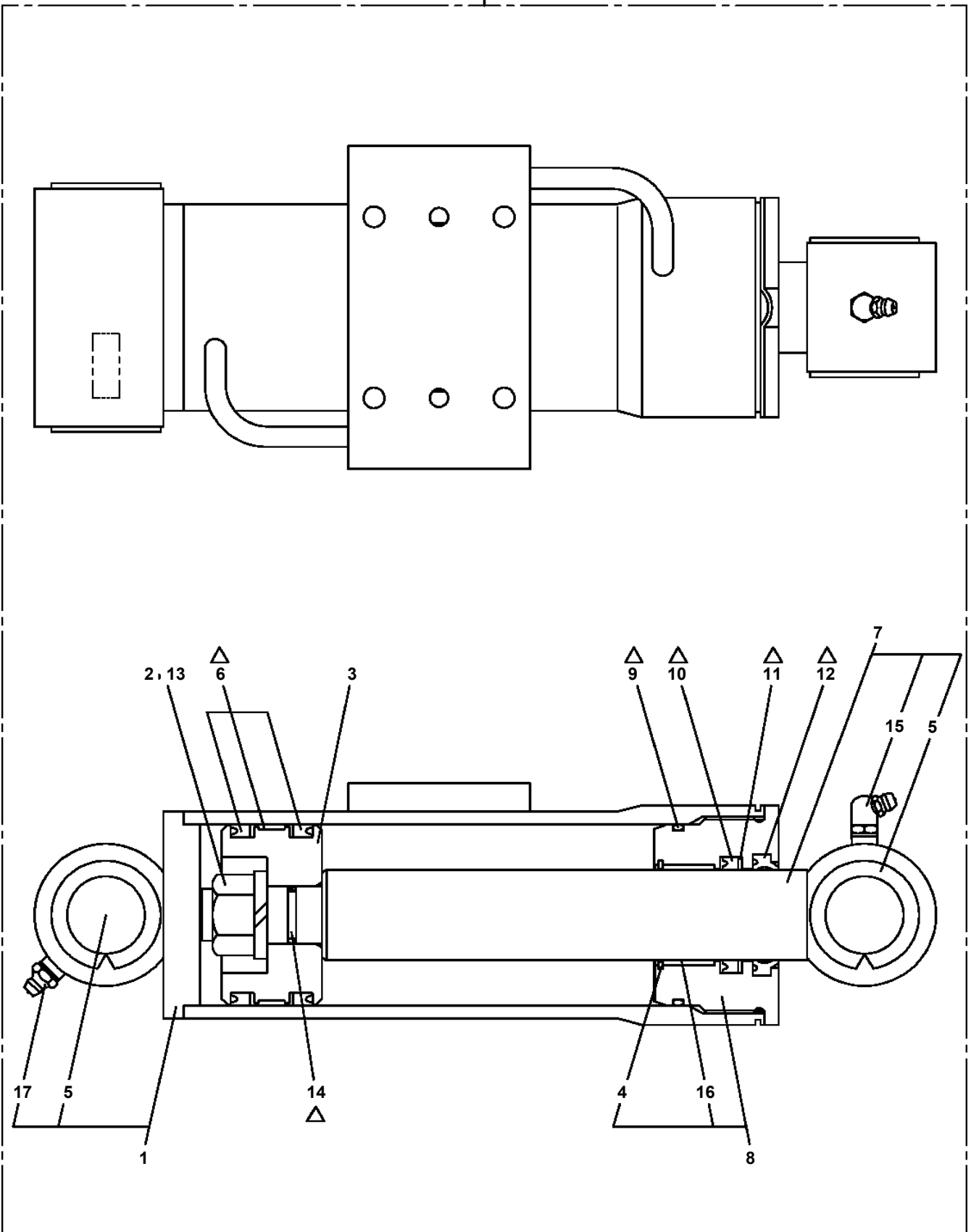
B-B

AT-146-4A 43011830102 UPPER, LOWER, HINO 2KG-XZU600F-TKFSE6

Pos No.	Parts No	Parts Name	Qty	Unit	Technical Data	Serial No (Start)	Serial No (End)	Remarks	Pages
1	42310956200	ROPE (TSK)	1						
2	12221506000	HOOK	1						
3	83152811000	SHACKLE	1						
11	12221506010	STOPPER ASSY	1						000346

AT-146-4A 43011830102 UPPER, LOWER, HINO 2KG-XZU600F-TKFSE6
 PF1360007-01 CYLINDER,WINCH JIB

50

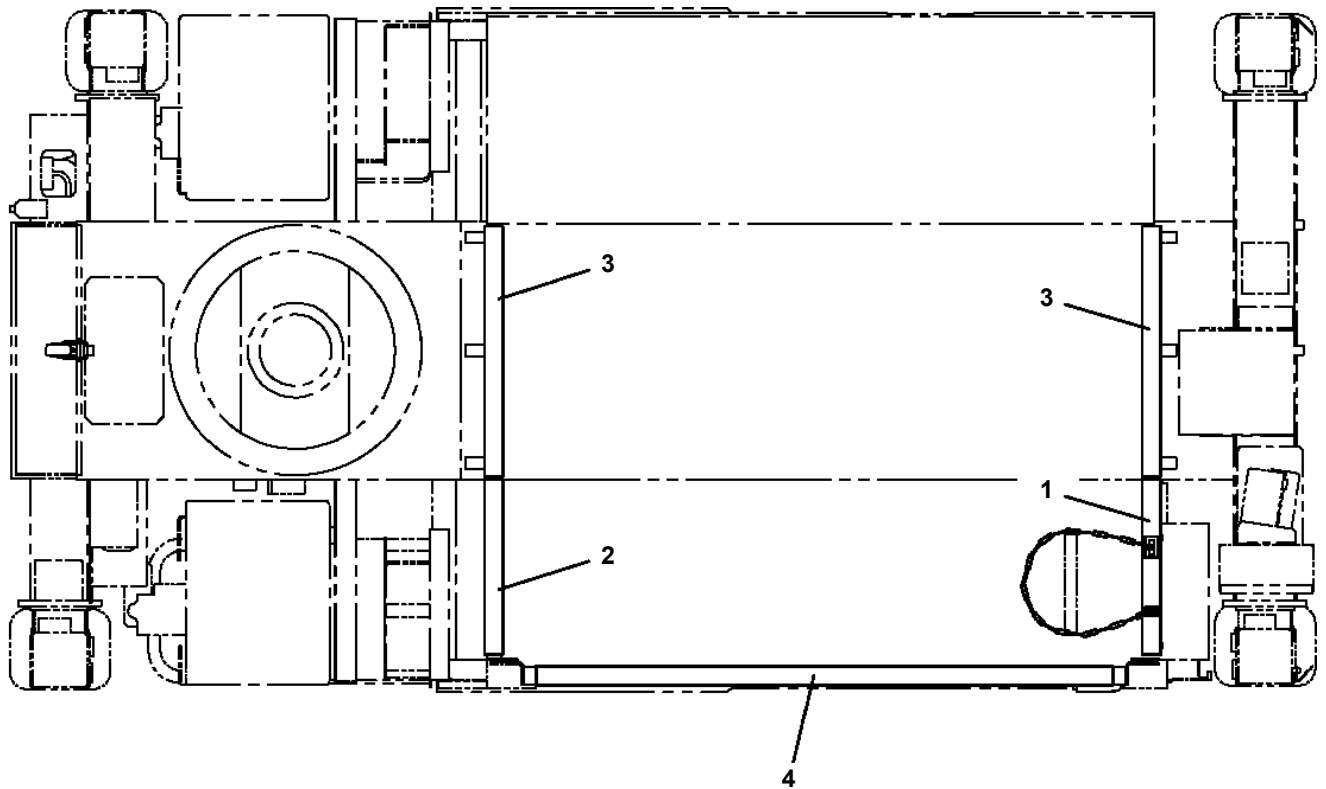


Δ:PACKING SET KEY NO.30 (KEY NO.6,9,10,11,12,14)

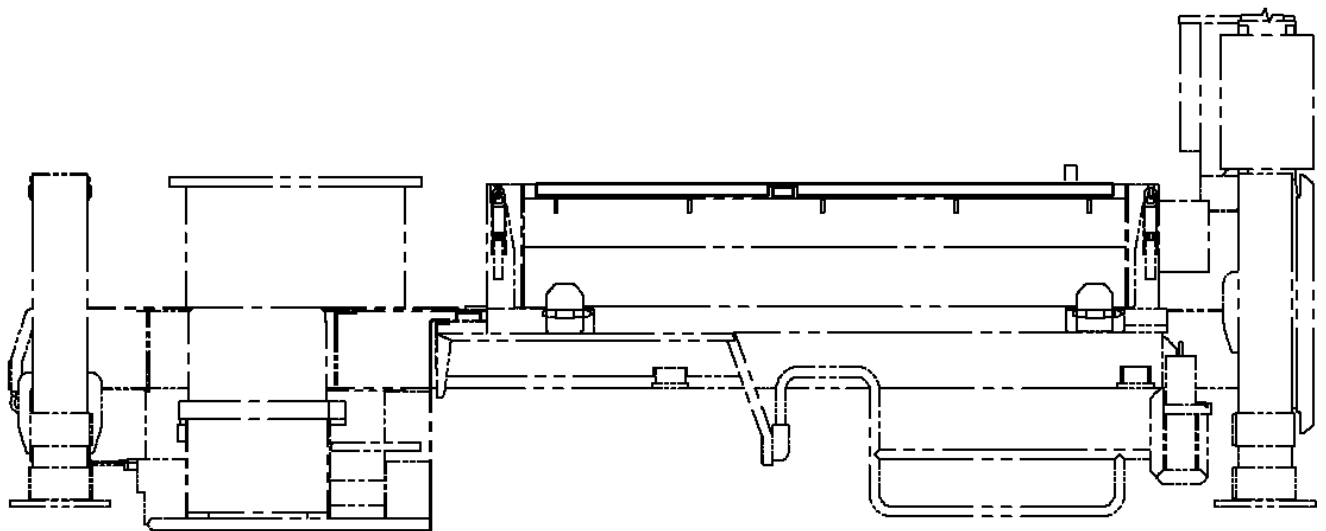
AT-146-4A 43011830102 UPPER, LOWER, HINO 2KG-XZU600F-TKFSE6

Pos No.	Parts No	Parts Name	Qty	Unit	Technical Data	Serial No (Start)	Serial No (End)	Remarks	Pages
1	42837230100	SUPPORT	1						
2	90101208016	BOLT	8		M8X16				
3	90302040801	WASHER,SPRING	8		8				
4	82466003104	CAP	2						
11	42202842200	SUPPORT	1						
12	42202842300	SUPPORT	1						

AT-146-4A 43011830102 UPPER, LOWER, HINO 2KG-XZU600F-TKFSE6
PG5200054-00 GUARD ASSY



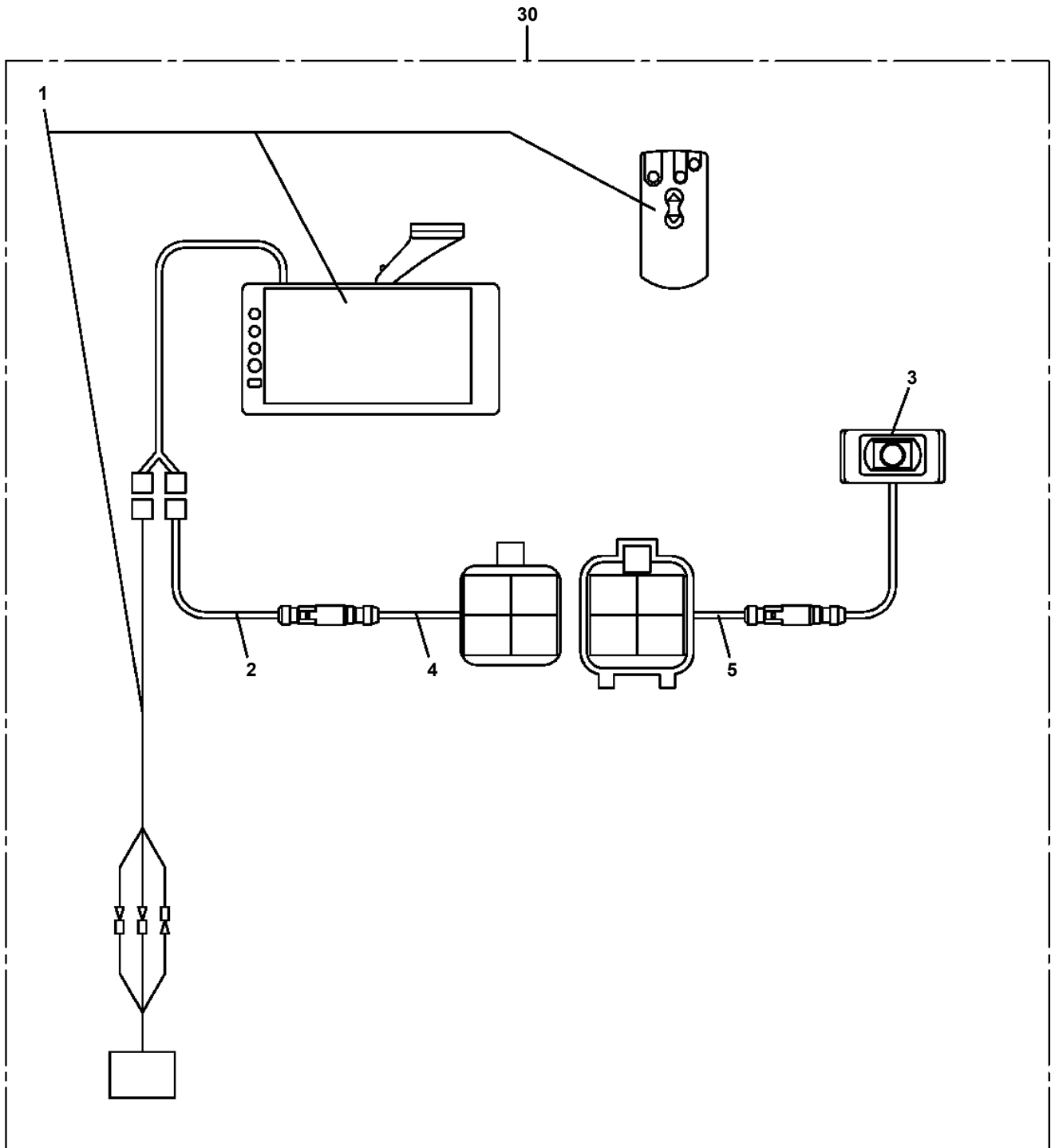
→ FRONT



AT-146-4A 43011830102 UPPER, LOWER, HINO 2KG-XZU600F-TKFSE6

Pos No.	Parts No	Parts Name	Qty	Unit	Technical Data	Serial No (Start)	Serial No (End)
1	36197730000	AUTOMATIC MOTION CONTROLLER	1				

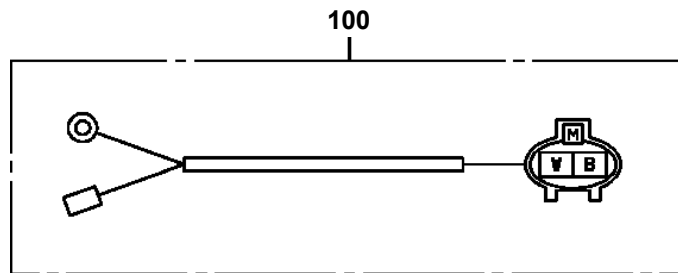
AT-146-4A 43011830102 UPPER, LOWER, HINO 2KG-XZU600F-TKFSE6
PH1700241-00 VIEW SYSTEM (MAIN UNIT)



AT-146-4A 43011830102 UPPER, LOWER, HINO 2KG-XZU600F-TKFSE6

Pos No.	Parts No	Parts Name	Qty	Unit	Technical Data	Serial No (Start)	Serial No (End)	Remarks	Pages
100	42902080100	HARNESS	1						

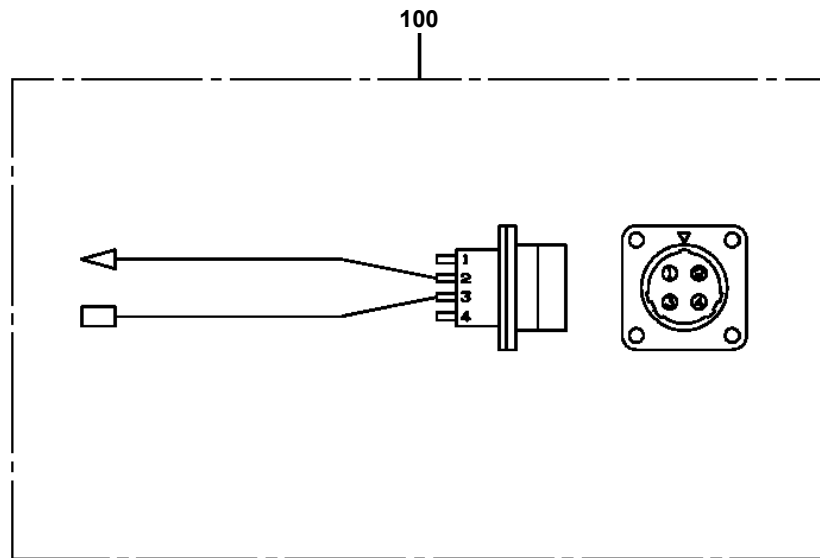
**AT-146-4A 43011830102 UPPER, LOWER, HINO 2KG-XZU600F-TKFSE6
PH5031073-00 HARNESS**



AT-146-4A 43011830102 UPPER, LOWER, HINO 2KG-XZU600F-TKFSE6

Pos No.	Parts No	Parts Name	Qty	Unit	Technical Data	Serial No (Start)	Serial No (End)	Remarks	Pages
100	42736670100	HARNESS	1						

**AT-146-4A 43011830102 UPPER, LOWER, HINO 2KG-XZU600F-TKFSE6
PH5032349-00 HARNESS**

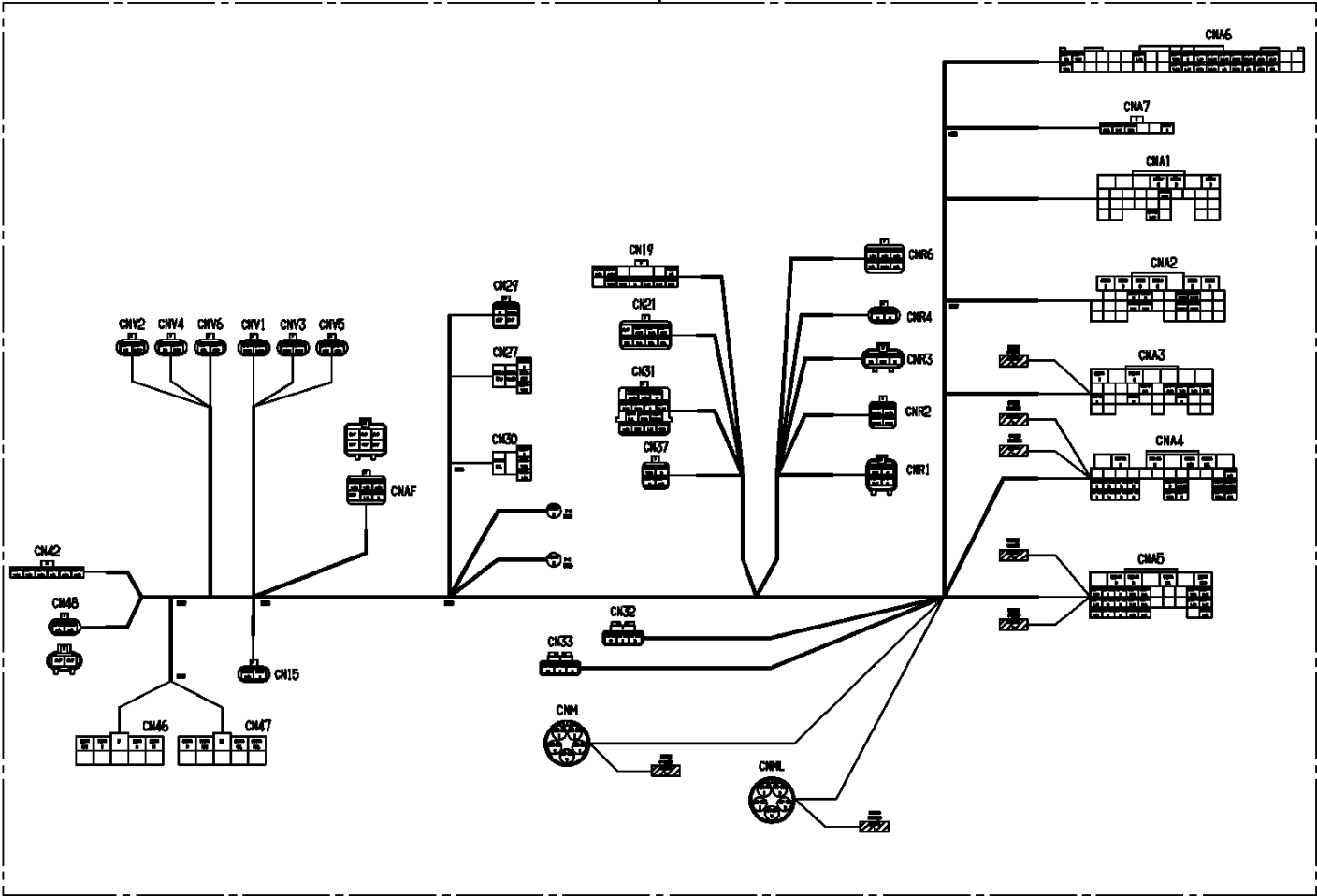


AT-146-4A 43011830102 UPPER, LOWER, HINO 2KG-XZU600F-TKFSE6

Pos No.	Parts No	Parts Name	Qty	Unit	Technical Data	Serial No (Start)	Serial No (End)	Remarks	Pages
10	82105220112	SWITCH,TOGGLE	1						
100	42511150010	HARNESS	1						

AT-146-4A 43011830102 UPPER, LOWER, HINO 2KG-XZU600F-TKFSE6
PH5033044-00 HARNESS

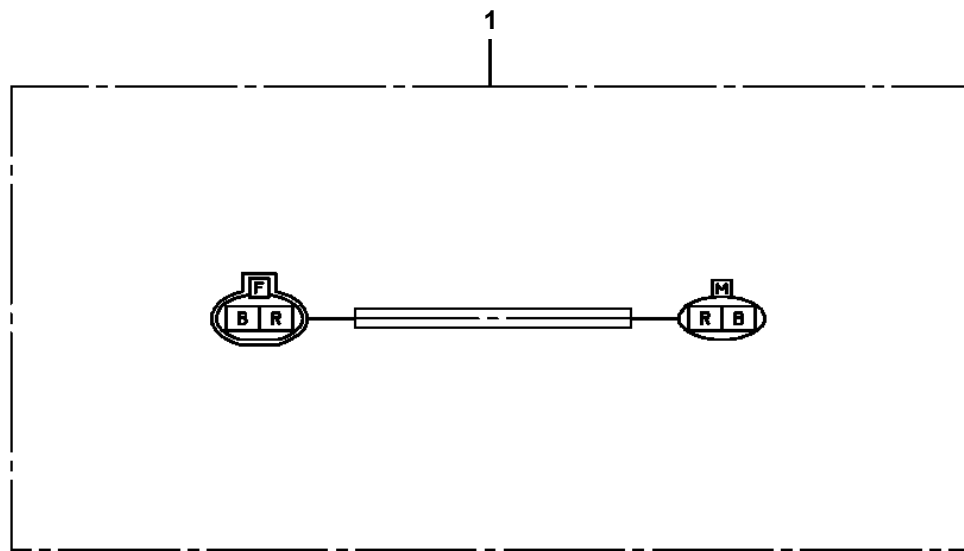
100



AT-146-4A 43011830102 UPPER, LOWER, HINO 2KG-XZU600F-TKFSE6

Pos No.	Parts No	Parts Name	Qty	Unit	Technical Data	Serial No (Start)	Serial No (End)	Remarks	Pages
1	42422883100	HARNESS	1						

AT-146-4A 43011830102 UPPER, LOWER, HINO 2KG-XZU600F-TKFSE6
PH5034148-00 HARNESS

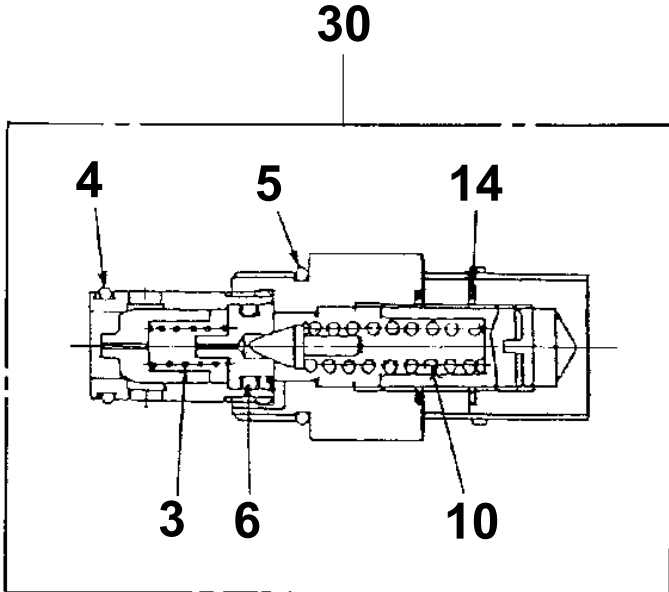


AT-146-4A 43011830102 UPPER, LOWER, HINO 2KG-XZU600F-TKFSE6

Pos No.	Parts No	Parts Name	Qty	Unit	Technical Data	Serial No (Start)	Serial No (End)	Remarks	Pages
30	82182809623	DIODE	1						
35	82182500020	DIODE	1						
100	42938000100	HARNESS	1						

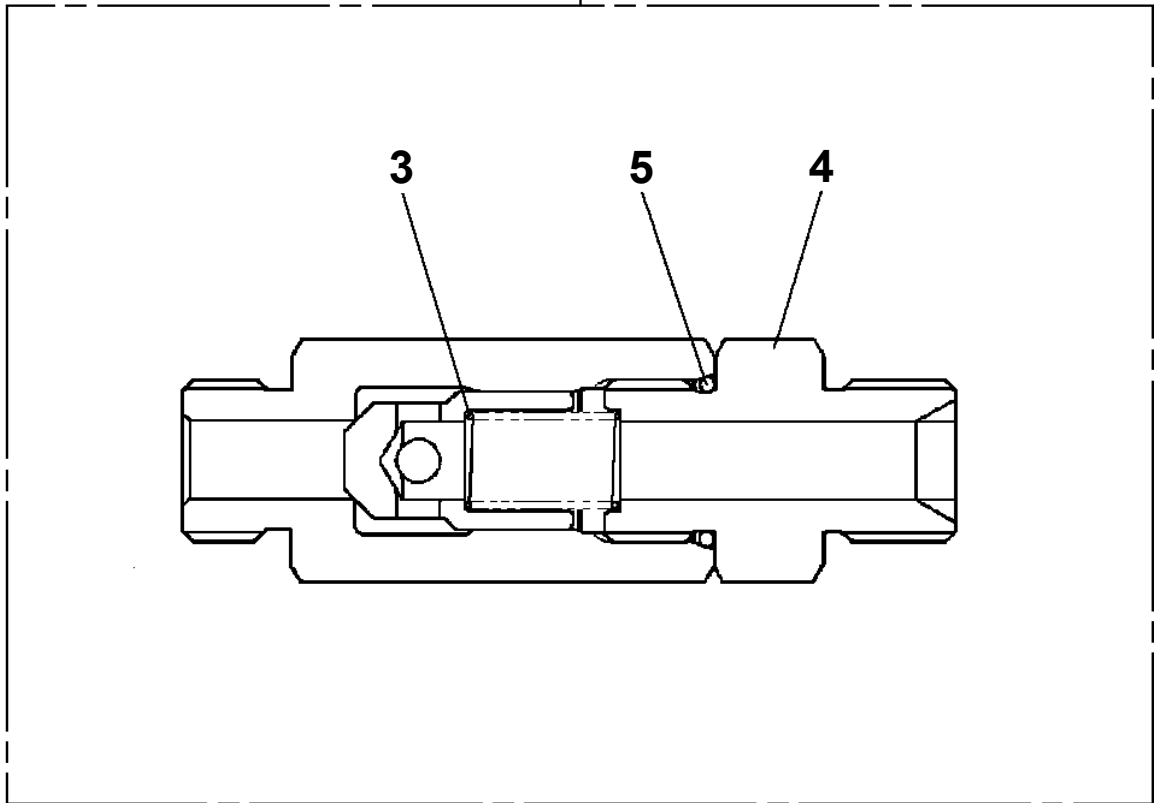
**AT-146-4A 43011830102 UPPER, LOWER, HINO 2KG-XZU600F-TKFSE6
PI1100061-00 VALVE,RELIEF**

Assembly Name VALVE, RELIEF



**AT-146-4A 43011830102 UPPER, LOWER, HINO 2KG-XZU600F-TKFSE6
PI1140188-00 VALVE,CHECK**

50



AT-146-4A 43011830102 UPPER, LOWER, HINO 2KG-XZU600F-TKFSE6

Pos No.	Parts No	Parts Name	Qty	Unit	Technical Data	Serial No (Start)	Serial No (End)	Remarks	Pa
2	91002801400	O-RING	2		1B P14				
6	91002800700	O-RING	1		1B P7				
50	36623930000	VALVE,PILOT CHECK	1						

AT-146-4A 43011830102 UPPER, LOWER, HINO 2KG-XZU600F-TKFSE6 PJ5000004-00 BOOSTER UNIT

ブースタ ユニツト BOOSTER UNIT

符号	日本語名称	英語名称	備考
1	ブースタASSY,エア	BOOSTER ASSY,AIR	エア,40t,仮保持付
2	ブースタASSY,エレキ	BOOSTER ASSY,ELECTRICITY	七星科学(4種) エレキ,40t,仮保持付
3	ブースタASSY,エレキ	BOOSTER ASSY,ELECTRICITY	三和(4種) エレキ,40t,仮保持付
4	セレクタASSY,ブースタ{エア}	SELECTOR ASSY,BOOSTER	高圧切換 エア,40t,仮保持付
5	セレクタASSY,ブースタ{エレキ}	SELECTOR ASSY,BOOSTER	高圧切換,七星科学(4種) エレキ,40t,仮保持付
6	セレクタASSY,ブースタ{エレキ}	SELECTOR ASSY,BOOSTER	高圧切換,三和(4種) エレキ,40t,仮保持付
7	ノン,ブースタASSY	NOTHING,BOOSTER ASSY	ブースタ無
8	セレクタASSY,ブースタ{エレキ}	SELECTOR ASSY,BOOSTER	高圧切換,七星科学(4種),エレキ,40t,仮保持付 九電工仕様(春日電機小型ベントスイッチ3ホタン)
9	セレクタASSY,ブースタ{エレキ}	SELECTOR ASSY,BOOSTER	高圧切換,三和(4種×2) エレキ,40t,仮保持付
10	セレクタASSY,ブースタ{エア}	SELECTOR ASSY,BOOSTER	高圧切換 エア(2系統),40t,仮保持付
11	セレクタASSY,ブースタ{エア}	SELECTOR ASSY,BOOSTER	高圧切換 エア(ハネルカプラ接続),40t,仮保持付
12	ブースタASSY,エア	BOOSTER ASSY,AIR	高圧切換無 エア(ハネルカプラ接続),40t,仮保持付
13	ブースタASSY,エレキ	BOOSTER ASSY,ELECTRICITY	七星科学(4種),エレキ,40t,仮保持付 九電工仕様(春日電機小型ベントスイッチ3ホタン)

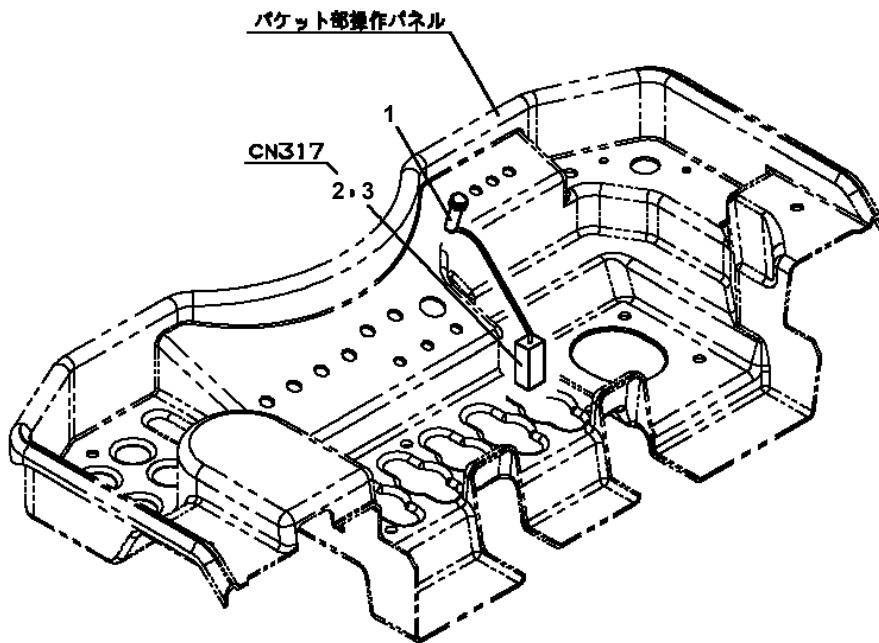
適用製造番号によっては取り付けがないものもあります。

MACHINES OF SOME SERIAL NO. ARE NOT EQUIPPED WITH THESE PARTS.

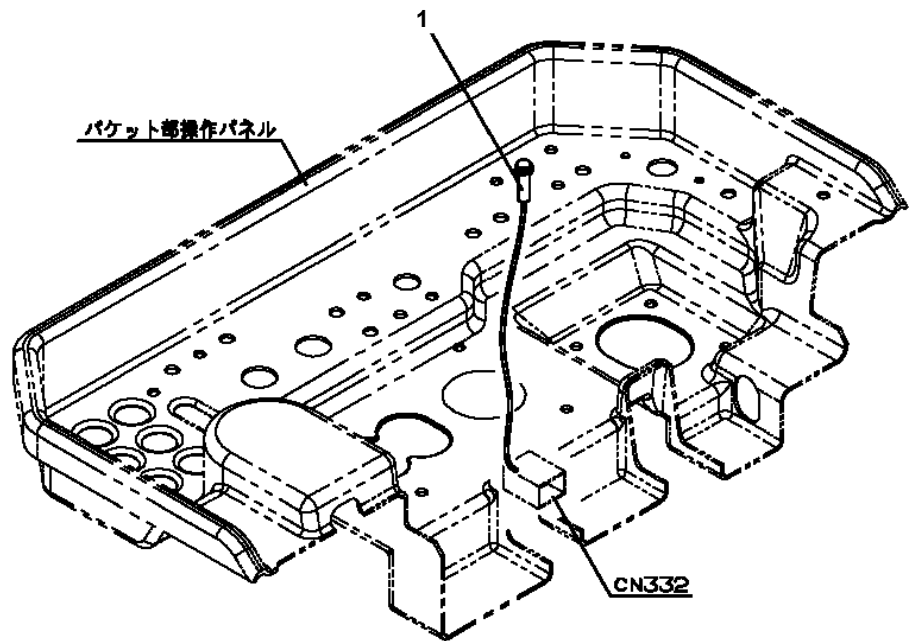
AT-146-4A 43011830102 UPPER, LOWER, HINO 2KG-XZU600F-TKFSE6

Pos No.	Parts No	Parts Name	Qty	Unit	Technical Data	Serial No (Start)	Serial No (End)	Remarks	Pages
1	82198301221	COVER	6						
2	91810130240	FASTENER	6						

AT-146-4A 43011830102 UPPER, LOWER, HINO 2KG-XZU600F-TKFSE6
PL5020151-00 LAMP ASSY (BATTERY INDICATOR)



TEタイプ

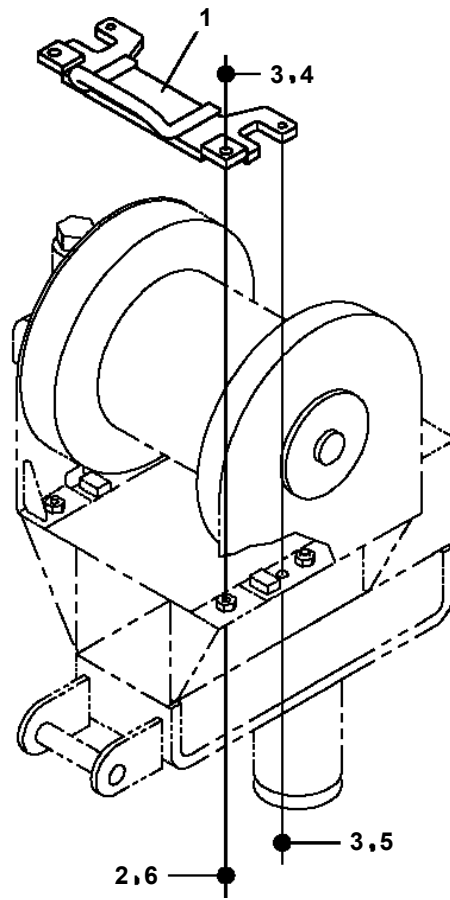


CEタイプ

AT-146-4A 43011830102 UPPER, LOWER, HINO 2KG-XZU600F-TKFSE6

Pos No.	Parts No	Parts Name	Qty	Unit	Technical Data	Serial No (Start)	Serial No (End)
1	36028779510	CYLINDER ASSY	1				
2	90302042401	WASHER,SPRING	1		24		
3	90209402400	NUT	1		M24		
4	36028370010	PISTON	1				
5	91350207500	BEARING,PLAIN (WITH PACKINGX2)	1				
6	91002802000	O-RING	1		1B P20		
7	36025149521	ROD ASSY	1				
8	36026159530	COVER,ROD	1				
9	80612110400	RING,RITAINING	1		AR40		
10	91002907000	O-RING	1		1B G70		
11	80801003525	BEARING,PLAIN	1				
12	91694003500	PACKING	1				
13	91410203501	RING,BACKUP	1				
14	91660003501	SEAL,DUST	1				
15	36025140010	COVER	1				
16	80541700030	BEARING,SPHERICAL (NTN)	1		SA4-30B		
17	80820003030	BEARING,PLAIN	2				
18	91002907500	O-RING	1		1B G75		
19	82455106000	NIPPLE,GREASE	1		A-M6F FE		
20	91001003500	O-RING	1		S35		
21	91001206500	O-RING	1		1A G65		
22	90303072401	WASHER,PLAIN	1		24		
40	36026489900	PACKING SET	1		35X75		
62	42360120030	CONNECTOR	1				
71	82100002132	CONNECTOR	1				
100	42491440000	LEVELING ASSY,LOWER	1				

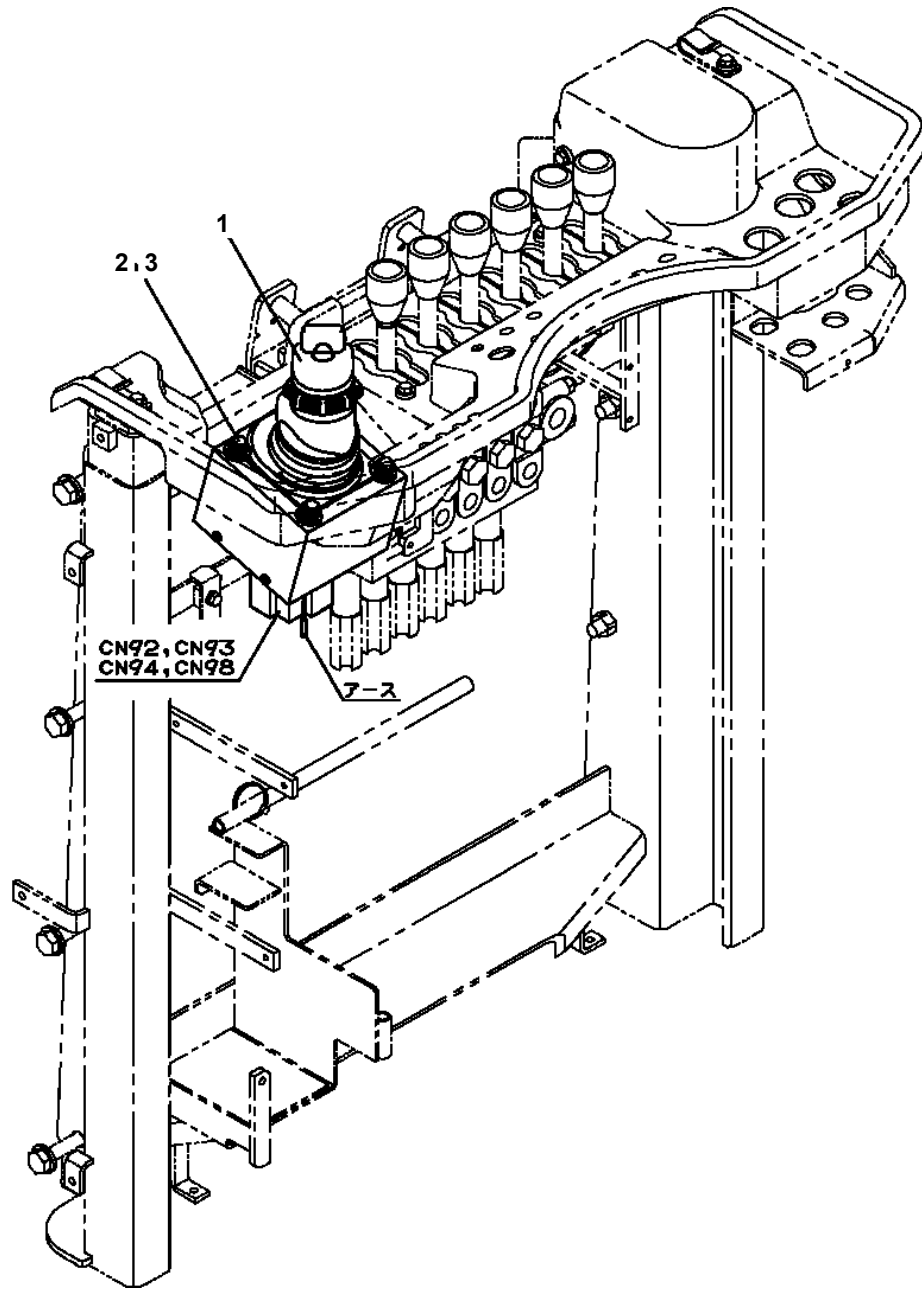
**AT-146-4A 43011830102 UPPER, LOWER, HINO 2KG-XZU600F-TKFSE6
PM5150778-00 MODIFICATION ASSY (YURTEC TYPE/WINCH HOOK)**



AT-146-4A 43011830102 UPPER, LOWER, HINO 2KG-XZU600F-TKFSE6

Pos No.	Parts No	Parts Name	Qty	Unit	Technical Data	Serial No (Start)	Serial No (End)	Remarks	Pages
1	82401800080	PLUG (FOR M8)	2						

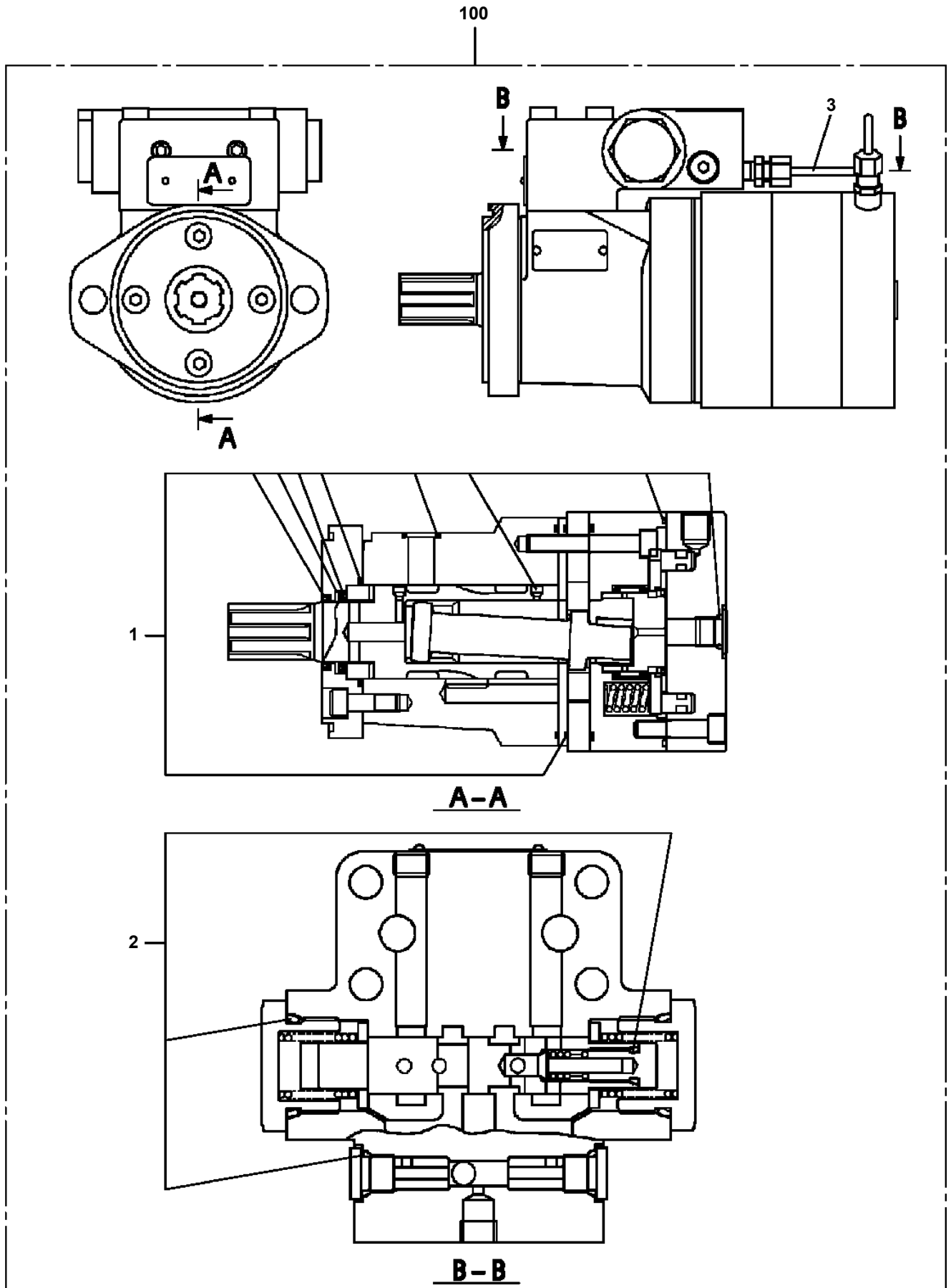
**AT-146-4A 43011830102 UPPER, LOWER, HINO 2KG-XZU600F-TKFSE6
PM5150989-00 MODIFICATION ASSY (THUMB ENABLE)**



AT-146-4A 43011830102 UPPER, LOWER, HINO 2KG-XZU600F-TKFSE6

Pos No.	Parts No	Parts Name	Qty	Unit	Technical Data	Serial No (Start)	Serial No (End)	Remarks	Pages
1	42333883100	PANEL	1						
2	90183106015	BOLT	3		M6X15				
3	37000568730	PLATE	5		T=1.5				
4	42332151010	SUPPORT	2						
5	90302040601	WASHER,SPRING	7		6				
6	90201200600	NUT	7		M6				
7	90303070601	WASHER,PLAIN	7		6				
8	90183106020	BOLT	9		M6X20				
9	82467300105	PLUG	4						
10	82467300103	PLUG	3						
11	82467300101	PLUG	2						
12	82467300112	PLUG	1						
13	91810130240	FASTENER	4						
14	91850310405	CLAMP (BLACK)	1						
15	89630701000	HOSE,VINYL	1		10X15,1M				
16	91803600160	CLIP	1		D=11-16				

AT-146-4A 43011830102 UPPER, LOWER, HINO 2KG-XZU600F-TKFSE6
PM5210007-01 MOTOR ASSY,OIL



CLICK HERE TO **DOWNLOAD** THE COMPLETE MANUAL

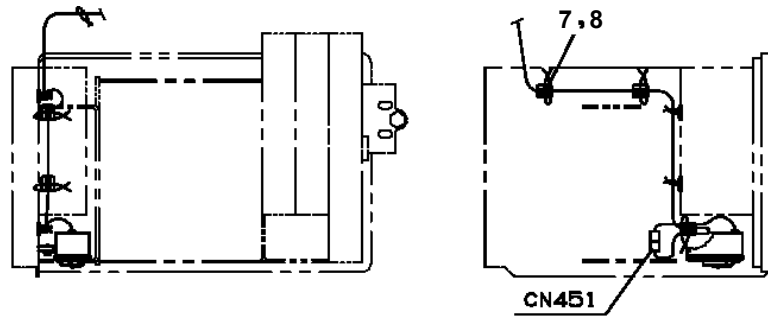
- Thank you very much for reading the preview of the manual.
- You can download the complete manual from: www.heydownloads.com by clicking the link below



- Please note: If there is no response to CLICKING the link, please download this PDF first and then click on it.

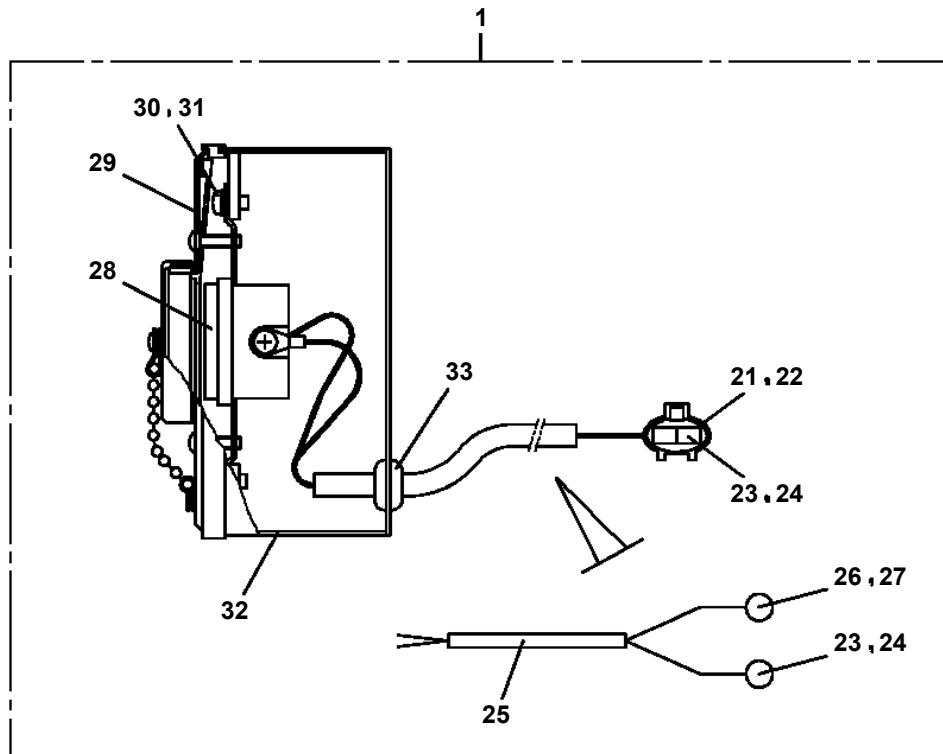
CLICK HERE TO **DOWNLOAD** THE COMPLETE MANUAL

AT-146-4A 43011830102 UPPER, LOWER, HINO 2KG-XZU600F-TKFSE6
PN1020065-03 POWER SOURCE (24V)



A

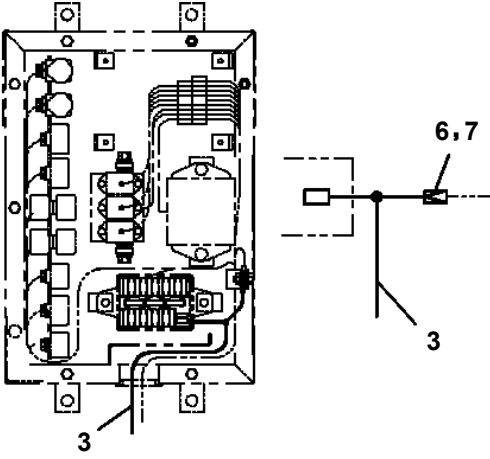
左後ウェイト付きサイドガードの場合の配線経路



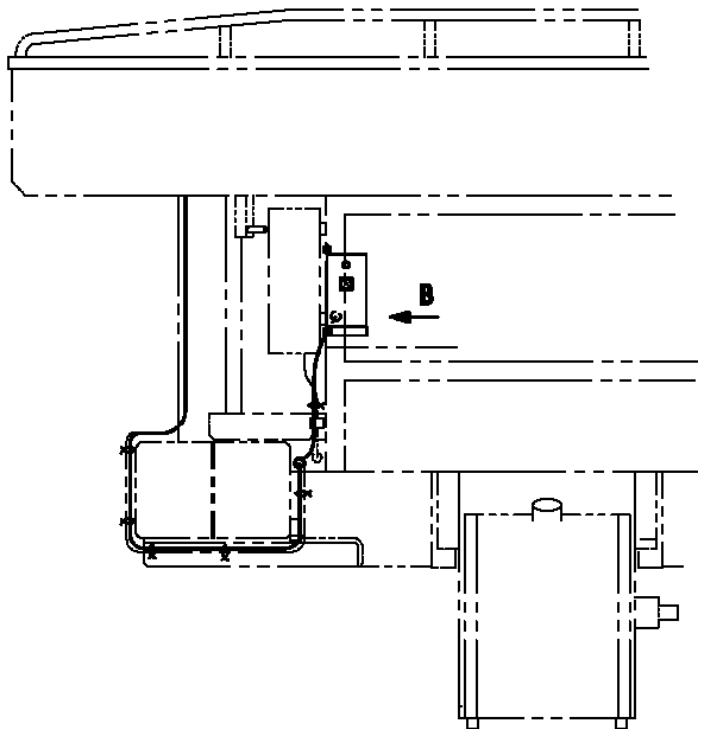
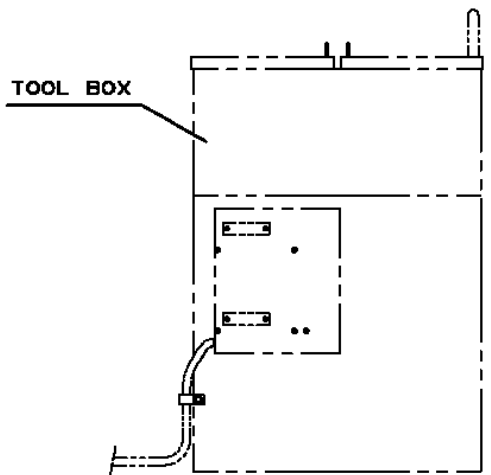
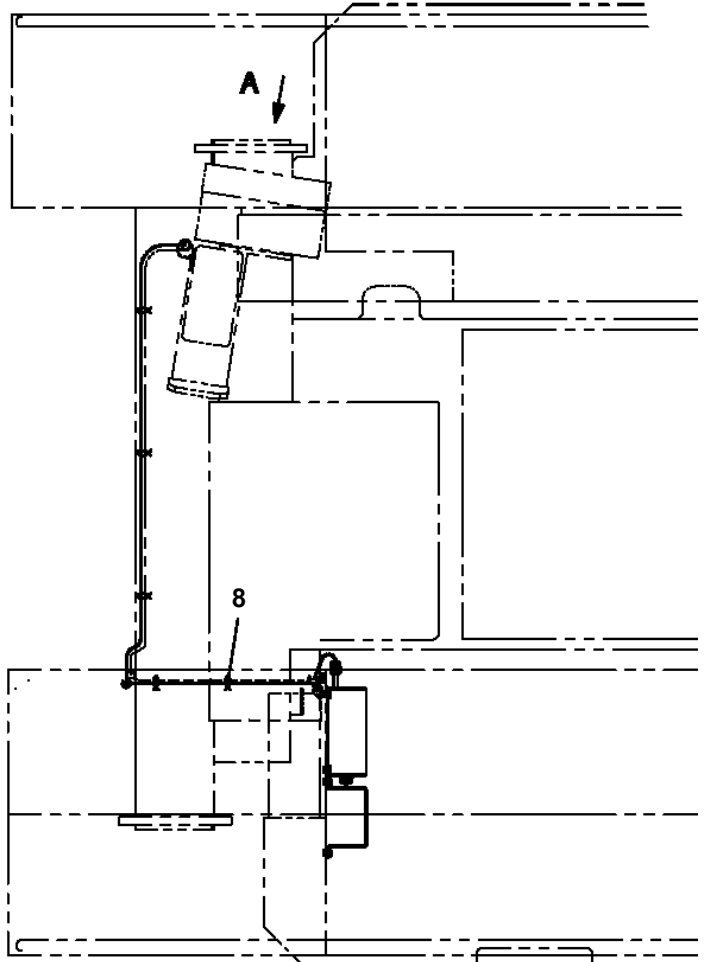
AT-146-4A 43011830102 UPPER, LOWER, HINO 2KG-XZU600F-TKFSE6

Pos No.	Parts No	Parts Name	Qty	Unit	Technical Data	Serial No (Start)	Serial No (End)	Remarks	Pages
7	82105220236	SWITCH,TOGGLE	1						
20	42504752200	SWITCH ASSY	1						

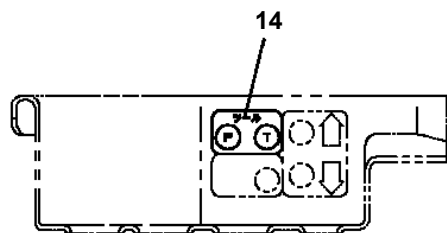
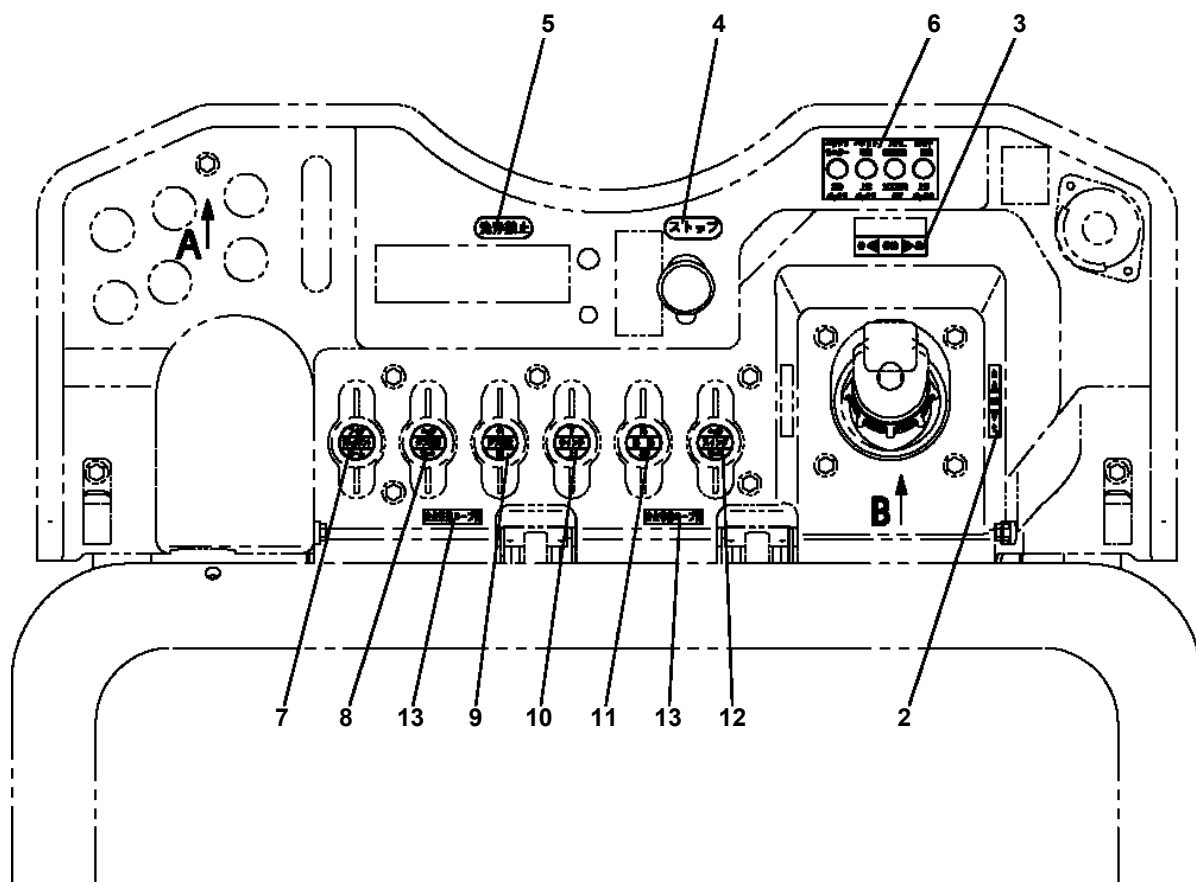
**AT-146-4A 43011830102 UPPER, LOWER, HINO 2KG-XZU600F-TKFSE6
PN1360001-01 CHARGER INSTALLATION (MECHANICAL ARM)**



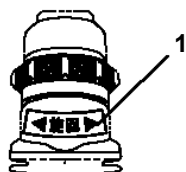
A INSIDE OF BOX,
RELAY (BOOM REST)



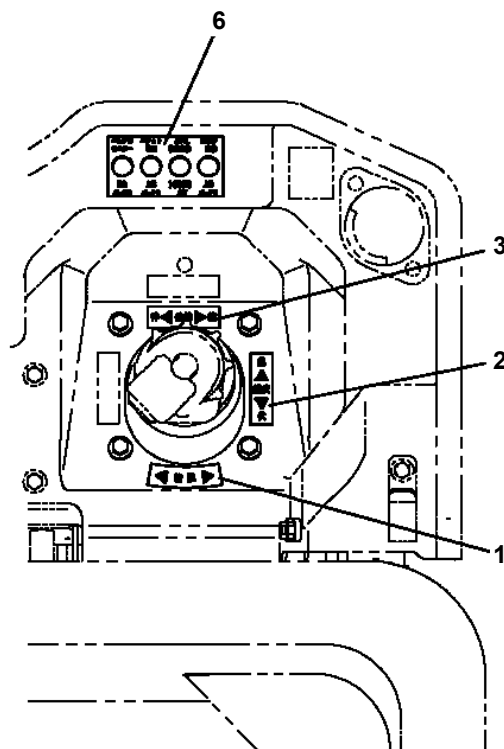
AT-146-4A 43011830102 UPPER, LOWER, HINO 2KG-XZU600F-TKFSE6
 PN5011482-01 NAME PLATE ASSY (BUCKET)



A



B

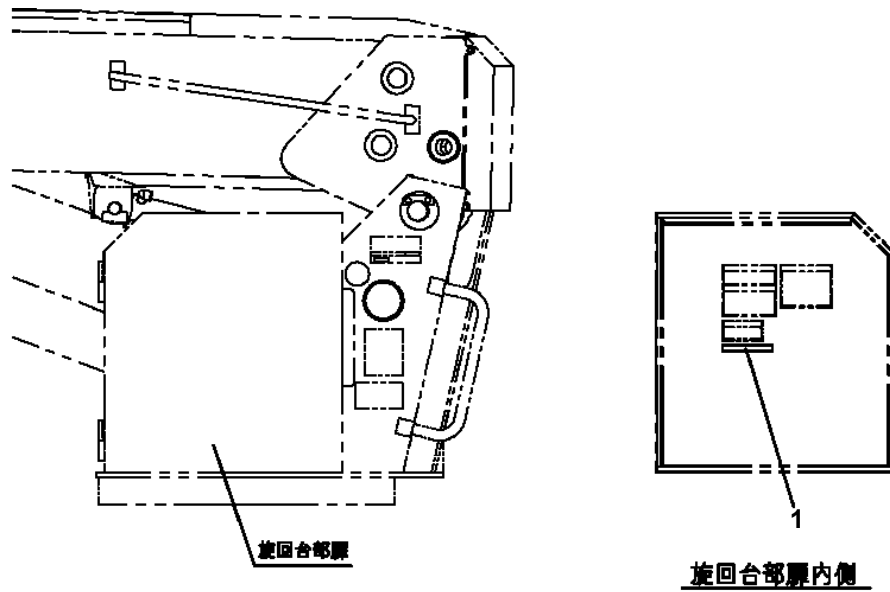


イネーブルSW根指押シタイプ
 三軸ジョイスティックレバーの場合

AT-146-4A 43011830102 UPPER, LOWER, HINO 2KG-XZU600F-TKFSE6

Pos No.	Parts No	Parts Name	Qty	Unit	Technical Data	Serial No (Start)	Serial N
1	42397041010	PLATE,NAME	1				
3	42395131010	PLATE,NAME (AT-146TE)	1				
4	(*****)	PLATE,NAME (LIVE-LINE WORKING DEVICE)	1				
5	37002202120	PLATE,NAME (HIGH/LOW)	1				
6	37002201980	PLATE,NAME	1				
7	12117140000	PLATE,NAME (GREASE)	13				
8	42591001041	PLATE,NAME	1				
9	42394271310	PLATE,NAME (MARKING)	8				
10	42591001010	PLATE,NAME	1				
11	42393312020	PLATE (NON-SLIP)	4				
12	42398291050	PLATE,NAME (MARKING)	4				
13	42591001020	PLATE,NAME	1				
14	42392583100	PLATE,CAUTION	1				
15	42392583110	PLATE,CAUTION	1				
16	42394782010	PLATE,CAUTION	1				229681
	42591004010	PLATE,CAUTION	1			229682	
17	42391720040	PLATE,CAUTION	1				
18	42392583200	PLATE,CAUTION	1				
19	42591001030	PLATE,CAUTION	1				
41	37002228460	PLATE,NAME (BLUE & BLACK)	2				
42	37002228470	PLATE,NAME (WHITE & WHITE)	2				

AT-146-4A 43011830102 UPPER, LOWER, HINO 2KG-XZU600F-TKFSE6
PN5012084-00 NAME PLATE ASSY (AMC DATA)



1

AMC DATA 361-977-34100
425.145.21100

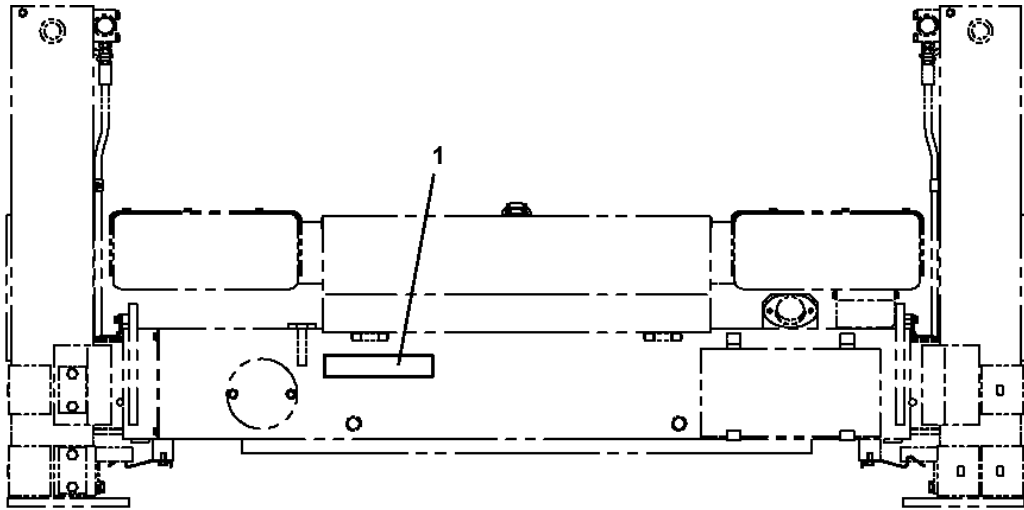
AT-146-4A 43011830102 UPPER, LOWER, HINO 2KG-XZU600F-TKFSE6

Pos No.	Parts No	Parts Name	Qty	Unit	Technical Data	Serial No (Start)	Serial No (End)	Remarks	Pages
1	42398294020	PLATE,NAME	1						
2	42398294030	PLATE,NAME	1						
3	42394191050	PLATE,NAME	1						
4	42394191060	PLATE,NAME	1						
5	42394191070	PLATE,NAME	1						
6	42394191080	PLATE,NAME	1						
7	42394191090	PLATE,NAME	1						
8	37002201980	PLATE,NAME	1						
9	42331782100	PLATE,NAME	1						
10	42398131020	PLATE,NAME	1						
11	42475910010	PLATE,NAME	3						

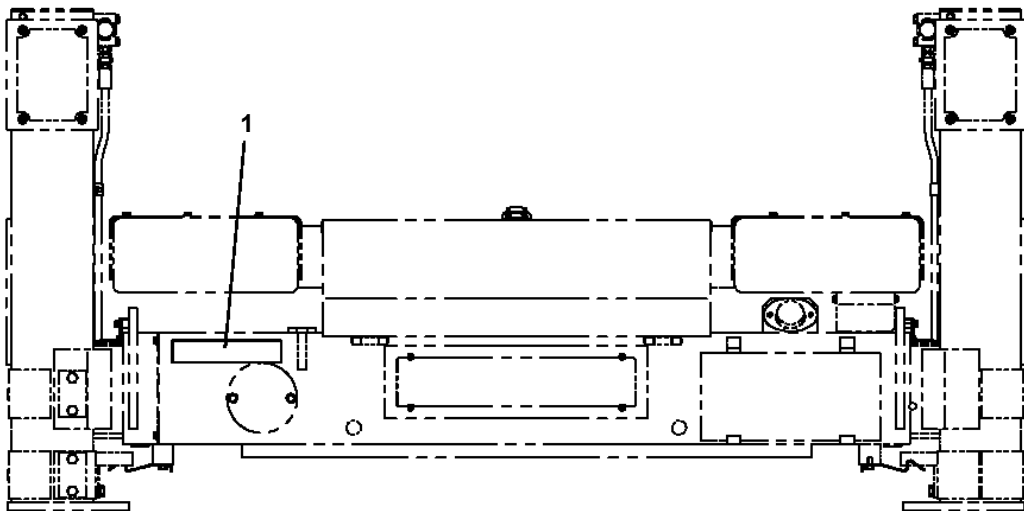
AT-146-4A 43011830102 UPPER, LOWER, HINO 2KG-XZU600F-TKFSE6

Pos No.	Parts No	Parts Name	Qty	Unit	Technical Data	Serial No (Start)	Serial M
1	(*****)	PLATE ASSY,NAME (VEHICLE HEIGHT 3.4M)	1				
2	(*****)	PLATE ASSY,NAME (ANTENNA)	1				
11	(*****)	NAME PLATE ASSY (TELEMATICS)	1				
12	(*****)	NAME PLATE ASSY (CAUTION FOR COLLISION)	1				

AT-146-4A 43011830102 UPPER, LOWER, HINO 2KG-XZU600F-TKFSE6
PO1014059-00 PLATE ASSY,NAME (LOADING CAPACITY 350KG)



車両後部



(大型後部反射板付の場合)

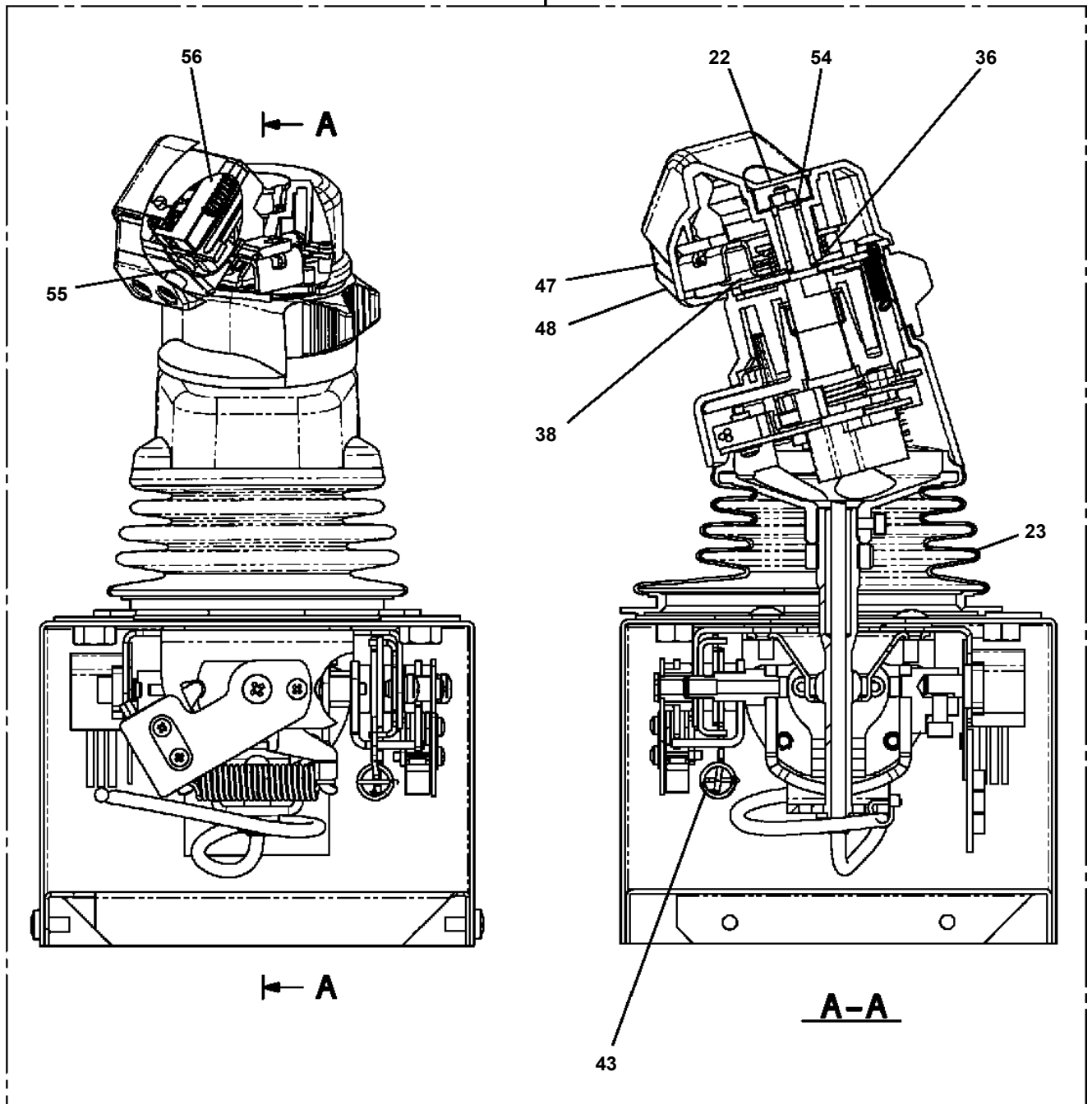
車両後部

AT-146-4A 43011830102 UPPER, LOWER, HINO 2KG-XZU600F-TKFSE6

Pos No.	Parts No	Parts Name	Qty	Unit	Technical Data	Serial No (Start)	Serial No (End)	Remarks	Pages
1	82444100250	PLATE,NAME	1						

AT-146-4A 43011830102 UPPER, LOWER, HINO 2KG-XZU600F-TKFSE6
PO5010028-01 OPE.ASSY (LEVER,CONTROL)

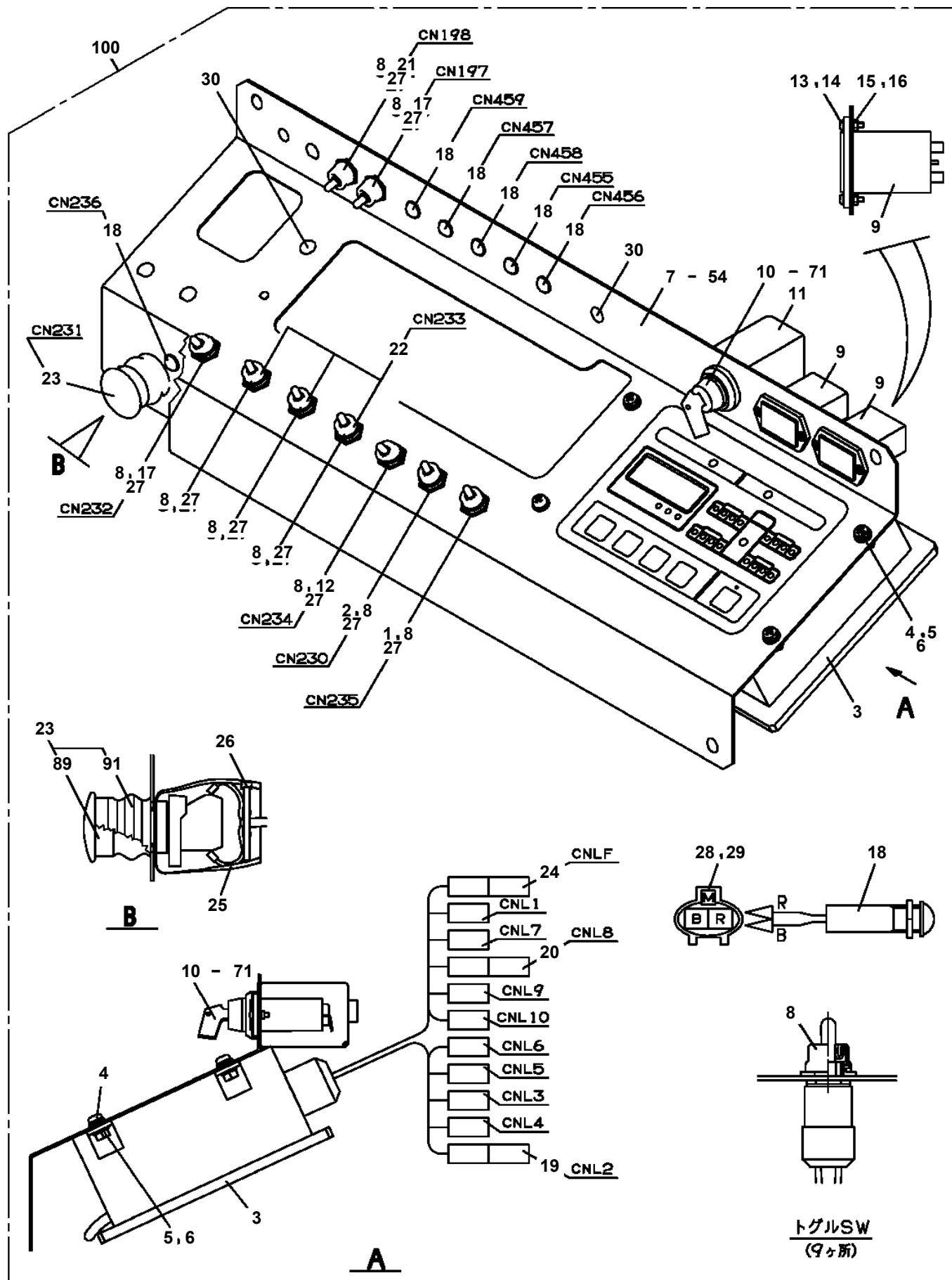
100



AT-146-4A 43011830102 UPPER, LOWER, HINO 2KG-XZU600F-TKFSE6

Pos No.	Parts No	Parts Name	Qty	Unit	Technical Data	Serial No (Start)	Serial No (End)	Rema
1	42333152001	OPE.ASSY (LEVER,CONTROL)	1					
2	90183106015	BOLT	4		M6X15			
3	37000568730	PLATE	4		T=1.5			
4	42332671010	PLATE	1					

AT-146-4A 43011830102 UPPER, LOWER, HINO 2KG-XZU600F-TKFSE6
 PP5020088-00 PANEL ASSY,CONTROL



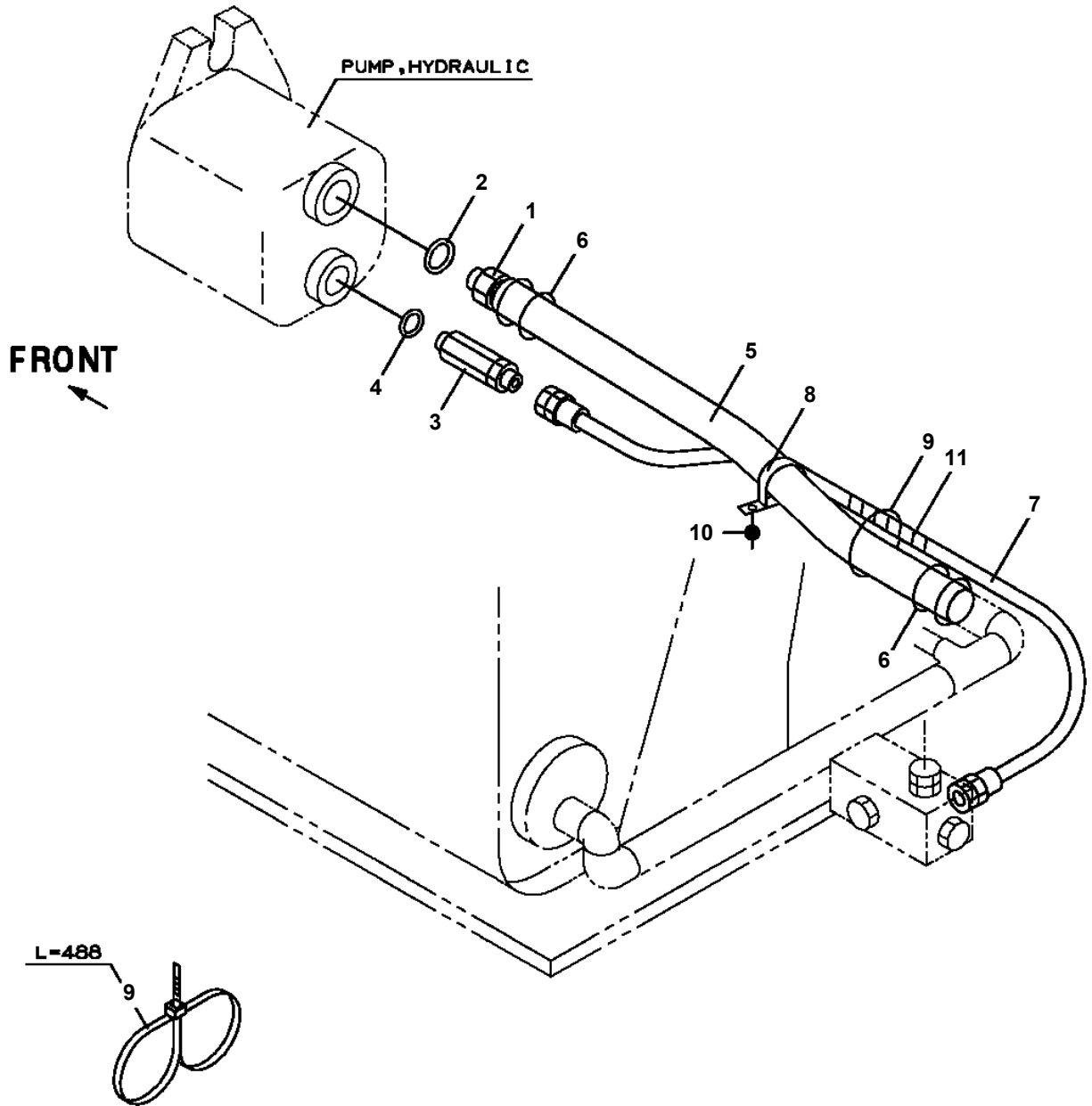
AT-146-4A 43011830102 UPPER, LOWER, HINO 2KG-XZU600F-TKFSE6

Pos No.	Parts No	Parts Name	Qty	Unit	Technical Data	Serial No (Start)	Serial No (End)	Remark
1	37004100040	PUMP,GREASE (DOMESTIC)	1					

AT-146-4A 43011830102 UPPER, LOWER, HINO 2KG-XZU600F-TKFSE6

Pos No.	Parts No	Parts Name	Qty	Unit	Technical Data	Serial No (Start)	Serial No (End)	Remarks	Pa
1	81408000130	PIPE,STEEL	4	M	10X1.8T				
2	81408000130	PIPE,STEEL	4	M	10X1.8T				
3	81408000241	PIPE,STEEL	4	M	18X1.9T				
4	81408000160	PIPE,STEEL	4	M	12X1.4T				
5	81408000210	PIPE,STEEL	4	M	15X2.0T				
6	80400160201	JOINT	2						
7	37002475340	HOSE <L=1720.	1						
8	80320010090	FITTING	1		KUD15-030N				
9	80320010080	FITTING	1		KUD12-030N				
10	80320010140	FITTING	1		KUD18-040N				
11	42346823001	JOINT	1						
12	37002488260	HOSE	4		L=9680		229717		
	37012410890	HOSE	4		L=9680	229718			
13	80400160127	JOINT	4						
14	91002801100	O-RING	4		1B P11				
15	37002488250	HOSE	2		L=9380				
16	80491303030	JOINT (WITH O-RING)	1		L,PF3/8-PF3/8				
17	42346821001	JOINT	1						
18	42343740100	COVER	1						
19	80192486010	SCREW,MACHINE	4		M6X10				
20	90101210020	BOLT	4		M10X20				
21	90302041001	WASHER,SPRING	4		10				
22	82420403213	TRIM	1	M					
23	80320020080	FITTING	1		KUF12-030N				
24	80320020090	FITTING	1		KUF15-030N				
25	80320020050	FITTING	2		KUF10-020N				
26	37000919790	JOINT	2						
27	91002801400	O-RING	2		1B P14				
28	42346820401	CLAMP	3						
29	42346820100	SUPPORT	1						
30	90180208020	BOLT,BUTTON	2		M8X20				
31	90302040801	WASHER,SPRING	23		8				
32	90171108018	BOLT	4		M8X18				
33	42346820201	ROLLER ASSY	1						
35	37000587400	PLATE	2		T=6				
37	42347690100	SHEAVE ASSY	1						
39	90101208045	BOLT	2		M8X45				
40	90101208012	BOLT	2		M8X12				
41	42344970800	SUPPORT	1						
43	37000573430	PLATE	N		T=1				
44	90203201200	NUT	4		M12				
45	90101208020	BOLT	3		M8X20				
46	37000312510	SPACER	3		L=27.5				
47	90303071201	WASHER,PLAIN	4		12				
48	90302041201	WASHER,SPRING	2		12				
49	42347690200	CLAMP	1						
50	42347690300	CLAMP	1						
51	90303070801	WASHER,PLAIN	2		8				
52	42346820150	SUPPORT	1						
53	90201200800	NUT	9		M8				
54	37000304160	SPACER	8		L=30				
55	37000587440	PLATE	2		T=6				
57	91810132530	FASTENER	2						
58	37000601410	CUSHION	2						
59	37000601110	CLAMP	1						
60	90101208035	BOLT	1		M8X35				
61	37002474310	HOSE	1		L=1850				
62	82100001413	TUBE,SPIRAL	1	M	SE-15BK		229717		
81	91002801400	O-RING	5		1B P14				
95	80316070060	PLUG	2		PF3/8				
111	42346820210	SUPPORT	1						
112	37000189860	PIN	1						
113	42340234240	ROLLER	3		W=9				

**AT-146-4A 43011830102 UPPER, LOWER, HINO 2KG-XZU600F-TKFSE6
PP6210012-00 PIPING ASSY,MOUNTING**



AT-146-4A 43011830102 UPPER, LOWER, HINO 2KG-XZU600F-TKFSE6

Pos No.	Parts No	Parts Name	Qty	Unit	Technical Data	Serial No (Start)	Serial No (End)	Rem
1	80303130101	FITTING,ELBOW	1		KLO10-020E			
2	42342460320	ORIFICE	1		1.0			
4	91002801100	O-RING	2		1B P11			
5	42311894100	JOINT	1					
6	42311894200	JOINT	1					
7	80303130121	FITTING,ELBOW (WITH O-RING)	2		KLO10-030E			
9	80400160223	JOINT	1					
10	82420912713	TRIM	1	M				
11	91810132530	FASTENER	9					
12	37002403170	HOSE	1		L=2100			
13	82100001411	TUBE,SPIRAL	3	M	SE-08BK			
14	82100001412	TUBE,SPIRAL	1	M	SE-12BK			
15	42311894400	JOINT	1					
16	42311894500	JOINT	1					
17	37000927860	JOINT	1					
18	37002489970	HOSE	2		L=2110			
21	82100001819	TUBE,SPIRAL	1	M	SE-18BK			
23	37002453590	HOSE	1		L=1950			
24	37002418420	HOSE	1		L=2700			
25	37002418430	HOSE	1		L=2780			
26	37002482840	HOSE	1		L=2720			
27	37002413870	HOSE	1		L=2160			
51	91002801100	O-RING	1		1B P11			
61	91002801400	O-RING	2		1B P14			

AT-146-4A 43011830102 UPPER, LOWER, HINO 2KG-XZU600F-TKFSE6

Pos No.	Parts No	Parts Name	Qty	Unit	Technical Data	Serial No (Start)	Serial No (End)	Remarks	P
1	(*****)	BOOSTER ASSY	1						00
2	(*****)	ELEC.ASSY (BOOSTER)	1						00
3	(*****)	PIPING ASSY (BOOSTER)	1						00

**AT-146-4A 43011830102 UPPER, LOWER, HINO 2KG-XZU600F-TKFSE6
PS5080021-00 SELECTOR ASSY,BOOSTER (AIR,PANEL COUPLER)**

セレクタASSY,ブースタ(エア,パネルカプラセツソク)
SELECTOR ASSY,BOOSTER (AIR,PANEL COUPLER)

昇降バケット仕様・高圧切替付・エア操作(パネルカプラ接続)・ワンスイッチ対応

符号	日本語名称	英語名称	備考
1	ブースタASSY	BOOSTER ASSY	
2	ハイセンASSY(ブースタ)	ELEC.ASSY	
3	ハイカンASSY(ブースタ)	PIPING ASSY	

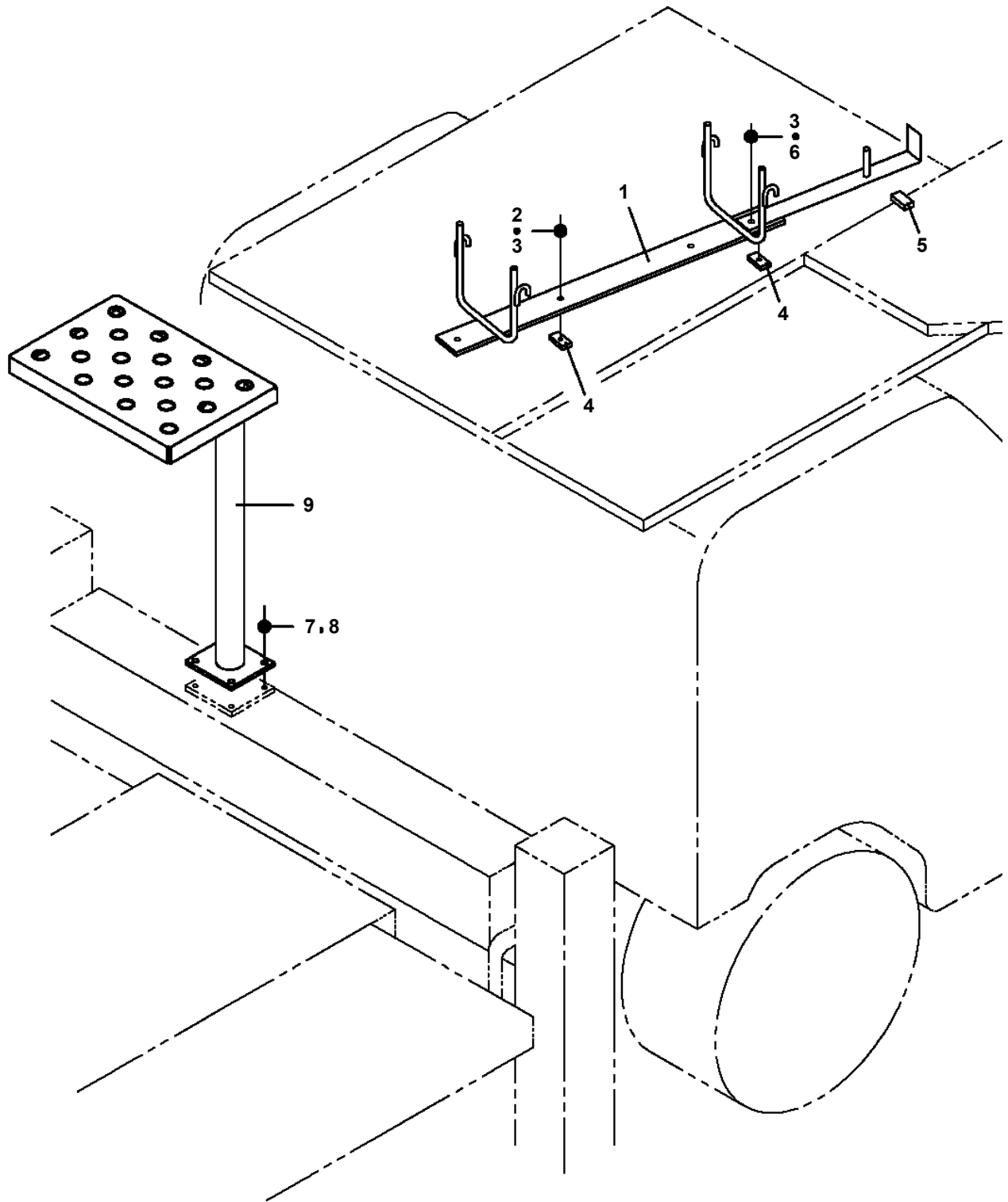
適用製造番号によっては取り付けがないものもあります。

MACHINES OF SOME SERIAL NO. ARE NOT EQUIPPED WITH THESE PARTS.

AT-146-4A 43011830102 UPPER, LOWER, HINO 2KG-XZU600F-TKFSE6

Pos No.	Parts No	Parts Name	Qty	Unit	Technical Data	Serial No (Start)	Serial No (End)	Remarks	Pages
1	42508370100	SUPPORT	1						
2	90101210030	BOLT	1		M10X30				
3	90302041001	WASHER,SPRING	2		10				
4	42500870200	PLATE	2						
5	42500870300	PLATE	1						
6	90101210035	BOLT	1		M10X35				

AT-146-4A 43011830102 UPPER, LOWER, HINO 2KG-XZU600F-TKFSE6
PS5420533-00 SUPPORT ASSY



AT-146-4A 43011830102 UPPER, LOWER, HINO 2KG-XZU600F-TKFSE6

Pos No.	Parts No	Parts Name	Qty	Unit	Technical Data	Se
1	82109833232	SWITCH	1			
2	82100002220	CABLE	3	M		
3	82100002173	CONNECTOR	1			
50	42509150000	SWITCH ASSY (ELEC.BOOSTER, REMOTE:2M,NANABOSI,KASUGA)	1			

**AT-146-4A 43011830102 UPPER, LOWER, HINO 2KG-XZU600F-TKFSE6
PS5530374-00 SWITCH ASSY (SAFETY ROPE INTERLOCK,WITHSELECTOR SW)**

スイッチASSY (セーフティロープ インターロック, ショウインキリカエSWアリ)
SWITCH ASSY (SAFETY ROPE INTERLOCK, WITH SELECTOR SW)

指示番号 KEY NO.	部品名称 PART NAME	備考 REMARK
1	ハイセンASSY ELEC.ASSY	補助ロープ規制スイッチ
3	ハイセンASSY ELEC.ASSY	補助ロープ規制乗員切替スイッチ

適用製造番号によっては取り付けがないものもあります。

MACHINES OF SOME SERIAL NO. ARE NOT EQUIPPED WITH THESE PARTS.

AT-146-4A 43011830102 UPPER, LOWER, HINO 2KG-XZU600F-TKFSE6

Pos No.	Parts No	Parts Name	Qty	Unit	Technical Data	Serial No (Start)	Serial No (End)	Remarks	Pages
1	42357711100	TERMINAL	2						
2	42356352301	SUPPORT	2						
3	90201200800	NUT	2		M8				
4	16311103000	SPRING	1						
5	42353342060	SCREW,SET	2		M6X35				
6	90201200600	NUT	2		M6				
7	90303071401	WASHER,PLAIN	4		14				
8	90101208045	BOLT	2		M8X45				
9	42356352500	SUPPORT	1						
10	42356352401	SPACER	2		L=20.5				
11	90720705200	SCREW,SET	2		M5X20				
12	90201200500	NUT	2		M5				
13	80820001010	BEARING,PLAIN	2						
14	80801001010	BEARING,PLAIN	2						
15	90302040801	WASHER,SPRING	2		8				
16	90303070801	WASHER,PLAIN	2		8				
17	80801001415	BEARING,PLAIN	2						
100	42357711000	TERMINAL ASSY	1						

AT-146-4A 43011830102 UPPER, LOWER, HINO 2KG-XZU600F-TKFSE6

Pos No.	Parts No	Parts Name	Qty	Unit	Technical Data	Serial No (Start)	Serial No (End)	R
2	80316100010	PLUG	4		GPF1/8			
3	91002800800	O-RING	6		1B P8			
4	36606760010	PLUG	2					
5	91002801400	O-RING	4		1B P14			
6	36606760020	SLEEVE	2					
7	36606760030	POPPET	2					
8	91000501300	O-RING	2		AS568-013			
9	37001202150	SPRING	2					
10	37001202160	SPRING	2					
11	36606760040	PLUG	2					
12	36606760051	PLUG	2					
13	91002802000	O-RING	2		1B P20			
14	91000501500	O-RING	2		AS568-015			
15	36606760061	SLEEVE	2					
16	36606760070	SPOOL	2					
17	91002800900	O-RING	2		1B P9			
19	91002801200	O-RING	2		1B P12			
20	91000501600	O-RING	2					
100	36606760000	VALVE ASSY,COUNTERBALANCE	1					

AT-146-4A 43011830102 UPPER, LOWER, HINO 2KG-XZU600F-TKFSE6 PV5450132-00 VIEW SYSTEM

ビュースystem VIEW SYSTEM

日野・トヨタ専用
市光工業製、ルームミラー型後方確認システム
カラーモニタ、DC12V、DC24V対応

符号	日本語名称	英語名称	備考
1	ハーツASSY,エレキ (モニタ)	PARTS ASSY,ELECTRICITY	
2	ハーツASSY,エレキ (カメラ)	PARTS ASSY,ELECTRICITY	

適用製造番号によっては取り付けがないものもあります。

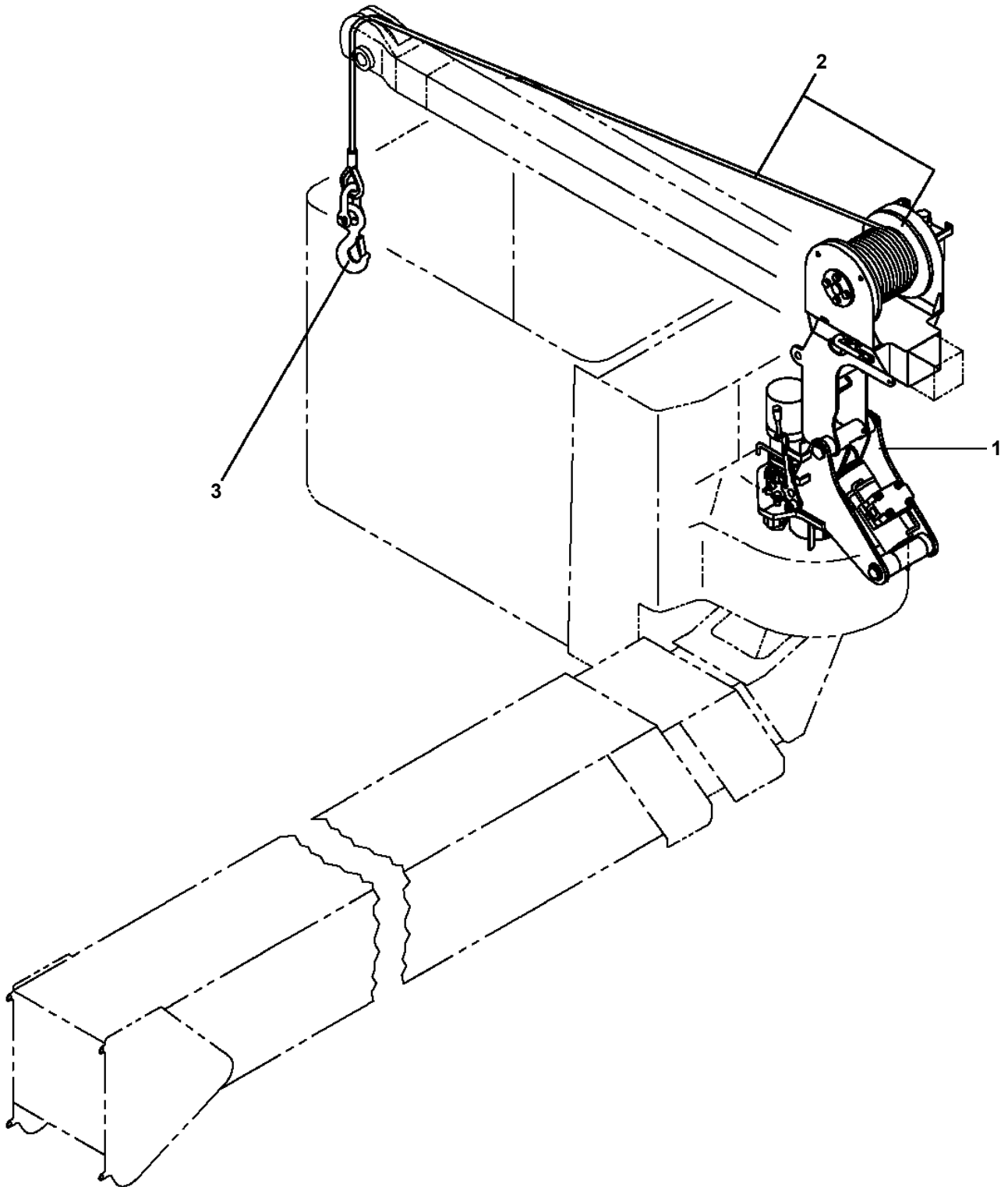
MACHINES OF SOME SERIAL NO. ARE NOT EQUIPPED WITH THESE PARTS.

AT-146-4A 43011830102 UPPER, LOWER, HINO 2KG-XZU600F-TKFSE6

Pos No.	Parts No	Parts Name	Qty	Unit	Technical Data	Serial No (Start)	Serial No (End)	Remarks
1	91991601013	ACCESSORIES (WRENCH)	1					

AT-146-4A 43011830102 UPPER, LOWER, HINO 2KG-XZU600F-TKFSE6
PW5060087-00 WINCH ASSY (JU/WITH FREE LOCK)

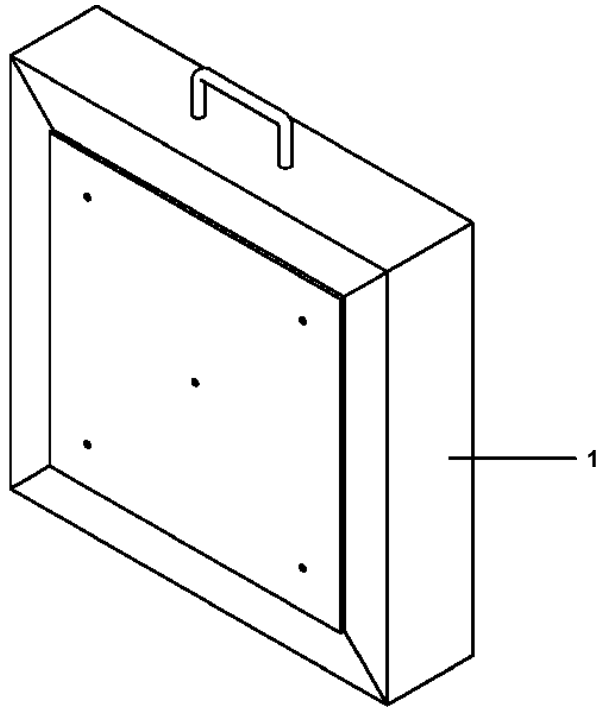
ウインチASSY (JU/フリーロック:ツキ)
WINCH ASSY (JU/WITH FREE LOCK)



AT-146-4A 43011830102 UPPER, LOWER, HINO 2KG-XZU600F-TKFSE6

Pos No.	Parts No	Parts Name	Qty	Unit	Technical Data	Serial No (Start)	Serial No (End)	Rema
1	(*****)	EARTH ASSY (8X20M, TOP CLIP)	1					
	(*****)	EARTH ASSY (8X10M, TOP CLIP)	1					
	(*****)	EARTH ASSY	1					
2	(*****)	TOOL BOX, LEFT (B SPEC.)	1					
3	(*****)	TOOL BOX, RIGHT (B SPEC.)	1					

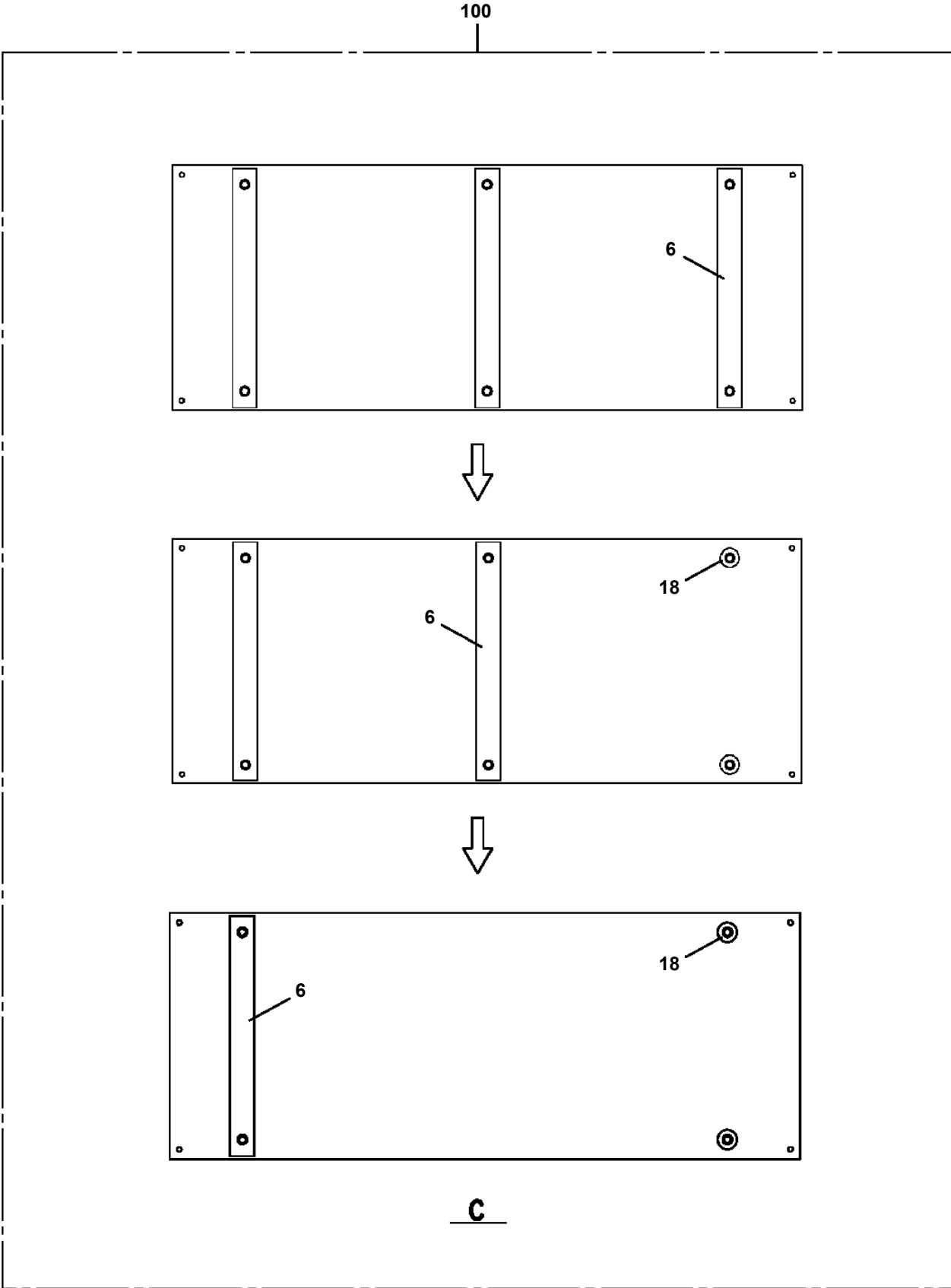
AT-146-4A 43011830102 UPPER, LOWER, HINO 2KG-XZU600F-TKFSE6
PX1270075-01 WOOD BLOCK (WITH RUBBER,T=80)



AT-146-4A 43011830102 UPPER, LOWER, HINO 2KG-XZU600F-TKFSE6

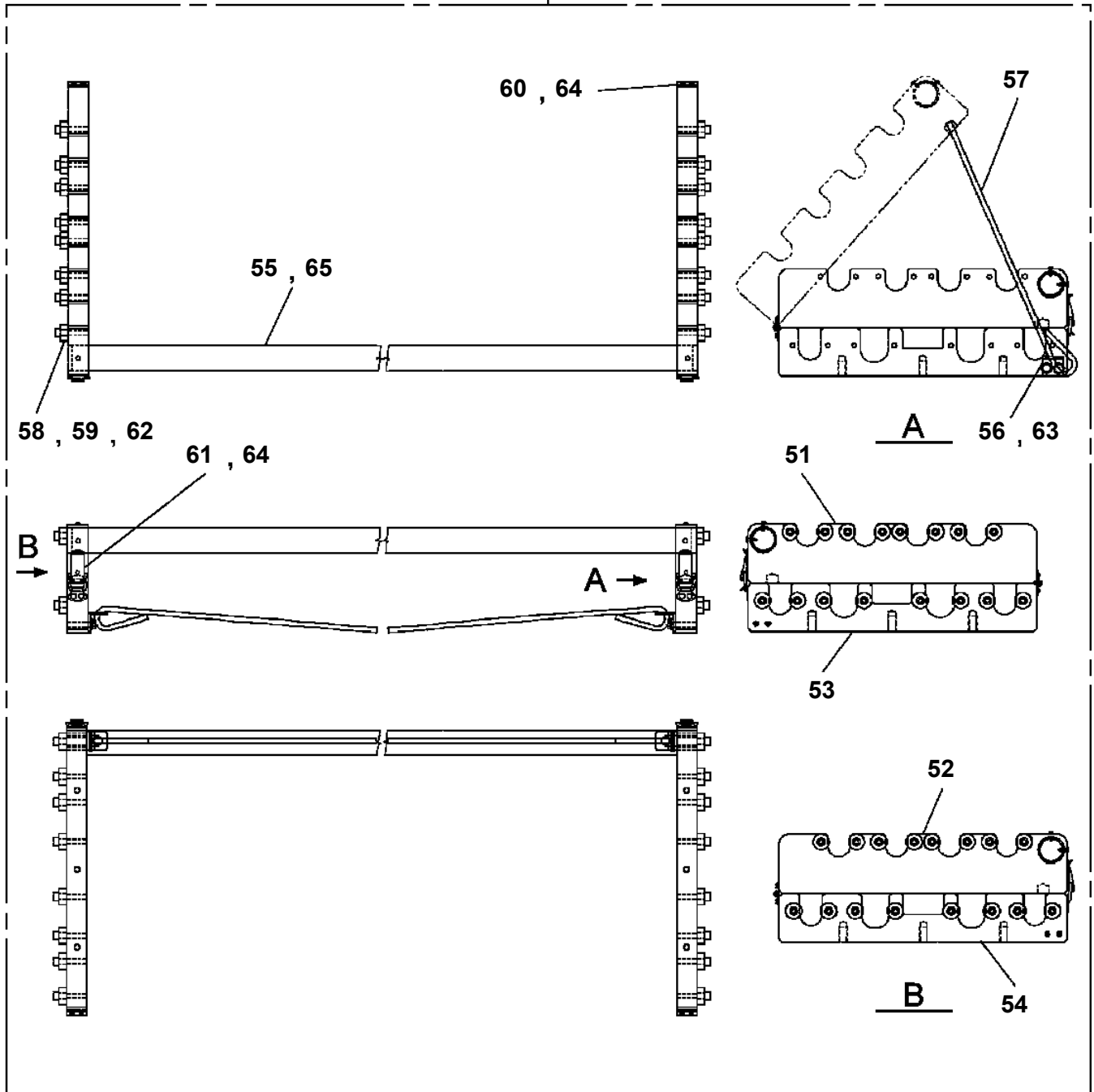
Pos No.	Parts No	Parts Name	Qty	Unit	Technical Data	Serial No (Start)	S
1	42971851000	WOOD BLOCK (KANSAI DENRYOKU/DETACHABLE)	1				

AT-146-4A 43011830102 UPPER, LOWER, HINO 2KG-XZU600F-TKFSE6
PX1350599-02 BOX, TOOL

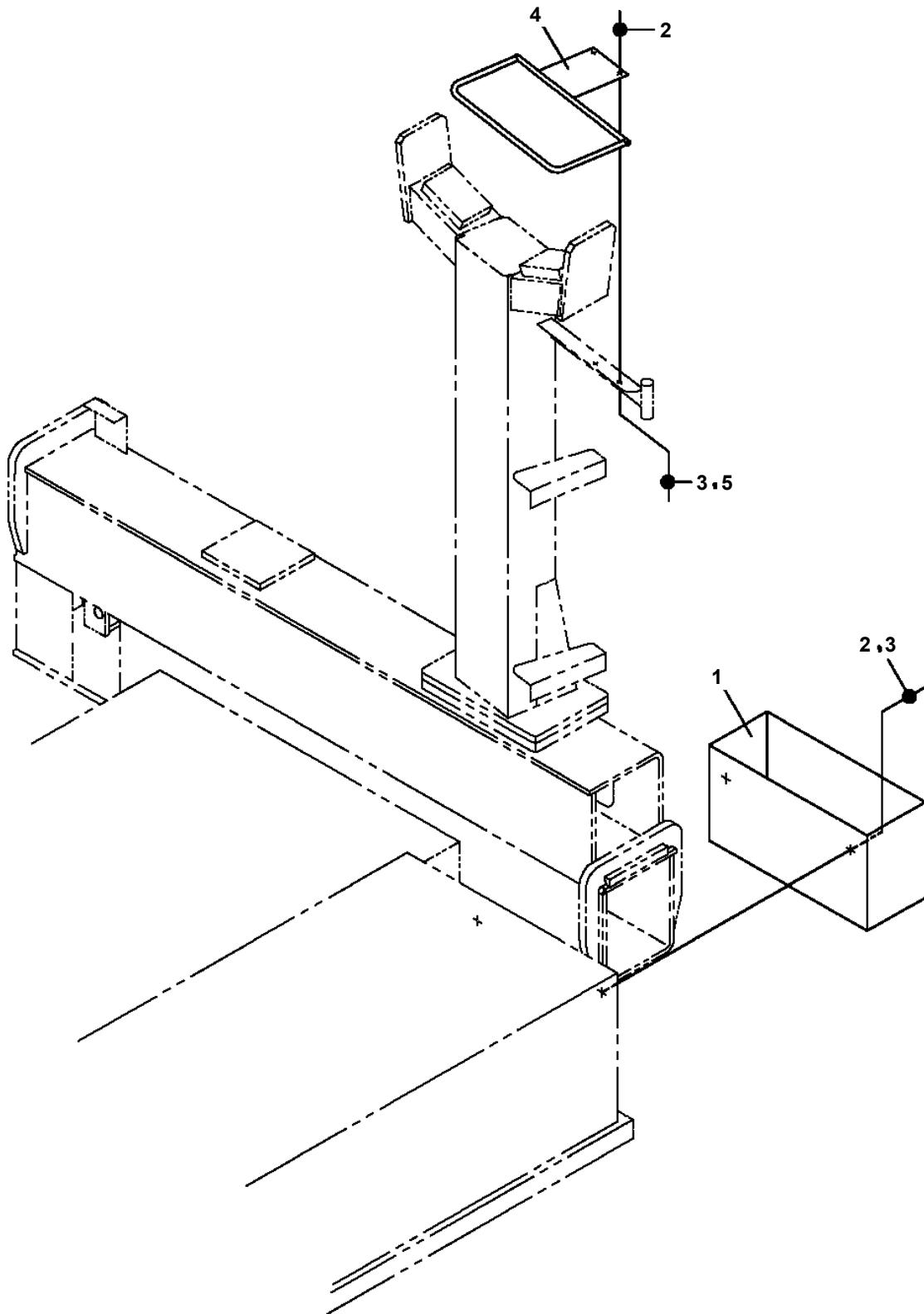


AT-146-4A 43011830102 UPPER, LOWER, HINO 2KG-XZU600F-TKFSE6
PX1351200-01 BOX, TOOL

5



AT-146-4A 43011830102 UPPER, LOWER, HINO 2KG-XZU600F-TKFSE6
PX1620033-00 MOUNT,COLOR CONE SUPPORT



AT-146-4A 43011830102 UPPER, LOWER, HINO 2KG-XZU600F-TKFSE6

Pos No.	Parts No	Parts Name	Qty	Unit	Technical Data	Serial No (Start)	Serial No (End)	Remarks	Pages
1	42699571001	FENDER	1						
2	42990601000	FENDER	1						
3	42699570100	SUPPORT	1						
4	42699570200	SUPPORT	1						
5	90101208012	BOLT	4		M8X12				
6	90302040801	WASHER,SPRING	4		8				
8	90190210030	BOLT	2		M10X30				
9	37000547660	PLATE	4		T=2.3				

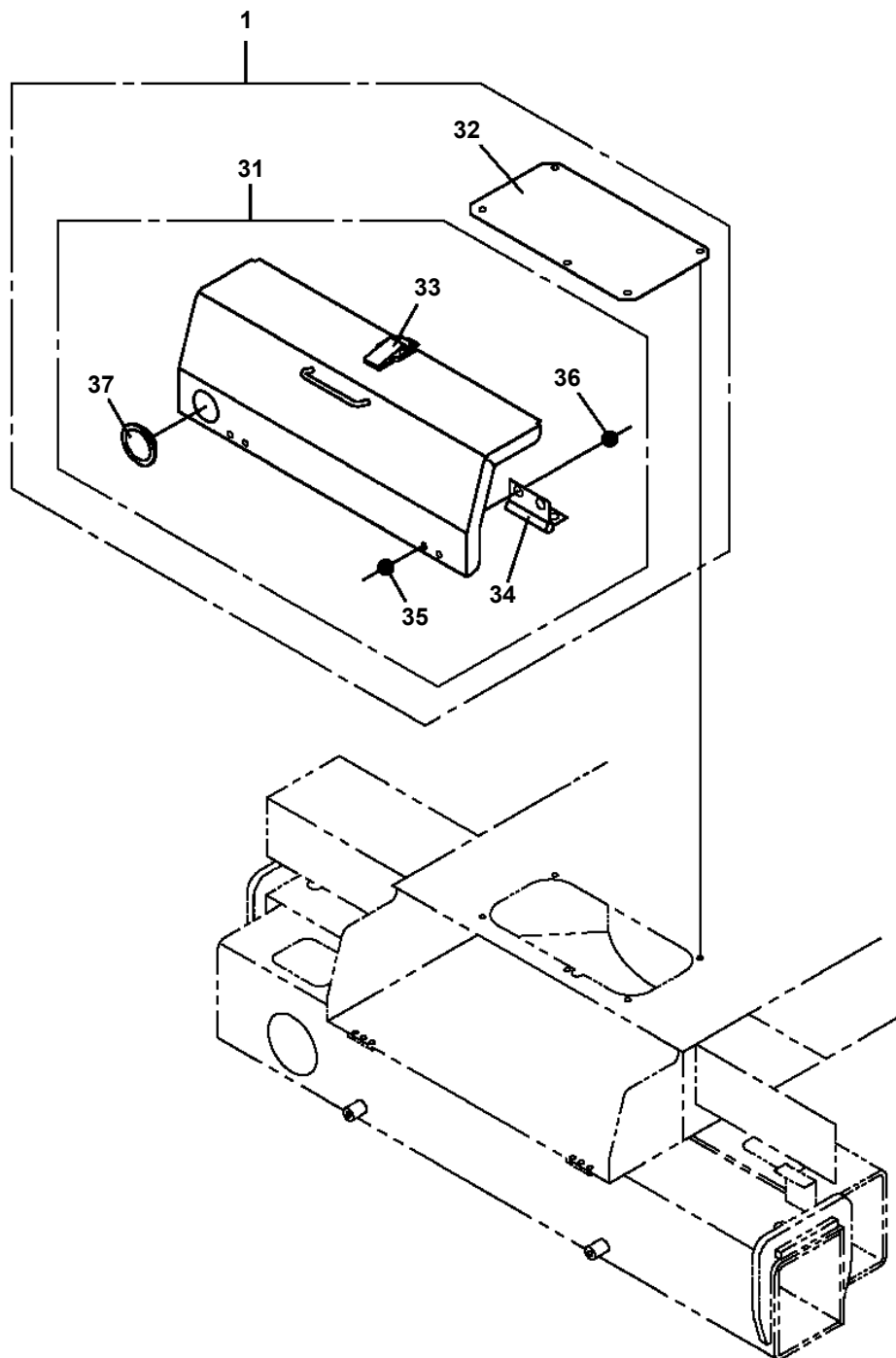
AT-146-4A 43011830102 UPPER, LOWER, HINO 2KG-XZU600F-TKFSE6

Pos No.	Parts No	Parts Name	Qty	Unit	Technical Data	Serial No (Start)	Serial No (End)	Remarks	Pages
1	37000541920	PLATE	2						
2	37000501550	PLATE	1						
3	42513562100	SUPPORT	5						

AT-146-4A 43011830102 UPPER, LOWER, HINO 2KG-XZU600F-TKFSE6

Pos No.	Parts No	Parts Name	Qty	Unit	Technical Data	Serial No (Start)	Serial No (End)	Ren
1	42422306300	BATTERY	2					
2	42422306100	SUPPORT	2					
3	90101212020	BOLT	4		M12X20			
4	91810130250	FASTENER	12					
5	90303071201	WASHER,PLAIN	4		12			
6	90302041201	WASHER,SPRING	4		12			
7	42422306200	CABLE ASSY	1					
8	91810132530	FASTENER	20					
9	42738981000	TANK ASSY (BATTERY,WATER)	1					
10	42422306401	SUPPORT	2					
11	90101208012	BOLT	4		M8X12			
12	90302040801	WASHER,SPRING	4		8			
13	82100001804	TUBE,CORRUGATE	1	M	15			
14	91810130240	FASTENER	2					
15	82401601002	CLAMP	2					

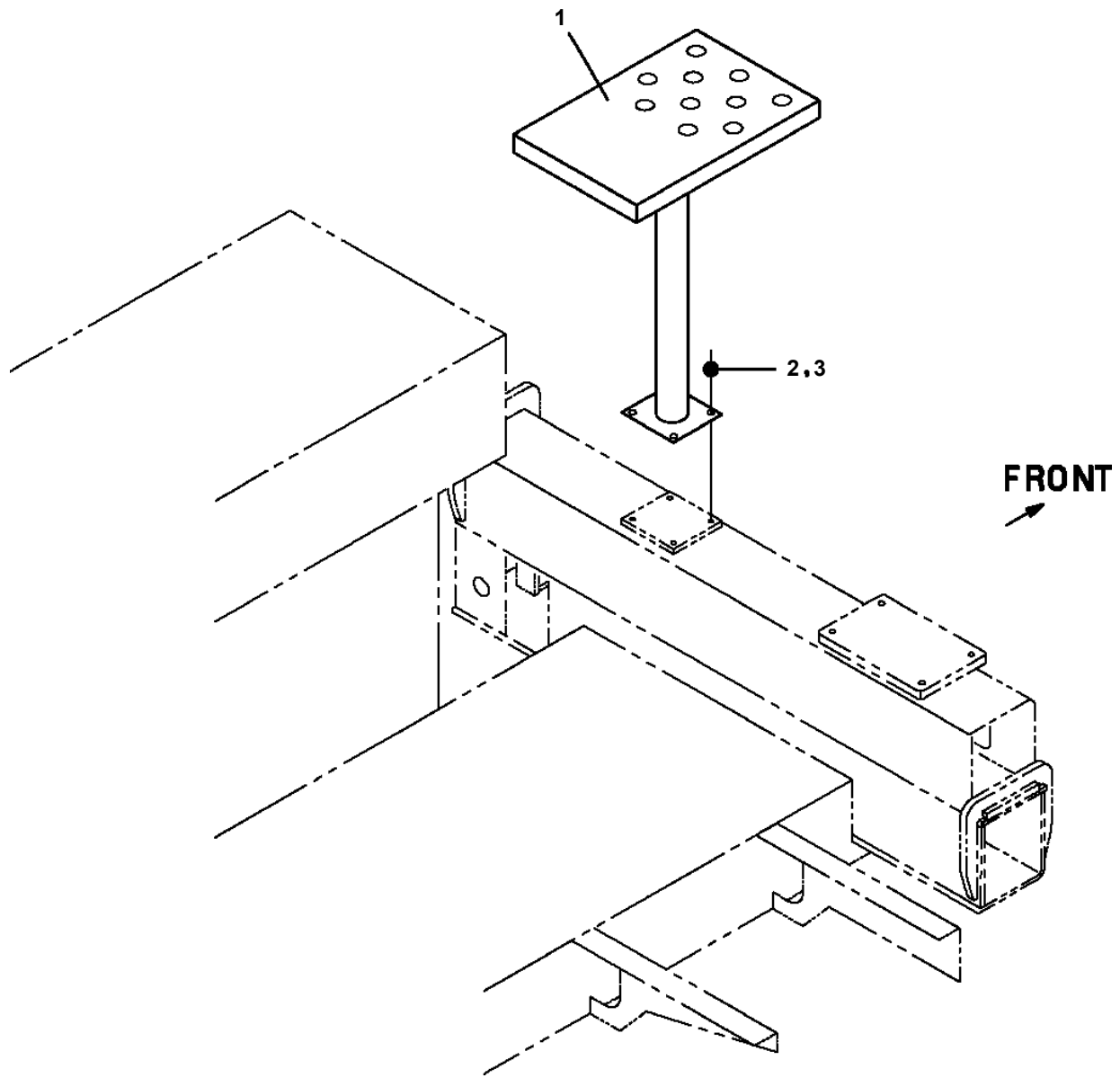
**AT-146-4A 43011830102 UPPER, LOWER, HINO 2KG-XZU600F-TKFSE6
PX5260029-00 MOUNT ASSY,COVER (VEHICLE LEVELLING FUNCTION)**



AT-146-4A 43011830102 UPPER, LOWER, HINO 2KG-XZU600F-TKFSE6

Pos No.	Parts No	Parts Name	Qty	Unit	Technical Data	Serial No (Start)	Serial No (End)	Remarks	Pages
1	82400000551	SUPPORT	1						
2	80172804016	SCREW,MACHINE	2		M4X16				

AT-146-4A 43011830102 UPPER, LOWER, HINO 2KG-XZU600F-TKFSE6
PX5670078-00 MOUNT ASSY,STEP



AT-146-4A 43011830102 UPPER, LOWER, HINO 2KG-XZU600F-TKFSE6

Pos No.	Parts No	Parts Name	Qty	Unit	Technical Data	Serial No (Start)	Serial No (End)	Remarks	Pages
1	42839771100	SUPPORT	1						
4	90101210020	BOLT	2		M10X20				
5	90302041001	WASHER,SPRING	9		10				
8	90303071001	WASHER,PLAIN	3		10				
9	90101210025	BOLT	7		M10X25				
10	42839775000	BOX,TOOL	1						00003
11	37000505950	PLATE	4		T=3.2				
13	37000581940	PLATE	N		T=0.5				
14	82100002012	CLAMP	2		WR18				
15	90201200600	NUT	1		M6				
16	90302040601	WASHER,SPRING	2		6				
17	42839771200	JOINT	1						
18	90101206012	BOLT	1		M6X12				
19	42839771300	SUPPORT	1						
41	42394484010	PLATE (NON-SLIP)	1						
42	42393891070	PLATE (NON-SLIP)	1						
43	42393891060	PLATE (NON-SLIP)	2						
44	42396552010	PLATE (NON-SLIP)	1						
45	42397246020	PLATE (NON-SLIP)	1						
46	42394484020	PLATE (NON-SLIP)	2						
47	42833782010	PLATE (NON-SLIP)	2						

**AT-146-4A 43011830102 UPPER, LOWER, HINO 2KG-XZU600F-TKFSE6
PX5780339-00 MOUNT ASSY, TOOL BOX (LEFT/FRONT:2-DECK, REAR:1-DECK)**

マウントASSY, ツールボックス (レフト/フロント:2ダックン, リヤ:1ダックン)
MOUNT ASSY, TOOL BOX (LEFT/FRONT:2-DECK, REAR:1-DECK)

仕様 左前:2段工具箱(2段目扉上開き)・左後:1段工具箱

指示番号 KEY NO.	部品名称 PART NAME	備考 REMARK
1	マウントASSY, ツールボックス MOUNT ASSY, TOOL BOX	左前2段工具箱(2段目扉上開き)
2	マウントASSY, ツールボックス MOUNT ASSY, TOOL BOX	左後1段工具箱+後方乗込用テスリ

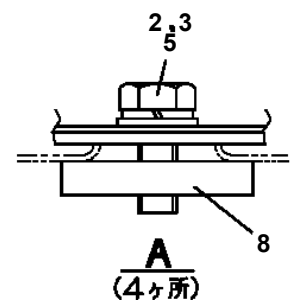
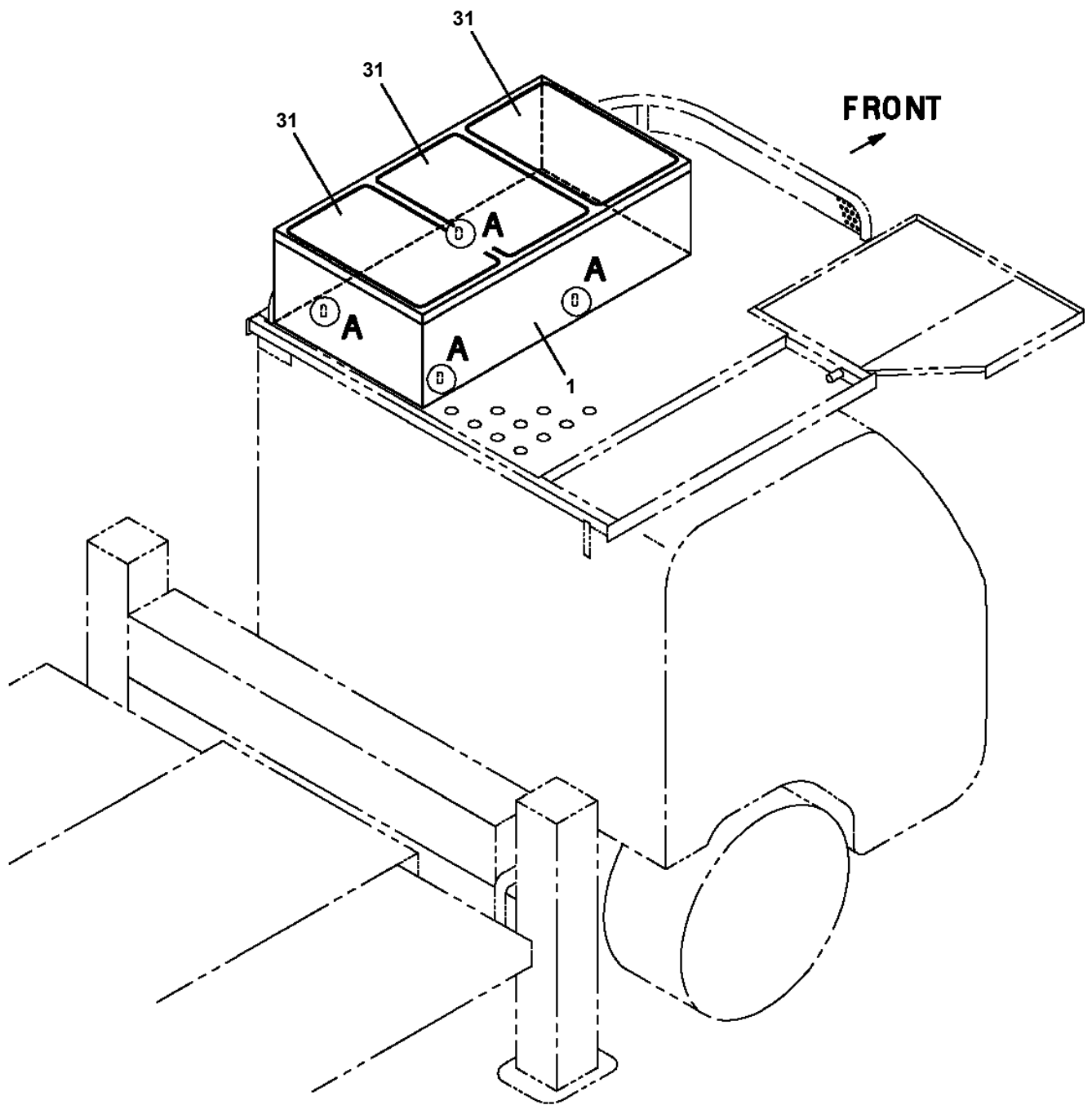
適用製造番号によっては取り付けがないものもあります。

MACHINES OF SOME SERIAL NO. ARE NOT EQUIPPED WITH THESE PARTS.

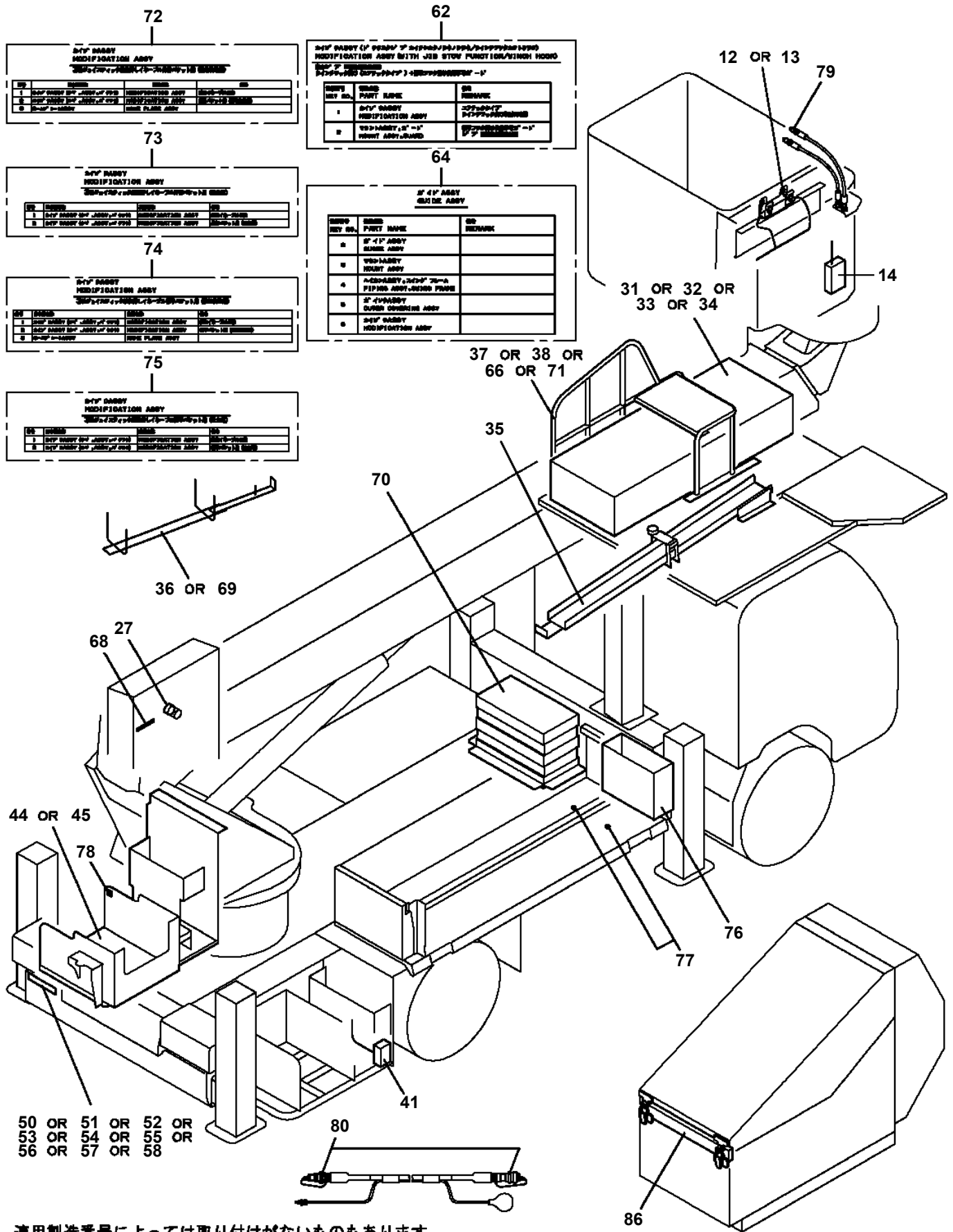
AT-146-4A 43011830102 UPPER, LOWER, HINO 2KG-XZU600F-TKFSE6

Pos No.	Parts No	Parts Name	Qty	Unit	Technical Data	Serial No (Start)	Serial No (End)
1	(*****)	MOUNT ASSY,TOOL BOX (RIGHT/FRONT:2-DECK)	1				
2	(*****)	MOUNT ASSY,DECK (RIGHT-REAR FENDER)	1				

AT-146-4A 43011830102 UPPER, LOWER, HINO 2KG-XZU600F-TKFSE6
PX5780369-00 MOUNT ASSY, TOOL BOX (DECK ON CAB, WITH FENCE, JK)



AT-146-4A 43011830102 UPPER, LOWER, HINO 2KG-XZU600F-TKFSE6 PY1001800-11 OPTION UNIT,1 (UPPER)



72

UPPER BODY MODIFICATION ASSEMBLY

REV	DATE	DESCRIPTION	BY
1		UPPER BODY MODIFICATION ASSEMBLY	
2		UPPER BODY MODIFICATION ASSEMBLY	
3		UPPER BODY MODIFICATION ASSEMBLY	

62

UPPER BODY MODIFICATION ASSEMBLY WITH JIB STOP FUNCTION/UPPER BODY MODIFICATION ASSEMBLY WITH JIB STOP FUNCTION

REV	DATE	PART NAME	OR REMARK
1		UPPER BODY MODIFICATION ASSEMBLY	
2		UPPER BODY MODIFICATION ASSEMBLY	

73

UPPER BODY MODIFICATION ASSEMBLY

REV	DATE	DESCRIPTION	BY
1		UPPER BODY MODIFICATION ASSEMBLY	
2		UPPER BODY MODIFICATION ASSEMBLY	

64

UPPER BODY MODIFICATION ASSEMBLY

REV	DATE	PART NAME	OR REMARK
1		UPPER BODY MODIFICATION ASSEMBLY	
2		UPPER BODY MODIFICATION ASSEMBLY	
3		UPPER BODY MODIFICATION ASSEMBLY	
4		UPPER BODY MODIFICATION ASSEMBLY	
5		UPPER BODY MODIFICATION ASSEMBLY	

74

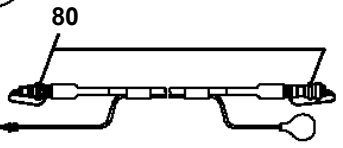
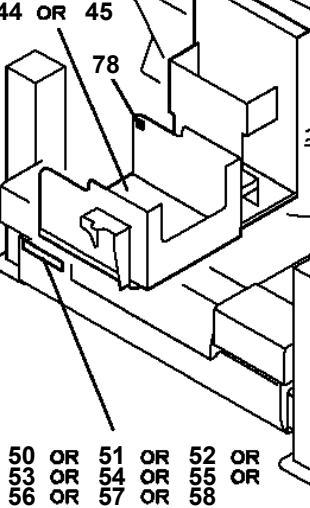
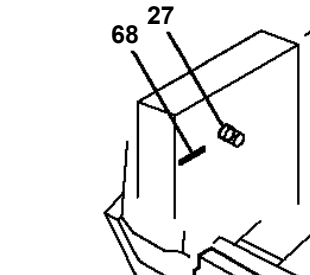
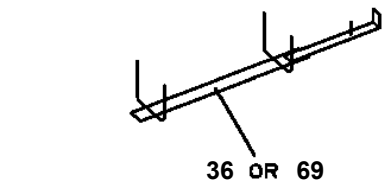
UPPER BODY MODIFICATION ASSEMBLY

REV	DATE	DESCRIPTION	BY
1		UPPER BODY MODIFICATION ASSEMBLY	
2		UPPER BODY MODIFICATION ASSEMBLY	
3		UPPER BODY MODIFICATION ASSEMBLY	

75

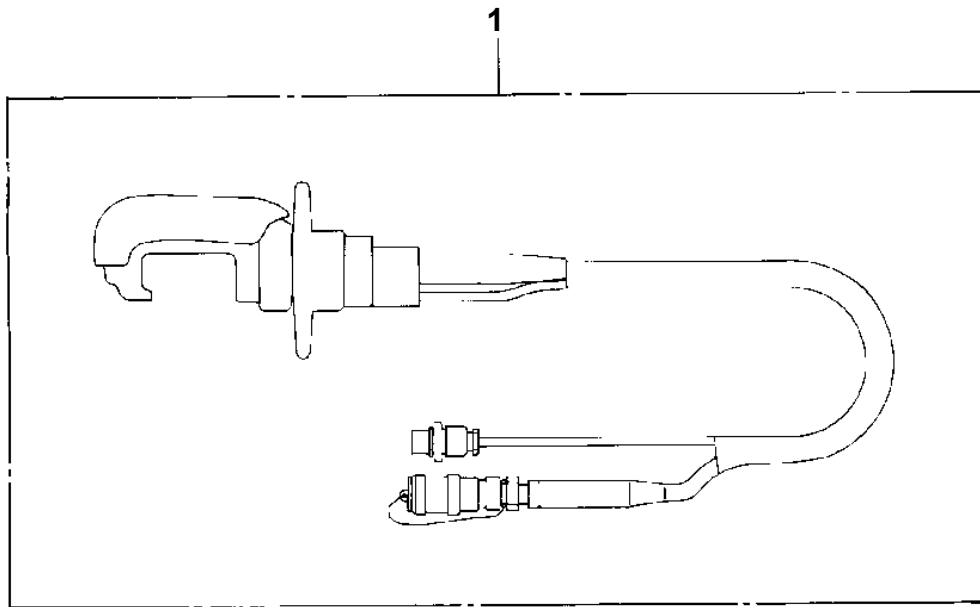
UPPER BODY MODIFICATION ASSEMBLY

REV	DATE	DESCRIPTION	BY
1		UPPER BODY MODIFICATION ASSEMBLY	
2		UPPER BODY MODIFICATION ASSEMBLY	
3		UPPER BODY MODIFICATION ASSEMBLY	



適用製造番号によっては取り付けがないものもあります。
MACHINES OF SOME SERIAL NO. ARE NOT EQUIPPED WITH THESE PARTS.

**AT-146-4A 43011830102 UPPER, LOWER, HINO 2KG-XZU600F-TKFSE6
PY1050004-00 CLAMP HEAD (O.D.K 7.5TON 3M)**

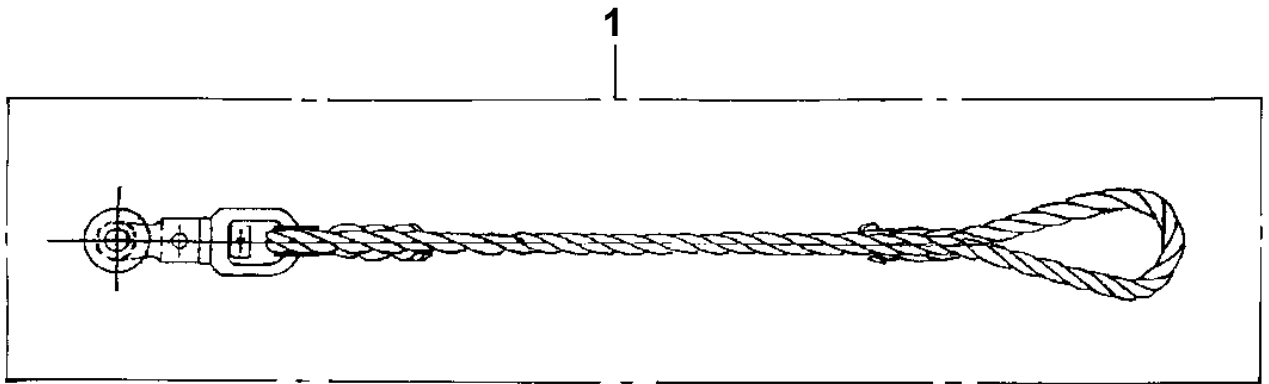


AT-146-4A 43011830102 UPPER, LOWER, HINO 2KG-XZU600F-TKFSE6

Pos No.	Parts No	Parts Name	Qty	Unit	Technical Data	Serial No (Start)	Serial No (E
1	42470367510	HOOK	1				
2	42470367520	CYLINDER	1				
3	42470367530	HOLDER (DIES)	1				
4	42470367540	STEM	1				
5	42470367550	SPRING (RETURN)	1				
6	42470367560	SEAT,SPRING	1				
7	42470367570	RING,STOP	1				
8	80720103006	PIN,SPRING	1		3X6		
9	91001104000	O-RING	1		1A P40		
10	42470367580	RING (B)	1				
12	42470367590	NOTCH	1				
13	42470367600	PIECE (B)	1				
14	42470367610	PIN (SCREW)	1				
15	42470367620	SPRING ASSY	1				
16	42470367630	PIECE (AL)	1				
17	42470367640	SPRING	1				
18	42470367650	KNOB	1				
19	80720102012	PIN,SPRING	1		2X12		
20	80720103008	PIN,SPRING	1		3X8		
21	42470367660	GUIDE	1				
22	90131505008	BOLT,HEXAGON SOCKET	1		M5X8		
23	90304110501	WASHER (LOCK)	1		5		
24	42470367670	SCRAPER	1				
25	42470367680	SPACER	1				
26	42470367690	BOLT,HEXAGON SOCKET	1				
27	42470367700	NIPPLE	1				
28	42470367710	JOINT,SELF SEALING (WITH CAP)	1				
29	42470367720	GRIP	1				
30	42470367730	PLATE,NAME	1				
31	42470367740	COVER (SAFETY)	1				
50	42470365000	CLAMP HEAD (SANWA,12TON,TITANIUM)	1				

AT-146-4A 43011830102 UPPER, LOWER, HINO 2KG-XZU600F-TKFSE6
PY1070003-00 ROPE (SAFETY,WHITE)

Assembly Name ROPE (SAFETY)

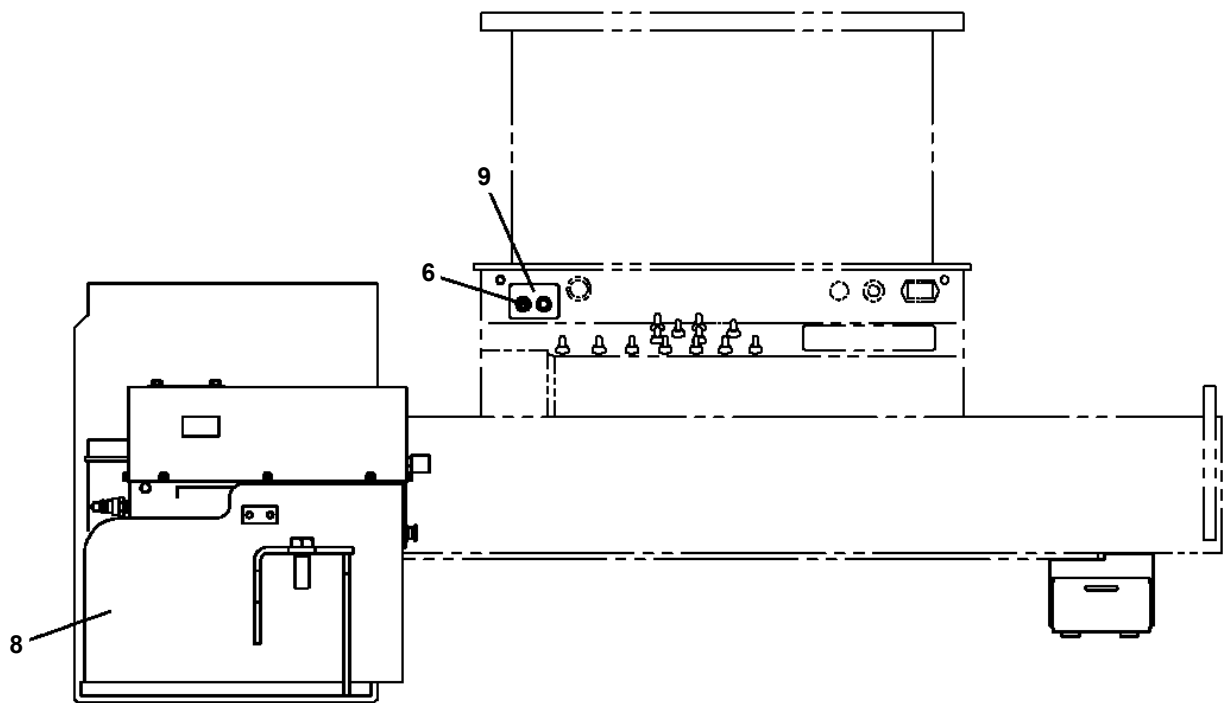
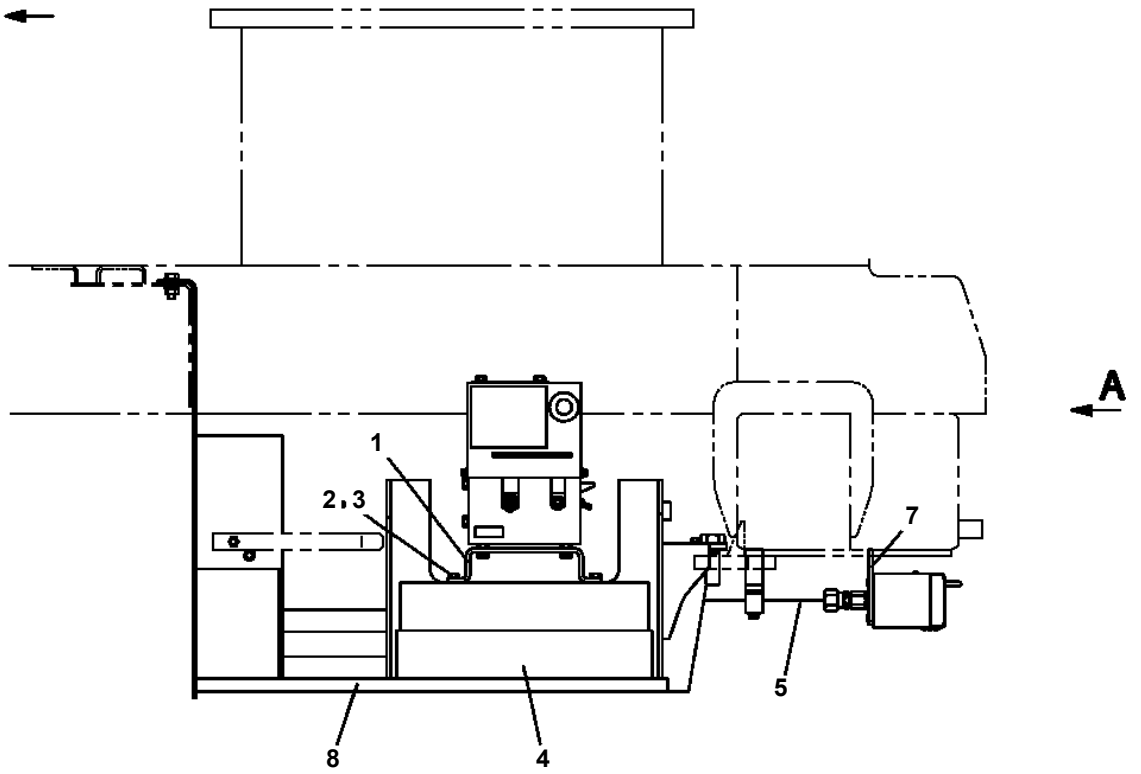


AT-146-4A 43011830102 UPPER, LOWER, HINO 2KG-XZU600F-TKFSE6

Pos No.	Parts No	Parts Name	Qty	Unit	Technical Data	Serial No (Start)	Serial No (End)	Remarks	Pages
1	42470121000	ARM ASSY	1						
2	42470122000	HOLDER	3						
3	42470123000	CLAMP ASSY	1						
4	42470044000	HOT STICK	1						
5	42476851000	SUPPORT	1						
6	90101216130	BOLT	1		M16X130				
7	90303071601	WASHER,PLAIN	2		16				
8	90201201600	NUT	2		M16				
9	42220011200	SUPPORT	1						
31	42470121100	ARM	1						
32	42470121200	CAP	2						

AT-146-4A 43011830102 UPPER, LOWER, HINO 2KG-XZU600F-TKFSE6
PY1160237-00 BOOSTER

FRONT ←



A

CLICK HERE TO **DOWNLOAD** THE COMPLETE MANUAL

- Thank you very much for reading the preview of the manual.
- You can download the complete manual from: www.heydownloads.com by clicking the link below



- Please note: If there is no response to CLICKING the link, please download this PDF first and then click on it.

CLICK HERE TO **DOWNLOAD** THE COMPLETE MANUAL