

AT-146-3 43011138100 LOWER,HINO TKG-XZU600F-TKFSC6

PO1000171-00 INDICATION PLATES

PX2001368-00 CARRIER UNIT

PX3000757-00 MOUNTING UNIT

ASSEMBLY

CLICK HERE TO **DOWNLOAD** THE COMPLETE MANUAL

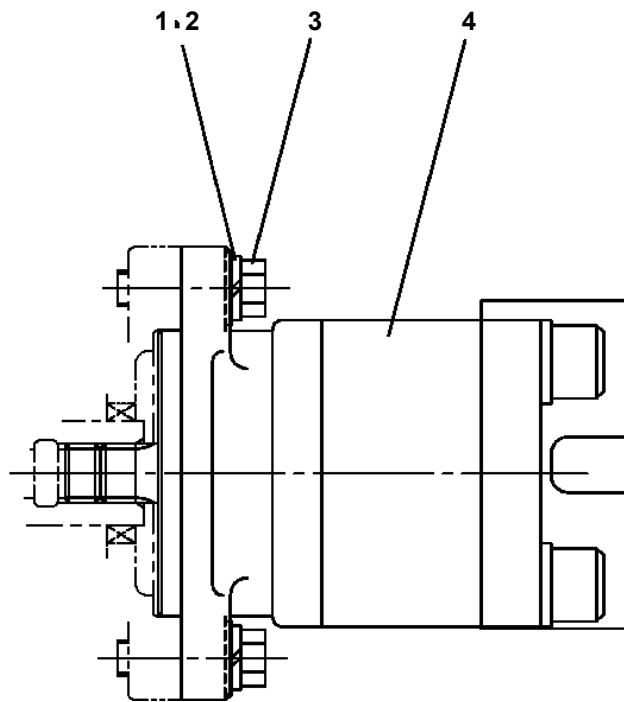
- Thank you very much for reading the preview of the manual.
- You can download the complete manual from: www.heydownloads.com by clicking the link below



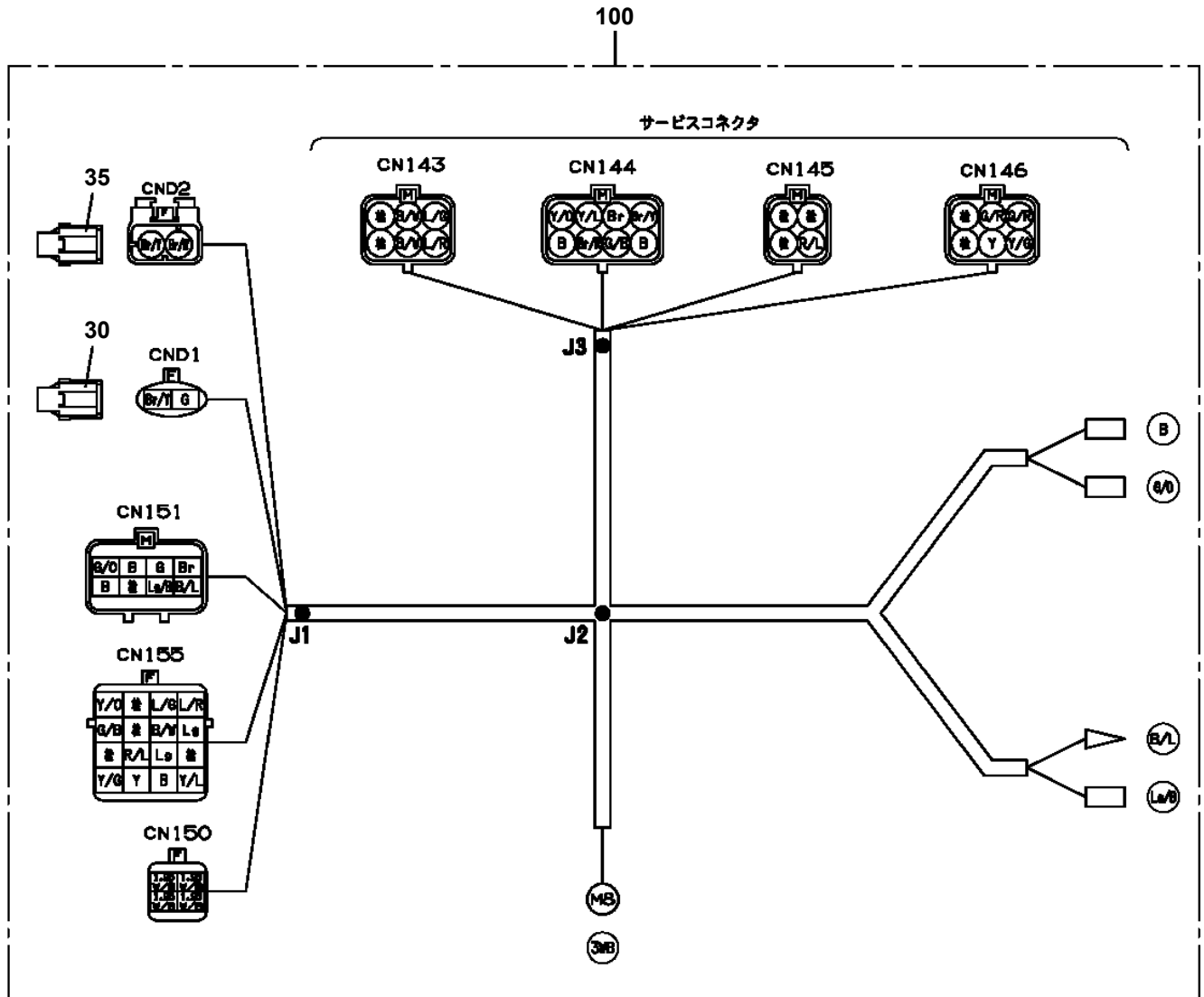
- Please note: If there is no response to CLICKING the link, please download this PDF first and then click on it.

CLICK HERE TO **DOWNLOAD** THE COMPLETE MANUAL

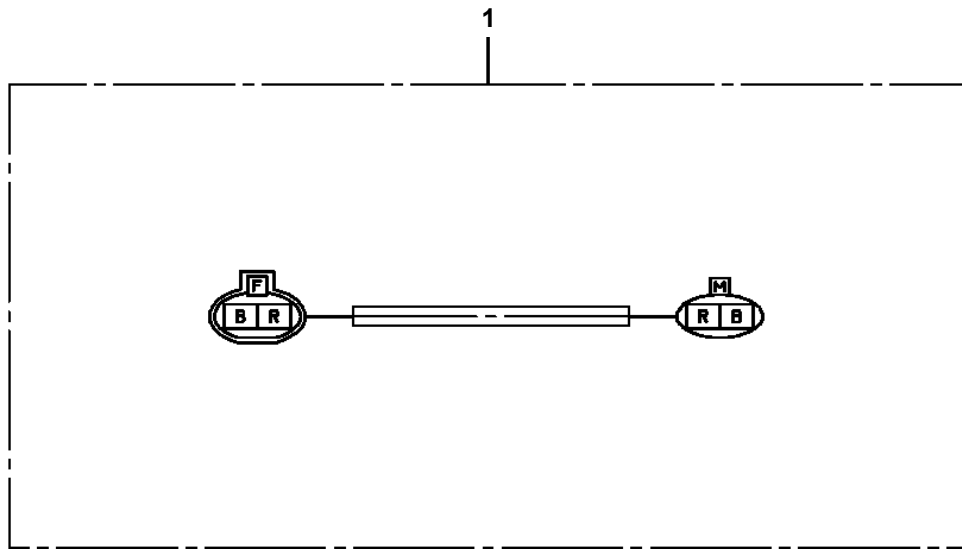
**AT-146-3 43011138100 LOWER, HINO TKG-XZU600F-TKFSC6
PB1110007-01 PUMP INSTALLATION**



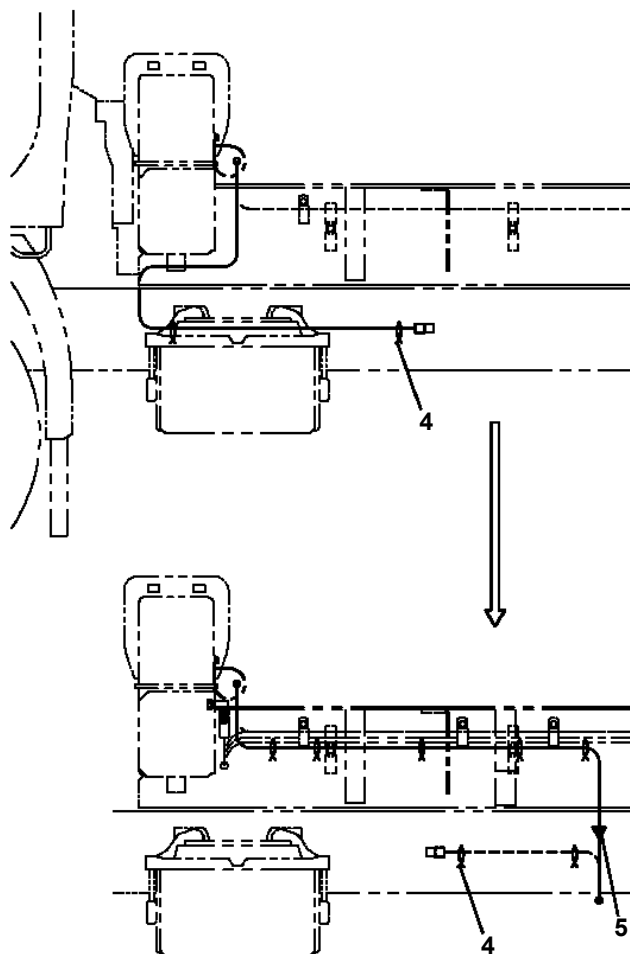
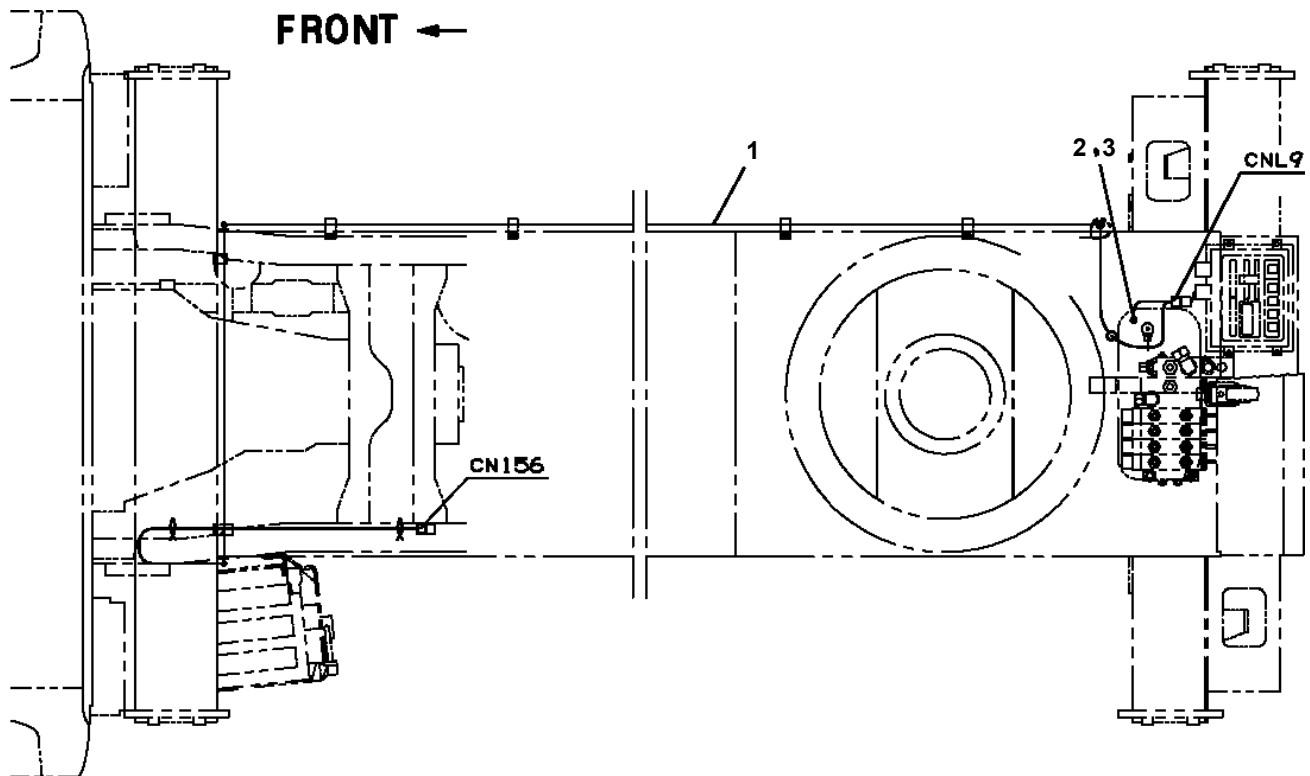
AT-146-3 43011138100 LOWER,HINO TKG-XZU600F-TKFSC6
PH5031032-00 HARNESS



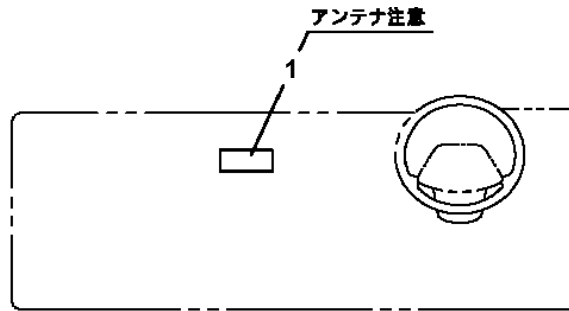
AT-146-3 43011138100 LOWER,HINO TKG-XZU600F-TKFSC6
PH5034148-00 HARNESS



AT-146-3 43011138100 LOWER, HINO TKG-XZU600F-TKFSC6
PN1014620-01 ELEC. ASSY (ACCELERATOR)



AT-146-3 43011138100 LOWER,HINO TKG-XZU600F-TKFSC6
PO1013382-01 PLATE ASSY,NAME (ANTENNA)



インパネ部参考貼付位置

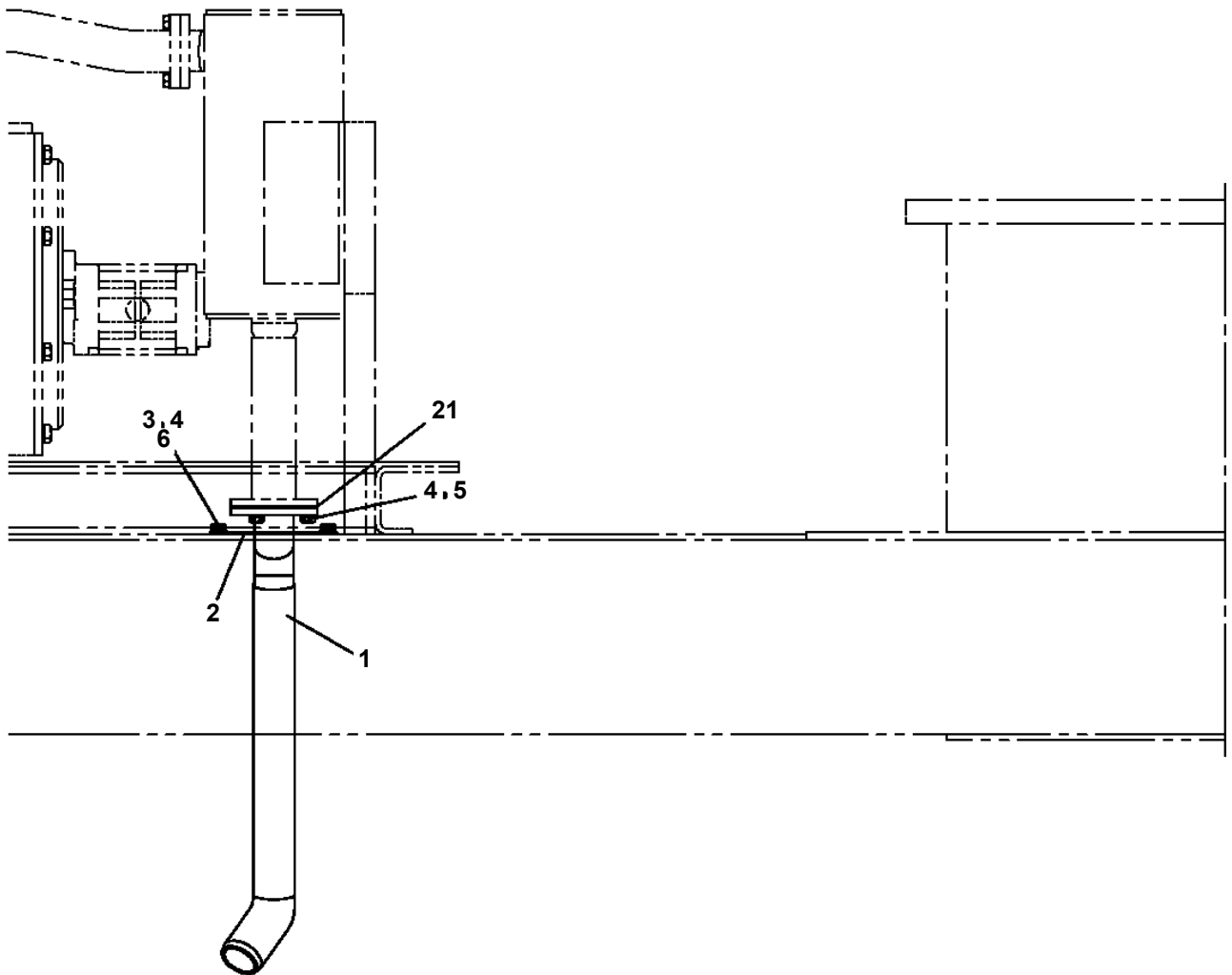
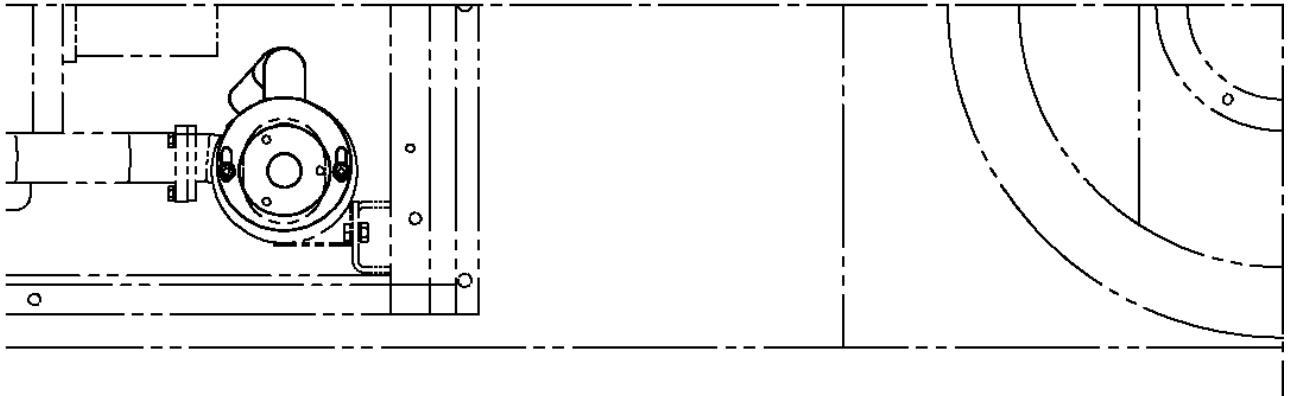
1

注意 / アンテナ伸ばし過ぎ

アンテナを伸ばし過ぎるとブームと干渉します。故障の原因となりますので注意してください。

AT-146-3 43011138100 LOWER,HINO TKG-XZU600F-TKFSC6
PQ1040070-00 EXHAUST

FRONT ←



AT-146-3 43011138100 LOWER,HINO TKG-XZU600F-TKFSC6

Pos No.	Parts No	Parts Name	Qty	Unit	Technical Data	Serial No (Start)	Serial No (End)	Remarks	Pages
1	42698921001	DECK	1				229316		
2	91803600300	CLIP	1		D=22-30				
3	42698920100	SUPPORT	4						
4	89631303000	HOSE,VINYL	1		22X26,25,3M				
5	90101208020	BOLT	4		M8X20				
6	90190208025	BOLT	8		M8X25		229316		
	90190208025	BOLT	12		M8X25	229317			
7	90302040801	WASHER,SPRING	12		8		229316		
	90302040801	WASHER,SPRING	16		8	229317			
8	37000506550	PLATE	8		T=1.6		229316		
	37000506550	PLATE	12		T=1.6	229317			
9	37000563420	PLATE	4		T=3				
10	90101210028	BOLT	8		M10X28				
11	90302041001	WASHER,SPRING	8		10				
12	90303071001	WASHER,PLAIN	8		10				
13	90201201000	NUT	8		M10				
14	82401601002	CLAMP	3						
15	91810130240	FASTENER	3						
16	82100002016	CLAMP	1		WR25				
17	90101206020	BOLT	1		M6X20				
18	90302040601	WASHER,SPRING	1		6				
19	42695640100	STEP	1						
20	90201200600	NUT	1		M6		229316		
	90201200600	NUT	5		M6	229317			
22	42699830200	SUPPORT	1			229317			
23	42699830300	SUPPORT	1			229317			
24	82400000580	INSULATOR	2			229317			
25	80184306030	SCREW,MACHINE	4		M6X30	229317			
26	90102208060	BOLT	2		M8X60	229317			
27	90201200800	NUT	6		M8	229317			
41	42699833000	DECK	1			229317			

CLICK HERE TO **DOWNLOAD** THE COMPLETE MANUAL

- Thank you very much for reading the preview of the manual.
- You can download the complete manual from: www.heydownloads.com by clicking the link below



- Please note: If there is no response to CLICKING the link, please download this PDF first and then click on it.

CLICK HERE TO **DOWNLOAD** THE COMPLETE MANUAL