

# **AT-146-1 42095100037 UPPER**

PD2000046-00 SWING UNIT  
PF1000461-01 WINCH SYSTEM  
PG2000059-00 BOOM UNIT  
PH1000399-00 SAFETY DEVICES  
PJ3000233-00 BUCKET SYSTEM  
PJ5000003-00 BOOSTER UNIT  
PK2000235-00 FRAME UNIT  
PO1000131-03 INDICATION PLATES  
PY1000667-03 OPTIONS,1  
PY2000026-00 OPTIONS,2  
ASSEMBLY

CLICK HERE TO **DOWNLOAD** THE COMPLETE MANUAL

- Thank you very much for reading the preview of the manual.
- You can download the complete manual from: [www.heydownloads.com](http://www.heydownloads.com) by clicking the link below



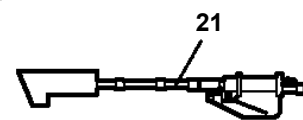
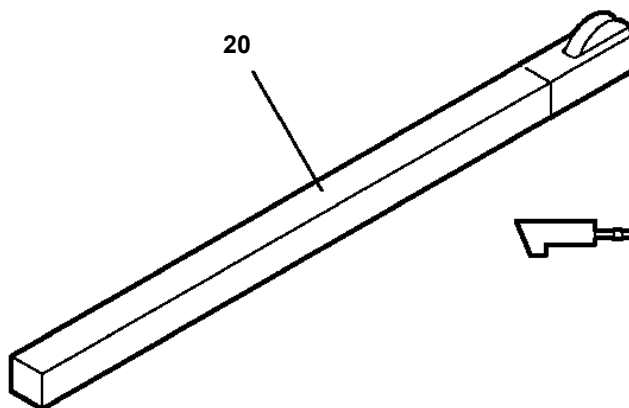
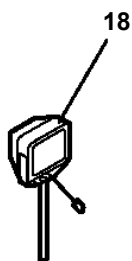
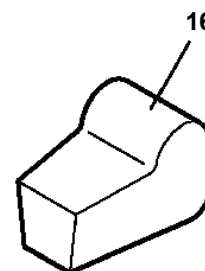
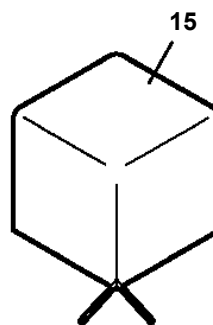
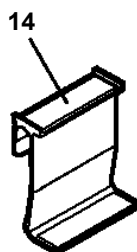
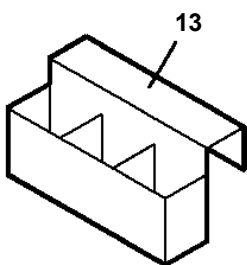
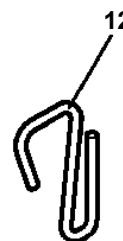
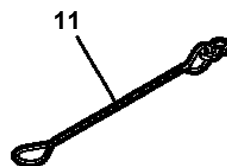
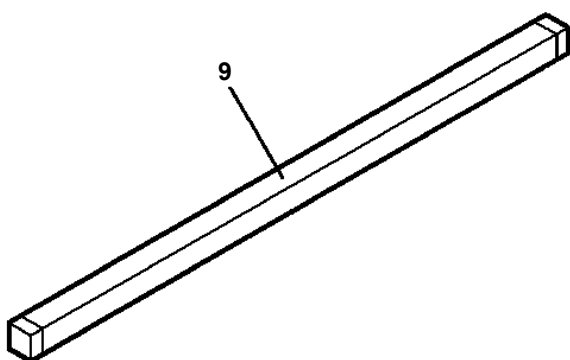
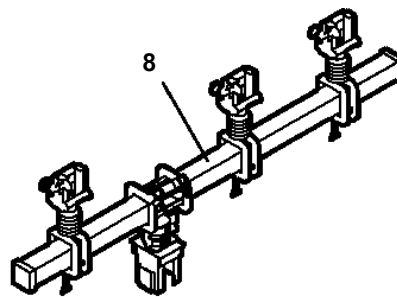
- Please note: If there is no response to CLICKING the link, please download this PDF first and then click on it.

CLICK HERE TO **DOWNLOAD** THE COMPLETE MANUAL

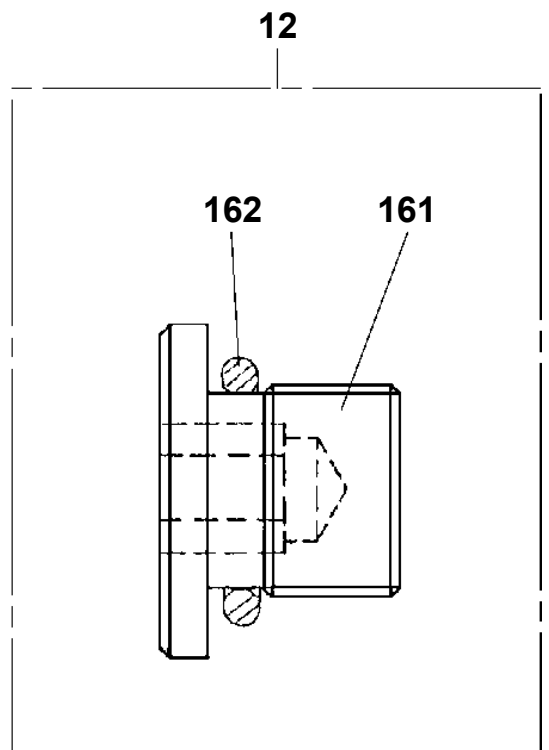
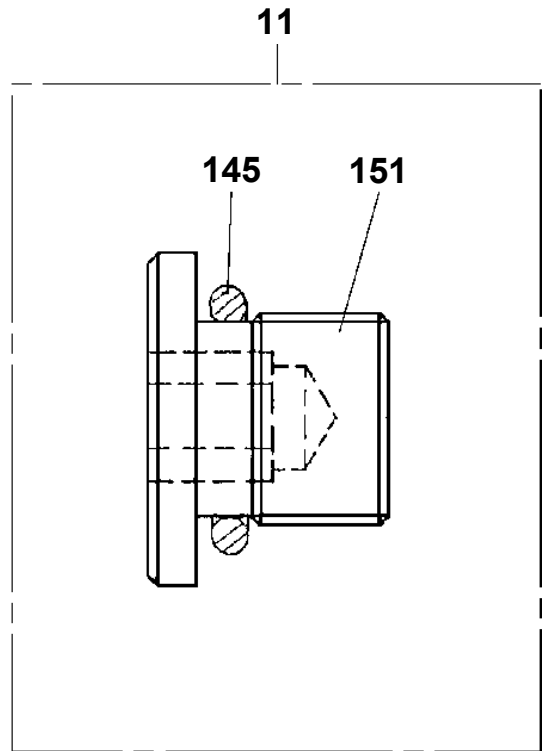
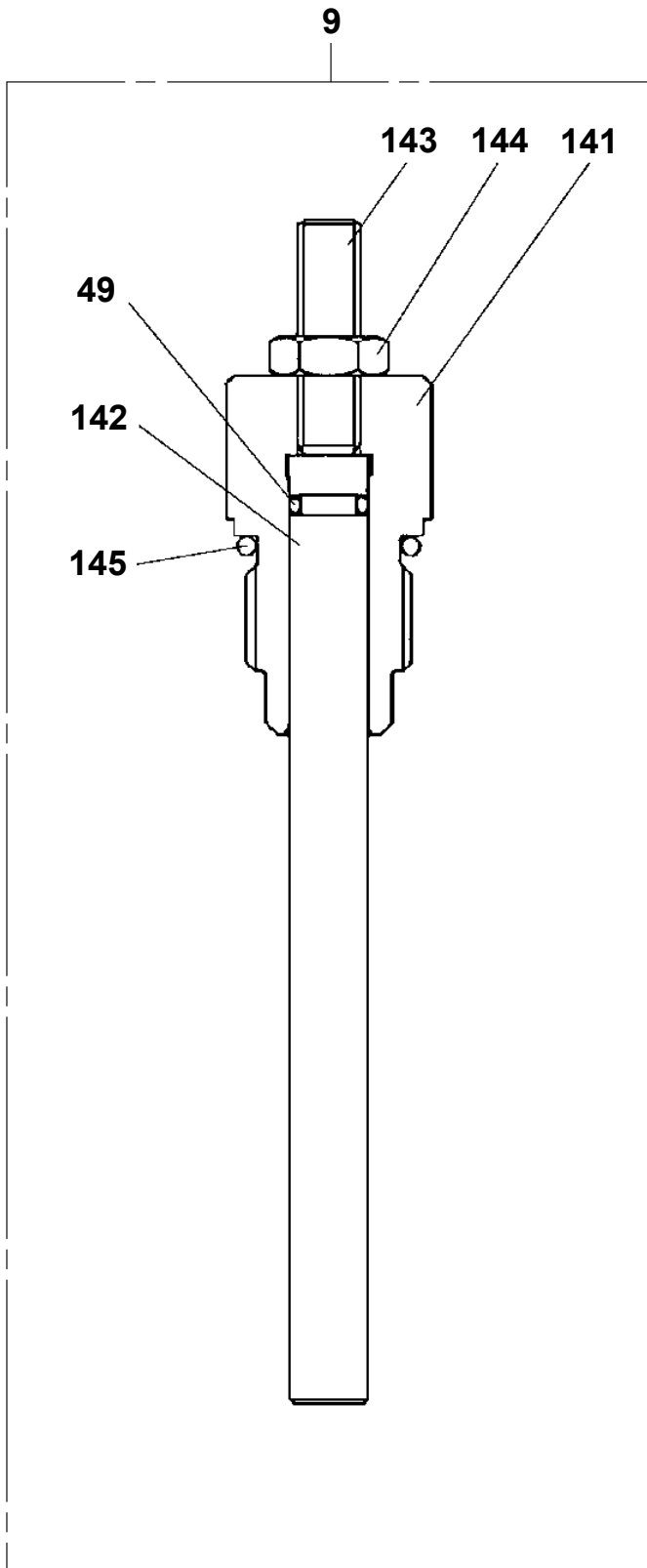
# AT-146-1 42095100037 UPPER

Pos No.	Parts No	Parts Name	Qty	Unit	Technical Data	Serial No (Start)	Serial No (End)
1	(*****)	FRAME	1				
2	(*****)	PIPING (BUCKET)	1				
3	(*****)	ELEC.ASSY (BUCKET)	1				
4	(*****)	OPE.ASSY	1				
5	(*****)	PIPING,GREASE (BUCKET)	1				
11	(*****)	BUCKET (WHITE)	1				
12	(*****)	BUCKET (INNER CASE)	1				
13	(*****)	COVER (FRP,WHITE)	1				
14	(*****)	COVER,BOOM (TOP/FRP,WHITE)	1				
15	42264912000	COVER (CLOTH,WHITE)	1				
16	(*****)	ACCESSORIES (BUCKET INNER MAT)	1				

AT-146-1 42095100037 UPPER  
PY2000026-00 OPTIONS,2



**AT-146-1 42095100037 UPPER  
PB1100158-02 PUMP, HYDRAULIC**

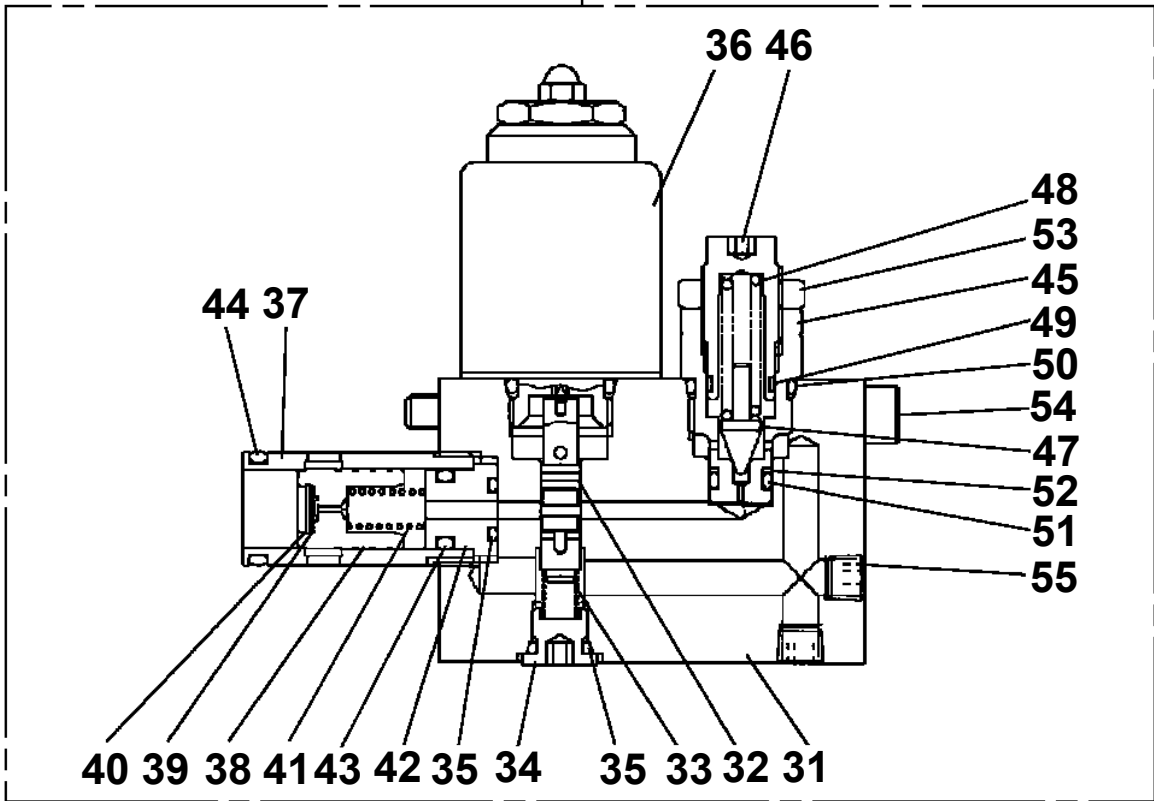


# AT-146-1 4209510037 UPPER

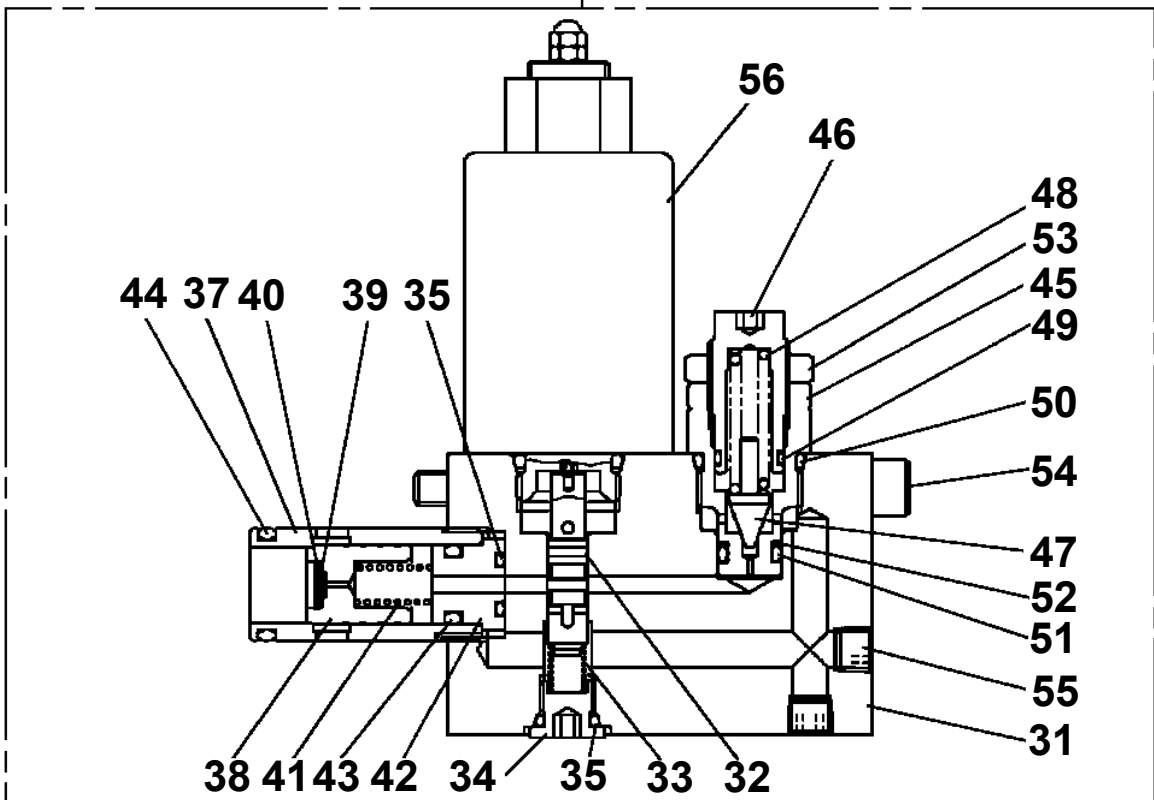
Pos No.	Parts No	Parts Name	Qty	Unit	Technical Data	Serial No (Start)	Serial No (End)	Remarks	P
1	42630760000	JOINT,ROTARY	1						
2	90101210028	BOLT	4		M10X28				
3	90302041001	WASHER,SPRING	4		10				
4	42441760100	SUPPORT	1						
5	90171112040	BOLT	2		M12X40				
6	90302041201	WASHER,SPRING	4		12				
7	42441780100	SUPPORT	1						
8	90171112055	BOLT	2		M12X55				
22	42630761000	BRUSH,ROTARY JOINT	1						0
23	90101208022	BOLT	3		M8X22				
24	90302040801	WASHER,SPRING	3		8				
25	80720105016	PIN,SPRING	1		5X16				
31	53154004000	BUSH (THRUST)	1						
32	42630741100	BODY	1						
33	42630551200	CORE	1						
34	91531211000	PACKING	2						
35	91100211000	SEAL,RING	2						
36	82456101000	NIPPLE,GREASE	1		A-PT1/8				
37	82400000459	CAP	1						

AT-146-1 42095100037 UPPER  
PB1320537-01 VALVE, MANUAL CONTROL

2



2



# AT-146-1 4209510037 UPPER

Pos No.	Parts No	Parts Name	Qty	Unit	Technical Data	Serial No (Start)	Serial No (End)
1	42478703300	LEVER	1				
2	42473531250	LINK	1				
4	42478183400	SUPPORT	1				
7	80560006000	BALL,STEEL	1		6		
8	80720103010	PIN,SPRING	1		3X10		
9	37001200370	SPRING	1				
10	37000133460	PIN	2				
11	90172106020	BOLT,HEXAGON SOCKET	4		M6X20		
12	91002801400	O-RING	2		1B P14		
13	91410001400	RING,BACKUP	2		P14		
14	91002800700	O-RING	1		1B P7		
15	91410000700	RING,BACKUP	1		P7		
16	90303070601	WASHER,PLAIN	1		6		
17	90302040601	WASHER,SPRING	1		6		
18	90201200600	NUT	1		M6		
19	80601110100	RING,RITAINING	4		S10		
20	37000401040	BEARING,PLAIN	6				
21	90201200800	NUT	1		M8		
22	90302040801	WASHER,SPRING	1		8		
23	90303070801	WASHER,PLAIN	1		8		
100	42478703100	VALVE,MANUAL CONTROL (BOOSTER)	1				

# AT-146-1 42095100037 UPPER

Pos No.	Parts No	Parts Name	Qty	Unit	Technical Data	Serial No (Start)	Serial No (End)	Remarks	Pages
1	42421132100	PIPE	1						
2	90171308030	BOLT	8		M8X30				
3	90302040801	WASHER,SPRING	12		8				
4	90209700800	NUT	4		M8				
5	42420250100	PIPE,FLEXIBLE	1				227730		
	42421132500	PIPE,FLEXIBLE	1			227731			
6	90303071001	WASHER,PLAIN	2		10				
7	90101208020	BOLT	4		M8X20				
8	42421132200	MUFFLER	1						
9	90303070801	WASHER,PLAIN	2		8				
31	42420257510	GASKET	2						
41	36361330300	FLANGE	1						
42	36361330310	O-RING	1						
51	36361330220	GASKET	5						

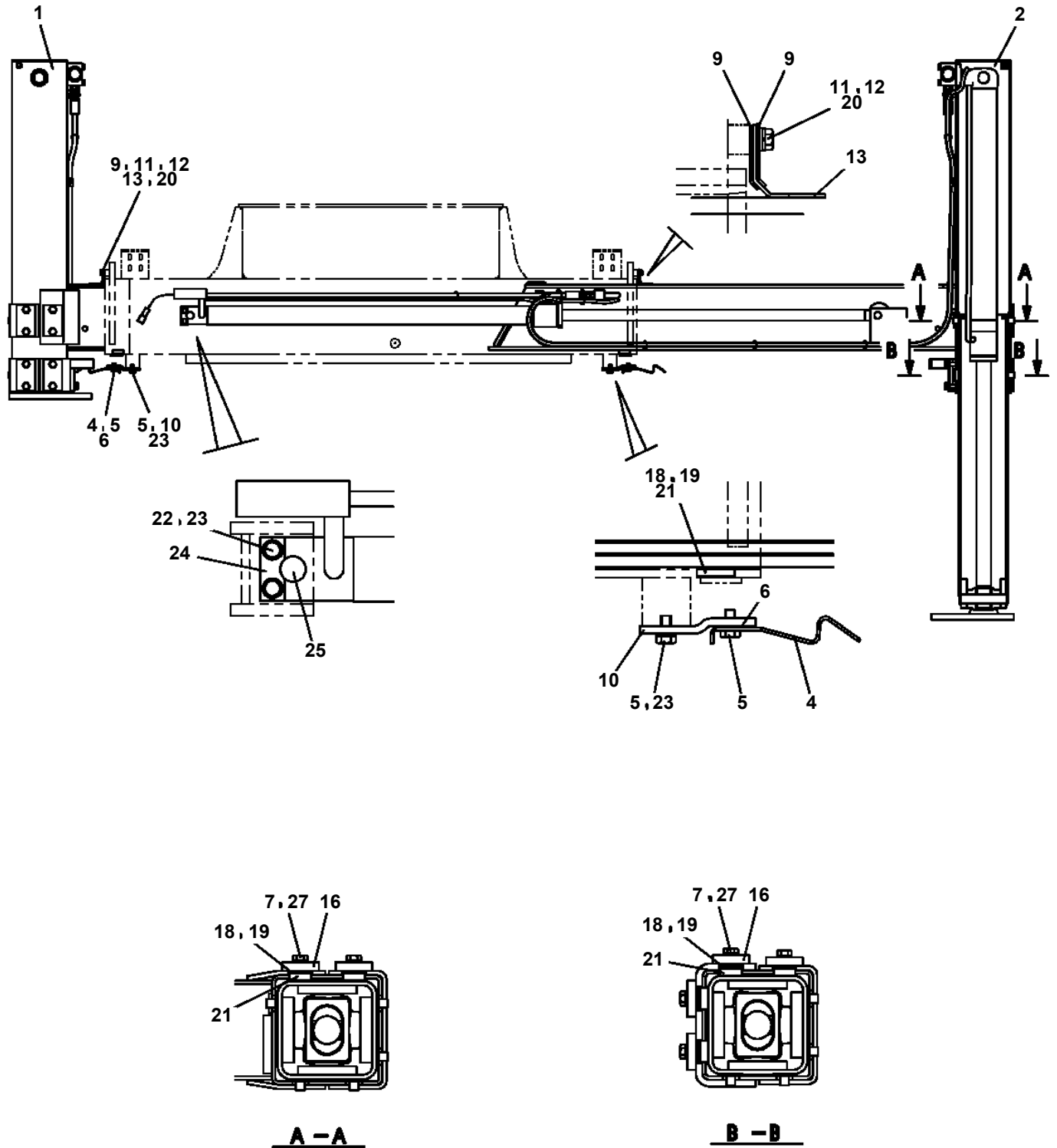
# AT-146-1 42095100037 UPPER

Pos No.	Parts No	Parts Name	Qty	Unit	Technical Data	Serial No (Start)	Serial No (End)	Remarks	Pages
1	42421441100	COVER	1						
2	90186208014	BOLT,FLANGE	6		M8X14				
3	90303070801	WASHER,PLAIN	6		8				

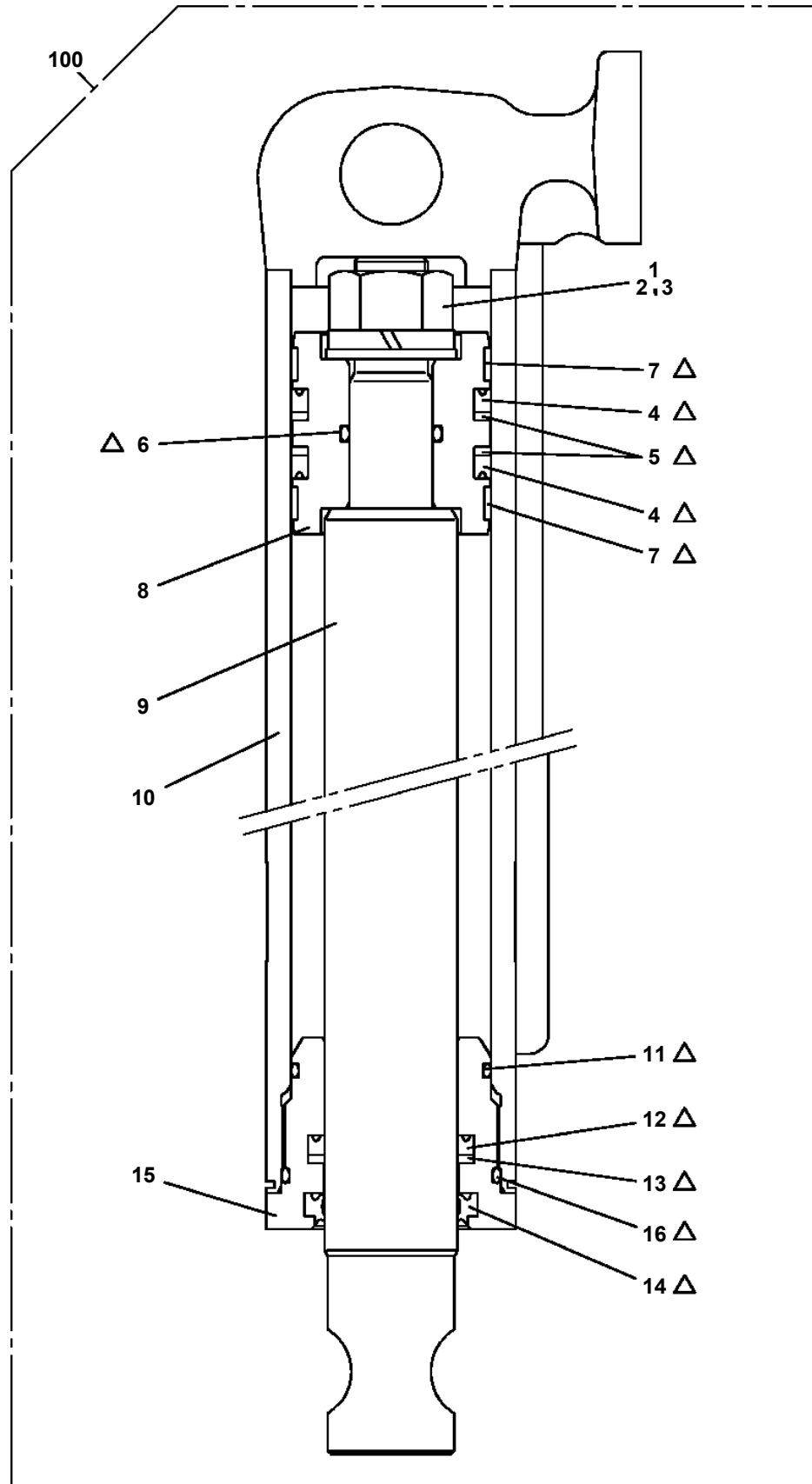
# AT-146-1 4209510037 UPPER

Pos No.	Parts No	Parts Name	Qty	Unit	Technical Data	Serial No (Start)	Serial No (End)	Remarks
4	90101210035	BOLT	4		M10X35			
5	90302041001	WASHER,SPRING	6		10			
6	90172108060	BOLT,HEXAGON SOCKET	2		M8X60			
7	90302040801	WASHER,SPRING	5		8			
8	37002472380	HOSE	2		L=2580			
9	80481103030	JOINT	1		L,G3/8-G3/8			
10	37002468750	HOSE	2		L=2060			
11	37002472360	HOSE	1		L=650			
12	37002408040	HOSE	1		L=560			
13	90101210065	BOLT	2		M10X65			
14	80441030604	FITTING,ELBOW	1					
15	37000908730	JOINT (WITH O-RING)	2		L,G3/8-G1/4			
16	37002467500	HOSE	1		L=550			
17	37002446530	HOSE	1		L=460			
18	37002467470	HOSE	1		L=1500 TO 620			
19	80430620400	JOINT	2					
20	37002485560	HOSE	1		L=810			
21	37002469020	HOSE	1		L=1700			
22	90180208085	BOLT,BUTTON	2		M8X85			
23	37002408440	HOSE	1		L=300 TO 315			
24	37002468910	HOSE	1		L=420			
25	37002437110	HOSE	1		L=400			
27	91810132530	FASTENER	20					
28	37002485570	HOSE	1		L=840			
29	37000714020	CLAMP ASSY	2		12X2			
30	37002467150	HOSE	2		L=830			
31	80400160128	JOINT	1		S,G3/8-G1/4			
32	89640201000	HOSE	1		660-NFK,1M			
34	91002801400	O-RING	2		1B P14			
35	37002471700	HOSE	1		L=1150			
36	82100001411	TUBE,SPIRAL			SE-08BK			
37	37002471340	HOSE	1		L=1500			
38	37002467780	HOSE	1		L=630			
39	37002411660	HOSE	1		L=630			
40	37000917220	FITTING	1		PF3/8XPF3/8			
41	37001600820	NUT	1		PF3/8			
43	37002469100	HOSE	1		L=400			
45	82127020180	TUBE,SPIRAL	2	M				
46	82100000955	GROMMET	4		SG-34A			
47	37002472390	HOSE	1		L=2080			
48	82100002039	CLAMP	1					
49	90201200800	NUT	2		M8			
50	82410124004	INSULATOR	1					
51	90101206012	BOLT	2		M6X12			
52	90302040601	WASHER,SPRING	2		6			
53	42345040010	PLATE	1					
54	82127020240	TUBE,SPIRAL	1	M				
55	(*****)	VALVE	1					
56	37002485550	HOSE	1		L=960			
57	37002468120	HOSE	1		L=1050			
71	36649190000	VALVE,REMOTE CONTROL	1					
72	37000912910	JOINT	2		G1/2,G3/8			
73	37000928120	JOINT	1		G1/2,G1/2			
74	91002801800	O-RING	12		1B P18			
75	37000927640	JOINT	2					
76	37000912920	JOINT	1					
77	37000928490	JOINT	1					
78	37000925660	JOINT	1		S,G3/4-G1/2			
79	91002802400	O-RING	2		1B P24			
80	37000908720	JOINT (WITH O-RING)	1		PF1/2-PF3/8			
81	37000928630	JOINT	1		S,PF3/4,PF1/2			
82	80430620800	JOINT	2					
91	36636340000	VALVE,MANUAL CONTROL	2					

AT-146-1 42095100037 UPPER  
PC1010988-00 OUTRIGGER (REAR/MOUNT)



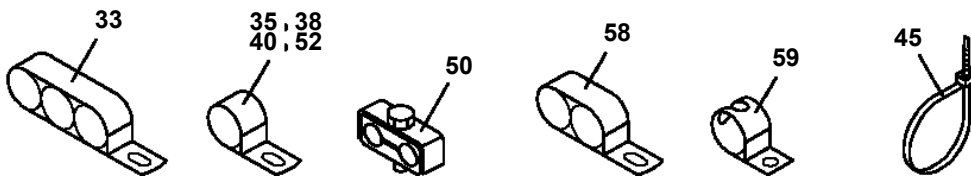
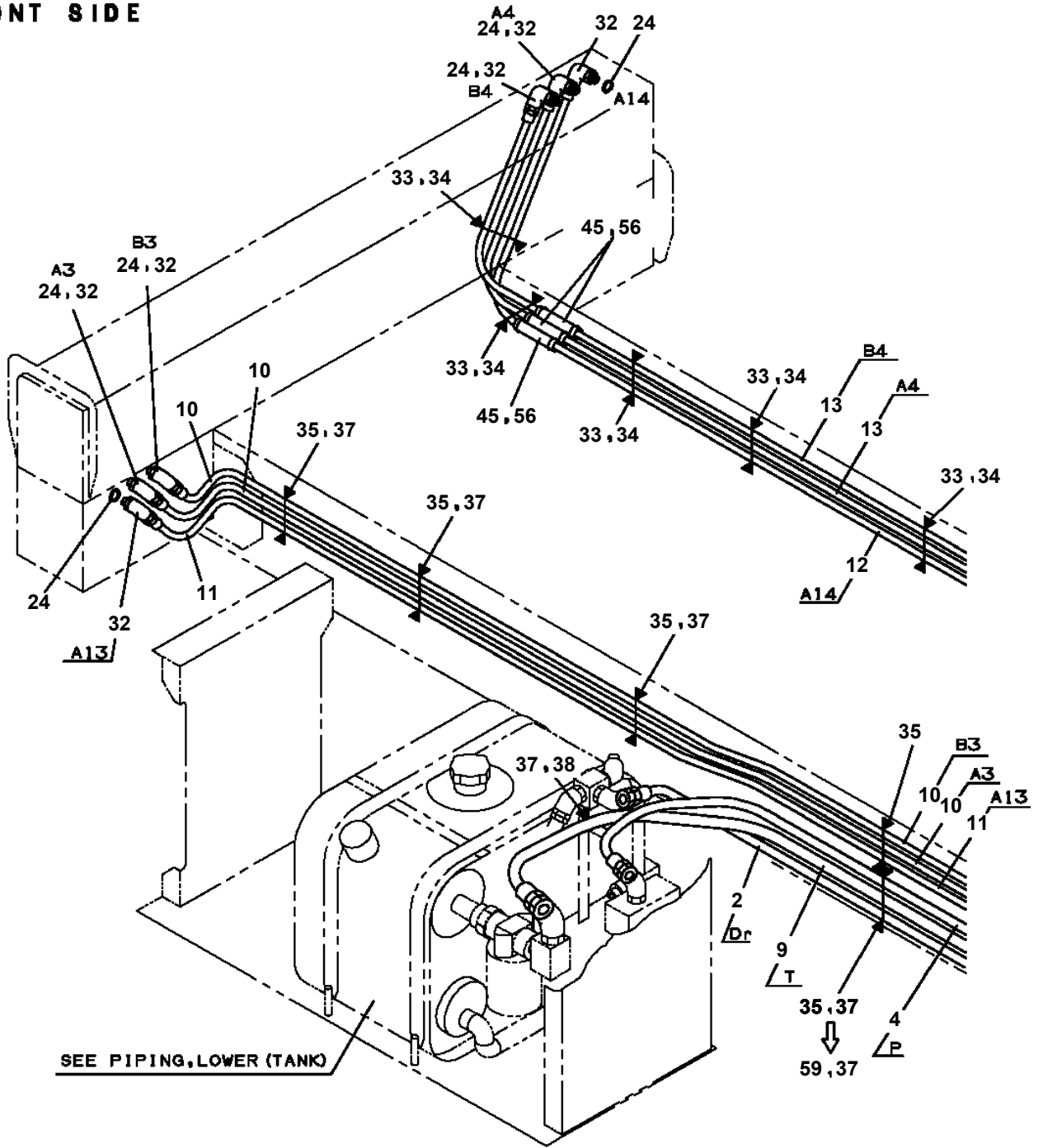
AT-146-1 42095100037 UPPER  
PC1030346-00 CYLINDER,JACK



△: PACKING SET KEY NO. 50 (KEY NO. 4, 5, 6, 7, 11, 12, 13, 14, 16)

**AT-146-1 42095100037 UPPER  
PC1200493-02 PIPING,OUTRIGGER**

**FRONT SIDE**



# AT-146-1 42095100037 UPPER

Pos No.	Parts No	Parts Name	Qty	Unit	Technical Data	Serial No (Start)	Serial No (End)	Remarks	Pages
100	42652131301	CONTROLLER	1						

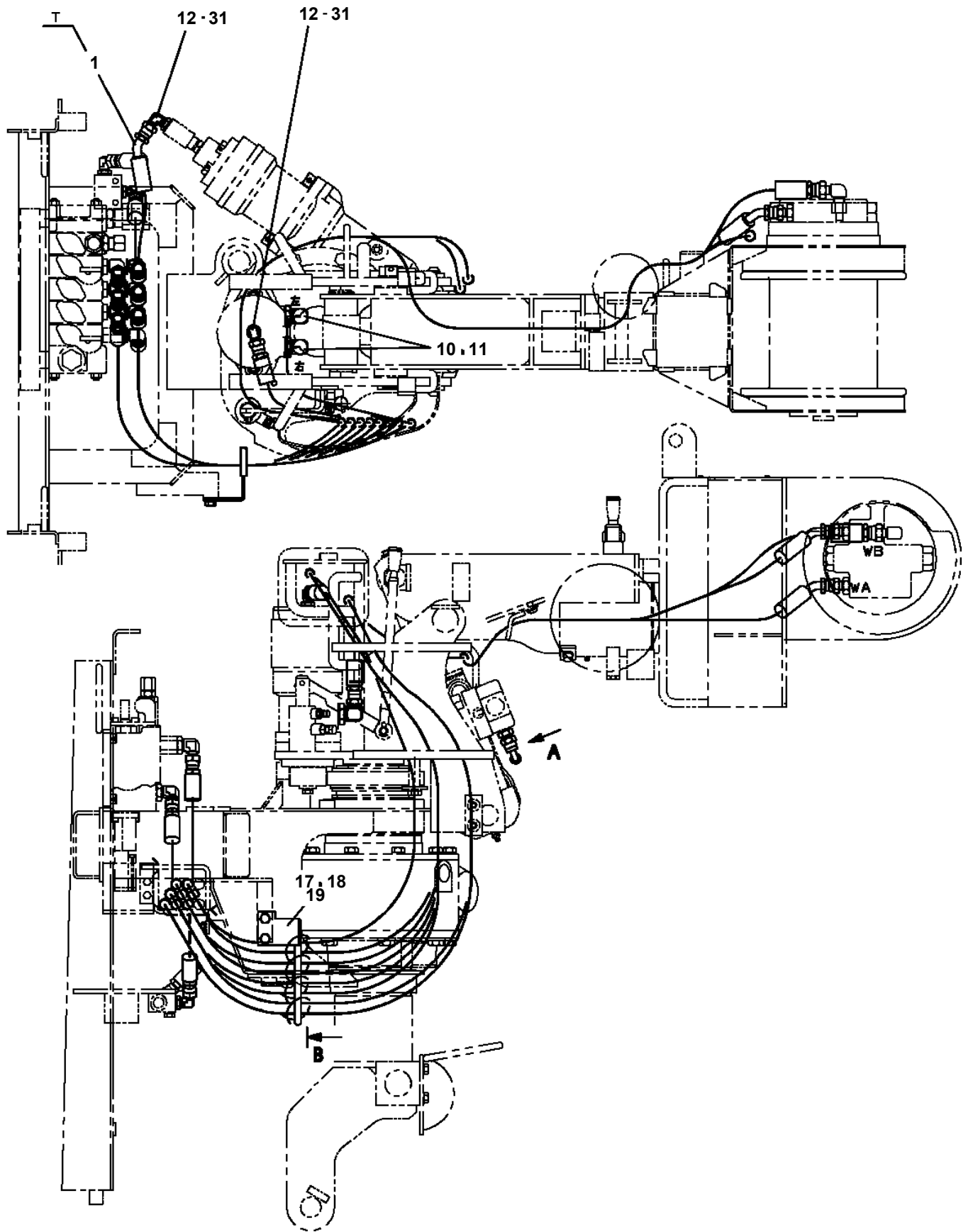
# AT-146-1 4209510037 UPPER

Pos No.	Parts No	Parts Name	Qty	Unit	Technical Data	Serial No (Start)	Serial No (End)
2	36081560000	REDUCER,SWING SPEED	1				
3	90171118070	BOLT (DACRO)	3		M18X70		
4	90303501805	WASHER,PLAIN	6		18		
5	90201781800	NUT (DACRO)	3		M18		
6	90171212035	BOLT (DACRO)	2		M12X35		
7	90710012400	SCREW,SET	2		M12X40		
8	90203201200	NUT	4		M12		
9	90172112035	BOLT,HEXAGON SOCKET	2		M12X35		
10	90302041201	WASHER,SPRING	2		12		
11	36662590000	MOTOR,HYDRAULIC (SWING)	1				
12	91002908500	O-RING	1		1B G85		
31	37002302450	BEARING,SWING (NSK)	1				
32	37002303560	BEARING,SWING (NIHON MONORACE)	1				
33	37002304750	BEARING,SWING (KOYO)	1				
41	37002399010	SEAL (UP,DOWN-SIDE SET)	1				
42	82456201000	NIPPLE,GREASE	6		A-TYPE PT1/8		

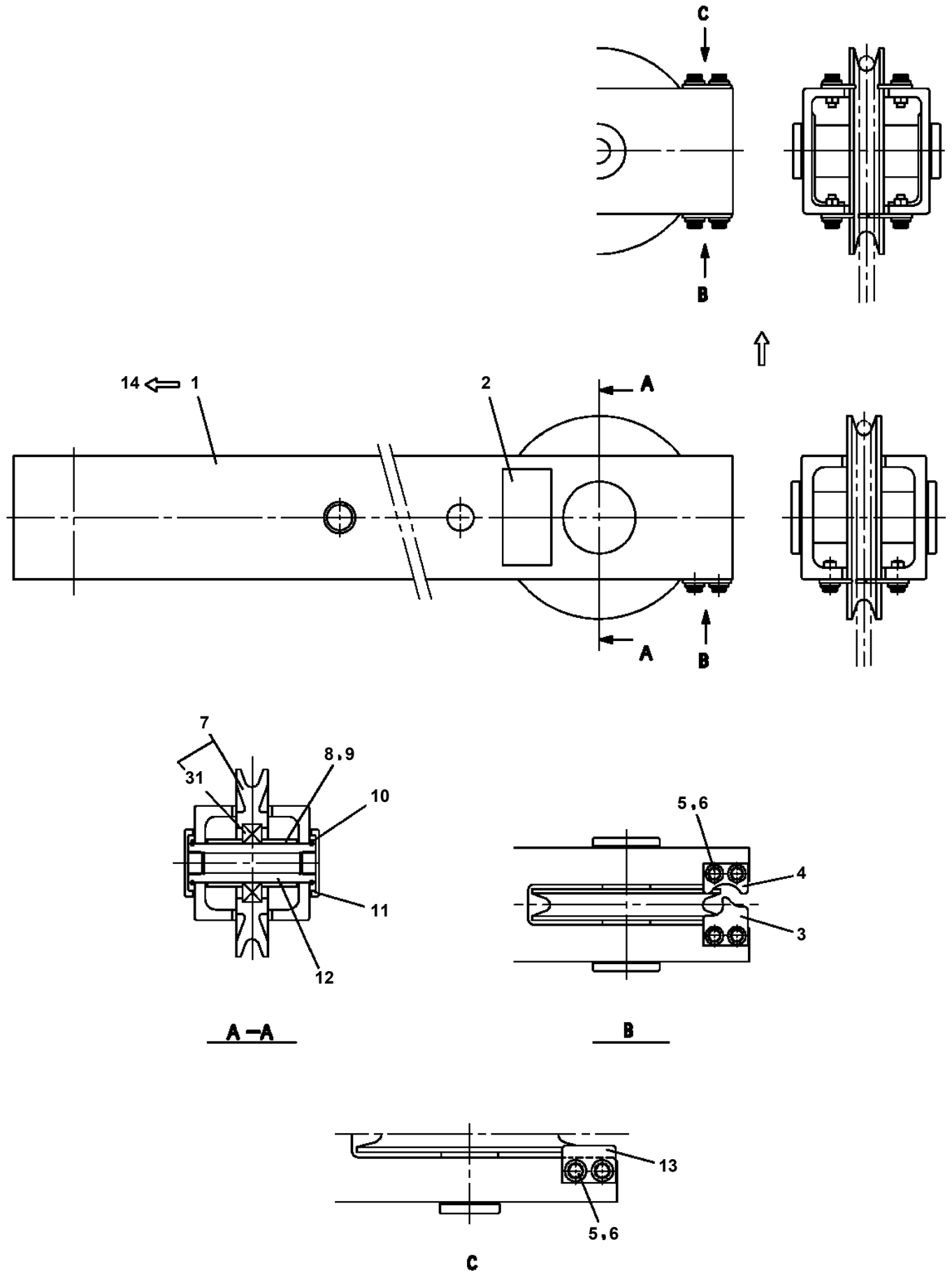
# AT-146-1 4209510037 UPPER

Pos No.	Parts No	Parts Name	Qty	Unit	Technical Data	Serial No (Start)	Serial No (End)	Remarks
1	36073825050	DRUM	1					
5	36072495040	SHAFT	1					
6	36073825140	GEAR,INPUT	1					
10	36072495080	BUSH	1					
12	36072495090	RING,RETAINING	1					
13	36072495100	RING	1					
14	36072495110	DISTANCE PIECE	2					
15	36073825060	SEAL,OIL	1					
16	36072495130	SEAL,OIL	1					
17	36072495140	PIN	26					
18	36073825030	PIN	2					
19	36073825040	BOLT,HEXAGON SOCKET	4					
20	36072495150	BEARING,BALL	1					
21	36072495160	BEARING,BALL	1					
24	36072495170	RING,RETAINING	2					
25	80601110170	RING,RITAINING	4		S17			
26	36072495180	RING,RETAINING	1					
27	91002800900	O-RING	1		1B P9			
30	91001012500	O-RING	1		S125			
33	80316030060	PLUG	2		PT3/8			
34	36072495190	ORIFICE	1					
102	36072495220	SHAFT	1					
103	36072495230	PLATE,THRUST	1					
104	36072495240	BLOCK,CYLINDER	1					
107	36661055260	PLATE (RETAINER)	1					
108	36661055270	PLATE,THRUST	1					
109	36072495260	PLATE,TIMING	1					
110	36072495270	WASHER	2					
112	36073825090	PISTON	1					
113	36072495290	SPRING	2					
114	36072495300	SPRING	1					
115	36661055350	PLATE (FRICTION)	2					
116	36661055360	PLATE (MATING)	2					
118	91002910500	O-RING	1		1B G105			
119	91002912000	O-RING	1		1B G120			
120	91002801200	O-RING	1		1B P12			
121	91002802200	O-RING	2		1B P22			
123	36072495310	PLUG	2					
124	36073825100	STOPPER	1					
125	36072495330	STOPPER	1					
126	36072495340	SPRING	2					
127	36073825110	SPRING	1					
128	36072495350	THROTTLE	2					
129	36661055400	PLUG	1					
130	36661055410	VALVE	1					
131	36661055420	SPRING	1					
132	36661055440	SEAL,OIL	1		15Z-17X35X8			
133	36663495450	BEARING,BALL	1					
134	36072495390	BEARING,BALL	1					
135	36072495400	PIN (STRAIGHT)	2		5X12			
136	80730080020	PIN (STRAIGHT)	2		8X20			
137	36073825120	ROLLER,NEEDLE	3					
138	36072495370	RING,RETAINING	1					
139	90131908025	BOLT,HEXAGON SOCKET	6		M8X25			
143	36661055450	RING,RETAINING	1					
300	36073825010	REDUCER ASSY	1					
310	36073825020	SPINDLE KIT	1					
320	36072495030	GEAR ASSY (RV)	1					
330	36072495070	GEAR,SPUR (2PIECES)	1					
400	36073825070	MOTOR ASSY	1					
410	36073825080	FLANGE SET(REAR)	1					
420	36072495250	PISTON KIT	1					
490	36073825130	SEAL KIT	1					

AT-146-1 42095100037 UPPER  
PF1200315-00 PIPING,WINCH



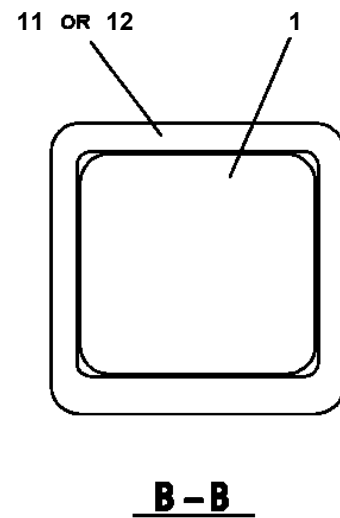
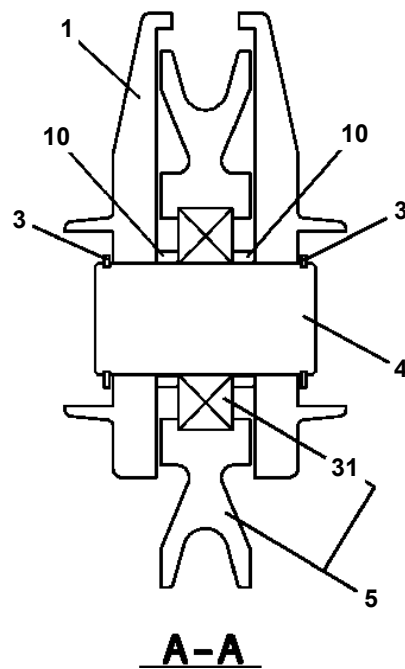
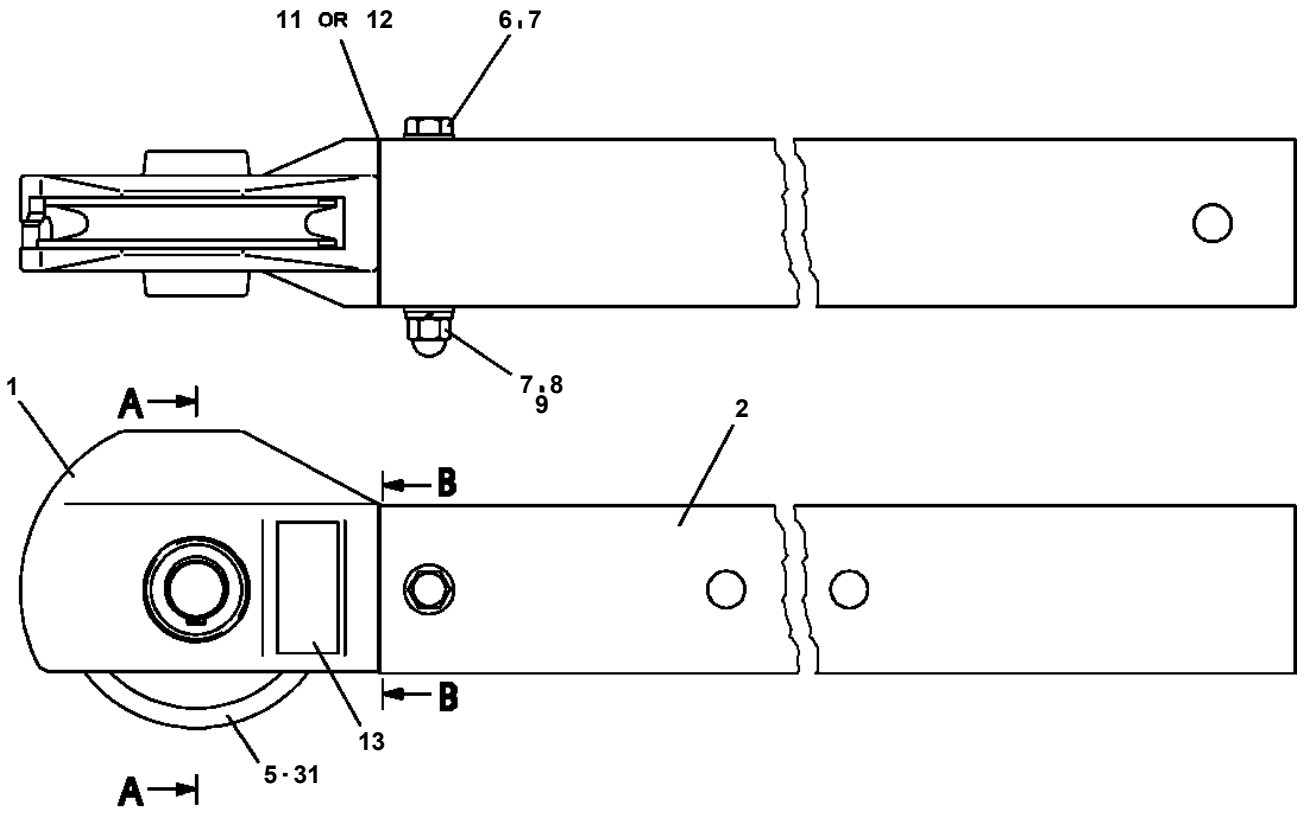
**AT-146-1 42095100037 UPPER  
PF1350041-02 WINCH, JIB (FRP, INSULATION, YELLOW)**



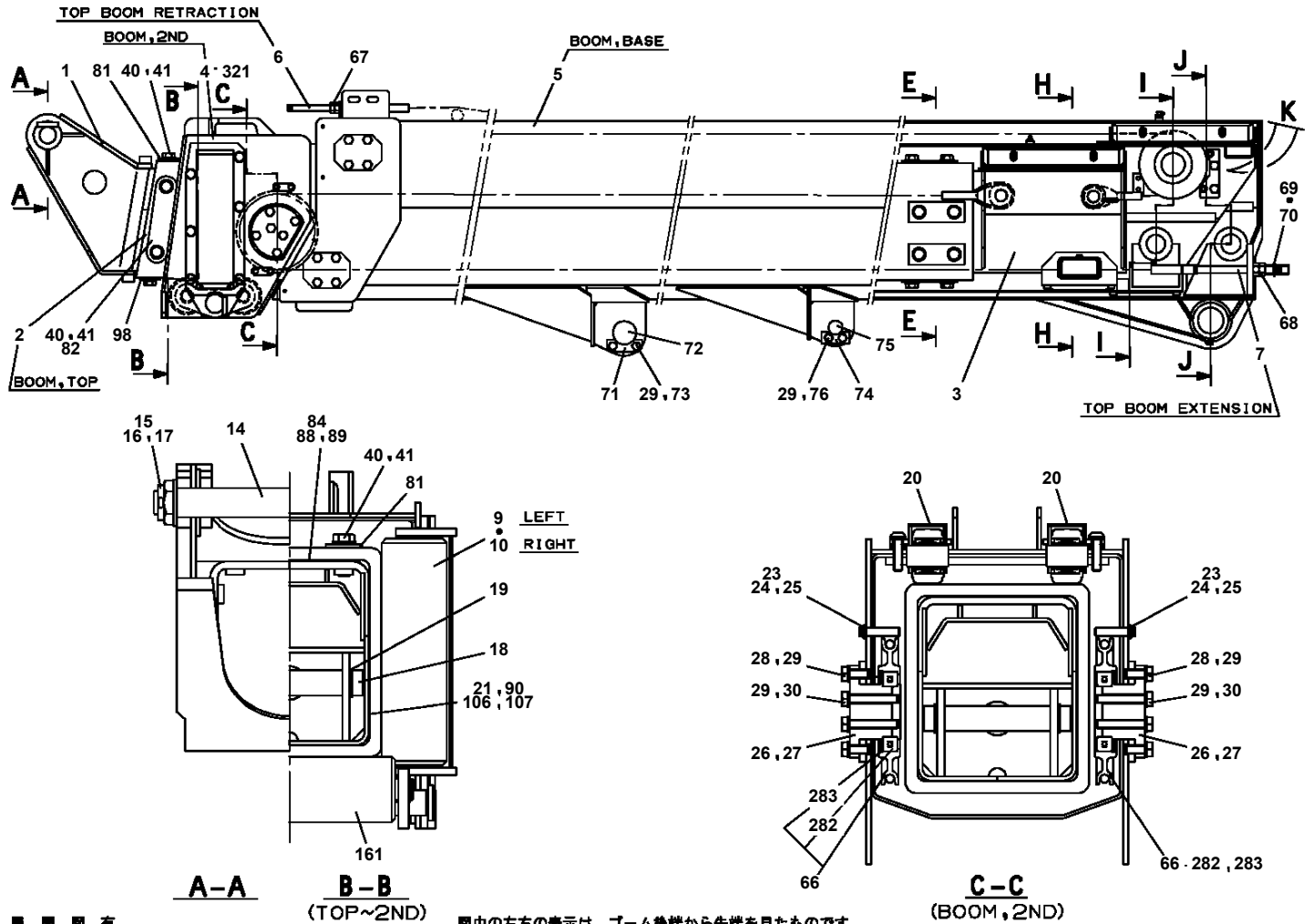
# AT-146-1 42095100037 UPPER

Pos No.	Parts No	Parts Name	Qty	Unit	Technical Data	Serial No (Start)	Serial No (End)	Remarks	Pages
1	42311306100	COVER	1						
2	42311306201	COVER	1						
3	42311306301	COVER	1						
4	42311306400	COVER	1						
5	42311306500	COVER	1						
6	90183108020	BOLT	20		M8X20				
7	37000565980	PLATE	16						
8	37000565990	PLATE	4						

**AT-146-1 42095100037 UPPER  
PF1350107-00 WINCH,JIB (FRP/INTEGRATED SUPPORT,GRAY)**



**AT-146-1 42095100037 UPPER  
PG1010727-02 BOOM**



展開図有

ILLUSTRATED BREAKDOWN NO. 5, 9, 10, 20, 161 51

図中の左右の表示は、ブーム後端から先端を見たものです。

THE RIGHT AND LEFT IN FIGURE ARE THE EXPRESSION THAT SEES FROM BOOM END TO TOP.

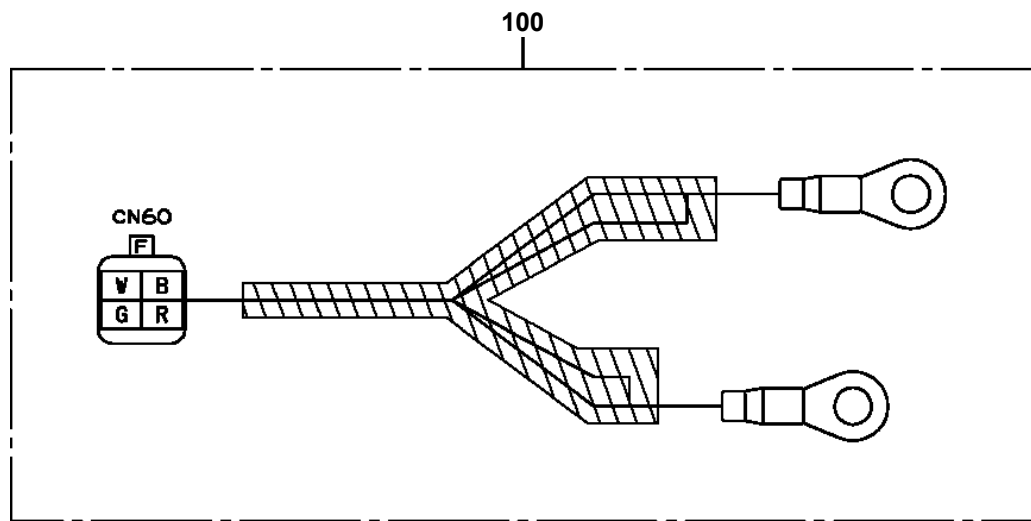
# AT-146-1 42095100037 UPPER

Pos No.	Parts No	Parts Name	Qty	Unit	Technical Data	Serial No (Start)	Serial No (End)	Remark
1	36130235010	PLATE (BASE)	1					
2	36131825010	CASE	1					
3	36131825020	DRUM ASSY	1					
4	36131345010	COVER	1					
5	31370105030	PACKING	1					
6	31370005030	PACKING	1					
7	36130235090	WASHER,SEAL	1					
8	36131825030	BRACKET	1					
9	36131825040	CABLE ASSY	1					
10	36131195030	POTENTIOMETER	1					
11	36130235100	CLAMP (CORD)	1					
12	36130045090	CLIP (NYLON)	1					
13	32360005150	CLIP (NYLON)	1					
14	36130235070	GEAR (A)	1					
15	36131825050	GEAR	1					
18	36160435100	COLLAR	1					
19	31370005080	GUIDE (CORD)	1					
20	36131825060	LOCK (CORD)	1					
21	82100000191	TERMINAL	1					
31	82100000080	CORD (1-LINE)	8	M				
100	36131820000	DETECTOR,BOOM LENGTH	1					

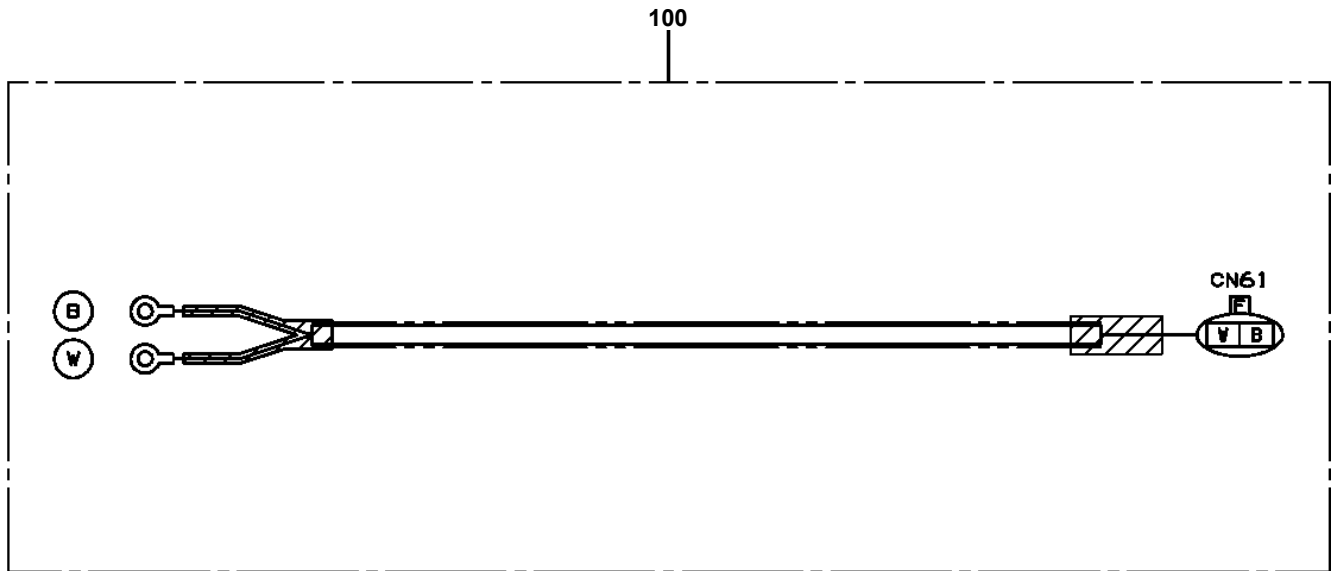
# AT-146-1 4209510037 UPPER

Pos No.	Parts No	Parts Name	Qty	Unit	Technical Data	Serial No (Start)	Serial No (End)	Remarks	Pages
1	42264602100	COVER	1						
2	42264602200	COVER	1						
3	42264602301	COVER	1						
4	90183108030	BOLT	2		M8X30				
5	90183108020	BOLT	2		M8X20				
6	37000575990	PLATE	2						
7	37000576000	PLATE	2						
8	37000565980	PLATE	2				227661		
9	90183106020	BOLT	2		M6X20				
10	37000520150	PLATE	2						
11	37000568770	PLATE	2		T=1.5	227597			

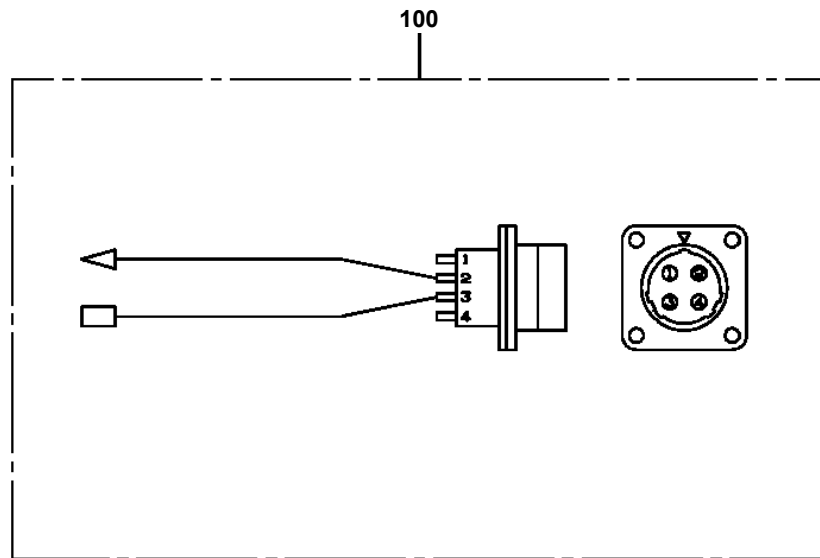
AT-146-1 42095100037 UPPER  
PH5031064-00 HARNESS



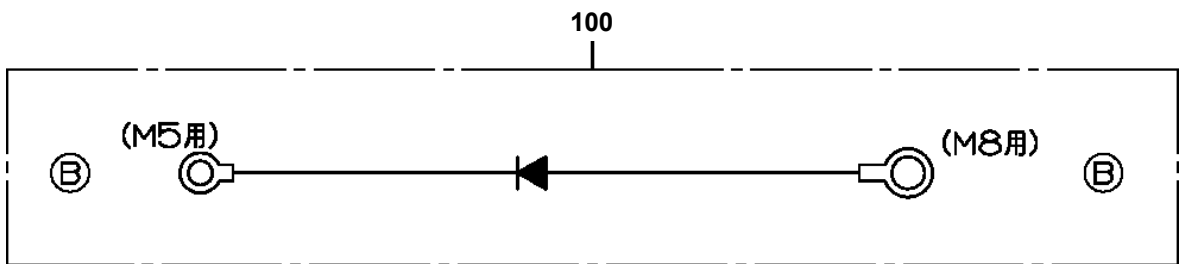
AT-146-1 42095100037 UPPER  
PH5032282-00 HARNESS



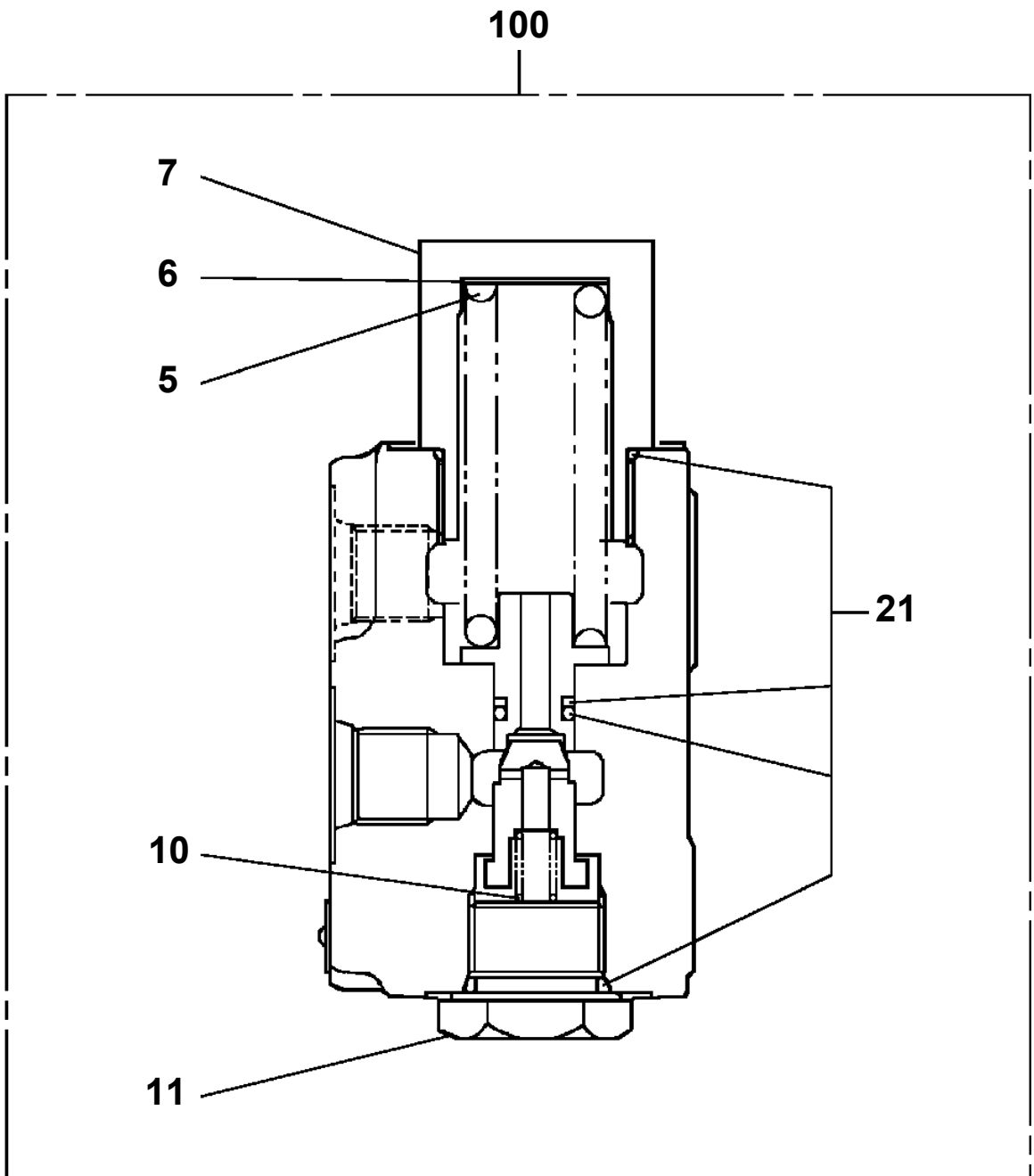
**AT-146-1 42095100037 UPPER  
PH5032349-00 HARNESS**



AT-146-1 42095100037 UPPER  
PH5034452-00 HARNESS

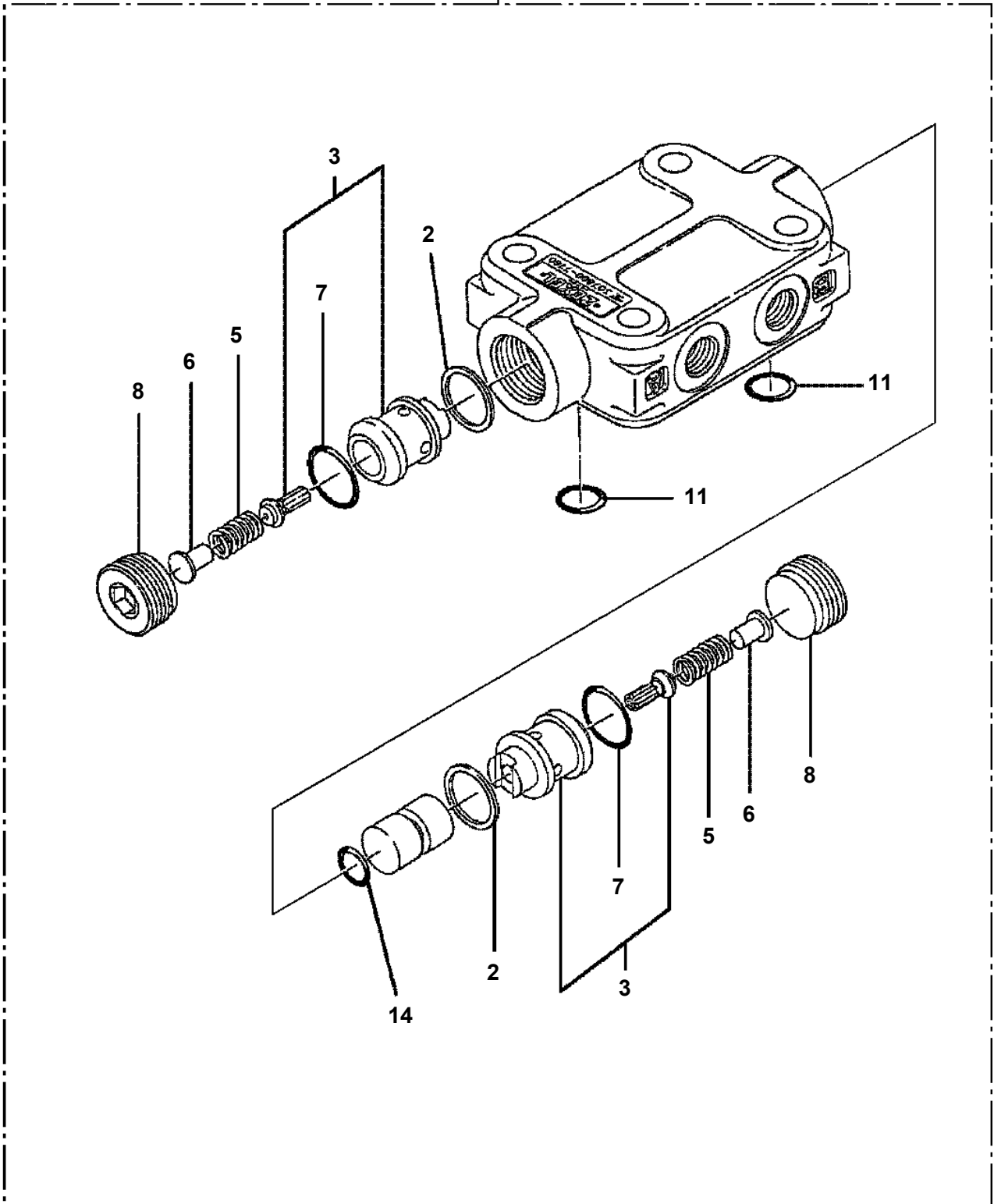


AT-146-1 42095100037 UPPER  
PI1100122-00 VALVE,RELIEF



AT-146-1 42095100037 UPPER  
PI1140133-01 VALVE,CHECK

100 → (A)



CLICK HERE TO **DOWNLOAD** THE COMPLETE MANUAL

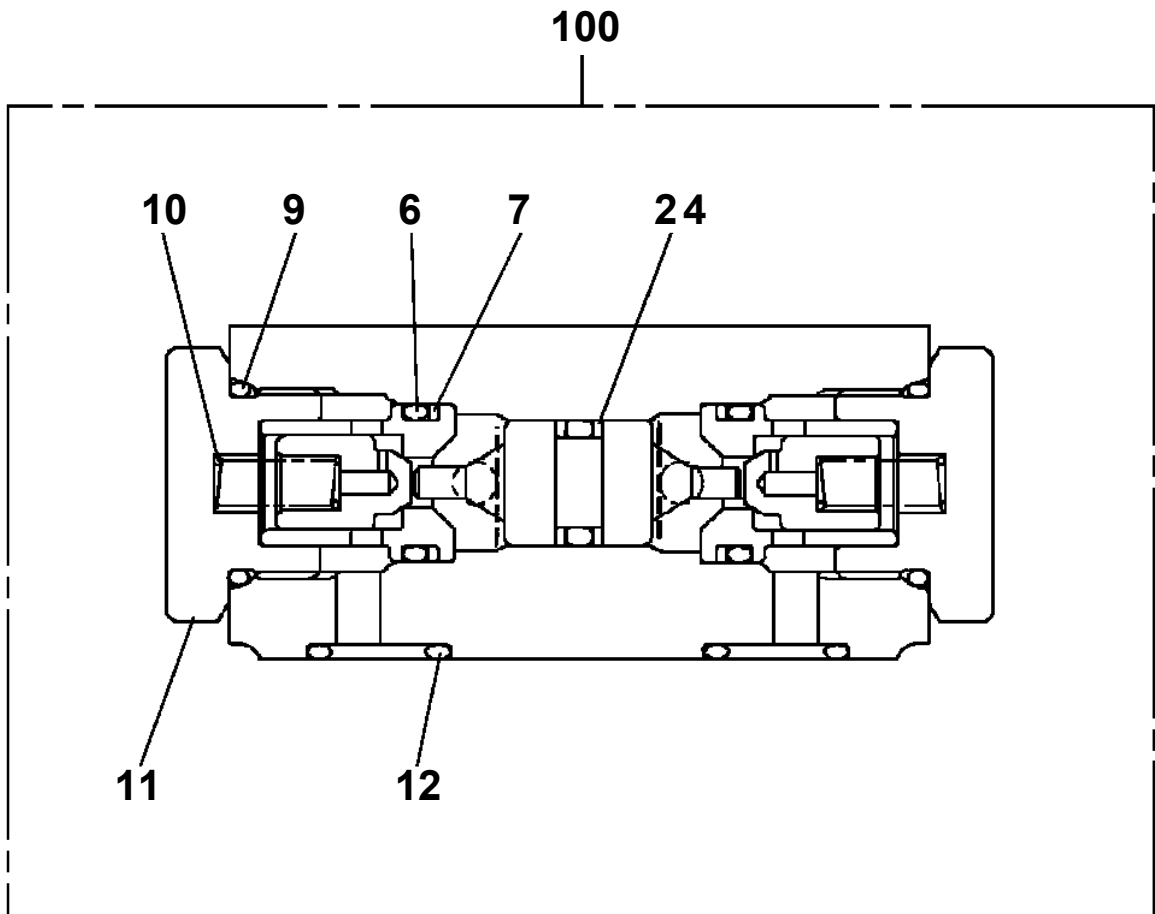
- Thank you very much for reading the preview of the manual.
- You can download the complete manual from: [www.heydownloads.com](http://www.heydownloads.com) by clicking the link below



- Please note: If there is no response to CLICKING the link, please download this PDF first and then click on it.

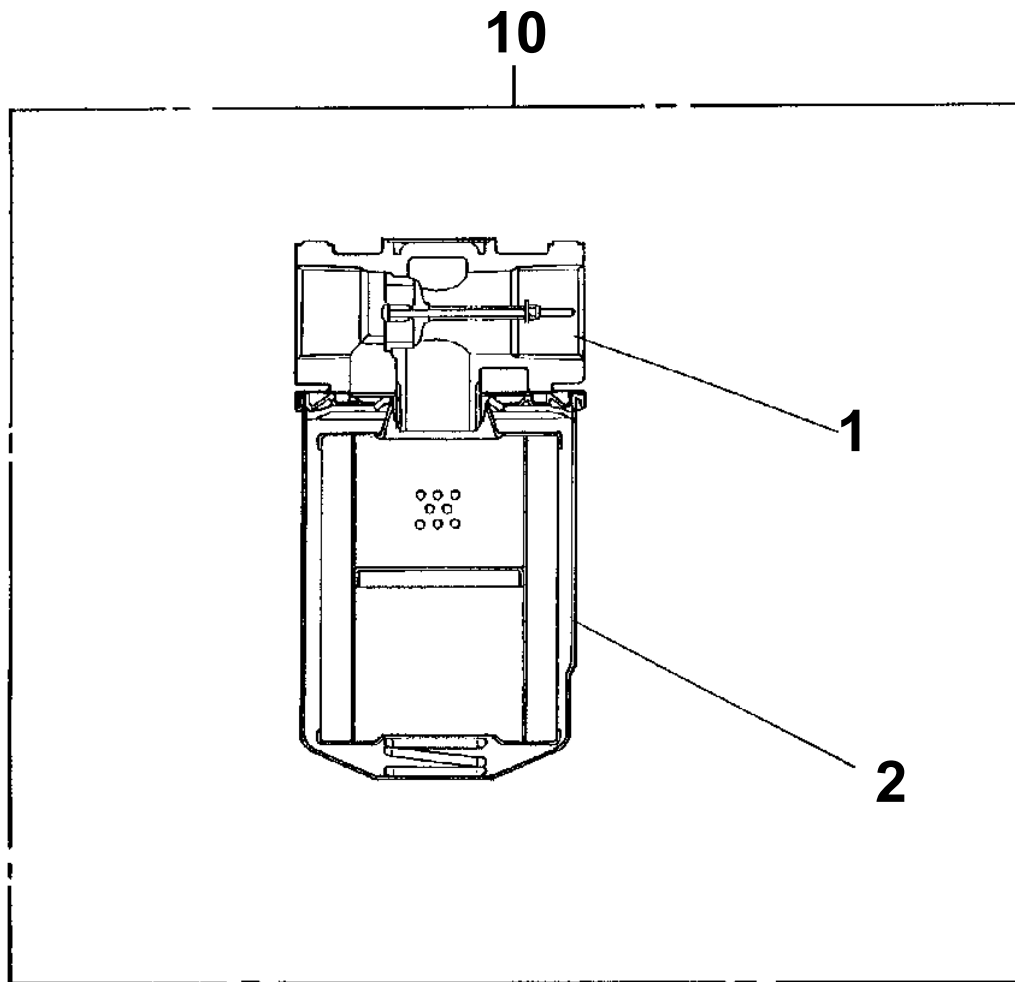
CLICK HERE TO **DOWNLOAD** THE COMPLETE MANUAL

AT-146-1 42095100037 UPPER  
PI1140214-00 VALVE,CHECK



**AT-146-1 42095100037 UPPER  
PI1300061-02 FILTER,OIL (YAMASHIN)**

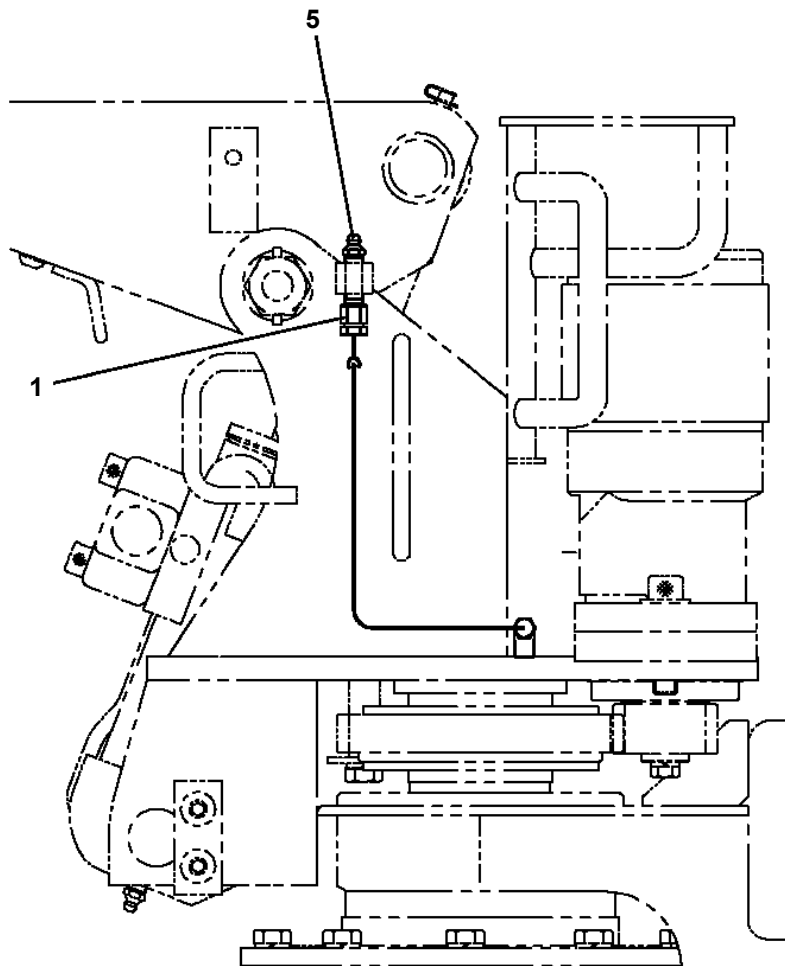
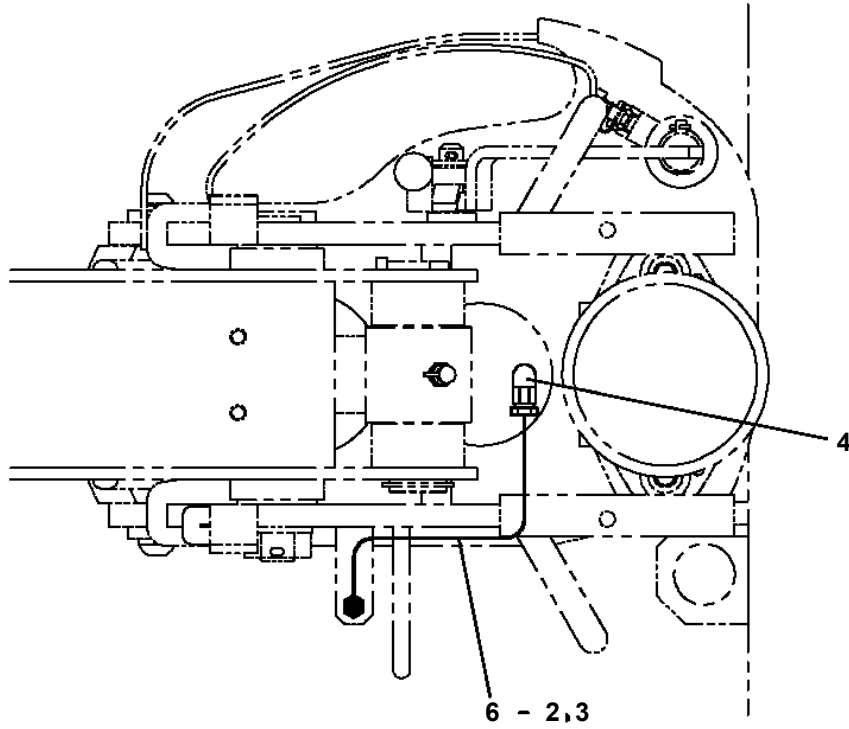
Assembly Name FILTER, OIL



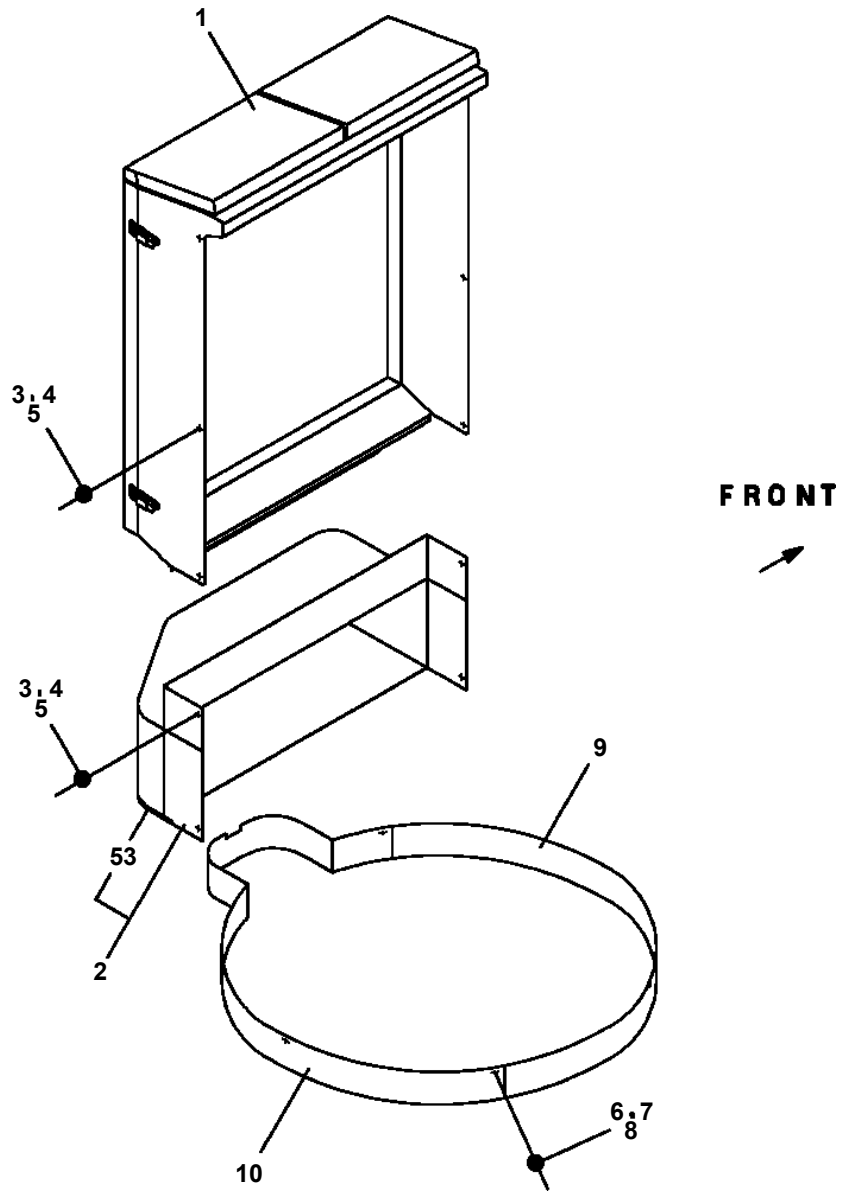
# AT-146-1 4209510037 UPPER

Pos No.	Parts No	Parts Name	Qty	Unit	Technical Data	Serial No (Start)	Serial No (End)	Remarks
21	42331942000	LEVER,CONTROL	1					
22	90183106015	BOLT	4		M6X15			
23	37000568730	PLATE	10		T=1.5			
31	37000156390	PIN	1					
32	80720104020	PIN,SPRING	2		4X20			
33	42331991500	ROD	4					
34	31320020010	KNOB (BLACK)	5					
35	42331261100	LEVER	1					
36	42331261200	LEVER	1					
37	42331261300	LEVER	1					
38	42331261400	LEVER	1					
39	42331261500	LEVER	1					
40	36637970000	VALVE,MANUAL CONTROL	1					
41	37000105610	PIN	5		L=18			
42	80136320010	PIN,SPLIT	5		2X10			
43	90172108020	BOLT,HEXAGON SOCKET	3		M8X20			
44	42331991400	ROD	1					
45	90183106020	BOLT	6		M6X20			
47	42332041100	PANEL	1					

**AT-146-1 42095100037 UPPER  
PJ3250009-01 PIPING, GREASE (WINCH)**



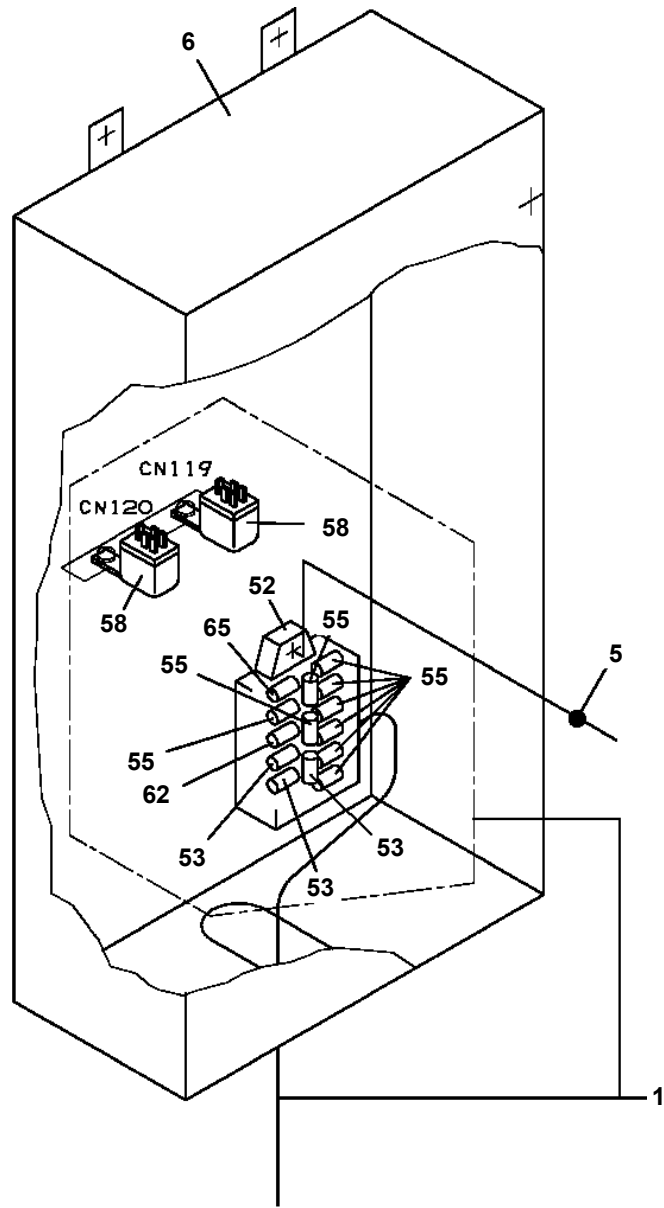
**AT-146-1 42095100037 UPPER  
PK1200397-02 COVER, SWING FRAME**



# AT-146-1 4209510037 UPPER

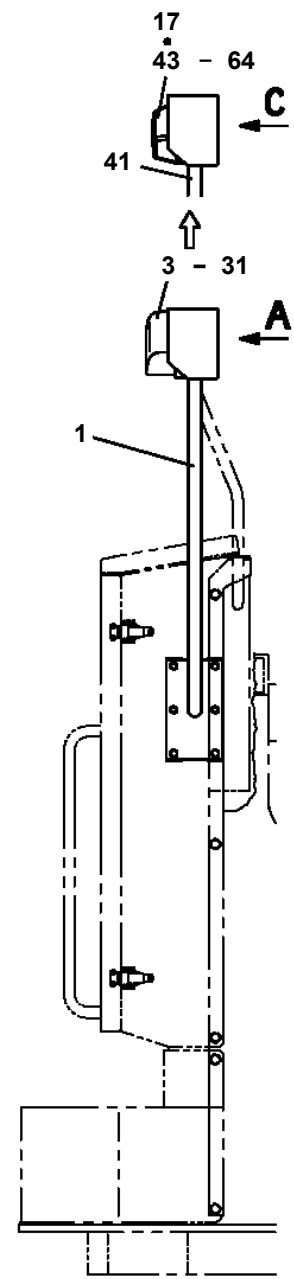
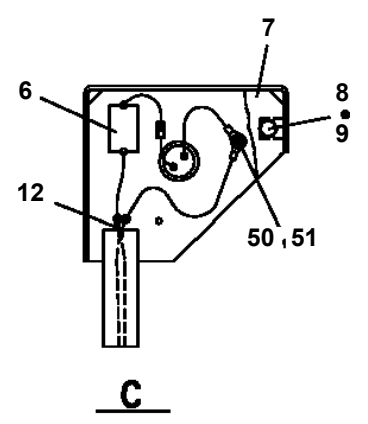
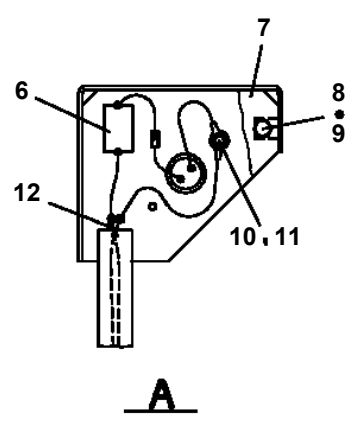
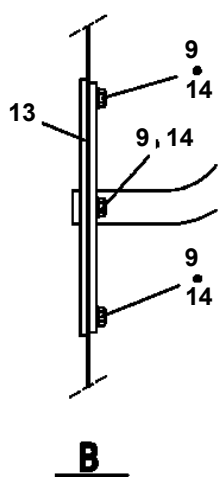
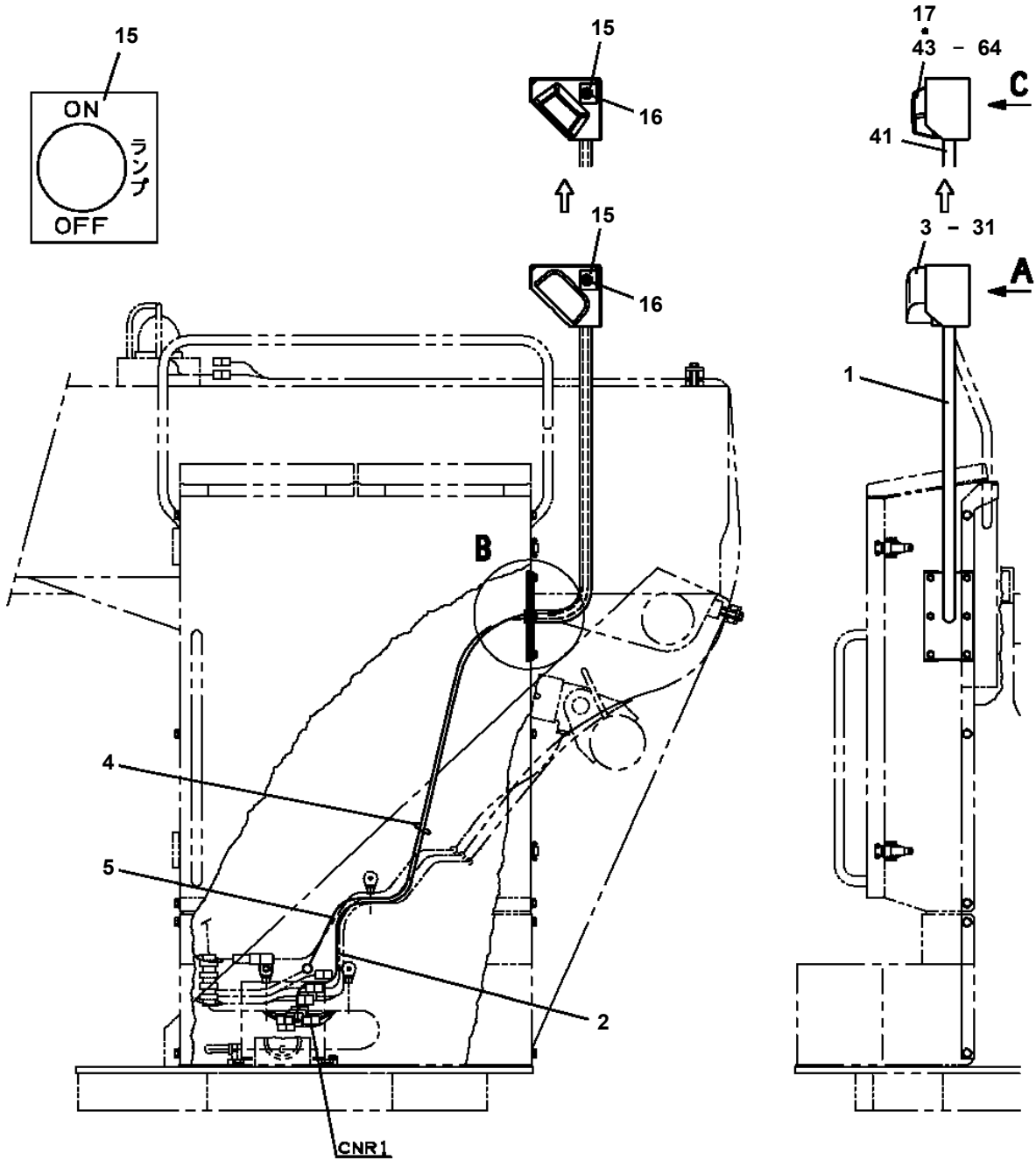
Pos No.	Parts No	Parts Name	Qty	Unit	Technical Data	Serial No (Start)	Serial No (End)	Remarks
1	42352350100	HARNESS	1		L=7000			
2	37000300720	SLEEVE	3		12-10			
3	42353340101	SUPPORT	1					
4	42352350300	HARNESS	1					
5	42353341001	TERMINAL ASSY	1					
8	90171108016	BOLT	2		M8X16			
9	90302040801	WASHER,SPRING	2		8			
11	42352350400	HARNESS	1					
12	91810130240	FASTENER	20					
13	90171110025	BOLT	4		M10X25			
14	90302041001	WASHER,SPRING	6		10			
15	90302040601	WASHER,SPRING	3		6			
16	90201200600	NUT	1		M6			
17	80172804006	SCREW,MACHINE	4		M4X6			
18	82100002002	CLAMP	2		WR6			
19	90101206012	BOLT	2		M6X12			
20	42351480550	HARNESS	1					
21	90303071001	WASHER,PLAIN	6		10			
22	90303070801	WASHER,PLAIN	2		8			
23	37000560050	PLATE	1					
24	42353342002	TERMINAL ASSY	1					
25	90172110030	BOLT,HEXAGON SOCKET	2		M10X30			
26	37000578350	PLATE	3					
41	42353341400	TERMINAL	2					
42	42353341500	SUPPORT	1					
43	80172804020	SCREW,MACHINE	4		M4X20			
44	42353341600	SUPPORT	1					
45	90172105012	BOLT,HEXAGON SOCKET	2		M5X12			
46	90302040501	WASHER,SPRING	2		5			
71	42353342400	TERMINAL	2					
72	42353342500	SUPPORT	2					
73	80136320016	PIN,SPLIT	2		2X16			
74	16311103000	SPRING	1					
75	42353342060	SCREW,SET	2		M6X35			
76	90201200600	NUT	2		M6			
77	90303521401	WASHER,PLAIN	4		14			
78	42353342100	BOLT	2					
79	42353342601	SUPPORT	1					
80	80801001415	BEARING,PLAIN	2					
81	90720005160	SCREW,SET	2		M5X16			
82	90201200500	NUT	2		M5			
83	80820001010	BEARING,PLAIN	2					
84	80801001010	BEARING,PLAIN	2					

**AT-146-1 42095100037 UPPER  
PN1013286-00 ELEC.ASSY (FRAME)**



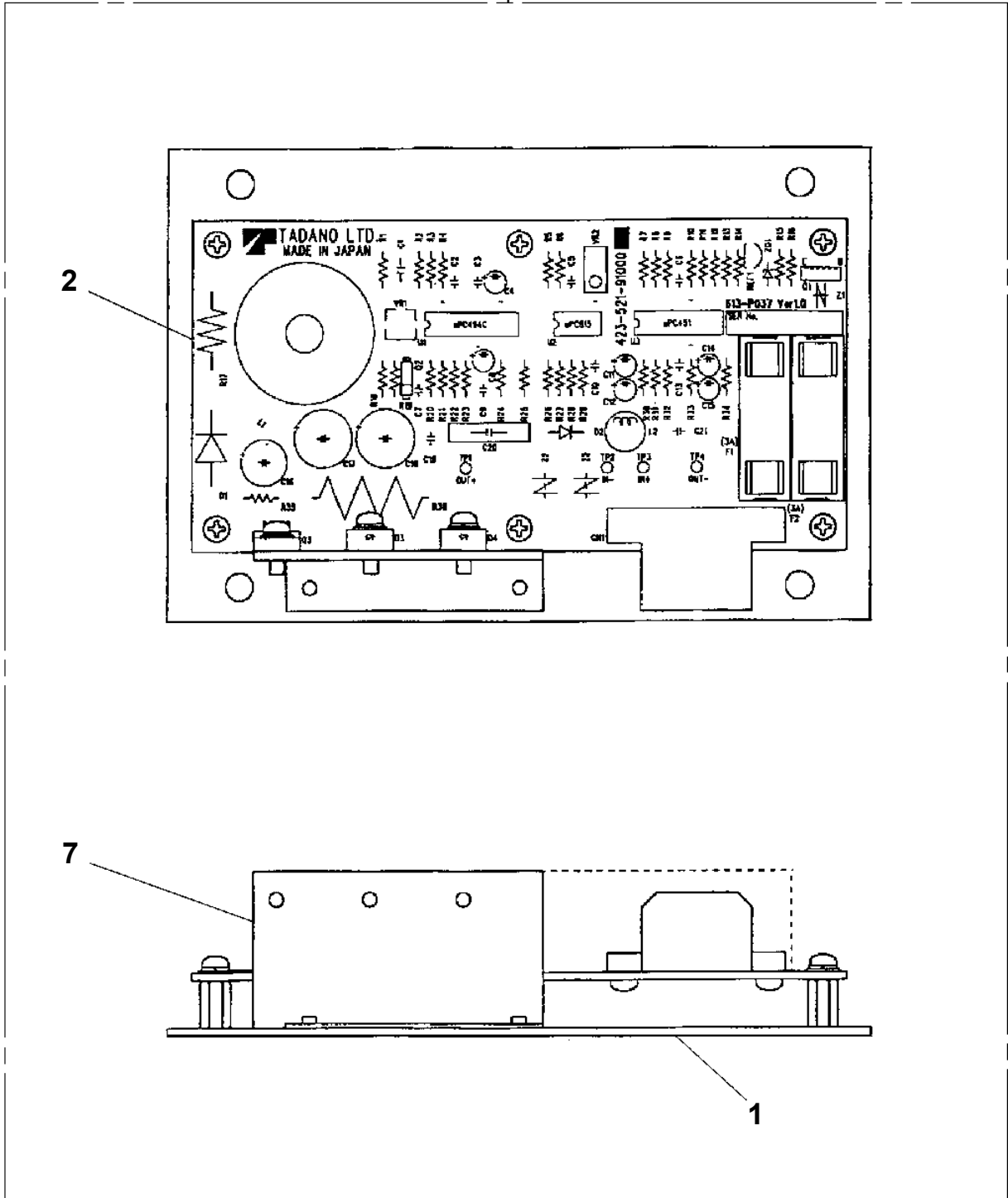
**B**

**AT-146-1 42095100037 UPPER  
PN1080107-02 LAMP (SWING FRAME)**



AT-146-1 42095100037 UPPER  
PN1190002-00 CONVERTER (DC-DC)

10



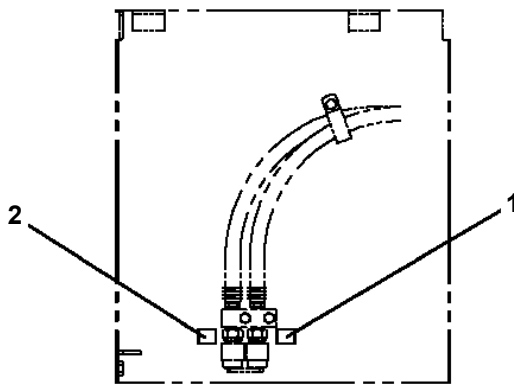
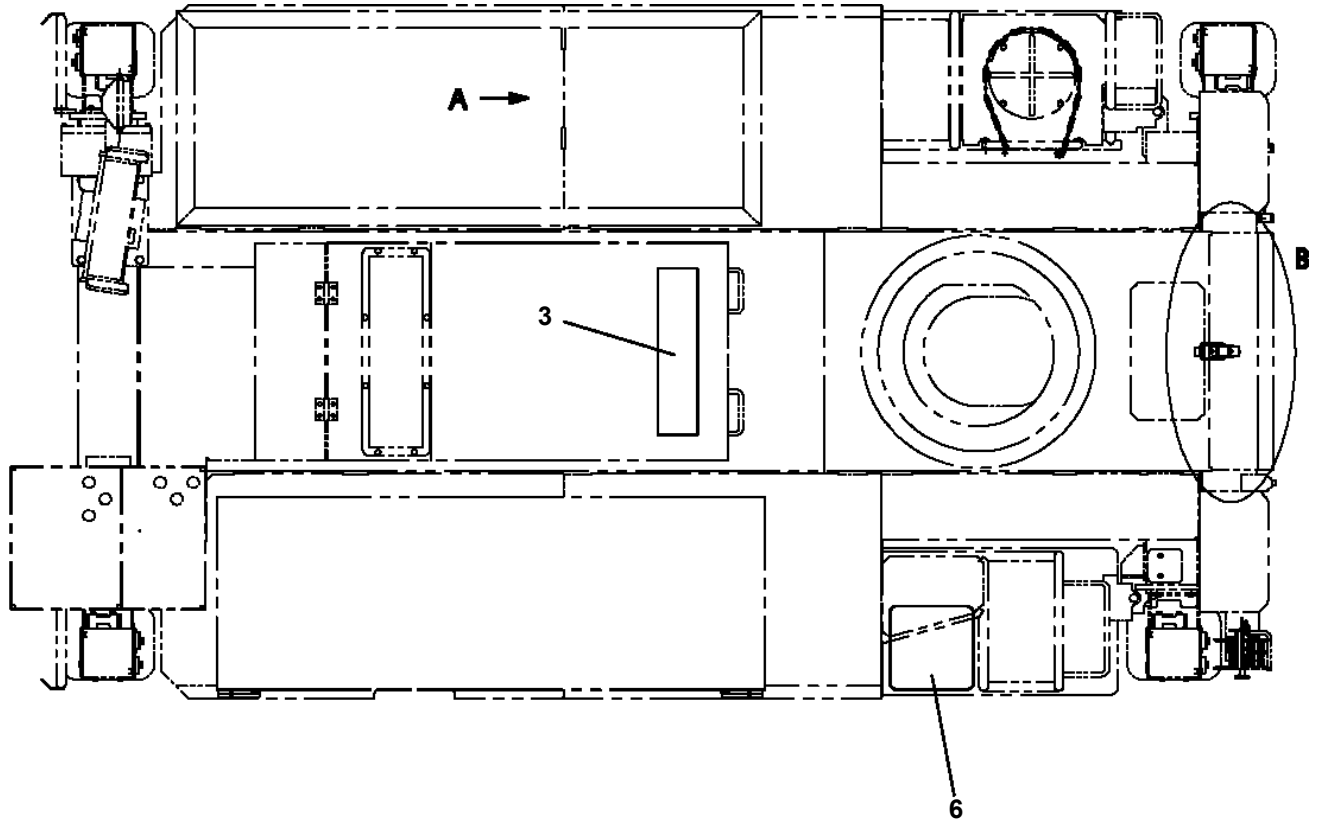
# AT-146-1 42095100037 UPPER

Pos No.	Parts No	Parts Name	Qty	Unit	Technical Data	Serial No (Start)	Serial No (End)	Remarks	Pages
1	42479520100	HARNESS	1						
2	91810130240	FASTENER	15						
3	42479520200	PLATE	1						
4	90101208020	BOLT	2		M8X20				
5	82100002645	SOCKET	2						
6	82193105020	TIMER	2						
7	82199603010	SUPPORT	2						
8	80172303012	SCREW,MACHINE	4		M3X12				
9	90302040301	WASHER,SPRING	4		3				
10	82100000191	TERMINAL	3						
11	82100000183	INSULATOR	3						
12	82100000192	TERMINAL	3						
13	82100000182	INSULATOR	3						

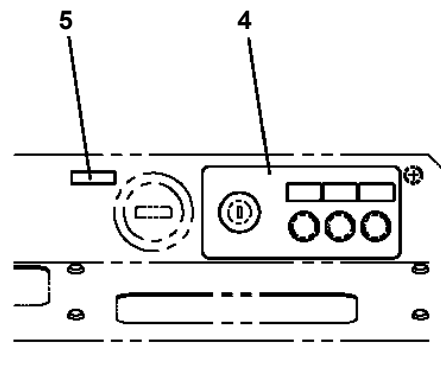
# AT-146-1 42095100037 UPPER

Pos No.	Parts No	Parts Name	Qty	Unit	Technical Data	Serial No (Start)	Serial No (End)
1	42392582060	PLATE,CAUTION	1				
2	42392582080	PLATE,CAUTION	1				
3	42394782010	PLATE,CAUTION	1				
4	42390780040	PLATE,NAME (WORKING SWITCH)	1				
5	42390010290	PLATE,NAME (AML)	1				
6	42394271040	PLATE,NAME (AML PREOPERATIONAL)	1				
7	42394783030	PLATE,NAME	1				
8	42394271120	PLATE,NAME (STOP)	1				
9	42394782020	PLATE,CAUTION	1				
10	42394191180	PLATE,CAUTION	1				
11	37002201980	PLATE,NAME	2				
13	42394782040	PLATE,CAUTION	1				

AT-146-1 42095100037 UPPER  
PO1013874-00 PLATE ASSY,NAME (ENGINE UNIT)



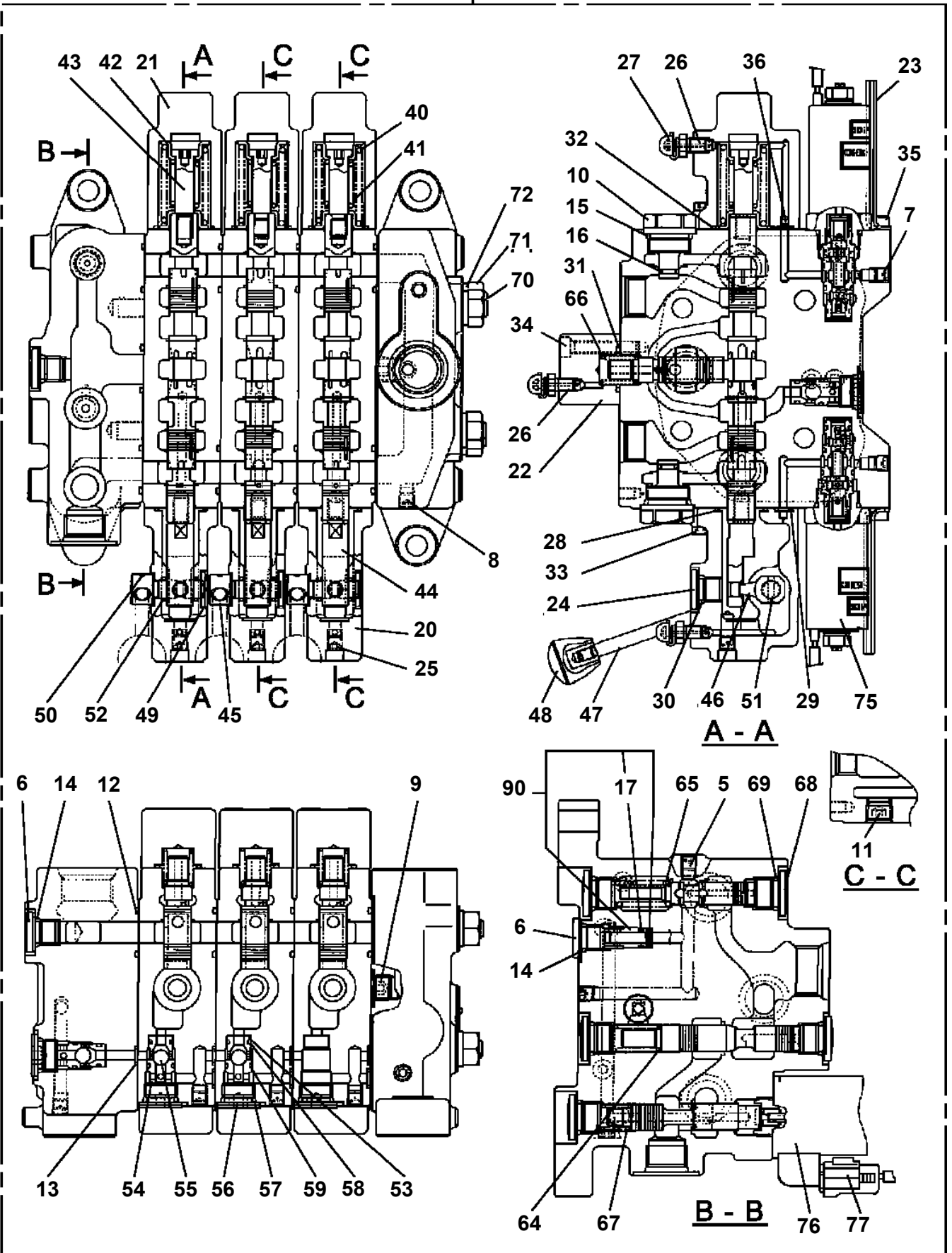
A



B  
(OPEN THE COVER)

AT-146-1 42095100037 UPPER  
 PV1020276-01 VALVE,REMOTE CONTROL

100



# AT-146-1 42095100037 UPPER

Pos No.	Parts No	Parts Name	Qty	Unit	Technical Data	Se
1	42470980100	SWITCH,PUSH	1			
2	82100002220	CABLE	5	M		
3	82100002173	CONNECTOR	1			
10	42470985000	SWITCH BOX (ELECTRIC BOOSTER, 5M,NANABOSI,SINKOU DENKI)	1			

# AT-146-1 42095100037 UPPER

Pos No.	Parts No	Parts Name	Qty	Unit	Technical Data	Serial No (Start)	Serial No (End)	Remarks	Pages
1	42478920100	BLADE,WIPER	1						
21	42478920110	SUPPORT	1						
22	42478920120	BLADE	1						
23	42478920130	PLATE	1						
24	90101208016	BOLT	5		M8X16				
25	90201200800	NUT	5		M8				
26	90302040801	WASHER,SPRING	5		8				

# AT-146-1 42095100037 UPPER

Pos No.	Parts No	Parts Name	Qty	Unit	Technical Data	Serial No (Start)	Serial No (End)	Re
1	42470590000	CLAMP HEAD (O.D.K 7.5TON 3M)	1					

# AT-146-1 4209510037 UPPER

Pos No.	Parts No	Parts Name	Qty	Unit	Technical Data	Serial No (Start)	Serial No (End)	Rem
1	42473857510	SCREW	4					
2	42473857515	SPRING	4					
3	80560053000	BALL,STEEL	4		1/8			
4	42473857520	HEAD (TITAN)	1					
5	42473857530	SPRING	1					
6	42473857535	PIN	1					
7	42473857540	COLLAR	1					
8	42473857545	SPRING	1					
9	42473857550	PISTON	1					
10	91411003500	RING,BACKUP	1					
11	91001103500	O-RING	1		1A P35			
12	42473857560	CYLINDER	1					
13	42473857570	HOLDER	1					
14	42473857575	CAP	1					
15	91001101400	O-RING	1		1A P14			
16	42473857580	CAP	1					
17	42473857590	COVER	1					
18	42473857595	BUTTON (PUSH )	1					
19	42473857600	SPRING	1					
20	42473857605	SWITCH	1					
21	42473857610	HOLDER (SWITCH)	1					
22	42473857615	SCREW	1					
24	42473857620	BINDER	4					
25	42473857625	TUBE	1					
26	42473857630	TUBE	1					
27	42473857635	TUBE	1					
28	42473857640	BINDER	6					
29	42473857645	HOSE	1					
30	42473857650	JOINT	1					
31	42473857655	CABLE	1					
32	42473857660	PLUG (SANWA)	1					
38	80136320010	PIN,SPLIT	1		2X10			
39	42473857675	SEPARATOR	1					
61	42473857670	PROTECTOR ASSY	1					
62	42473857690	CLAMP ASSY	1					
100	42473850000	CLAMP HEAD (IZUMI 8TO,3.5M)	1					

# AT-146-1 42095100037 UPPER

Pos No.	Parts No	Parts Name	Qty	Unit	Technical Data	Serial No (Start)
1	42473190000	CUTTER HEAD (IZUMI 6.4TON 2.5M ELECTRICSANWA)	1			

# AT-146-1 42095100037 UPPER

Pos No.	Parts No	Parts Name	Qty	Unit	Technical Data	Serial No (Start)	Serial No (End)	Remarks
1	42473650000	ROPE (SAFETY,0.5M,D=24)	1					

# AT-146-1 42095100037 UPPER

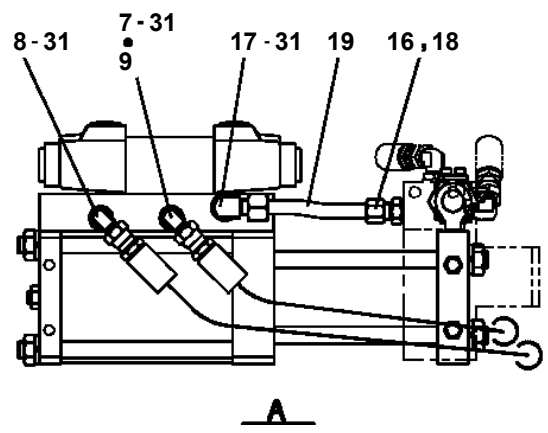
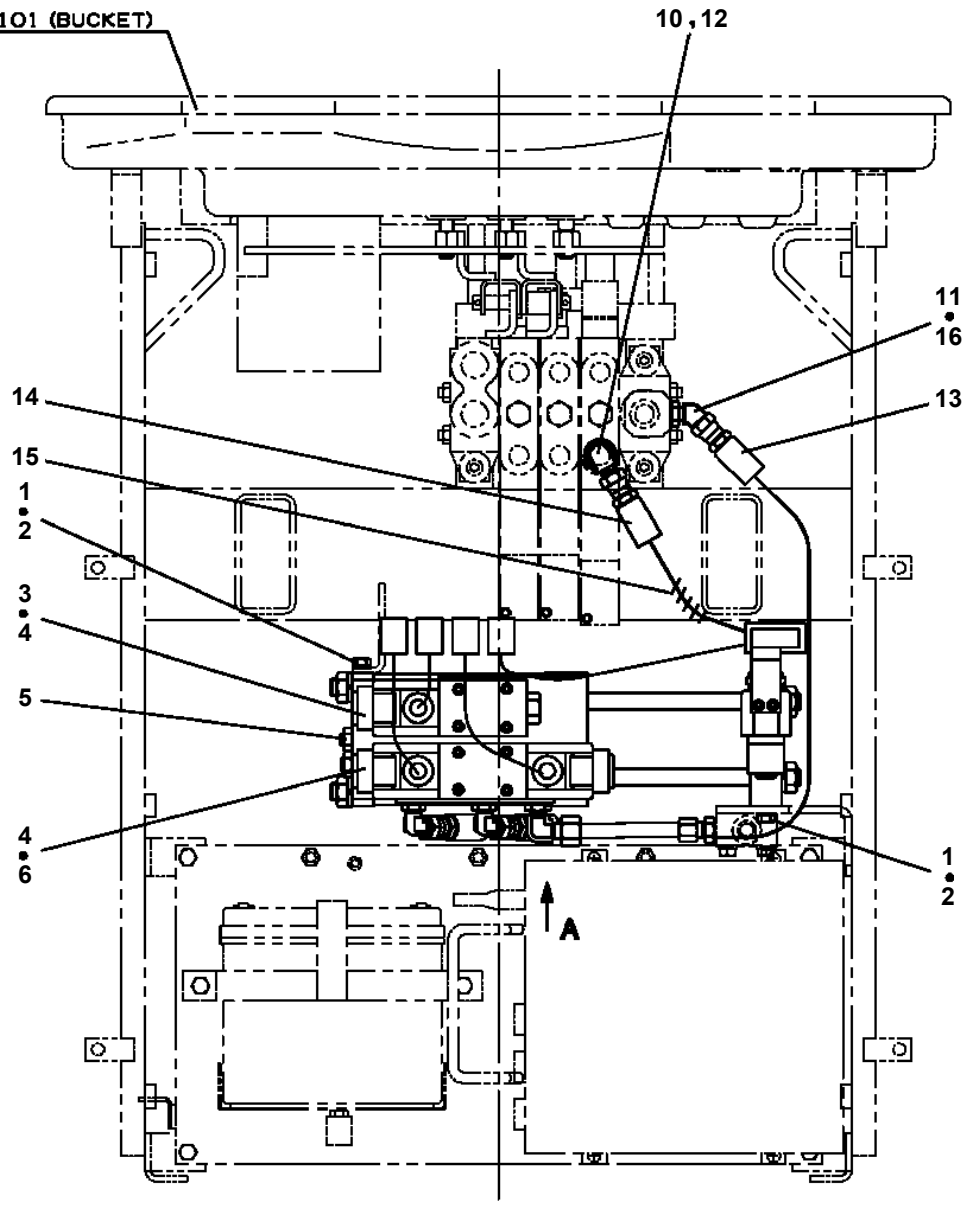
Pos No.	Parts No	Parts Name	Qty	Unit	Technical Data	Serial No (Start)	Serial No (End)	Remarks	Pages
1	42470121000	ARM ASSY	1						
2	42470122000	HOLDER	3						
3	42470123000	CLAMP ASSY	1						
4	42470044000	HOT STICK	1						
5	42475751001	SUPPORT	1						
6	90101216140	BOLT	1		M16X140				
7	90303071601	WASHER,PLAIN	2		16				
8	90201201600	NUT	2		M16				
9	42220011200	SUPPORT	1						
21	42470121100	ARM	1						
22	42470121200	CAP	2						

# AT-146-1 42095100037 UPPER

Pos No.	Parts No	Parts Name	Qty	Unit	Technical Data	Serial No (Start)	Serial No (End)	Remarks	Pages
1	42470121000	ARM ASSY	1						
2	42470421000	HOLDER	3						
3	42470123000	CLAMP ASSY	1						
4	42470044000	HOT STICK	1						
5	42476851000	SUPPORT	1						
6	90101216130	BOLT	1		M16X130				
7	90303071601	WASHER,PLAIN	2		16				
8	90201201600	NUT	2		M16				
9	42220011200	SUPPORT	1						
21	42470121100	ARM	1						
22	42470121200	CAP	2						

**AT-146-1 42095100037 UPPER  
PY1160096-00 BOOSTER (AIR&ELECTRIC)**

SEE FIG. PN101 (BUCKET)



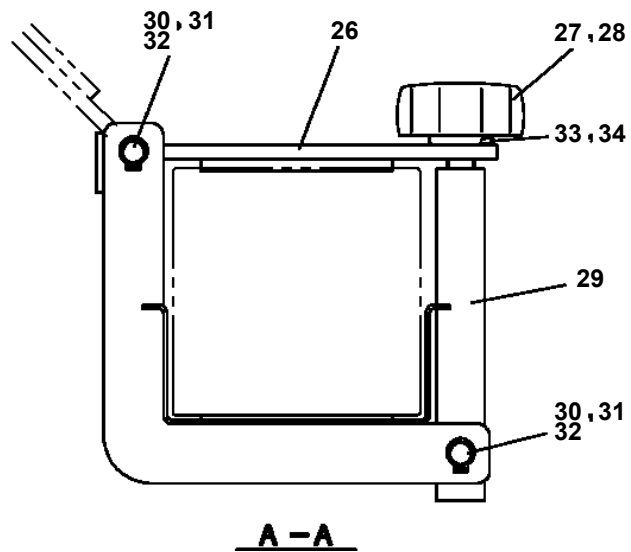
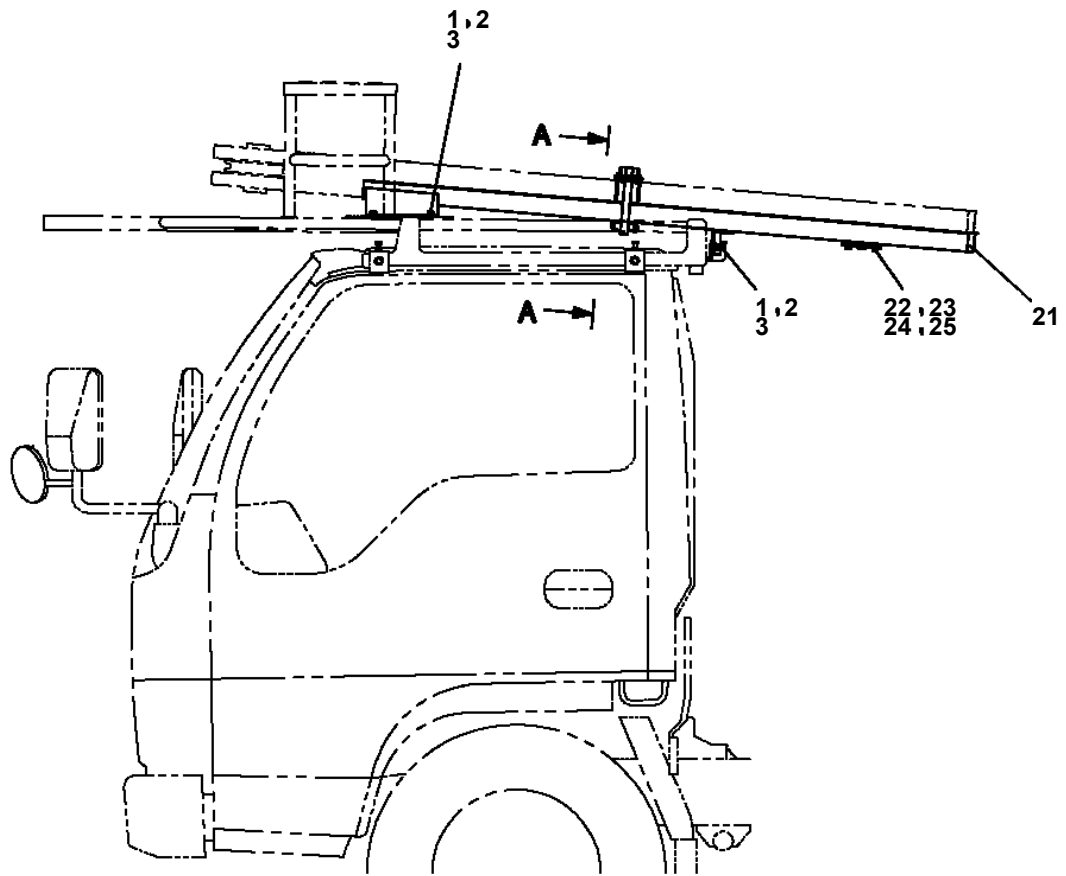
**AT-146-1 42095100037 UPPER  
PY1160154-00 BOOSTER (ELEC.,NANABOSHI)**

1	ブースタ BOOSTER
2	ブースタ (ハイセン) BOOSTER (ELEC.)
3	ブースタ (ハイカン) BOOSTER (PIPING)

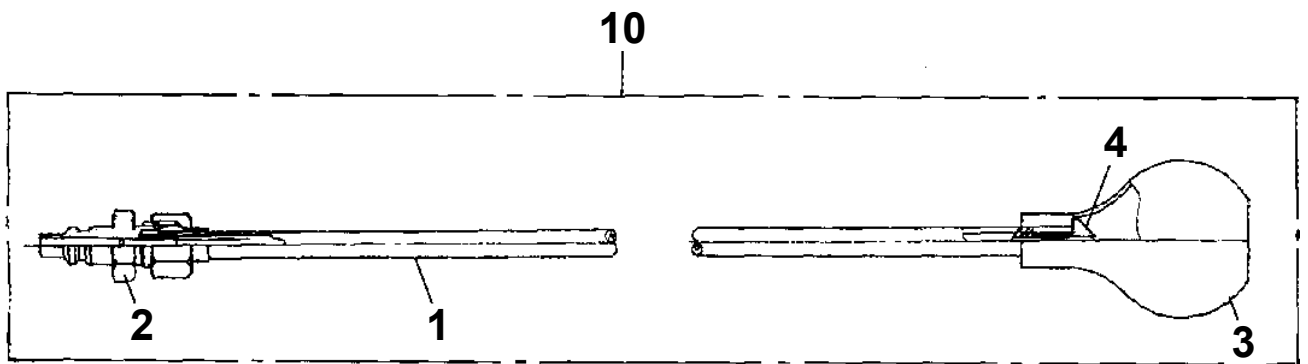
**AT-146-1 42095100037 UPPER  
PY1500032-00 SELECTOR,BOOSTER (ELEC.,NANABOSHI)**

1	ブースタ BOOSTER
2	ブースタ (ハイセン) BOOSTER (ELEC.)
3	ブースタ (ハイカン) BOOSTER (PIPING)

AT-146-1 42095100037 UPPER  
PY1550032-00 TOOL SUPPORT (JIB STOWING)

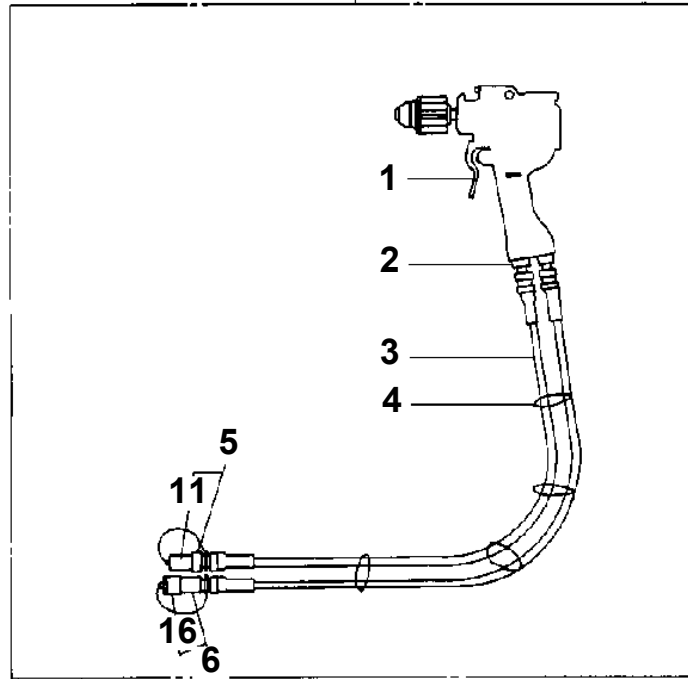


**AT-146-1 42095100037 UPPER  
PY1590005-01 HOSE,BOOSTER (SMALL,WITH AIR BALLOON)**

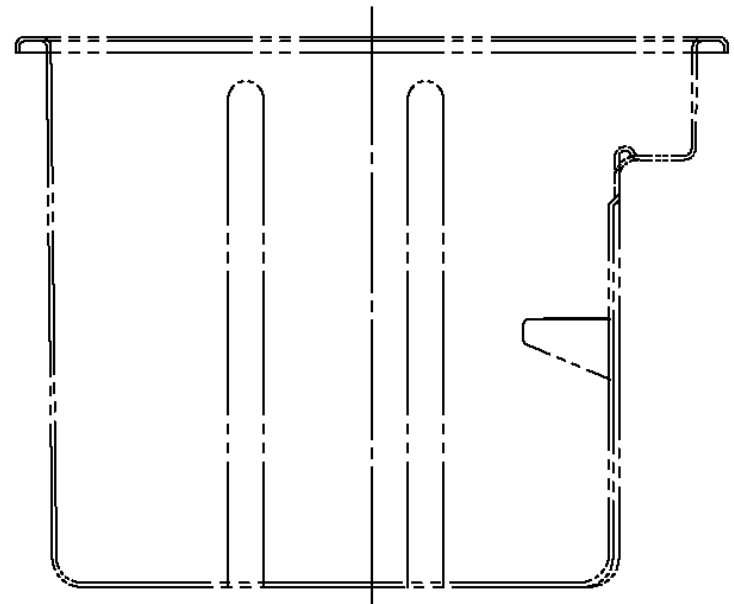
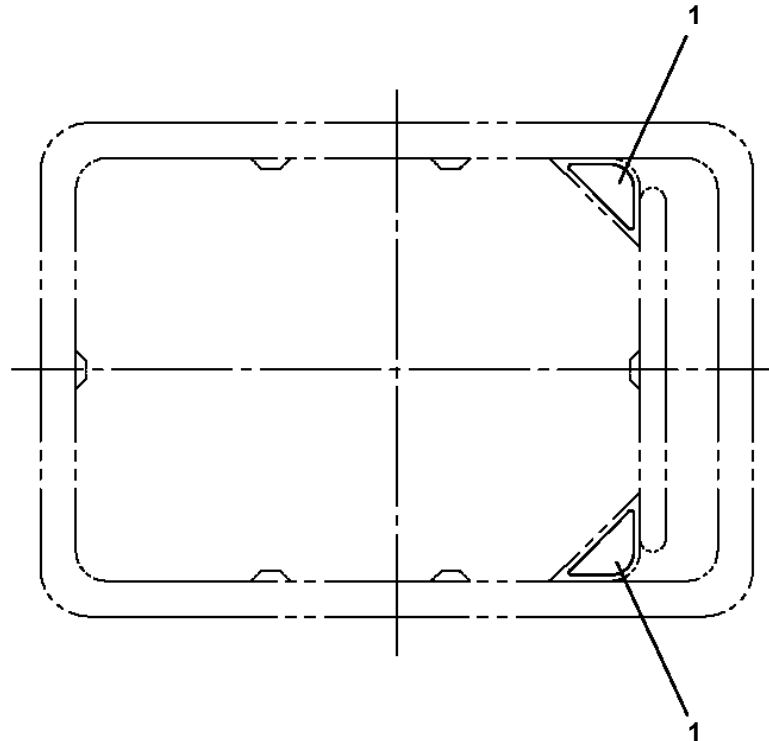


**AT-146-1 42095100037 UPPER  
PY1640000-01 DRIL, HYDRAULIC**

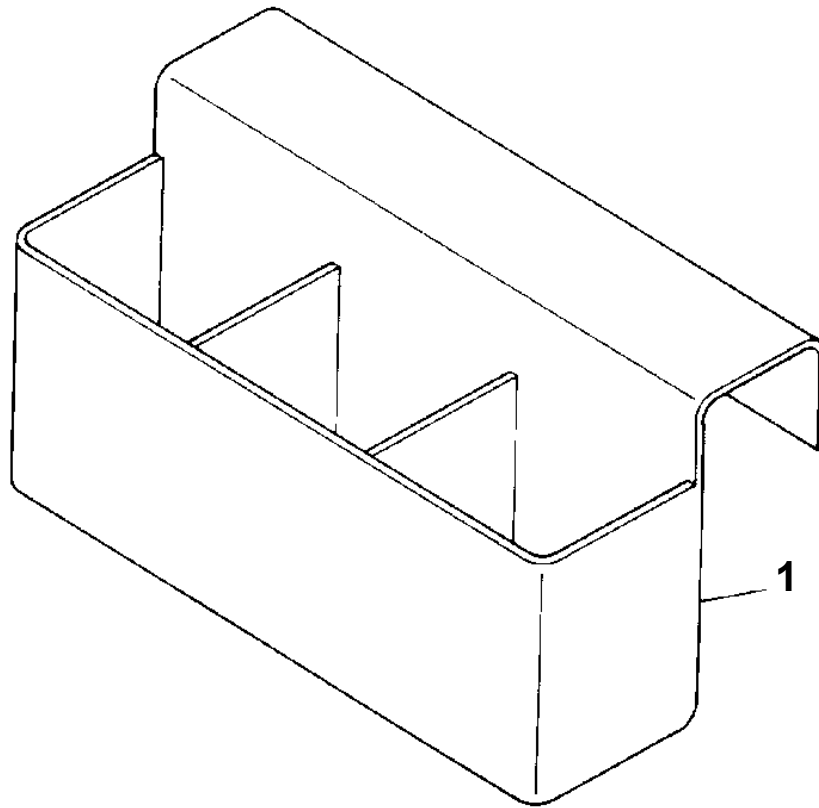
20



**AT-146-1 42095100037 UPPER  
PY1760004-00 STEP, BUCKET (NON SLIP)**



**AT-146-1 42095100037 UPPER  
PY2120000-00 BOX,TOOL (FOR BUCKET)**



CLICK HERE TO **DOWNLOAD** THE COMPLETE MANUAL

- Thank you very much for reading the preview of the manual.
- You can download the complete manual from: [www.heydownloads.com](http://www.heydownloads.com) by clicking the link below



- Please note: If there is no response to CLICKING the link, please download this PDF first and then click on it.

CLICK HERE TO **DOWNLOAD** THE COMPLETE MANUAL