

AT-145-1 42043241400 LOWER,ISUZU KC-NKR66E2N 5H

PO1000131-03 INDICATION PLATES

PX2000251-00 CARRIER UNIT

PX3000167-00 MOUNTING UNIT

PY1000805-00 OPTIONS,1

PY1000807-00 OPTIONS,2

ASSEMBLY

CLICK HERE TO **DOWNLOAD** THE COMPLETE MANUAL

- Thank you very much for reading the preview of the manual.
- You can download the complete manual from: www.heydownloads.com by clicking the link below



- Please note: If there is no response to CLICKING the link, please download this PDF first and then click on it.

CLICK HERE TO **DOWNLOAD** THE COMPLETE MANUAL

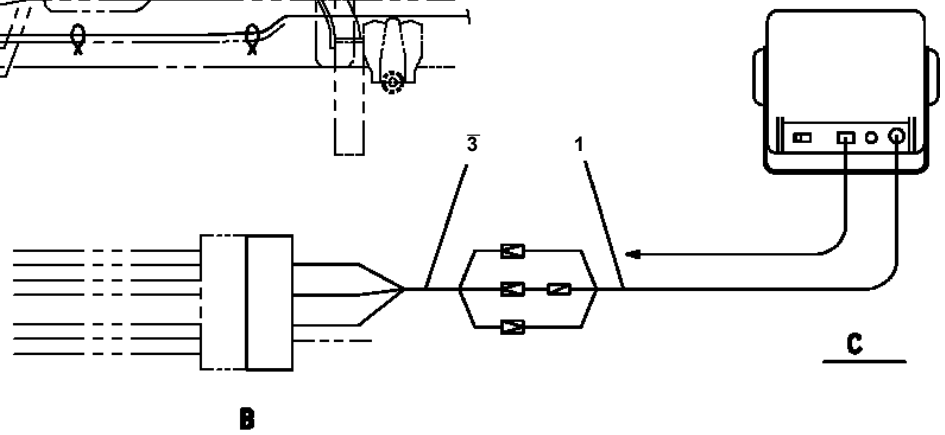
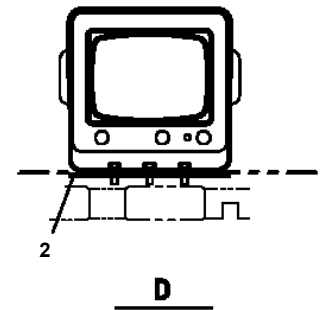
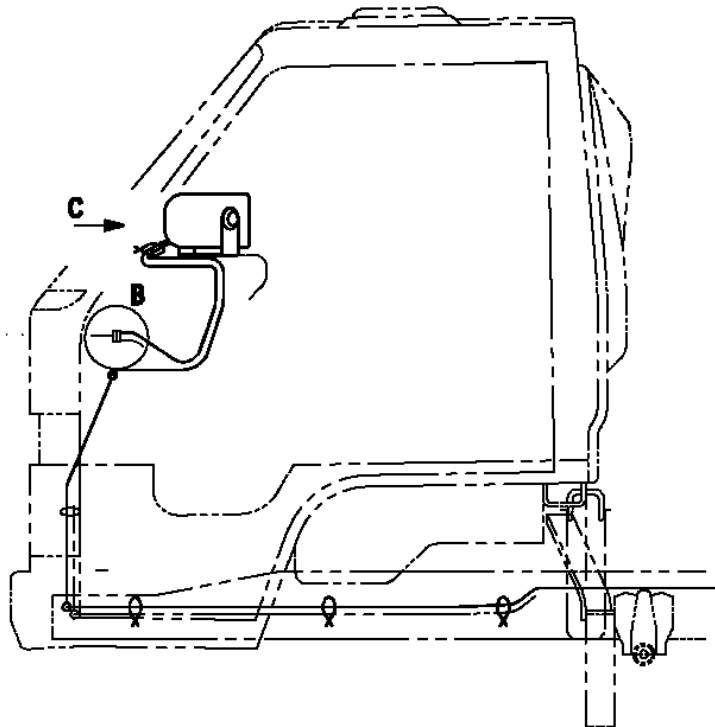
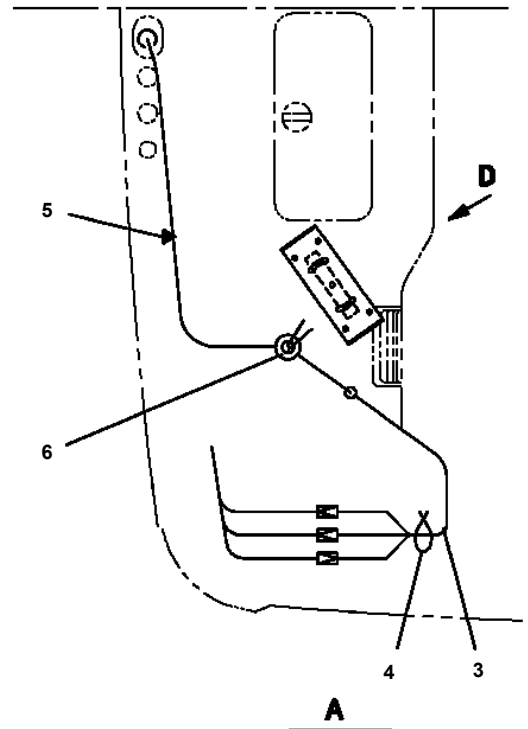
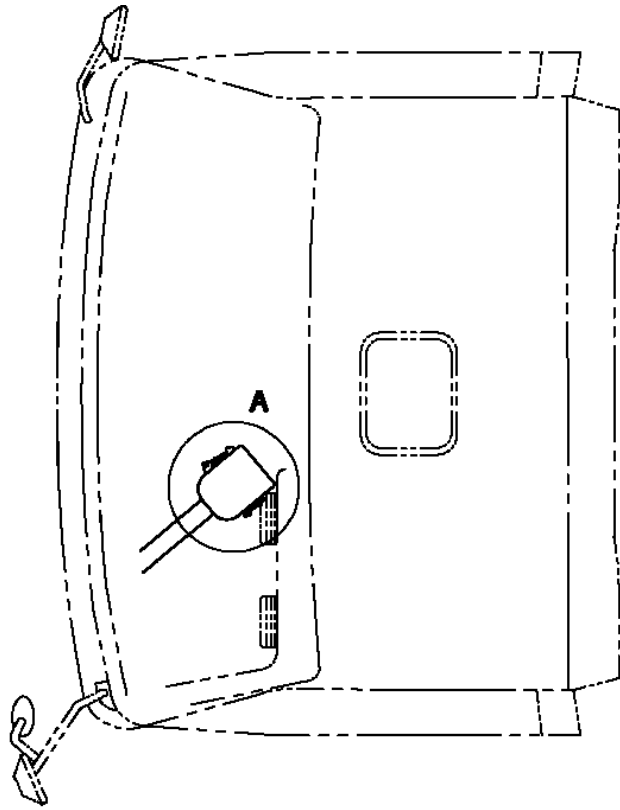
AT-145-1 42043241400 LOWER,ISUZU KC-NKR66E2N 5H

Pos No.	Parts No	Parts Name	Qty	Unit	Technical Data	Serial No (Start)	Serial No (End)
1	(*****)	LAMP (O/R FLICKER)	1				
2	42731680000	WOOD BLOCK (WITH RUBBER,T=80)	2				

AT-145-1 42043241400 LOWER,ISUZU KC-NKR66E2N 5H

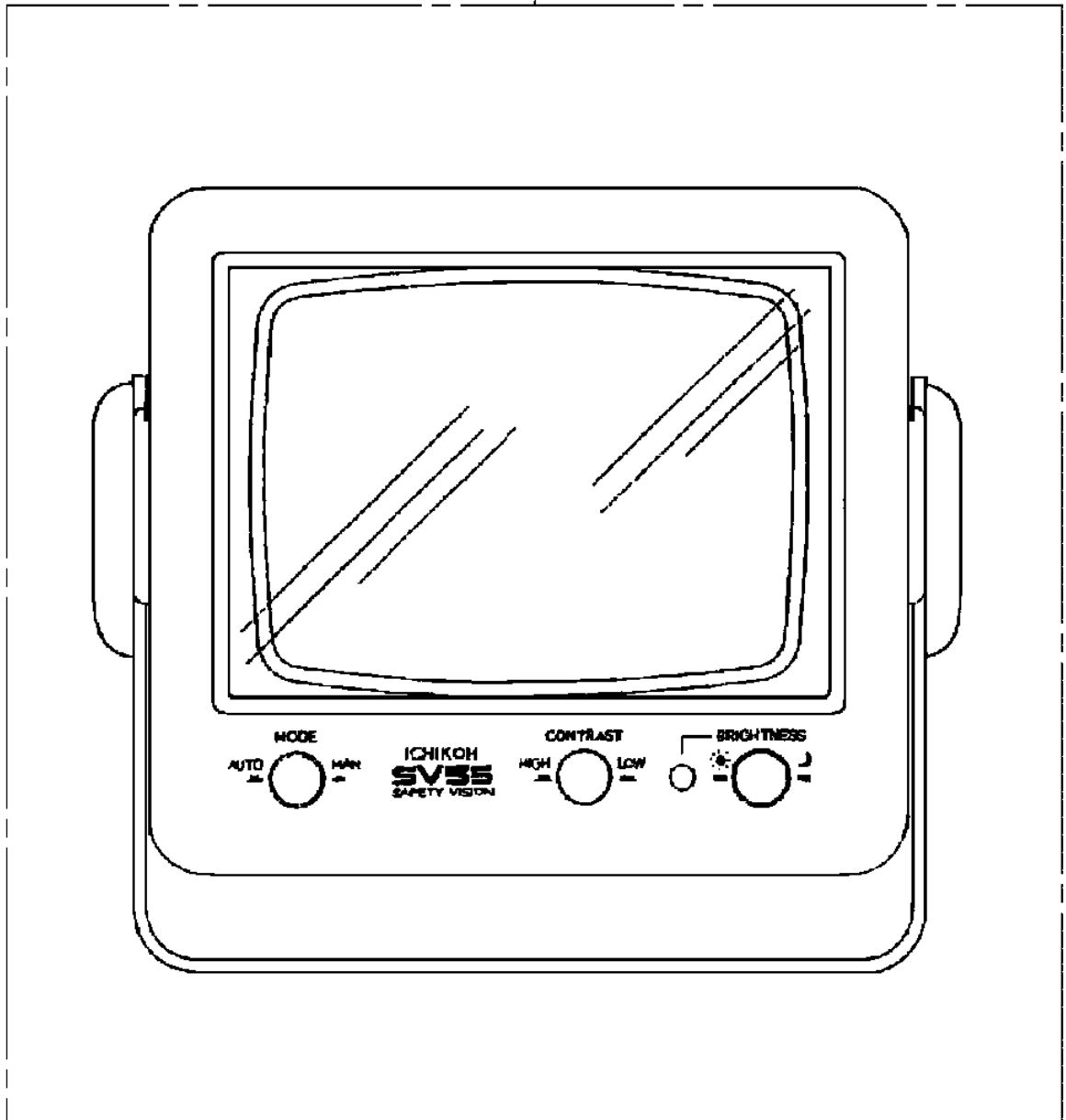
Pos No.	Parts No	Parts Name	Qty	Unit	Technical Data	Serial No (Start)	Serial No (End)	Remarks	Page
1	34880300290	HOSE	1		L=290				
2	37000805050	JOINT	1						
3	91803600160	CLIP	11		D=11-16				
4	37000803300	JOINT	1						
5	90201200800	NUT	3		M8				
6	37002511790	HOSE	1		L=600				
7	37000911190	JOINT	1						
8	42420254010	JOINT	1						
9	80307040020	JOINT,SOCKET	2						
10	82100002040	CLAMP	3		WE15				
11	90101206016	BOLT	2		M6X16				
12	90302040601	WASHER,SPRING	2		6				
13	42820500200	PUMP,FUEL	1						
14	90302040801	WASHER,SPRING	3		8				
15	37000913140	JOINT	1						
16	37000925540	JOINT	1						
17	37002511500	HOSE	1		8X1200				
18	82400000204	GROMMET	2		L=320				
31	42820507680	FILTER (REPAIR KIT)	1						

AT-145-1 42043241400 LOWER,ISUZU KC-NKR66E2N 5H
PH1700033-01 VIEW SYSTEM (MONITOR,ISUZU,ICHIKOH)

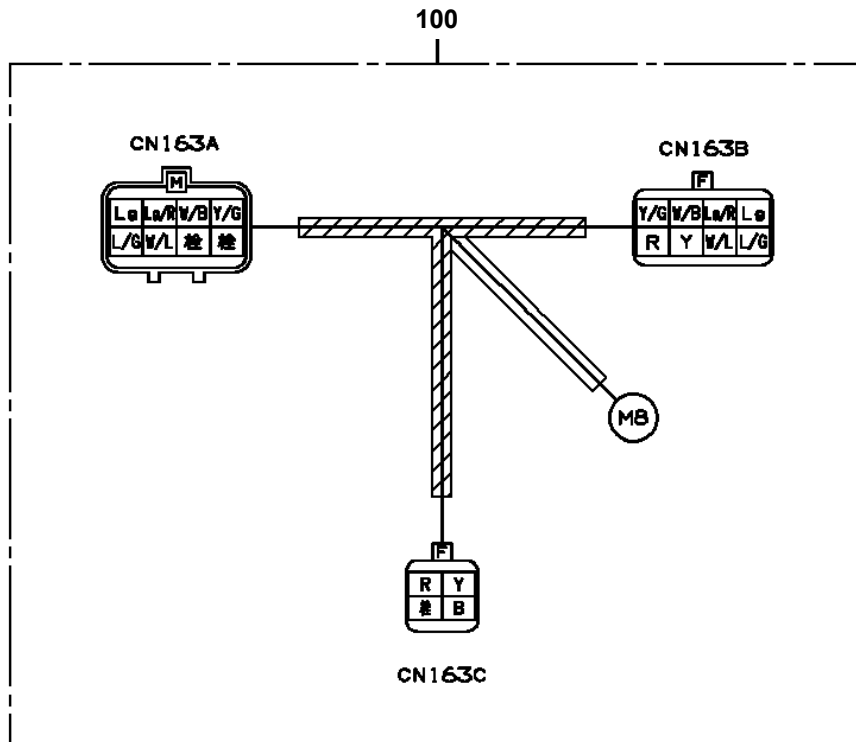


AT-145-1 42043241400 LOWER, ISUZU KC-NKR66E2N 5H
PH1710008-01 DISPLAY (MONITOR)

50



AT-145-1 42043241400 LOWER,ISUZU KC-NKR66E2N 5H
PH5032788-00 HARNESS



CLICK HERE TO **DOWNLOAD** THE COMPLETE MANUAL

- Thank you very much for reading the preview of the manual.
- You can download the complete manual from: www.heydownloads.com by clicking the link below



- Please note: If there is no response to CLICKING the link, please download this PDF first and then click on it.

CLICK HERE TO **DOWNLOAD** THE COMPLETE MANUAL

AT-145-1 42043241400 LOWER,ISUZU KC-NKR66E2N 5H

Pos No.	Parts No	Parts Name	Qty	Unit	Technical Data	Serial No (Start)	Serial No (End)	Remarks
9	36642665010	SPRING (C)	2				226731	
17	36645735010	CONNECTOR	1				226731	
18	36645025040	COIL	1				226731	
20	36642665060	WASHER	2				226731	
23	36645735030	O-RING	1				226731	
24	91002800900	O-RING	4		1B P9		226731	
25	91000501700	O-RING	1				226731	
26	36640565040	O-RING	2				226731	
27	91000501900	O-RING	2				226731	
30	36645885010	GUIDE KIT	1				226731	
191	36645881000	VALVE,SOLENOID	1			226732		
192	90131905045	BOLT,HEXAGON SOCKET	4		M5X45	226732		
200	36645880000	VALVE,SOLENOID	1					

AT-145-1 42043241400 LOWER,ISUZU KC-NKR66E2N 5H

Pos No.	Parts No	Parts Name	Qty	Unit	Technical Data	Serial No (Start)	Serial No (End)	Remarks	Page
102	36641687510	PLUG	1						
104	36641687520	RETAINER (A)	2						
105	36641687530	RETAINER (B)	2						
106	36641687540	RETAINER (C)	1						
107	36640175040	SPACER	4						
108	36641687550	SPRING (A)	1						
109	36641687560	SPRING (C)	1						
110	36642915020	NUT	1						
111	36641687570	ROD	1						
112	36641687580	GUIDE (SOLENOID)	1						
113	36646375050	COIL,SOLENOID	1						
116	91000501200	O-RING	4						
117	91001102000	O-RING	1		1A P20				
118	91002801800	O-RING	2		1B P18				
119	91001002500	O-RING	1		S25				
200	36645881000	VALVE,SOLENOID	1						

AT-145-1 42043241400 LOWER,ISUZU KC-NKR66E2N 5H

Pos No.	Parts No	Parts Name	Qty	Unit	Technical Data	Serial No (Start)	Serial No (End)	Rema
2	36160017530	WASHER,SPRING	1				227369	
3	36160017540	WASHER,PLAIN	1				227369	
4	36160017520	DRUM ASSY	1				227369	
5	36160017550	HANDLE	1					
6	36160655020	SHAFT	1					
7	36160017560	WASHER,PLAIN	1					
8	36160017570	PLATE (RING)	1				227369	
10	36160017590	PLATE (CONTACT)	1					
50	36160370000	REEL,CORD (FOR EARTHING)	1					

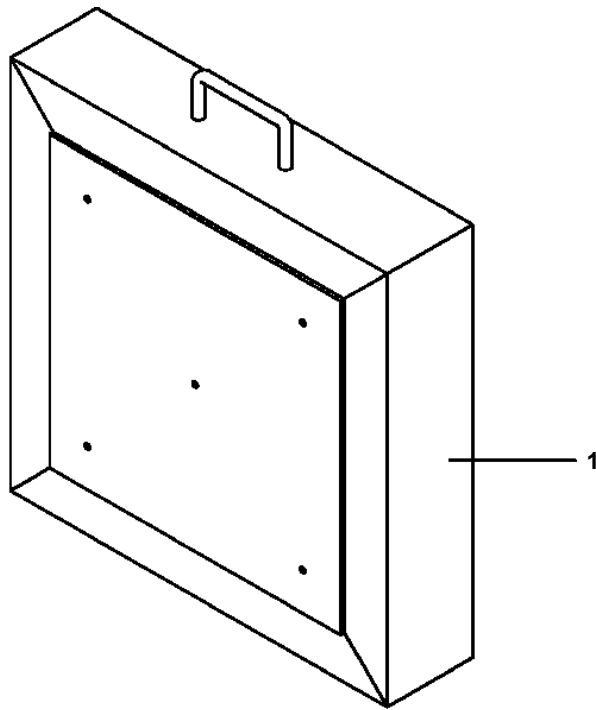
AT-145-1 42043241400 LOWER,ISUZU KC-NKR66E2N 5H

Pos No.	Parts No	Parts Name	Qty	Unit	Technical Data	Serial No (Start)	Serial No (End)	Rem
1	42460015010	BAG,TOOL	1					
2	91991510003	HEXAGON BARWRENCH (G3)	1					
3	91991510004	HEXAGON BARWRENCH (G4)	1					
4	91991510005	HEXAGON BARWRENCH (G5)	1					
5	91991510006	HEXAGON BARWRENCH (G6)	1					
6	91991510008	HEXAGON BARWRENCH (G8)	1					
7	91991510010	HEXAGON BARWRENCH (G10)	1					
8	91991310024	SPANNER	1		24			
50	42473401000	TOOLS	1					

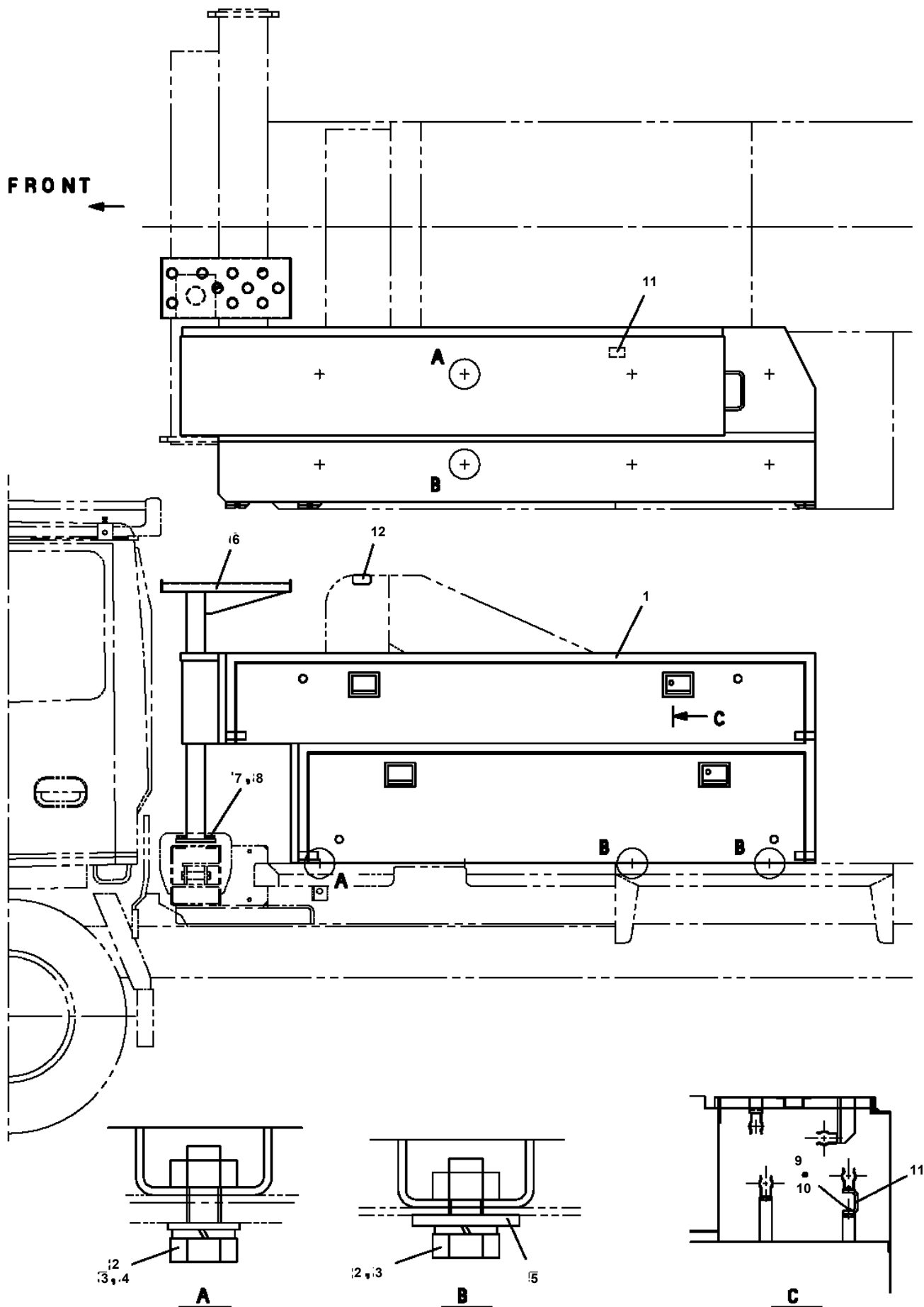
AT-145-1 42043241400 LOWER,ISUZU KC-NKR66E2N 5H

Pos No.	Parts No	Parts Name	Qty	Unit	Technical Data	Serial No (Start)	Serial No (End)	Remarks	Pages
1	42872380100	SUPPORT ASSY	1						
2	42872001100	CUSHION	1						
3	80182308016	SCREW,MACHINE	4		M8X16				
4	90302040801	WASHER,SPRING	4		8				

AT-145-1 42043241400 LOWER,ISUZU KC-NKR66E2N 5H
PX1270075-01 WOOD BLOCK (WITH RUBBER,T=80)



**AT-145-1 42043241400 LOWER,ISUZU KC-NKR66E2N 5H
PX1350270-00 BOX,TOOL (YONDEN&YONDENKO)**



CLICK HERE TO **DOWNLOAD** THE COMPLETE MANUAL

- Thank you very much for reading the preview of the manual.
- You can download the complete manual from: www.heydownloads.com by clicking the link below



- Please note: If there is no response to CLICKING the link, please download this PDF first and then click on it.

CLICK HERE TO **DOWNLOAD** THE COMPLETE MANUAL